



ދިވެހިރާއްޖޭގެ ސަރުކާރުގެ ގެޒެޓް ގައި ހިމެނޭ ފަރާތްތަކުގެ ނަންބަރު 170-PR/170/2023/44
އިތުރު ފަންޓް ގައި ހިމެނޭ ފަރާތްތަކުގެ ނަންބަރު 20 ގައި ހިމެނޭ ފަރާތްތަކުގެ ނަންބަރު 20
އިތުރު ފަންޓް ގައި ހިމެނޭ ފަރާތްތަކުގެ ނަންބަރު 20

މަޢުލޫމާތު ޖަލްދު 170

މަޢުލޫމާތު ޖަލްދު 170: (IUL)170-PR/170/2023/44

މަޢުލޫމާތު ޖަލްދު 170: 20 ގައި ހިމެނޭ ފަރާތްތަކުގެ ނަންބަރު 20

މަޢުލޫމާތު ޖަލްދު 170: 20 ގައި ހިމެނޭ ފަރާތްތަކުގެ ނަންބަރު 20
މަޢުލޫމާތު ޖަލްދު 170: 20 ގައި ހިމެނޭ ފަރާތްތަކުގެ ނަންބަރު 20



<p>3.3.2</p> <p>...</p>	<p>3.3.2</p>		
<p>3.3.3</p> <p>...</p>	<p>3.3.3</p>		
<p>4.1</p> <p>...</p>	<p>4.1</p>	<p>4.1</p>	<p>4.1</p>
<p>5.1</p> <p>...</p>	<p>5.1</p>	<p>5.1</p>	<p>5.1</p>
<p>6.1</p> <p>...</p>	<p>6.1</p>	<p>6.1</p>	<p>6.1</p>
<p>(س) ...</p>			
<p>7.1</p> <p>...</p>	<p>7.1</p>	<p>7.1</p>	<p>7.1</p>
<p>7.1.1</p> <p>...</p>	<p>7.1.1</p>		
<p>7.1.2</p> <p>...</p>	<p>7.1.2</p>		
<p>7.1.3</p> <p>...</p>	<p>7.1.3</p>		
<p>7.1.4</p> <p>...</p>	<p>7.1.4</p>		
<p>7.1.5</p> <p>...</p>	<p>7.1.5</p>		
<p>8.1</p> <p>...</p>	<p>8.1</p>	<p>8.1</p>	<p>8.1</p>



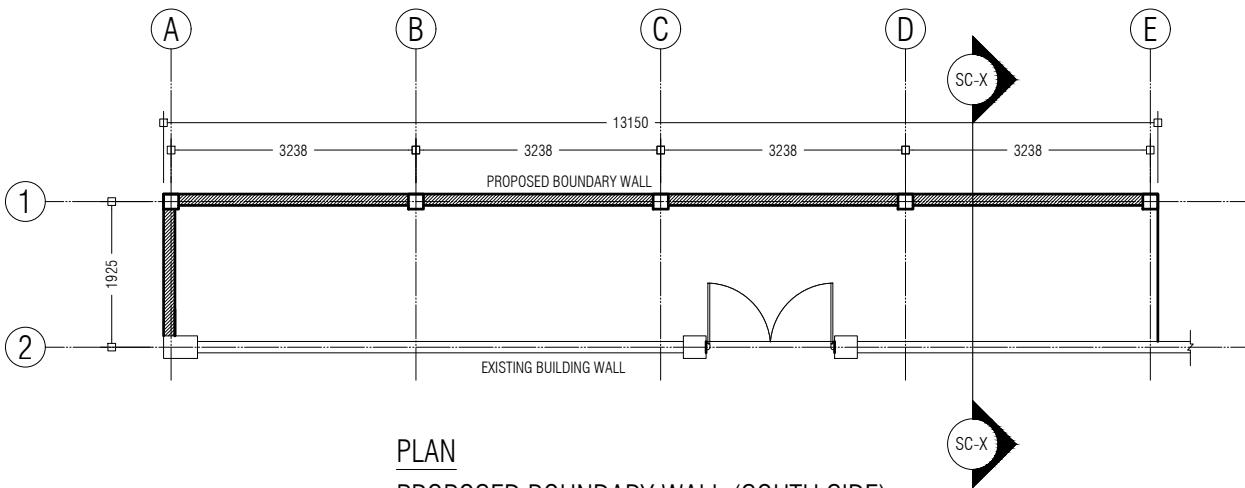
9.1	9.2	9.1	9.1
9.1	9.2	9.1	9.1
10.1	10.1	10.1	10.1
		(س) 9.1	
11.1	11.1	11.1	11.1
12.1	12.1	12.1	12.1
13.1	13.1	13.1	13.1
		(ب) 13.1	
14.1	14.1	14.1	14.1
14.2	14.2	14.2	14.2
15.1	15.1	15.1	15.1
16.1	16.1	16.1	16.1
16.2	16.2	16.2	16.2
		(ج) 16.2	
17.1	17.1	17.1	17.1
17.2	17.2	17.2	17.2



<p>22-2</p> <p>...</p>	<p>22-2</p>	
<p>23-1</p> <p>...</p>	<p>23-1</p>	<p>23. 23 </p>
<p>23-2</p> <p>...</p>	<p>23-2</p>	
<p>23-3</p> <p>...</p>	<p>23-3</p>	
<p>23-4</p> <p>...</p>	<p>23-4</p>	
<p>23-5</p> <p>...</p>	<p>23-5</p>	
<p>24-1</p> <p>...</p>	<p>24-1</p>	<p>24. 24 </p>
<p>24-2</p> <p>...</p>	<p>24-2</p>	
<p>25-1</p> <p>...</p>	<p>25-1</p>	<p>25. 25 </p>



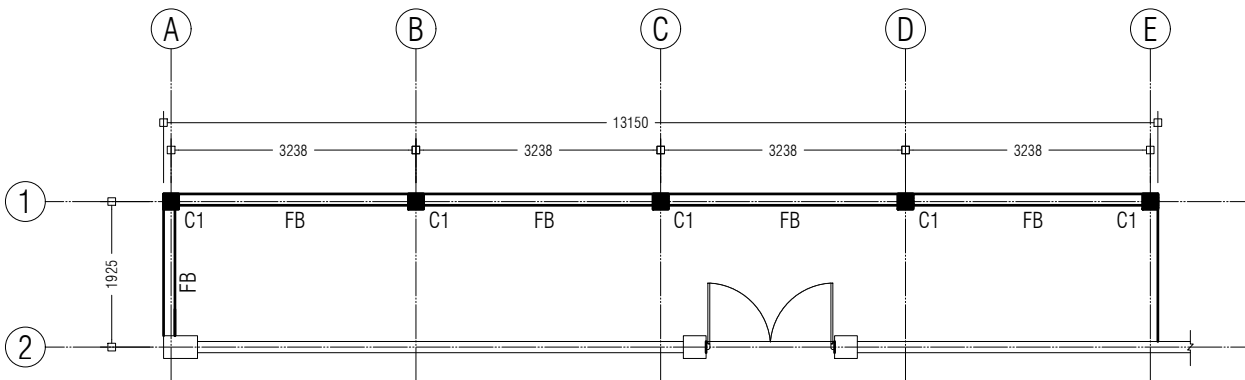
<p>35. 35.1 36. 36.1 37. 37.1 38. 38.1 38.2</p>	<p>35-1 36-1 37-1 38-1 38-2</p>	<p>35. 36. 37. 38.</p>
---	---	------------------------



PLAN

PROPOSED BOUNDARY WALL (SOUTH SIDE)

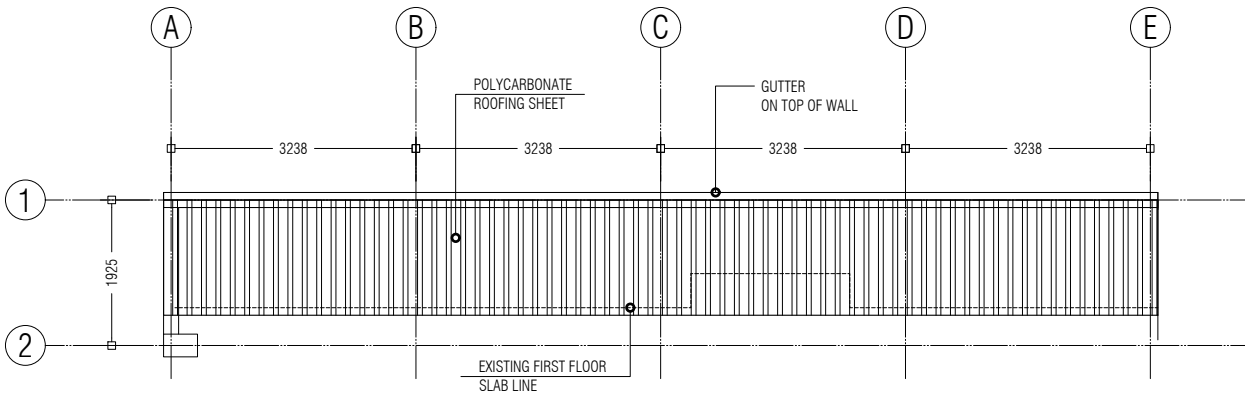
Scale 1:100



FOUNDATION PLAN

PROPOSED BOUNDARY WALL (SOUTH SIDE)

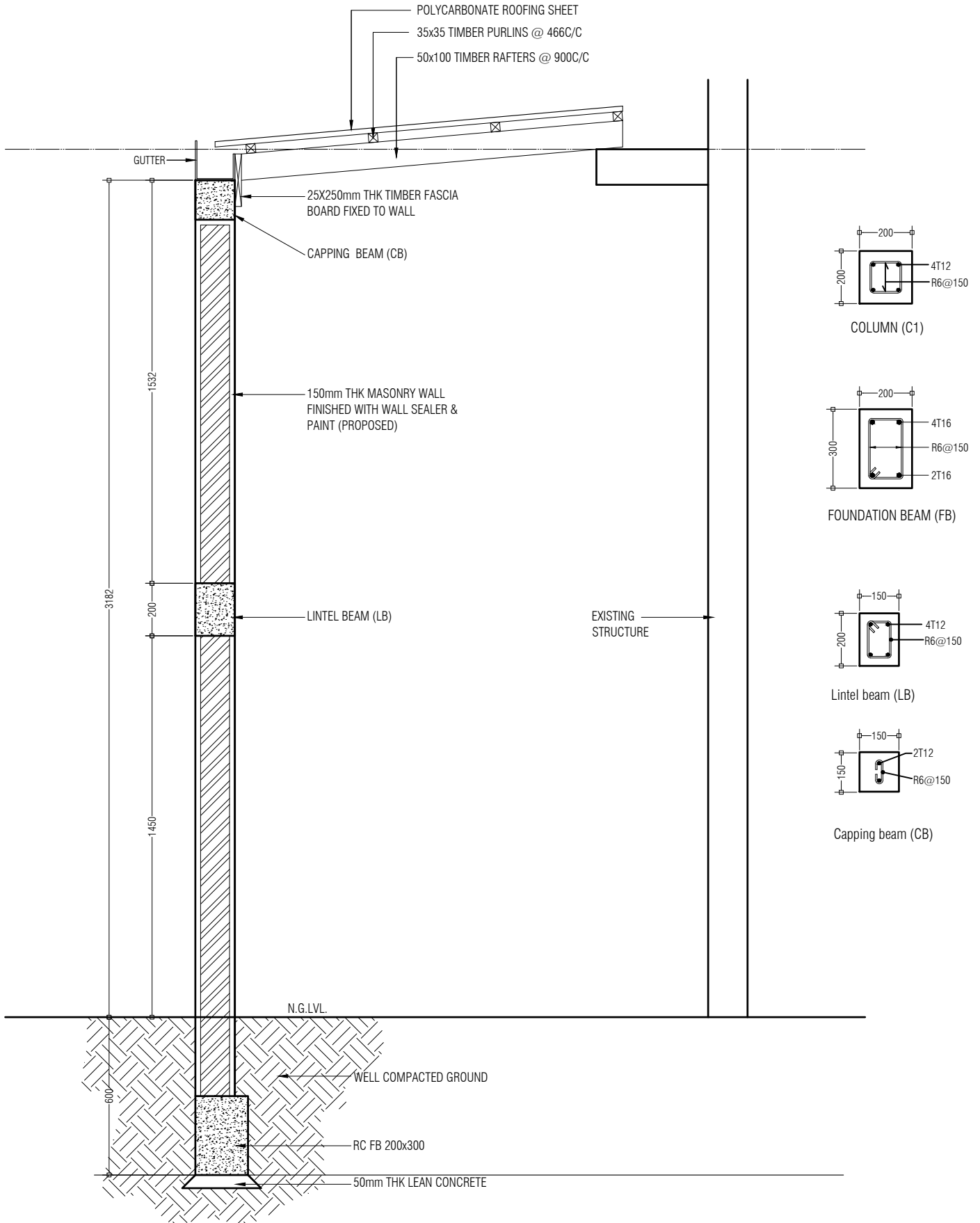
Scale 1:100



ROOF PLAN

PROPOSED BOUNDARY WALL (SOUTH SIDE)

Scale 1:100



BOUNDARY WALL DETAIL

Scale 1:20