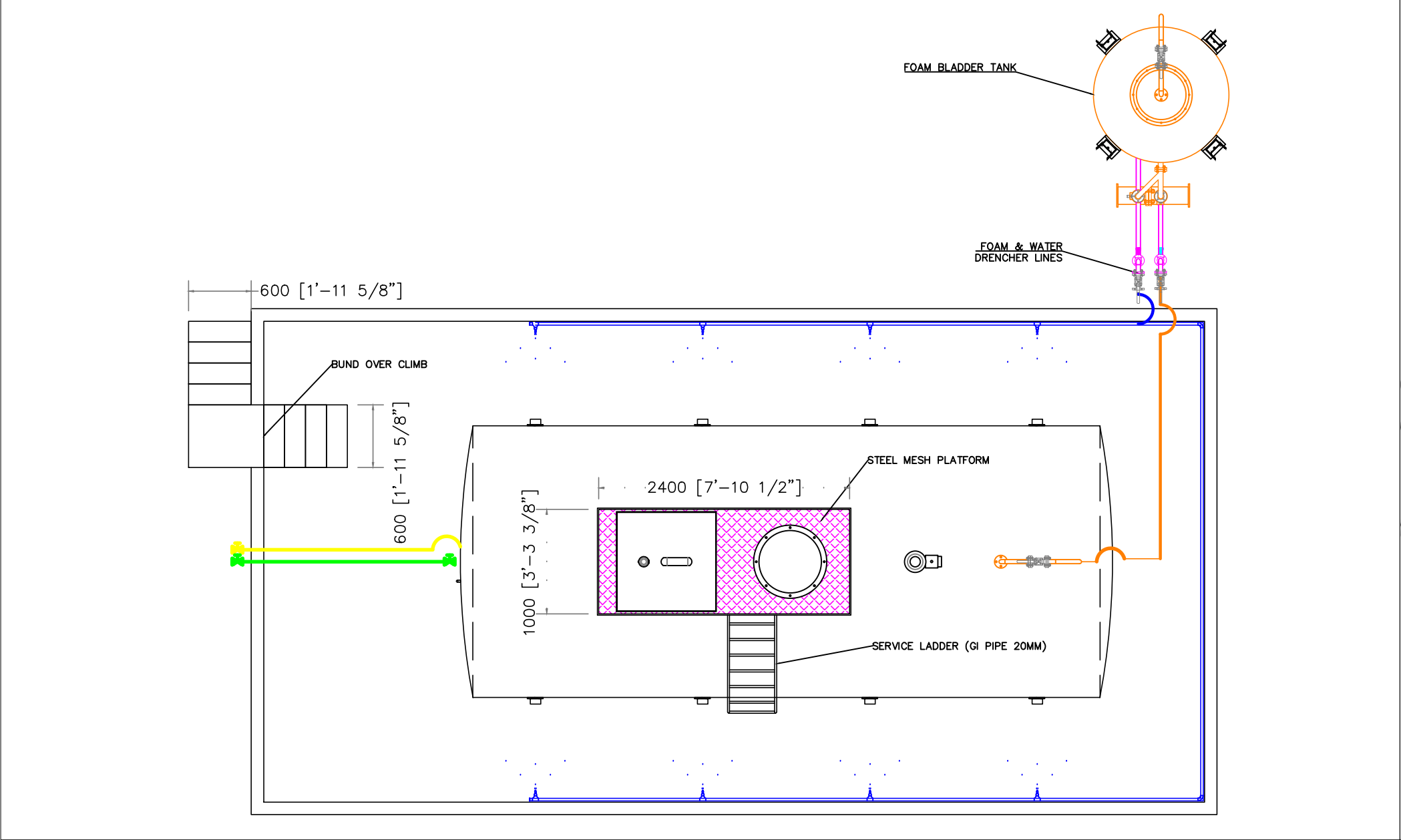
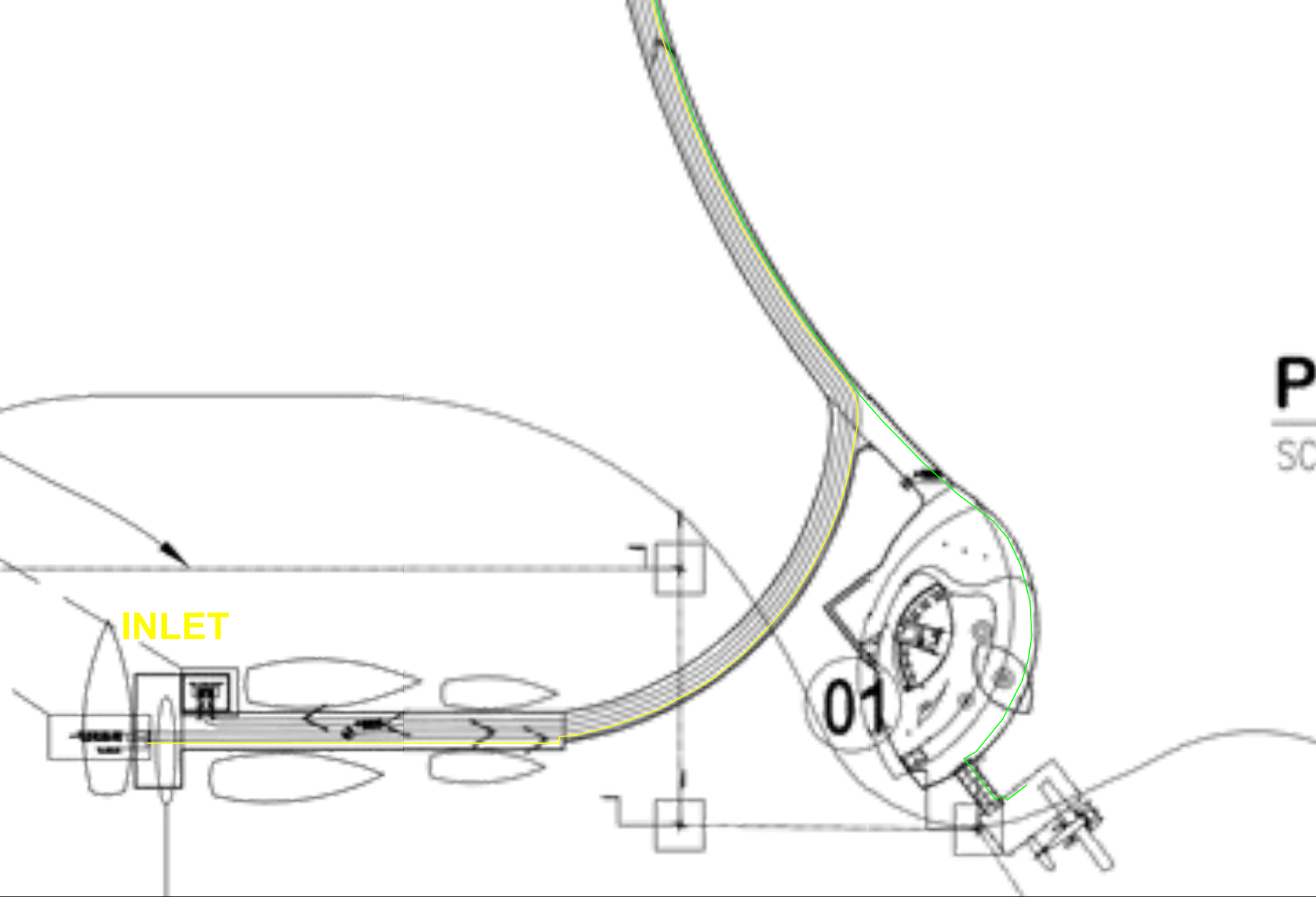
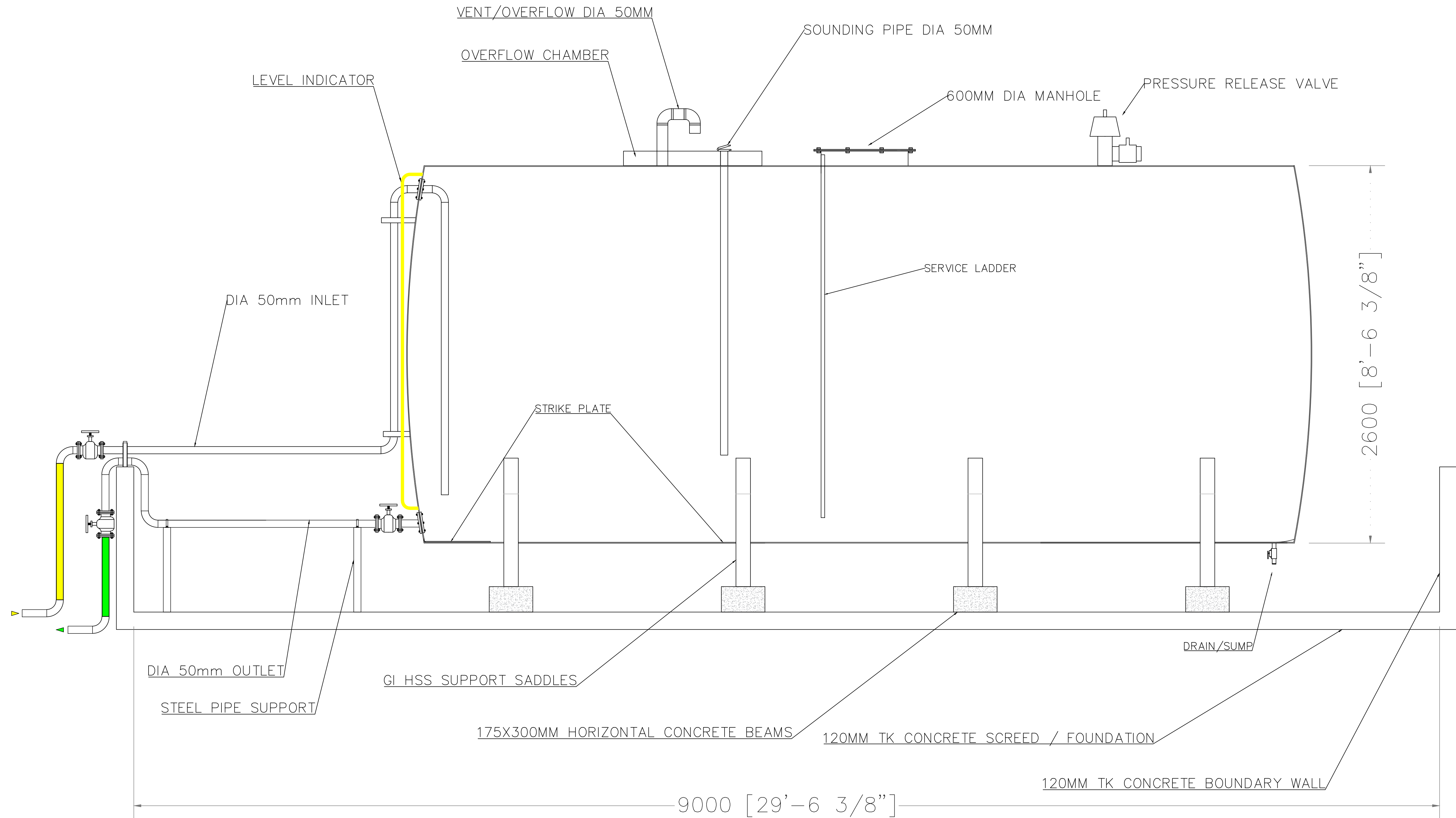


75mm PETROL PIPE  
 75mm DIESEL PIPE  
 50mm PETROL PIPE  
 50mm DIESEL PIPE



<b>MDI JET-A1 STORAGE SETUP</b>			owner
FACILITIES SERVICES			ISLAND AVIATION SERVICES LTD.
Project	MDI JET-A1 STORAGE SETUP	Created by	IA
Date	MAY 2022	Scale	N/A
Sheet			1

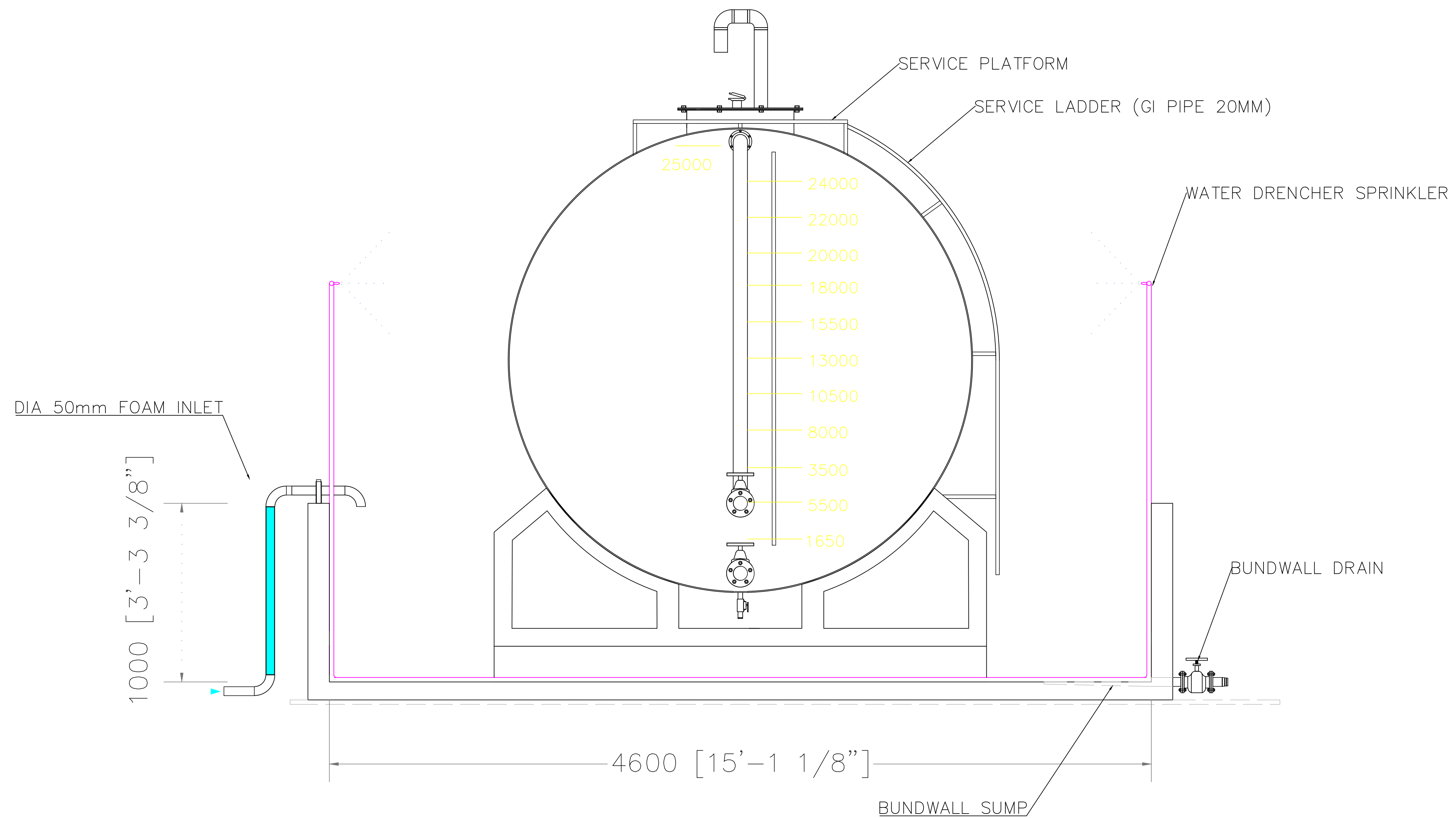




**SIDE ELEVATION**

GENERAL SPECIFICATION: OVERAL INTERNAL VOLUMN APPROX. 31800LTRS  
 JET-A1 VOLUME APPROX. 25700LTRS  
 TANK : STEEL CYLINDRICAL  
 MINIMUM THICKNESS: 6MM  
 INTERNAL EPOXY PAINT FOR JET-A1  
 EXTERNAL EPOXY WEATHER COAT

<b>MDI JET-A1 STORAGE SETUP</b>		<small>owner</small> FACILITIES SERVICES ISLAND AVIATION SERVICES LTD.		
<small>Project</small>	MDI JET-A1 STORAGE SETUP	<small>Sheet</small>	2	
<small>Date</small>	MAY 2022	<small>Created by</small>		IA
<small>Scale</small>	N/A			



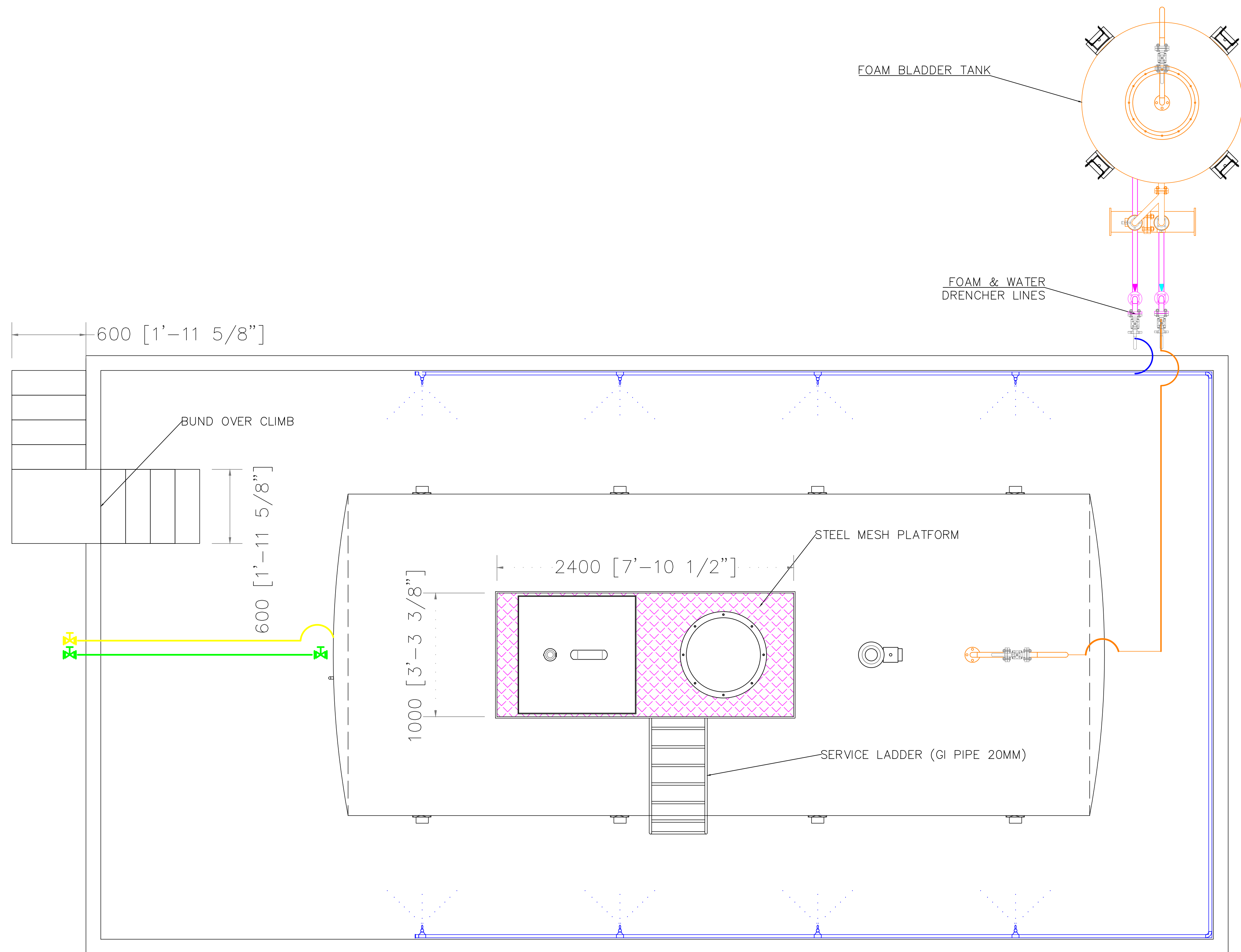
# FRONT ELEVATION

GENERAL SPECIFICATION: OVERAL INTERNAL VOLUMN APPROX. 31800LTRS  
 JET-A1 VOLUME APPROX. 25700LTRS  
 TANK : STEEL CYLINDRICAL  
 MINIMUM THICKNESS: 6MM  
 INTERNAL EPOXY PAINT FOR JET-A1  
 EXTERNAL EPOXY WEATHER COAT

## MDI JET-A1 STORAGE SETUP

owner  
 FACILITIES SERVICES  
 ISLAND AVIATION SERVICES LTD.

Project	MDI JET-A1 STORAGE SETUP	Sheet	3	
Date	MAY 2022	Created by		IA
Scale	N/A			



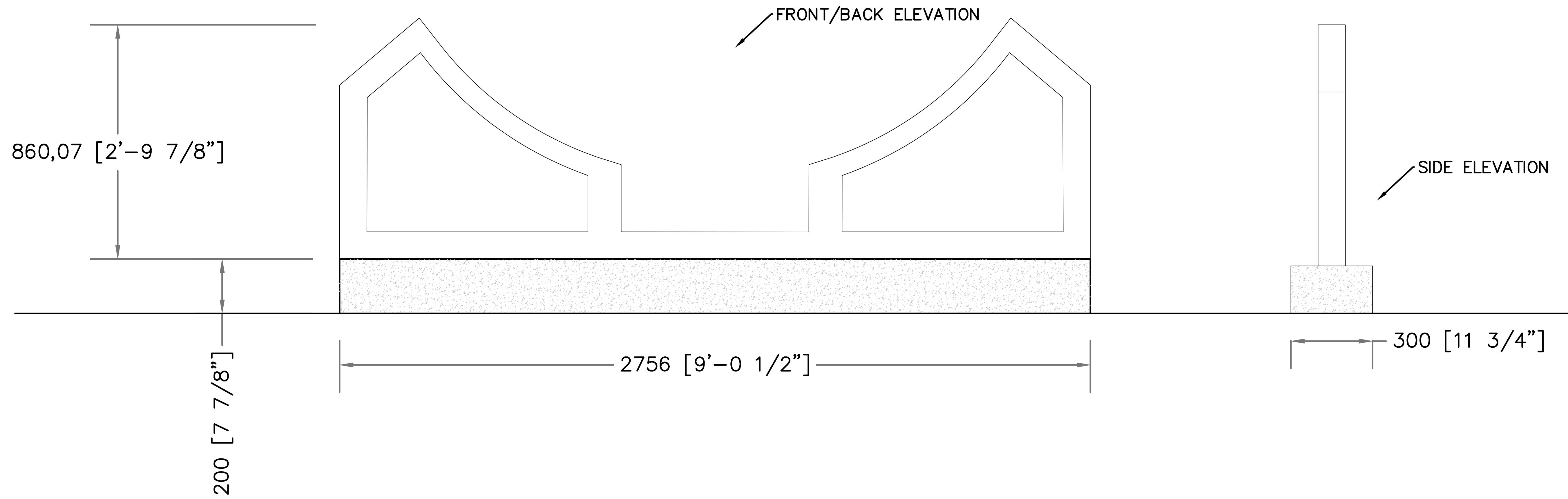
# FIRE SAFETY TENTATIVE LAYOUT

GENERAL SPECIFICATION: OVERAL INTERNAL VOLUMN APPROX. 31800LTRS  
 JET-A1 VOLUME APPROX. 25700LTRS  
 TANK : STEEL CYLINDRICAL  
 MINIMUM THICKNESS: 6MM  
 INTERNAL EPOXY PAINT FOR JET-A1  
 EXTERNAL EPOXY WEATHER COAT

## MDI JET-A1 STORAGE SETUP

owner  
 FACILITIES SERVICES  
 ISLAND AVIATION SERVICES LTD.

Project	MDI JET-A1 STORAGE SETUP	Sheet	4	
Date	MAY 2022	Created by		IA
Scale	N/A			



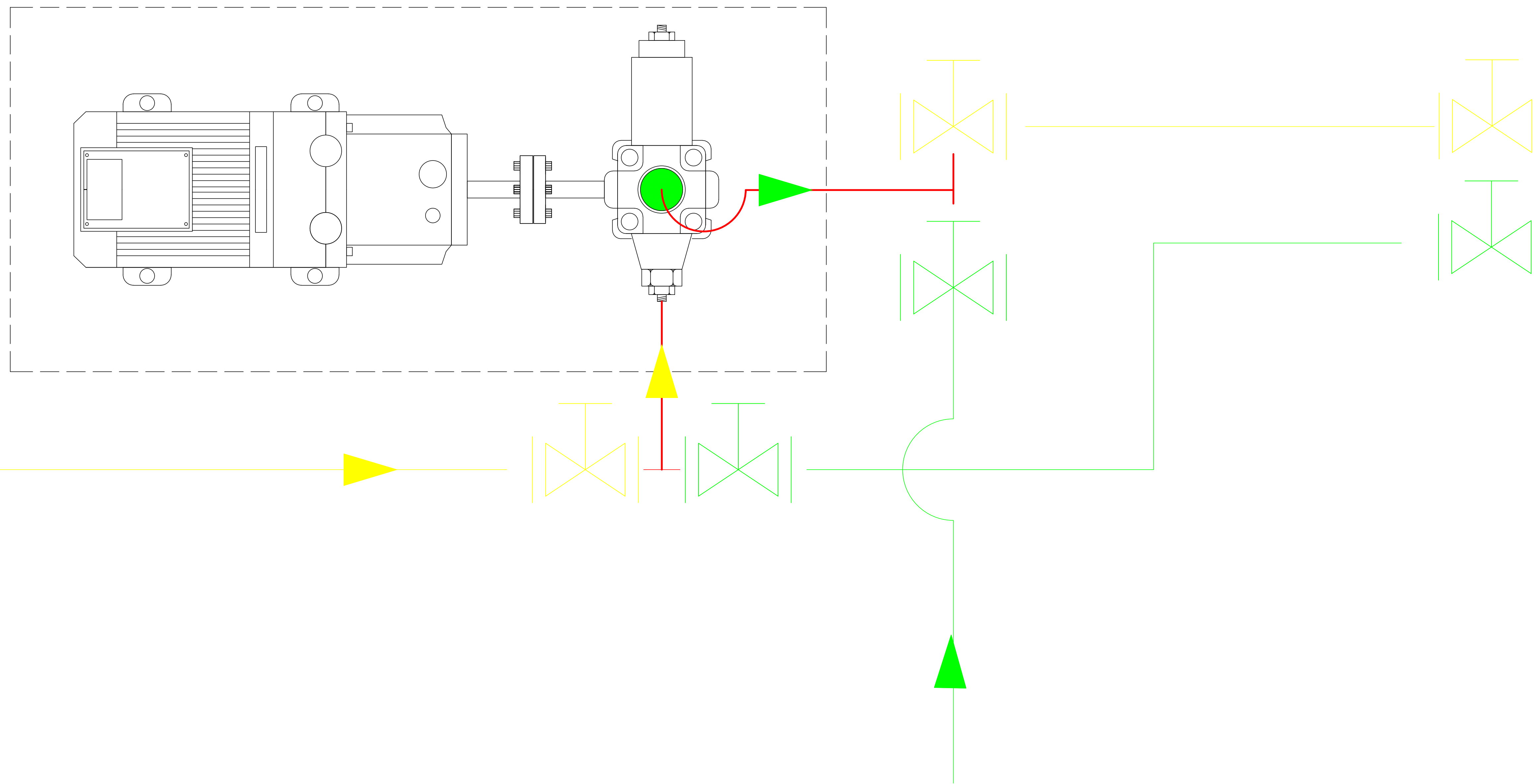
## TANK SUPPORT SADDLE

GENERAL SPECIFICATION: OVERAL INTERNAL VOLUMN APPROX. 31800LTRS  
 JET-A1 VOLUME APPROX. 25700LTRS  
 TANK : STEEL CYLINDRICAL  
 MINIMUM THICKNESS: 6MM  
 INTERNAL EPOXY PAINT FOR JET-A1  
 EXTERNAL EPOXY WEATHER COAT

## MDI JET-A1 STORAGE SETUP

owner  
 FACILITIES SERVICES  
 ISLAND AVIATION SERVICES LTD.

Project	MDI JET-A1 STORAGE SETUP	Sheet	5	
Date	MAY 2022	Created by		IA
Scale	N/A			



## PUMP CONNECTION PLAN

GENERAL SPECIFICATION: OVERAL INTERNAL VOLUMN APPROX. 31800LTRS  
 JET-A1 VOLUME APPROX. 25700LTRS  
 TANK : STEEL CYLINDRICAL  
 MINIMUM THICKNESS: 6MM  
 INTERNAL EPOXY PAINT FOR JET-A1  
 EXTERNAL EPOXY WEATHER COAT

## MDI JET-A1 STORAGE SETUP

owner  
 FACILITIES SERVICES  
 ISLAND AVIATION SERVICES LTD.

Project	MDI JET-A1 STORAGE SETUP	Sheet	6
Date	MAY 2022	Created by	IA
Scale	N/A		