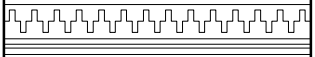


DHOONIDHOO FUTSAL GROUND

ARCHITECTURAL & STRUCTURAL DRAWINGS

DATE: 24-MARCH-2022



PROJECT TITLE:
DHOONIDHOO FUTSAL GROUND

THE DRAWINGS, CONCEPT AND DESIGN CONTAINED AREA THE PROPERTIES OF MALDIVES POLICE SERVICE. USE OF ANY KIND OR COPY OF WHOLE OR PART OF THIS DRAWING CONCEPT OR DESIGN OR USE ON OTHER PROJECTS OR SITES OTHER THAN THAT SPECIFIED ON THIS DRAWINGS IS STRICTLY PROHIBITED

ARCHITECT/DESIGNER DRAFTED BY

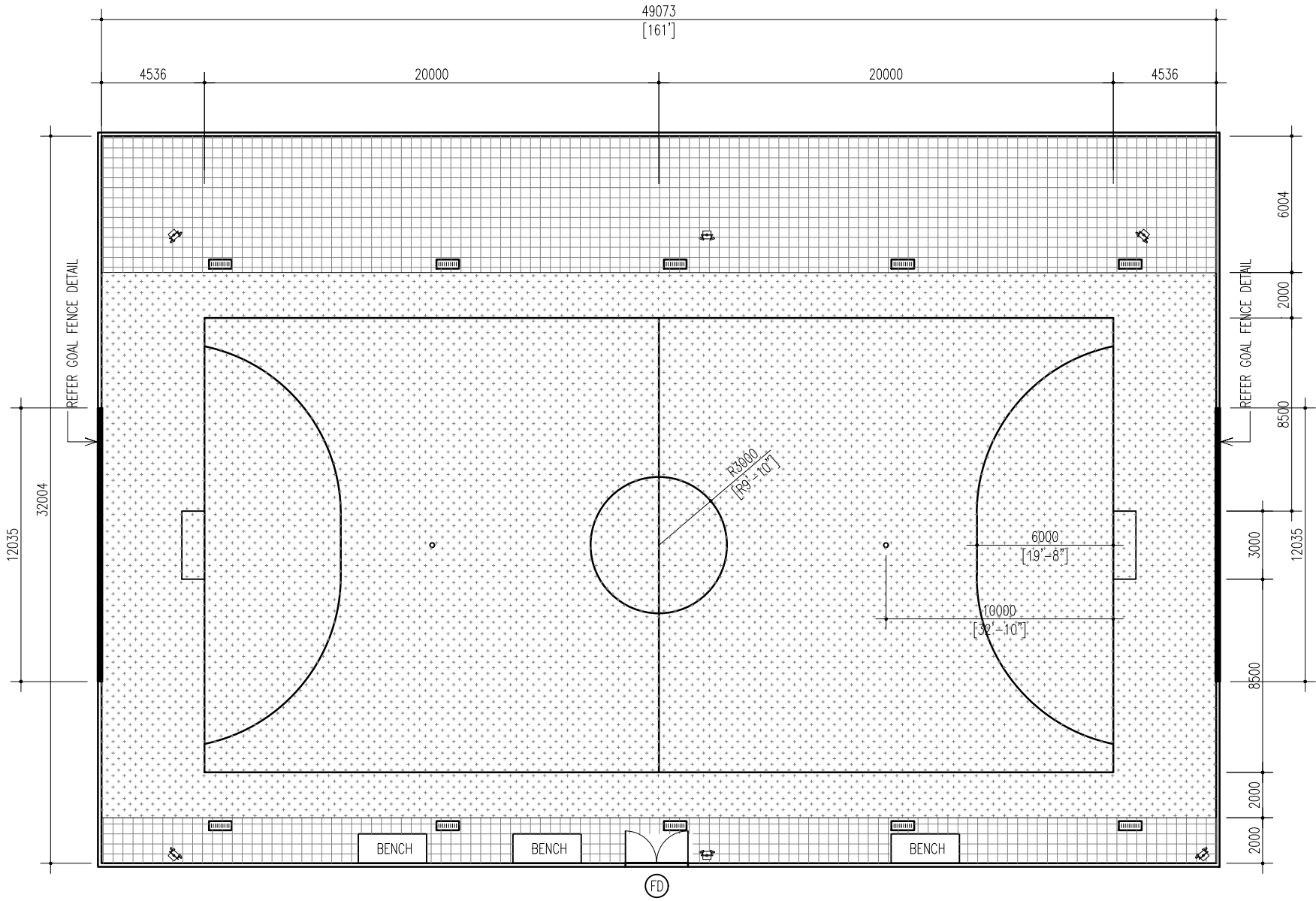
STRUCTURAL ENGINEER DRAFTED BY

CHECKED BY CHECKED BY

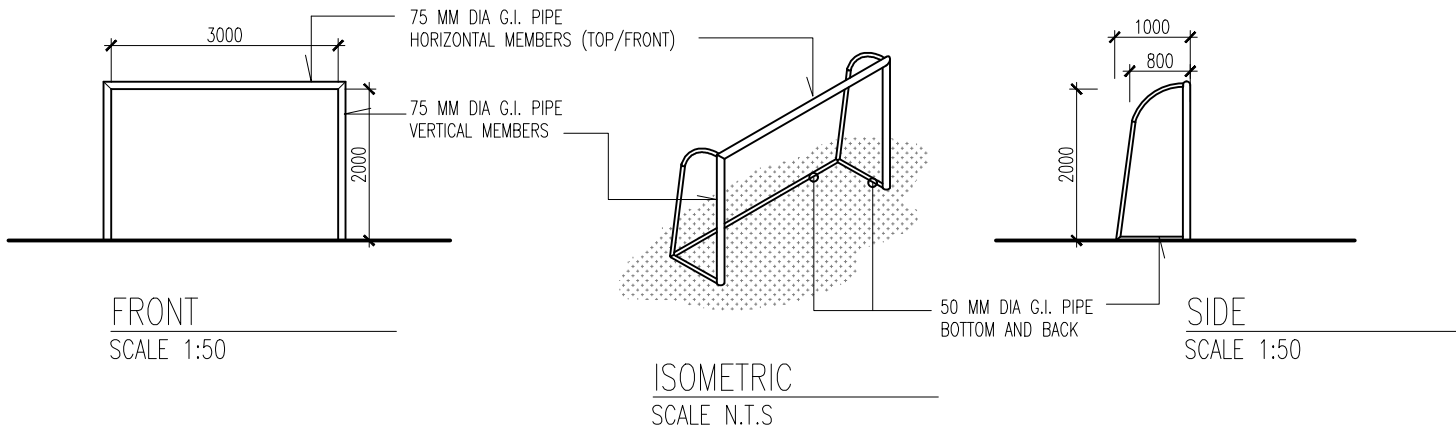
ARCHITECTURAL DRAWINGS

SHEET NO. 24 MAR 2022


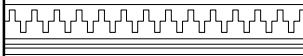
A-01

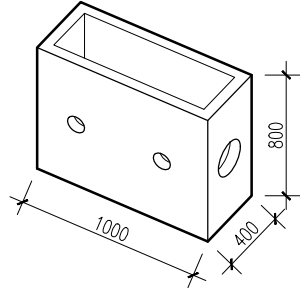


FUTSAL PITCH PLAN
SCALE 1:250

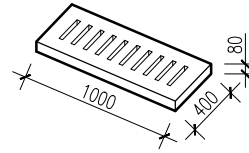


GOAL DETAILS
SCALE 1:100

 <p>INFRASTRUCTURE AND BUILDING DEVELOPMENT MALDIVES POLICE SERVICE</p>	
	
PROJECT TITLE:	
DHOONIDHOO FUTSAL GROUND	
<p>THE DRAWINGS, CONCEPT AND DESIGN CONTAINED AREA THE PROPERTIES OF MALDIVES POLICE SERVICE. USE OF ANY KIND OR COPY OF WHOLE OR PART OF THIS DRAWING CONCEPT OR DESIGN OR USE ON OTHER PROJECTS OR SITES OTHER THAN THAT SPECIFIED ON THIS DRAWINGS IS STRICTLY PROHIBITED</p>	
ARCHITECT/DESIGNER	DRAFTED BY
STRUCTURAL ENGINEER	DRAFTED BY
CHECKED BY	CHECKED BY
ARCHITECTURAL DRAWINGS	
SHEET NO.	24 MAR 2022
A-02	



NOTE: TO PROVIDE SETTLEMENT TANK AS PER MRDC STANDARD OR EQUIVALENT



NOTE: TO PROVIDE SETTLEMENT TANK COVER AS PER MRDC STANDARD OR EQUIVALENT


SETTLEMENT TANK SPECIFICATION

FORM	SOLID PCC SETTLEMENT TANK
APPEARANCE	STANDARD GRAY COLOR-UNTREATED SURFACE
SIZE	1000MM X 400MM X 80MM AND 60MM THICKNESS
COMPOSITION	OPC+CORAL SAND+CORAL STONE
DENSITY	AVERAGE 2174.9 KG/M ³
DRY WEIGHT	330KG APPROXIMATELY
STRENGTH	AVERAGE 13.6 N/mm ²
SURFACE TREATMENT	UNTREATED

SETTLEMENT TANK COVER SPECIFICATION

FORM	RCC GRATING GUTTER COVER
APPEARANCE	STANDARD GRAY COLOR-UNTREATED SURFACE
SIZE	1000MM X 400MM X 80MM AND 60MM THICKNESS
COMPOSITION	OPC+RIVER SAND+AGGREGATES
DENSITY	AVERAGE 2567.6 KG/M ³
DRY WEIGHT	90KG APPROXIMATELY
STRENGTH	AVERAGE 19.0 N/mm ²
SURFACE TREATMENT	UNTREATED

SETTLEMENT TANK DETAILS
SCALE 1:20



INFRASTRUCTURE AND BUILDING DEVELOPMENT
MALDIVES POLICE SERVICE

PROJECT TITLE:
DHOONIDHOO FUTSAL GROUND

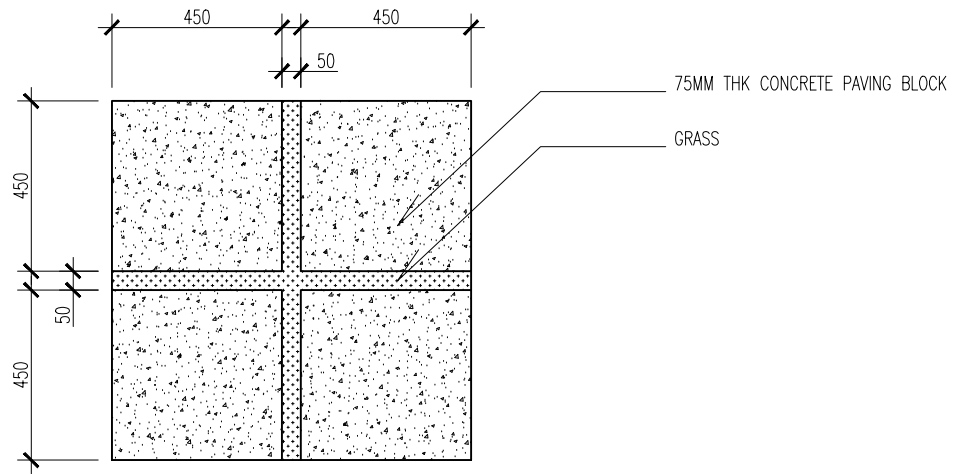
THE DRAWINGS, CONCEPT AND DESIGN CONTAINED AREA THE PROPERTIES OF MALDIVES POLICE SERVICE. USE OF ANY KIND OR COPY OF WHOLE OR PART OF THIS DRAWING CONCEPT OR DESIGN OR USE ON OTHER PROJECTS OR SITES OTHER THAN THAT SPECIFIED ON THIS DRAWINGS IS STRICTLY PROHIBITED

ARCHITECT/DESIGNER	DRAFTED BY
STRUCTURAL ENGINEER	DRAFTED BY
CHECKED BY	CHECKED BY

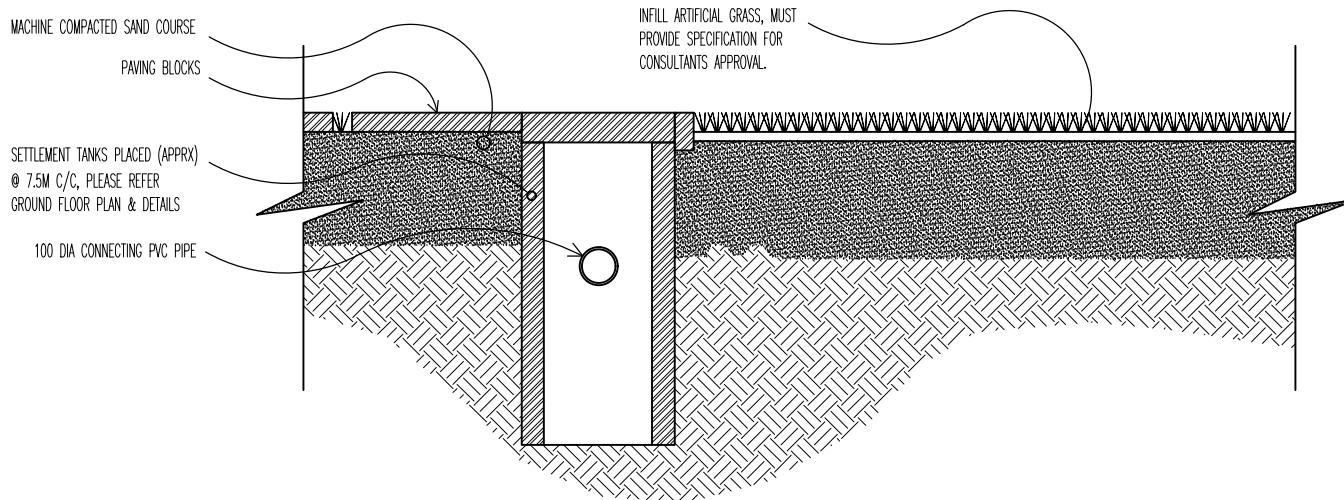
ARCHITECTURAL DRAWINGS

SHEET NO.	24 MAR 2022
-----------	-------------

A-03


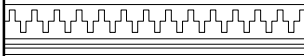


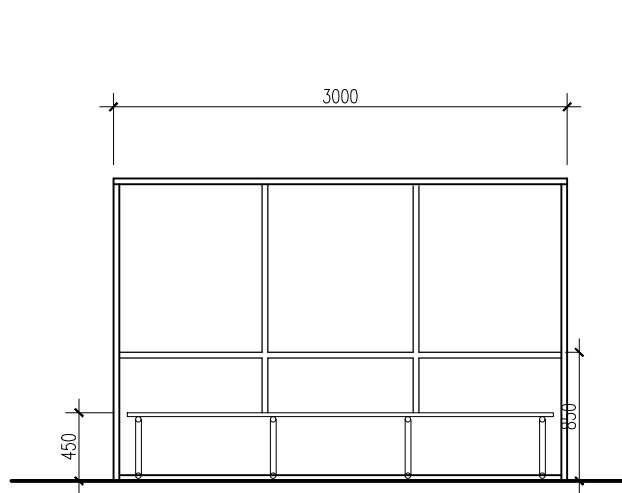
PAVING DETAIL
SCALE 1:20



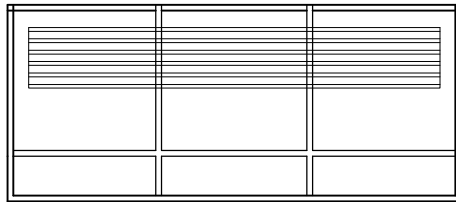
OUTDOOR PITCH DETAIL
SCALE 1:20

* PITCH MUST MEET ALL STANDARDS SETOUT BY ALL GOVERNING BODIES. THIS MUST INCLUDE TYPE OF MATERIAL, SIZE, AND METHOD OF INSTALLATION

 <p>INFRASTRUCTURE AND BUILDING DEVELOPMENT MALDIVES POLICE SERVICE</p>	
	
PROJECT TITLE:	
DHOONIDHOO FUTSAL GROUND	
<p>THE DRAWINGS, CONCEPT AND DESIGN CONTAINED AREA THE PROPERTIES OF MALDIVES POLICE SERVICE. USE OF ANY KIND OR COPY OF WHOLE OR PART OF THIS DRAWING CONCEPT OR DESIGN OR USE ON OTHER PROJECTS OR SITES OTHER THAN THAT SPECIFIED ON THIS DRAWINGS IS STRICTLY PROHIBITED</p>	
ARCHITECT/DESIGNER	DRAFTED BY
STRUCTURAL ENGINEER	DRAFTED BY
CHECKED BY	CHECKED BY
ARCHITECTURAL DRAWINGS	
SHEET NO.	24 MAR 2022
A-04	

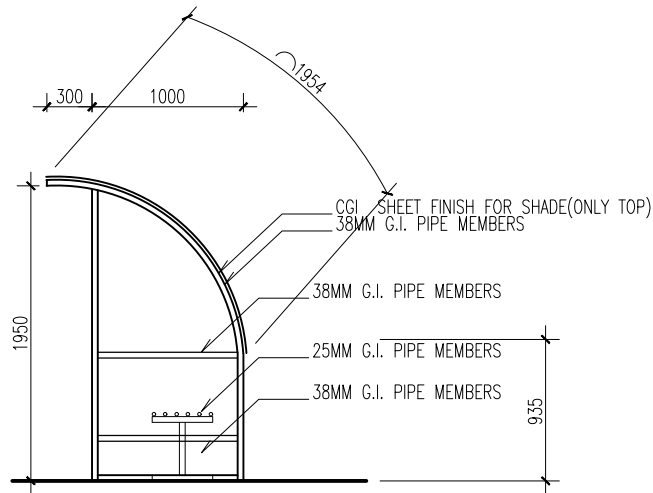


FRONT VIEW
SCALE 1:50



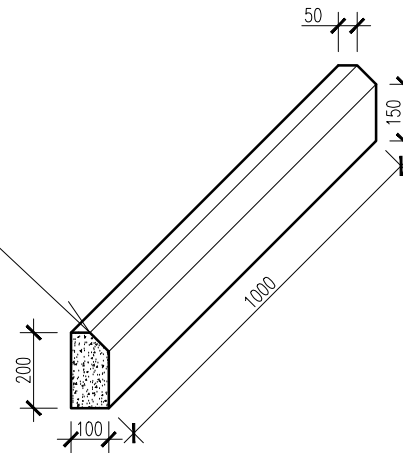
TOP VIEW
SCALE 1:50

DETAIL OF G.I. BENCH
SCALE 1:50




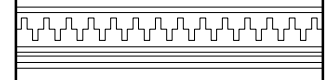
SIDE VIEW
SCALE 1:50

SOLID PCC SETTLEMENT TANK
STRENGTH 13.6N/mm²



DETAIL OF CURB STONE
SCALE 1:20

 INFRASTRUCTURE AND BUILDING DEVELOPMENT MALDIVES POLICE SERVICE	
PROJECT TITLE:	
DHOONIDHOO FUTSAL GROUND	
<small>THE DRAWINGS, CONCEPT AND DESIGN CONTAINED AREA THE PROPERTIES OF MALDIVES POLICE SERVICE USE OF ANY KIND OR COPY OF WHOLE OR PART OF THIS DRAWING CONCEPT OR DESIGN OR USE ON OTHER PROJECTS OR SITES OTHER THAN THAT SPECIFIED ON THIS DRAWINGS IS STRICTLY PROHIBITED</small>	
ARCHITECT/DESIGNER	DRAFTED BY
STRUCTURAL ENGINEER	DRAFTED BY
CHECKED BY	CHECKED BY
ARCHITECTURAL DRAWINGS	
SHEET NO.	24 MAR 2022
A-05	



PROJECT TITLE:
DHOONIDHOO FUTSAL GROUND

THE DRAWINGS, CONCEPT AND DESIGN CONTAINED AREA THE PROPERTIES OF MALDIVES POLICE SERVICE. USE OF ANY KIND OR COPY OF WHOLE OR PART OF THIS DRAWING CONCEPT OR DESIGN OR USE ON OTHER PROJECTS OR SITES OTHER THAN THAT SPECIFIED ON THIS DRAWINGS IS STRICTLY PROHIBITED

ARCHITECT/DESIGNER DRAFTED BY

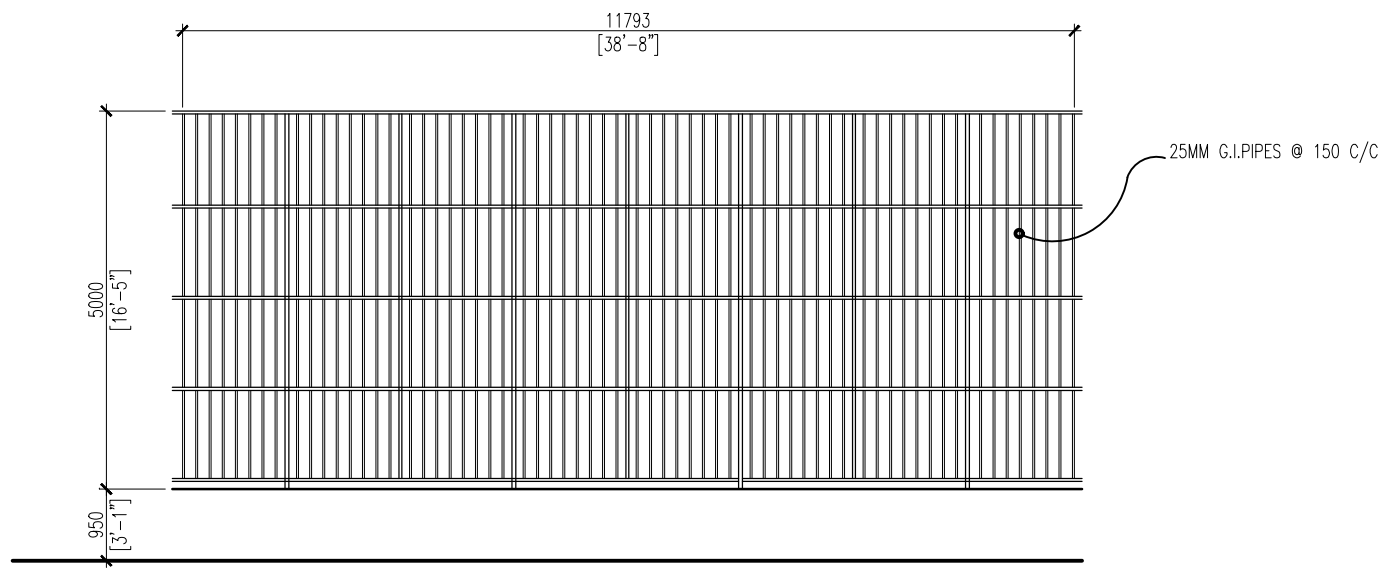
STRUCTURAL ENGINEER DRAFTED BY

CHECKED BY CHECKED BY

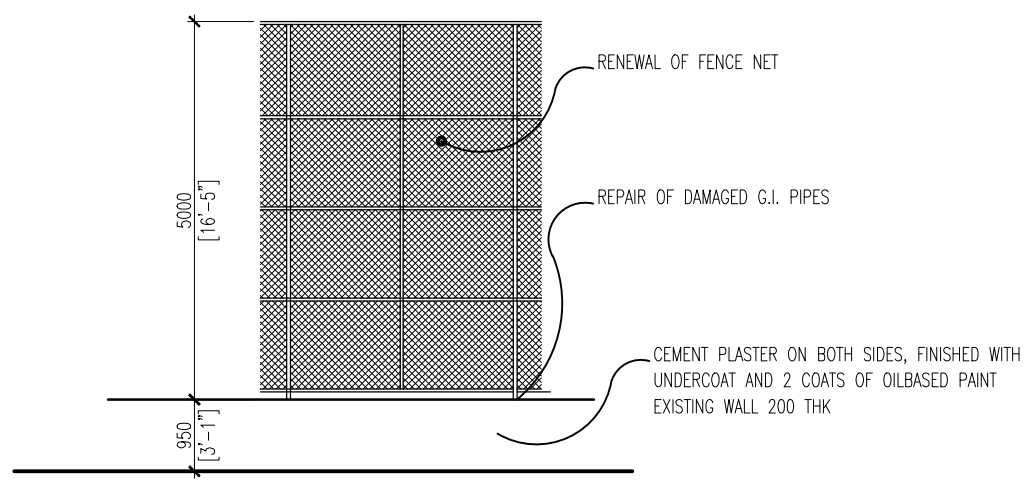
ARCHITECTURAL DRAWINGS

SHEET NO. 24 MAR 2022

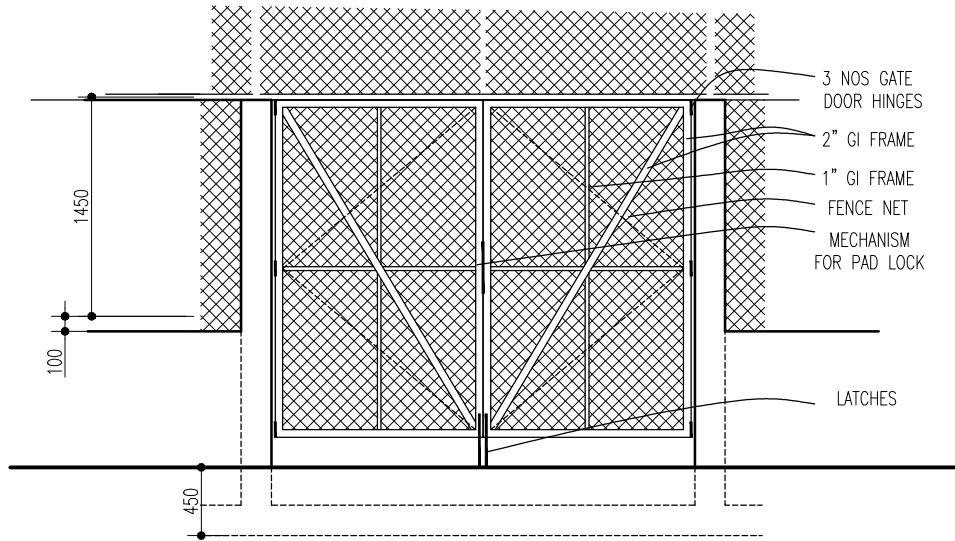
A-06



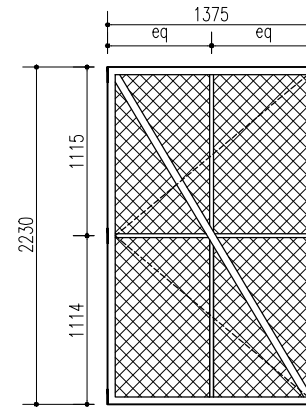
GOAL FENCE DETAIL
SCALE 1:100




FENCE DETAIL
SCALE 1:100



DETAIL OF FENCE DOOR (FD)
SCALE 1:50



DETAIL OF FENCE DOOR LEAF
SCALE 1:50

 INFRASTRUCTURE AND BUILDING DEVELOPMENT MALDIVES POLICE SERVICE	
PROJECT TITLE: DHOONIDHOO FUTSAL GROUND	
<small>THE DRAWINGS, CONCEPT AND DESIGN CONTAINED AREA THE PROPERTIES OF MALDIVES POLICE SERVICE. USE OF ANY KIND OR COPY OF WHOLE OR PART OF THIS DRAWING CONCEPT OR DESIGN OR USE ON OTHER PROJECTS OR SITES OTHER THAN THAT SPECIFIED ON THIS DRAWINGS IS STRICTLY PROHIBITED</small>	
ARCHITECT/DESIGNER	DRAFTED BY
STRUCTURAL ENGINEER	DRAFTED BY
CHECKED BY	CHECKED BY
ARCHITECTURAL DRAWINGS	
SHEET NO.	24 MAR 2022
A-07	