

SHEET CONTENTS :

REVISION NOTES:

PROJECT:
CONSTRUCTION OF
AMBULANCE PORTICO

CLIENT:
MINISTRY OF HEALTH

LOCATION:
DIFFERENT ISLANDS

CONTENTS: AS GIVEN

PROJECT MANAGER:

DESIGNER: ARIZ

CIV/STR. ENGINEER:

SURVEYED BY: -

DRAWN BY: ARIZ

CHECKED BY:

DATE : FEBRUARY 2021

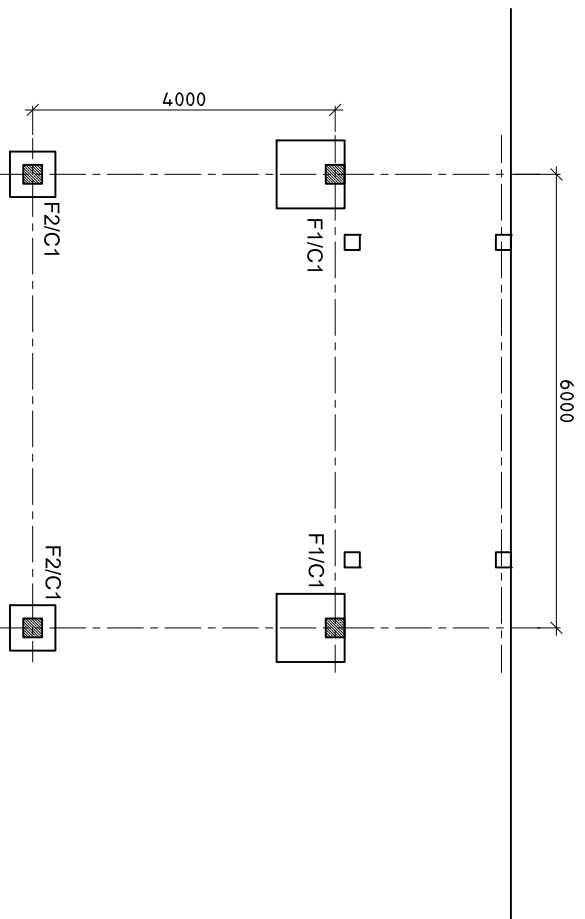
SHEET NO. : /

PAPER SIZE: A3



COLUMN AND FOOTING PLAN

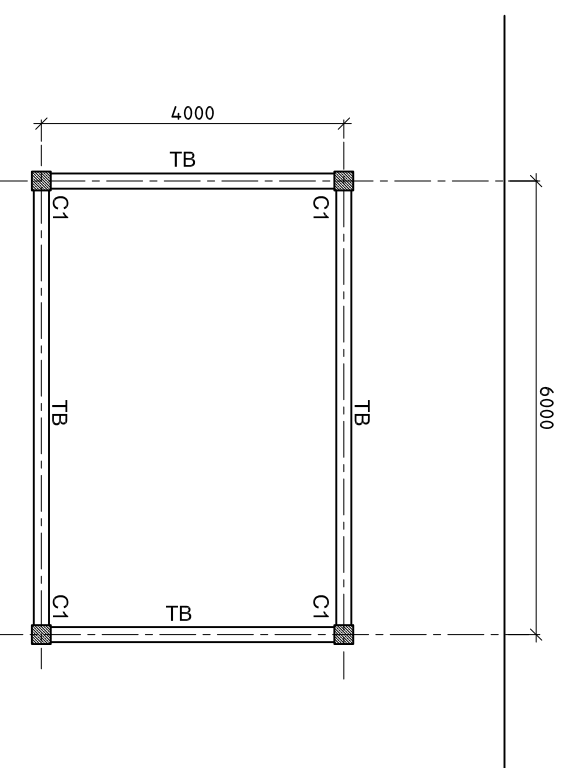
SCALE: 1 : 100



TIE BEAM PLAN

SCALE: 1 : 100

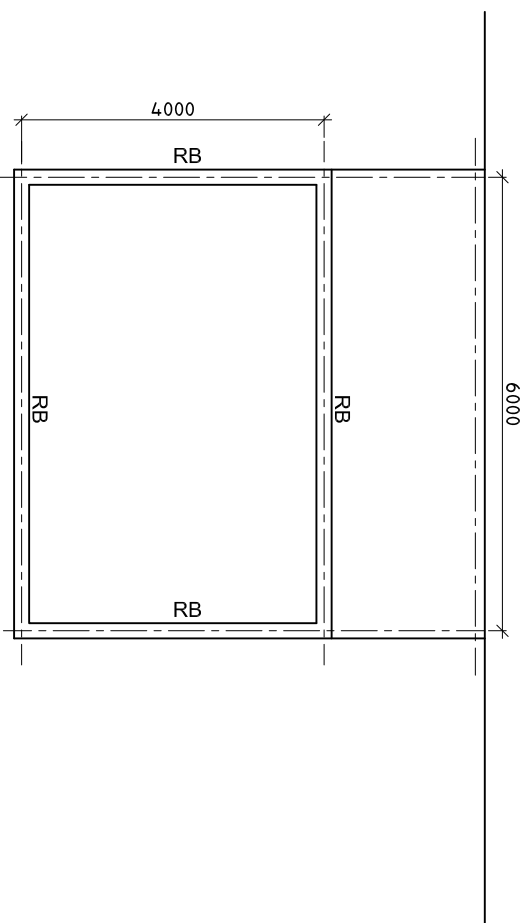
EXISTING BUILDING



ROOF BEAM PLAN

SCALE: 1 : 100

EXISTING BUILDING



SHEET CONTENTS :

REVISION NOTES:

PROJECT:
CONSTRUCTION OF
AMBULANCE PORTICO

CLIENT:
MINISTRY OF HEALTH

LOCATION:
DIFFERENT ISLANDS

CONTENTS: AS GIVEN

PROJECT MANAGER:

DESIGNER: ARIZ

CIV/STR. ENGINEER:

SURVEYED BY: -

DRAWN BY: ARIZ

CHECKED BY:

DATE : FEBRUARY 2021

SHEET NO. : /

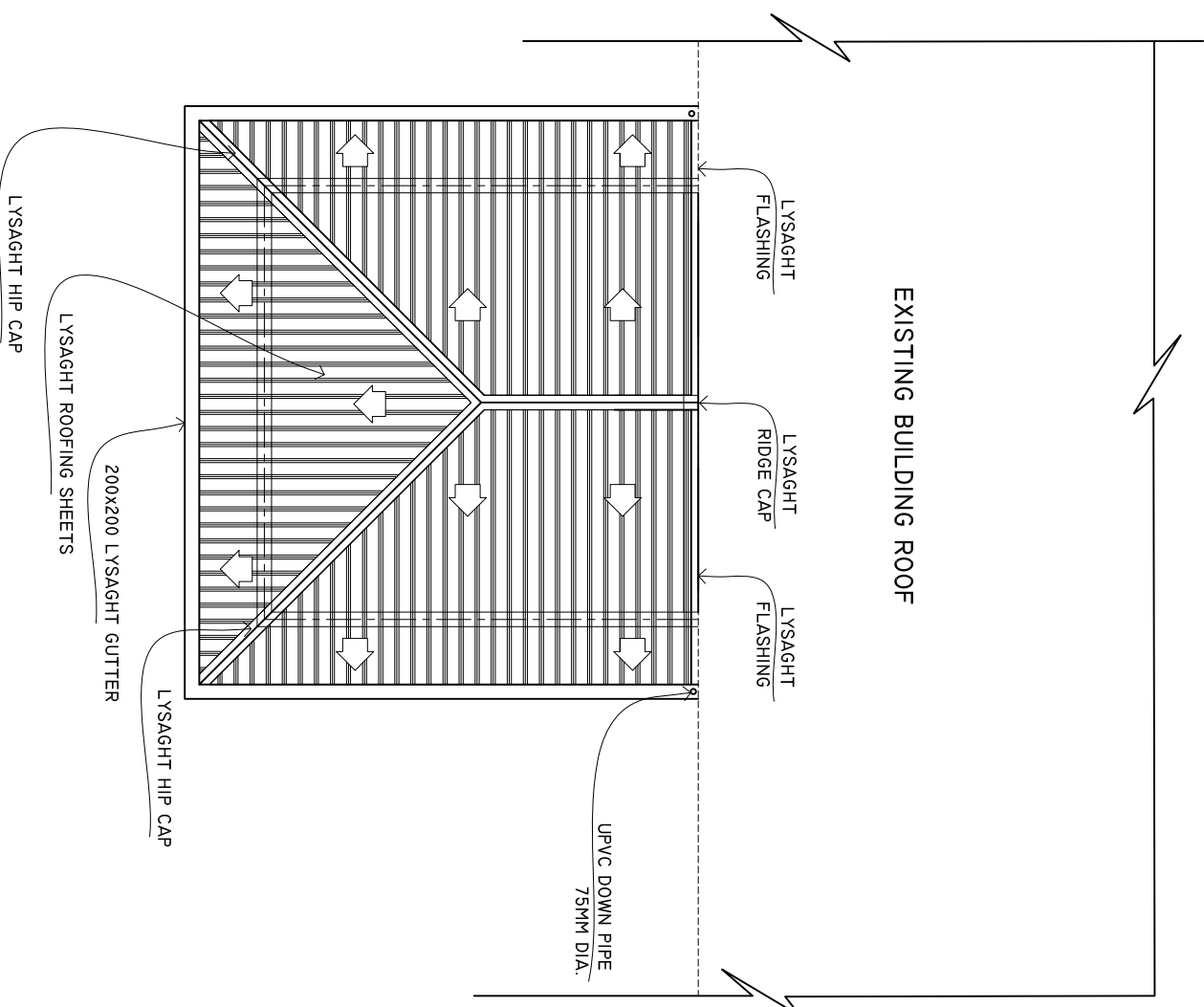
PAPER SIZE: A3



ADMIN DIVISION
Ministry of Health
Roshanee Building
Soosan Maqat
Tel: 332 8887, Fax: 332 8889

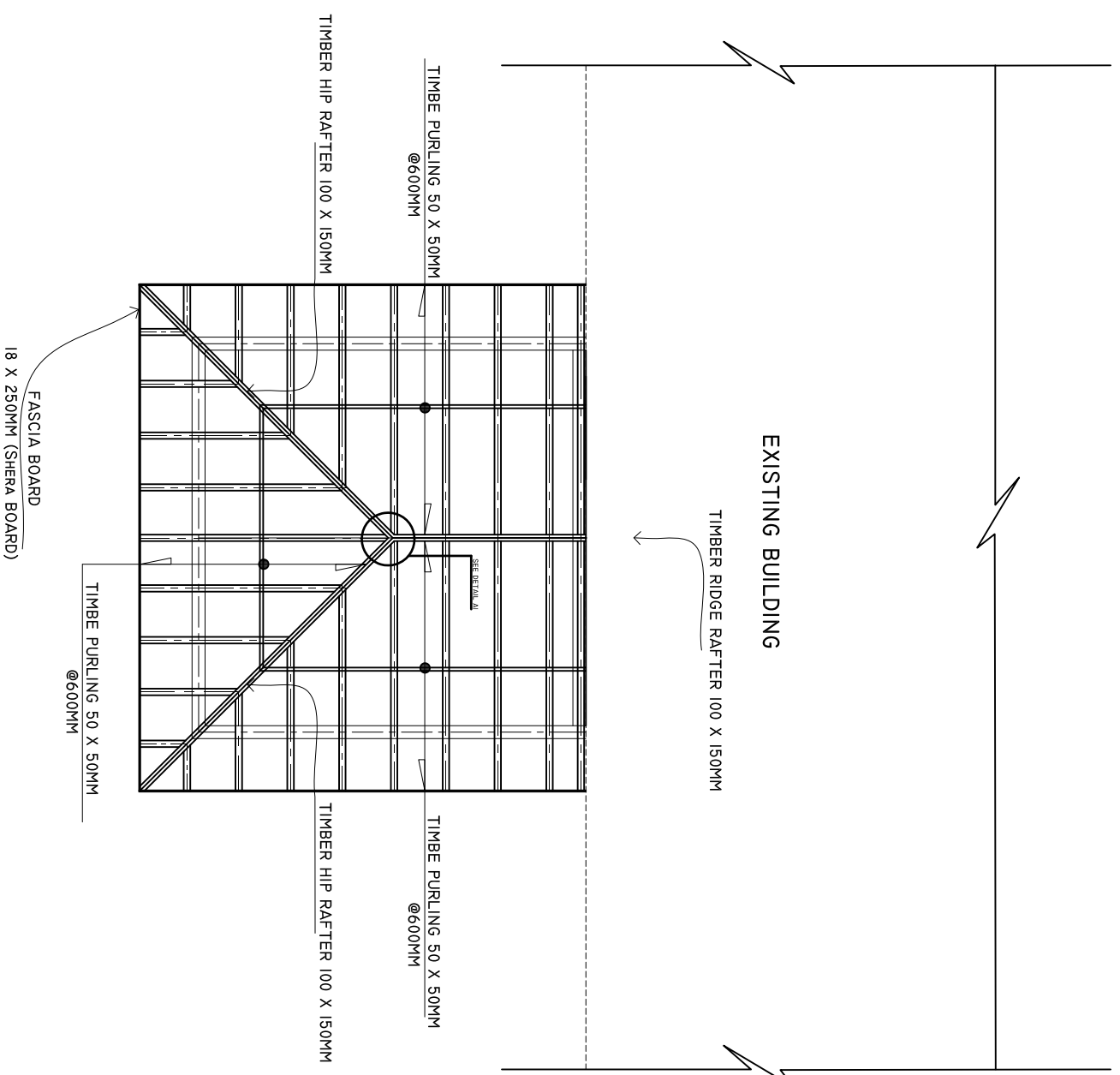
ROOF PLAN

SCALE: 1 : 100



ROOF FRAMING PLAN

SCALE: 1 : 100



SHEET CONTENTS :

REVISION NOTES:

PROJECT:
CONSTRUCTION OF
AMBULANCE PORTICO

CLIENT:

MINISTRY OF HEALTH

LOCATION:
DIFFERENT ISLANDS

CONTENTS: AS GIVEN

PROJECT MANAGER:

DESIGNER: ANIZ

CIV/STR. ENGINEER:

SURVEYED BY: -

DRAWN BY: ARIZ

CHECKED BY:

DATE : FEBRUARY 2021

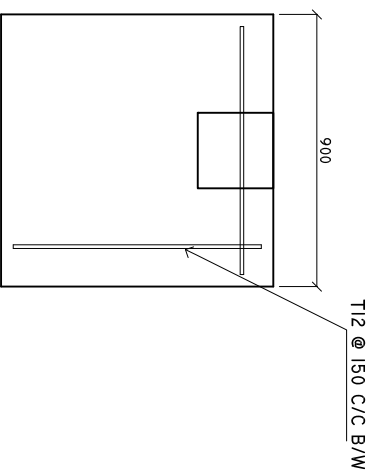
SHEET NO. : /

PAPER SIZE: A3

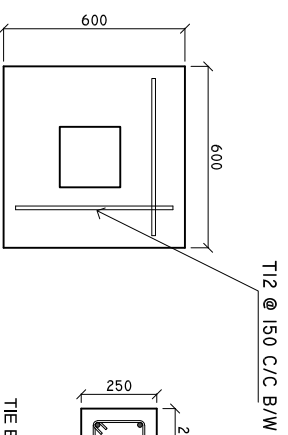
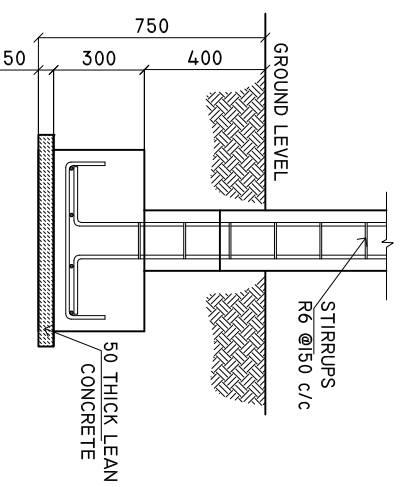


DETAILS R/C

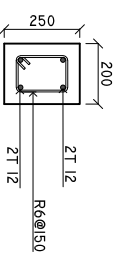
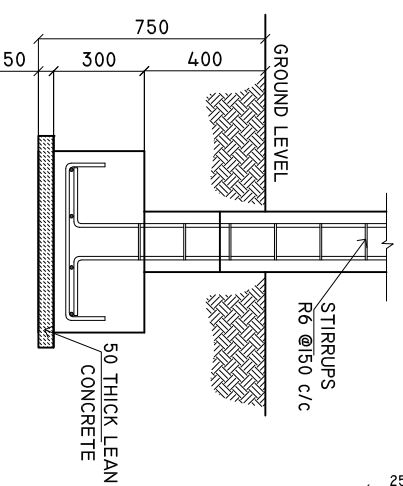
SCALE: 1 : 25



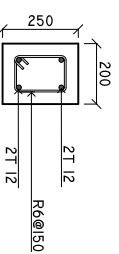
F1



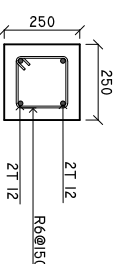
F2



TIE BEAM (TB)



ROOF BEAM (RB)



COLUMN (C1)

MINIMUM 50MM COVER BELOW GROUND LEVEL	ALL BAR BENDING & OVERLAPS AS PER ACTUAL BS STANDARD.
MINIMUM 30MM COVER ABOVE GROUND LEVEL	

SHEET CONTENTS :

REVISION NOTES:

PROJECT:
CONSTRUCTION OF
AMBULANCE PORTICO

CLIENT:
MINISTRY OF HEALTH

LOCATION:
DIFFERENT ISLANDS

CONTENTS: AS GIVEN

PROJECT MANAGER:

DESIGNER: ARIZ

CIV/STR. ENGINEER:

SURVEYED BY: -

DRAWN BY: ARIZ

CHECKED BY:

DATE : FEBRUARY 2021

SHEET NO. : /

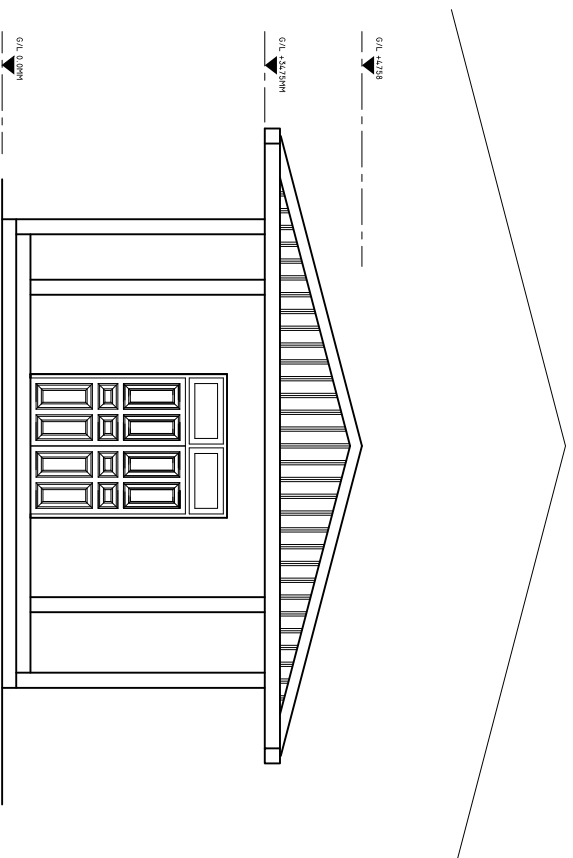
PAPER SIZE: A3



ADMIN DIVISION
Ministry of Health
Roshanae Building
Soan Mazar
Tel: 332 8887, Fax: 332 8889

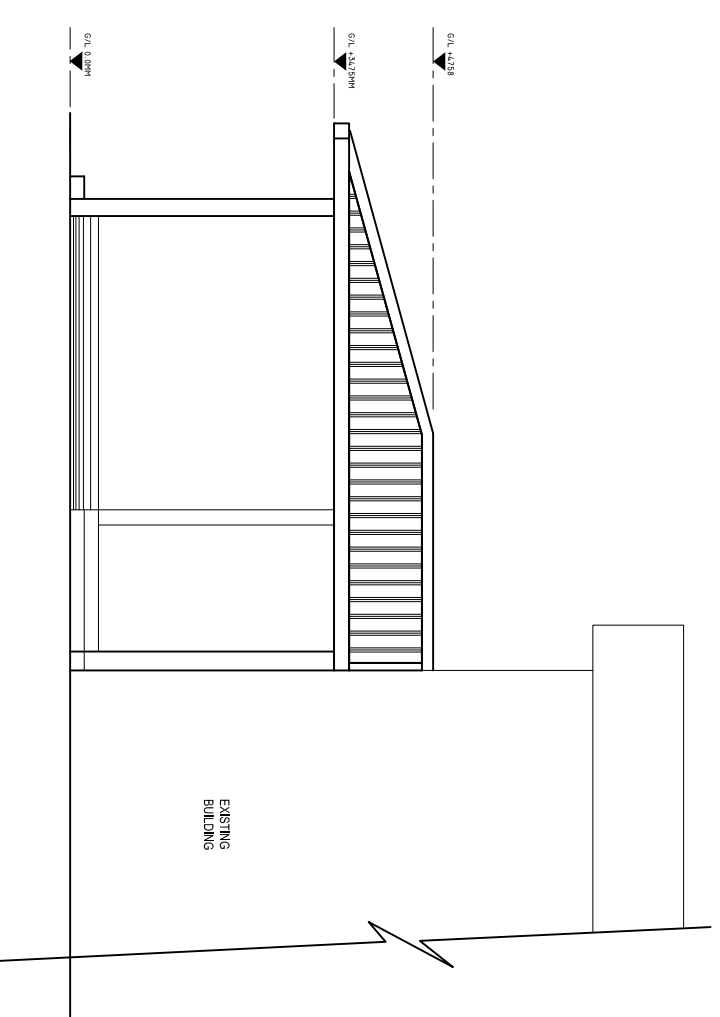
FRONT ELEVATION

SCALE: 1 : 100



SIDE ELEVATION

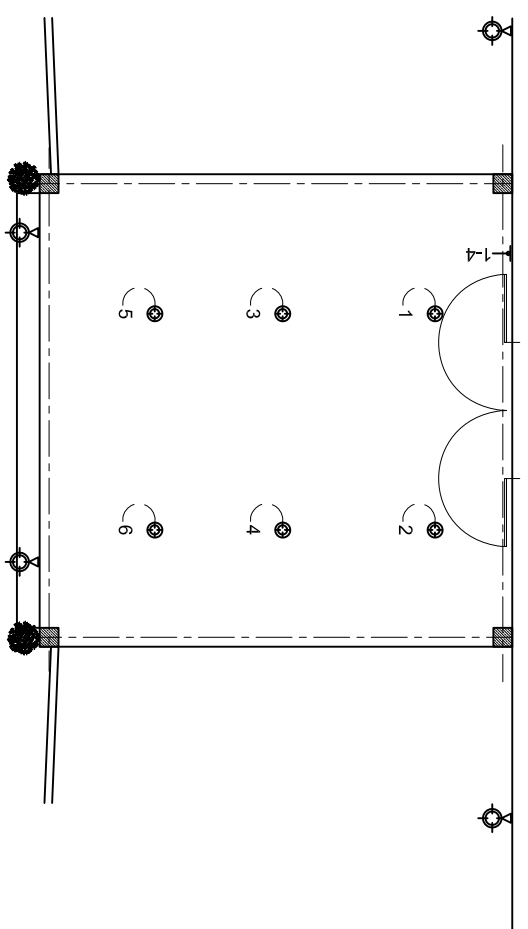
SCALE: 1 : 100



ELECTRICAL LAYOUT

SCALE: 1 : 100

EXISTING BUILDING



LEGEND

SYMBOL	DESCRIPTION
	OUTDOOR WEATHER PROOF LIGHT 21W PHILIPS.
	FOUR GANG SWITCH

SHEET CONTENTS :

REVISION NOTES:

PROJECT:

CONSTRUCTION OF
AMBULANCE PORTICO

CLIENT:

MINISTRY OF HEALTH

LOCATION:

DIFFERENT ISLANDS

CONTENTS: AS GIVEN

PROJECT MANAGER:

DESIGNER: ARIZ

CIV/STR. ENGINEER:

SURVEYED BY: -

DRAWN BY: ARIZ

CHECKED BY:

DATE : FEBRUARY 2021

SHEET NO. : /

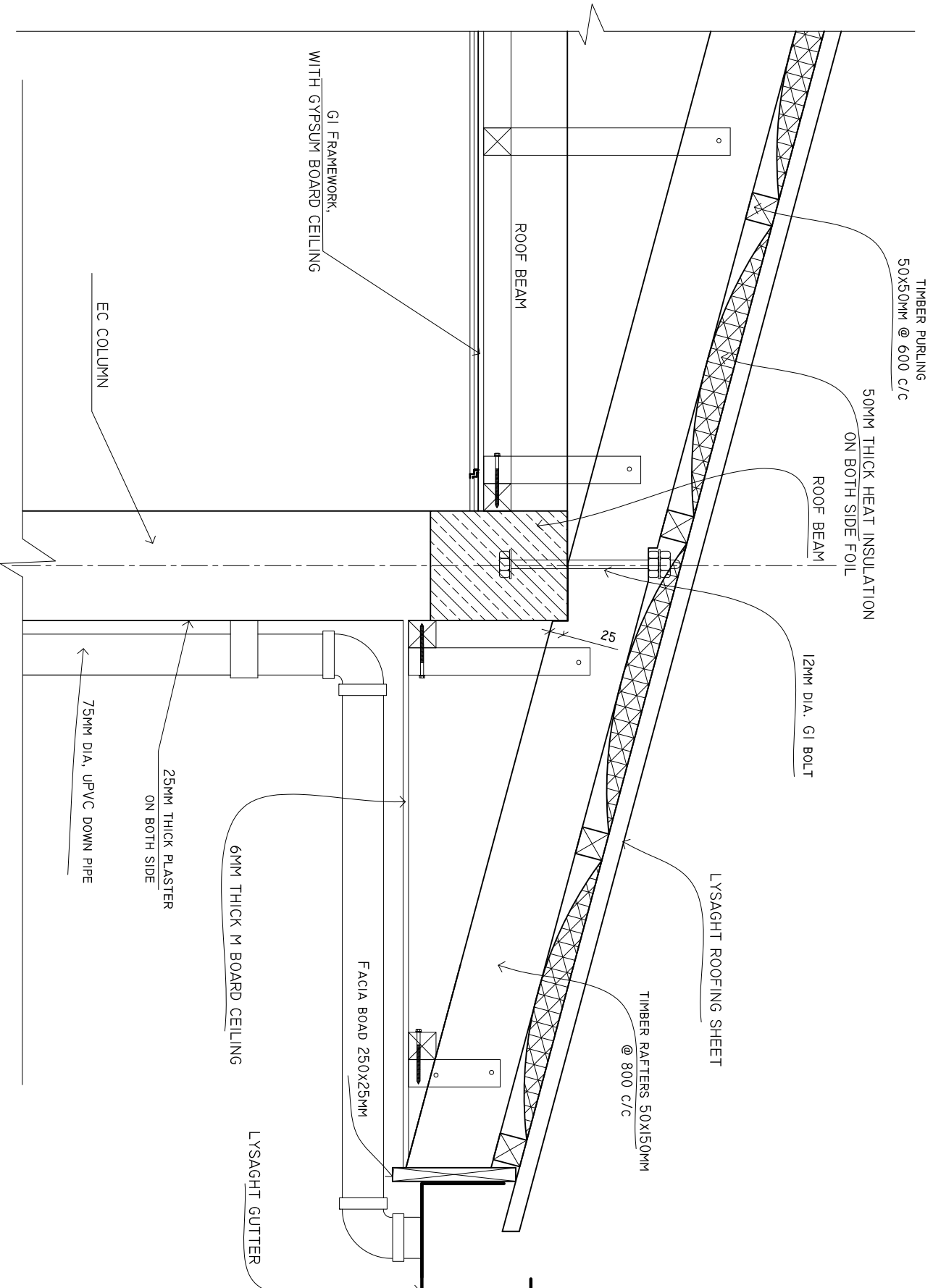
PAPER SIZE: A3



ADMIN DIVISION
Ministry of Health
Roshanae Building
Soan Nagar
Tel: 332 8887, Fax: 332 8889

DETAIL A

SCALE: 1 : 10



SHEET CONTENTS :

REVISION NOTES:

PROJECT:
CONSTRUCTION OF
AMBULANCE PORTICO

CLIENT:
MINISTRY OF HEALTH

LOCATION:
DIFFERENT ISLANDS

CONTENTS: AS GIVEN

PROJECT MANAGER:

DESIGNER: ARIZ

CIV/STR. ENGINEER:

SURVEYED BY: -

DRAWN BY: ARIZ

CHECKED BY:

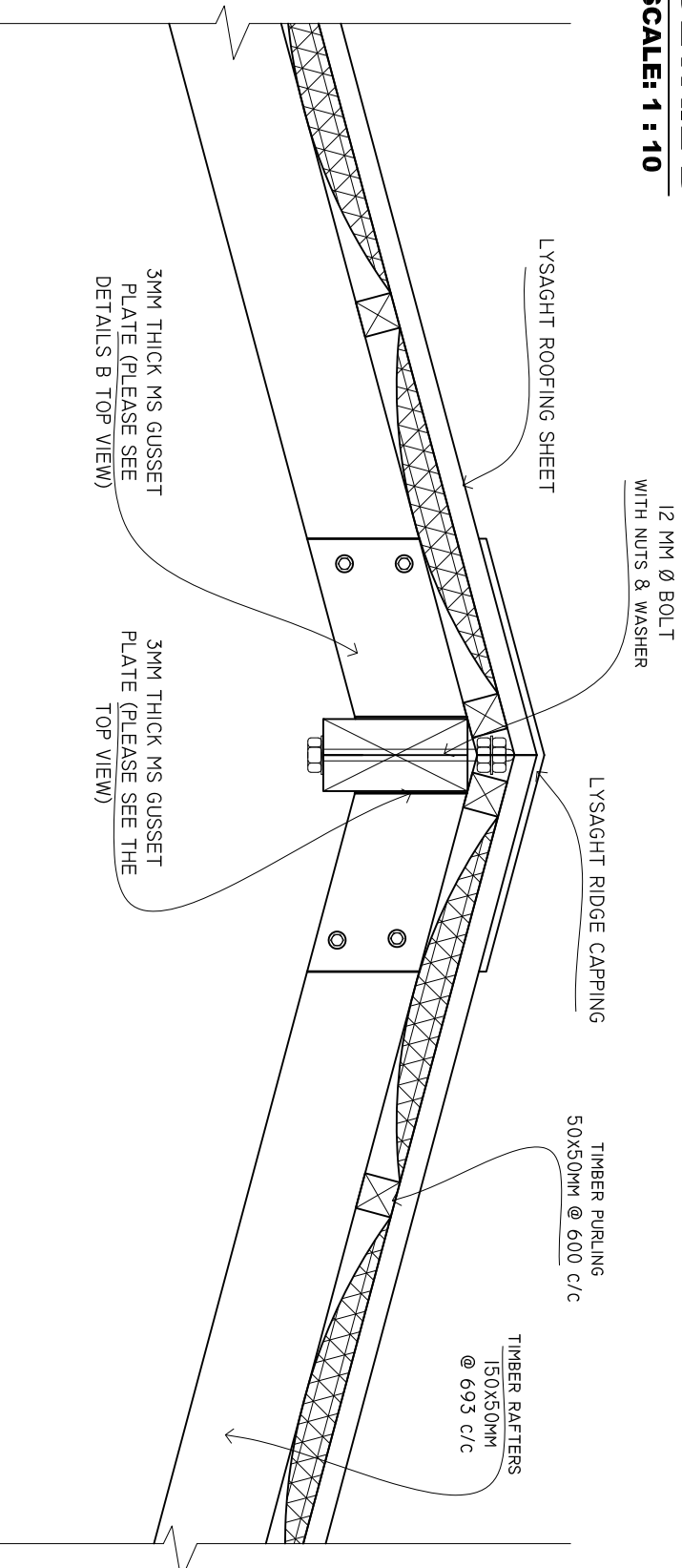
DATE : FEBRUARY 2021

SHEET NO. : /

PAPER SIZE: A3



DETAIL B
SCALE: 1 : 10



SHEET CONTENTS :

REVISION NOTES:

PROJECT:
**CONSTRUCTION OF
 AMBULANCE PORTICO**

CLIENT:

MINISTRY OF HEALTH

LOCATION:

DIFFERENT ISLANDS

CONTENTS: *AS GIVEN*

PROJECT MANAGER:

DESIGNER: *ARIZ*

CIV/STR. ENGINEER:

SURVEYED BY: *-*

DRAWN BY: *ARIZ*

CHECKED BY:

DATE : *FEBRUARY 2021*

SHEET NO. : */*

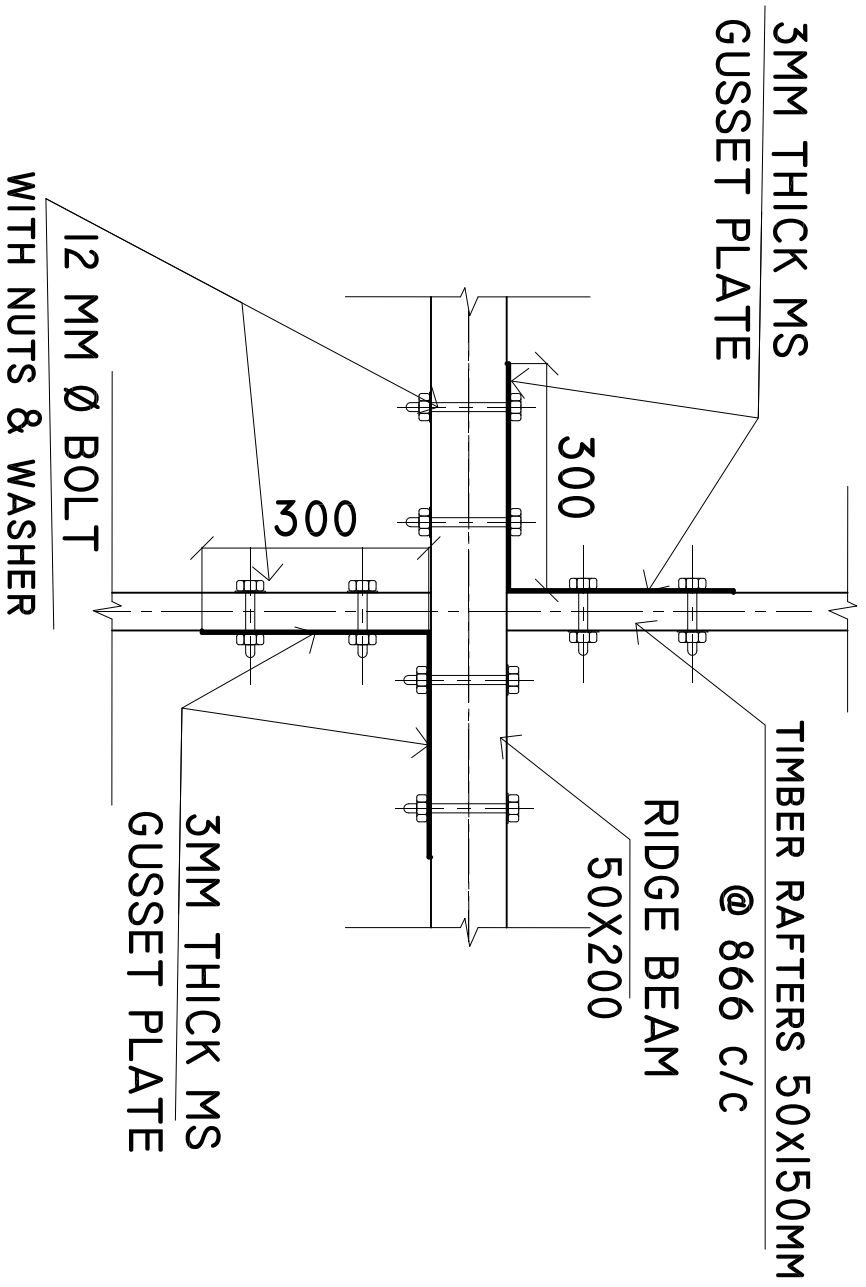
PAPER SIZE: **A3**



ADMIN DIVISION
 Ministry of Health
 Rosehane Building
 Soana Maaga
 Tel: 332 8887, Fax: 332 8889

DETAILS B (TOP VIEW)

SCALE: 1 : 10



SHEET CONTENTS :

REVISION NOTES:

PROJECT:

CONSTRUCTION OF
AMBULANCE PORTICO

CLIENT:

MINISTRY OF HEALTH

LOCATION:

DIFFERENT ISLANDS

CONTENTS: AS GIVEN

PROJECT MANAGER:

DESIGNER: ARIZ

CIV/STR. ENGINEER:

SURVEYED BY: -

DRAWN BY: ARIZ

CHECKED BY:

DATE : FEBRUARY 2021

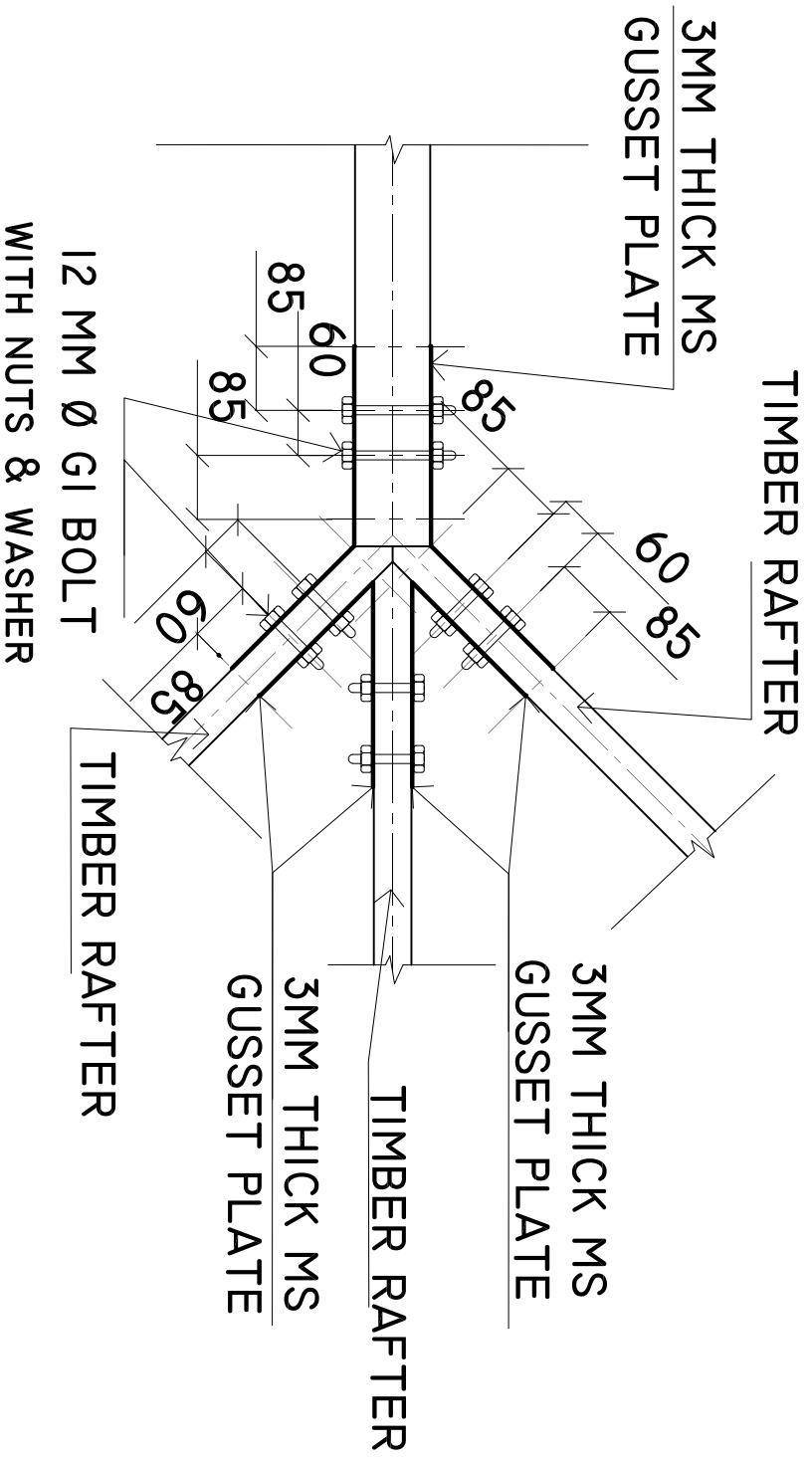
SHEET NO. : /

PAPER SIZE: A3



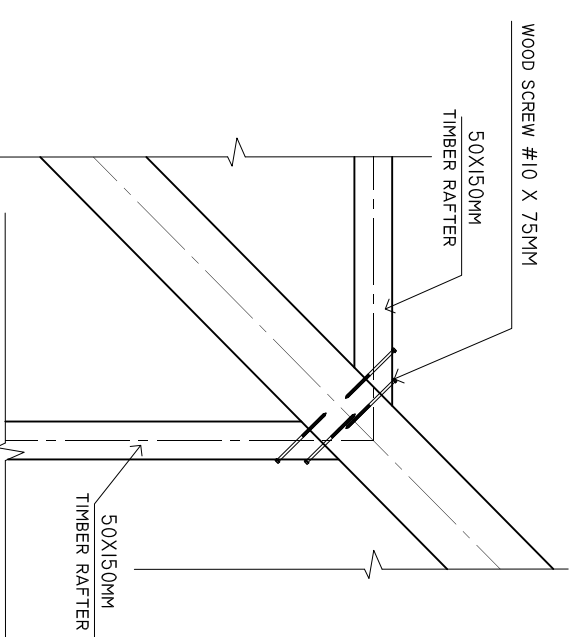
DETAILS A1

SCALE: 1 : 10



HIP RAFTER CONNECTIO DETAIL

SCALE: 1 : 10



SHEET CONTENTS :

REVISION NOTES:

PROJECT:
CONSTRUCTION OF
AMBULANCE PORTICO

CLIENT:

MINISTRY OF HEALTH

LOCATION:

DIFFERENT ISLANDS

CONTENTS: AS GIVEN

PROJECT MANAGER:

DESIGNER: ARIZ

CIV/STR. ENGINEER:

SURVEYED BY: -

DRAWN BY: ARIZ

CHECKED BY:

DATE : FEBRUARY 2021

SHEET NO. : /

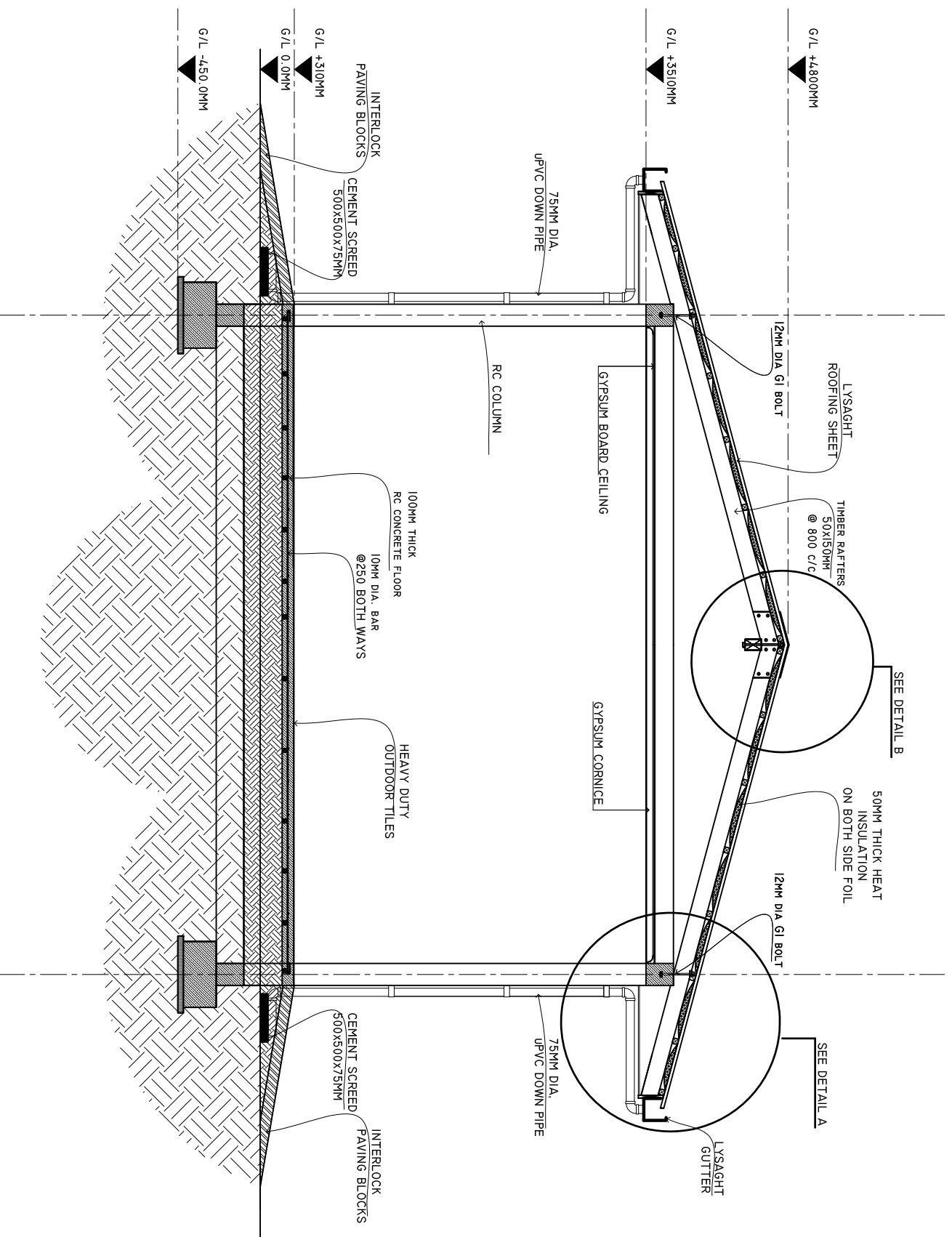
PAPER SIZE: A3



ADMIN DIVISION
Ministry of Health
Roshanae Building
Soana Maaga
Tel: 332 8887, Fax: 332 8889

CROSS SECTION X-X

SCALE: 1 : 50



SHEET CONTENTS :

REVISION NOTES:

PROJECT:
CONSTRUCTION OF
AMBULANCE PORTICO

CLIENT:

MINISTRY OF HEALTH

LOCATION:
DIFFERENT ISLANDS

CONTENTS: AS GIVEN

PROJECT MANAGER:

DESIGNER: ARIZ

CIV/STR. ENGINEER:

SURVEYED BY: -

DRAWN BY: ARIZ

CHECKED BY:

DATE : FEBRUARY 2021

SHEET NO. : /

PAPER SIZE: A3

