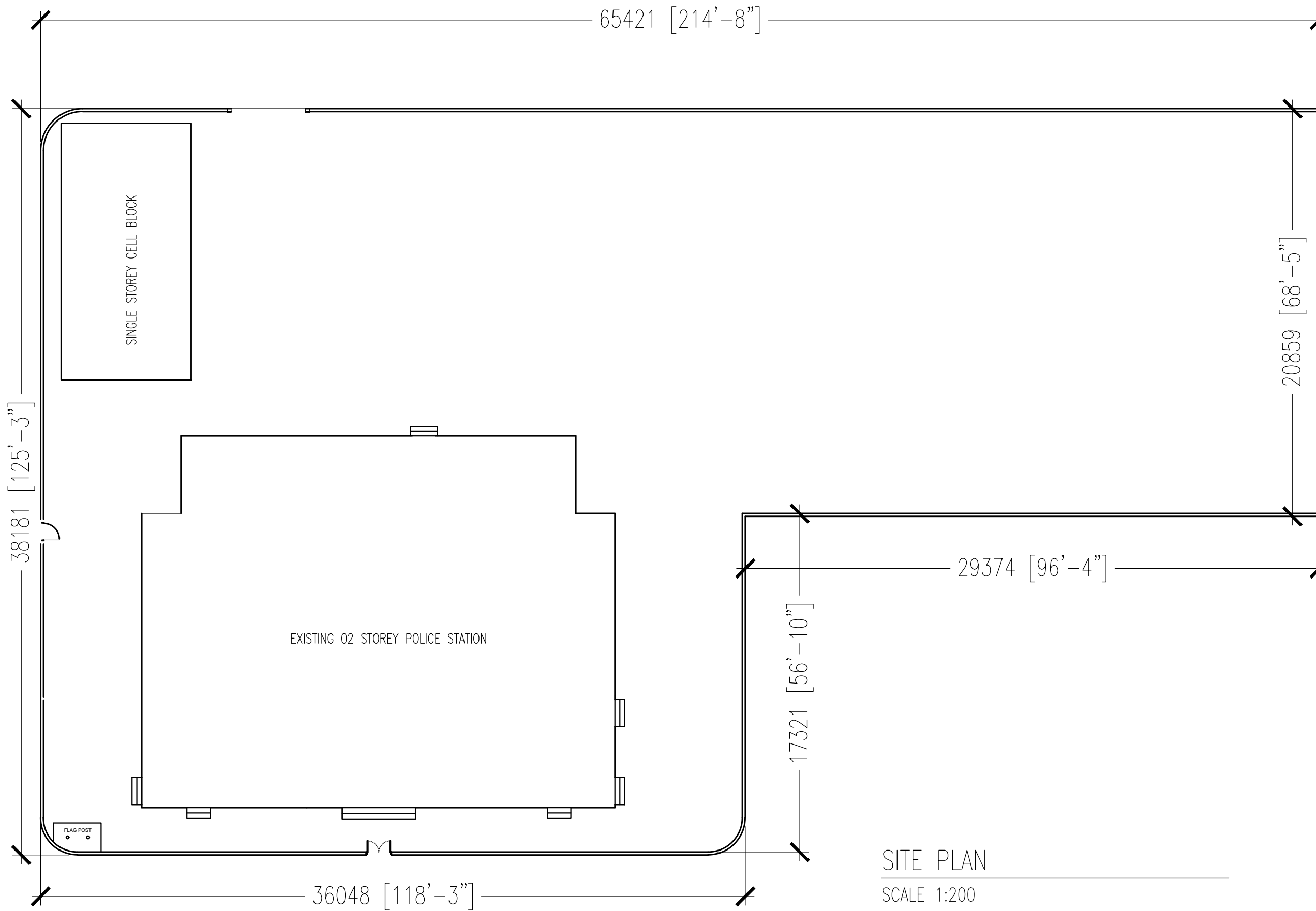



# B.EYDHAFUSHI POLICE STATION

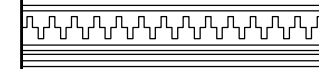
RENOVATION ARCHITECTURAL & STRUCTURAL DRAWINGS

DATE: 25-JAN-2023



SITE PLAN  
SCALE 1:200

INFRASTRUCTURE AND BUILDING DEVELOPMENT  MALDIVES POLICE SERVICE	
PROJECT TITLE:	
B.EYDHAFUSHI POLICE STATION RENOVATION	
MALDIVES POLICE SERVICE SEAL & SIGN	
CONTRACTORS SEAL & SIGN	
<small>THE DRAWINGS, CONCEPT AND DESIGN CONTAINED AREA THE PROPERTIES OF MALDIVES POLICE SERVICE. USE OF ANY KIND OR COPY OF WHOLE OR PART OF THIS DRAWING CONCEPT OR DESIGN OR USE ON OTHER PROJECTS OR SITES OTHER THAN THAT SPECIFIED ON THIS DRAWINGS IS STRICTLY PROHIBITED</small>	
ARCHITECT/DESIGNER	DRAFTED BY
STRUCTURAL ENGINEER	DRAFTED BY
CHECKED BY	CHECKED BY
ARCHITECTURAL DRAWINGS	
SHEET NO.	25-JAN-2023
A-01	



PROJECT TITLE:  
B.EYDHAFUSHI POLICE STATION RENOVATION

MALDIVES POLICE SERVICE SEAL & SIGN

CONTRACTORS SEAL & SIGN

THE DRAWINGS, CONCEPT AND DESIGN CONTAINED AREA THE PROPERTIES OF MALDIVES POLICE SERVICE. USE OF ANY KIND OR COPY OF WHOLE OR PART OF THIS DRAWING CONCEPT OR DESIGN OR USE ON OTHER PROJECTS OR SITES OTHER THAN THAT SPECIFIED ON THIS DRAWINGS IS STRICTLY PROHIBITED

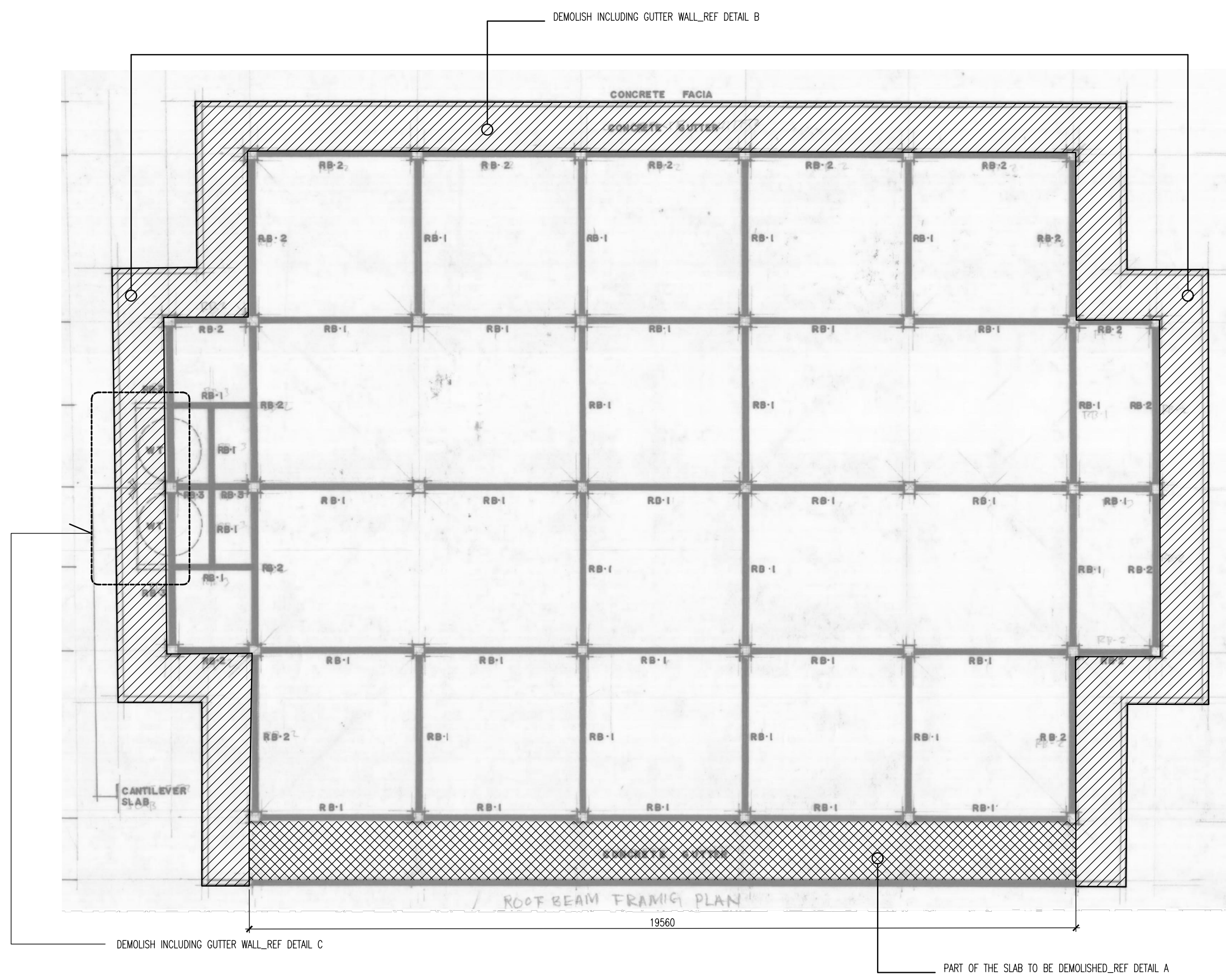
ARCHITECT/DESIGNER      DRAFTED BY

STRUCTURAL ENGINEER      DRAFTED BY

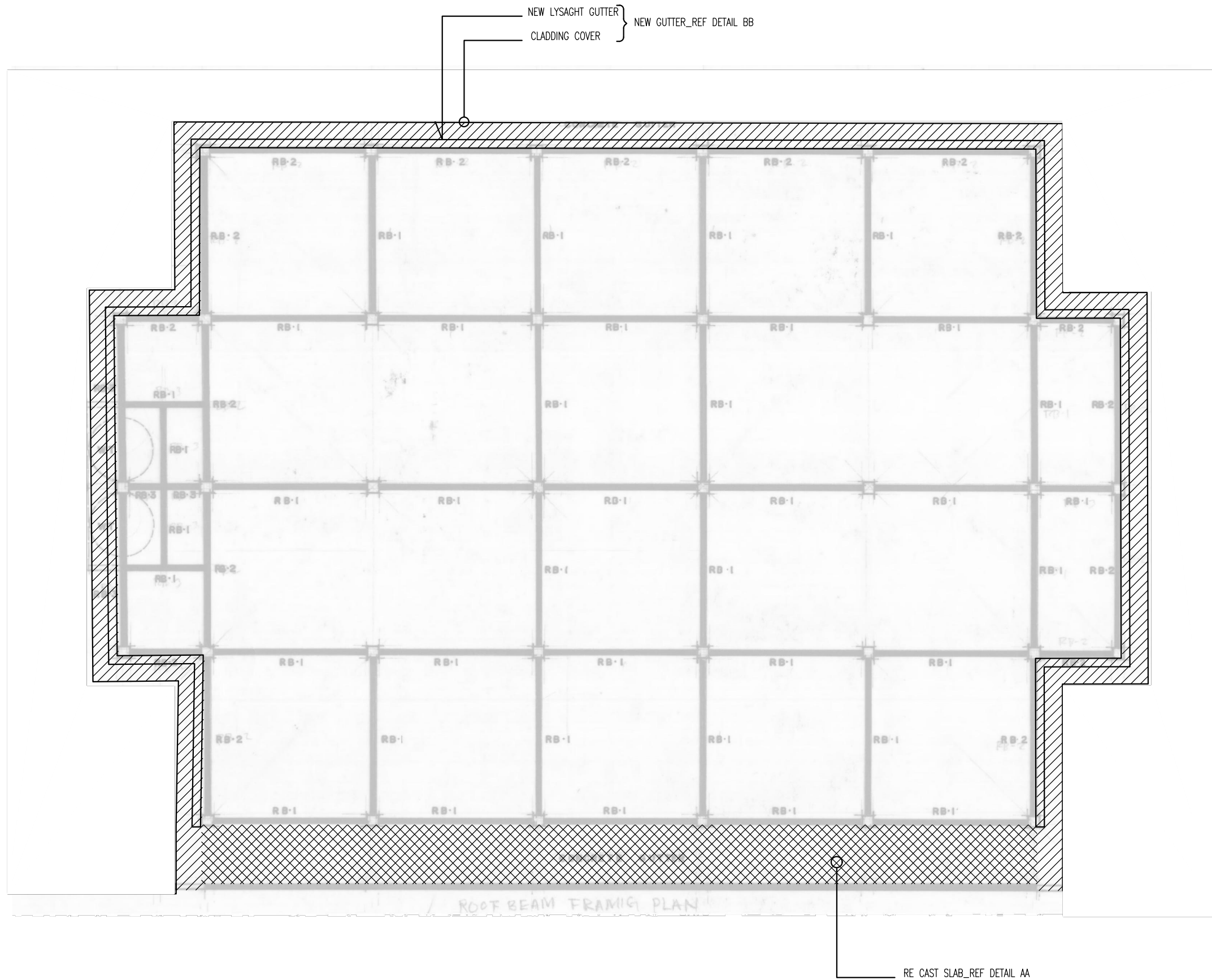
CHECKED BY      CHECKED BY

ARCHITECTURAL DRAWINGS  
SHEET NO.      25-JAN-2023

A-02



GUTTER DEMOLITION PLAN  
SCALE 1:100



INFRASTRUCTURE AND BUILDING DEVELOPMENT  
 MALDIVES POLICE SERVICE

PROJECT TITLE:  
 B.EYDHAFUSHI POLICE STATION RENOVATION

MALDIVES POLICE SERVICE SEAL & SIGN

CONTRACTORS SEAL & SIGN

THE DRAWINGS, CONCEPT AND DESIGN CONTAINED AREA THE PROPERTIES OF MALDIVES POLICE SERVICE. USE OF ANY KIND OR COPY OF WHOLE OR PART OF THIS DRAWING CONCEPT OR DESIGN OR USE ON OTHER PROJECTS OR SITES OTHER THAN THAT SPECIFIED ON THIS DRAWINGS IS STRICTLY PROHIBITED

ARCHITECT/DESIGNER      DRAFTED BY

STRUCTURAL ENGINEER      DRAFTED BY

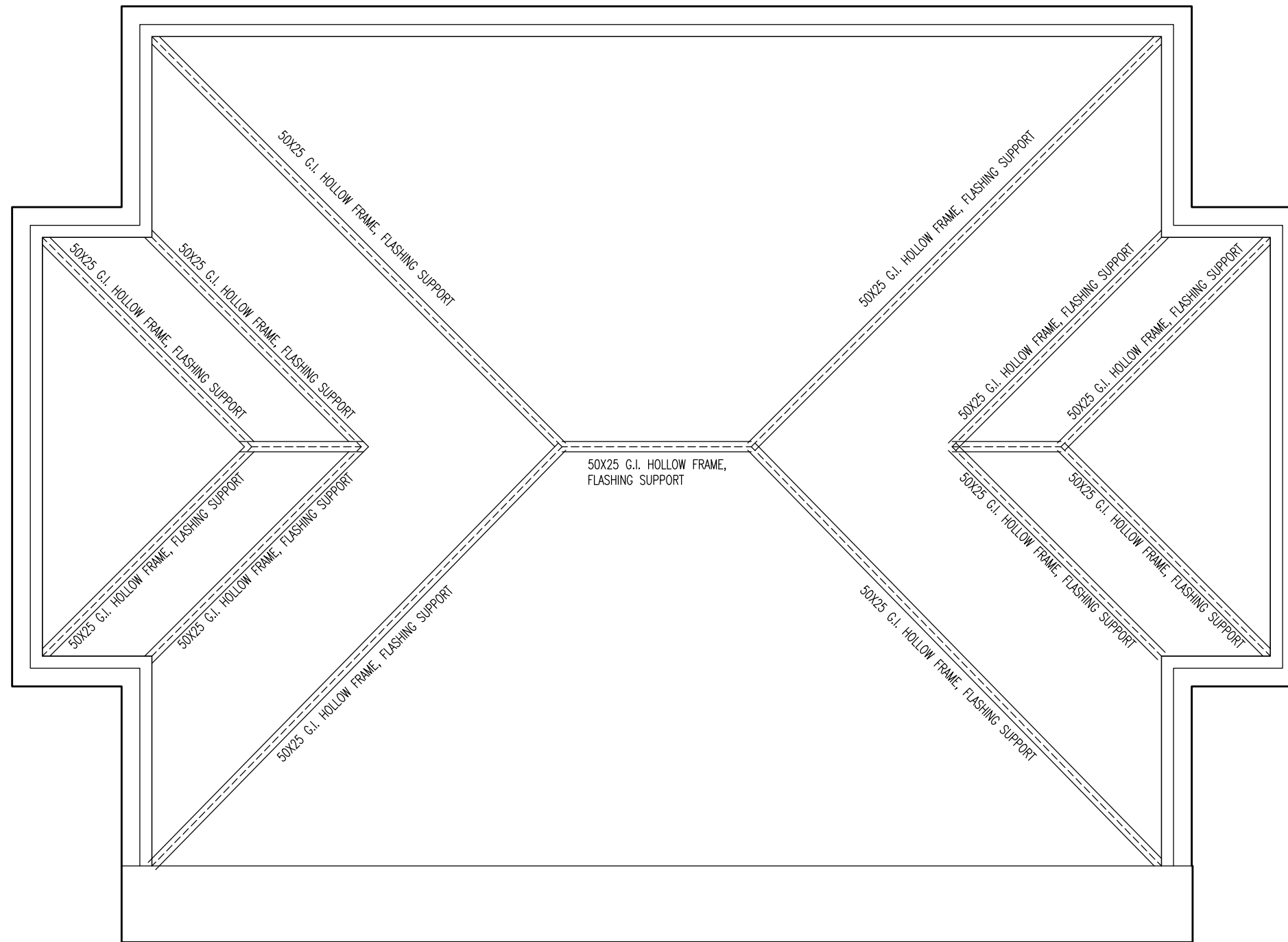
CHECKED BY      CHECKED BY

ARCHITECTURAL DRAWINGS

SHEET NO.      25-JAN-2023


A-03

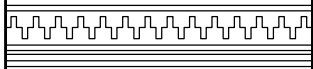
NEW ROOF GUTTER PLAN  
 SCALE 1:100



TIN FLASHING SUPPORT FRAME

SCALE 1:100

INFRASTRUCTURE AND BUILDING DEVELOPMENT  MALDIVES POLICE SERVICE	
PROJECT TITLE: B.EYDHAFUSHI POLICE STATION RENOVATION	
MALDIVES POLICE SERVICE SEAL & SIGN	
CONTRACTORS SEAL & SIGN	
THE DRAWINGS, CONCEPT AND DESIGN CONTAINED AREA THE PROPERTIES OF MALDIVES POLICE SERVICE. USE OF ANY KIND OR COPY OF WHOLE OR PART OF THIS DRAWING CONCEPT OR DESIGN OR USE ON OTHER PROJECTS OR SITES OTHER THAN THAT SPECIFIED ON THIS DRAWINGS IS STRICTLY PROHIBITED	
ARCHITECT/DESIGNER	DRAFTED BY
STRUCTURAL ENGINEER	DRAFTED BY
CHECKED BY	CHECKED BY
ARCHITECTURAL DRAWINGS	
SHEET NO.	25-JAN-2023
A-04	



PROJECT TITLE:  
B.EYDHAFUSHI POLICE STATION RENOVATION

MALDIVES POLICE SERVICE SEAL & SIGN

CONTRACTORS SEAL & SIGN

THE DRAWINGS, CONCEPT AND DESIGN CONTAINED AREA THE PROPERTIES OF MALDIVES POLICE SERVICE. USE OF ANY KIND OR COPY OF WHOLE OR PART OF THIS DRAWING CONCEPT OR DESIGN OR USE ON OTHER PROJECTS OR SITES OTHER THAN THAT SPECIFIED ON THIS DRAWINGS IS STRICTLY PROHIBITED

ARCHITECT/DESIGNER DRAFTED BY

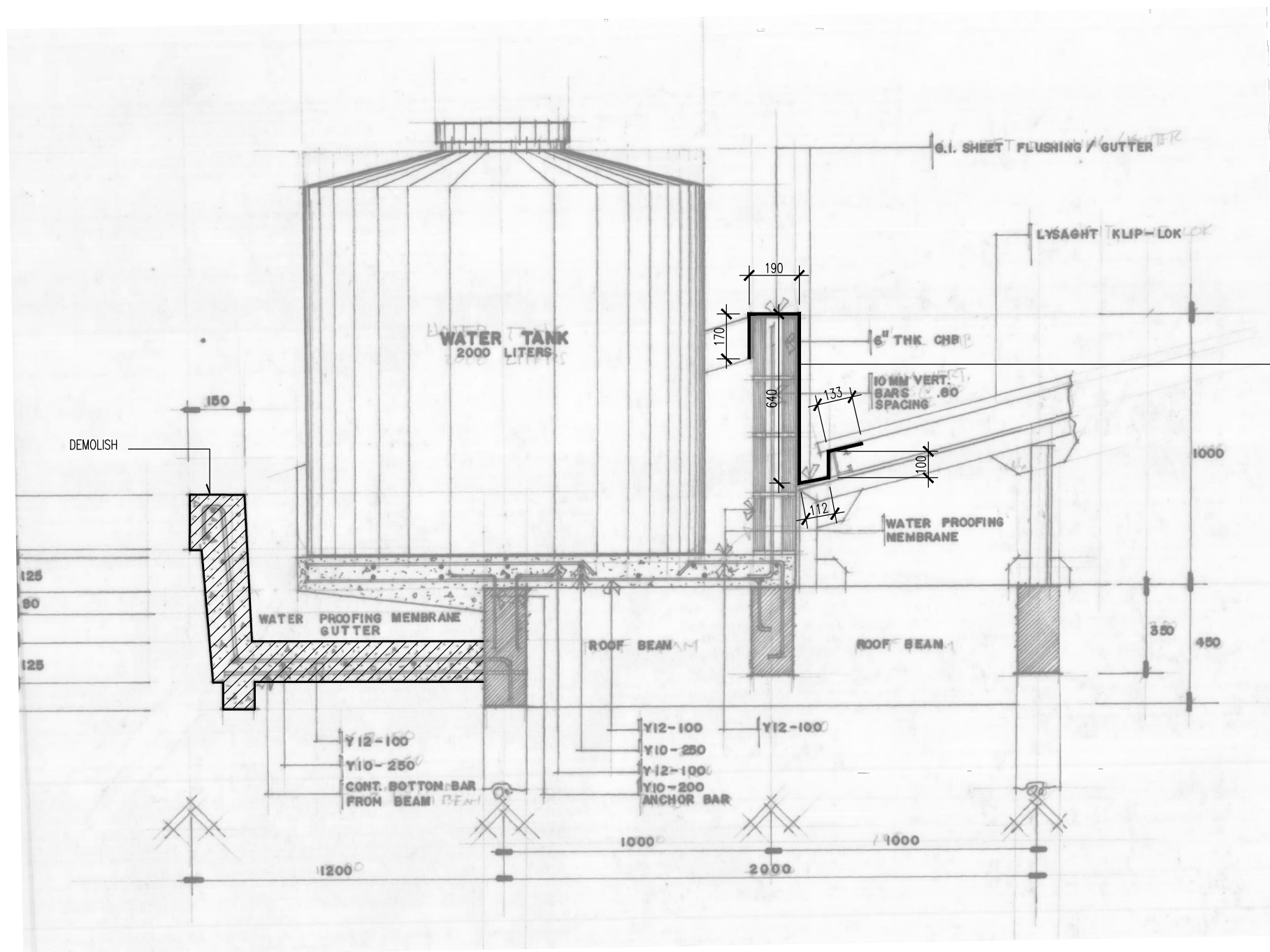
STRUCTURAL ENGINEER DRAFTED BY

CHECKED BY CHECKED BY

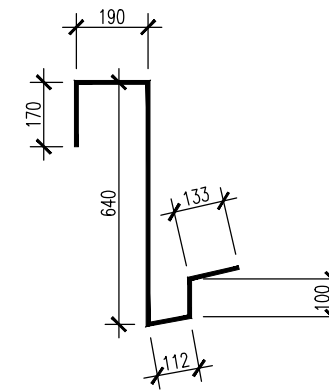
ARCHITECTURAL DRAWINGS

SHEET NO. 25-JAN-2023

A-05



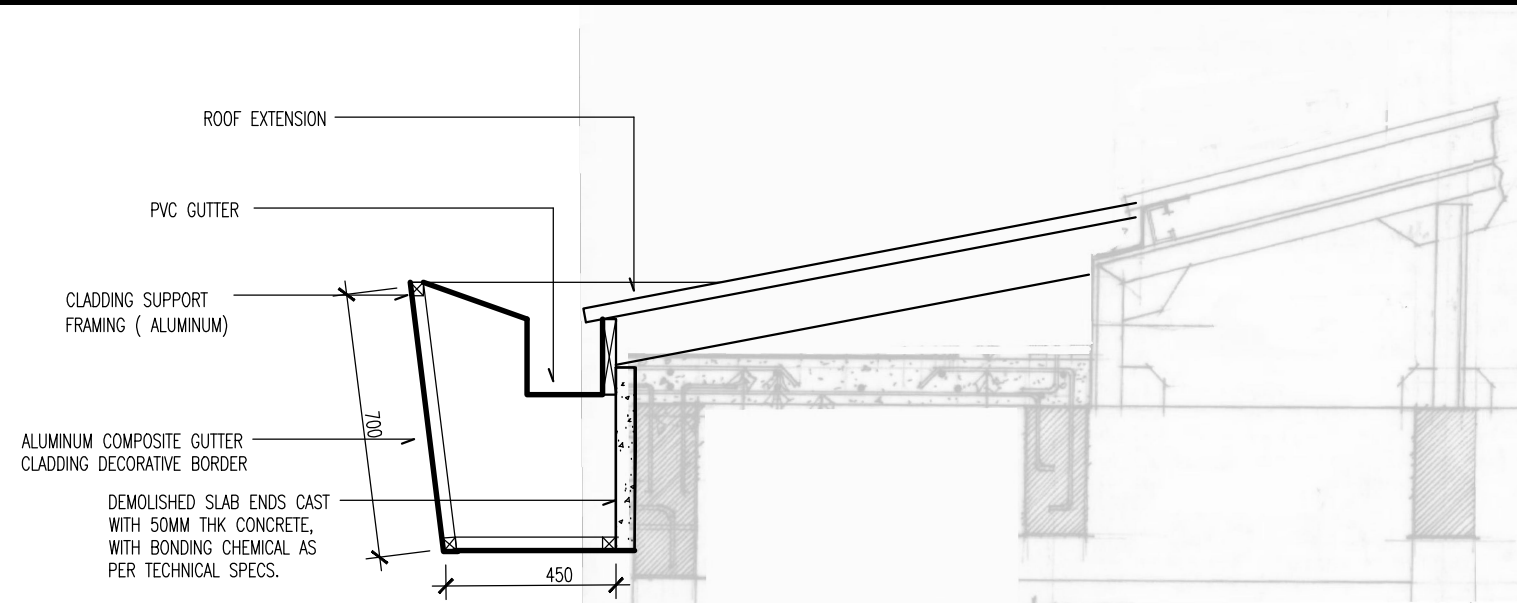
REPLACE EXISTING FLASHING/GUTTER (LYSAGHT)

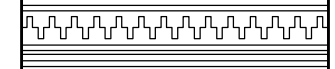


NOTE: Check Measurements at the site prior to fabrication.

DETAIL C  
SCALE 1:20

DETAIL CC  
SCALE 1:20





PROJECT TITLE:  
B.EYDHAFUSHI POLICE STATION RENOVATION

MALDIVES POLICE SERVICE SEAL & SIGN

CONTRACTORS SEAL & SIGN

THE DRAWINGS, CONCEPT AND DESIGN CONTAINED AREA THE PROPERTIES OF MALDIVES POLICE SERVICE. USE OF ANY KIND OR COPY OF WHOLE OR PART OF THIS DRAWING CONCEPT OR DESIGN OR USE ON OTHER PROJECTS OR SITES OTHER THAN THAT SPECIFIED ON THIS DRAWINGS IS STRICTLY PROHIBITED

ARCHITECT/DESIGNER      DRAFTED BY

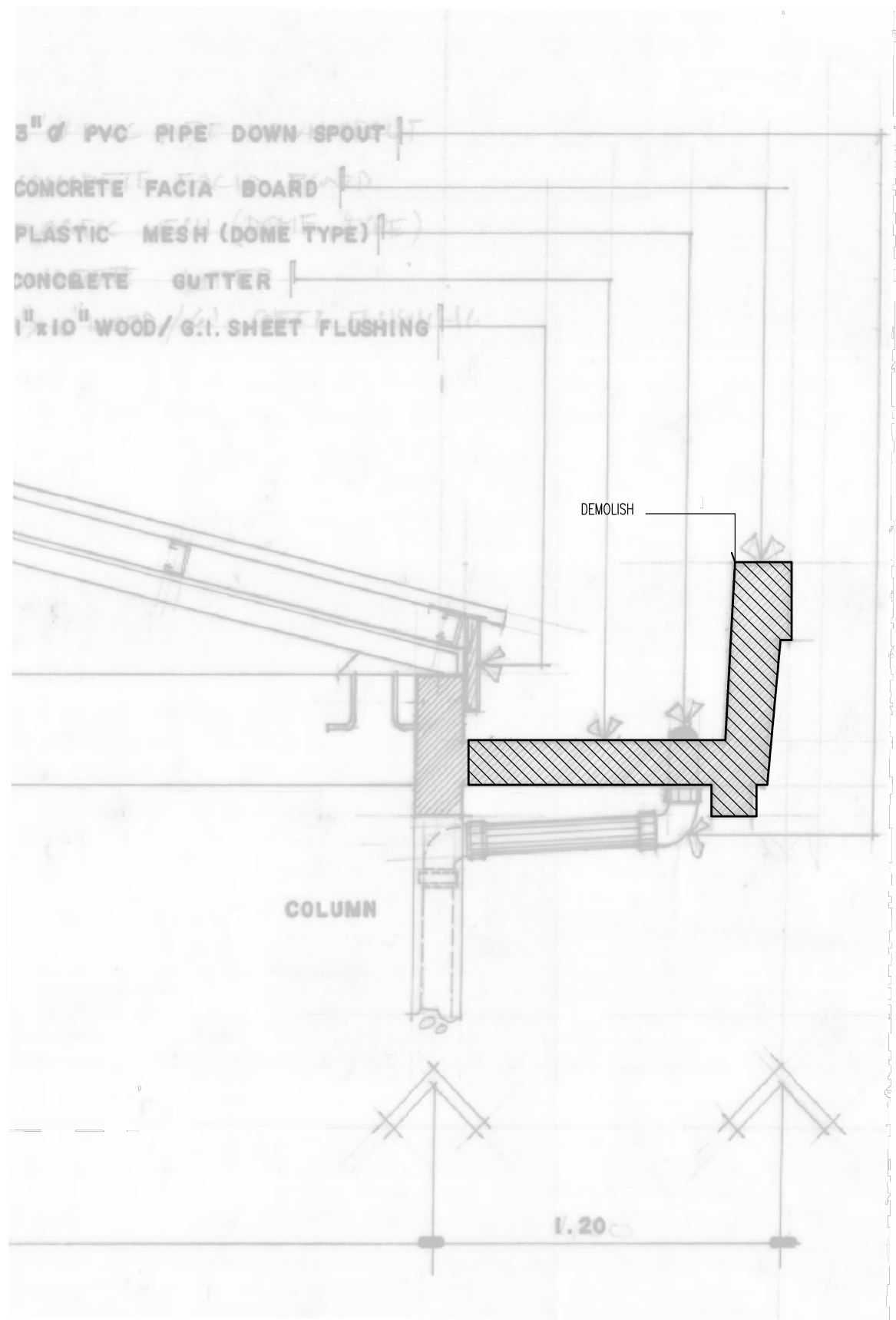
STRUCTURAL ENGINEER      DRAFTED BY

CHECKED BY      CHECKED BY

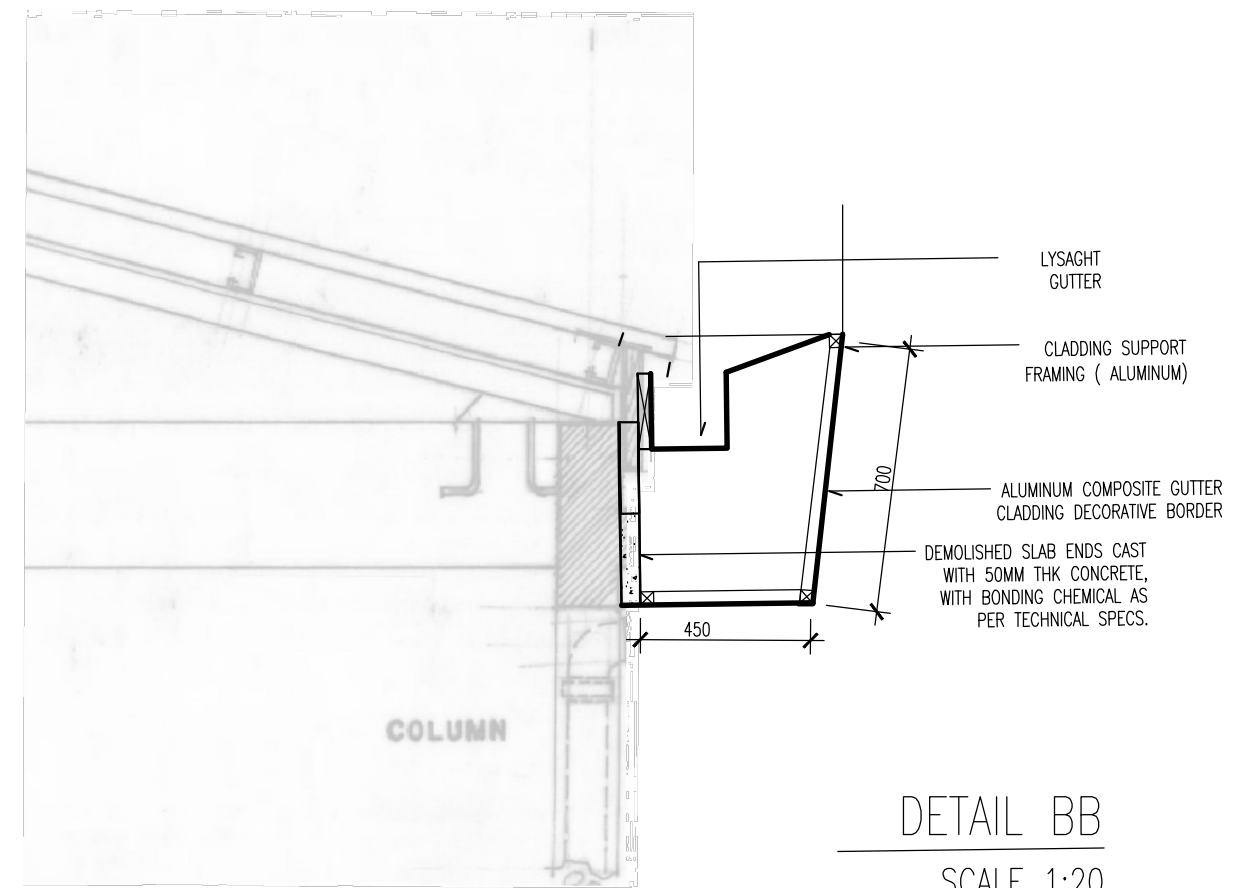
ARCHITECTURAL DRAWINGS

SHEET NO.      25-JAN-2023

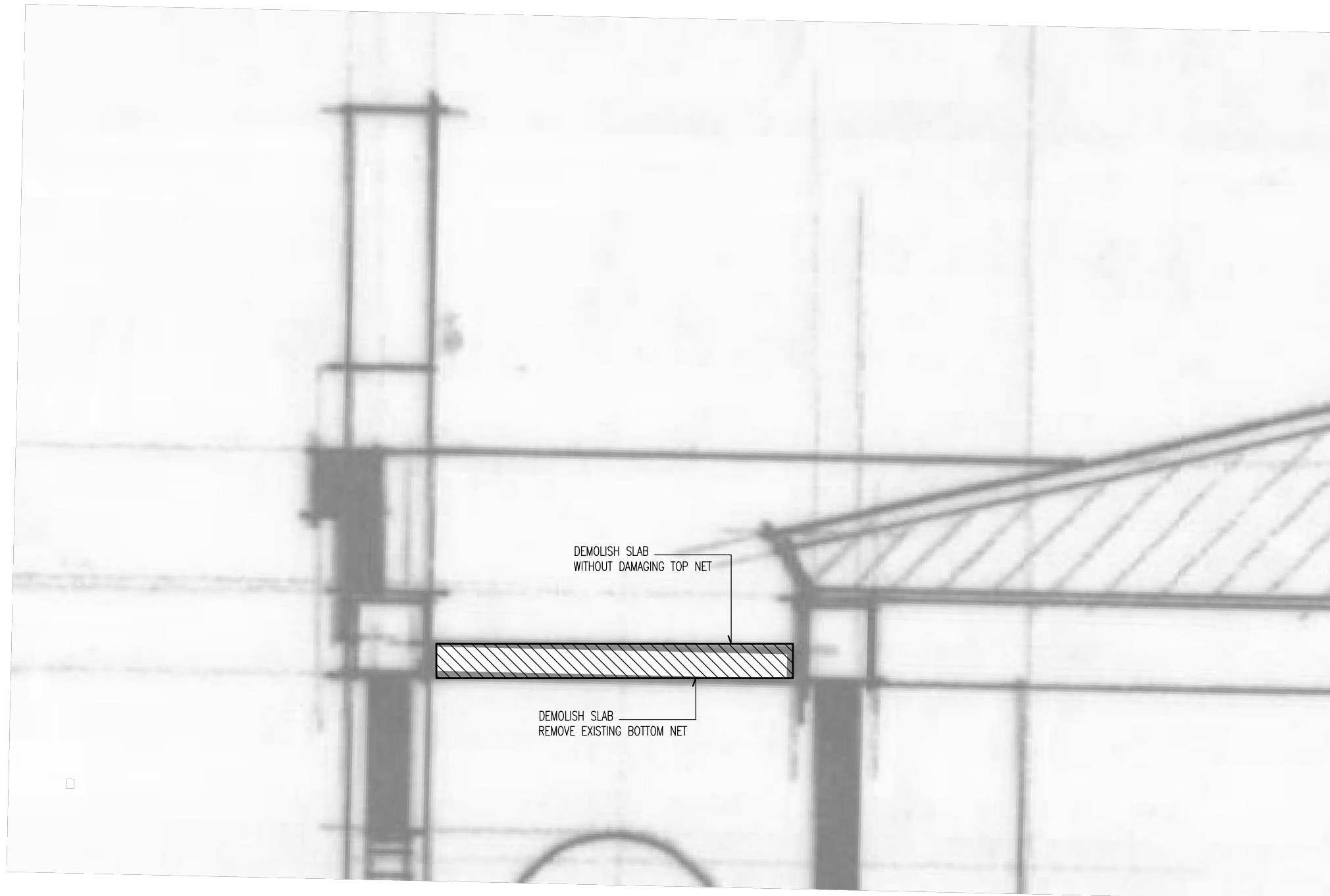
A-06




DETAIL B  
SCALE 1:20



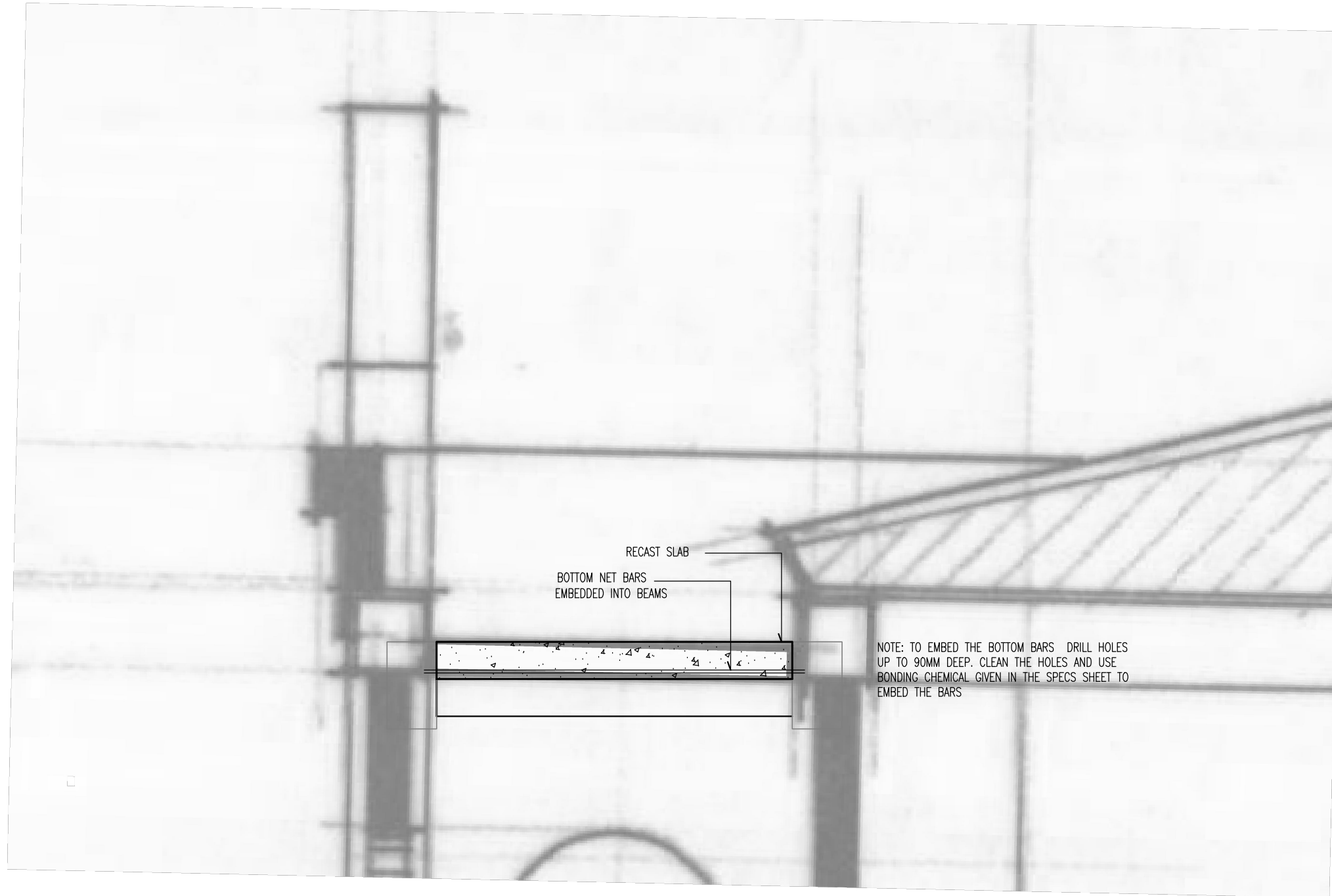
DETAIL BB  
SCALE 1:20



DETAIL A  
SCALE 1:20

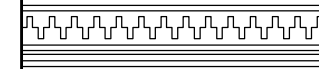
INFRASTRUCTURE AND BUILDING DEVELOPMENT  MALDIVES POLICE SERVICE	
PROJECT TITLE: B.EYDHAFUSHI POLICE STATION RENOVATION	
MALDIVES POLICE SERVICE SEAL & SIGN	
CONTRACTORS SEAL & SIGN	
<small>THE DRAWINGS, CONCEPT AND DESIGN CONTAINED AREA THE PROPERTIES OF MALDIVES POLICE SERVICE. USE OF ANY KIND OR COPY OF WHOLE OR PART OF THIS DRAWING CONCEPT OR DESIGN OR USE ON OTHER PROJECTS OR SITES OTHER THAN THAT SPECIFIED ON THIS DRAWINGS IS STRICTLY PROHIBITED</small>	
ARCHITECT/DESIGNER	DRAFTED BY
STRUCTURAL ENGINEER	DRAFTED BY
CHECKED BY	CHECKED BY
ARCHITECTURAL DRAWINGS	
SHEET NO.	25-JAN-2023
A-07	





DETAIL AA  
SCALE 1:20

INFRASTRUCTURE AND BUILDING DEVELOPMENT MALDIVES POLICE SERVICE	
PROJECT TITLE:	
B.EYDHAFUSHI POLICE STATION RENOVATION	
MALDIVES POLICE SERVICE SEAL & SIGN	
CONTRACTORS SEAL & SIGN	
THE DRAWINGS, CONCEPT AND DESIGN CONTAINED AREA THE PROPERTIES OF MALDIVES POLICE SERVICE. USE OF ANY KIND OR COPY OF WHOLE OR PART OF THIS DRAWING CONCEPT OR DESIGN OR USE ON OTHER PROJECTS OR SITES OTHER THAN THAT SPECIFIED ON THIS DRAWINGS IS STRICTLY PROHIBITED	
ARCHITECT/DESIGNER	DRAFTED BY
STRUCTURAL ENGINEER	DRAFTED BY
CHECKED BY	CHECKED BY
ARCHITECTURAL DRAWINGS	
SHEET NO.	25-JAN-2023
A-08	



PROJECT TITLE:  
B.EYDHAFUSHI POLICE STATION RENOVATION

MALDIVES POLICE SERVICE SEAL & SIGN

CONTRACTORS SEAL & SIGN

THE DRAWINGS, CONCEPT AND DESIGN CONTAINED AREA THE PROPERTIES OF MALDIVES POLICE SERVICE. USE OF ANY KIND OR COPY OF WHOLE OR PART OF THIS DRAWING CONCEPT OR DESIGN OR USE ON OTHER PROJECTS OR SITES OTHER THAN THAT SPECIFIED ON THIS DRAWINGS IS STRICTLY PROHIBITED

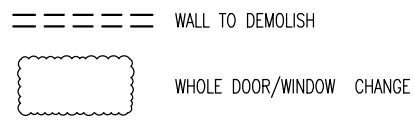
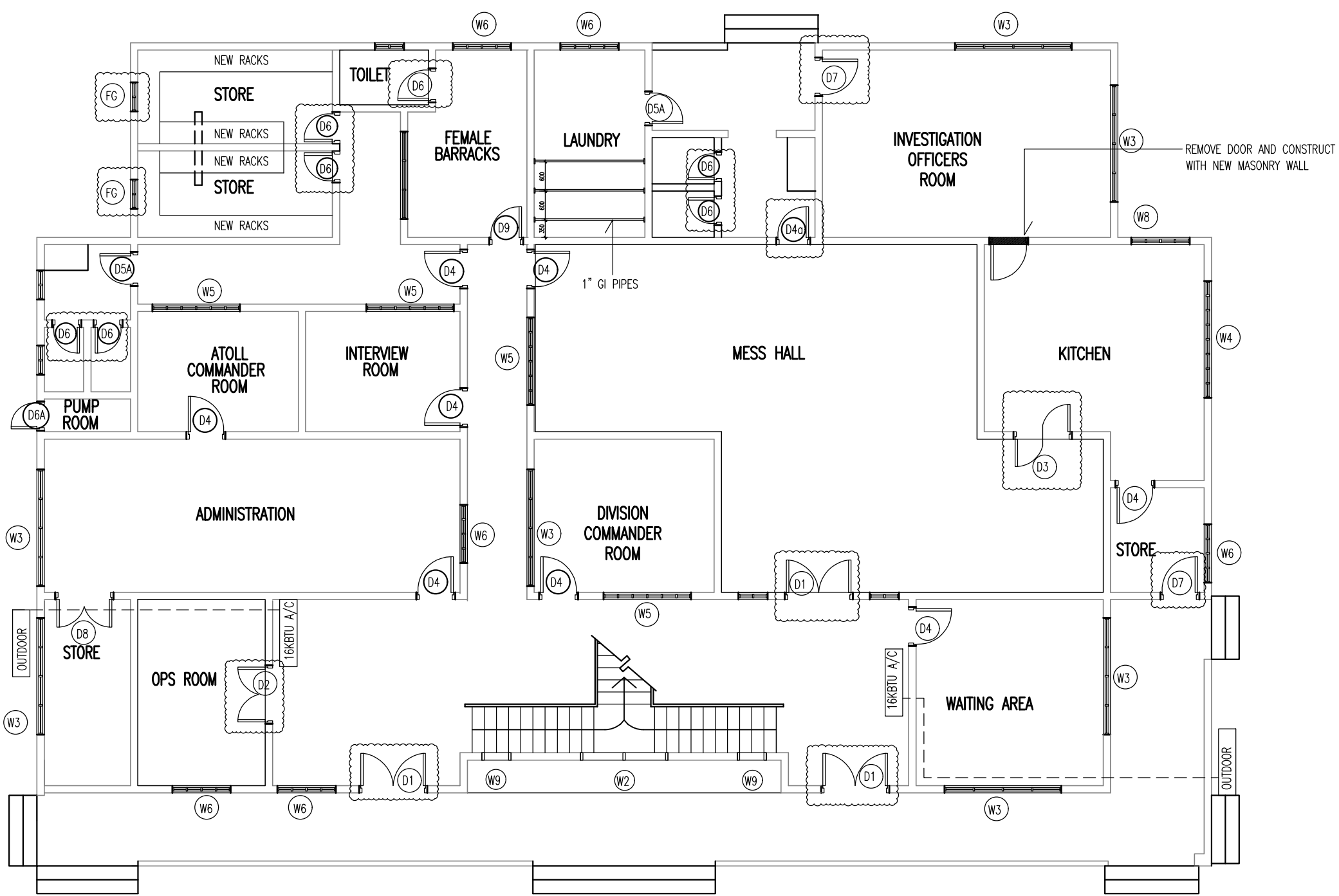
ARCHITECT/DESIGNER      DRAFTED BY

STRUCTURAL ENGINEER      DRAFTED BY

CHECKED BY      CHECKED BY

ARCHITECTURAL DRAWINGS  
SHEET NO.      25-JAN-2023

A-09



GROUND FLOOR PLAN  
SCALE 1:100

PROJECT TITLE:  
B.EYDHAFUSHI POLICE STATION  
RENOVATION

MALDIVES POLICE SERVICE SEAL & SIGN

CONTRACTORS SEAL & SIGN

THE DRAWINGS, CONCEPT AND DESIGN CONTAINED AREA  
THE PROPERTIES OF MALDIVES POLICE SERVICE. USE OF  
ANY KIND OR COPY OF WHOLE OR PART OF THIS  
DRAWING CONCEPT OR DESIGN OR USE ON OTHER  
PROJECTS OR SITES OTHER THAN THAT SPECIFIED ON  
THIS DRAWINGS IS STRICTLY PROHIBITED

ARCHITECT/DESIGNER      DRAFTED BY

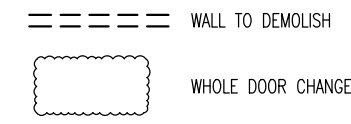
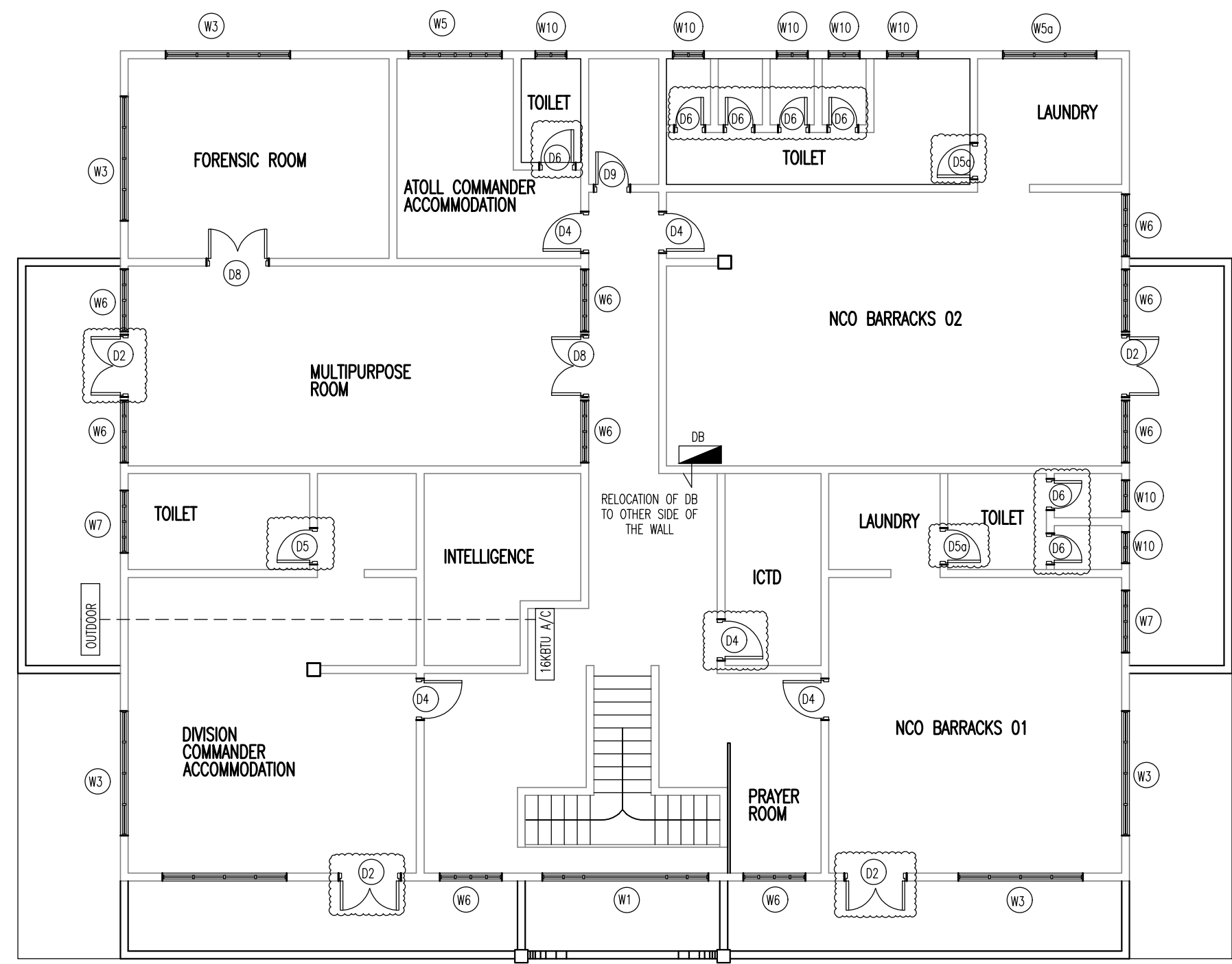
STRUCTURAL ENGINEER      DRAFTED BY

CHECKED BY      CHECKED BY

ARCHITECTURAL DRAWINGS

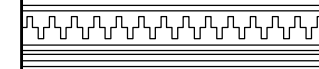
SHEET NO.      08 FEB 2022

A-10



FIRST FLOOR PLAN

SCALE 1:100



PROJECT TITLE:  
B.EYDHAFUSHI POLICE STATION RENOVATION

MALDIVES POLICE SERVICE SEAL & SIGN

CONTRACTORS SEAL & SIGN

THE DRAWINGS, CONCEPT AND DESIGN CONTAINED AREA THE PROPERTIES OF MALDIVES POLICE SERVICE. USE OF ANY KIND OR COPY OF WHOLE OR PART OF THIS DRAWING CONCEPT OR DESIGN OR USE ON OTHER PROJECTS OR SITES OTHER THAN THAT SPECIFIED ON THIS DRAWINGS IS STRICTLY PROHIBITED

ARCHITECT/DESIGNER      DRAFTED BY

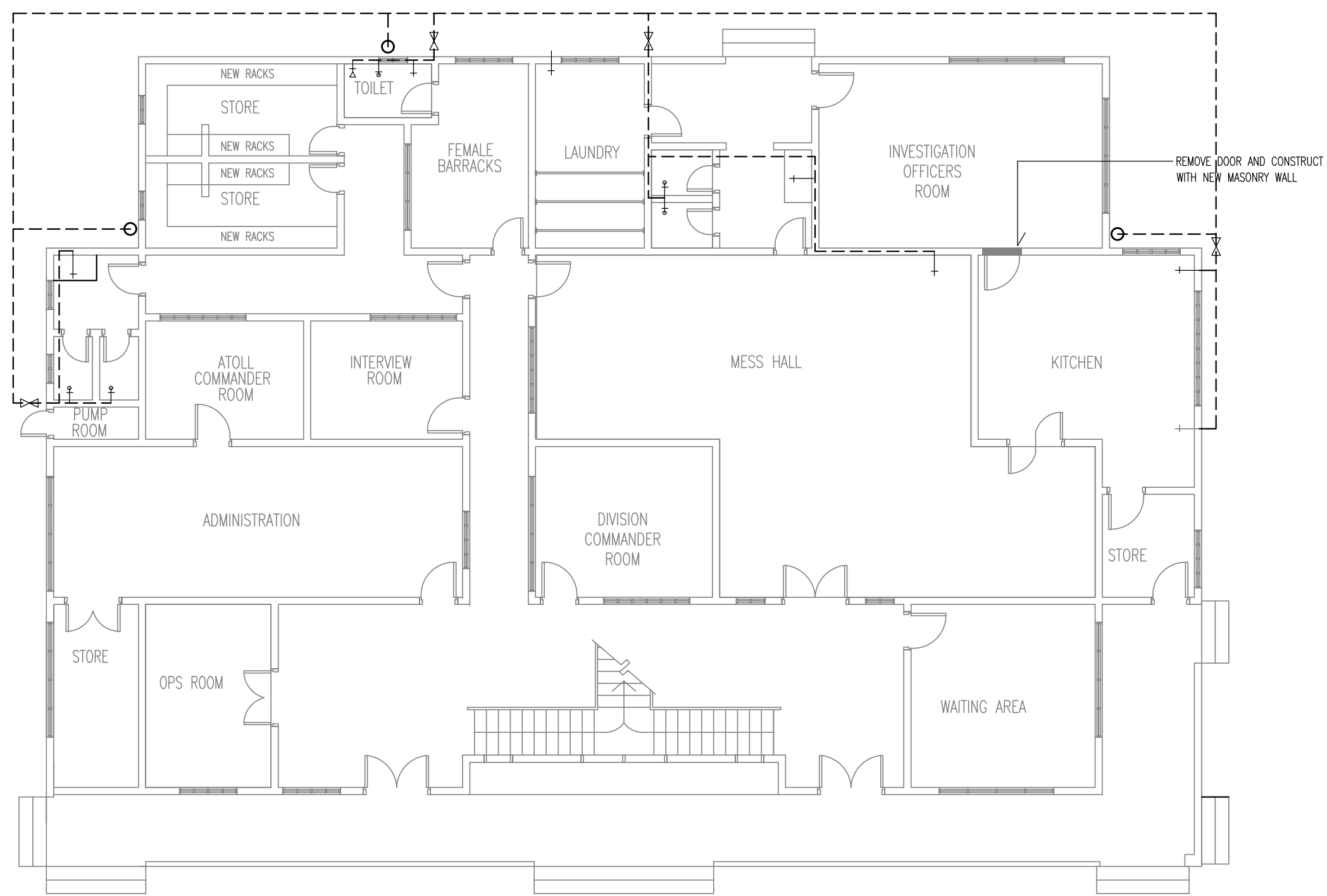
STRUCTURAL ENGINEER      DRAFTED BY

CHECKED BY      CHECKED BY

ARCHITECTURAL DRAWINGS

SHEET NO.      25-JAN-2023

A-11



GROUND FLOOR PLAN (PRESSURE LINE)

SCALE 1:100

- TAP POINT (W.C & MUSLIM SHOWER)
- FAUCET (WASH BASIN)
- WASHING MACHINE TAP
- ⊗ STOP VALVE
- ⊗ SHOWER HEAD@2.1M
- ⊗ STOP VALVE PROVIDED INSIDE

\* ALL MAIN WATER SUPPLY PIPES = 1 INCH HIGH PRESSURE PIPES  
\* INSIDE WALL PIPES = 1/2 INCH HIGH PRESSURE PIPES

PROJECT TITLE:  
B.EYDHAFUSHI POLICE STATION  
RENOVATION

MALDIVES POLICE SERVICE SEAL & SIGN

CONTRACTORS SEAL & SIGN

THE DRAWINGS, CONCEPT AND DESIGN CONTAINED AREA  
THE PROPERTIES OF MALDIVES POLICE SERVICE. USE OF  
ANY KIND OR COPY OF WHOLE OR PART OF THIS  
DRAWING CONCEPT OR DESIGN OR USE ON OTHER  
PROJECTS OR SITES OTHER THAN THAT SPECIFIED ON  
THIS DRAWINGS IS STRICTLY PROHIBITED

ARCHITECT/DESIGNER      DRAFTED BY

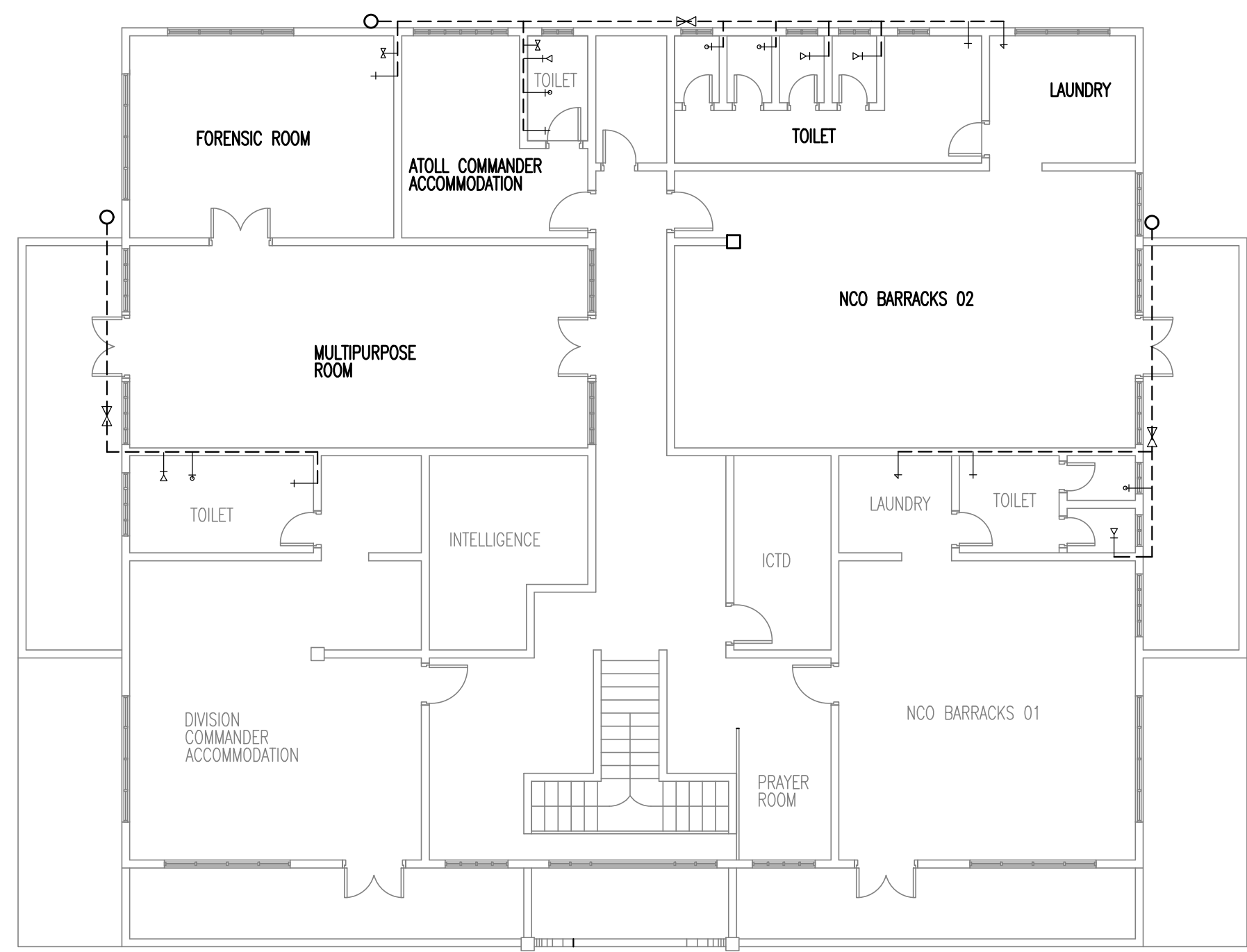
STRUCTURAL ENGINEER      DRAFTED BY

CHECKED BY      CHECKED BY

ARCHITECTURAL DRAWINGS

SHEET NO.      08 FEB 2022

A-12

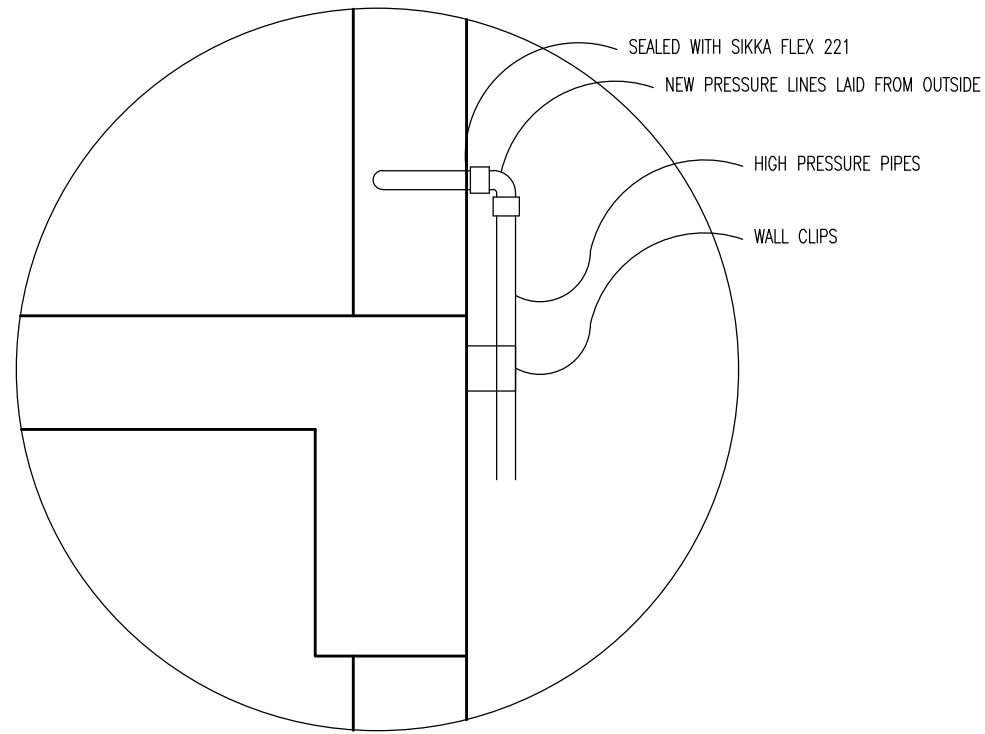


- TAP POINT (W.C & MUSLIM SHOWER)
- FAUCET (WASH BASIN)
- WASHING MACHINE TAP
- ⊗ STOP VALVE
- ⊗ SHOWER HEAD@2.1M
- ⊗ STOP VALVE PROVIDED INSIDE

\* ALL MAIN WATER SUPPLY PIPES = 1 INCH HIGH PRESSURE PIPES  
\* INSIDE WALL PIPES = 1/2 INCH HIGH PRESSURE PIPES

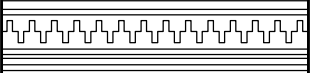
FIRST FLOOR PLAN (PRESSURE LINE)

SCALE 1:100



NEW PRESSURED LINES DETAILS

SCALE 1:10



PROJECT TITLE:  
B.EYDHAFUSHI POLICE STATION  
RENOVATION

MALDIVES POLICE SERVICE SEAL & SIGN

CONTRACTORS SEAL & SIGN

THE DRAWINGS, CONCEPT AND DESIGN CONTAINED AREA THE PROPERTIES OF MALDIVES POLICE SERVICE. USE OF ANY KIND OR COPY OF WHOLE OR PART OF THIS DRAWING CONCEPT OR DESIGN OR USE ON OTHER PROJECTS OR SITES OTHER THAN THAT SPECIFIED ON THIS DRAWINGS IS STRICTLY PROHIBITED

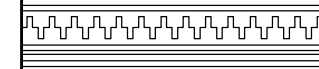
ARCHITECT/DESIGNER      DRAFTED BY

STRUCTURAL ENGINEER      DRAFTED BY

CHECKED BY      CHECKED BY

ARCHITECTURAL DRAWINGS  
SHEET NO.      08 FEB 2022

A-13



PROJECT TITLE:  
B.EYDHAFUSHI POLICE STATION RENOVATION

MALDIVES POLICE SERVICE SEAL & SIGN

CONTRACTORS SEAL & SIGN

THE DRAWINGS, CONCEPT AND DESIGN CONTAINED AREA THE PROPERTIES OF MALDIVES POLICE SERVICE. USE OF ANY KIND OR COPY OF WHOLE OR PART OF THIS DRAWING CONCEPT OR DESIGN OR USE ON OTHER PROJECTS OR SITES OTHER THAN THAT SPECIFIED ON THIS DRAWINGS IS STRICTLY PROHIBITED

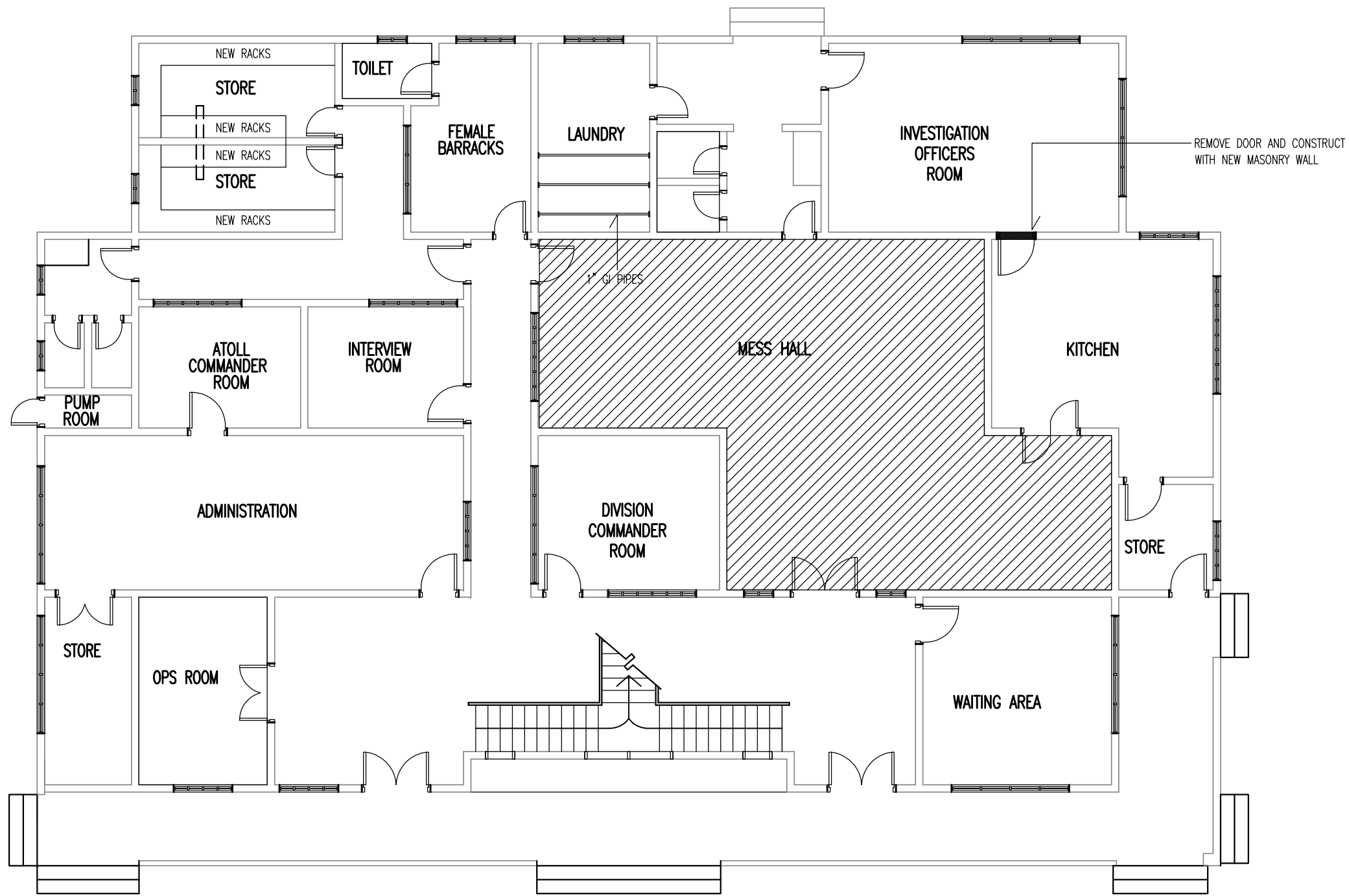
ARCHITECT/DESIGNER      DRAFTED BY

STRUCTURAL ENGINEER      DRAFTED BY

CHECKED BY      CHECKED BY

ARCHITECTURAL DRAWINGS  
SHEET NO.      25-JAN-2023

A-14



- 6MM CEMENT BOARD CEILING
- 9MM GYPSUM BOARD CEILING

GROUND FLOOR PLAN (NEW CEILINGS)  
SCALE 1:100

PROJECT TITLE:  
 B.EYDHAFUSHI POLICE STATION  
 RENOVATION

MALDIVES POLICE SERVICE SEAL & SIGN

CONTRACTORS SEAL & SIGN

THE DRAWINGS, CONCEPT AND DESIGN CONTAINED AREA  
 THE PROPERTIES OF MALDIVES POLICE SERVICE. USE OF  
 ANY KIND OR COPY OF WHOLE OR PART OF THIS  
 DRAWING CONCEPT OR DESIGN OR USE ON OTHER  
 PROJECTS OR SITES OTHER THAN THAT SPECIFIED ON  
 THIS DRAWINGS IS STRICTLY PROHIBITED

ARCHITECT/DESIGNER      DRAFTED BY

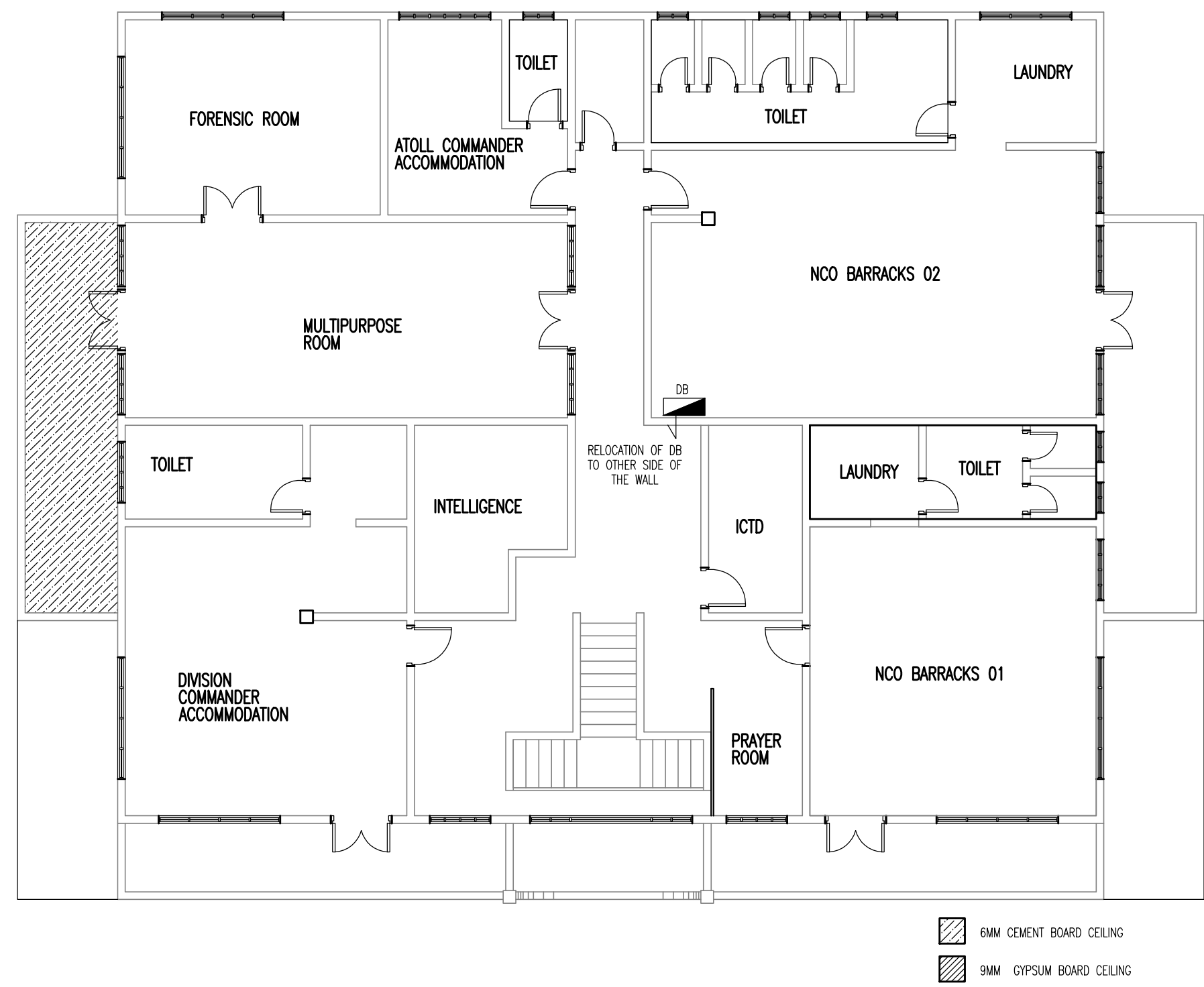
STRUCTURAL ENGINEER      DRAFTED BY

CHECKED BY      CHECKED BY

ARCHITECTURAL DRAWINGS

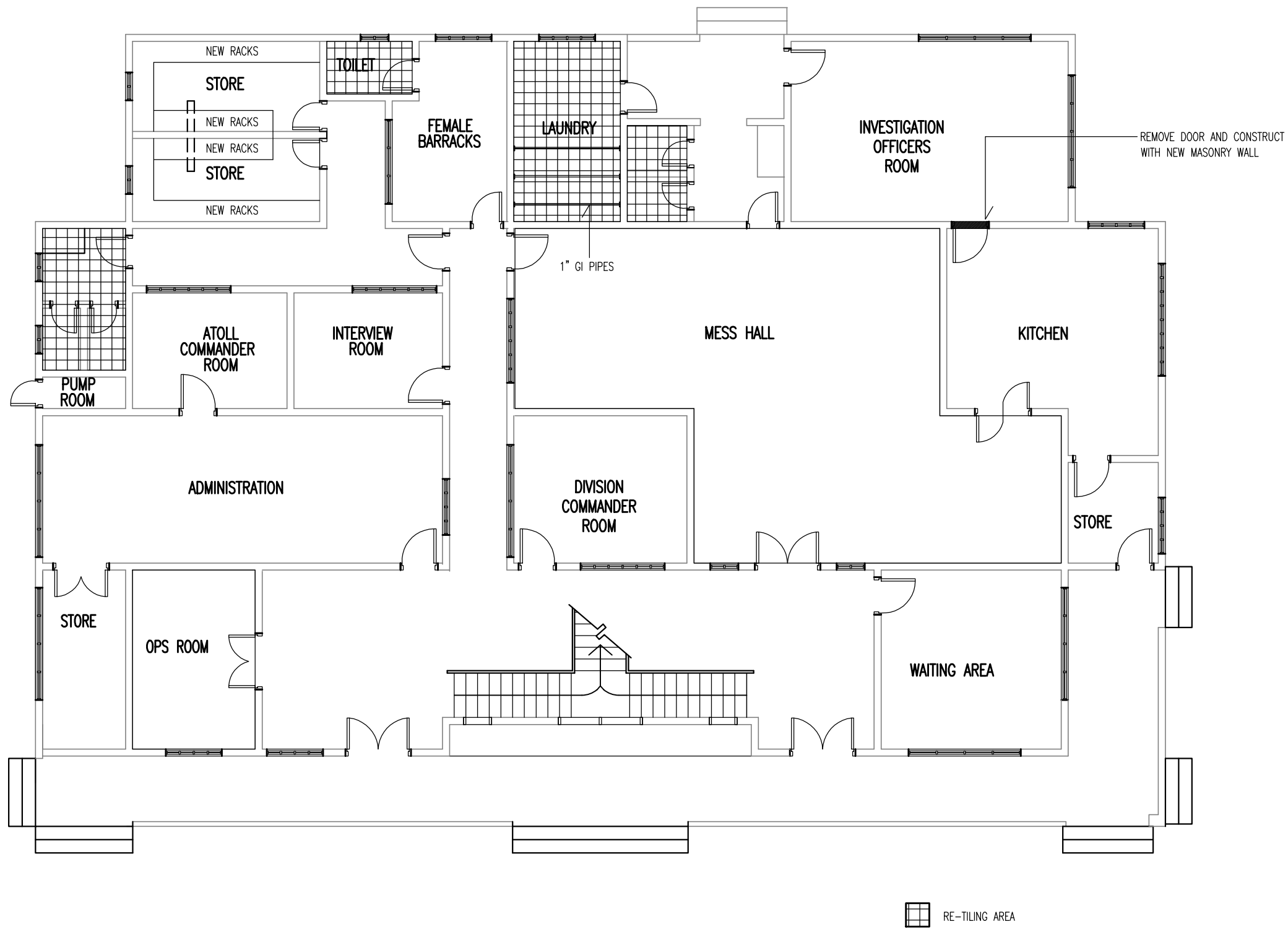
SHEET NO.      08 FEB 2022

A-15



FIRST FLOOR PLAN(NEW CEILINGS)  
 SCALE 1:100





PROJECT TITLE:  
B.EYDHAFUSHI POLICE STATION RENOVATION

MALDIVES POLICE SERVICE SEAL & SIGN

CONTRACTORS SEAL & SIGN

THE DRAWINGS, CONCEPT AND DESIGN CONTAINED AREA THE PROPERTIES OF MALDIVES POLICE SERVICE. USE OF ANY KIND OR COPY OF WHOLE OR PART OF THIS DRAWING CONCEPT OR DESIGN OR USE ON OTHER PROJECTS OR SITES OTHER THAN THAT SPECIFIED ON THIS DRAWINGS IS STRICTLY PROHIBITED

ARCHITECT/DESIGNER      DRAFTED BY

STRUCTURAL ENGINEER      DRAFTED BY

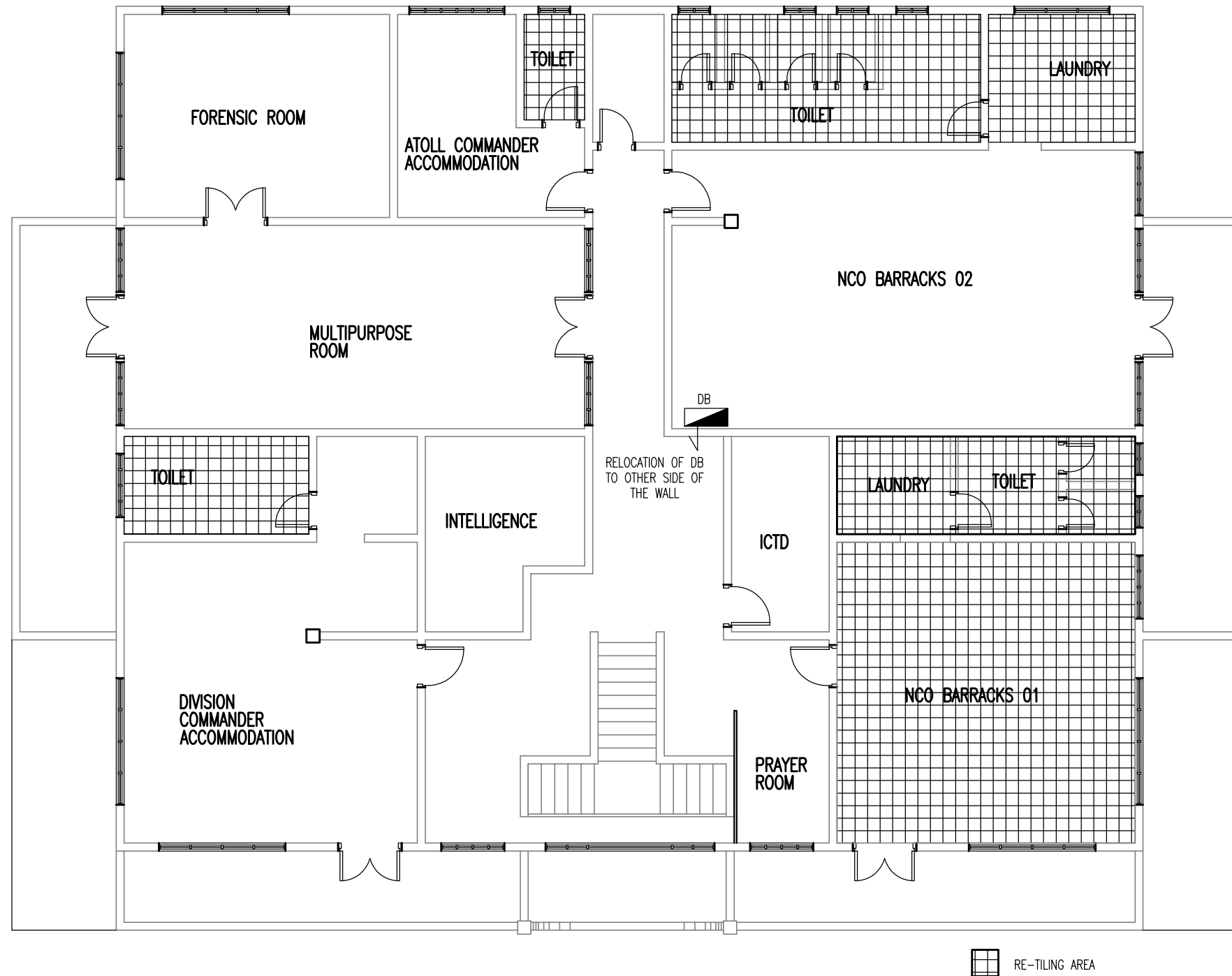
CHECKED BY      CHECKED BY

ARCHITECTURAL DRAWINGS

SHEET NO.      25-JAN-2023

A-16

GROUND FLOOR PLAN(RE-TILING)  
SCALE 1:100



FIRST FLOOR PLAN(RE-TILING)  
SCALE 1:100

FINANCE AND ASSET MANAGEMENT INFRASTRUCTURE UNIT MALDIVES POLICE SERVICE	
PROJECT TITLE: B.EYDHAFUSHI POLICE STATION RENOVATION	
MALDIVES POLICE SERVICE SEAL & SIGN	
CONTRACTORS SEAL & SIGN	
<small>THE DRAWINGS, CONCEPT AND DESIGN CONTAINED AREA THE PROPERTIES OF MALDIVES POLICE SERVICE. USE OF ANY KIND OR COPY OF WHOLE OR PART OF THIS DRAWING CONCEPT OR DESIGN OR USE ON OTHER PROJECTS OR SITES OTHER THAN THAT SPECIFIED ON THIS DRAWINGS IS STRICTLY PROHIBITED</small>	
ARCHITECT/DESIGNER	DRAFTED BY
STRUCTURAL ENGINEER	DRAFTED BY
CHECKED BY	CHECKED BY
ARCHITECTURAL DRAWINGS	
SHEET NO.	08 FEB 2022
A-17	

D1	AREA	2.94 SQM
	OPEN AREA	2.75 SQM
DESCRIPTION	ENTRANCE DOOR	
MATERIALS	ALUMINUM, CLADDING AND GLASS	
ACCESSORIES	<ul style="list-style-type: none"> <li>- WEATHER SEALING, 4 NOS LATCH LOCKS</li> <li>- 4 NOS BEARING HINGE/SIDE, SS HANDLE</li> <li>- MORTISE LOCK, PNEUMATIC DOOR CLOSER,</li> <li>- FLOOR FIX MAGNETIC DOOR STOPPER</li> <li>- BOTTOM SWEEP NYLON BRUSH</li> </ul>	
FINISHING	POWDER COATED WHITE	

D2	AREA	2.52 SQM
	OPEN AREA	2.33 SQM
DESCRIPTION	ENTRANCE DOOR	
MATERIALS	ALUMINUM, CLADDING AND GLASS	
ACCESSORIES	<ul style="list-style-type: none"> <li>- WEATHER SEALING, 4 NOS LATCH LOCKS</li> <li>- 4 NOS BEARING HINGE/SIDE, SS HANDLE</li> <li>- MORTISE LOCK, PNEUMATIC DOOR CLOSER,</li> <li>- FLOOR FIX MAGNETIC DOOR STOPPER</li> <li>- BOTTOM SWEEP NYLON BRUSH</li> </ul>	
FINISHING	POWDER COATED WHITE	

D3	AREA	2.52 SQM
	OPEN AREA	2.33 SQM
DESCRIPTION	ENTRANCE DOOR (DOUBLE SWING)	
MATERIALS	ALUMINUM, CLADDING AND GLASS	
ACCESSORIES	<ul style="list-style-type: none"> <li>- WEATHER SEALING</li> <li>- 4 NOS BEARING HINGE/SIDE</li> <li>- MORTISE LOCK, PNEUMATIC DOOR CLOSER,</li> <li>- FLOOR FIX MAGNETIC DOOR STOPPER</li> <li>- BOTTOM SWEEP NYLON BRUSH</li> </ul>	
FINISHING	POWDER COATED WHITE	

D4a	AREA	1.68 SQM
	OPEN AREA	1.43 SQM
DESCRIPTION	WOODEN DOOR	
MATERIALS	WOOD & GLASS	
ACCESSORIES	<ul style="list-style-type: none"> <li>- WEATHER SEALING</li> <li>- 4 NOS BEARING HINGE</li> <li>- MORTISE LOCK, PNEUMATIC DOOR CLOSER,</li> <li>- FLOOR FIX MAGNETIC DOOR STOPPER</li> <li>- BOTTOM SWEEP NYLON BRUSH</li> </ul>	
FINISHING	OIL BASED PAINT	

D5	AREA	1.47 SQM
	OPEN AREA	1.30 SQM
DESCRIPTION	ENTRANCE DOOR (TOILET & SHOWER)	
MATERIALS	FIBER/ALUMINUM	
ACCESSORIES	<ul style="list-style-type: none"> <li>- 4 NOS BEARING HINGE [WITH SS SCREWS]</li> <li>- KEYLESS KNOB LOCK,</li> <li>- FLOOR FIX MAGNETIC DOOR STOPPER</li> </ul>	
FINISHING	WHITE COLOR	

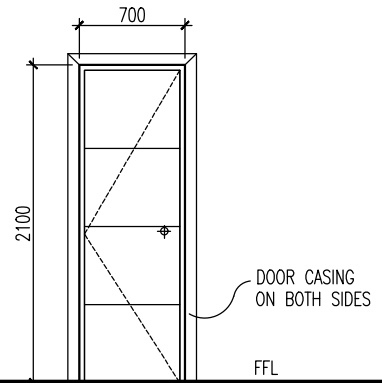
D5a	AREA	1.47 SQM
	OPEN AREA	1.30 SQM
DESCRIPTION	LAUNDRY DOOR	
MATERIALS	ALUMINUM	
ACCESSORIES	<ul style="list-style-type: none"> <li>- 4 NOS BEARING HINGE [WITH SS SCREWS]</li> <li>- KEYLESS KNOB LOCK,</li> <li>- FLOOR FIX MAGNETIC DOOR STOPPER</li> </ul>	
FINISHING	WHITE COLOR	

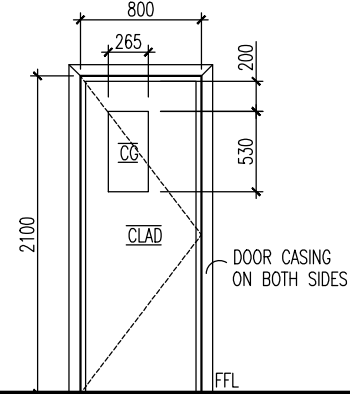
1. CONFIRM ACTUAL MEASUREMENTS ON SITE BEFORE FABRICATION
  2. SUBMIT ACCESSORIES AND SHOP DRAWINGS FOR APPROVAL
  3. FOR DOOR SWING REFER FLOOR PLANES
  4. INSTALL LINTEL BEAM ABOVE DOORS/WINDOWS NOT TOUCHING BEAM BOTTOM
  5. INSTALL SILL BEAM BELOW WINDOWS
  6. ALL DOOR/WINDOWS VIEWED FROM EXTERIOR
- NGL= NATURAL GROUND LEVEL FFL= FINISHED FLOOR LEVEL FG= FIXED GLASS  
WD=WOOD CG=CLEAR CLAD=ALUMINUM CLADDING GLASS LW=LOUVERS RG=REFLECTIVE GLASS

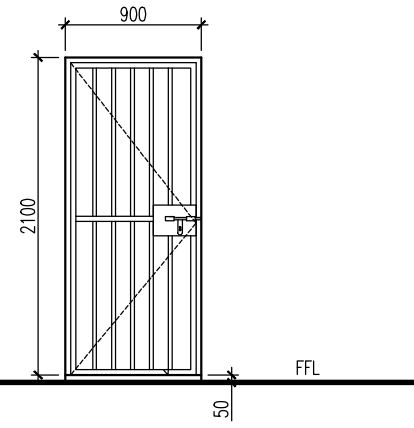
## DOOR WINDOW SCHEDULE

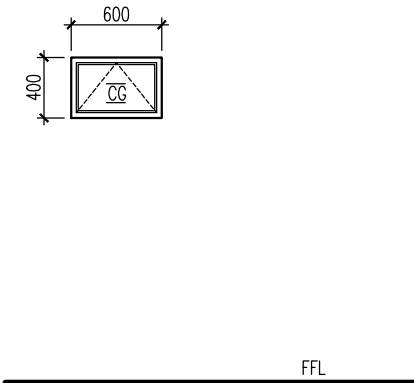
SCALE 1:50

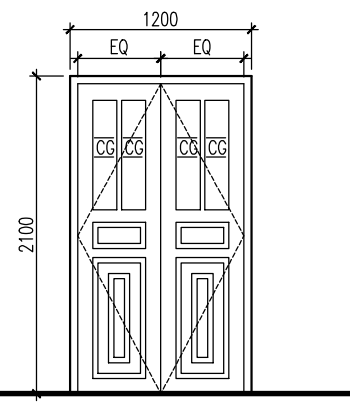
FINANCE AND ASSET MANAGEMENT INFRASTRUCTURE UNIT MALDIVES POLICE SERVICE	
PROJECT TITLE:	
N. MANDHOO POLICE STATION	
MALDIVES POLICE SERVICE SEAL & SIGN	
CONTRACTORS SEAL & SIGN	
THE DRAWINGS, CONCEPT AND DESIGN CONTAINED AREA THE PROPERTIES OF MALDIVES POLICE SERVICE. USE OF ANY KIND OR COPY OF WHOLE OR PART OF THIS DRAWING CONCEPT OR DESIGN OR USE ON OTHER PROJECTS OR SITES OTHER THAN THAT SPECIFIED ON THIS DRAWINGS IS STRICTLY PROHIBITED	
ARCHITECT/DESIGNER	DRAFTED BY
ASSISTANT DIRECTOR AHMED SADHEEM	SUB INSP OF POLICE MOHAMED FALAAH
STRUCTURAL ENGINEER	DRAFTED BY
SUB INSP OF POLICE FAZEEN	SUB INSP OF POLICE MOHAMED FALAAH
CHECKED BY	CHECKED BY
ASSISTANT DIRECTOR AHMED SADHEEM	SUB INSP OF POLICE AHMED NIZAL
ARCHITECTURAL DRAWINGS	
SHEET NO.	DATE: 19 AUG 2021
A-18	

D6	AREA	1.26 SQM
	OPEN AREA	1.09 SQM
		
DESCRIPTION	TOILET DOOR	
MATERIALS	FIBER/ALUMINUM	
ACCESSORIES	<ul style="list-style-type: none"> <li>- 4 NOS BEARING HINGE [WITH SS SCREWS]</li> <li>- KEYLESS KNOB LOCK,</li> <li>- FLOOR FIX MAGNETIC DOOR STOPPER</li> </ul>	
FINISHING	WHITE COLOR	

D7	AREA	1.68 SQM
	OPEN AREA	1.43 SQM
		
DESCRIPTION	DOOR	
MATERIALS	FIBER/ALUMINUM	
ACCESSORIES	<ul style="list-style-type: none"> <li>- WEATHER SEALING</li> <li>- 4 NOS BEARING HINGE/SIDE</li> <li>- MORTISE LOCK,PNEUMETIC DOOR CLOSER,</li> <li>- FLOOR FIX MAGNETIC DOOR STOPPER</li> <li>- BOTTOM SWEEP NYLON BRUSH</li> </ul>	
FINISHING	WHITE COLOR	

GD1	AREA	1.89 SQM
	OPEN AREA	N/A
		
DESCRIPTION	CELL BLOCK YARD DOOR	
MATERIALS	G.I. L SECTION & 1" DIA G.I. BARS	
ACCESSORIES	<ul style="list-style-type: none"> <li>- 4 NOS GATE HINGE</li> <li>- LATCH LOCK WITH PAD LOCK PROVISION</li> </ul>	
FINISHING	OIL BASED PAINT	


FG1	AREA	1.89 SQM
	OPEN AREA	N/A
		
DESCRIPTION	FIXED GLASS	
MATERIALS	ALUMINUM, GLASS	
ACCESSORIES	<ul style="list-style-type: none"> <li>- WEATHER SEALING</li> </ul>	
FINISHING	WHITE COATED ALUMINUM	

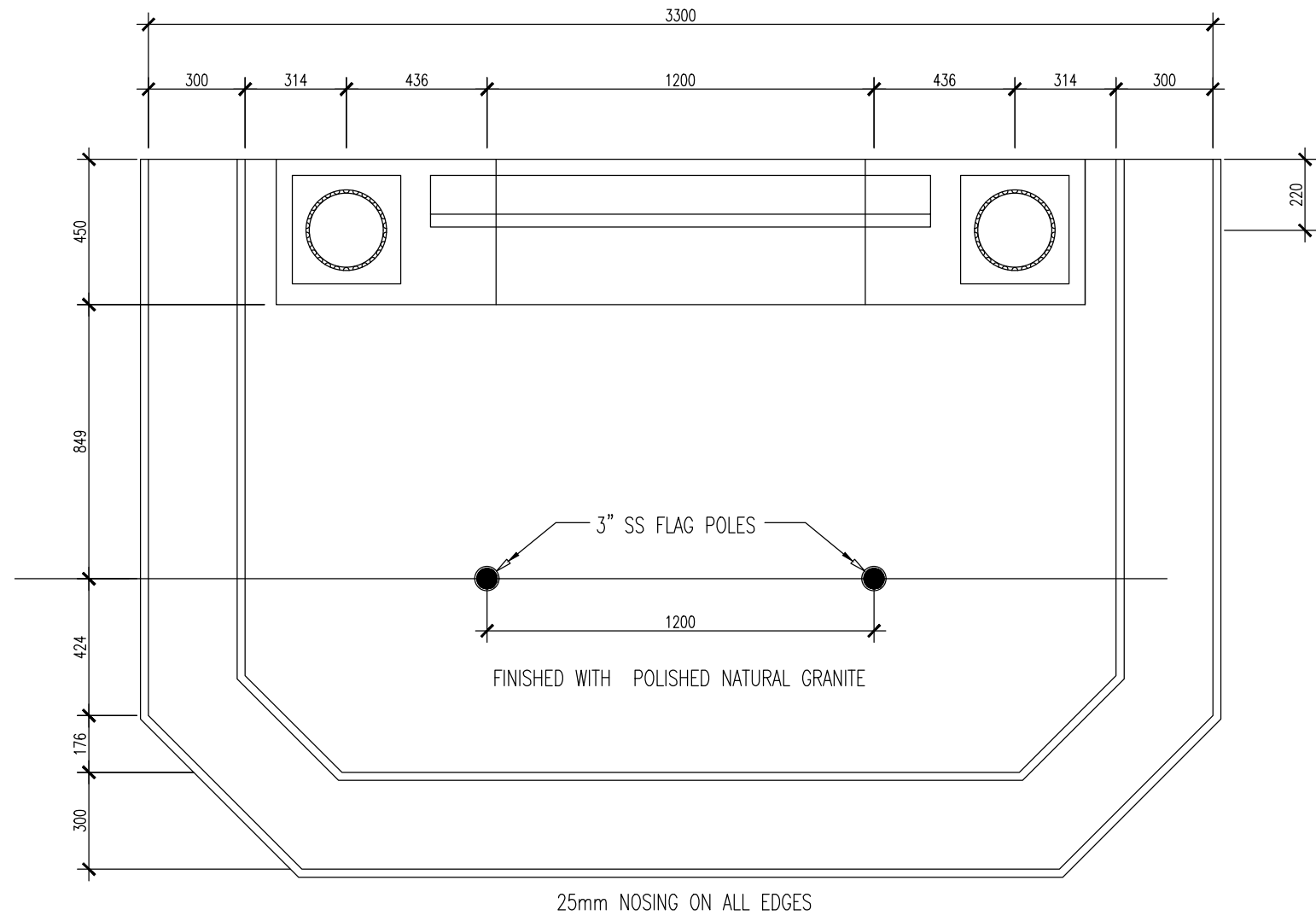
D8	AREA	
	OPEN AREA	
		
DESCRIPTION	WOODEN DOOR	
MATERIALS	WOOD	
ACCESSORIES	<ul style="list-style-type: none"> <li>- WEATHER SEALING</li> <li>- 4 NOS BEARING HINGE</li> <li>- MORTISE LOCK,PNEUMETIC DOOR CLOSER,</li> <li>- FLOOR FIX MAGNETIC DOOR STOPPER</li> <li>- BOTTOM SWEEP NYLON BRUSH</li> </ul>	
FINISHING	OIL BASED PAINT	

1. CONFIRM ACTUAL MEASUREMENTS ON SITE BEFORE FABRICATION
  2. SUBMIT ACCESSORIES AND SHOP DRAWINGS FOR APPROVAL
  3. FOR DOOR SWING REFER FLOOR PLANES
  4. INSTALL LINTEL BEAM ABOVE DOORS/WINDOWS NOT TOUCHING BEAM BOTTOM
  5. INSTALL SILL BEAM BELOW WINDOWS
  6. ALL DOOR/WINDOWS VIEWED FROM EXTERIOR
- NGL= NATURAL GROUND LEVEL FFL= FINISHED FLOOR LEVEL FG= FIXED GLASS  
WD=WOOD CG=CLEAR CLA=ALUMINUM CLADDING GLASS LW=LOUVERS RG=REFLECTIVE GLASS


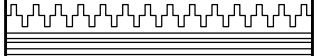
## DOOR WINDOW SCHEDULE

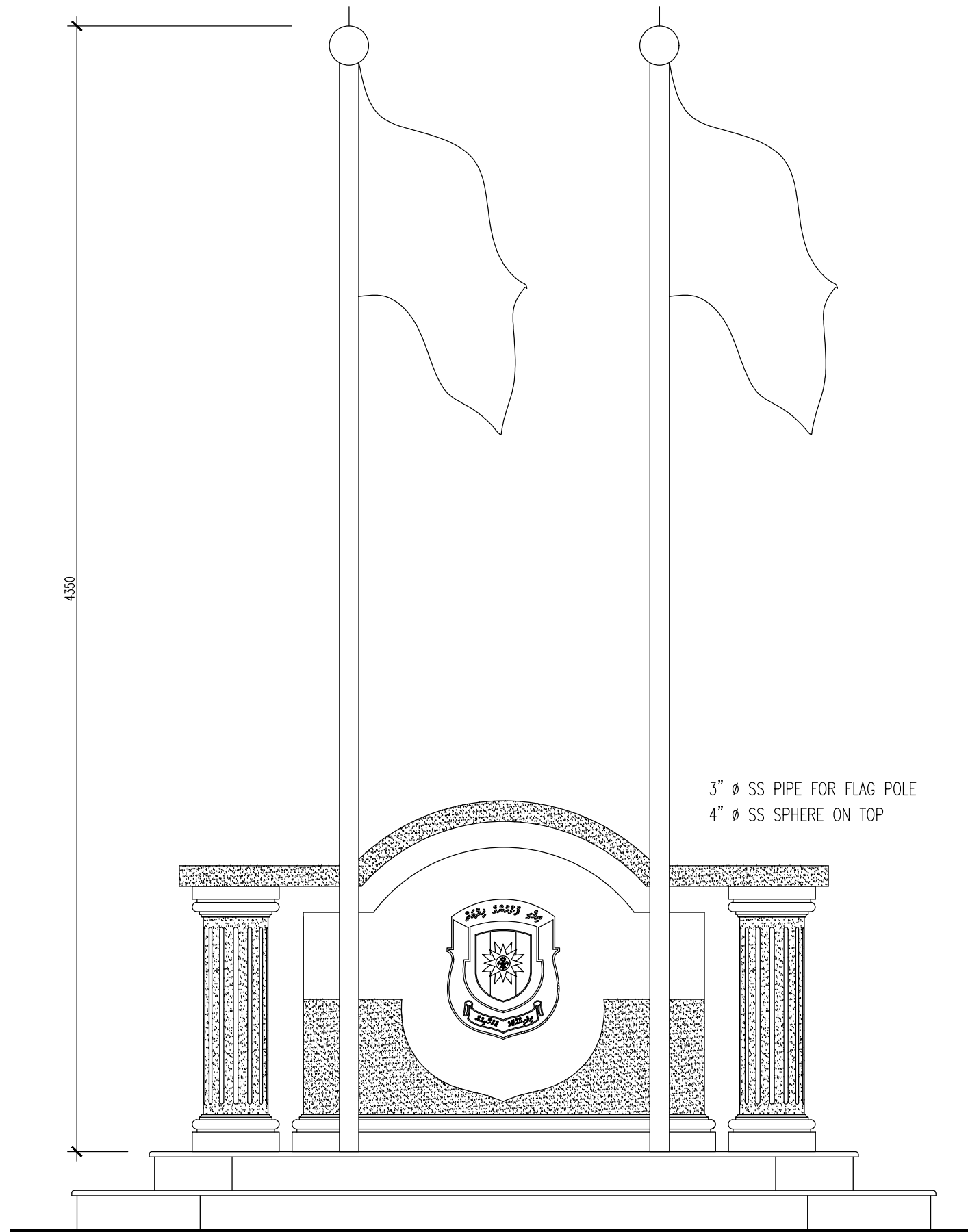
SCALE 1:50

 FINANCE AND ASSET MANAGEMENT INFRASTRUCTURE UNIT MALDIVES POLICE SERVICE	
PROJECT TITLE:	
N. MANDHOO POLICE STATION	
MALDIVES POLICE SERVICE SEAL & SIGN	
CONTRACTORS SEAL & SIGN	
<p>THE DRAWINGS, CONCEPT AND DESIGN CONTAINED AREA THE PROPERTIES OF MALDIVES POLICE SERVICE. USE OF ANY KIND OR COPY OF WHOLE OR PART OF THIS DRAWING CONCEPT OR DESIGN OR USE ON OTHER PROJECTS OR SITES OTHER THAN THAT SPECIFIED ON THIS DRAWINGS IS STRICTLY PROHIBITED</p>	
ARCHITECT/DESIGNER	DRAFTED BY
ASSISTANT DIRECTOR AHMED SADHEEM	SUB INSP OF POLICE MOHAMED FALAAH
STRUCTURAL ENGINEER	DRAFTED BY
SUB INSP OF POLICE FAZEEN	SUB INSP OF POLICE MOHAMED FALAAH
CHECKED BY	CHECKED BY
ASSISTANT DIRECTOR AHMED SADHEEM	SUB INSP OF POLICE AHMED NIZAL
ARCHITECTURAL DRAWINGS	
SHEET NO.	DATE: 19 AUG 2021
A-19	




**FLAG POST PLAN**  
SCALE 1:20

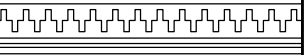
 INFRASTRUCTURE AND BUILDING DEVELOPMENT MALDIVES POLICE SERVICE	
	
PROJECT TITLE:	
B.EYDHAFUSHI POLICE STATION RENOVATION	
MALDIVES POLICE SERVICE SEAL & SIGN	
CONTRACTORS SEAL & SIGN	
<small>THE DRAWINGS, CONCEPT AND DESIGN CONTAINED AREA THE PROPERTIES OF MALDIVES POLICE SERVICE. USE OF ANY KIND OR COPY OF WHOLE OR PART OF THIS DRAWING CONCEPT OR DESIGN OR USE ON OTHER PROJECTS OR SITES OTHER THAN THAT SPECIFIED ON THIS DRAWINGS IS STRICTLY PROHIBITED.</small>	
ARCHITECT/DESIGNER	DRAFTED BY
STRUCTURAL ENGINEER	DRAFTED BY
CHECKED BY	CHECKED BY
ARCHITECTURAL DRAWINGS	
SHEET NO.	25-JAN-2023
A-20	



**FRONT ELEVATION**

SCALE 1:20

INFRASTRUCTURE AND BUILDING DEVELOPMENT  MALDIVES POLICE SERVICE	
PROJECT TITLE:	
B.EYDHAFUSHI POLICE STATION RENOVATION	
MALDIVES POLICE SERVICE SEAL & SIGN	
CONTRACTORS SEAL & SIGN	
<small>THE DRAWINGS, CONCEPT AND DESIGN CONTAINED AREA THE PROPERTIES OF MALDIVES POLICE SERVICE. USE OF ANY KIND OR COPY OF WHOLE OR PART OF THIS DRAWING CONCEPT OR DESIGN OR USE ON OTHER PROJECTS OR SITES OTHER THAN THAT SPECIFIED ON THIS DRAWINGS IS STRICTLY PROHIBITED</small>	
ARCHITECT/DESIGNER	DRAFTED BY
STRUCTURAL ENGINEER	DRAFTED BY
CHECKED BY	CHECKED BY
ARCHITECTURAL DRAWINGS	
SHEET NO.	25-JAN-2023
A-21	



PROJECT TITLE:  
B.EYDHAFUSHI POLICE STATION RENOVATION

MALDIVES POLICE SERVICE SEAL & SIGN

CONTRACTORS SEAL & SIGN

THE DRAWINGS, CONCEPT AND DESIGN CONTAINED AREA THE PROPERTIES OF MALDIVES POLICE SERVICE. USE OF ANY KIND OR COPY OF WHOLE OR PART OF THIS DRAWING CONCEPT OR DESIGN OR USE ON OTHER PROJECTS OR SITES OTHER THAN THAT SPECIFIED ON THIS DRAWINGS IS STRICTLY PROHIBITED

ARCHITECT/DESIGNER      DRAFTED BY

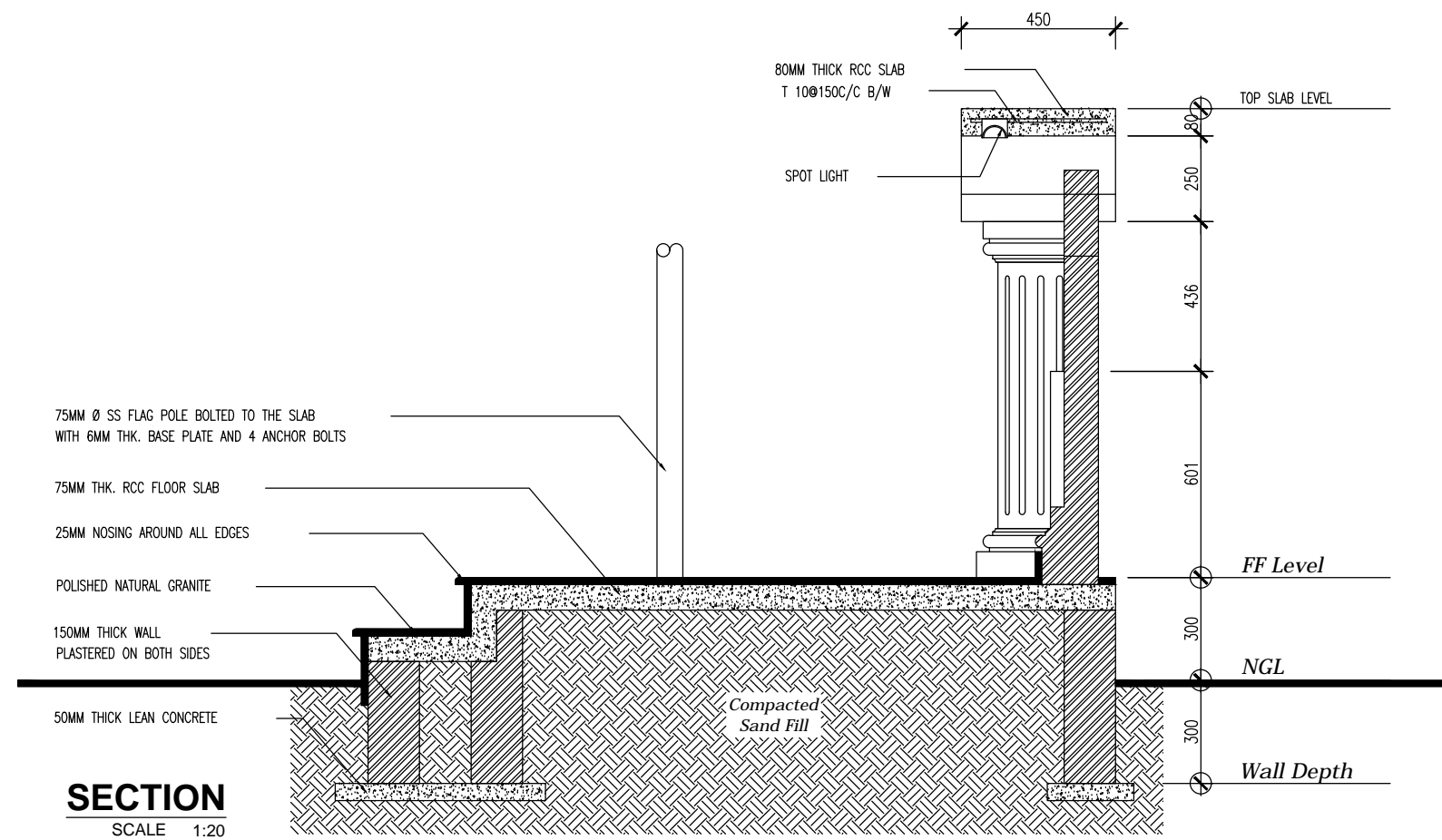
STRUCTURAL ENGINEER      DRAFTED BY

CHECKED BY      CHECKED BY

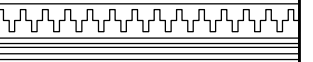
ARCHITECTURAL DRAWINGS

SHEET NO.      25-JAN-2023

A-22



**SECTION**  
SCALE 1:20



PROJECT TITLE:  
B.EYDHAFUSHI POLICE STATION RENOVATION

MALDIVES POLICE SERVICE SEAL & SIGN

CONTRACTORS SEAL & SIGN

THE DRAWINGS, CONCEPT AND DESIGN CONTAINED AREA THE PROPERTIES OF MALDIVES POLICE SERVICE. USE OF ANY KIND OR COPY OF WHOLE OR PART OF THIS DRAWING CONCEPT OR DESIGN OR USE ON OTHER PROJECTS OR SITES OTHER THAN THAT SPECIFIED ON THIS DRAWINGS IS STRICTLY PROHIBITED

ARCHITECT/DESIGNER      DRAFTED BY

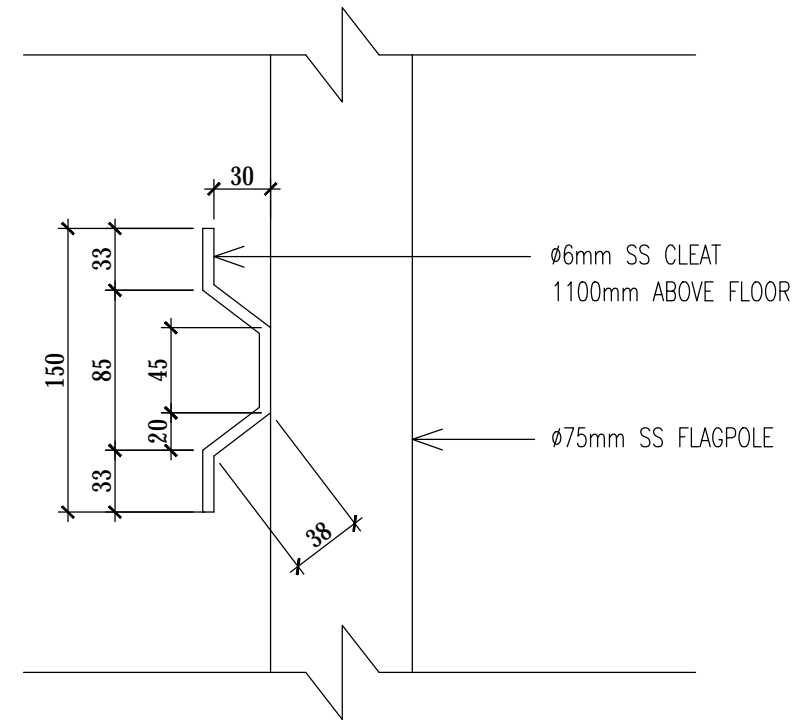
STRUCTURAL ENGINEER      DRAFTED BY

CHECKED BY      CHECKED BY

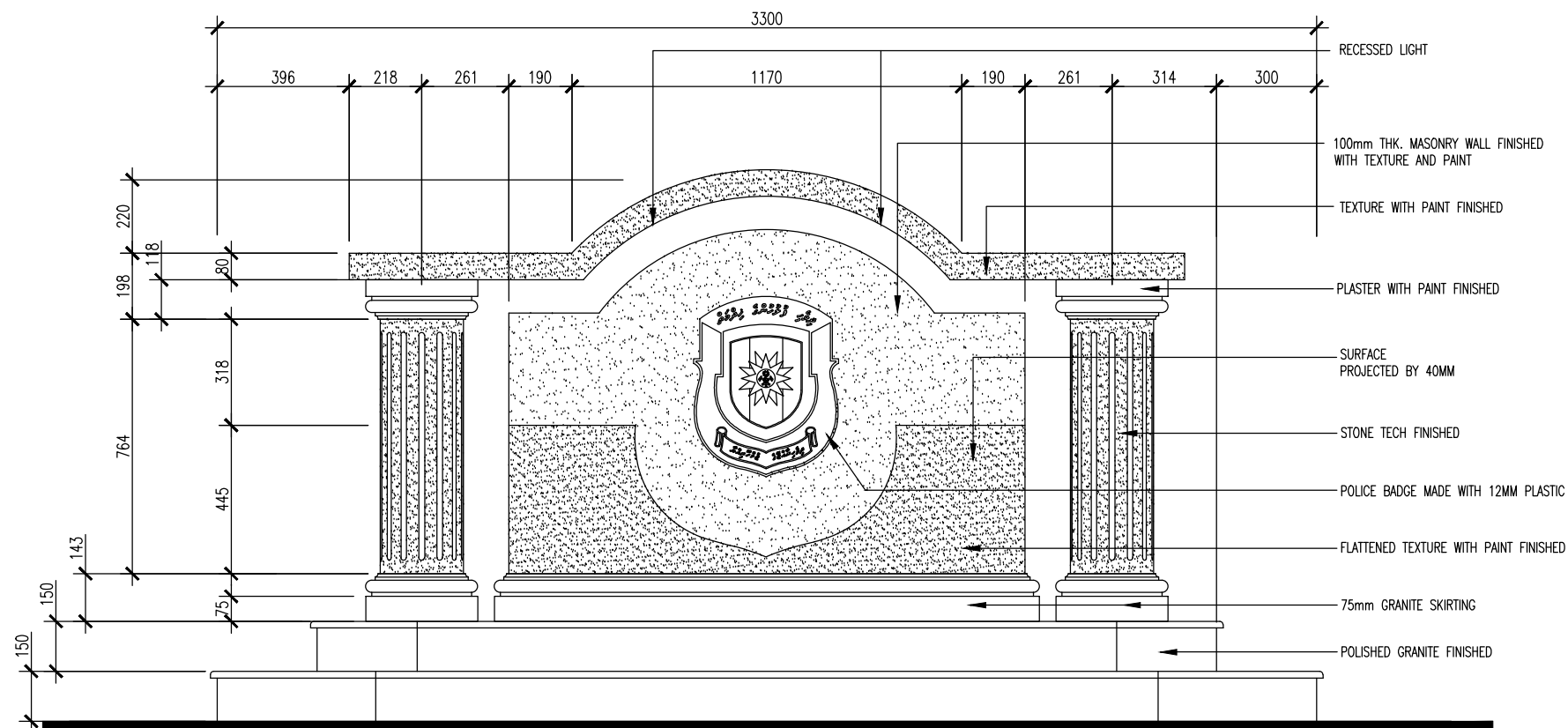
ARCHITECTURAL DRAWINGS

SHEET NO.      25-JAN-2023

A-23

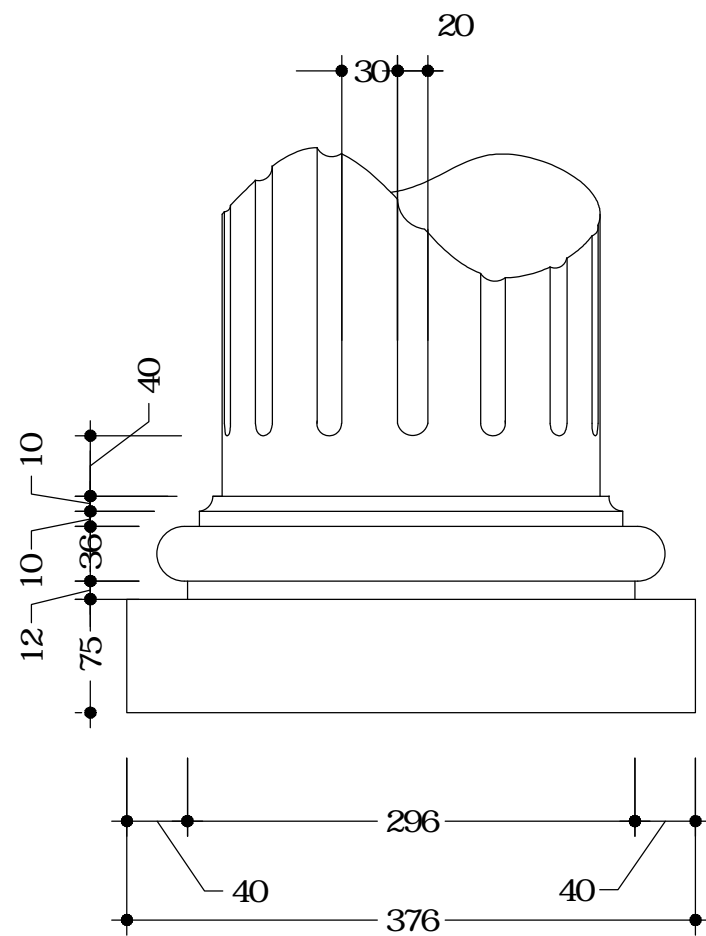


CLEAT DETAIL  
SCALE 1:10



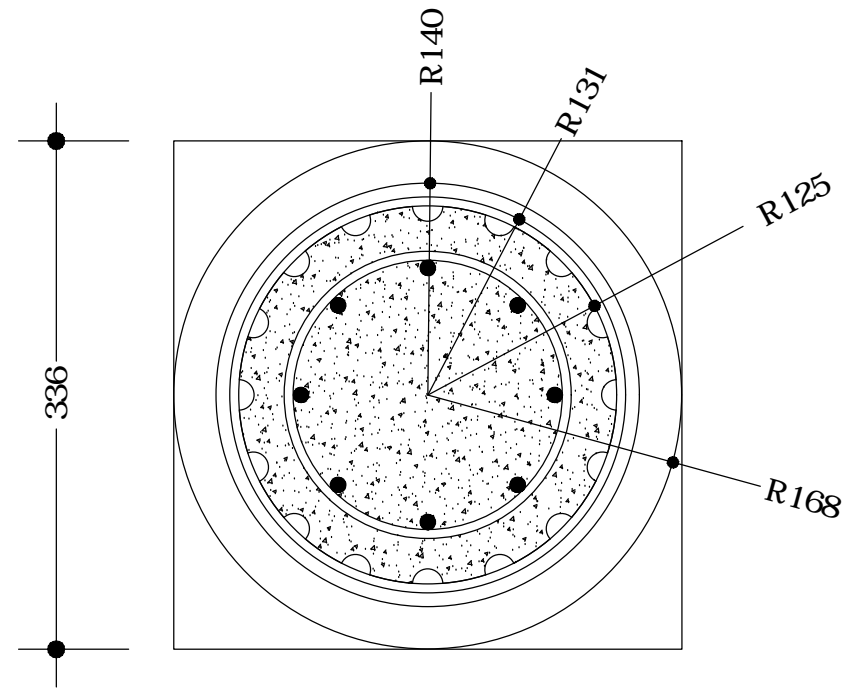
ELEVATION DETAILS  
SCALE 1:20



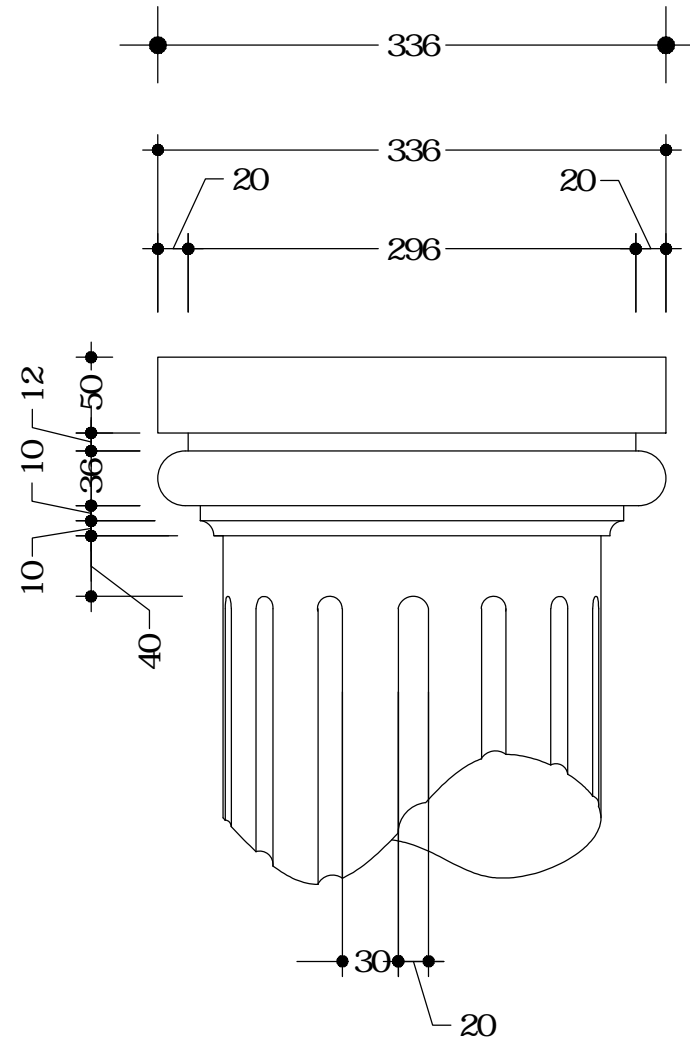


DECORATIVE COLUMN DETAILS

SCALE 1:5

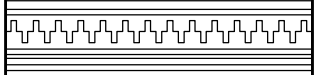
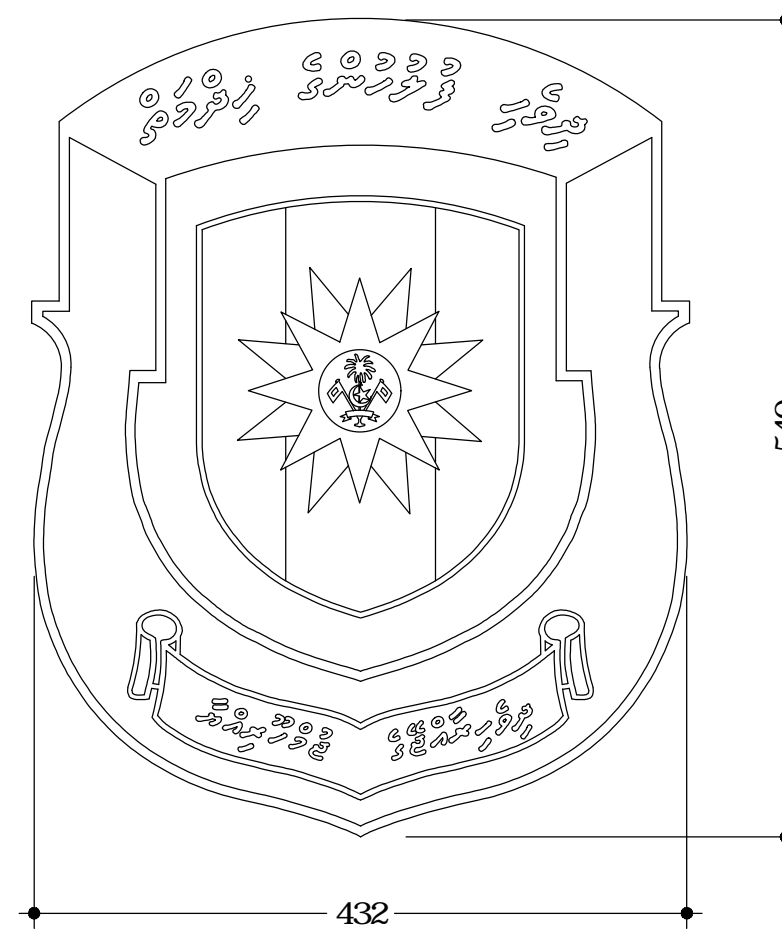


NOTE: EMBLEM SHALL BE MADE WITH 12mm THK. PLASTIC AND FIXED WITH STUDS, MAINTAIN A 40mm GAP BETWEEN THE WALL AND EMBLEM



POLICE EMBLEM DETAILS

SCALE 1:5



PROJECT TITLE:  
B.EYDHAFUSHI POLICE STATION RENOVATION

MALDIVES POLICE SERVICE SEAL & SIGN

CONTRACTORS SEAL & SIGN

THE DRAWINGS, CONCEPT AND DESIGN CONTAINED AREA THE PROPERTIES OF MALDIVES POLICE SERVICE. USE OF ANY KIND OR COPY OF WHOLE OR PART OF THIS DRAWING CONCEPT OR DESIGN OR USE ON OTHER PROJECTS OR SITES OTHER THAN THAT SPECIFIED ON THIS DRAWINGS IS STRICTLY PROHIBITED

ARCHITECT/DESIGNER DRAFTED BY

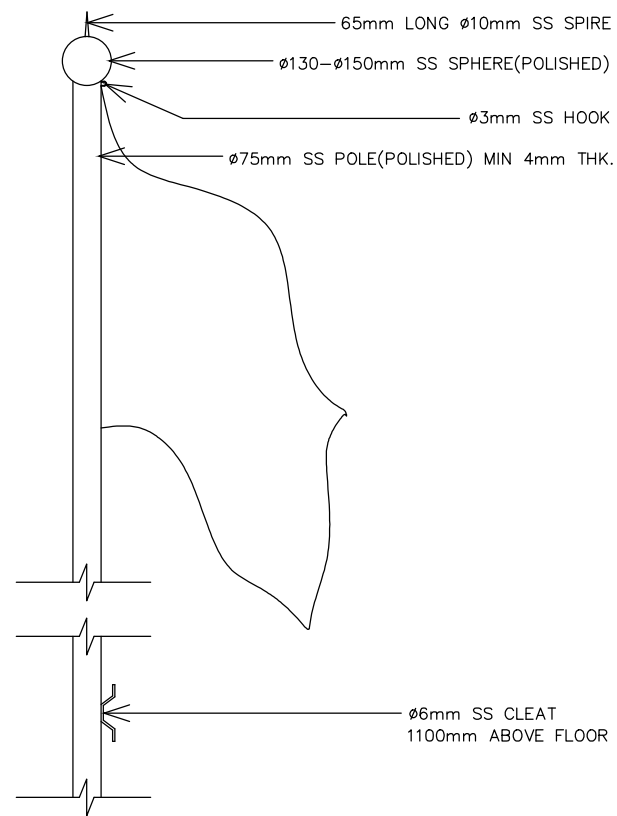
STRUCTURAL ENGINEER DRAFTED BY


CHECKED BY CHECKED BY

ARCHITECTURAL DRAWINGS

SHEET NO. 25-JAN-2023

A-24



INFRASTRUCTURE AND BUILDING DEVELOPMENT  MALDIVES POLICE SERVICE	
PROJECT TITLE: B.EYDHAFUSHI POLICE STATION RENOVATION	
MALDIVES POLICE SERVICE SEAL & SIGN	
CONTRACTORS SEAL & SIGN	
THE DRAWINGS, CONCEPT AND DESIGN CONTAINED AREA THE PROPERTIES OF MALDIVES POLICE SERVICE. USE OF ANY KIND OR COPY OF WHOLE OR PART OF THIS DRAWING CONCEPT OR DESIGN OR USE ON OTHER PROJECTS OR SITES OTHER THAN THAT SPECIFIED ON THIS DRAWINGS IS STRICTLY PROHIBITED	
ARCHITECT/DESIGNER	DRAFTED BY
STRUCTURAL ENGINEER	DRAFTED BY
CHECKED BY	CHECKED BY
ARCHITECTURAL DRAWINGS	
SHEET NO.	25-JAN-2023
A-25	

INFRASTRUCTURE AND BUILDING DEVELOPMENT  
MALDIVES POLICE SERVICE

PROJECT TITLE:  
B.EYDHAFUSHI POLICE STATION RENOVATION

MALDIVES POLICE SERVICE SEAL & SIGN

CONTRACTORS SEAL & SIGN

THE DRAWINGS, CONCEPT AND DESIGN CONTAINED AREA THE PROPERTIES OF MALDIVES POLICE SERVICE. USE OF ANY KIND OR COPY OF WHOLE OR PART OF THIS DRAWING CONCEPT OR DESIGN OR USE ON OTHER PROJECTS OR SITES OTHER THAN THAT SPECIFIED ON THIS DRAWINGS IS STRICTLY PROHIBITED

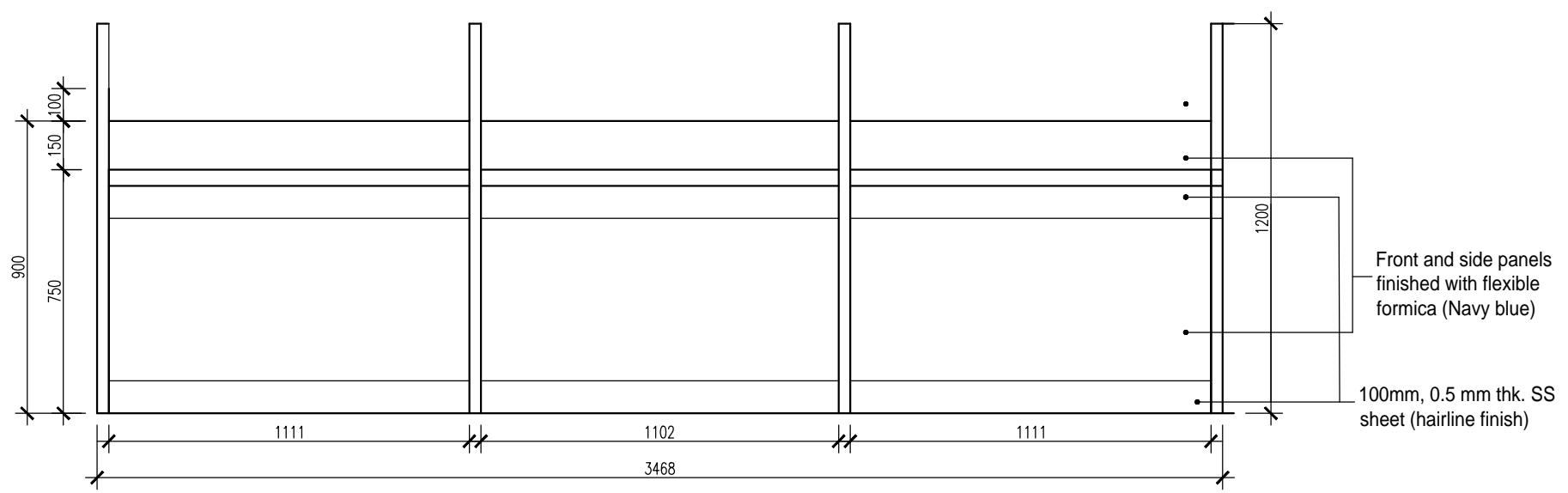
ARCHITECT/DESIGNER      DRAFTED BY

STRUCTURAL ENGINEER      DRAFTED BY

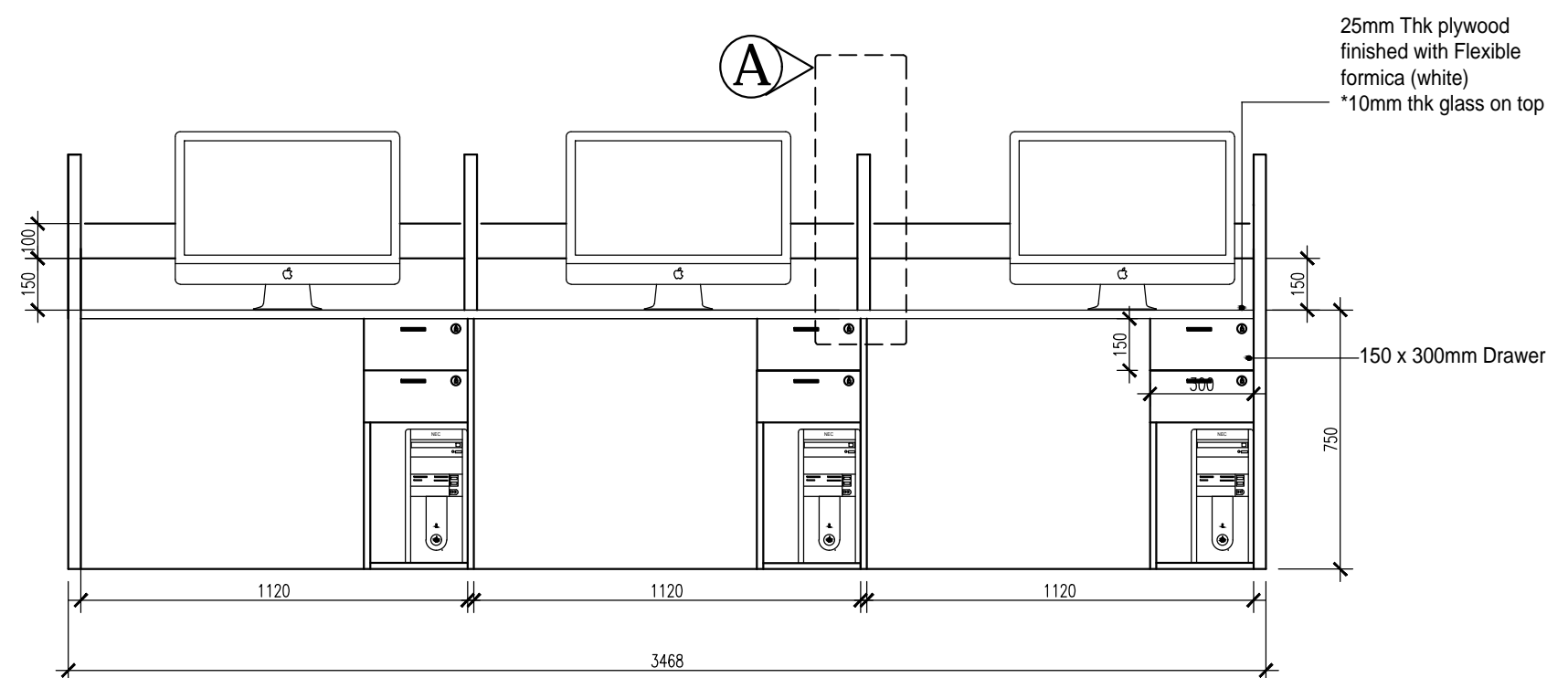
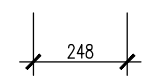
CHECKED BY      CHECKED BY

ARCHITECTURAL DRAWINGS  
SHEET NO.      25-JAN-2023

A-26



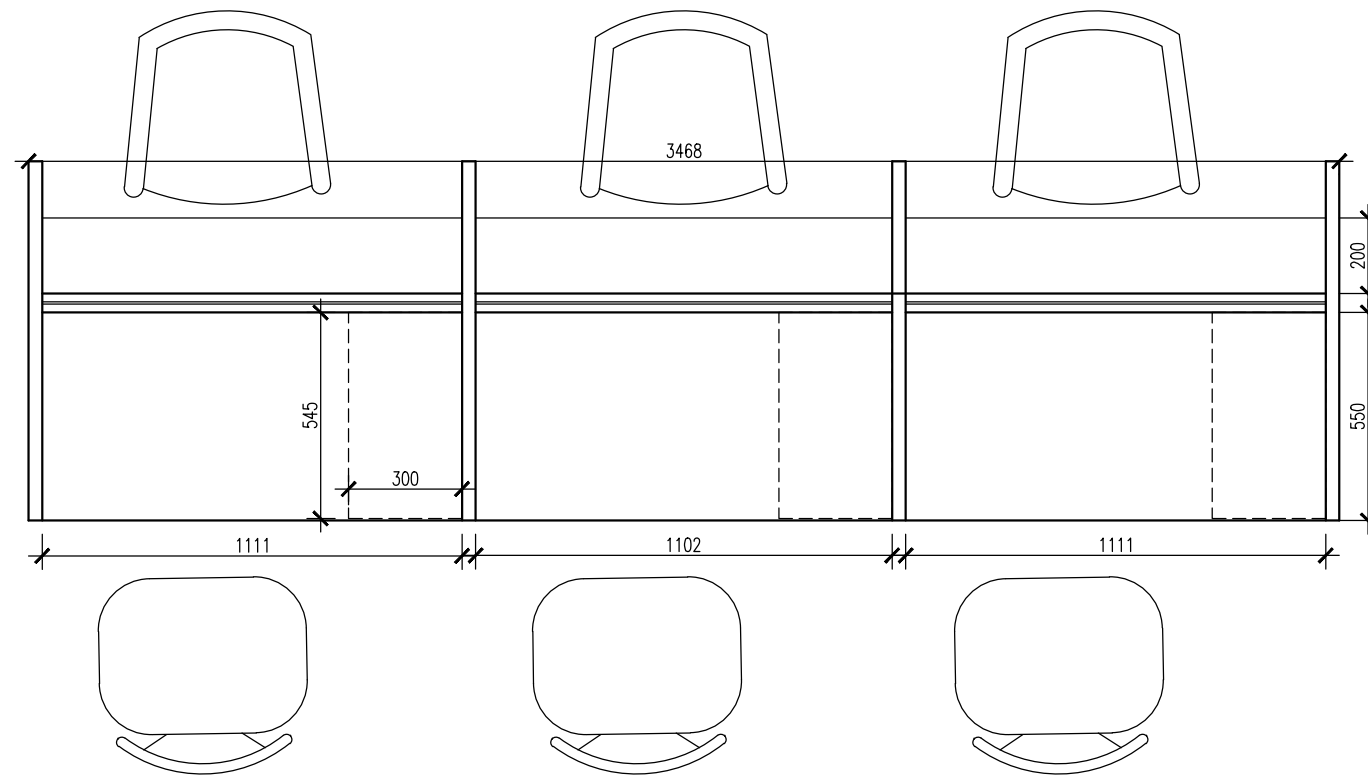
Front Elevation



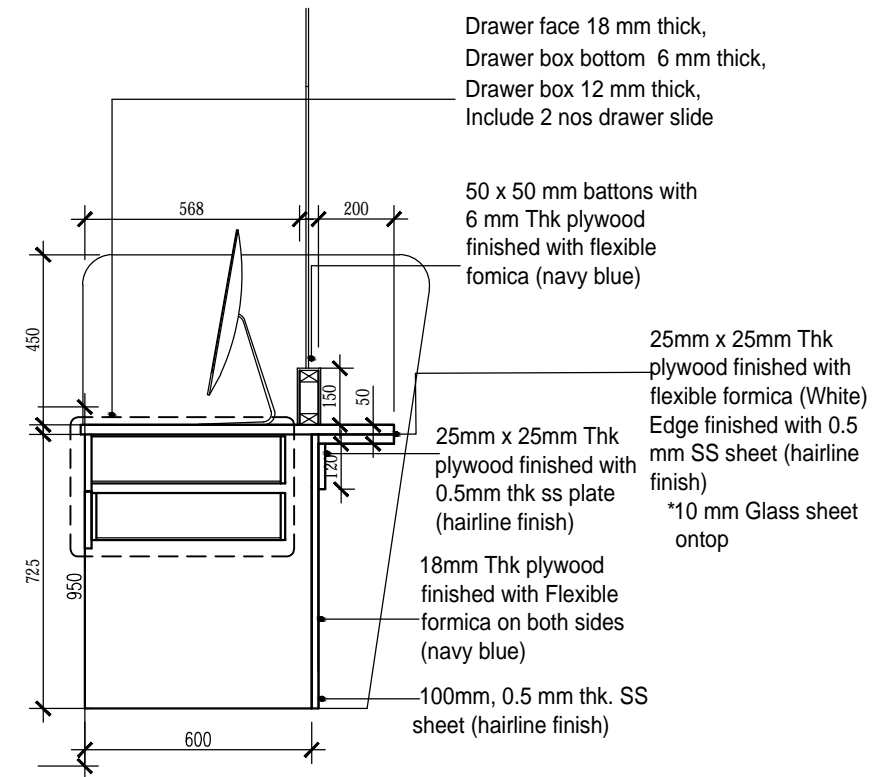
Rear View

COUNTER DESIGN

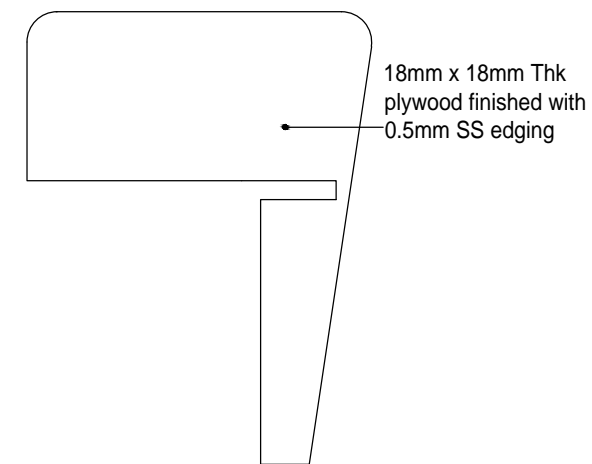
- Note:
- \* Confirm all dimensions on site before any works commence.
  - \* Lock and key and handle must be included




Plan View



Sectional Elevation



Detail A

 INFRASTRUCTURE AND BUILDING DEVELOPMENT MALDIVES POLICE SERVICE	
PROJECT TITLE:	
B.EYDHAFUSHI POLICE STATION RENOVATION	
MALDIVES POLICE SERVICE SEAL & SIGN	
CONTRACTORS SEAL & SIGN	
THE DRAWINGS, CONCEPT AND DESIGN CONTAINED AREA THE PROPERTIES OF MALDIVES POLICE SERVICE. USE OF ANY KIND OR COPY OF WHOLE OR PART OF THIS DRAWING CONCEPT OR DESIGN OR USE ON OTHER PROJECTS OR SITES OTHER THAN THAT SPECIFIED ON THIS DRAWINGS IS STRICTLY PROHIBITED.	
ARCHITECT/DESIGNER	DRAFTED BY
STRUCTURAL ENGINEER	DRAFTED BY
CHECKED BY	CHECKED BY
ARCHITECTURAL DRAWINGS	
SHEET NO.	25-JAN-2023
A-27	

# POLICE COUNTER DESIGN

Note:

- \* Confirm all dimensions on site before any works commence.
- \* Lock and key and handle must be included