



سندھ سرکاری نوٹ

سرکاری نوٹ کی سرکاری
سرکاری نوٹ کی سرکاری
سرکاری نوٹ کی سرکاری

سرکاری نوٹ کی سرکاری
سرکاری نوٹ کی سرکاری
سرکاری نوٹ کی سرکاری

سرکاری نوٹ کی سرکاری
سرکاری نوٹ کی سرکاری
سرکاری نوٹ کی سرکاری

GS35-2023-G-01

(IUL) GS35/2023/09

20 اگست 2023

سرکاری نوٹ کی سرکاری
سرکاری نوٹ کی سرکاری

ސަރުކާރުގެ ގެޒެޓް - 1

ބޭނުންކުރާ ގޮތުގައި

ބޭނުންކުރާ ގޮތުގައި		ނަންބަރު	
ދިވެހިސަރުކާރުގެ ގެޒެޓް	ސަރުކާރުގެ ގެޒެޓް/ނަންބަރު	1	(-)
ދިވެހިސަރުކާރުގެ ގެޒެޓް ސަރުކާރުގެ ގެޒެޓް ސަރުކާރުގެ ގެޒެޓް	ނަންބަރު:		
(IUL) GS35/2023/09	ނަންބަރު ސަރުކާރުގެ ގެޒެޓް:		
GS35-2023-G-01	ނަންބަރު ސަރުކާރުގެ ގެޒެޓް:		
20 ޖުލައި 2023	ނަންބަރު ސަރުކާރުގެ ގެޒެޓް:	9	(-)
<p>ސަރުކާރުގެ ގެޒެޓް ސަރުކާރުގެ ގެޒެޓް ސަރުކާރުގެ ގެޒެޓް:</p> <p>"ސަރުކާރުގެ ގެޒެޓް ސަރުކާރުގެ ގެޒެޓް ސަރުކާރުގެ ގެޒެޓް"</p> <p>https://forms.gle/LR3uGHP64izwSify5</p> <p>2023 ޖުލައި 20 ޖުލައި 2023 ޖުލައި 27 ޖުލައި 2023</p>			
<p>ނަންބަރު ސަރުކާރުގެ ގެޒެޓް ސަރުކާރުގެ ގެޒެޓް ސަރުކާރުގެ ގެޒެޓް</p> <p>ނަންބަރު ސަރުކާރުގެ ގެޒެޓް ސަރުކާރުގެ ގެޒެޓް ސަރުކާރުގެ ގެޒެޓް</p> <p>ނަންބަރު ސަރުކާރުގެ ގެޒެޓް ސަރުކާރުގެ ގެޒެޓް ސަރުކާރުގެ ގެޒެޓް</p>		10	(-)
<p>ނަންބަރު ސަރުކާރުގެ ގެޒެޓް ސަރުކާރުގެ ގެޒެޓް ސަރުކާރުގެ ގެޒެޓް</p> <p>ނަންބަރު ސަރުކާރުގެ ގެޒެޓް ސަރުކާރުގެ ގެޒެޓް ސަރުކާރުގެ ގެޒެޓް</p> <p>ނަންބަރު ސަރުކާރުގެ ގެޒެޓް ސަރުކާރުގެ ގެޒެޓް ސަރުކާރުގެ ގެޒެޓް</p>			
<p>ނަންބަރު ސަރުކާރުގެ ގެޒެޓް ސަރުކާރުގެ ގެޒެޓް ސަރުކާރުގެ ގެޒެޓް</p> <p>ނަންބަރު ސަރުކާރުގެ ގެޒެޓް ސަރުކާރުގެ ގެޒެޓް ސަރުކާރުގެ ގެޒެޓް</p> <p>ނަންބަރު ސަރުކާރުގެ ގެޒެޓް ސަރުކާރުގެ ގެޒެޓް ސަރުކާރުގެ ގެޒެޓް</p> <p>656003</p> <p>admin@natollschoo.edu.mv</p>		10	(-)
<p>ނަންބަރު ސަރުކާރުގެ ގެޒެޓް ސަރުކާރުގެ ގެޒެޓް ސަރުކާރުގެ ގެޒެޓް</p> <p>ނަންބަރު ސަރުކާރުގެ ގެޒެޓް ސަރުކާރުގެ ގެޒެޓް ސަރުކާރުގެ ގެޒެޓް</p> <p>ނަންބަރު ސަރުކާރުގެ ގެޒެޓް ސަރުކާރުގެ ގެޒެޓް ސަރުކާރުގެ ގެޒެޓް</p> <p>2023 ޖުލައި 04</p> <p>11:00</p>			
<p>ނަންބަރު ސަރުކާރުގެ ގެޒެޓް ސަރުކާރުގެ ގެޒެޓް ސަރުކާރުގެ ގެޒެޓް</p> <p>ނަންބަރު ސަރުކާރުގެ ގެޒެޓް ސަރުކާރުގެ ގެޒެޓް ސަރުކާރުގެ ގެޒެޓް</p> <p>ނަންބަރު ސަރުކާރުގެ ގެޒެޓް ސަރުކާރުގެ ގެޒެޓް ސަރުކާރުގެ ގެޒެޓް</p> <p>2023 ޖުލައި 04</p> <p>11:00</p>		21	(-)
<p>ނަންބަރު ސަރުކާރުގެ ގެޒެޓް ސަރުކާރުގެ ގެޒެޓް ސަރުކާރުގެ ގެޒެޓް</p> <p>ނަންބަރު ސަރުކާރުގެ ގެޒެޓް ސަރުކާރުގެ ގެޒެޓް ސަރުކާރުގެ ގެޒެޓް</p> <p>ނަންބަރު ސަރުކާރުގެ ގެޒެޓް ސަރުކާރުގެ ގެޒެޓް ސަރުކާރުގެ ގެޒެޓް</p> <p>2023 ޖުލައި 04</p> <p>11:00</p>			

የግብርና ስራ ለማስፈጸም የሚያስፈልጉትን ሰነድ ለማስፈጸም ይገባል።

23. የግብርና ስራ ለማስፈጸም የሚያስፈልጉትን ሰነድ ለማስፈጸም ይገባል።
1- የግብርና ስራ ለማስፈጸም የሚያስፈልጉትን ሰነድ ለማስፈጸም ይገባል።
2- የግብርና ስራ ለማስፈጸም የሚያስፈልጉትን ሰነድ ለማስፈጸም ይገባል።

3- የግብርና ስራ ለማስፈጸም የሚያስፈልጉትን ሰነድ ለማስፈጸም ይገባል።

24. የግብርና ስራ ለማስፈጸም የሚያስፈልጉትን ሰነድ ለማስፈጸም ይገባል።

የግብርና ስራ ለማስፈጸም የሚያስፈልጉትን ሰነድ ለማስፈጸም ይገባል።

25. የግብርና ስራ ለማስፈጸም የሚያስፈልጉትን ሰነድ ለማስፈጸም ይገባል።

26. የግብርና ስራ ለማስፈጸም የሚያስፈልጉትን ሰነድ ለማስፈጸም ይገባል።

የግብርና ስራ ለማስፈጸም የሚያስፈልጉትን ሰነድ ለማስፈጸም ይገባል።

27. የግብርና ስራ ለማስፈጸም የሚያስፈልጉትን ሰነድ ለማስፈጸም ይገባል።

የግብርና ስራ ለማስፈጸም የሚያስፈልጉትን ሰነድ ለማስፈጸም ይገባል።

سَوْنُو سَوْنُو 3-

سَوْنُو سَوْنُو سَوْنُو سَوْنُو سَوْنُو سَوْنُو

سَوْنُو سَوْنُو سَوْنُو سَوْنُو سَوْنُو سَوْنُو

سَوْنُو سَوْنُو سَوْنُو	سَوْنُو سَوْنُو سَوْنُو	#
720	سَوْنُو سَوْنُو سَوْنُو	1
625	سَوْنُو سَوْنُو سَوْنُو	2
128	سَوْنُو سَوْنُو سَوْنُو	3

1- سَوْنُو سَوْنُو سَوْنُو سَوْنُو سَوْنُو سَوْنُو

2- سَوْنُو سَوْنُو سَوْنُو سَوْنُو سَوْنُو سَوْنُو

سَوْنُو سَوْنُو سَوْنُو سَوْنُو سَوْنُو

3- سَوْنُو سَوْنُو سَوْنُو سَوْنُو سَوْنُو سَوْنُو

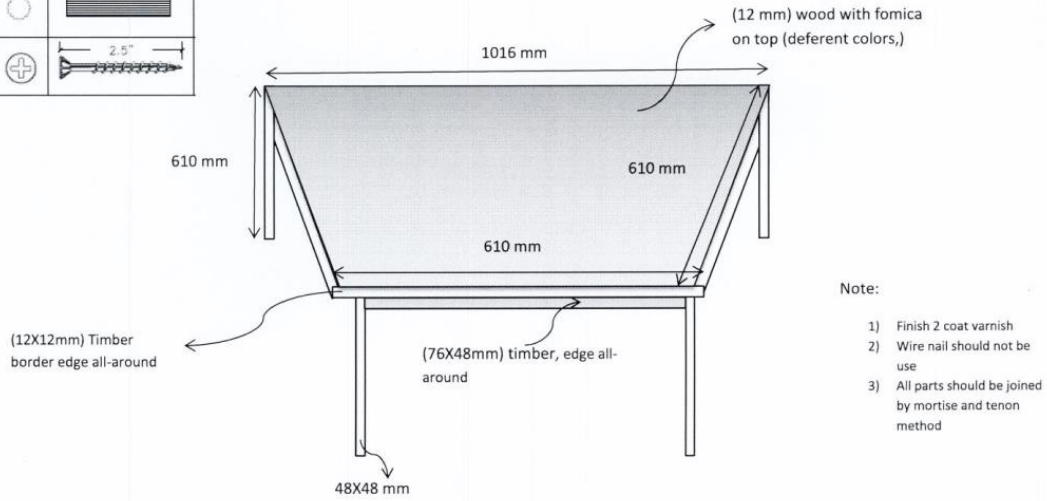
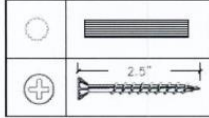
4- سَوْنُو سَوْنُو سَوْنُو سَوْنُو سَوْنُو سَوْنُو

سَوْنُو سَوْنُو سَوْنُو سَوْنُو سَوْنُو سَوْنُو

TRAPIZIUM DESK

Screw to be screwed before putting on the formica finish

- Multi-groove furniture hardwood timber dowels that allows excess glue to escape and distribute along the dowel when it is pushed into place.
- Countersunk Rib head (needle point) 8 No. screws for general fixing to treated timber, E.G.,trelus,outdoor furniture fencin, lettice, etc



6 - ބަންދު

ބަންދުގެ ފޯމް

Form of Bid Security

WHEREAS,[name of Bidder] (hereinafter called “the Bidder”) has submitted his Bid for the Tender no.....issued by the Ministry of Education onfor Supplying/Purchasing of [name of Contract] (hereinafter called “the Bid”).

KNOW ALL PEOPLE by these presents that We [name of Bank] of [name of country] having our registered office at (hereinafter called “the Bank”) are bound unto[name of Purchaser] (hereinafter called “the Purchaser”) in the sum of *..... for which payment well and truly to be made to the said Purchaser, the Bank binds itself, its successors, and assigns by these presents.

SEALED with the Common Seal of the said Bank thisday of20.....

THE CONDITIONS of this obligation are:

- (1) If, after Bid opening, the Bidder withdraws his Bid during the period of Bid validity specified in the Form of Bid; or
(2) If the Bidder having been notified of the acceptance of his Bid by the Purchaser during the period of Bid validity:
(a) fails or refuses to execute the Form of Agreement in accordance with the Instructions to Bidders, if required; or
(b) fails or refuses to furnish the Performance Security, in accordance with the Instruction to Bidders; or
(c) does not accept the correction of the Bid Price pursuant to Clause 27.

* The Bidder should insert the amount of the Guarantee in words and figures denominated in Maldivian Rufiyaa. This figure should be the same as shown in Clause 16.1 of the Instructions to Bidders.

we undertake to pay to the Purchaser up to the above amount upon receipt of his first written demand, without the Purchaser’s having to substantiate his demand, provided that in his demand the Purchaser will note that the amount claimed by him is due to him owing to the occurrence of one or any of the three conditions, specifying the occurred condition or conditions.

This Guarantee will remain in force up to and including the date days after the deadline for submission of bids as such deadline is stated in the Instructions to Bidders or as it may be extended by the Purchaser, notice of which extension(s) to the Bank is hereby waived. Any demand in respect of this Guarantee should reach the Bank not later than the above date.

DATE..... SIGNATURE OF THE BANK

WITNESS SEAL

[signature, name, and address]

7 - ޖަހަވާނު

ފޯމް އޮފް ޕަރފޯމަންސް ގަޔާންޓީ

Form of Performance Guarantee

To:
[name & address of Purchaser]
.....
.....

WHEREAS [name and address of Supplier] (hereinafter called “the Supplier”) has undertaken, in pursuance of Contract No. dated to execute [name of Contract and brief description of Works] (hereinafter called “the Contract”);

AND WHEREAS it has been stipulated by you in the said Contract that the Supplier shall furnish you with a Bank Guarantee by a recognized bank for the sum specified therein as security for compliance with his obligations in accordance with the Contract;

AND WHEREAS we have agreed to give the Supplier such a Bank Guarantee;

NOW THEREFORE we hereby affirm that we are the Guarantor and responsible to you, on behalf of the Supplier, up to a total of *..... [amount of Guarantee] [amount in words], such sum being payable in the types and proportions of currencies in which the Contract Price is payable, and we undertake to pay you, upon your first written demand and without cavil or argument, any sum or sums within the limits of [amount of Guarantee] as aforesaid without your needing to prove or to show grounds or reasons for your demand for the sum specified therein.

*An amount is to be inserted by the Guarantor, representing the percentage of the Contract Price specified in the Contract, in Maldivian Rufiyaa.

We hereby waive the necessity of your demanding the said debt from the Supplier before presenting us with the demand.

We further agree that no change or addition to or other modification of the terms of the Contract or of the Works to be performed there under or of any of the Contract documents which may be made between you and the Supplier shall in any way release us from any liability under this Guarantee, and we hereby waive notice of any such change, addition, or modification.

This Guarantee shall be valid until the date of issue of the Defects Correction Certificate.

SIGNATURE AND SEAL OF THE GUARANTOR

Name of Bank

Address

Date

