



سندھ حکومت

حکومت سندھ کے سرکاری اداروں کے لیے

سرکاری نوکری:

GS79-2023-G-02

سرکاری نوکری:

(IUL) GS79/2023/13

سرکاری نوکری:

22 اگست 2023

سرکاری نوکری  
سرکاری نوکری

ސަރުކާރުގެ ގެޒެޓް

ބަނޑުވަޅު

ބަނޑުވަޅުގެ ނަންބަރު	ބަނޑުވަޅުގެ ނަންބަރު	ބަނޑުވަޅުގެ ނަންބަރު	ބަނޑުވަޅުގެ ނަންބަރު
<p>ސަރުކާރުގެ ގެޒެޓް ގައި ބަނޑުވަޅުގެ ނަންބަރު ބަނޑުވަޅުގެ ނަންބަރު ބަނޑުވަޅުގެ ނަންބަރު</p>	<p>ސަރުކާރުގެ ގެޒެޓް ގައި ބަނޑުވަޅުގެ ނަންބަރު</p>		
<p>(IUL) GS79/2023/13</p>	<p>ބަނޑުވަޅުގެ ނަންބަރު</p>	<p>(-)</p>	<p>1</p>
<p>GS79-2023-G-02</p>	<p>ބަނޑުވަޅުގެ ނަންބަރު</p>		
<p>23 ޖުލައި 2023</p>	<p>ބަނޑުވަޅުގެ ނަންބަރު</p>		
<p>ސަރުކާރުގެ ގެޒެޓް ގައި ބަނޑުވަޅުގެ ނަންބަރު ބަނޑުވަޅުގެ ނަންބަރު ބަނޑުވަޅުގެ ނަންބަރު</p>	<p>ސަރުކާރުގެ ގެޒެޓް ގައި ބަނޑުވަޅުގެ ނަންބަރު</p>	<p>(-)</p>	<p>9</p>
<p>ބަނޑުވަޅުގެ ނަންބަރު ބަނޑުވަޅުގެ ނަންބަރު ބަނޑުވަޅުގެ ނަންބަރު</p>	<p>ބަނޑުވަޅުގެ ނަންބަރު</p>	<p>(-)</p>	<p>10</p>
<p>ބަނޑުވަޅުގެ ނަންބަރު ބަނޑުވަޅުގެ ނަންބަރު ބަނޑުވަޅުގެ ނަންބަރު</p>	<p>ބަނޑުވަޅުގެ ނަންބަރު</p>	<p>(-)</p>	<p>10</p>
<p>ބަނޑުވަޅުގެ ނަންބަރު ބަނޑުވަޅުގެ ނަންބަރު ބަނޑުވަޅުގެ ނަންބަރު</p>	<p>ބަނޑުވަޅުގެ ނަންބަރު</p>	<p>(-)</p>	<p>19</p>
<p>ބަނޑުވަޅުގެ ނަންބަރު ބަނޑުވަޅުގެ ނަންބަރު ބަނޑުވަޅުގެ ނަންބަރު</p>	<p>ބަނޑުވަޅުގެ ނަންބަރު</p>	<p>(-)</p>	<p>21</p>
<p>2,000/- ( ދިވެހިރުފިޔާ )</p>	<p>ބަނޑުވަޅުގެ ނަންބަރު</p>	<p>(-)</p>	<p>29</p>





















ገንዘብ ለማግኘት ጥረት ማድረግ ይገባል። ለዚህ ምክርቤት ለማግኘት ጥረት ማድረግ ይገባል።

(ወ) ለዚህ ምክርቤት ለማግኘት ጥረት ማድረግ ይገባል። ለዚህ ምክርቤት ለማግኘት ጥረት ማድረግ ይገባል።

(ደ) ለዚህ ምክርቤት ለማግኘት ጥረት ማድረግ ይገባል። ለዚህ ምክርቤት ለማግኘት ጥረት ማድረግ ይገባል።

32. (ሀ) ገንዘብ ለማግኘት ጥረት ማድረግ ይገባል። ለዚህ ምክርቤት ለማግኘት ጥረት ማድረግ ይገባል።

(ለ) ገንዘብ ለማግኘት ጥረት ማድረግ ይገባል። ለዚህ ምክርቤት ለማግኘት ጥረት ማድረግ ይገባል።

(ሐ) ገንዘብ ለማግኘት ጥረት ማድረግ ይገባል። ለዚህ ምክርቤት ለማግኘት ጥረት ማድረግ ይገባል።

ገንዘብ ለማግኘት ጥረት ማድረግ ይገባል።

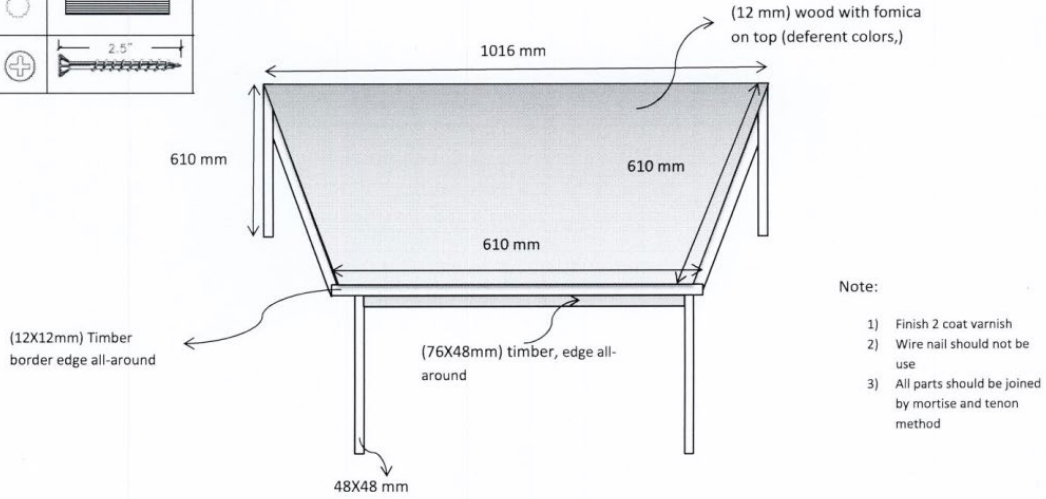
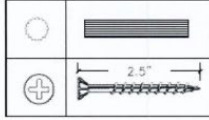




## TRAPIZIUM DESK

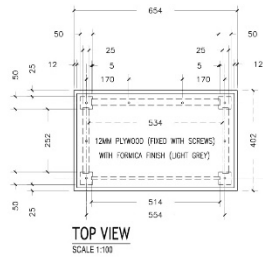
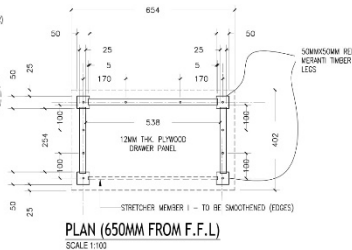
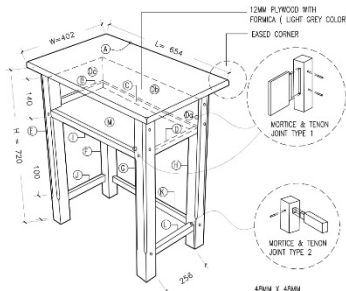
Screw to be screwed before putting on the formica finish

- Multi-groove furniture hardwood timber dowels that allows excess glue to escape and distribute along the dowel when it is pushed into place.
- Countersunk Rib head (needle point) 8 No. screws for general fixing to treated timber, E.G.,trelus,outdoor furniture fencin, lettice, etc

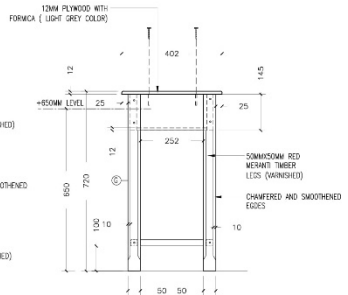
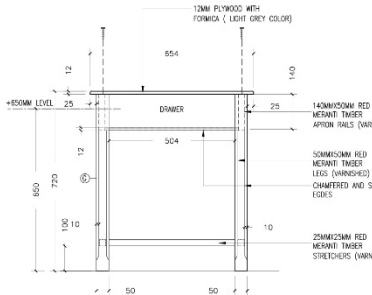


## SECONDARY DESK

MEMBER CODE (ALPHABETS)
A (Table top)
B (Apron rail)
C (Apron rail)
D (Apron rail)
Da (Apron)
Db (Apron)
Dc (Apron)
E (Leg member)
F (Leg member)
G (Leg member)
H (Leg member)
I (Apron rail)
J (Stretcher)
K (Stretcher)
L (Stretcher)
M (Drawer top)
Table top

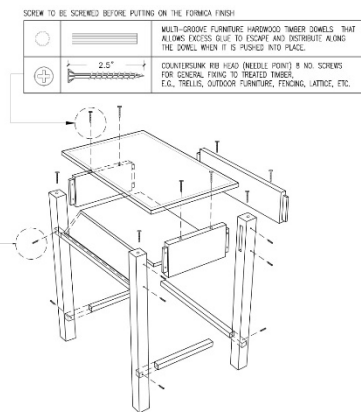


PERSPECTIVE VIEW OF STUDENT DESK B  
SCALE 1:100



FRONT VIEW  
SCALE 1:100

SIDE VIEW  
SCALE 1:100



EXPLODED VIEW OF STUDENT DESK B - SCREW AND DOWEL PLAN  
SCALE 1:100

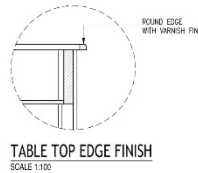


TABLE TOP EDGE FINISH  
SCALE 1:100

**NOTE (INCLUDING VARNISH):**

- CLEAN UP THE DUST.
- WAXUM MOST OF THE DUST FROM THE SURFACE.
- THEN BRUSH VARNISH OVER THE ENTIRE SURFACE, LIPPING IT OFF TO VARNISH BRUSH MARKS.
- AFTER THE SEALER DRIES, LIGHTLY SAND THE SURFACES WITH 240- OR 280-GRAIT (DUST FREE) SANDING PAPER OR PAPER.
- THEN APPLY THE SECOND COAT (FINISH COAT).















6 - ބަންދު

ބަންދުގެ ފޯމް

Form of Bid Security

WHEREAS, .....[name of Bidder] (hereinafter called “the Bidder”) has submitted his Bid for the Tender no.....issued by the Ministry of Education on .....for Supplying/Purchasing of ..... [name of Contract] (hereinafter called “the Bid”).

KNOW ALL PEOPLE by these presents that We ..... [name of Bank] of ..... [name of country] having our registered office at ..... (hereinafter called “the Bank”) are bound unto .....[name of Purchaser] (hereinafter called “the Purchaser”) in the sum of \*..... for which payment well and truly to be made to the said Purchaser, the Bank binds itself, its successors, and assigns by these presents.

SEALED with the Common Seal of the said Bank this .....day of .....20.....

THE CONDITIONS of this obligation are:

- (1) If, after Bid opening, the Bidder withdraws his Bid during the period of Bid validity specified in the Form of Bid;
- or
- (2) If the Bidder having been notified of the acceptance of his Bid by the Purchaser during the period of Bid validity:
  - (a) fails or refuses to execute the Form of Agreement in accordance with the Instructions to Bidders, if required; or
  - (b) fails or refuses to furnish the Performance Security, in accordance with the Instruction to Bidders; or
  - (c) does not accept the correction of the Bid Price pursuant to Clause 27,

\* The Bidder should insert the amount of the Guarantee in words and figures denominated in Maldivian Rufiyaa. This figure should be the same as shown in Clause 16.1 of the Instructions to Bidders.

we undertake to pay to the Purchaser up to the above amount upon receipt of his first written demand, without the Purchaser’s having to substantiate his demand, provided that in his demand the Purchaser will note that the amount claimed by him is due to him owing to the occurrence of one or any of the three conditions, specifying the occurred condition or conditions.

This Guarantee will remain in force up to and including the date ..... days after the deadline for submission of bids as such deadline is stated in the Instructions to Bidders or as it may be extended by the Purchaser, notice of which extension(s) to the Bank is hereby waived. Any demand in respect of this Guarantee should reach the Bank not later than the above date.

DATE..... SIGNATURE OF THE BANK

WITNESS ..... SEAL

[signature, name, and address]

7 - ބަންދު

ފޯމް އޮފް ޕަރފޯމަންސް ގަވާއިދު

Form of Performance Guarantee

To: .....  
[name & address of Purchaser]  
.....  
.....

WHEREAS ..... [name and address of Supplier] (hereinafter called “the Supplier”) has undertaken, in pursuance of Contract No. .... dated ..... to execute ..... [name of Contract and brief description of Works] (hereinafter called “the Contract”);

AND WHEREAS it has been stipulated by you in the said Contract that the Supplier shall furnish you with a Bank Guarantee by a recognized bank for the sum specified therein as security for compliance with his obligations in accordance with the Contract;

AND WHEREAS we have agreed to give the Supplier such a Bank Guarantee;

NOW THEREFORE we hereby affirm that we are the Guarantor and responsible to you, on behalf of the Supplier, up to a total of \*..... [amount of Guarantee] ..... [amount in words], such sum being payable in the types and proportions of currencies in which the Contract Price is payable, and we undertake to pay you, upon your first written demand and without cavil or argument, any sum or sums within the limits of ..... [amount of Guarantee] as aforesaid without your needing to prove or to show grounds or reasons for your demand for the sum specified therein.

\*An amount is to be inserted by the Guarantor, representing the percentage of the Contract Price specified in the Contract, in Maldivian Rufiyaa.

We hereby waive the necessity of your demanding the said debt from the Supplier before presenting us with the demand.

We further agree that no change or addition to or other modification of the terms of the Contract or of the Works to be performed there under or of any of the Contract documents which may be made between you and the Supplier shall in any way release us from any liability under this Guarantee, and we hereby waive notice of any such change, addition, or modification.

This Guarantee shall be valid until the date of issue of the Defects Correction Certificate.

SIGNATURE AND SEAL OF THE GUARANTOR .....  
Name of Bank .....  
Address .....  
.....  
.....  
Date .....



8 - ބޭނުންކުރާ ގޮތުގައި

ބޭނުންކުރާ ގޮތުގައި ބޭނުންކުރާ ގޮތުގައި ބޭނުންކުރާ ގޮތުގައި

Form of Bank Guarantee for Advance Payment

To: .....  
 [name & address of Purchaser]  
 .....  
 .....

[name of Contract]

Gentlemen:

In accordance with the provisions of the Conditions of Contract, of the above-mentioned Contract, ..... [name and address of Supplier] (hereinafter called “the Supplier”) shall deposit with ..... [name of Purchaser] a Bank Guarantee to guarantee his proper and faithful performance under the said Clause of the Contract in an amount of ..... [amount of Guarantee] ..... [amount in words].

We, the ..... [Bank or Financial Institution], as instructed by the Supplier, agree unconditionally and irrevocably to guarantee as primary obligator and not as Surety merely, the payment to ..... [name of Purchaser] on his first demand without whatsoever right of objection on our part and without his first claim to the Supplier, in the amount not exceeding \* ..... [amount of Guarantee] ..... [amount in words].

We further agree that no change or addition to or other modification of the terms of the Contract or of Works to be performed there under or of any of the Contract documents which may be made between ..... [name of Purchaser] and the Supplier, shall in any way release us from any liability under this Guarantee, and we hereby waive notice of any such change, addition, or modification.

\* An amount is to be inserted by the Bank or Financial Institution representing the amount of the Advance Payment, in Maldivian Rufiyaa.

This Guarantee shall remain valid and in full effect from the date of the advance payment under the Contract until ..... [name of Purchaser] receives full repayment of the same amount from the Supplier.

Yours truly,  
 SIGNATURE AND SEAL: .....  
 NAME & ADDRESS OF BANK/INSTITUTION .....

