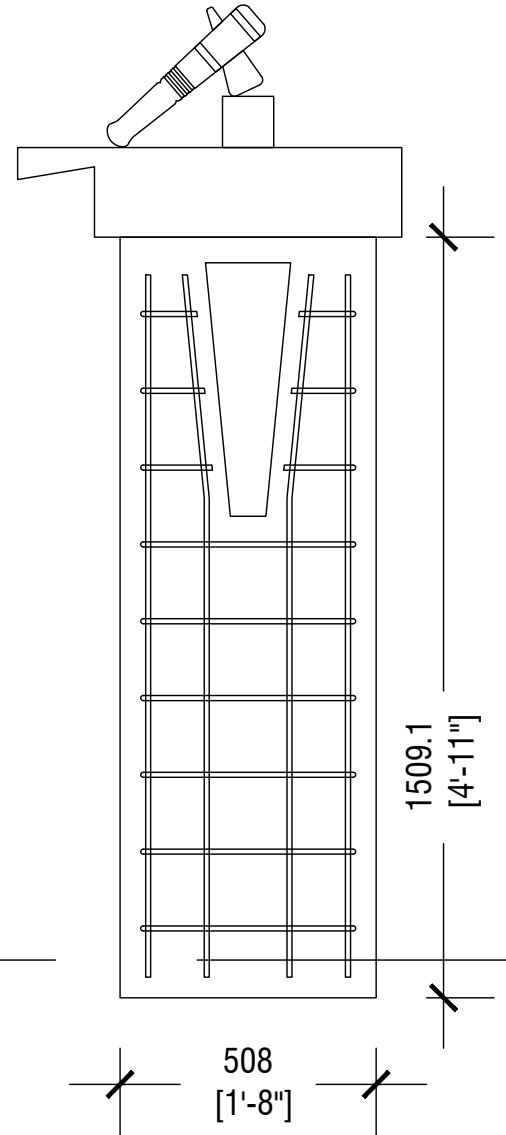
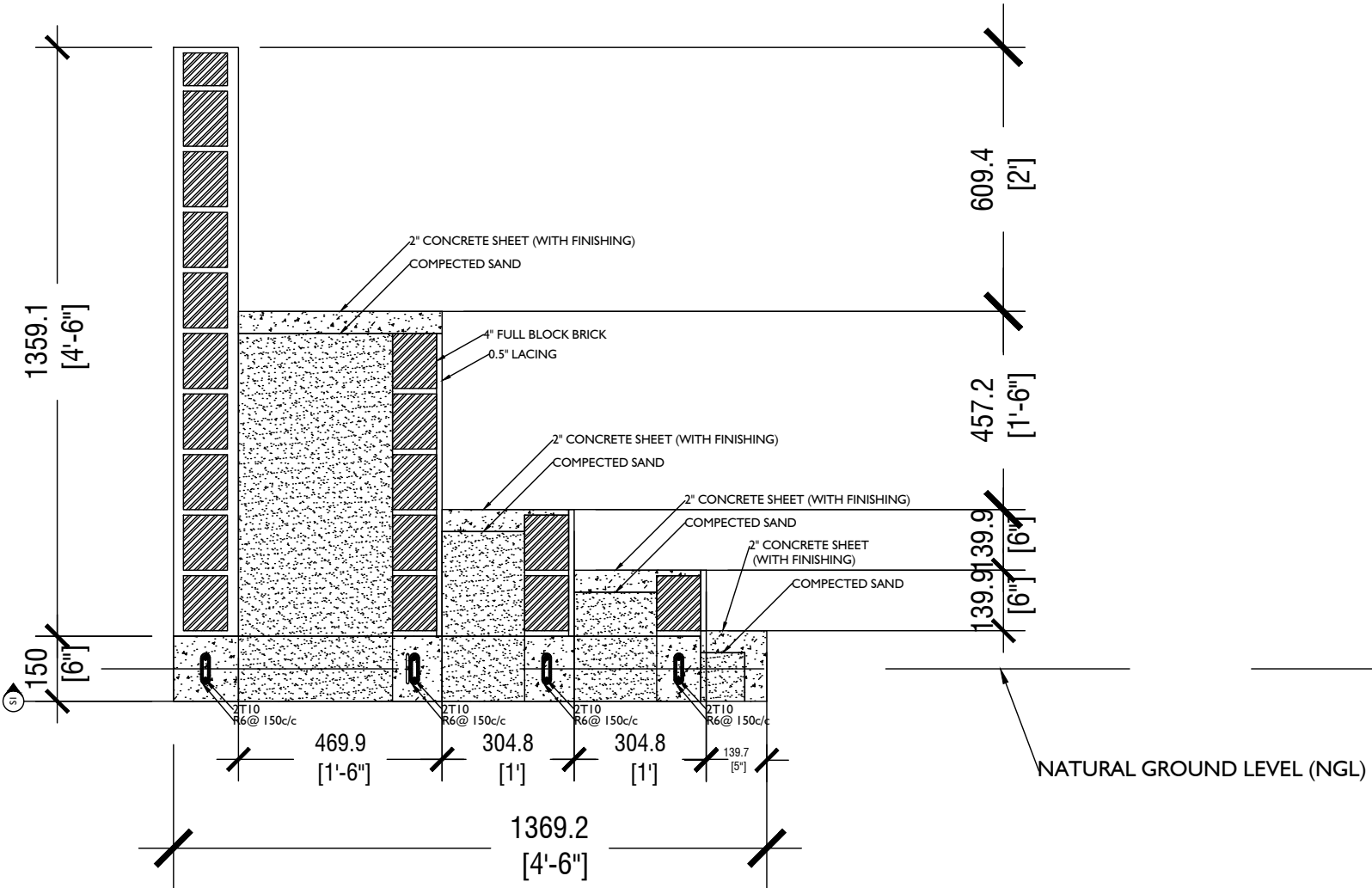
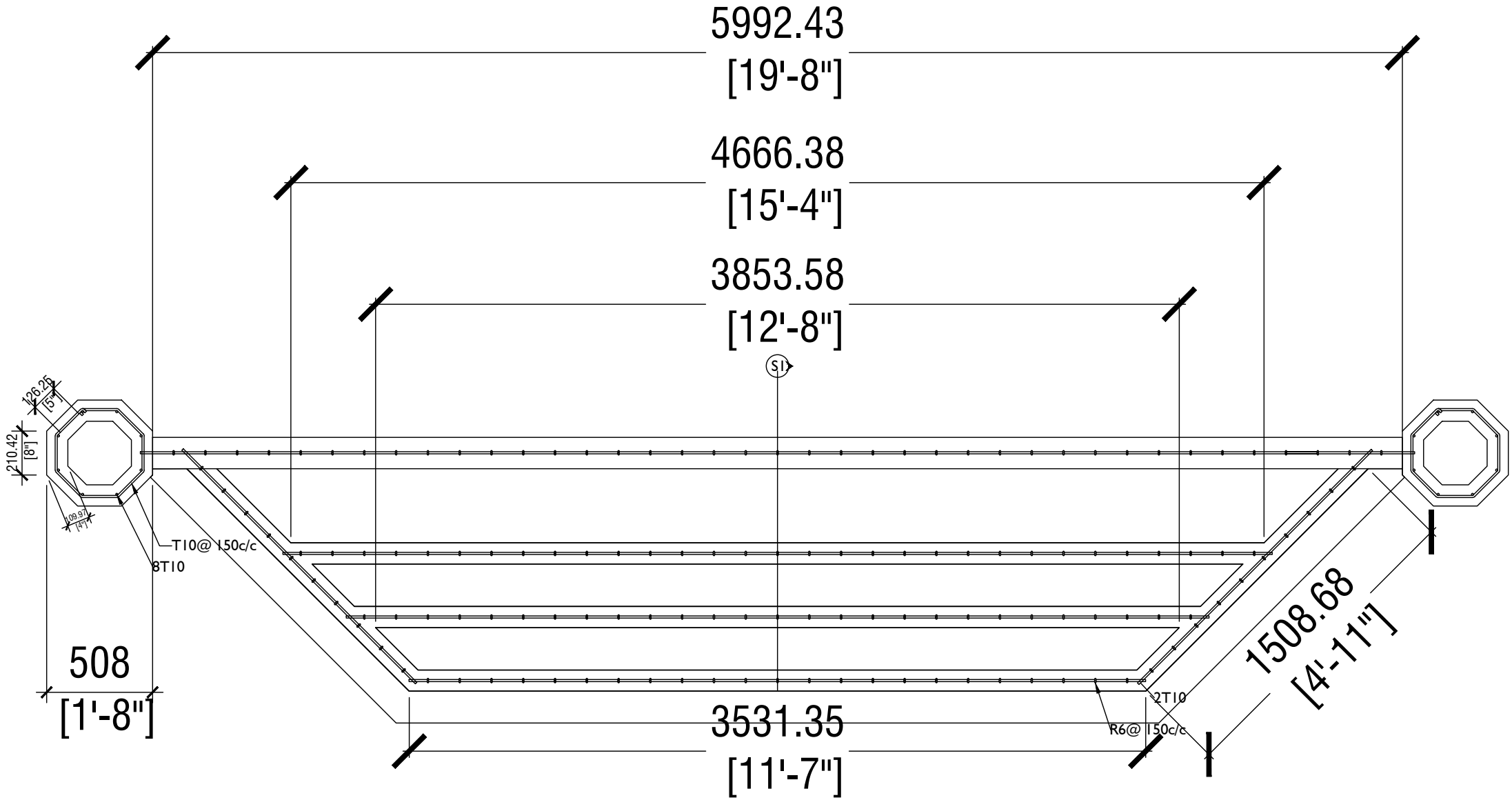


ANNEX 1



SECRETARIAT OF HULHUDHELI COUNCIL
DH. HULHUDHELI

PROJECT:
WELCOME MONUMENT
(SECTION)



SECRETARIAT OF HULHUDHELI COUNCIL
DH. HULHUDHELI

PROJECT:

WELCOME MONUMENT
(FOUNDATION BEAM)

LEGENDS:



13A TWIN SOCKET IN POLYCARBONATE BOX AT 609.6MM FROM NGL



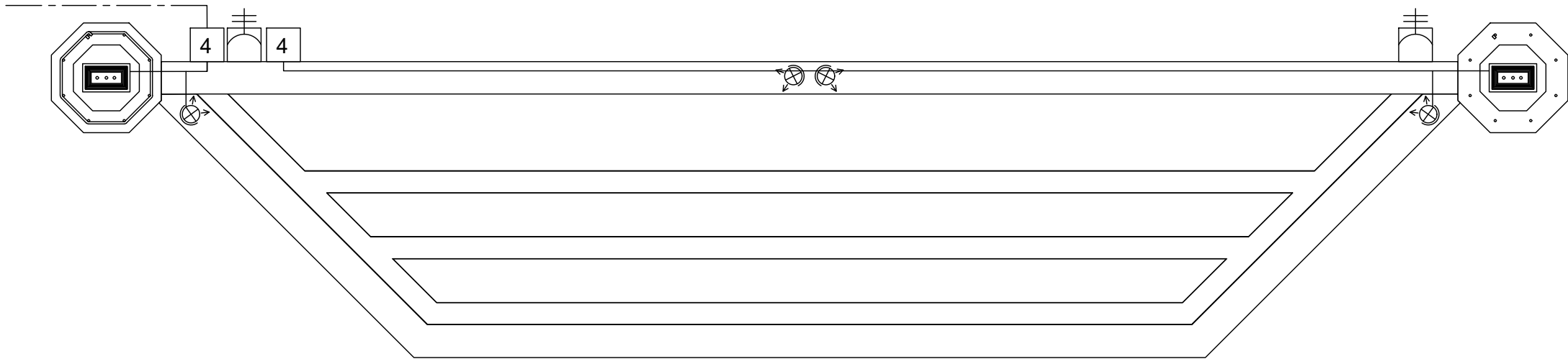
LIGHT SWITCH (4 GANG) IN POLYCARBONATE BOX AT 609.6MM FROM NGL



LED FLOOD LIGHT (RGB) WATERPROOF 20W



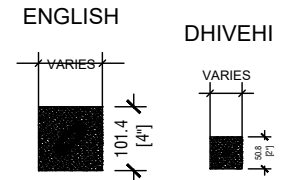
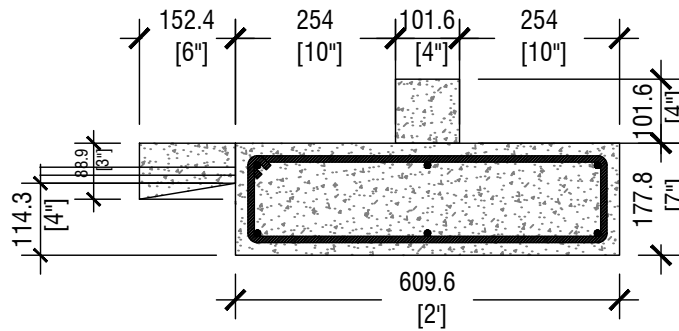
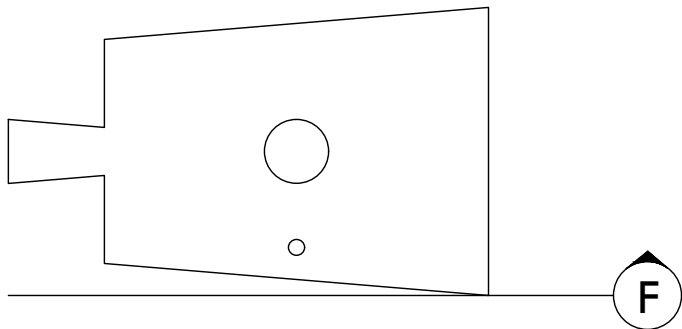
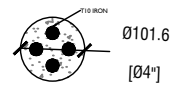
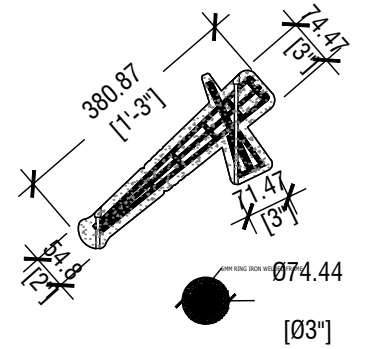
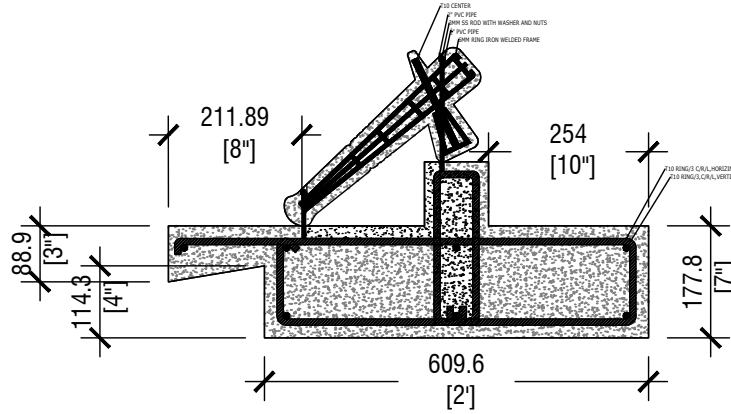
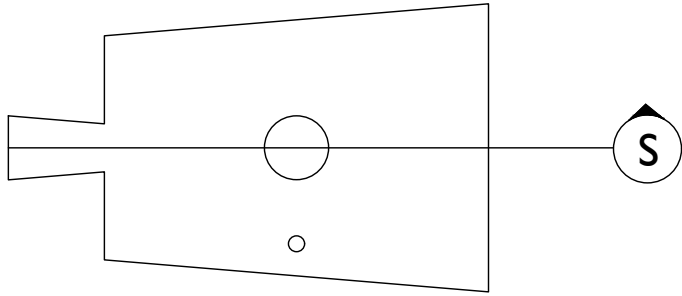
LED FLOOD LIGHT (RGB) WATERPROOF 20W



SECRETARIAT OF HULHUDHELI COUNCIL
DH. HULHUDHELI

PROJECT:

WELCOME MONUMENT
(CURRENT WIRING DIAGRAM)



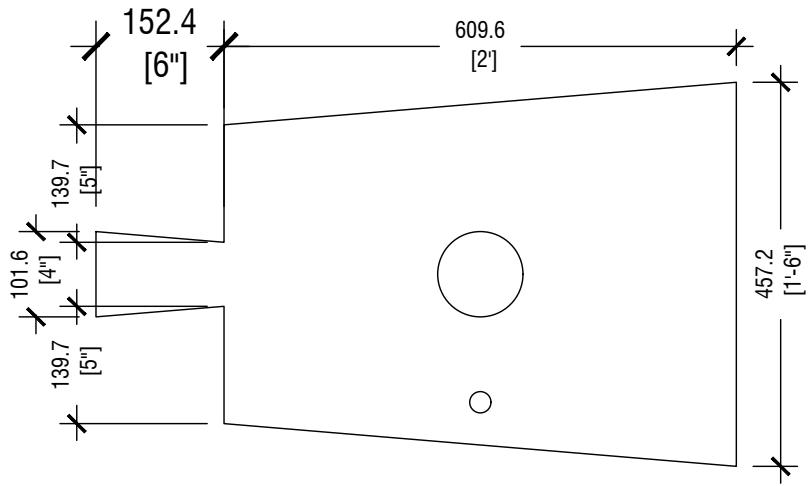
LETTER STRUCTURE



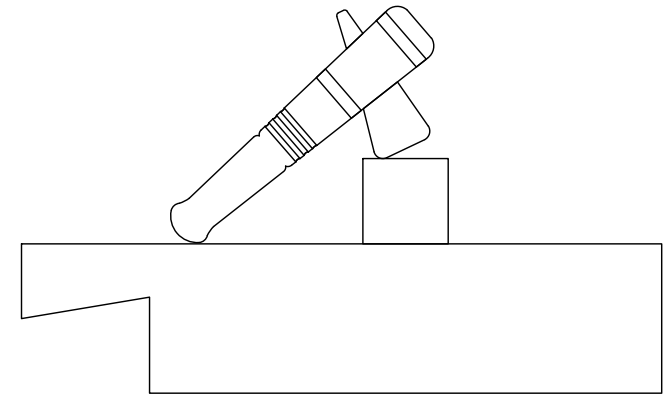
SECRETARIAT OF HULHUDHELI COUNCIL
DH. HULHUDHELI

PROJECT:

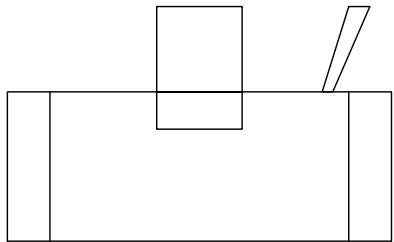
WELCOME MONUMENT
(KIRUNU - MUSHI STRUCTURE)



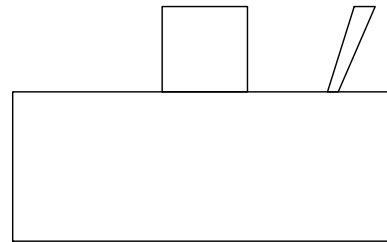
TOP VIEW



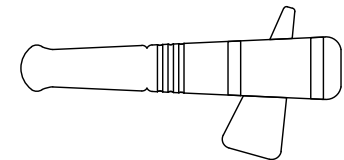
SIDE VIEW



FRONT VIEW



BACK VIEW



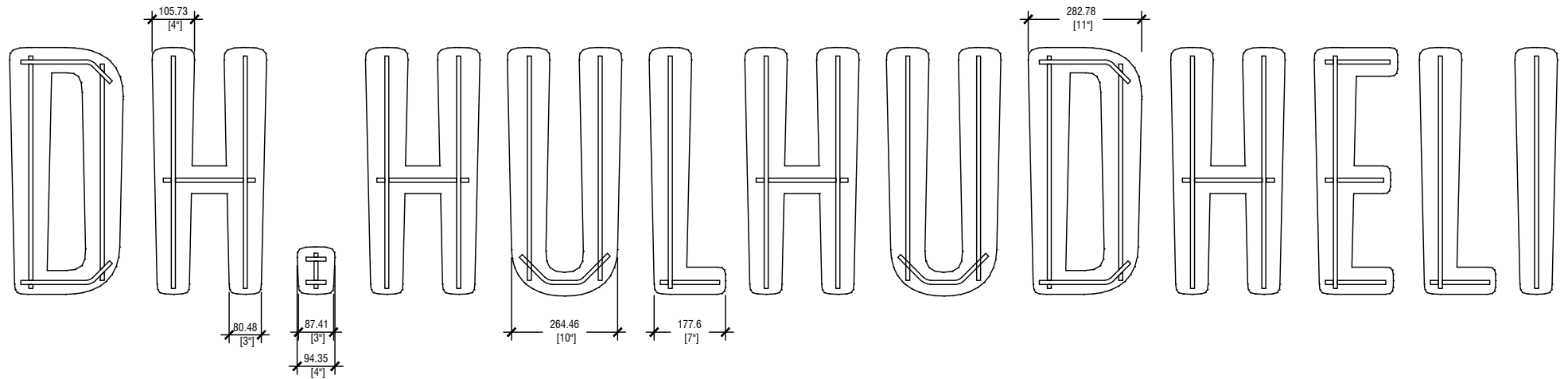
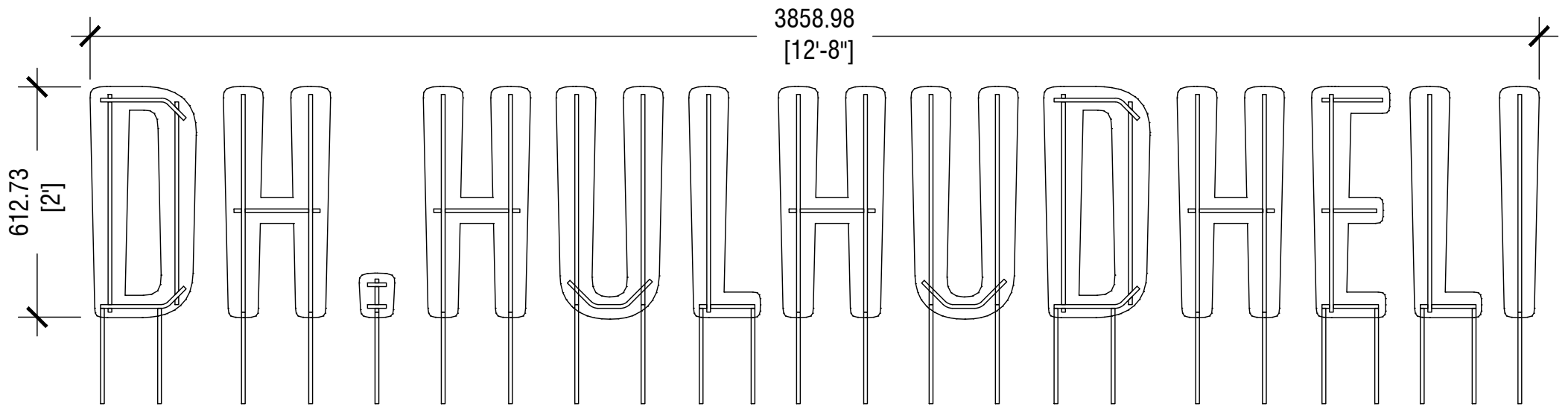
SIDE VIEW



SECRETARIAT OF HULHUDHELI COUNCIL
DH. HULHUDHELI

PROJECT:

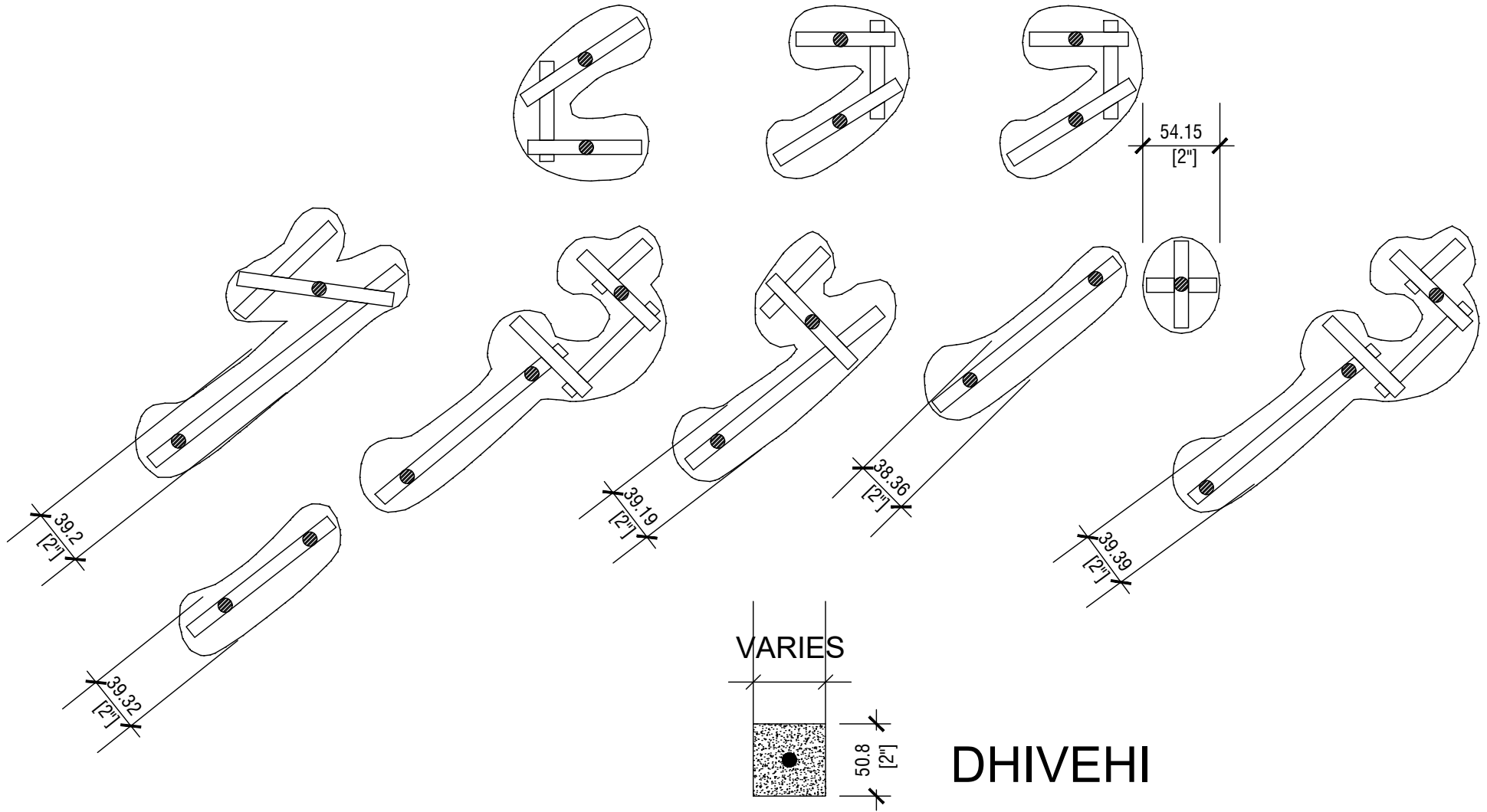
WELCOME MONUMENT
(KURUNU - MUSHI VIEW'S)



SECRETARIAT OF HULHUDHELI COUNCIL
DH. HULHUDHELI

PROJECT:

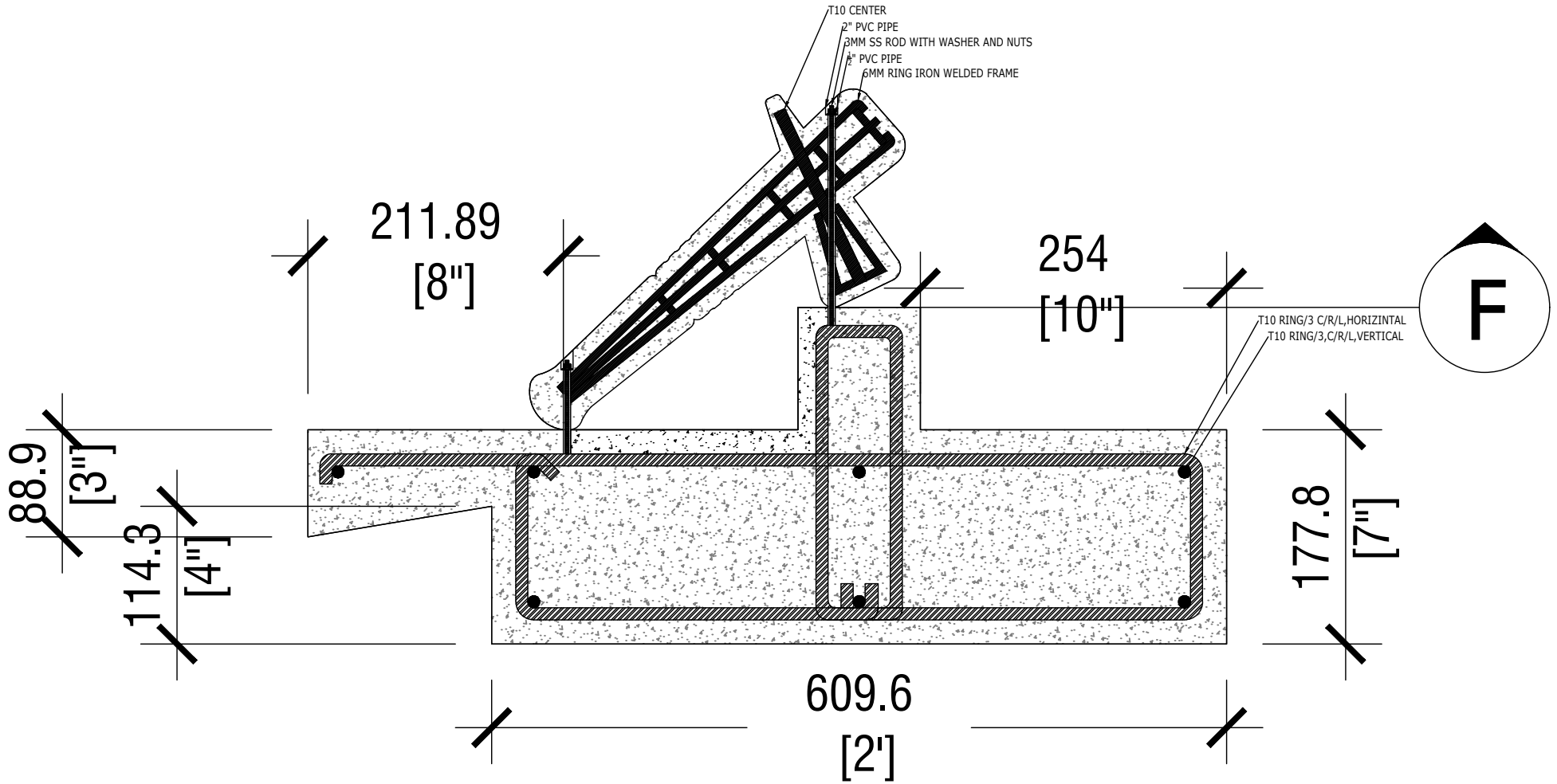
WELCOME MONUMENT
(NAME STRUCTURE - ENGLISH)



SECRETARIAT OF HULHUDHELI COUNCIL
DH. HULHUDHELI

PROJECT:

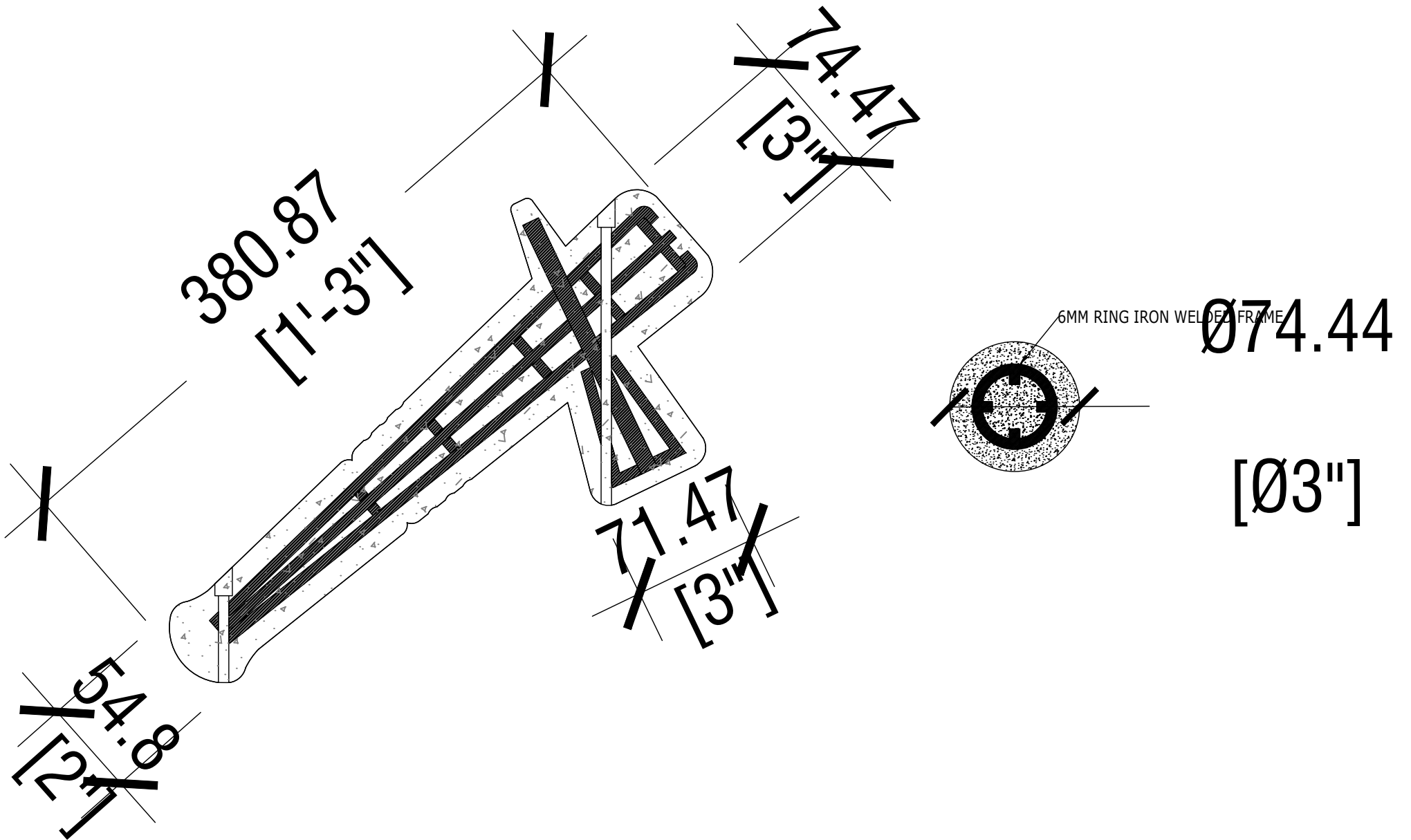
WELCOME MONUMENT
(NAME STRUCTURE - DHIVEHI)



SECRETARIAT OF HULHUDHELI COUNCIL
DH. HULHUDHELI

PROJECT:

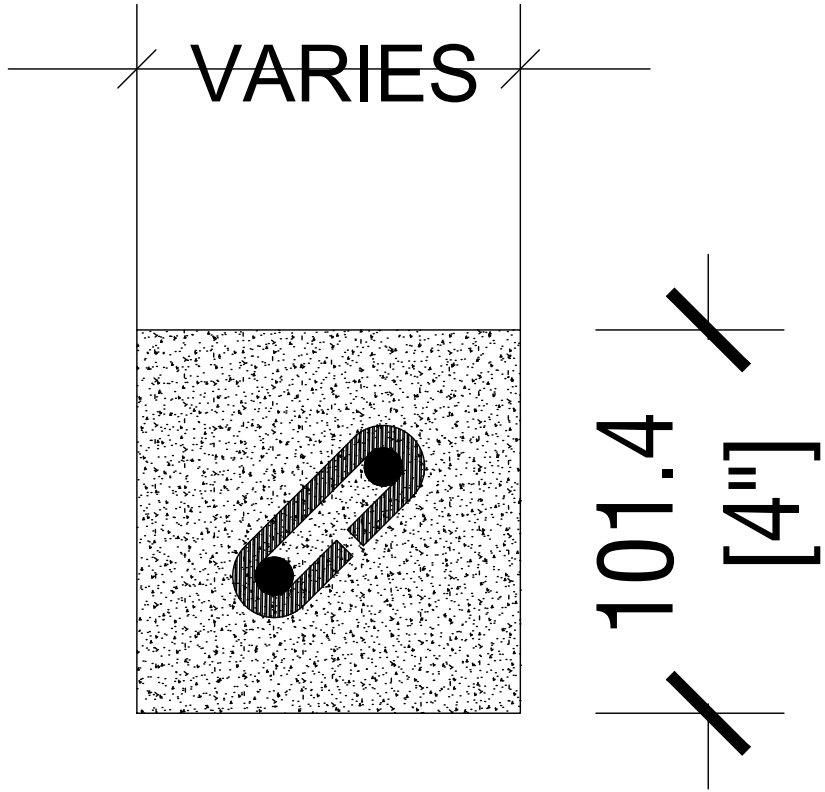
WELCOME MONUMENT
(KIRUNU STRUCTURE)



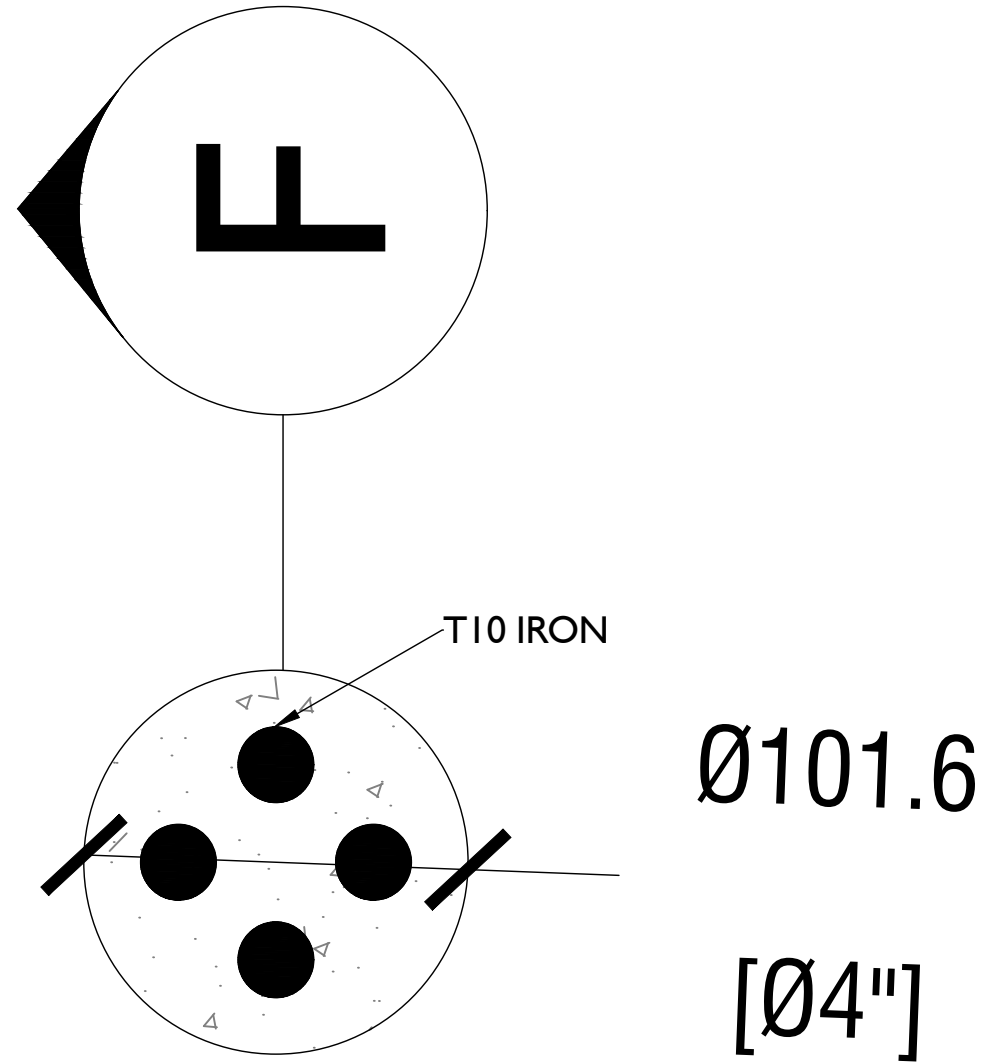
SECRETARIAT OF HULHUDHELI COUNCIL
DH. HULHUDHELI

PROJECT:

WELCOME MONUMENT
(MUSHI STRUCTURE)

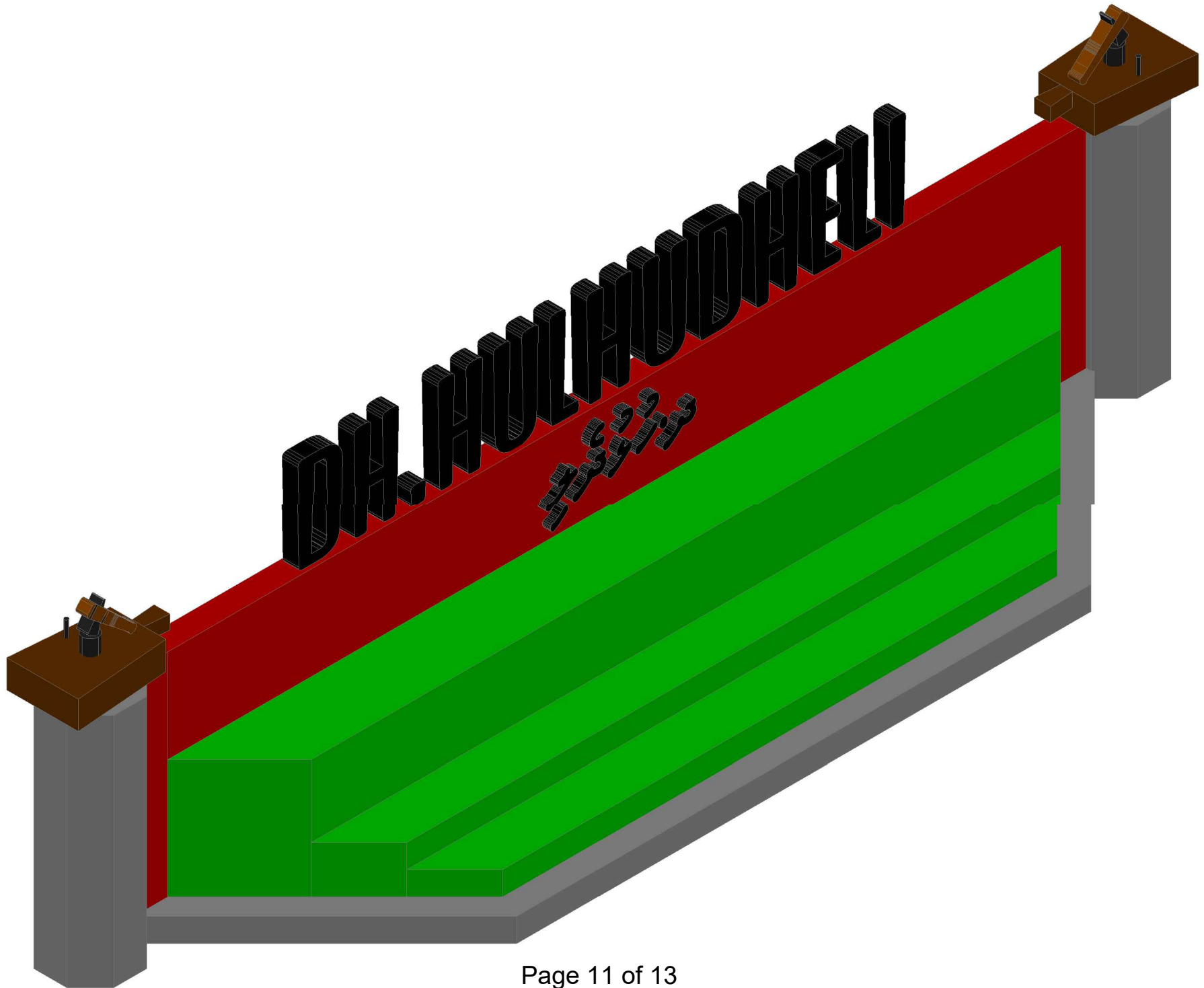


LETTER STRUCTURE



SECRETARIAT OF HULHUDHELI COUNCIL
DH. HULHUDHELI

PROJECT:
WELCOME MONUMENT
(LETTER AND KIRUNU STRUCTURE)





DH.HULHUDHELI

ދިވެހިސަރުކާރުގެ
ފަރާތުން