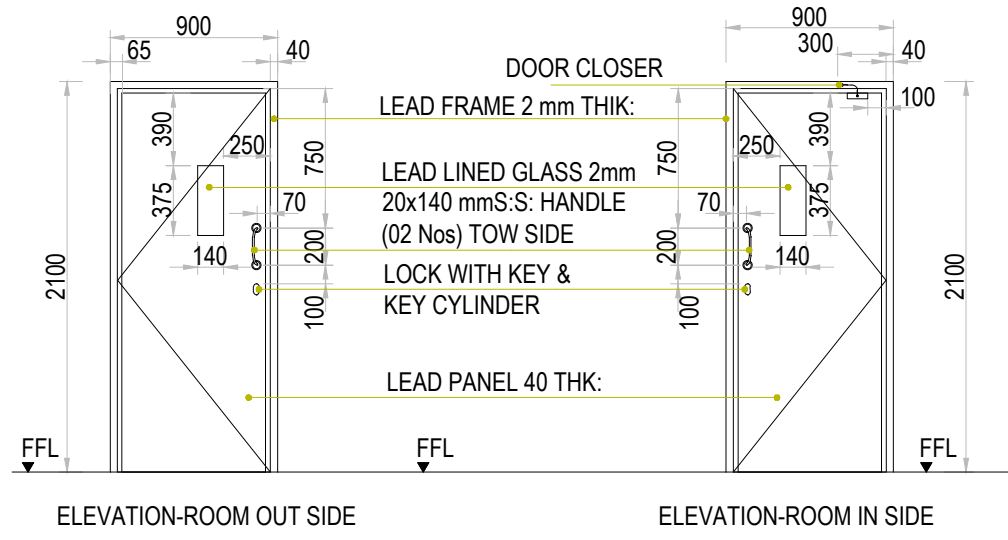


Annex 1

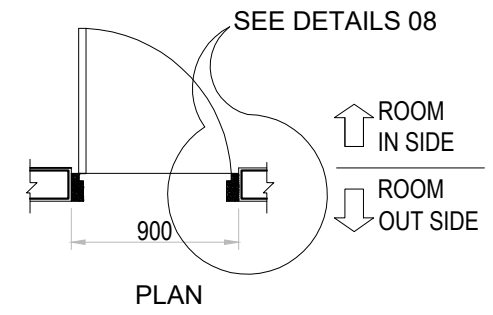
DEXA ROOM RENOVATION

Item	Description	Unit	Quantity
	<u>DOOR</u>		
1.0	<u>General</u> Rates shall include for locks, latches, closures, pull handles, bolts, kick plates hinges, screws, washer and all door hardware of superior quality.		
(1)	Fabricating and installation of Decorative Solid timber Door with 2mm ledsheet lined as per drawing (D2)	nos	1.00
(2)	Fabricating and installation of Decorative Solid timber Door with 2mm ledsheet lined as per drawing (D1)	nos	1.00
	<u>LEAD SHIELDING</u>		
2.0	<u>General</u>		
(1)	Thickness greater than or 2mm lead sheet		
(2)	Should pass radiation safety evaluation of (MOH – DEXA ROOM Standard), if not, the supplier must conduct corrective measure to comply the requirement of the (MOH – Cath lab Standard)		
(3)	Supplier should supply all the materials needed and proper installation of the lead shielding including marine plywood board (or equivalent) for the base and m-board for the cover of the lead sheet.		
(4)	Must have certificate of product registration or equivalent stating the quality and standard use for the lead/material		
	Supply and Installation of Lead Shielding up to ceiling level at walls of DEXA room	ft ²	341.78

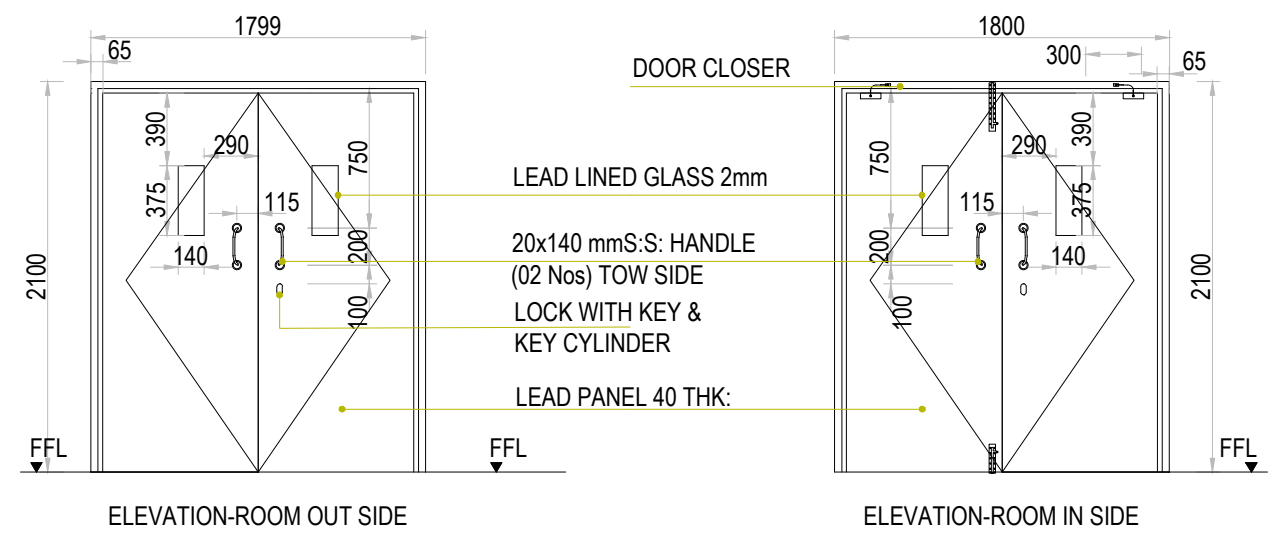


ELEVATION-ROOM OUT SIDE

ELEVATION-ROOM IN SIDE

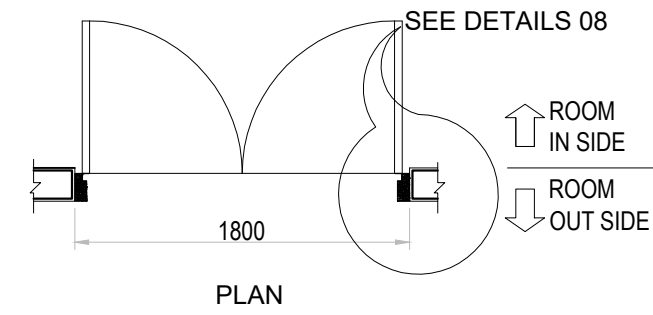


PLAN



ELEVATION-ROOM OUT SIDE

ELEVATION-ROOM IN SIDE



PLAN

D2,	LEAD LINED FRAME 2mm THIK: (SINGLE SWING)
QTY - 01 Nos	(GALVANIZED FRAME)
LOCATION	DEXA ROOM TOILET
ITEM NO	
MATERIAL	TIMBER , LED FRAME SS
COLOR FRAME	PRODUCT : NIPPON PAINT CODE : BODELAC 9000 COLOR : 9054 (BRIGHT BROWN)
COLOR PANEL	PRODUCT : ULTRAN LASUR (WOOD CARE) CODE : EL-501 LS COLOR : 501 WALNUT BROWN
HARDWARE	1)HINGES 124 X 80 X 3 MM = 04 Nos. 2)AVIVO DOOR HANDLE= 02 Nos. 3)LOCK WITH KEY & KEY HANDLE = 01 Nos

D1	LEAD LINED FRAME 2mm THIK: (SINGLE SWING)
QTY - 01 Nos	(GALVANIZED FRAME)
LOCATION	DEXA ROOM ENTRANCE
ITEM NO	
MATERIAL	TIMBER , LED FRAME SS
COLOR FRAME	PRODUCT : NIPPON PAINT CODE : BODELAC 9000 COLOR : 9054 (BRIGHT BROWN)
COLOR PANEL	PRODUCT : ULTRAN LASUR (WOOD CARE) CODE : EL-501 LS COLOR : 501 WALNUT BROWN
HARDWARE	1)HINGES 124 X 80 X 3 MM = 04 Nos. 2)AVIVO DOOR HANDLE= 02 Nos. 3)LOCK WITH KEY & KEY HANDLE = 01 Nos



TOILET

DEXA ROOM