

PROPOSED FLOOR PLAN
 HDH. KULHUDHUFFUSHI JOB CENTRE

-  WOOD PARTITIONS
-  GLASS PARTITIONS

FINAL REVISED

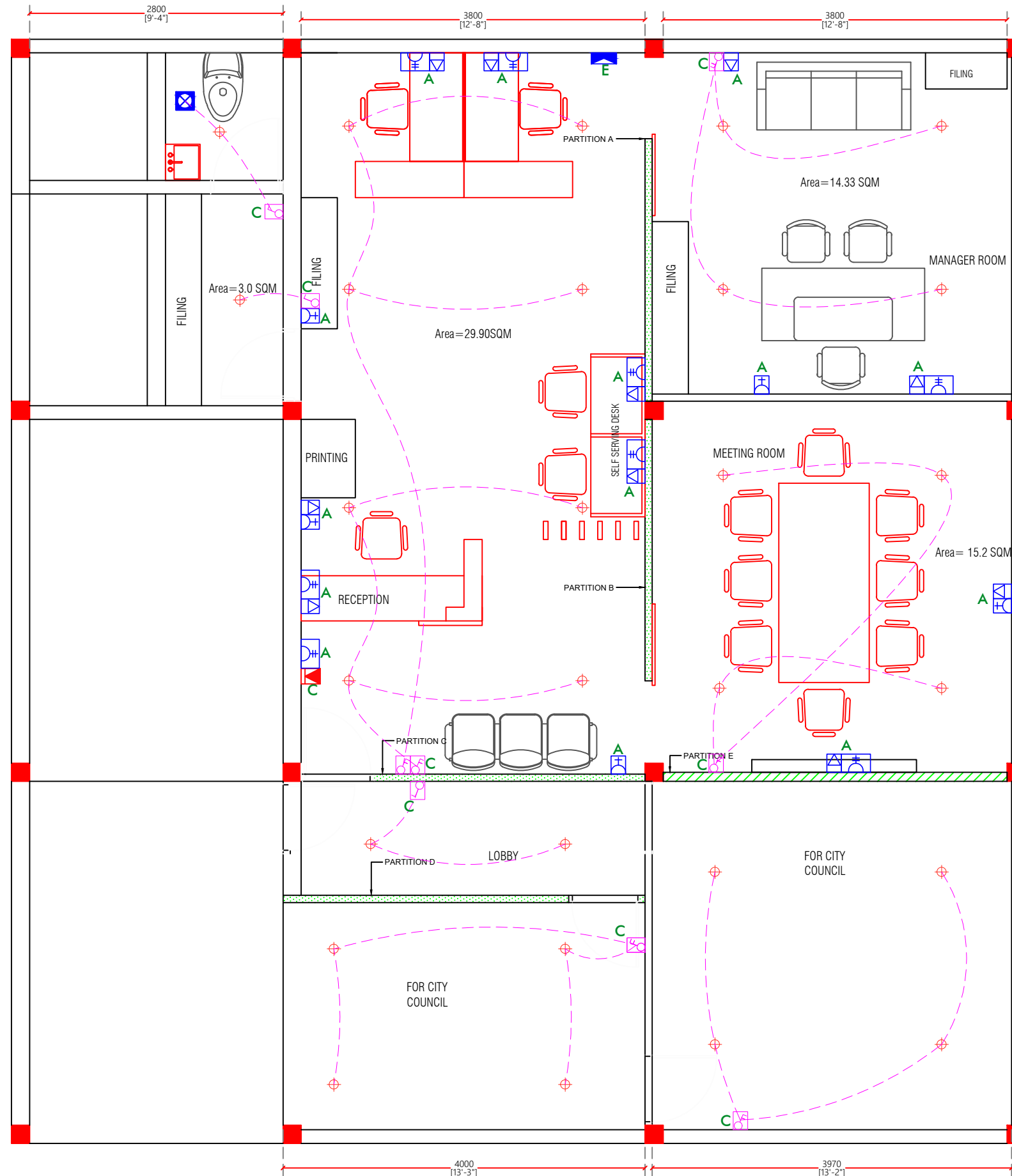
LIGHT, POWER, NETWORK AND ATTENDANCE SYSTEM

LEGEND :

	13Amp POWER POINT (SINGLE)
	13Amp POWER POINT (DOUBLE)
	13Amp POWER POINT (TWIN) WITH USB CONNECTION
	15Amp POWER POINT (SINGLE)
	TV POINT
	TELEPHONE POINT
	INTERCOM
	DATA POINT (CAT 5e UTP)
	13Amp POWER POINT SINGLE (WEATHERPROOF)
	13Amp POWER POINT DOUBLE (WEATHERPROOF)
	16Amp POWER POINT SINGLE (UNIVERSAL WEATHERPROOF)
	16Amp POWER POINT SINGLE (UNIVERSAL)
	EXHAUST FAN
	DATA DISTRIBUTION BOARD
	DISTRIBUTION BOARD
	WALL LIGHT
	TUBE LIGHT
	CEILING DOWN LIGHT
	2X18W PLC WALL LIGHT (IP165)
	LED STRIP LIGHT
	CEILING FAN
	NIGHT LAMP/SENSOR LIGHT
	PENDENT LIGHT
	CARD READER/ ATTENDANCE
	1 GANG 1 WAY SWITCH (SINGLE)
	2 GANG 1 WAY SWITCH (DOUBLE)
	1 GANG 2 WAY SWITCH (SINGLE)
	HEATER CONTROL DP SWITCH
	DIMMER SWITCH

HEIGHT OF THE FIXTURES From FFL to (mm)

A	450
B	650
C	1200
D	1385
E	1500
F	2300
G	900
H	1400
I	1800
J	2200
K	SLAB SOFFIT



PROPOSED FLOOR PLAN
HDH, KULHUDHUFFUSHI JOB CENTRE

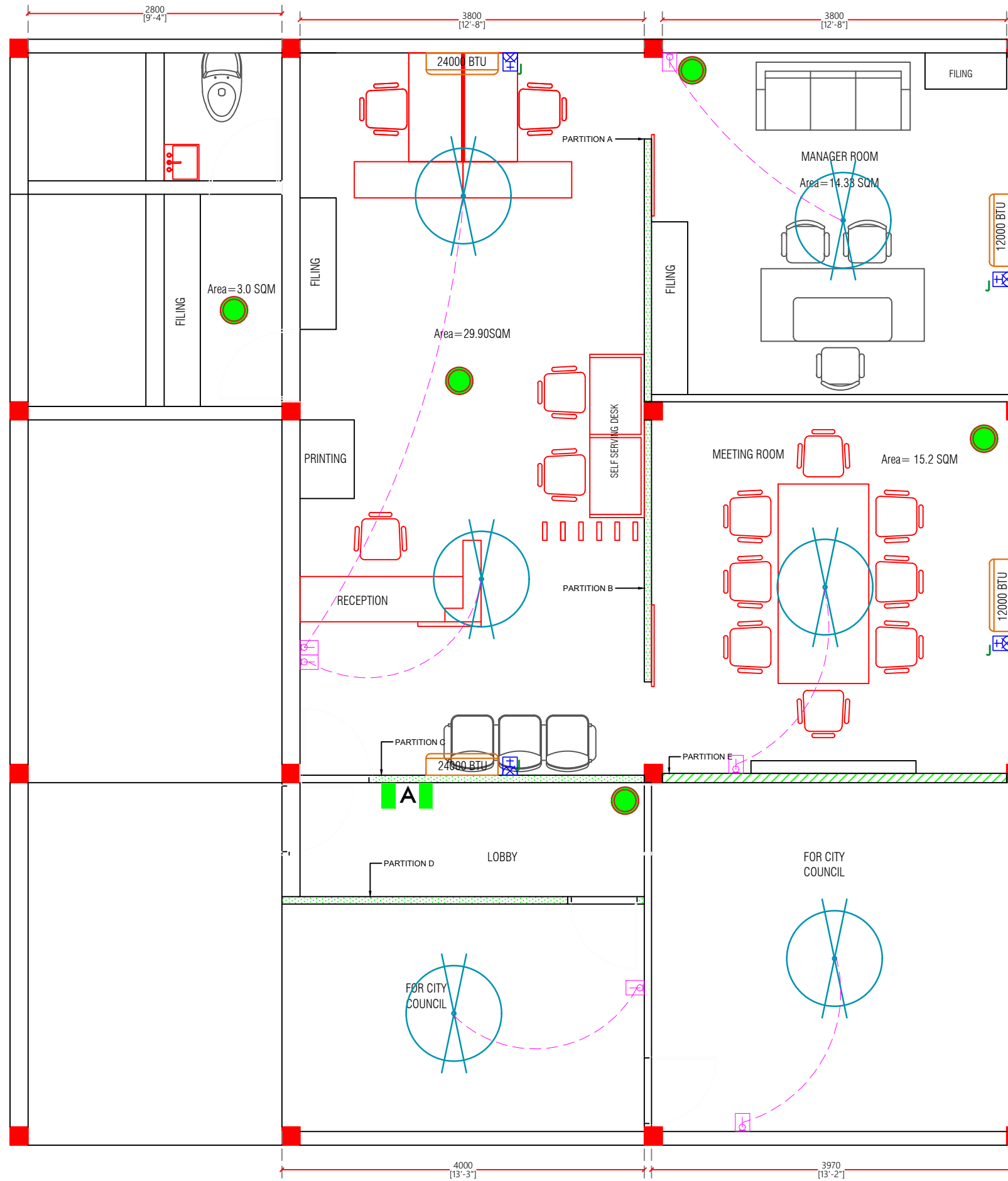
AIR CONDITIONING, CCTV & ACCESS POINTS

LEGEND :

	13Amp POWER POINT (SINGLE)
	13Amp POWER POINT (DOUBLE)
	13Amp POWER POINT (TWIN) WITH USB CONNECTION
	15Amp POWER POINT (SINGLE)
	TV POINT
	TELEPHONE POINT
	INTERCOM
	DATA POINT (CAT 5e UTP)
	13Amp POWER POINT SINGLE (WEATHERPROOF)
	13Amp POWER POINT DOUBLE (WEATHERPROOF)
	16Amp POWER POINT SINGLE (UNIVERSAL WEATHERPROOF)
	16Amp POWER POINT SINGLE (UNIVERSAL)
	EXHAUST FAN
	DATA DISTRIBUTION BOARD
	DISTRIBUTION BOARD
	WALL LIGHT
	TUBE LIGHT
	CEILING DOWN LIGHT
	2X18W PLC WALL LIGHT (IP165)
	LED STRIP LIGHT
	CEILING FAN
	NIGHT LAMP/SENSOR LIGHT
	PENDENT LIGHT
	CARD READER/ ATTENDANCE
	1 GANG 1 WAY SWITCH (SINGLE)
	2 GANG 1 WAY SWITCH (DOUBLE)
	1 GANG 2 WAY SWITCH (SINGLE)
	HEATER CONTROL DP SWITCH
	DIMMER SWITCH

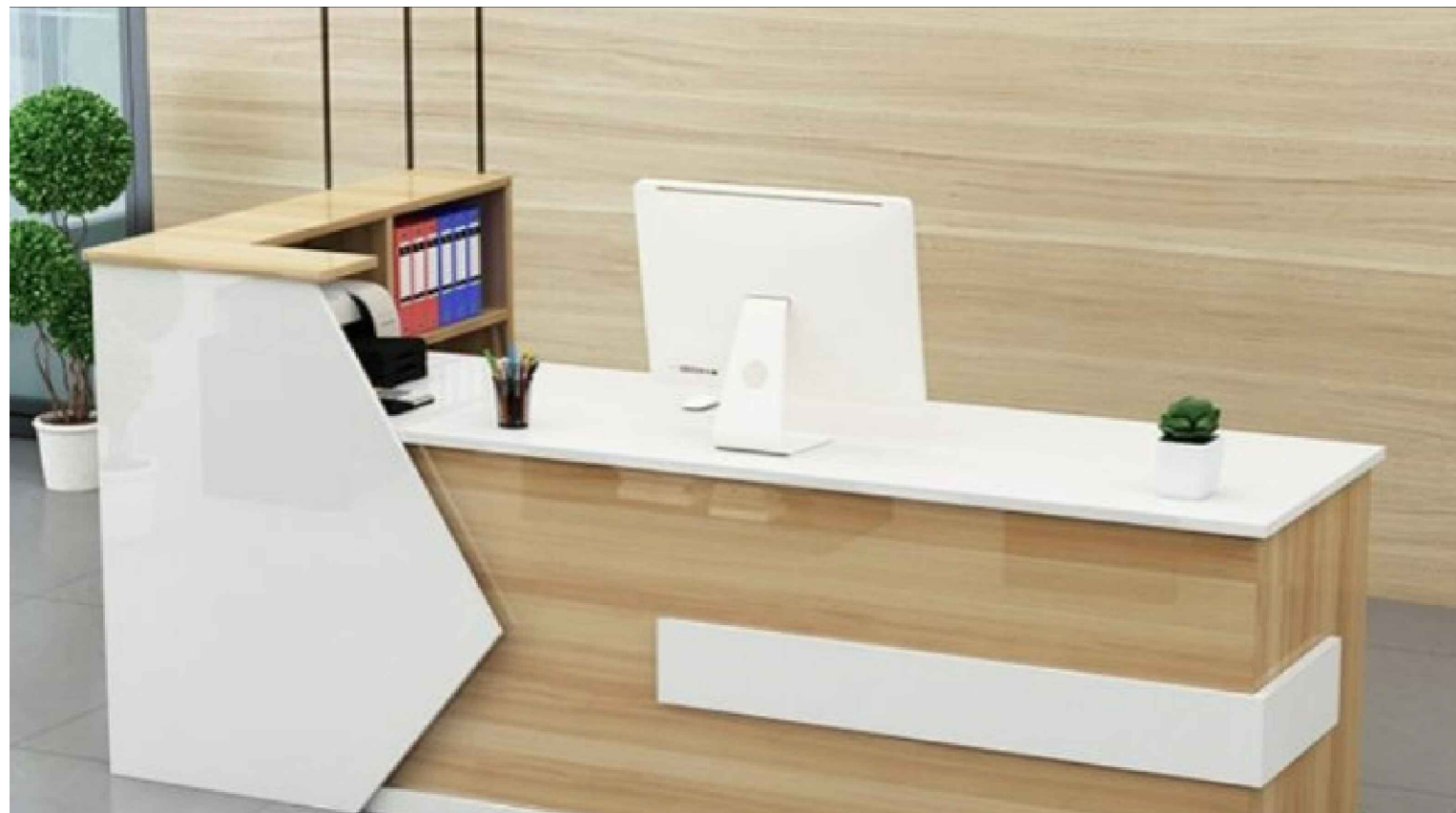
HEIGHT OF THE FIXTURES From FFL to (mm)

A	450
B	650
C	1200
D	1385
E	1500
F	2300
G	900
H	1400
I	1800
J	2200
K	SLAB SOFFIT



WOOD PARTITIONS
 GLASS PARTITIONS
 DOME
 ACCESS POINT

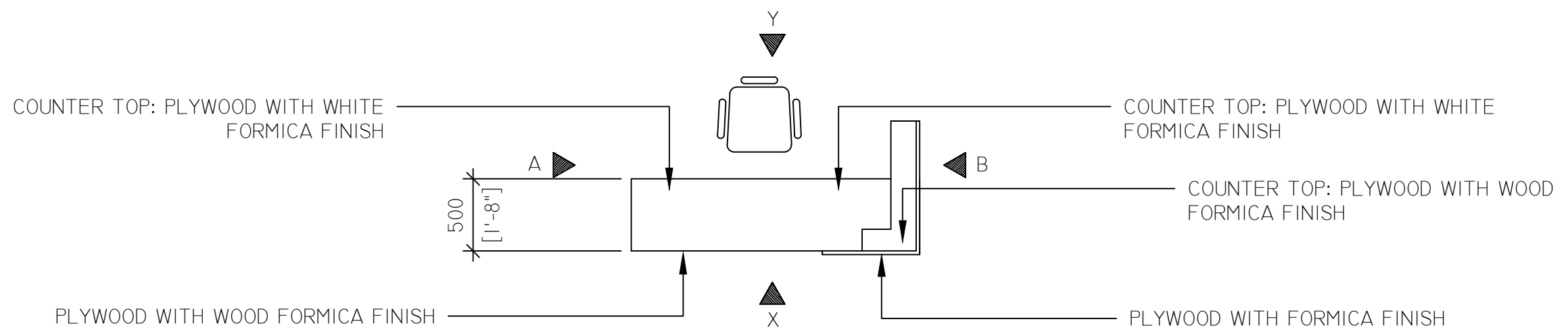
PROPOSED FLOOR PLAN
HDH. KULHUDHUFFUSHI JOB CENTRE



3D RENDER

RECEPTION COUNTER DETAILS

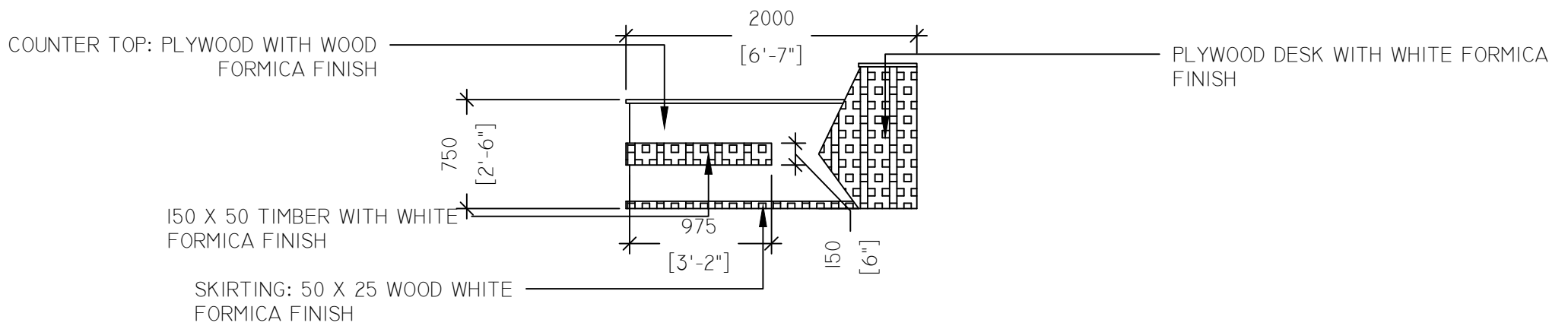
1:50



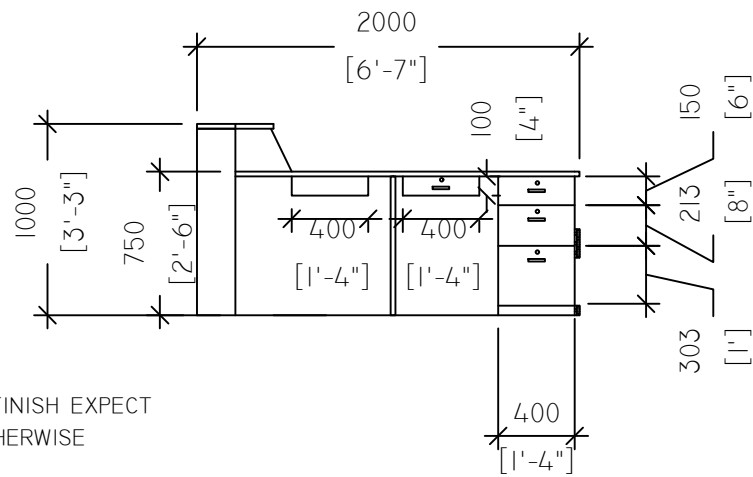
PLAN

RECEPTION COUNTER DETAILS

1:50



ELEVATION - X

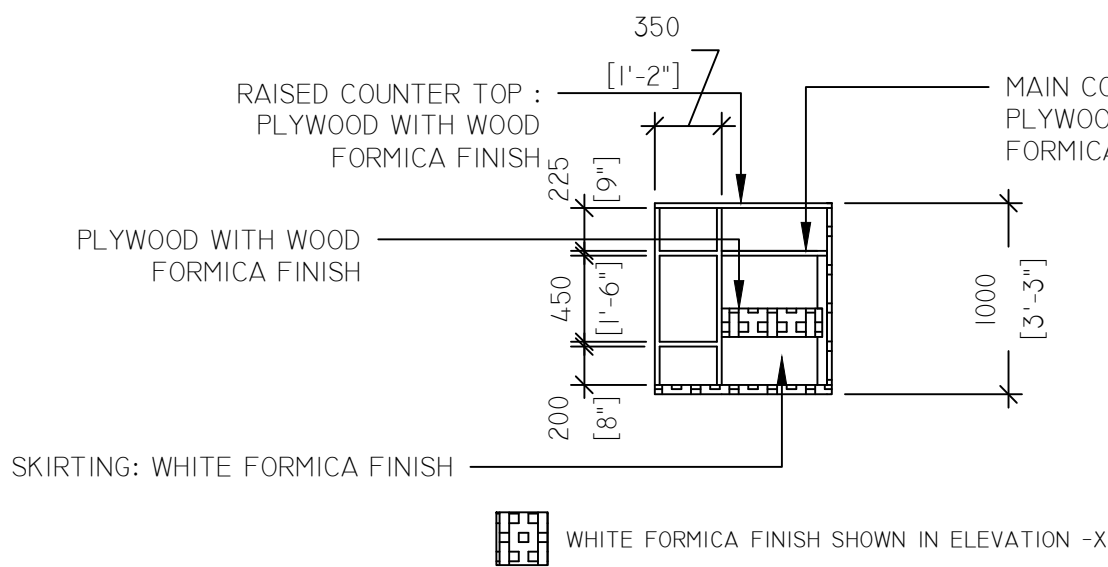


NOTE:
FINISHES TO BE WHITE FORMICA FINISH EXPECT WHERE SPECIFICALLY STATED OTHERWISE

ELEVATION - Y

RECEPTION COUNTER DETAILS

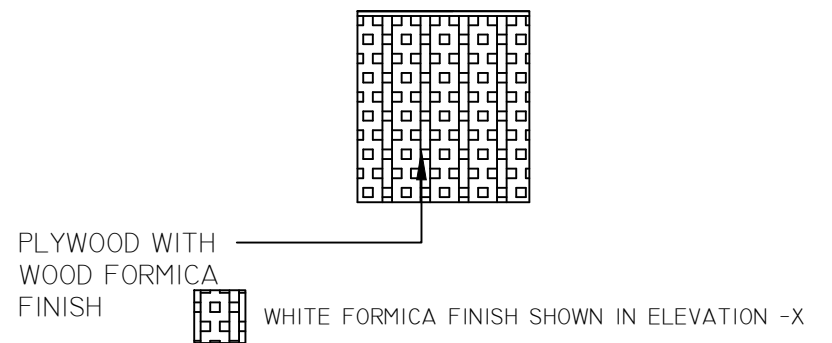
1:50



ELEVATION - A

RECEPTION COUNTER DETAILS

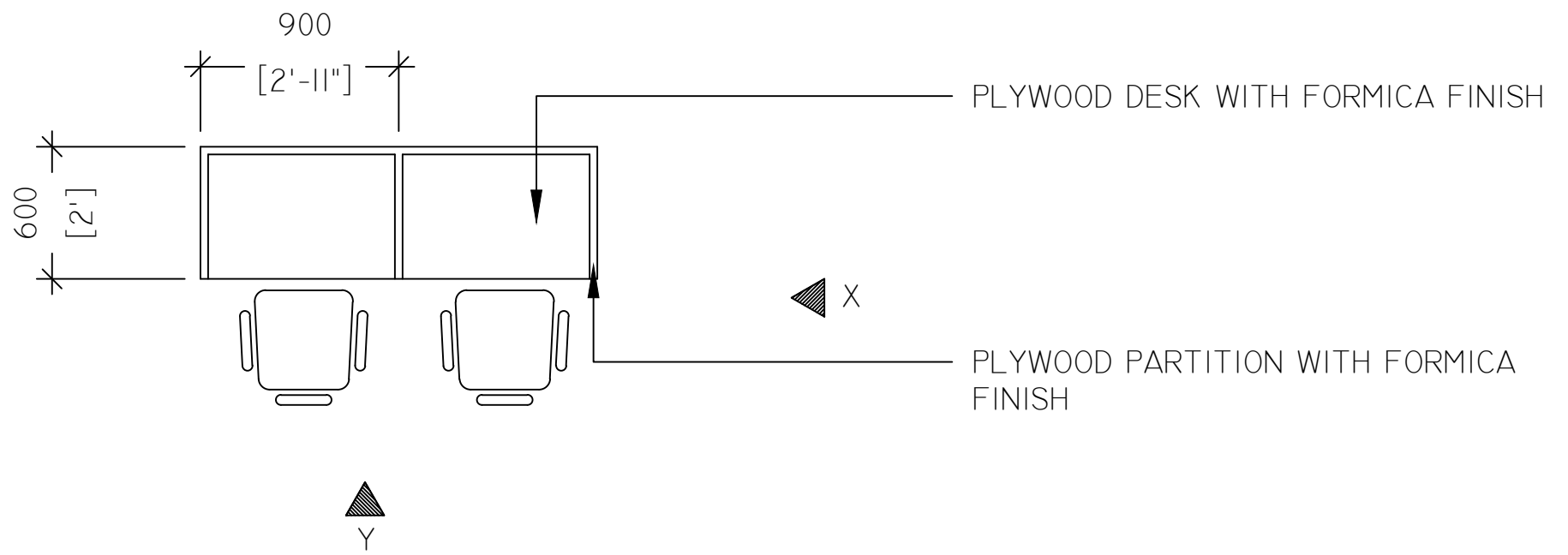
1:50



ELEVATION - B

RECEPTION COUNTER DETAILS

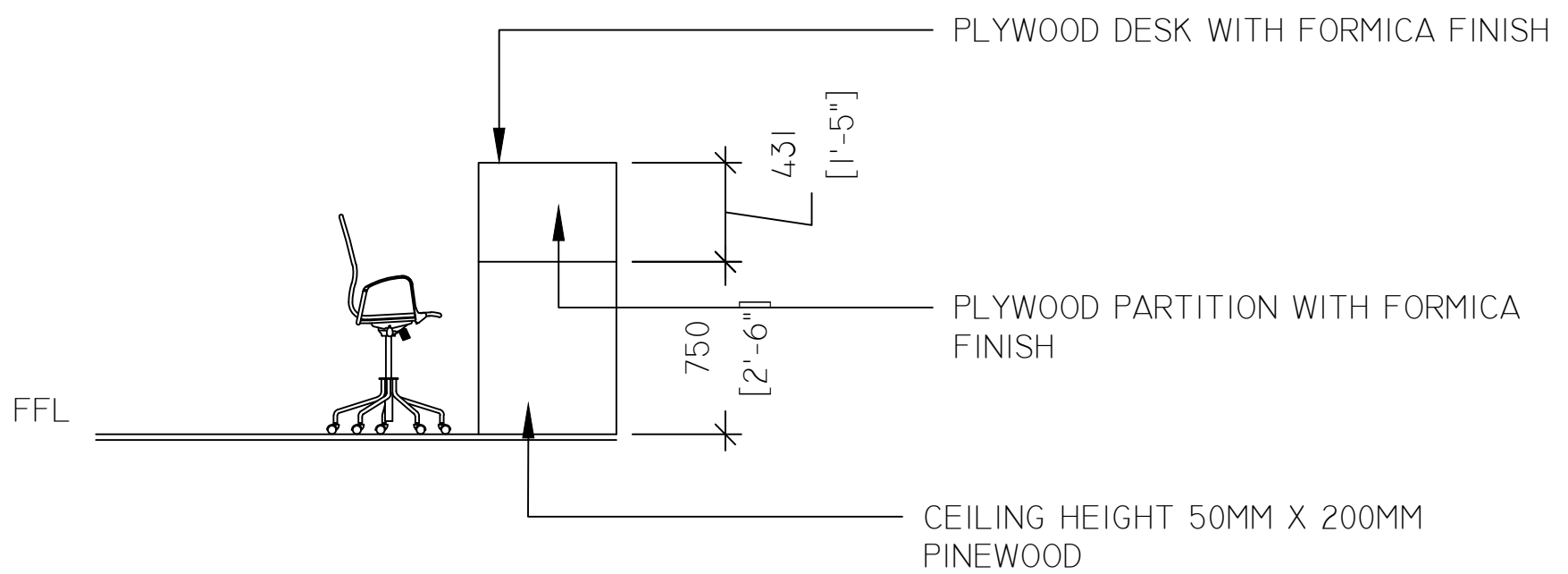
1:50



PLAN

SELF SERVICE COUNTER DETAILS

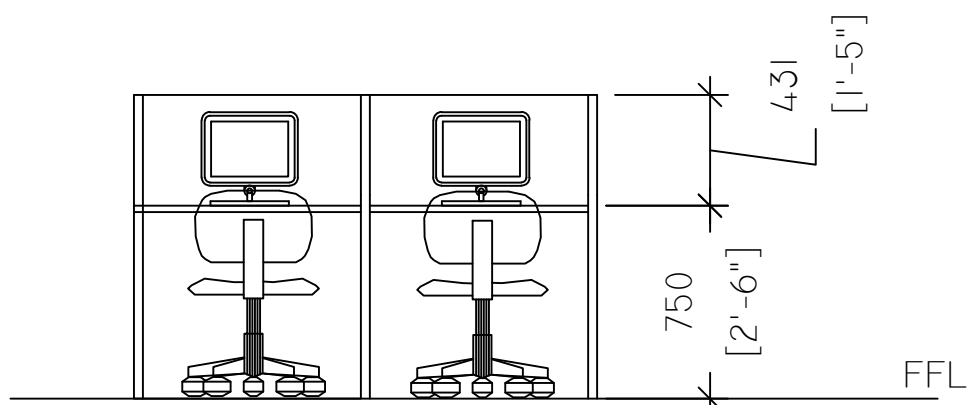
1:50



ELEVATION - X

SELF SERVICE COUNTER DETAILS

1:50



ELEVATION - Y

SELF SERVICE COUNTER DETAILS

1:50