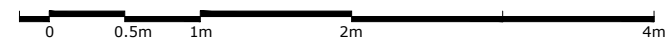


COLUMN LAYOUT PLAN (LEVEL 02)

1:50



**GENERAL NOTES**

ALL DIMENSIONS ARE IN MM. UNLESS OTHERWISE SPECIFIED  
DO NOT SCALE DRAWINGS. USE WRITTEN DIMENSIONS ONLY. IN CASE DOUBT, PLEASE ASK CONTRACTOR TO VERIFY ALL DIMENSIONS OF EXISTING WORKS ON SITE BEFORE COMMENCING ANY WORK OR PREPARING SHOP DRAWINGS

REVISION                      DATE:  
-                                      -

DESCRIPTION  
**COLUMN LAYOUT PLAN  
LEVEL 02**

CLIENT  
**MALDIVES SURFING ASSOCIATION**

PROJECT NAME  
PREFAB 2 STOREY STEEL  
STRUCTURE

STAGE  
**FOR CONSTRUCTION**

DRAWING TITLE                      SCALE  
**AS GIVEN**                              AS GIVEN

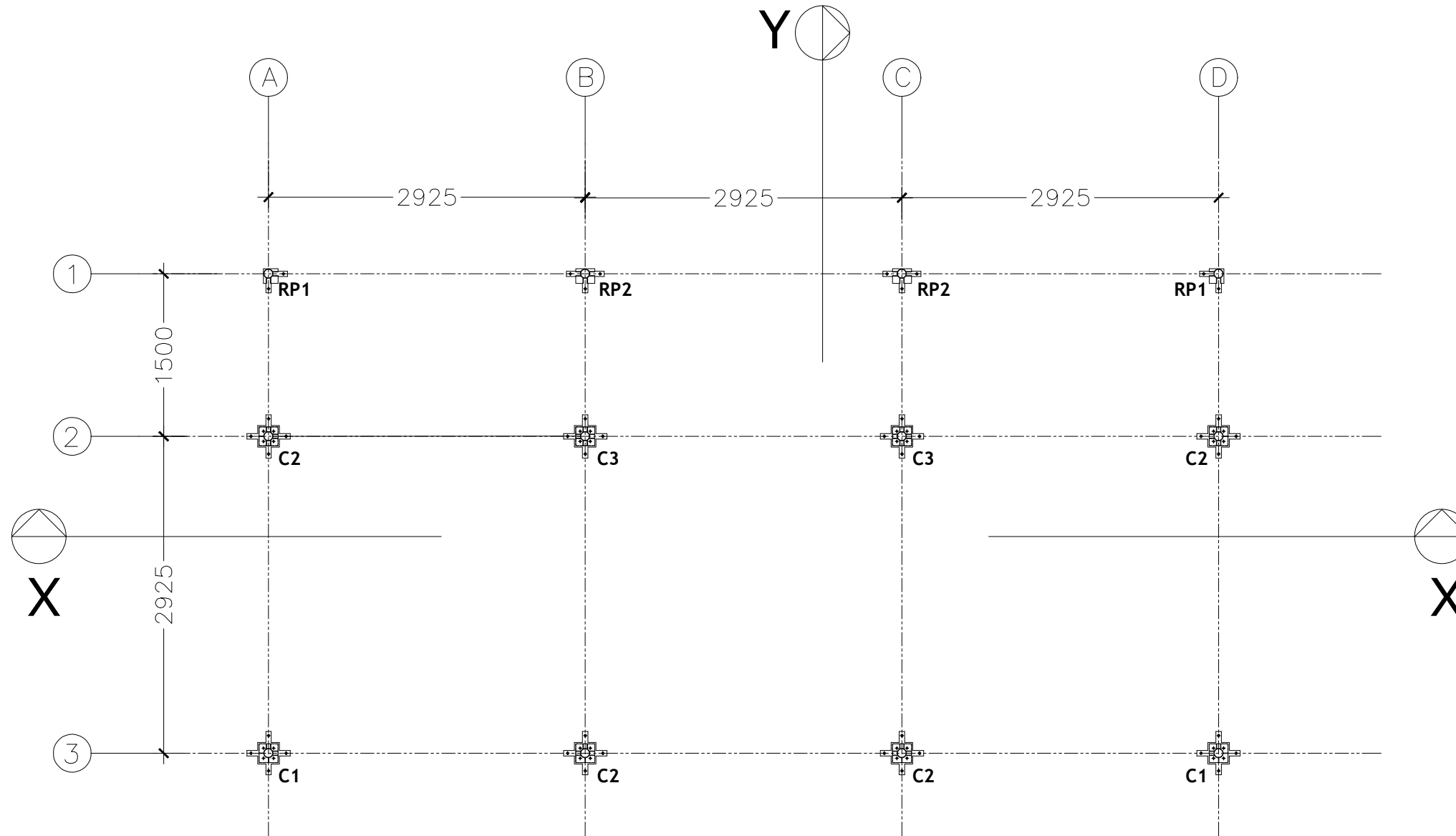
DISCIPLINE                              DRAWN BY  
**STRUCTURAL**                              NIFAU

DESIGNED BY  
NIFAU

CHECKED BY  
-

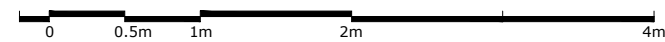
SHEET SIZE                              DRAWING NUMBER  
**A3**    **S-01**

DATE    REVISION  
**APRIL 09, 2023**                              -



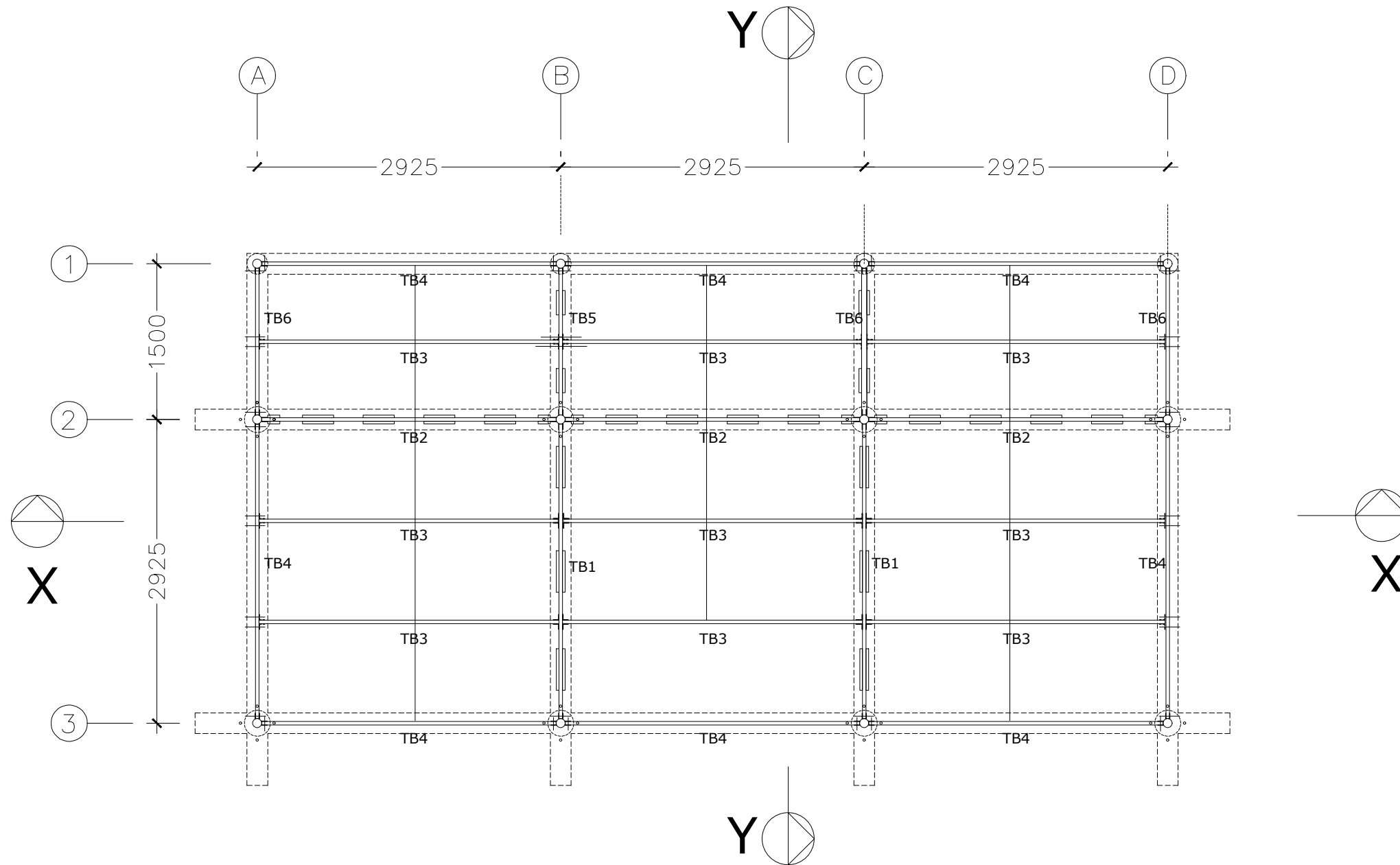
COLUMN ANCHOR REMOVABLE BASE PLATE  
& COLUMN PLAN (LEVEL 01)

1:50



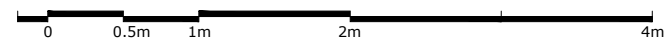
**GENERAL NOTES**  
ALL DIMENSIONS ARE IN MM. UNLESS OTHERWISE SPECIFIED  
DO NOT SCALE DRAWINGS. USE WRITTEN DIMENSIONS ONLY. IN CASE DOUBT, PLEASE ASK CONTRACTOR TO VERIFY ALL DIMENSIONS OF EXISTING WORKS ON SITE BEFORE COMMENCING ANY WORK OR PREPARING SHOP DRAWINGS

REVISION	DATE:
	-
DESCRIPTION <b>COLUMN ANCHOR PLATE &amp; COLUMN LAYOUT PLAN LEVEL 01</b>	
CLIENT <b>MALDIVES SURFING ASSOCIATION</b>	
PROJECT NAME PREFAB 2 STOREY STEEL STRUCTURE	
STAGE <b>FOR CONSTRUCTION</b>	
DRAWING TITLE <b>AS GIVEN</b>	SCALE AS GIVEN
DISCIPLINE <b>STRUCTURAL</b>	DRAWN BY <b>NIFAU</b>
	DESIGNED BY <b>NIFAU</b>
	CHECKED BY -
SHEET SIZE <b>A3</b>	DRAWING NUMBER <b>S-02</b>
DATE <b>APRIL 09, 2023</b>	REVISION



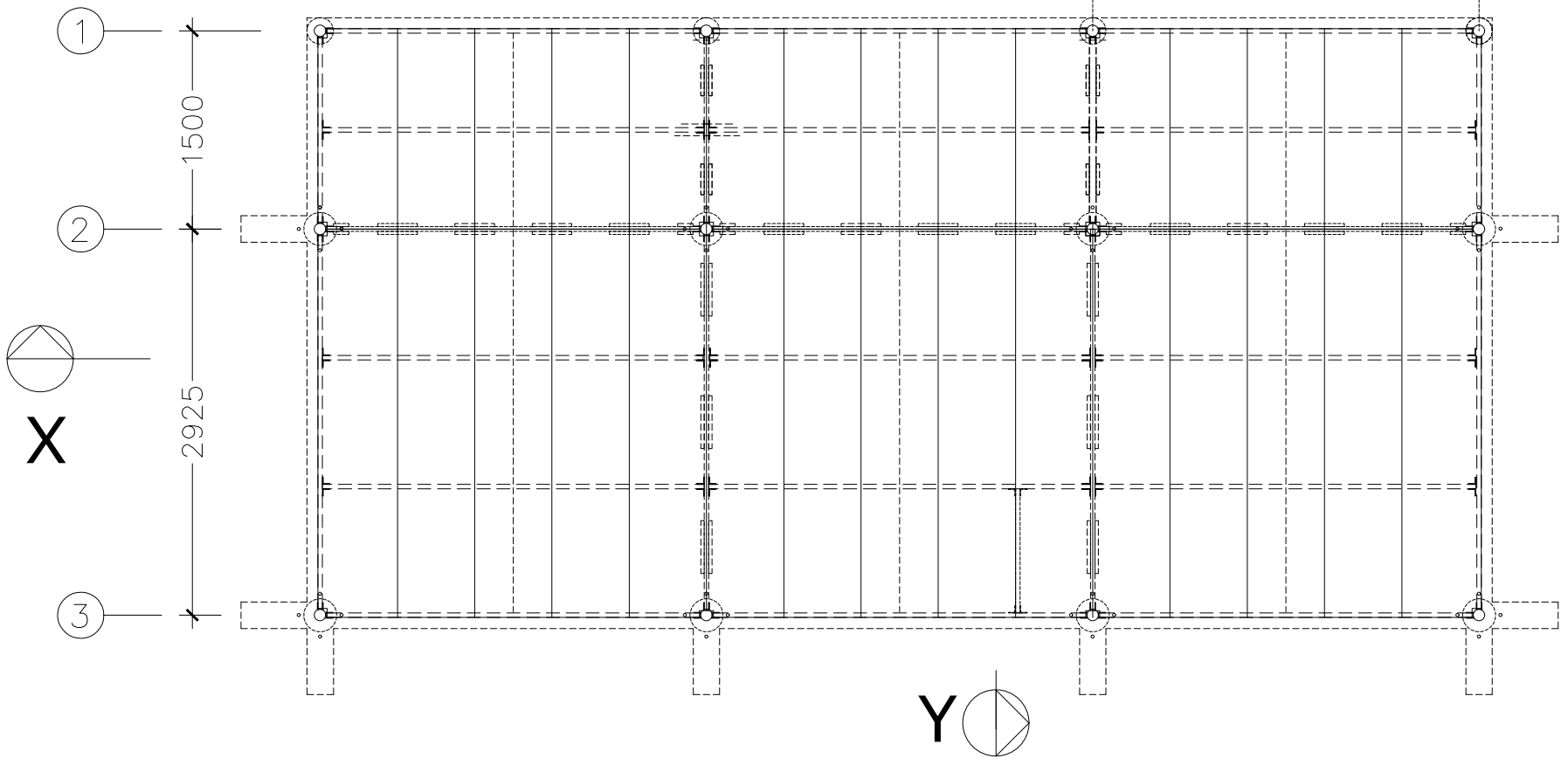
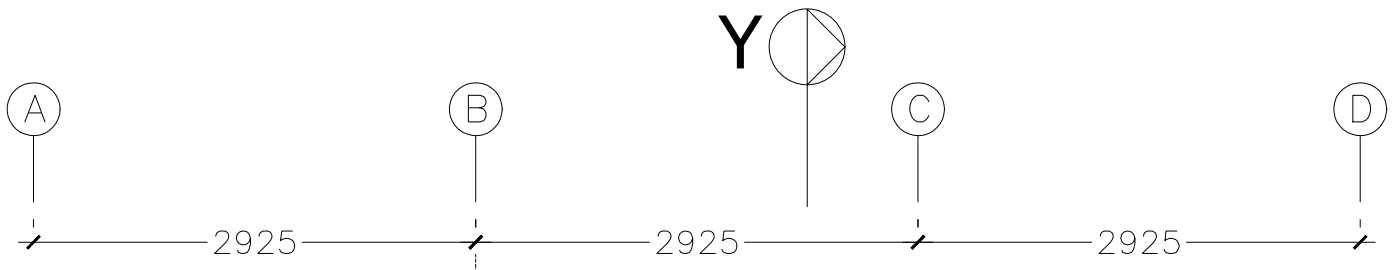
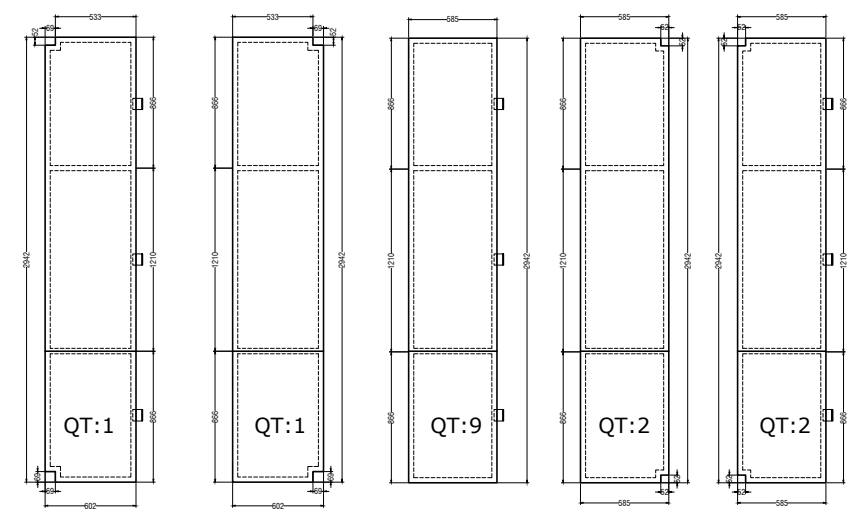
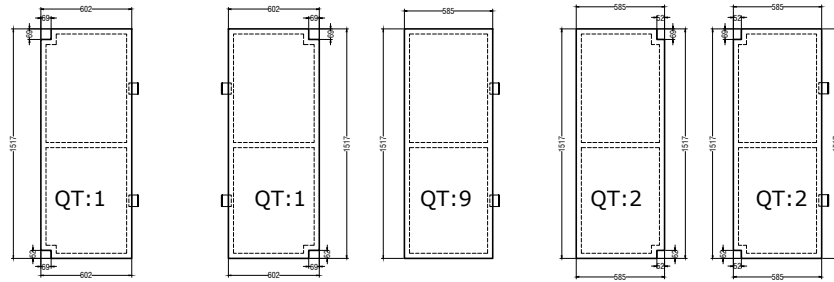
**FLOOR JOIST PLAN (LEVEL 01)**

1:50



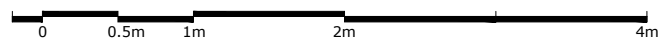
**GENERAL NOTES**  
 ALL DIMENSIONS ARE IN MM. UNLESS OTHERWISE SPECIFIED  
 DO NOT SCALE DRAWINGS. USE WRITTEN DIMENSIONS ONLY. IN CASE OF DOUBT, PLEASE ASK CONTRACTOR TO VERIFY ALL DIMENSIONS OF EXISTING WORKS ON SITE BEFORE COMMENCING ANY WORK OR PREPARING SHOP DRAWINGS

REVISION	DATE:
	-
DESCRIPTION <b>FLOOR JOIST PLAN</b>	
CLIENT <b>MALDIVES SURFING ASSOCIATION</b>	
PROJECT NAME PREFAB 2 STOREY STEEL STRUCTURE	
STAGE <b>FOR CONSTRUCTION</b>	
DRAWING TITLE <b>AS GIVEN</b>	SCALE AS GIVEN
DISCIPLINE <b>STRUCTURAL</b>	DRAWN BY <b>NIFAU</b>
	DESIGNED BY <b>NIFAU</b>
	CHECKED BY -
SHEET SIZE <b>A3</b>	DRAWING NUMBER <b>S-03</b>
DATE <b>APRIL 09, 2023</b>	REVISION



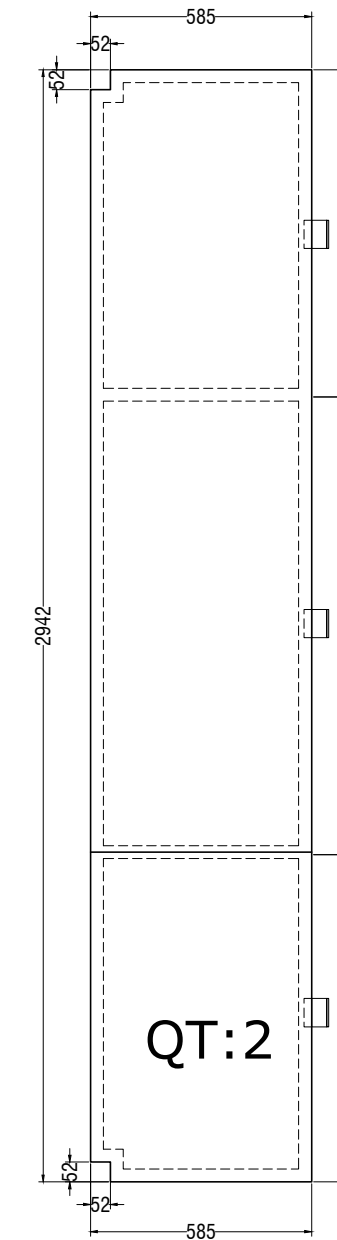
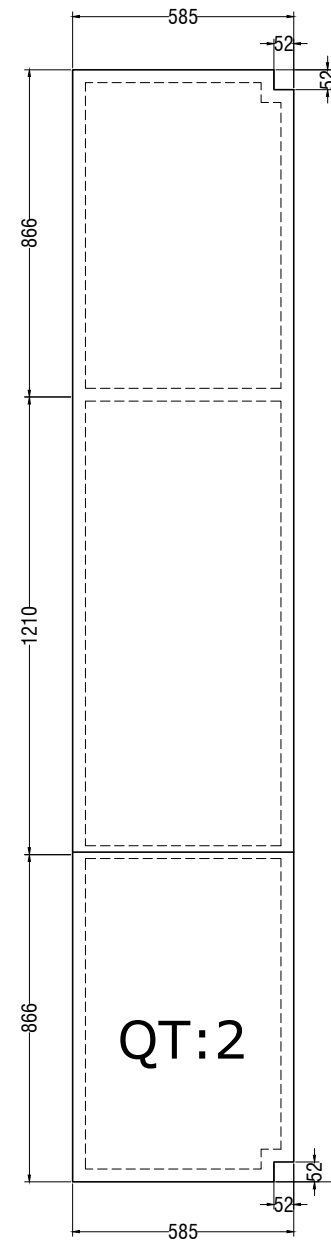
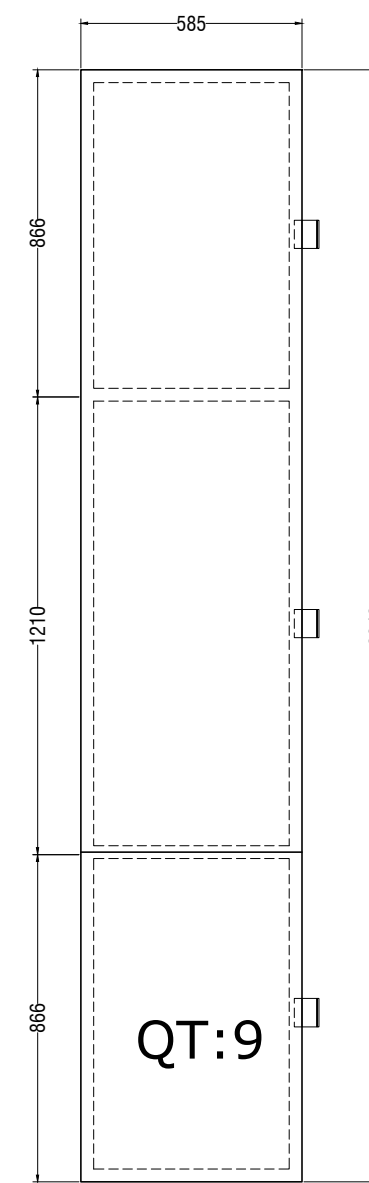
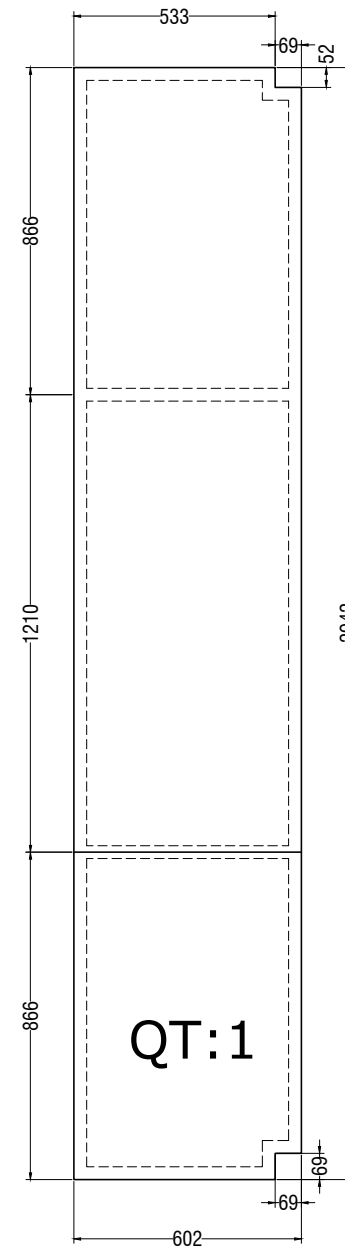
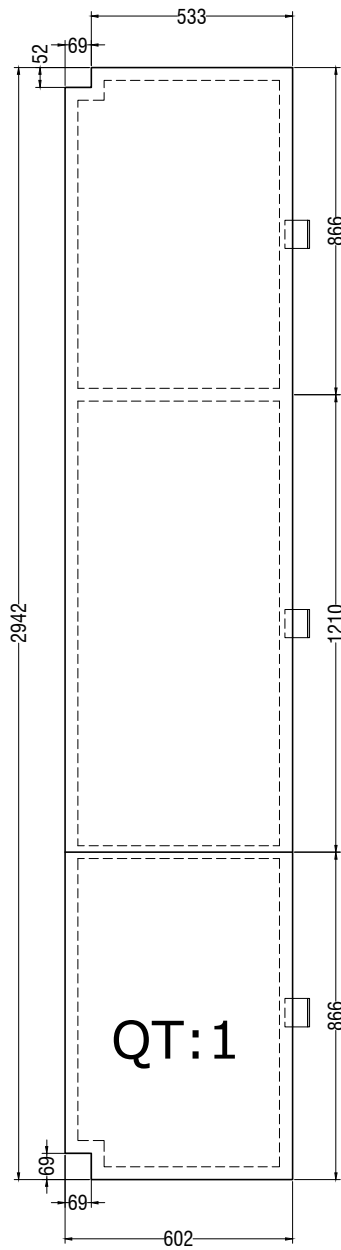
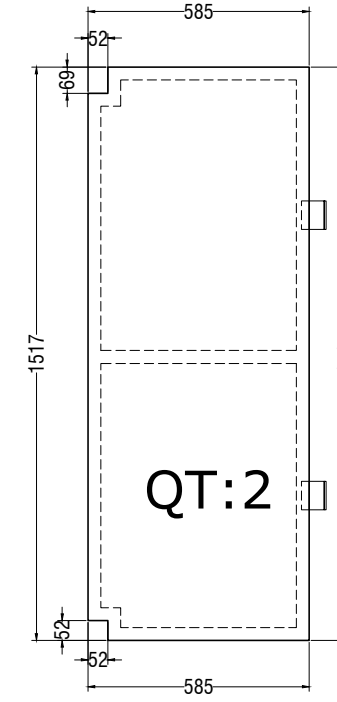
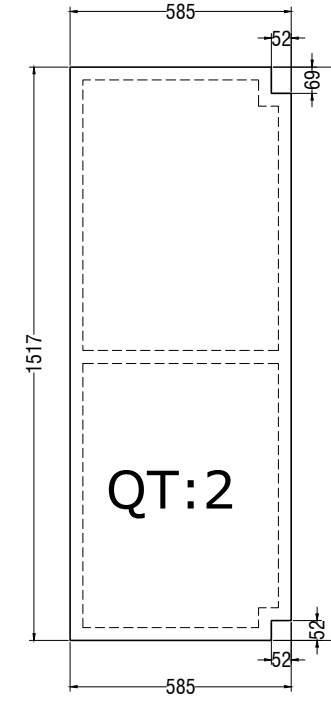
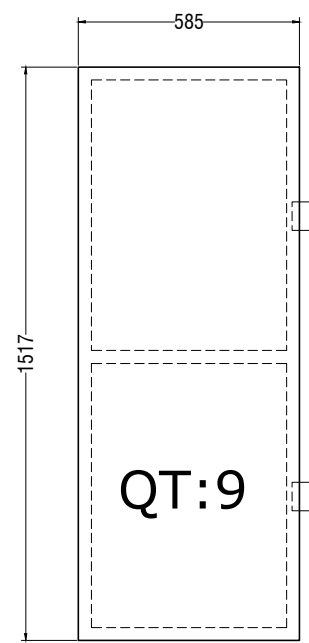
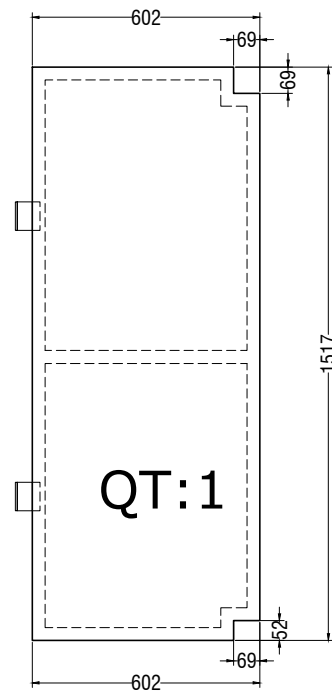
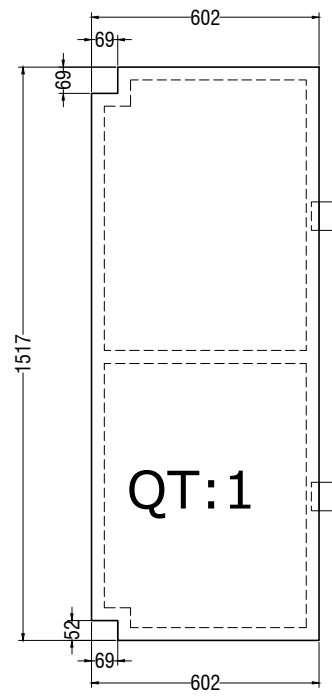
**FLOOR DECKING INTERLOCKING PANELS (LEVEL 01)**

1:50



**GENERAL NOTES**  
 ALL DIMENSIONS ARE IN MM. UNLESS OTHERWISE SPECIFIED  
 DO NOT SCALE DRAWINGS. USE WRITTEN DIMENSIONS ONLY. IN CASE OF DOUBT, PLEASE ASK CONTRACTOR TO VERIFY ALL DIMENSIONS OF EXISTING WORKS ON SITE BEFORE COMMENCING ANY WORK OR PREPARING SHOP DRAWINGS

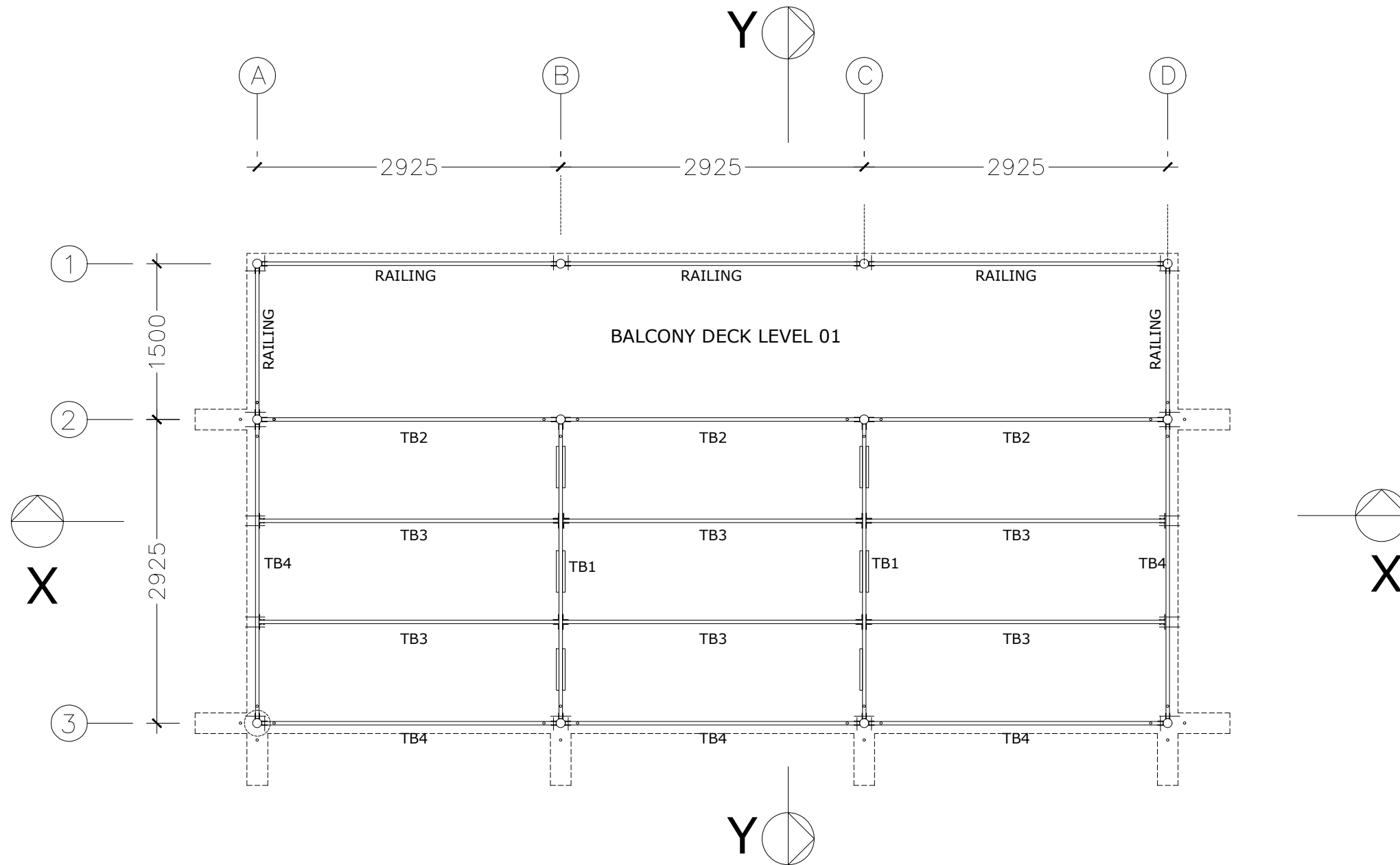
REVISION	DATE:
	-
DESCRIPTION <b>FLOOR DECKING PANELS (LEVEL 01)</b>	
CLIENT <b>MALDIVES SURFING ASSOCIATION</b>	
PROJECT NAME PREFAB 2 STOREY STEEL STRUCTURE	
STAGE <b>FOR CONSTRUCTION</b>	
DRAWING TITLE <b>AS GIVEN</b>	SCALE AS GIVEN
DISCIPLINE <b>STRUCTURAL</b>	DRAWN BY <b>NIFAU</b>
	DESIGNED BY <b>NIFAU</b>
	CHECKED BY -
SHEET SIZE <b>A3</b>	DRAWING NUMBER <b>S-04</b>
DATE <b>APRIL 09, 2023</b>	REVISION



1:20

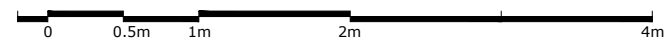
**GENERAL NOTES**  
ALL DIMENSIONS ARE IN MM. UNLESS OTHERWISE SPECIFIED  
DO NOT SCALE DRAWINGS. USE WRITTEN DIMENSIONS ONLY. IN CASE DOUBT, PLEASE ASK CONTRACTOR TO VERIFY ALL DIMENSIONS OF EXISTING WORKS ON SITE BEFORE COMMENCING ANY WORK OR PREPARING SHOP DRAWINGS

REVISION	DATE:
-	
DESCRIPTION <b>FLOOR DECKING PANELS (LEVEL 01)</b>	
CLIENT <b>MALDIVES SURFING ASSOCIATION</b>	
PROJECT NAME PREFAB 2 STOREY STEEL STRUCTURE	
STAGE <b>FOR CONSTRUCTION</b>	
DRAWING TITLE <b>AS GIVEN</b>	SCALE AS GIVEN
DISCIPLINE <b>STRUCTURAL</b>	DRAWN BY <b>NIFAU</b>
	DESIGNED BY <b>NIFAU</b>
	CHECKED BY -
SHEET SIZE <b>A3</b>	DRAWING NUMBER <b>S-05</b>
DATE <b>APRIL 09, 2023</b>	REVISION



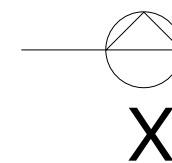
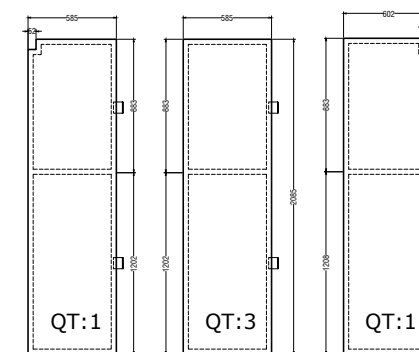
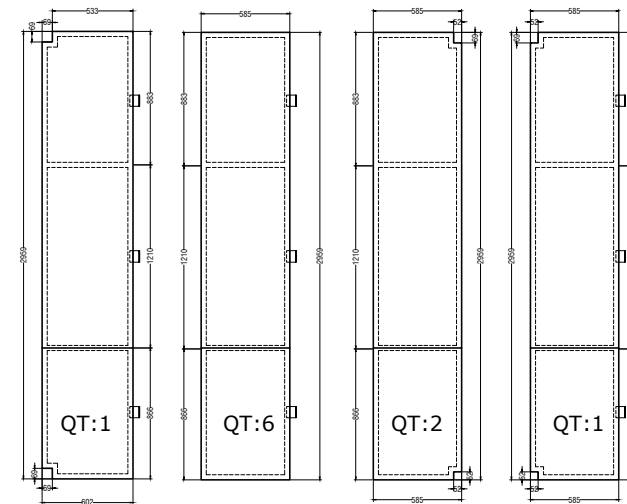
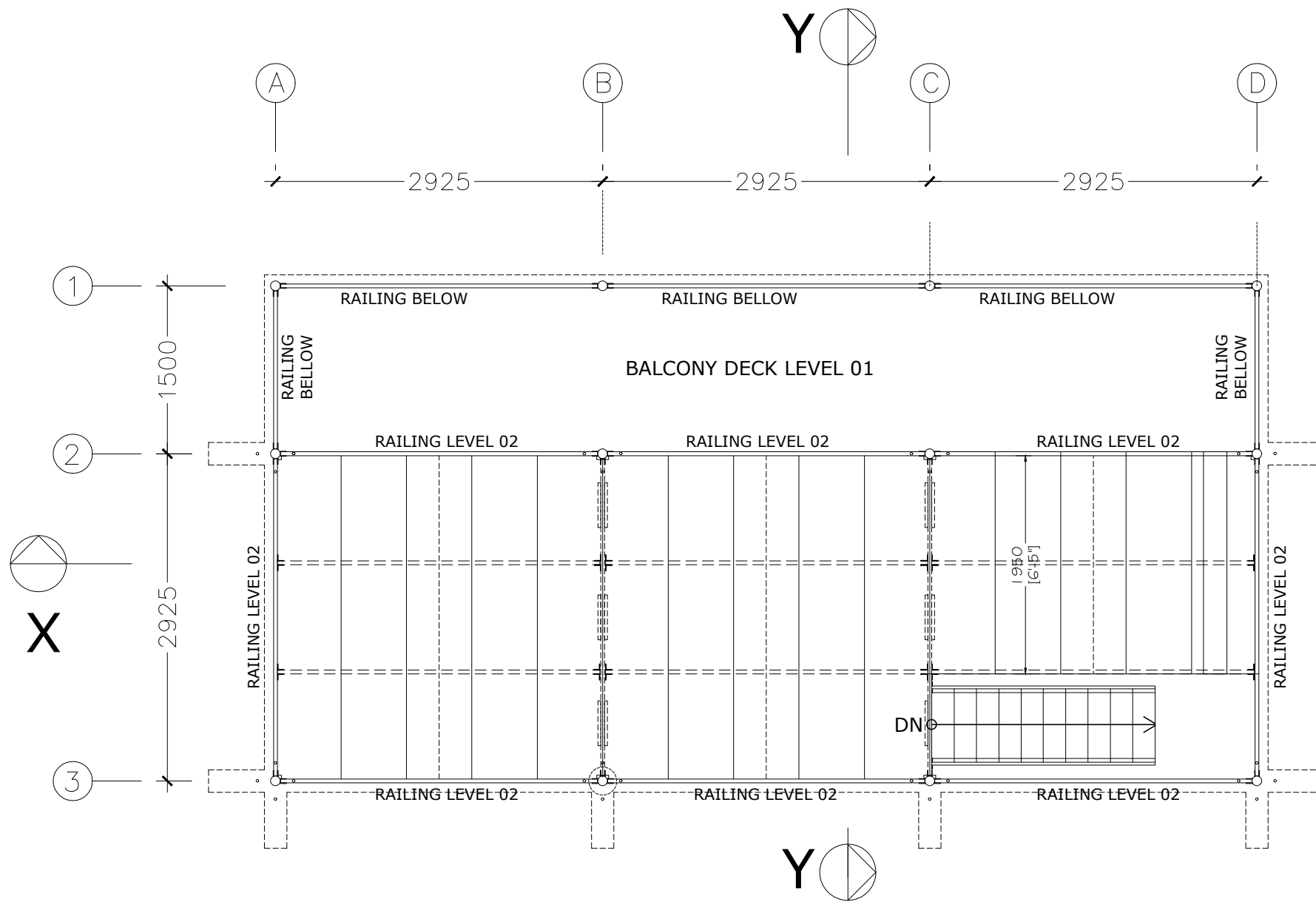
**FLOOR JOIST PLAN (LEVEL 02)**

1:50



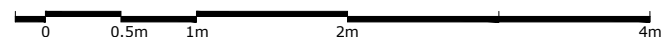
**GENERAL NOTES**  
 ALL DIMENSIONS ARE IN MM. UNLESS OTHERWISE SPECIFIED  
 DO NOT SCALE DRAWINGS. USE WRITTEN DIMENSIONS ONLY. IN CASE DOUBT, PLEASE ASK CONTRACTOR TO VERIFY ALL DIMENSIONS OF EXISTING WORKS ON SITE BEFORE COMMENCING ANY WORK OR PREPARING SHOP DRAWINGS

REVISION	DATE:
	-
DESCRIPTION <b>FLOOR JOIST PLAN LEVEL 02</b>	
CLIENT <b>MALDIVES SURFING ASSOCIATION</b>	
PROJECT NAME OFFSHORE CONCRETE PLATFORM	
STAGE <b>FOR CONSTRUCTION</b>	
DRAWING TITLE <b>AS GIVEN</b>	SCALE AS GIVEN
DISCIPLINE <b>STRUCTURAL</b>	DRAWN BY <b>NIFAU</b>
	DESIGNED BY <b>NIFAU</b>
	CHECKED BY -
SHEET SIZE <b>A3</b>	DRAWING NUMBER <b>S-06</b>
DATE <b>APRIL 09, 2023</b>	REVISION



**FLOOR DECKING INTERLOCKING PANELS (LEVEL 02)**

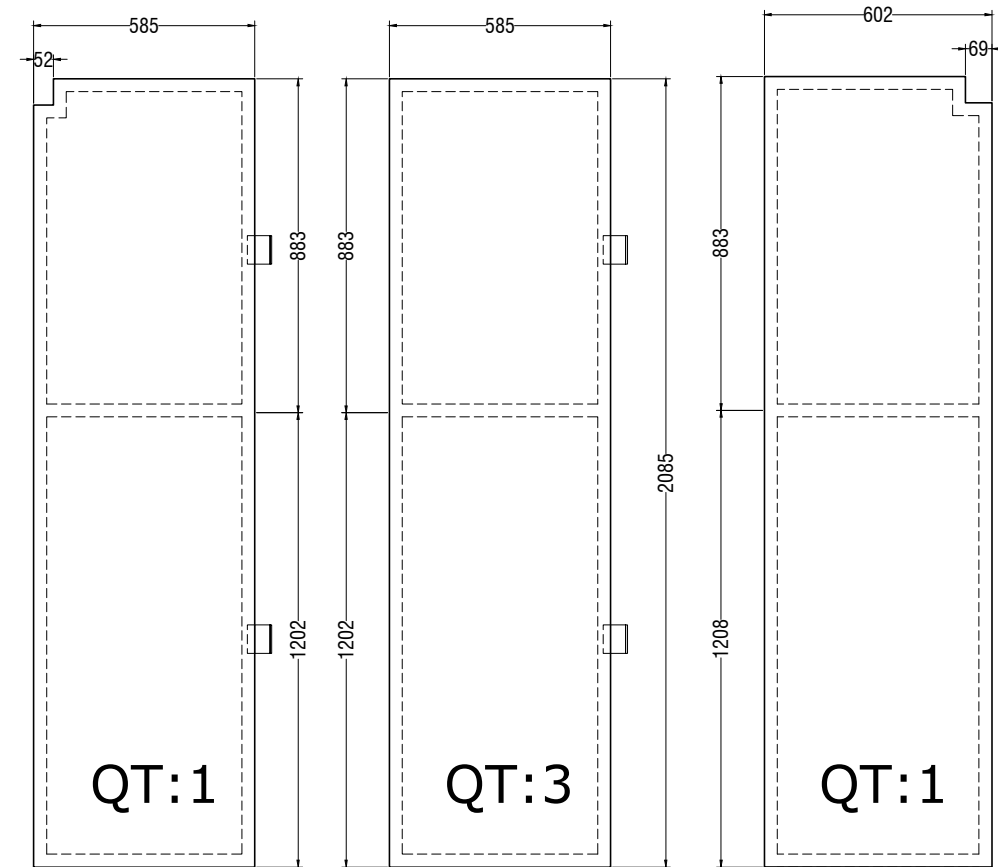
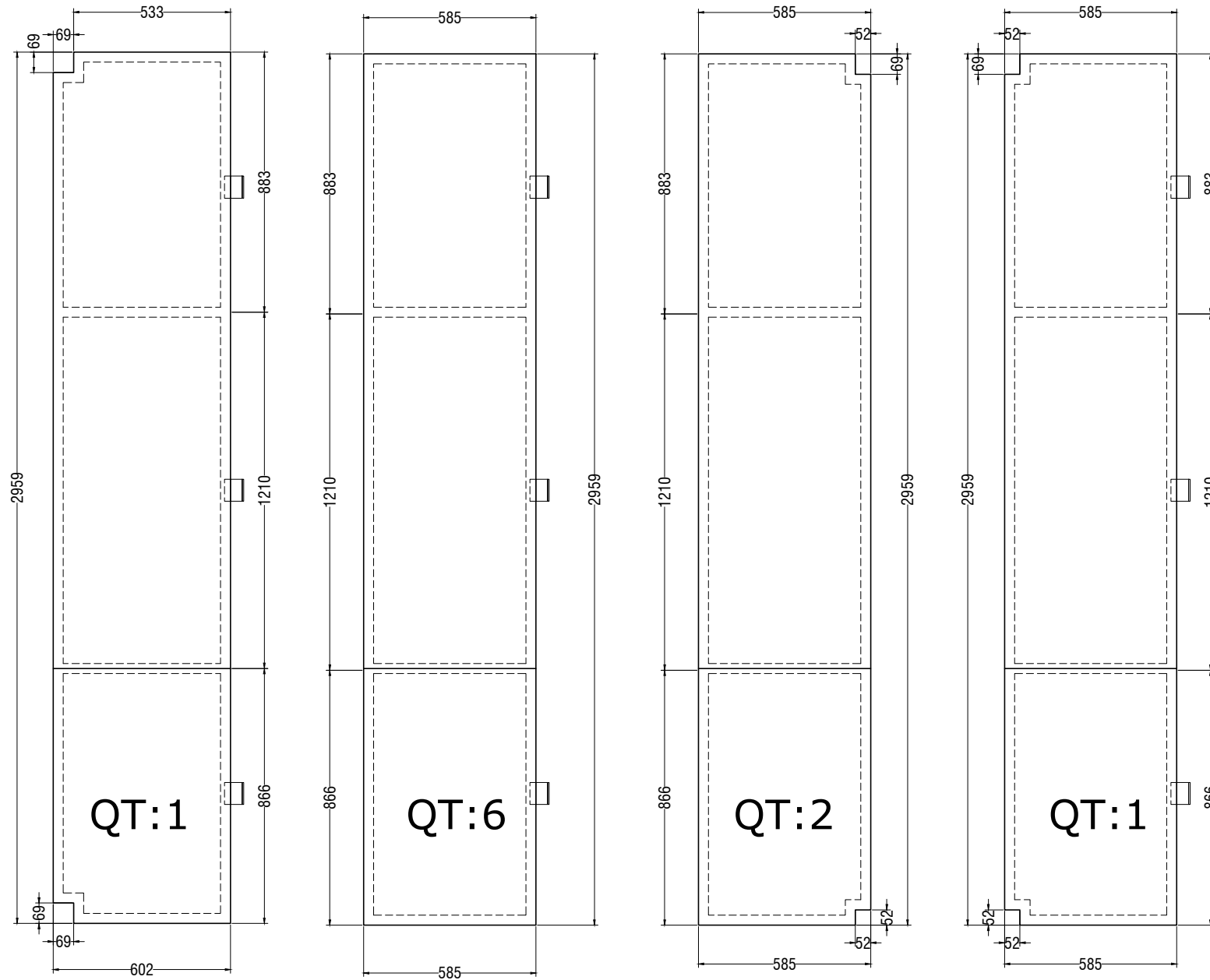
1:50



**GENERAL NOTES**

ALL DIMENSIONS ARE IN MM. UNLESS OTHERWISE SPECIFIED  
DO NOT SCALE DRAWINGS. USE WRITTEN DIMENSIONS ONLY. IN CASE DOUBT, PLEASE ASK CONTRACTOR TO VERIFY ALL DIMENSIONS OF EXISTING WORKS ON SITE BEFORE COMMENCING ANY WORK OR PREPARING SHOP DRAWINGS

REVISION	DATE:
	-
DESCRIPTION <b>FLOOR DECKING PANELS (LEVEL 02)</b>	
CLIENT <b>MALDIVES SURFING ASSOCIATION</b>	
PROJECT NAME OFFSHORE CONCRETE PLATFORM	
STAGE <b>FOR CONSTRUCTION</b>	
DRAWING TITLE <b>AS GIVEN</b>	SCALE AS GIVEN
DISCIPLINE <b>STRUCTURAL</b>	DRAWN BY <b>NIFAU</b>
	DESIGNED BY <b>KINAAATH</b>
	CHECKED BY -
SHEET SIZE <b>A3</b>	DRAWING NUMBER <b>S-7</b>
DATE <b>APRIL 09, 2023</b>	REVISION

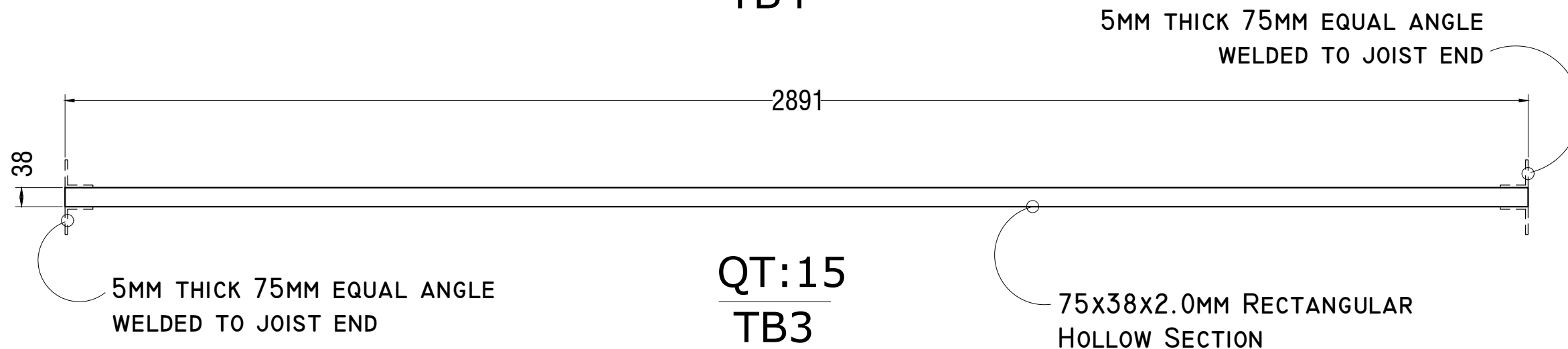
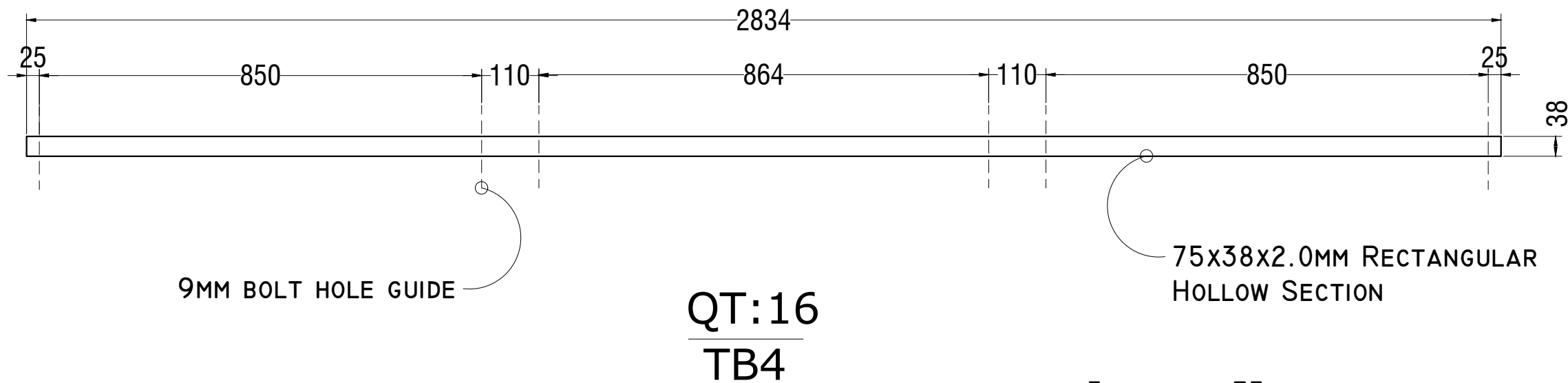
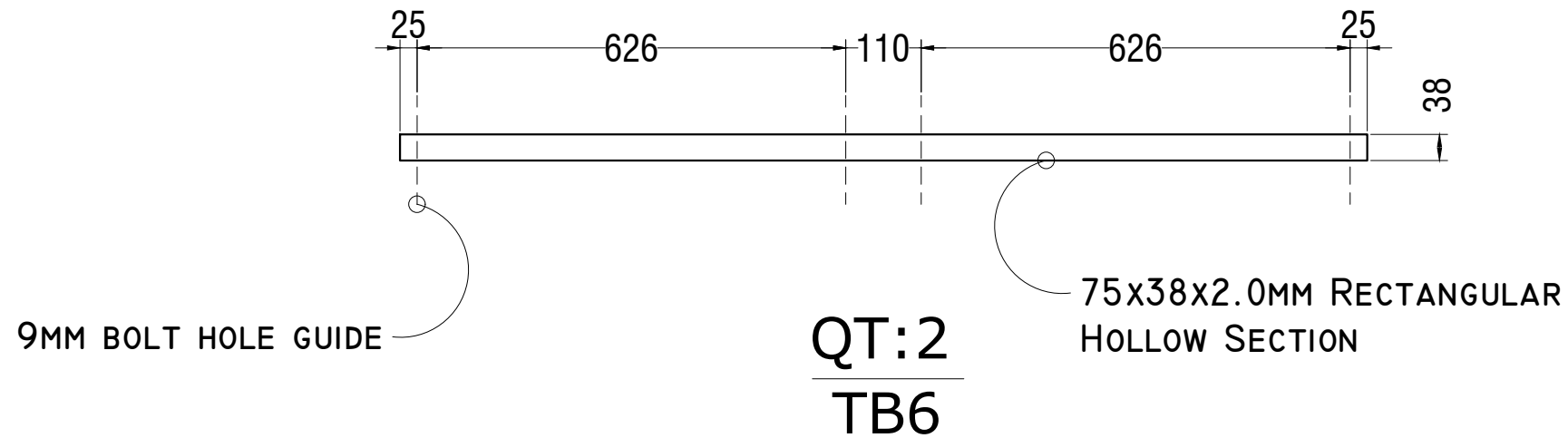


1:20

**GENERAL NOTES**  
 ALL DIMENSIONS ARE IN MM. UNLESS OTHERWISE SPECIFIED  
 DO NOT SCALE DRAWINGS. USE WRITTEN DIMENSIONS ONLY. IN CASE OF DOUBT, PLEASE ASK CONTRACTOR TO VERIFY ALL DIMENSIONS OF EXISTING WORKS ON SITE BEFORE COMMENCING ANY WORK OR PREPARING SHOP DRAWINGS

REVISION	DATE:
	-
DESCRIPTION <b>FLOOR DECKING PANELS (LEVEL 02)</b>	
CLIENT <b>MALDIVES SURFING ASSOCIATION</b>	
PROJECT NAME PREFAB 2 STOREY STEEL STRUCTURE	
STAGE <b>FOR CONSTRUCTION</b>	
DRAWING TITLE <b>AS GIVEN</b>	SCALE AS GIVEN
DISCIPLINE <b>STRUCTURAL</b>	DRAWN BY <b>NIFAU</b>
	DESIGNED BY <b>NIFAU</b>
	CHECKED BY -
SHEET SIZE <b>A3</b>	DRAWING NUMBER <b>S-08</b>
DATE <b>APRIL 09, 2023</b>	REVISION





# FLOOR JOIST & BEAMS (DIMENSIONS 01)

1:10

**GENERAL NOTES**  
ALL DIMENSIONS ARE IN MM. UNLESS OTHERWISE SPECIFIED  
DO NOT SCALE DRAWINGS. USE WRITTEN DIMENSIONS ONLY. IN CASE OF DOUBT, PLEASE ASK CONTRACTOR TO VERIFY ALL DIMENSIONS OF EXISTING WORKS ON SITE BEFORE COMMENCING ANY WORK OR PREPARING SHOP DRAWINGS

REVISION      DATE:  
-                      -

DESCRIPTION  
**FLOOR JOISTS & BEAMS (DIMENSIONS 01)**

CLIENT  
**MALDIVES SURFING ASSOCIATION**  
PROJECT NAME  
PREFAB 2 STOREY STEEL STRUCTURE

STAGE  
**FOR CONSTRUCTION**

DRAWING TITLE      SCALE  
**AS GIVEN**              **AS GIVEN**

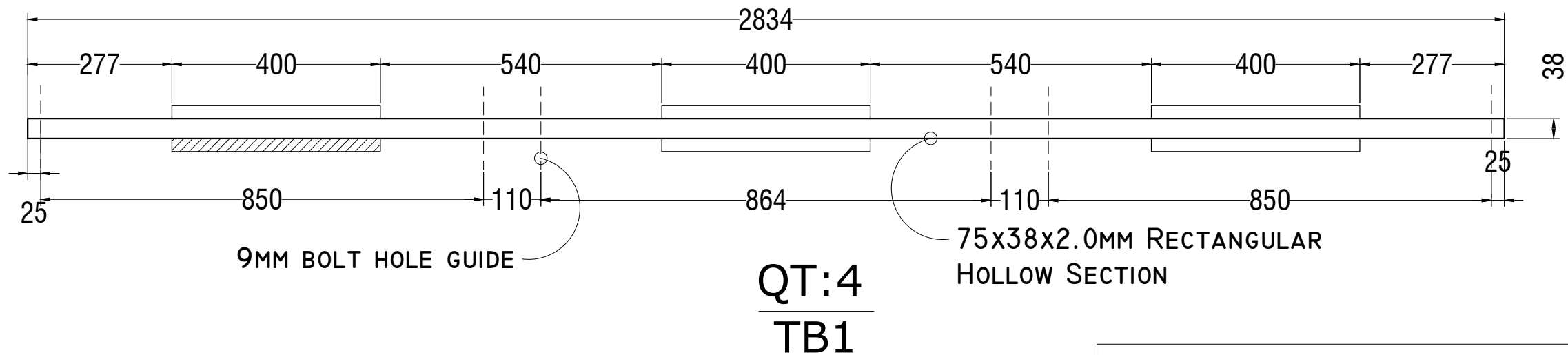
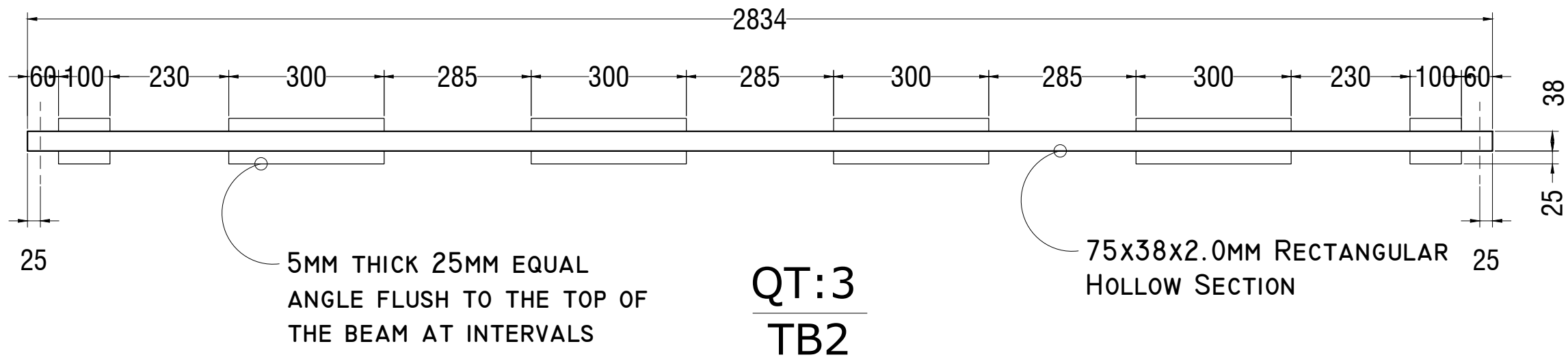
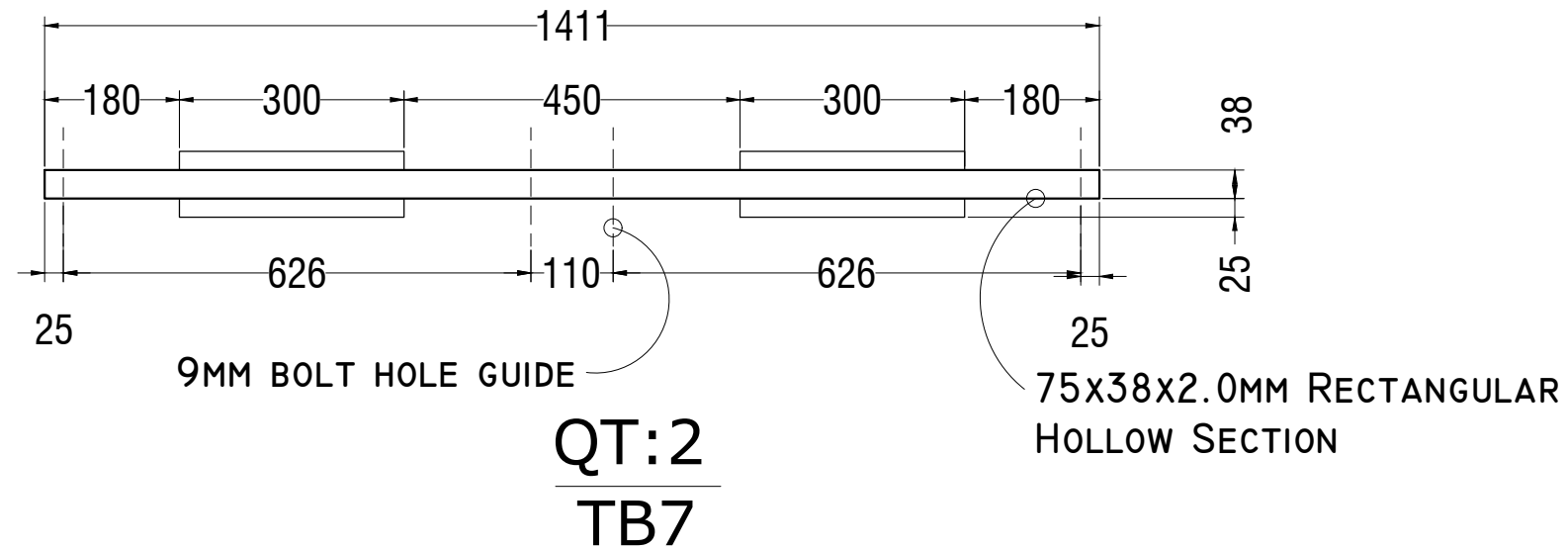
DISCIPLINE              DRAWN BY  
**STRUCTURAL**              **NIFAU**

DESIGNED BY  
**NIFAU**

CHECKED BY  
-

SHEET SIZE              DRAWING NUMBER  
**A3**                      **S-09**

DATE                      REVISION  
**APRIL 09, 2023**              -



## FLOOR JOIST & BEAMS (DIMENSIONS 02)

1:10

note:  
From TB1 out of 4 one without the HATCHED angle plate.

**GENERAL NOTES**  
ALL DIMENSIONS ARE IN MM. UNLESS OTHERWISE SPECIFIED  
DO NOT SCALE DRAWINGS, USE WRITTEN DIMENSIONS ONLY. IN CASE OF DOUBT, PLEASE ASK CONTRACTOR TO VERIFY ALL DIMENSIONS OF EXISTING WORKS ON SITE BEFORE COMMENCING ANY WORK OR PREPARING SHOP DRAWINGS

REVISION DATE:

DESCRIPTION  
**FLOOR JOISTS & BEAMS (DIMENSIONS 01)**

CLIENT  
**MALDIVES SURFING ASSOCIATION**  
PROJECT NAME  
PREFAB 2 STOREY STEEL STRUCTURE

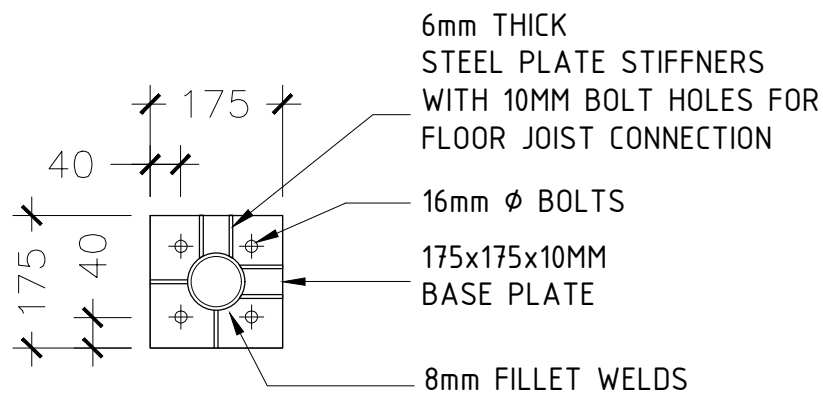
STAGE  
**FOR CONSTRUCTION**

DRAWING TITLE  
**AS GIVEN** SCALE  
AS GIVEN

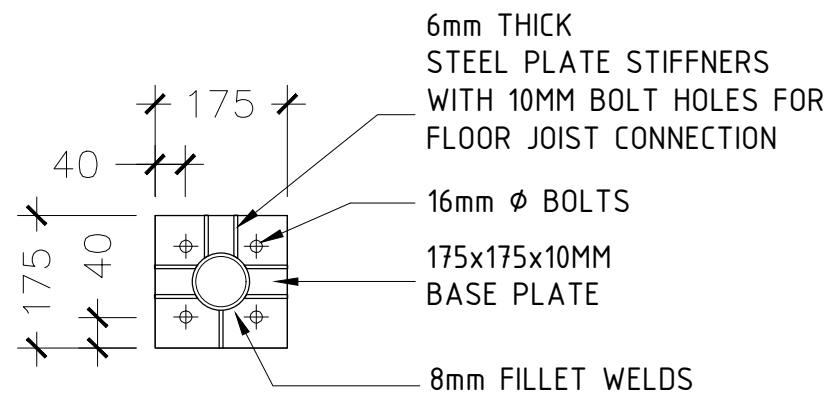
DISCIPLINE  
**STRUCTURAL** DRAWN BY  
**NIFAU**  
DESIGNED BY  
**NIFAU**  
CHECKED BY  
-

SHEET SIZE  
**A3** DRAWING NUMBER  
**S-10**

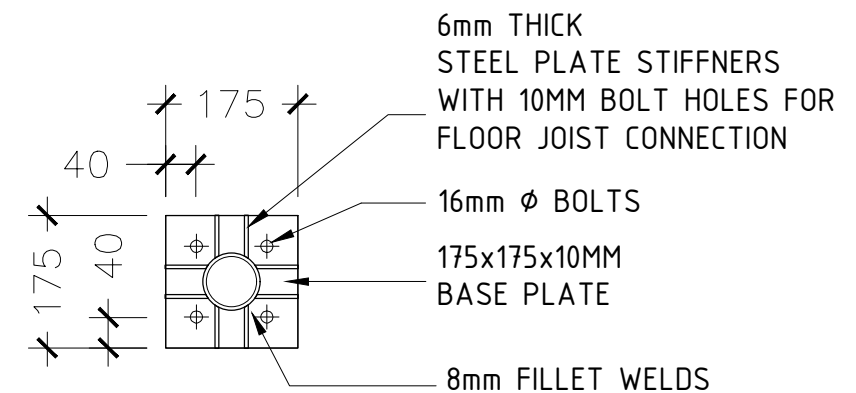
DATE  
**APRIL 09, 2023** REVISION



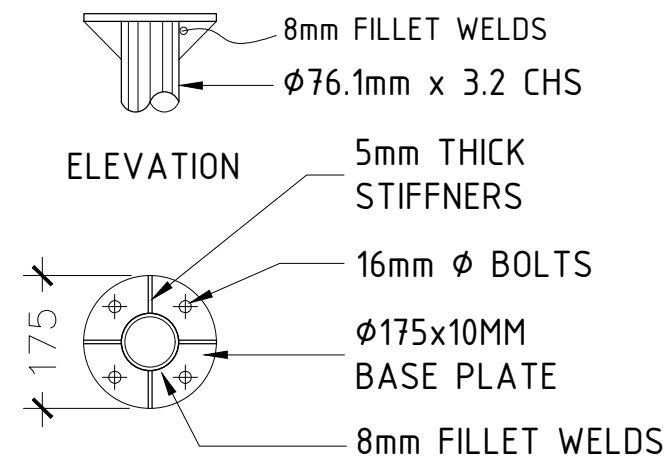
BASE PLATE - PLAN  
(COLUMN - C1)



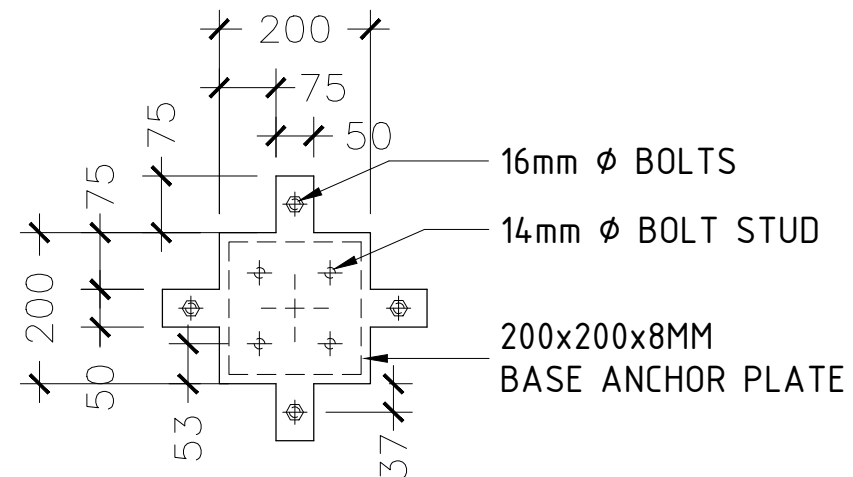
BASE PLATE - PLAN  
(COLUMN - C2)



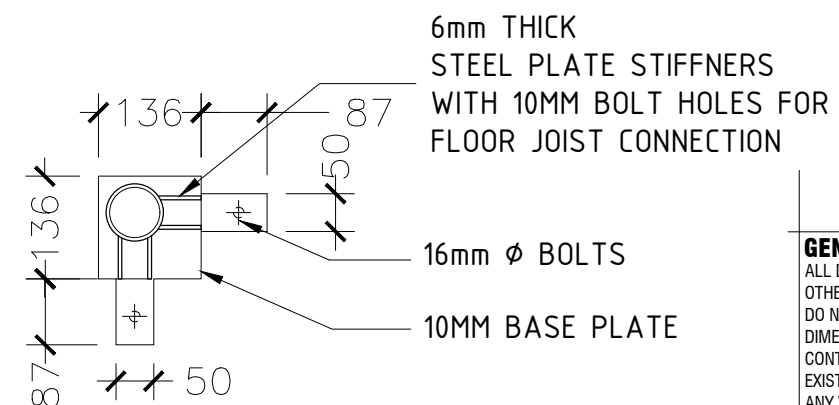
BASE PLATE - PLAN  
(COLUMN - C3)



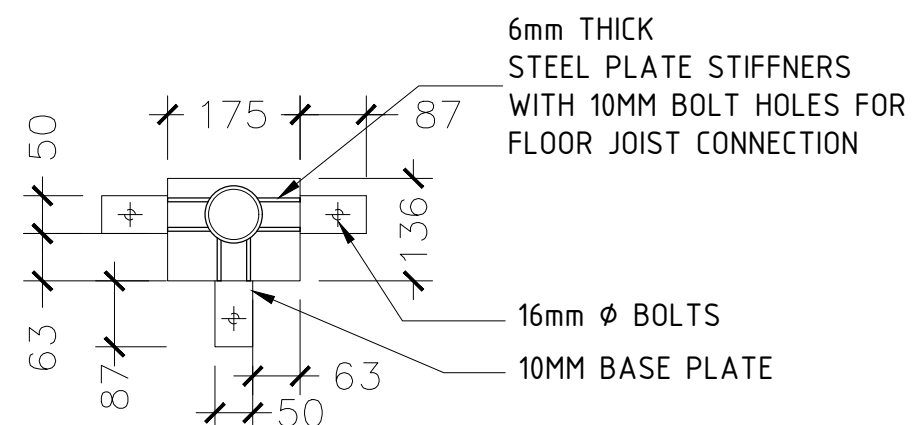
COLUMN TO COLUMN CONNECTION  
TOP PLATE - PLAN  
(COLUMN - C1 TO C3 (LEVEL 01))



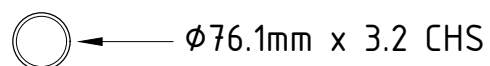
COLUMN ANCHOR REMOVABLE  
BASE PLATE - PLAN



BASE PLATE - PLAN  
(RAIL POST - RP1)



BASE PLATE - PLAN  
(RAIL POST - RP2)



COLUMN - C1 to C6 & C6a RP1/ RP2  
RAIL POST - RP1/ RP2

# STRUCTURAL DETAILS 01

SCALE 1:10

**GENERAL NOTES**  
ALL DIMENSIONS ARE IN MM. UNLESS OTHERWISE SPECIFIED  
DO NOT SCALE DRAWINGS, USE WRITTEN DIMENSIONS ONLY. IN CASE DOUBT, PLEASE ASK CONTRACTOR TO VERIFY ALL DIMENSIONS OF EXISTING WORKS ON SITE BEFORE COMMENCING ANY WORK OR PREPARING SHOP DRAWINGS

REVISION DATE:

DESCRIPTION  
STRUCTURAL DETAILS 01

CLIENT  
MALDIVES SURFING ASSOCIATION

PROJECT NAME  
PREFAB 2 STOREY STEEL STRUCTURE

STAGE  
FOR CONSTRUCTION

DRAWING TITLE  
AS GIVEN

DISCIPLINE  
STRUCTURAL

SCALE  
AS GIVEN

DRAWN BY  
NIFAU

DESIGNED BY  
NIFAU

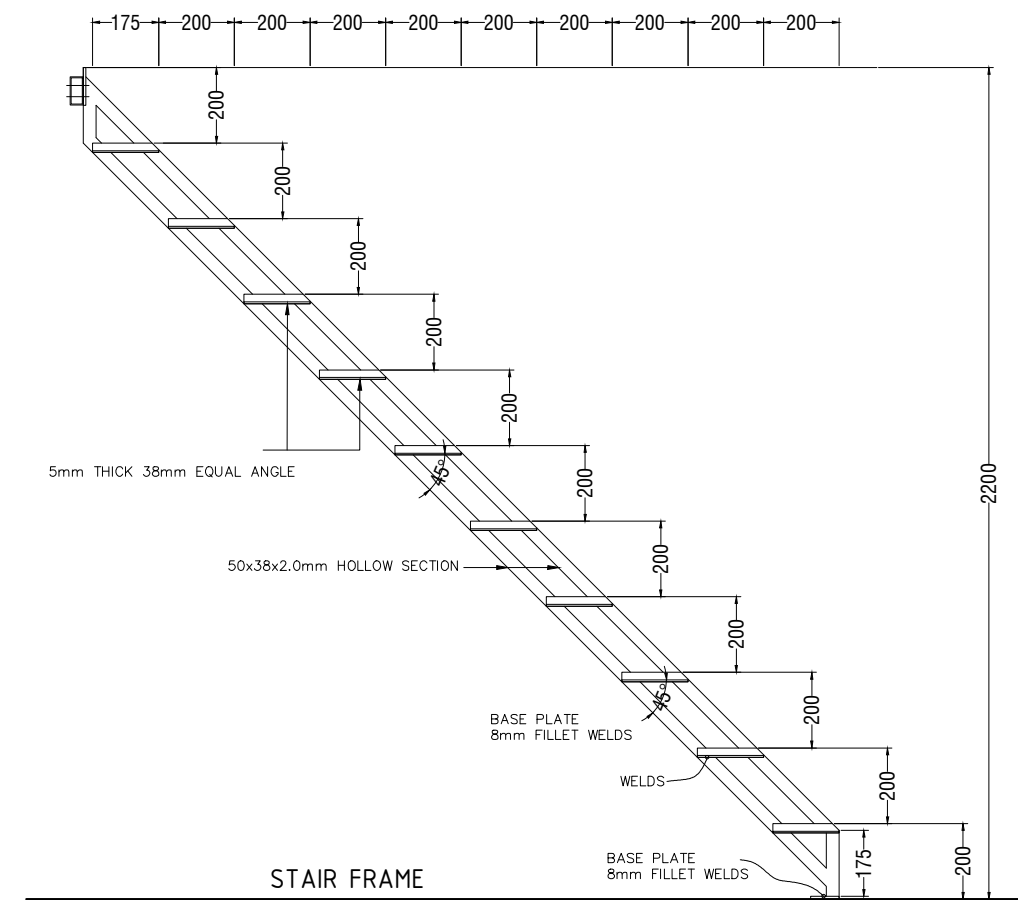
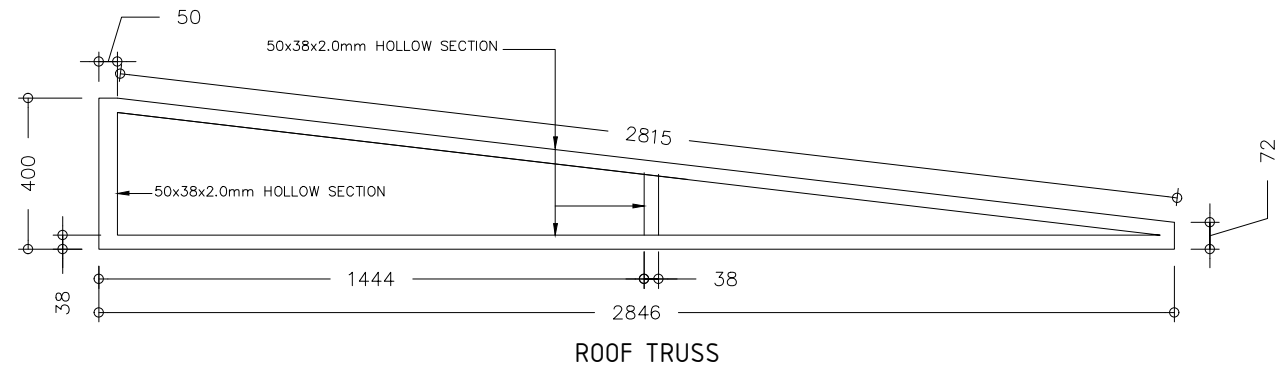
CHECKED BY  
-

SHEET SIZE  
A3

DATE  
APRIL 09, 2023

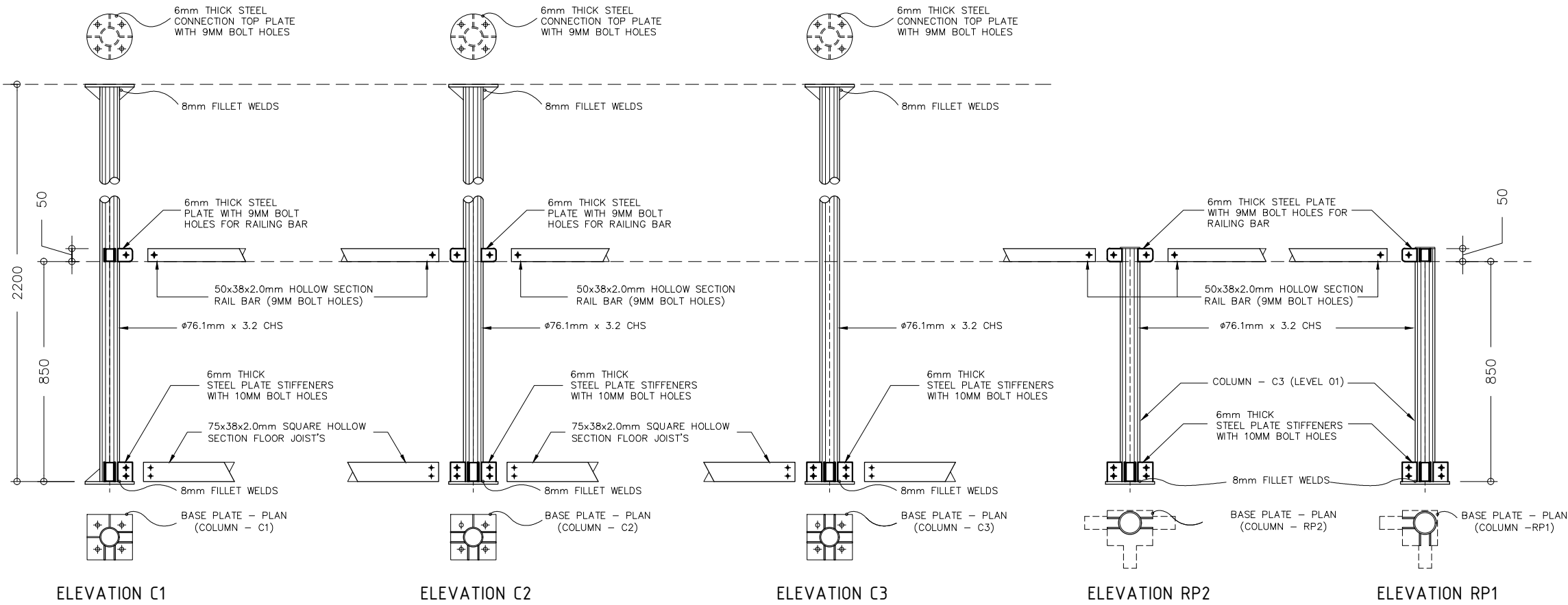
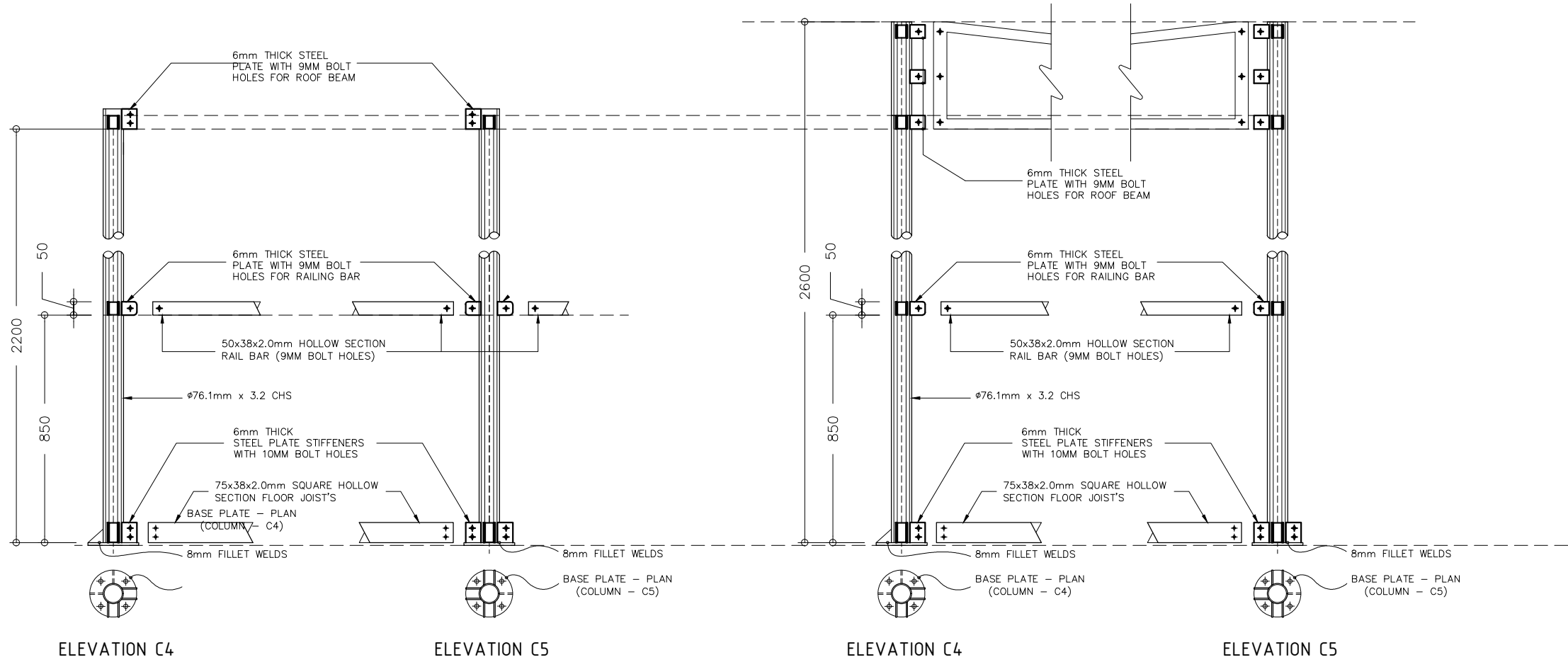
DRAWING NUMBER  
S-11

REVISION



STRUCTURAL DETAILS 01  
SCALE 1:20

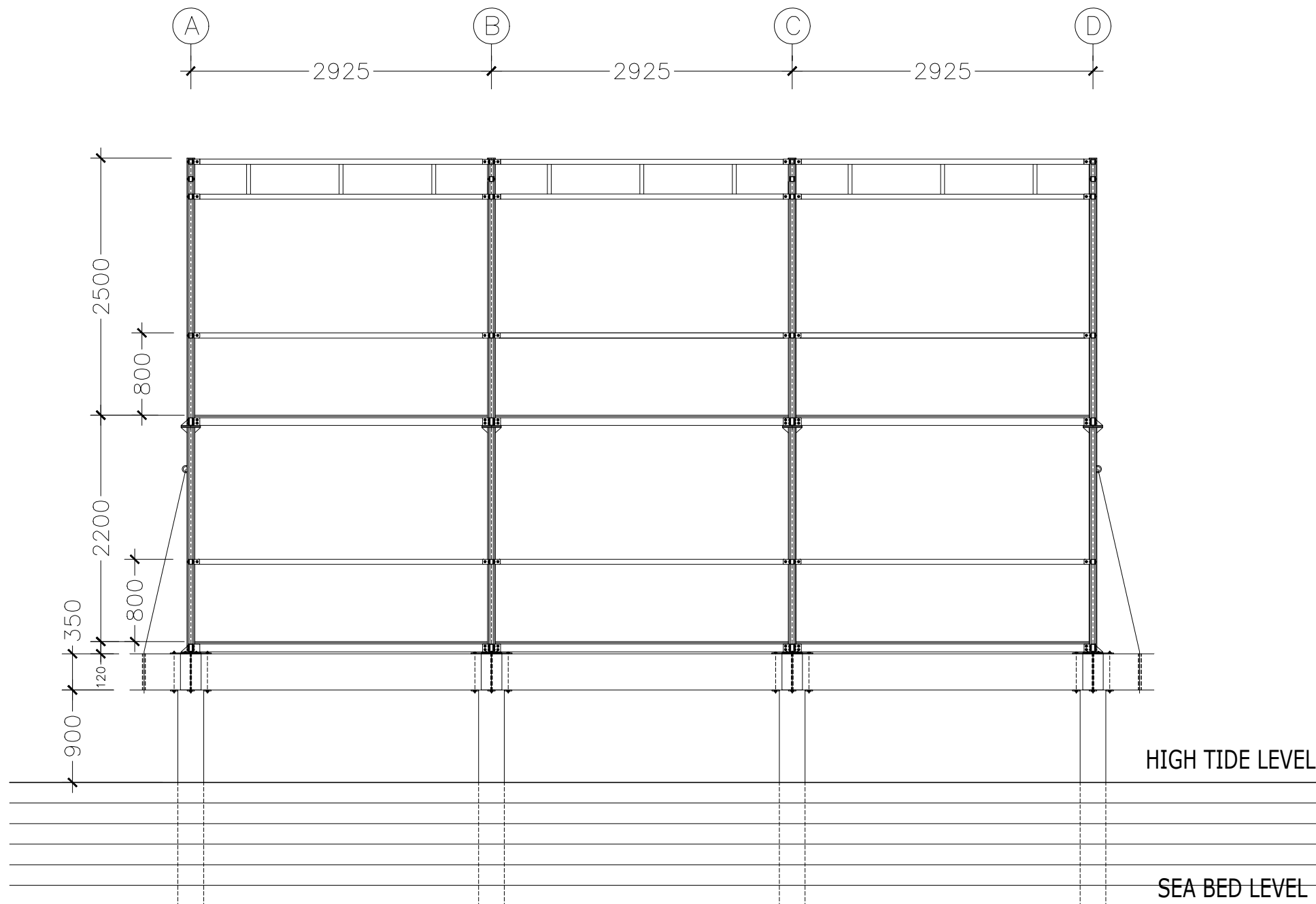
<b>GENERAL NOTES</b> ALL DIMENSIONS ARE IN MM. UNLESS OTHERWISE SPECIFIED DO NOT SCALE DRAWINGS, USE WRITTEN DIMENSIONS ONLY. IN CASE OF DOUBT, PLEASE ASK CONTRACTOR TO VERIFY ALL DIMENSIONS OF EXISTING WORKS ON SITE BEFORE COMMENCING ANY WORK OR PREPARING SHOP DRAWINGS	
REVISION	DATE:
-	
DESCRIPTION STRUCTURAL DETAILS 02	
CLIENT <b>MALDIVES SURFING ASSOCIATION</b>	
PROJECT NAME PREFAB 2 STOREY STEEL STRUCTURE	
STAGE <b>FOR CONSTRUCTION</b>	
DRAWING TITLE <b>AS GIVEN</b>	SCALE AS GIVEN
DISCIPLINE <b>STRUCTURAL</b>	DRAWN BY <b>NIFAU</b>
	DESIGNED BY <b>NIFAU</b>
	CHECKED BY -
SHEET SIZE <b>A3</b>	DRAWING NUMBER <b>S-12</b>
DATE <b>APRIL 09, 2023</b>	REVISION



**STRUCTURAL DETAILS 01**  
SCALE 1:20

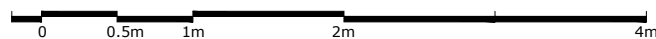
**GENERAL NOTES**  
ALL DIMENSIONS ARE IN MM. UNLESS OTHERWISE SPECIFIED  
DO NOT SCALE DRAWINGS, USE WRITTEN DIMENSIONS ONLY. IN CASE OF DOUBT, PLEASE ASK CONTRACTOR TO VERIFY ALL DIMENSIONS OF EXISTING WORKS ON SITE BEFORE COMMENCING ANY WORK OR PREPARING SHOP DRAWINGS

REVISION	DATE:
	-
DESCRIPTION <b>STRUCTURAL DETAILS 02</b>	
CLIENT <b>MALDIVES SURFING ASSOCIATION</b>	
PROJECT NAME <b>PREFAB 2 STOREY STEEL STRUCTURE</b>	
STAGE <b>FOR CONSTRUCTION</b>	
DRAWING TITLE <b>AS GIVEN</b>	SCALE <b>AS GIVEN</b>
DISCIPLINE <b>STRUCTURAL</b>	DRAWN BY <b>NIFAU</b>
	DESIGNED BY <b>NIFAU</b>
	CHECKED BY <b>-</b>
SHEET SIZE <b>A3</b>	DRAWING NUMBER <b>S-13</b>
DATE <b>APRIL 09, 2023</b>	REVISION



SECTION Y-Y

1:50



**GENERAL NOTES**

ALL DIMENSIONS ARE IN MM. UNLESS OTHERWISE SPECIFIED  
DO NOT SCALE DRAWINGS. USE WRITTEN DIMENSIONS ONLY. IN CASE DOUBT, PLEASE ASK CONTRACTOR TO VERIFY ALL DIMENSIONS OF EXISTING WORKS ON SITE BEFORE COMMENCING ANY WORK OR PREPARING SHOP DRAWINGS

REVISION                      DATE:

-

DESCRIPTION  
**SECTION - ELEVATION**

CLIENT  
**MALDIVES SURFING ASSOCIATION**

PROJECT NAME  
OFFSHORE CONCRETE PLATFORM

STAGE  
**FOR CONSTRUCTION**

DRAWING TITLE                      SCALE  
**AS GIVEN**                      AS GIVEN

DISCIPLINE                      DRAWN BY  
**STRUCTURAL**                      **NIFAU**

DESIGNED BY  
**KINAANATH**

CHECKED BY

-

SHEET SIZE                      DRAWING NUMBER  
**A3**                      **S-14**

DATE                      REVISION  
**APRIL 09, 2023**

