

PROPOSED CANOPY SHADE AT
R E H E N D H I S C H O O L

ARCHITECTURAL & STRUCTURAL DRAWINGS

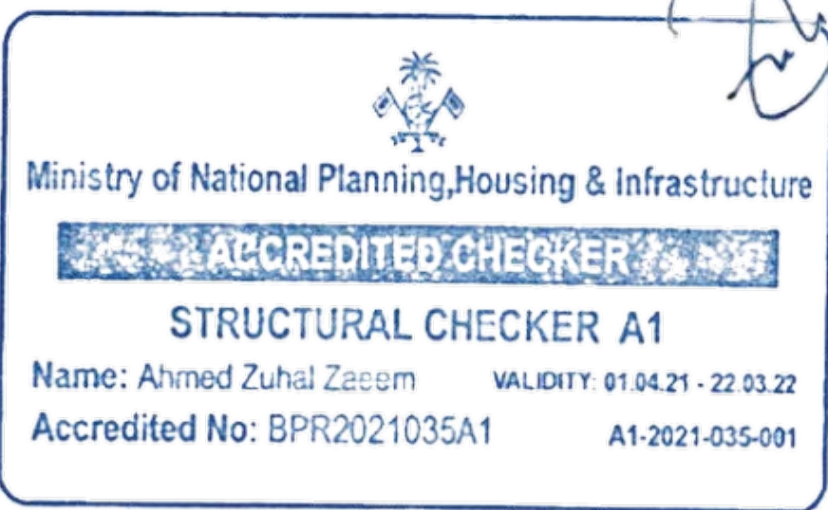
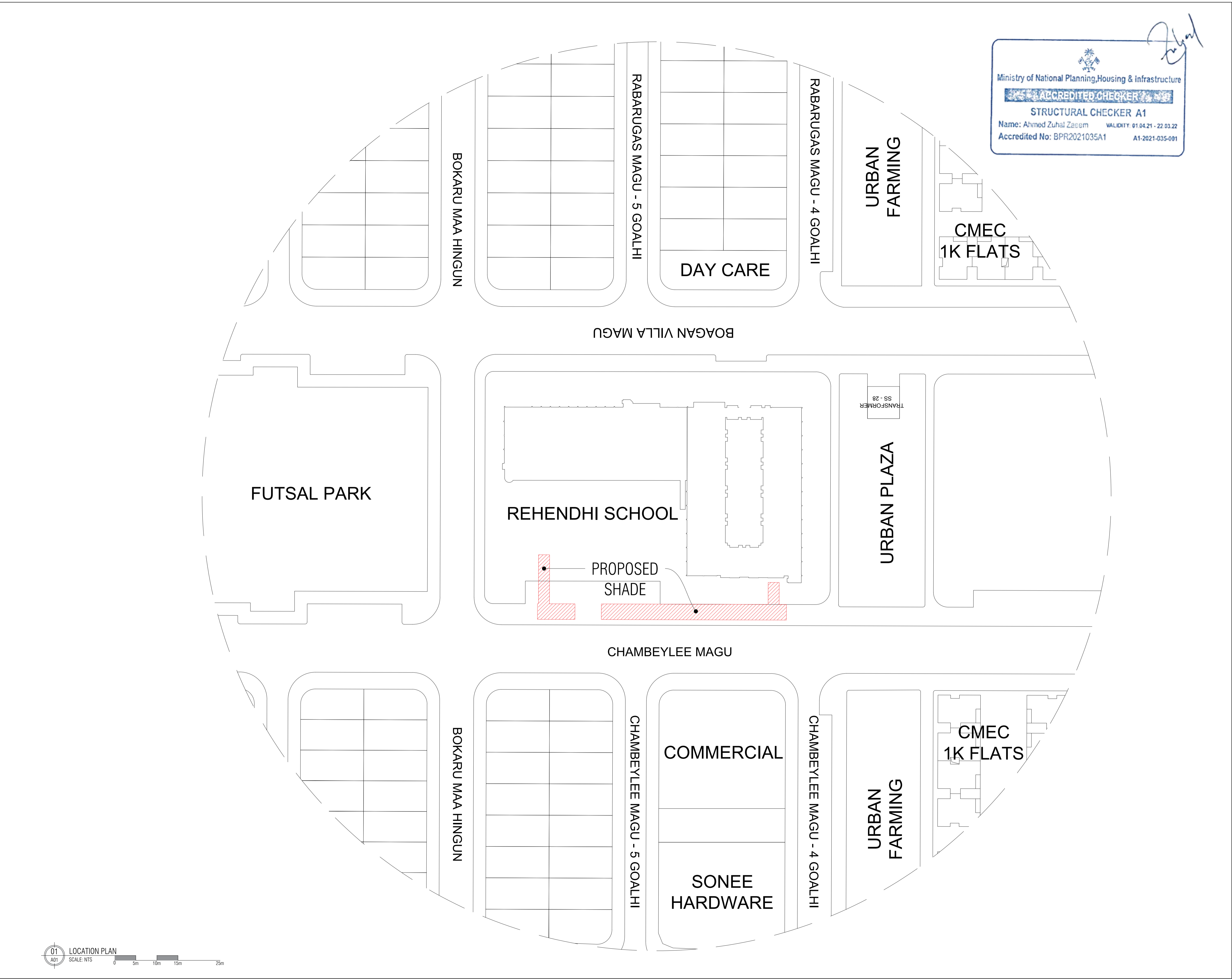
CLIENT: RPTA

APR 2023



Associates Architects

S M A S S O C I A T E S A R C H I T E C T S
R I H I K U R I (1 S T F L O O R) , N I R O L H U M A G U
N E I G H B O R H O O D 1 , H U L H U M A L E '
T E L : (9 6 0) 7 8 2 6 2 6 0 , (9 6 0) 7 9 7 7 1 1 9
E M A I L : I N F O @ S M C O L L E C T I V E S . N E T



Associates Architects

RIHIKURI (1ST FLOOR), NIROLHU MAGU
 NEIGHBORHOOD 1, HULHUMALE'
 TEL: (960) 7826260, (960)7977119
 EMAIL: INFO@SMCOLLECTIVES.NET

NOTES:

NO.	DESCRIPTION	DATE
REV A0	ISSUED FOR APPROVAL	06-JAN-23
REV A1	ISSUED FOR APPROVAL	18-APR-23

CANOPY SHADE

PROPOSED CAOPY SHADE AT REHENDHI
 SCHOOL FRONT

Client: RPTA

Architect: -

Drafting: -

Engineer: FAZEEN

Structural Checker: ZUHAL

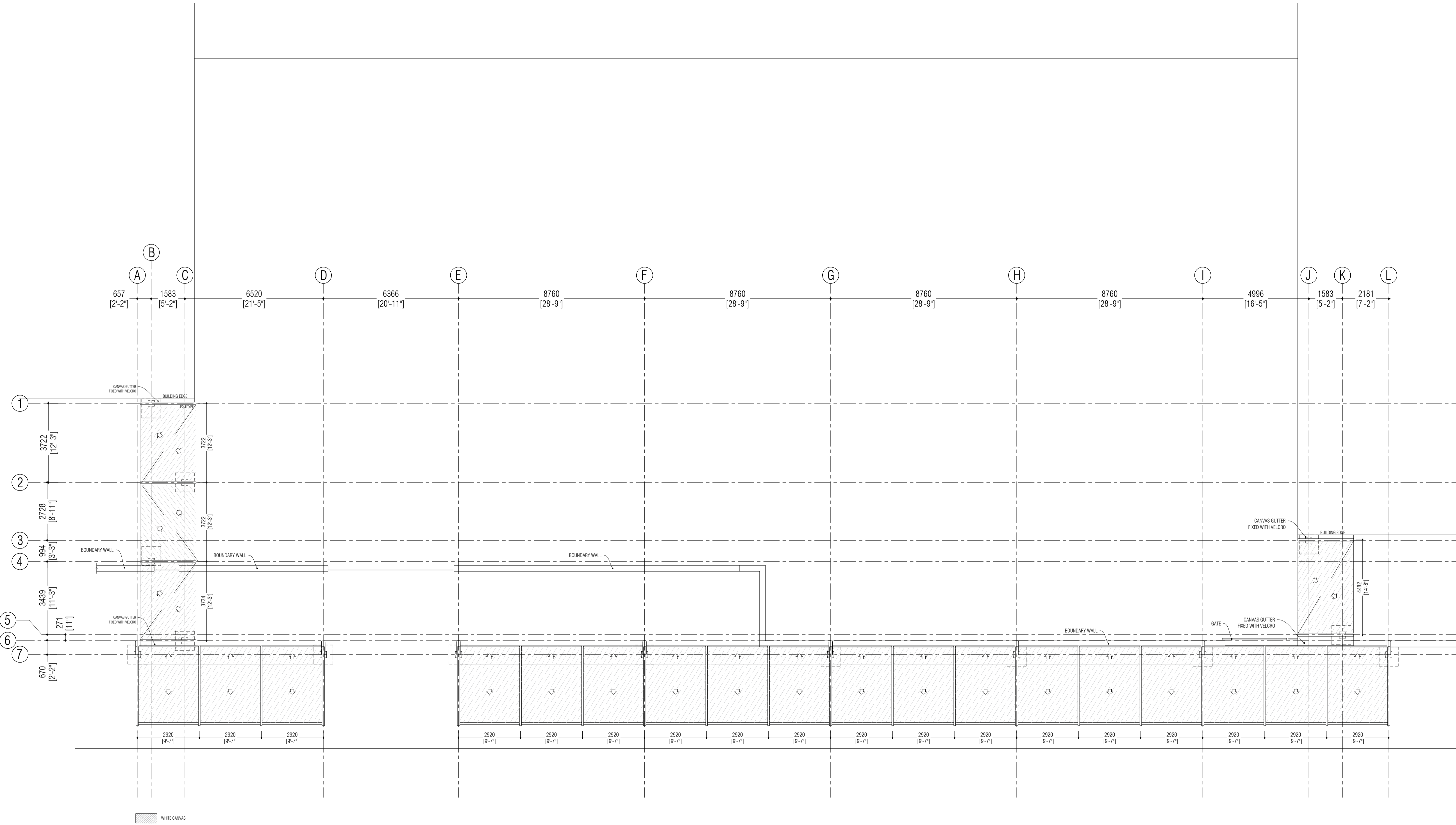
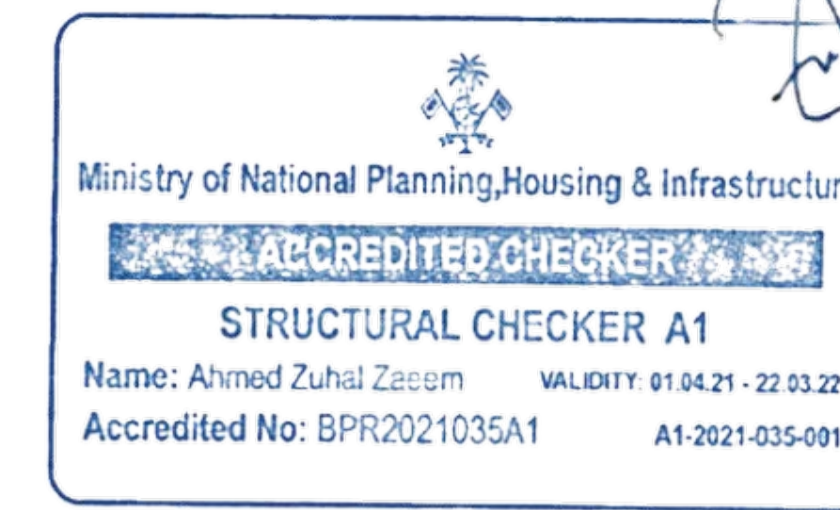
Architectural Checker: -

Drawing Title: AS SHOWN

Issue: IFR Date: APR 2023 Pages: 06

Scale: 1:419.1349 Paper: A1

Dwg #: A2318-A01- REV[A1]



01 GENERAL LAYOUT
SCALE 1:100



Associates Architects

RIHIKURI (1ST FLOOR), NIROLHU MAGU
NEIGHBORHOOD 1, HULHUMALE'
TEL: (960) 7826260, (960) 7977119
EMAIL: INFO@SMCOLLECTIVES.NET

NOTES:

NO.	DESCRIPTION	DATE
REV A0	ISSUED FOR APPROVAL	06- JAN -23
REV A1	ISSUED FOR APPROVAL	18- APR -23

CANOPY SHADE

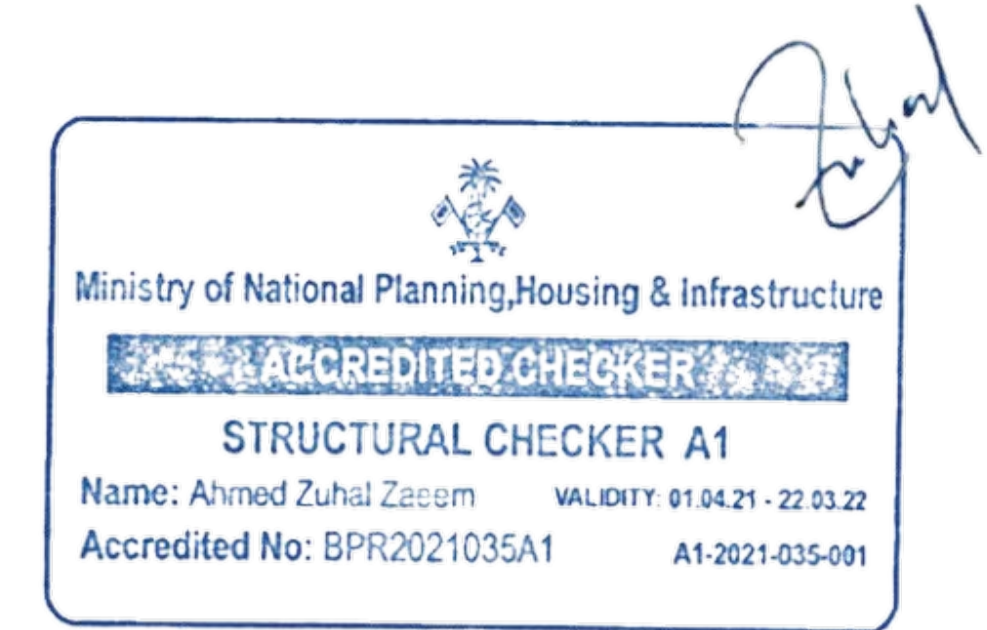
PROPOSED CAOPY SHADE AT REHENDHI
SCHOOL FRONT

Client: RPTA

Architect: -
Drafting: -
Engineer: FAZEEN
Structural Checker: ZUHAL
Architectural Checker: -

Drawing Title: AS SHOWN

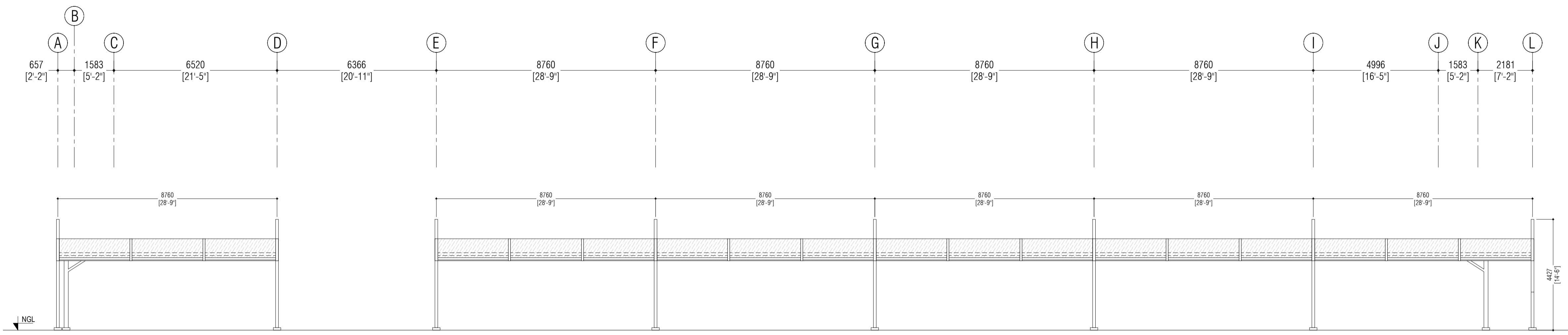
Issue: IFR Date: APR 2023 Pages: 06
Scale: 1:100 Paper: A1
Dwg #: A2318-A02- REV[A1]



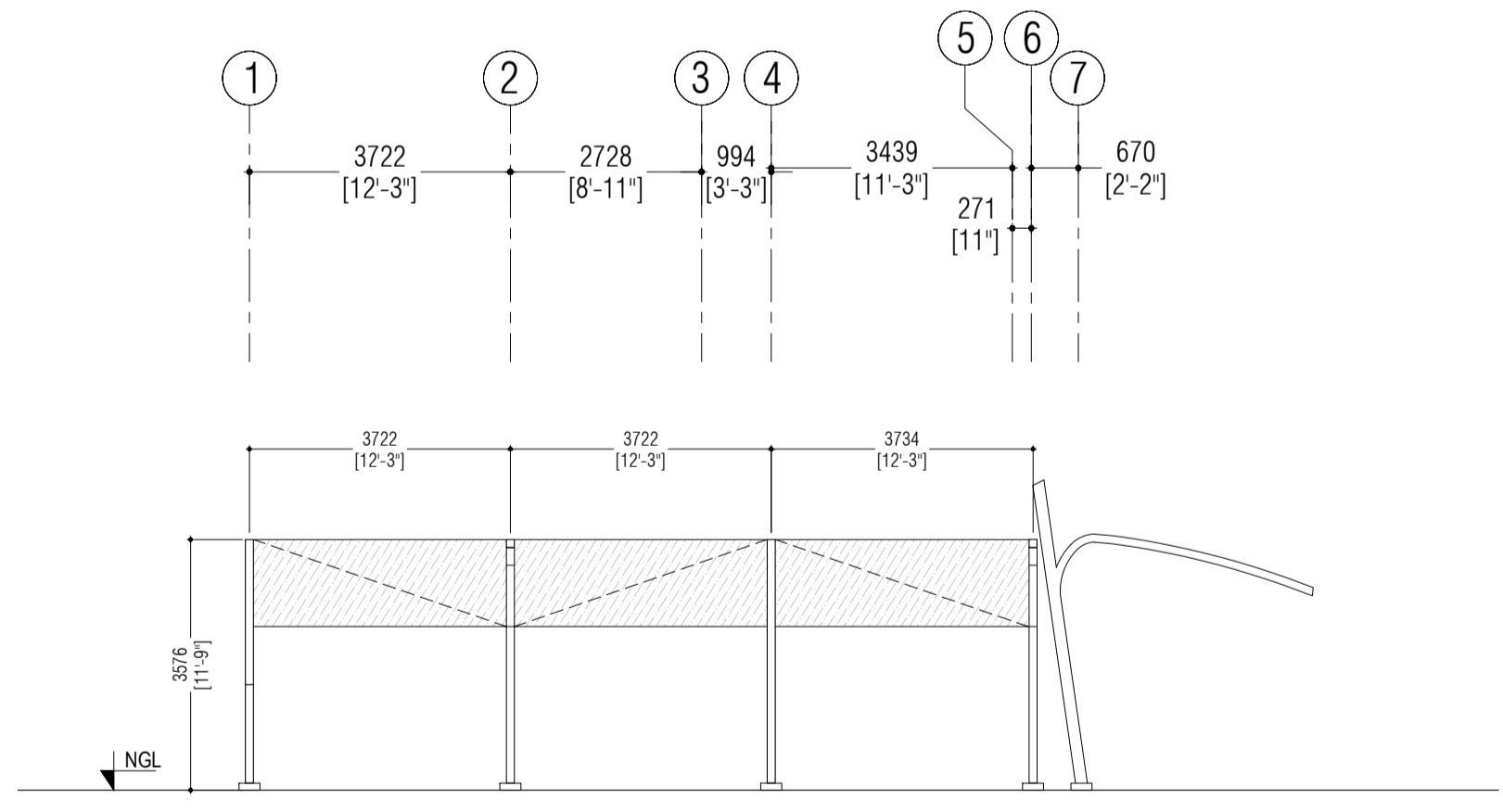
SM Associates Architects

RIHIKURI (1ST FLOOR), NIROLHU MAGU
NEIGHBORHOOD 1, HULHUMALE'
TEL: (960) 7826260, (960)7977119
EMAIL: INFO@SMCOLLECTIVES.NET

NOTES:



01 ELEVATION E1
SCALE 1:100



02 ELEVATION E2
SCALE 1:100

NO.	DESCRIPTION	DATE
REV A0	ISSUED FOR APPROVAL	06-JAN-23
REV A1	ISSUED FOR APPROVAL	18-APR-23

CANOPY SHADE

PROPOSED CAOPY SHADE AT REHENDHI
SCHOOL FRONT

Client: RPTA

Architect: -

Drafting: -

Engineer: FAZEEN

Structural Checker: ZUHAL


Architectural Checker: -

Drawing Title: AS SHOWN

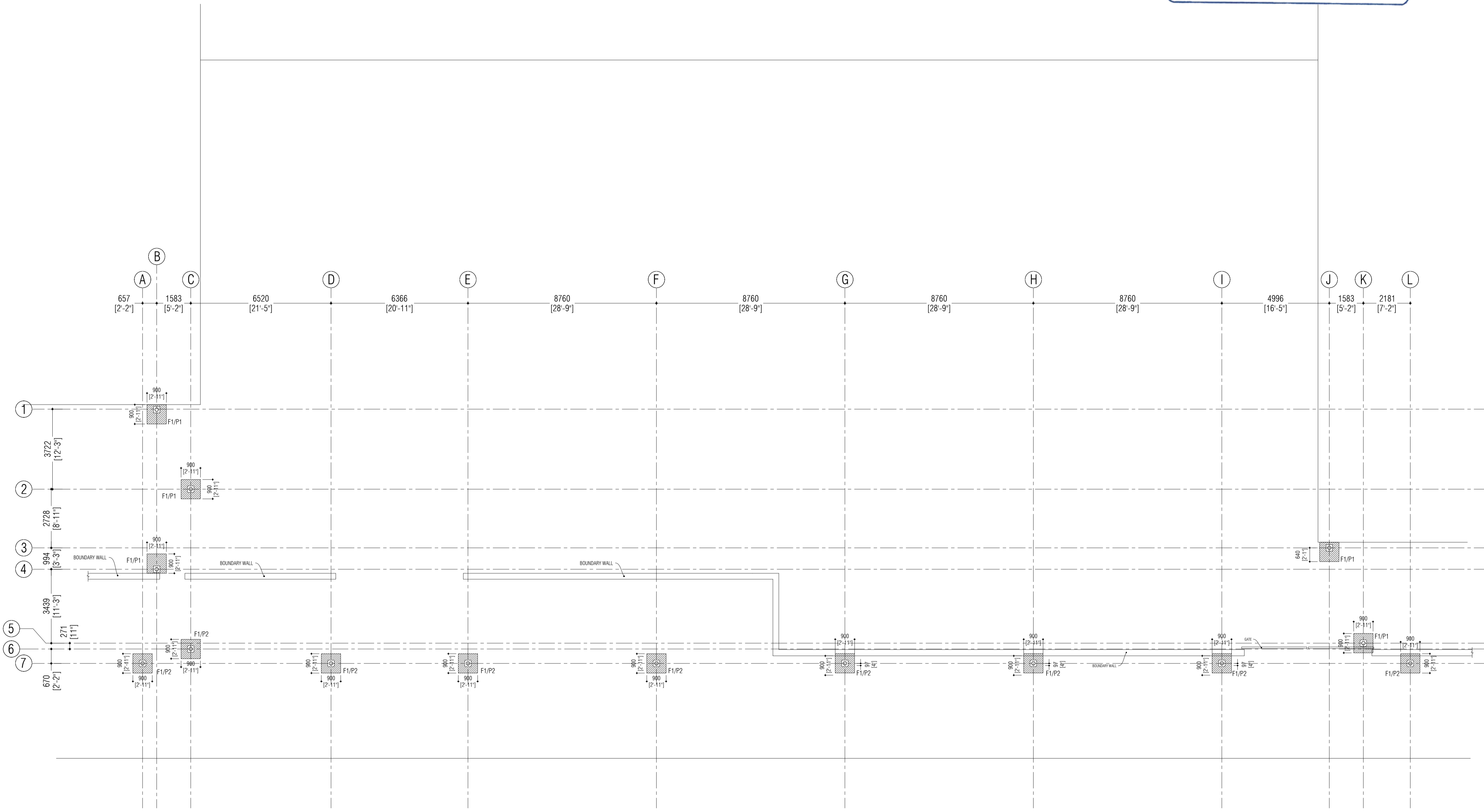
Issue: IFR Date: APR 2023 Pages: 06

Scale: 1:100 Paper: A1

Dwg #: A2318-A03- REV[A1]


 Ministry of National Planning, Housing & Infrastructure
ACCREDITED CHECKER
STRUCTURAL CHECKER A1
 Name: Ahmed Zuhail Zaeem VALIDITY: 01.04.21 - 22.03.22
 Accredited No: BPR2021035A1 A1-2021-035-001

Zuhail



01 FOUNDATION & POLE LOCATION PLAN
SCALE 1:100

F#	SIZE	REINFORCEMENT
F1	900 X 900 X 300	5T10@200 C/C (B1/B2)

F1/P1 : FOOTING 1 & POLE 1
F1/P2 : FOOTING 1 & POLE 2



Associates Architects

RIHIKURI (1ST FLOOR), NIROLHU MAGU
NEIGHBORHOOD 1, HULHUMALE'
TEL: (960) 7826260, (960) 7977119
EMAIL: INFO@SMCOLLECTIVES.NET

NOTES:

NO.	DESCRIPTION	DATE
REV A0	ISSUED FOR APPROVAL	06-JAN-23
REV A1	ISSUED FOR APPROVAL	18-APR-23

CANOPY SHADE

PROPOSED CAOPY SHADE AT REHENDHI
SCHOOL FRONT

Client: RPTA

Architect: -

Drafting: -

Engineer: FAZEEN

Structural Checker: ZUHAL


Architectural Checker: -

Drawing Title: AS SHOWN

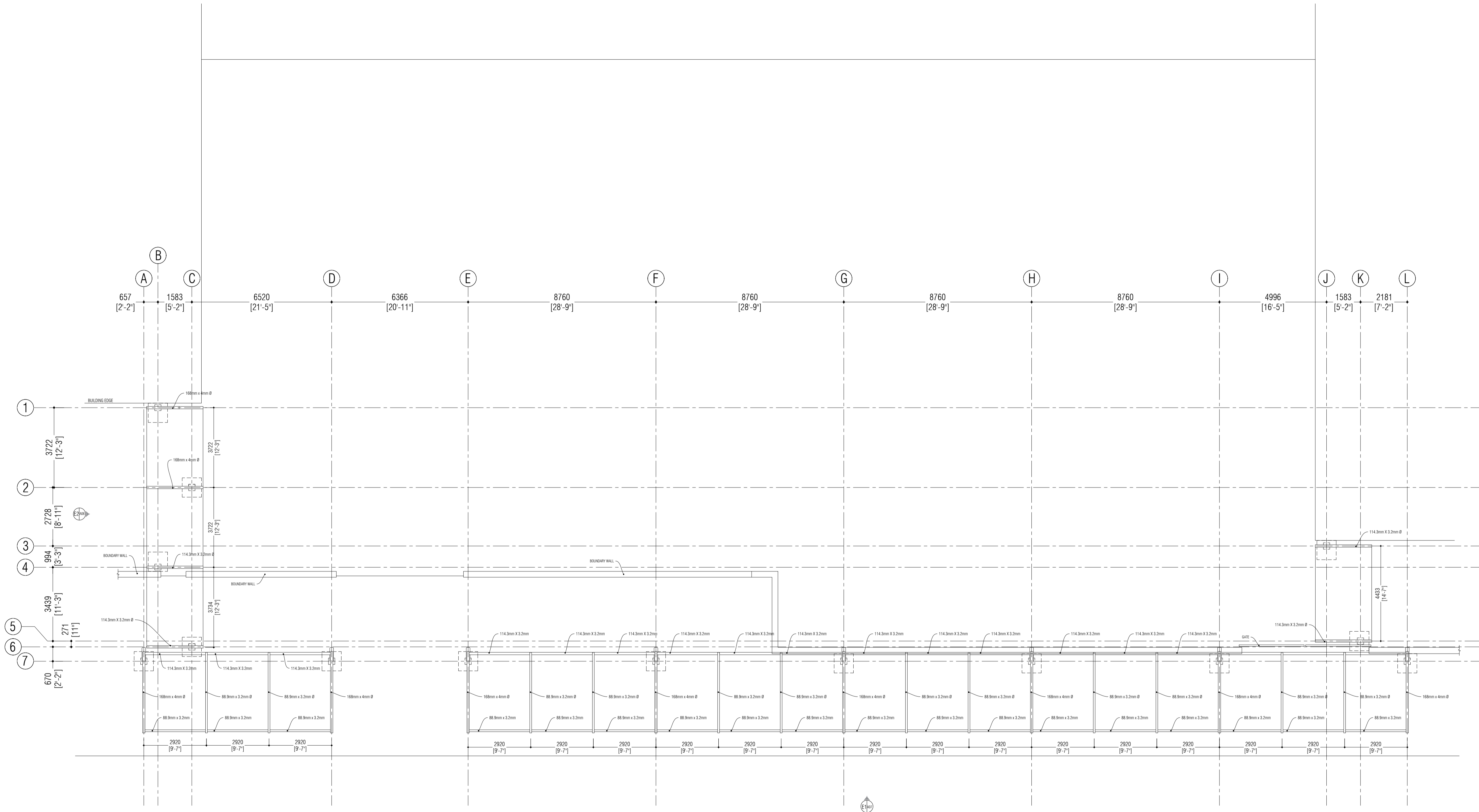
Issue: IFR Date: APR 2023 Pages: 06

Scale: 1:100 Paper: A1

Dwg #: A2318-S01- REV[A1]


 Ministry of National Planning, Housing & Infrastructure
ACCREDITED CHECKER
STRUCTURAL CHECKER A1
 Name: Ahmed Zuhal Zaeem VALIDITY: 01.04.21 - 22.03.22
 Accredited No: BPR2021035A1 A1-2021-035-001

Zuhal



01 ROOF MEMBER LAYOUT
SCALE 1:100



Associates Architects

RIHIKURI (1ST FLOOR), NIROLHU MAGU
NEIGHBORHOOD 1, HULHUMALE'
TEL: (960) 7826260, (960) 7977119
EMAIL: INFO@SMCOLLECTIVES.NET

NOTES:

NO.	DESCRIPTION	DATE
REV A0	ISSUED FOR APPROVAL	06-JAN-23
REV A1	ISSUED FOR APPROVAL	18-APR-23

CANOPY SHADE

PROPOSED CAOPY SHADE AT REHENDHI
SCHOOL FRONT

Client: RPTA

Architect: -

Drafting: -

Engineer: FAZEEN

Structural Checker: ZUHAL

Architectural Checker: -

Drawing Title: AS SHOWN

Issue: IFR Date: APR 2023 Pages: 06

Scale: 1:100 Paper: A1

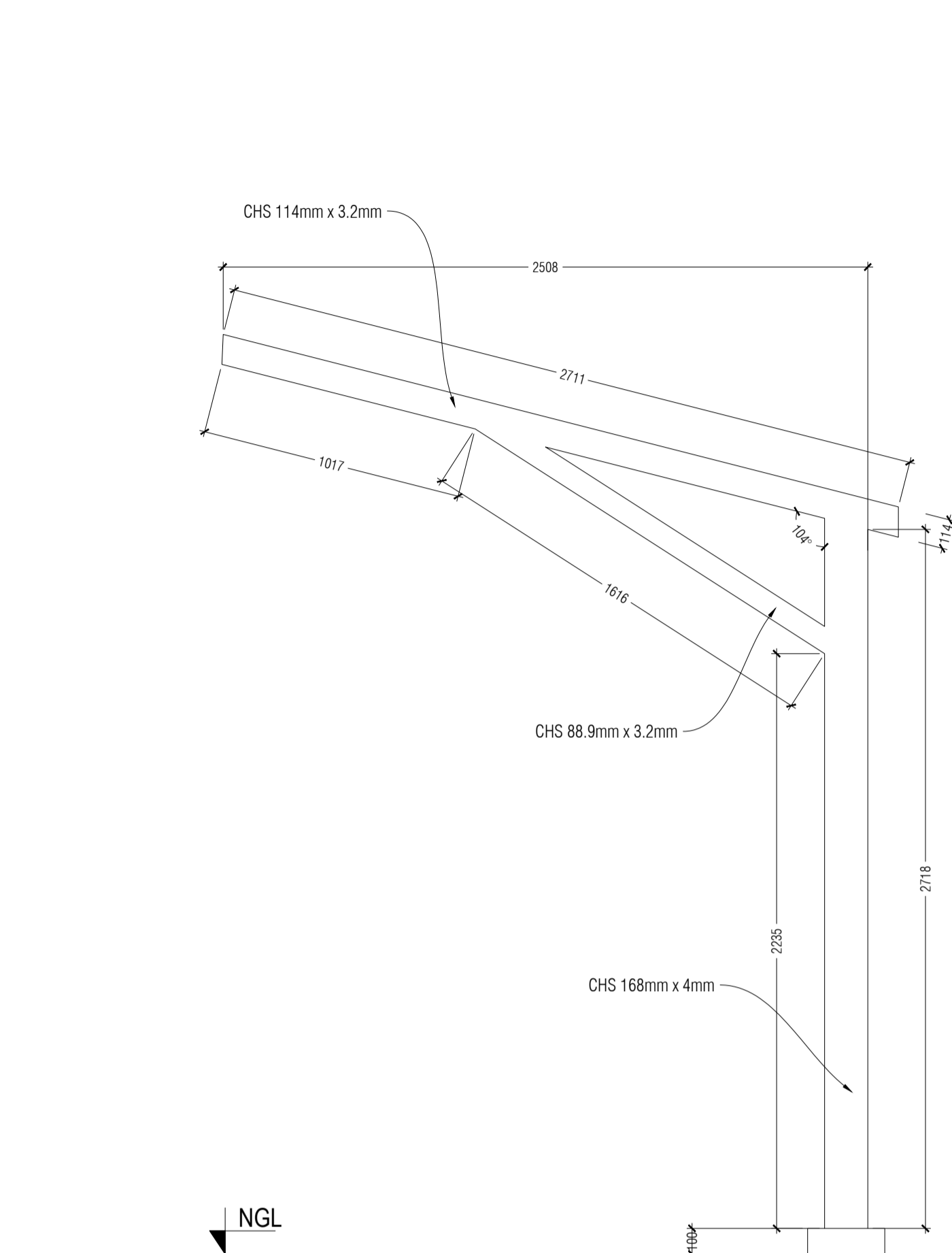
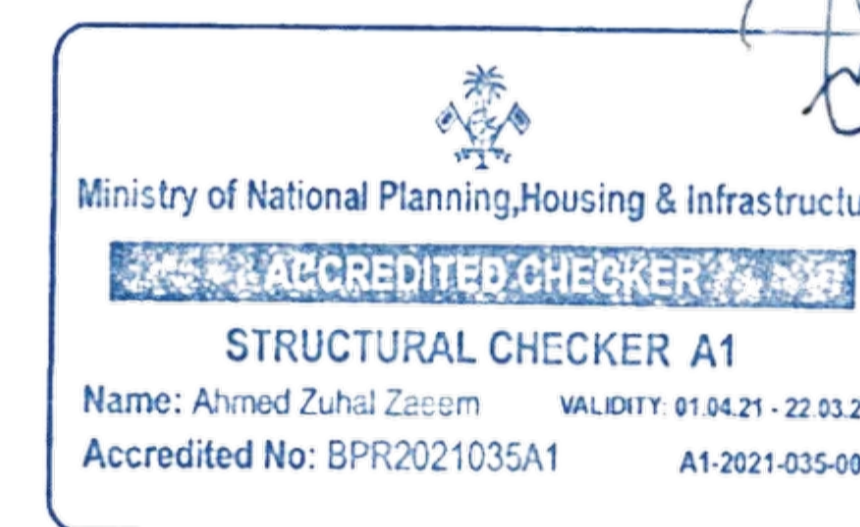
Dwg #: A2318-S02- REV[A1]



Associates Architects

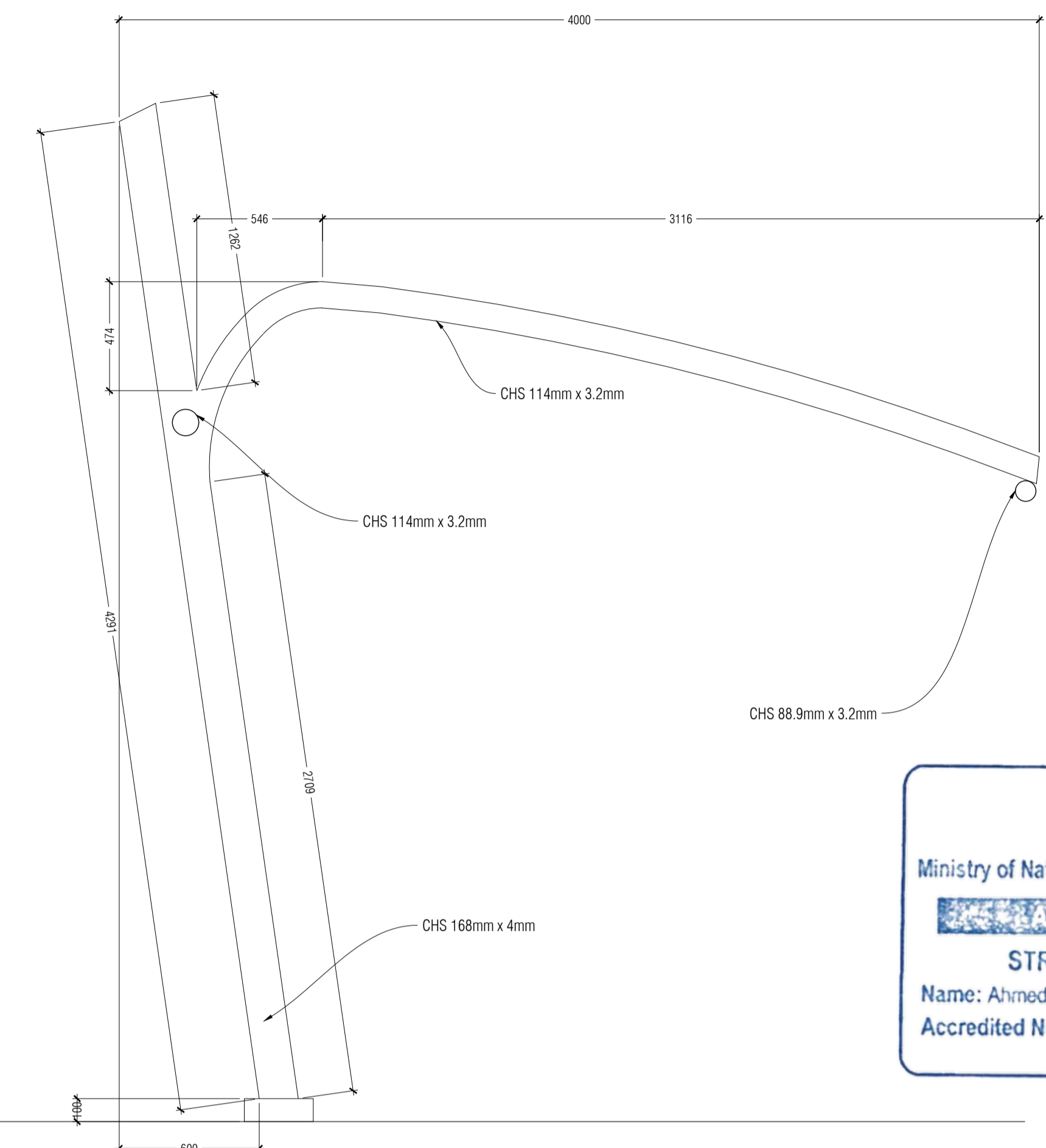
RIHIKURI (1ST FLOOR), NIROLHU MAGU
NEIGHBORHOOD 1, HULHUMALE'
TEL: (960) 7826260, (960)7977119
EMAIL: INFO@SMCOLLECTIVES.NET

NOTES:

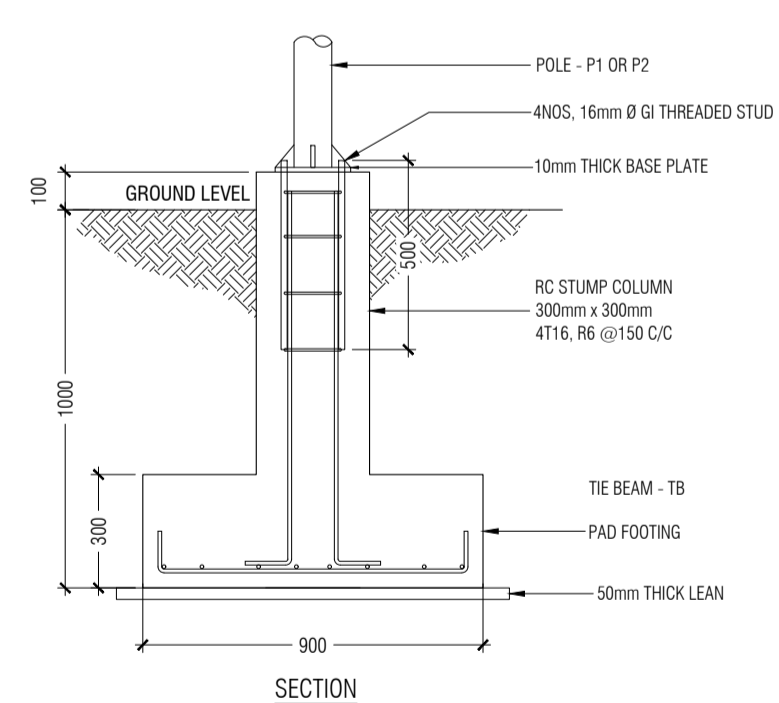


POLE TYPE 1 (P1)
TYPICAL SECTION

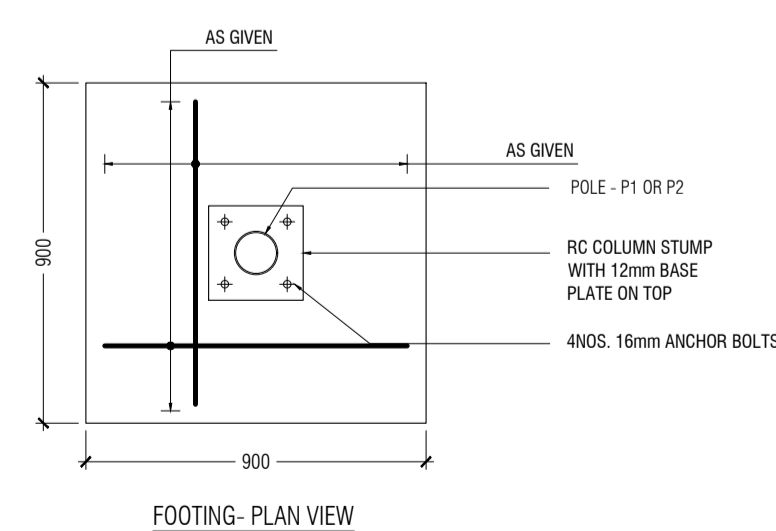
01 POLE STRUCTURAL DETAILS
SCALE 1:20



POLE TYPE 2 (P2)
TYPICAL SECTION

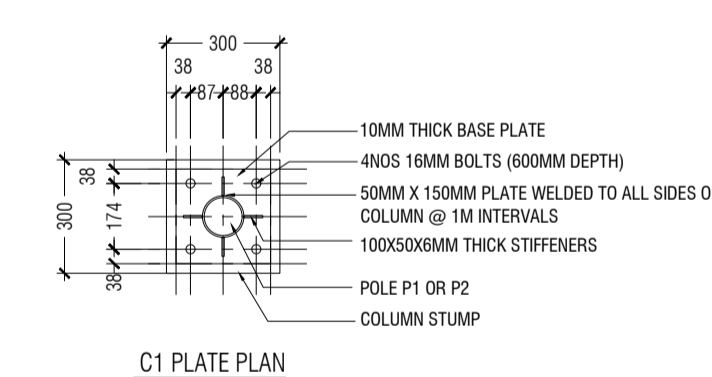


SECTION

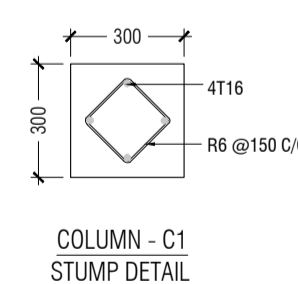


FOOTING - PLAN VIEW

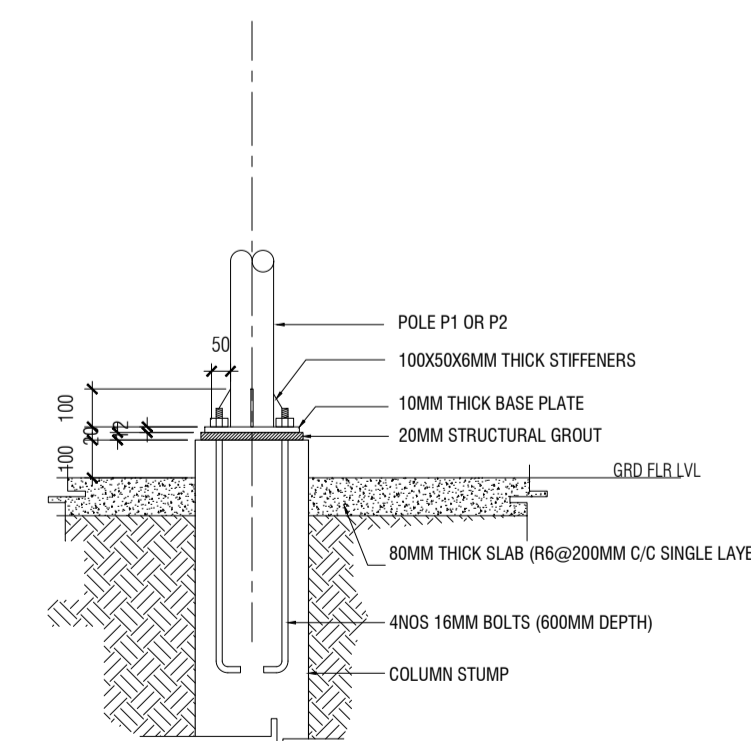
02 FOOTING DETAILS
SCALE 1:20



C1 PLATE PLAN



COLUMN - C1
STUMP DETAIL



COLUMN CONNECTION DETAIL

03 STUMP DETAILS
SCALE 1:20

CANOPY SHADE

PROPOSED CAOPY SHADE AT REHENDHI
SCHOOL FRONT

Client: RPTA

Architect: -

Drafting: -

Engineer: FAZEEN

Structural Checker: ZUHAL


Architectural Checker: -

Drawing Title: AS SHOWN

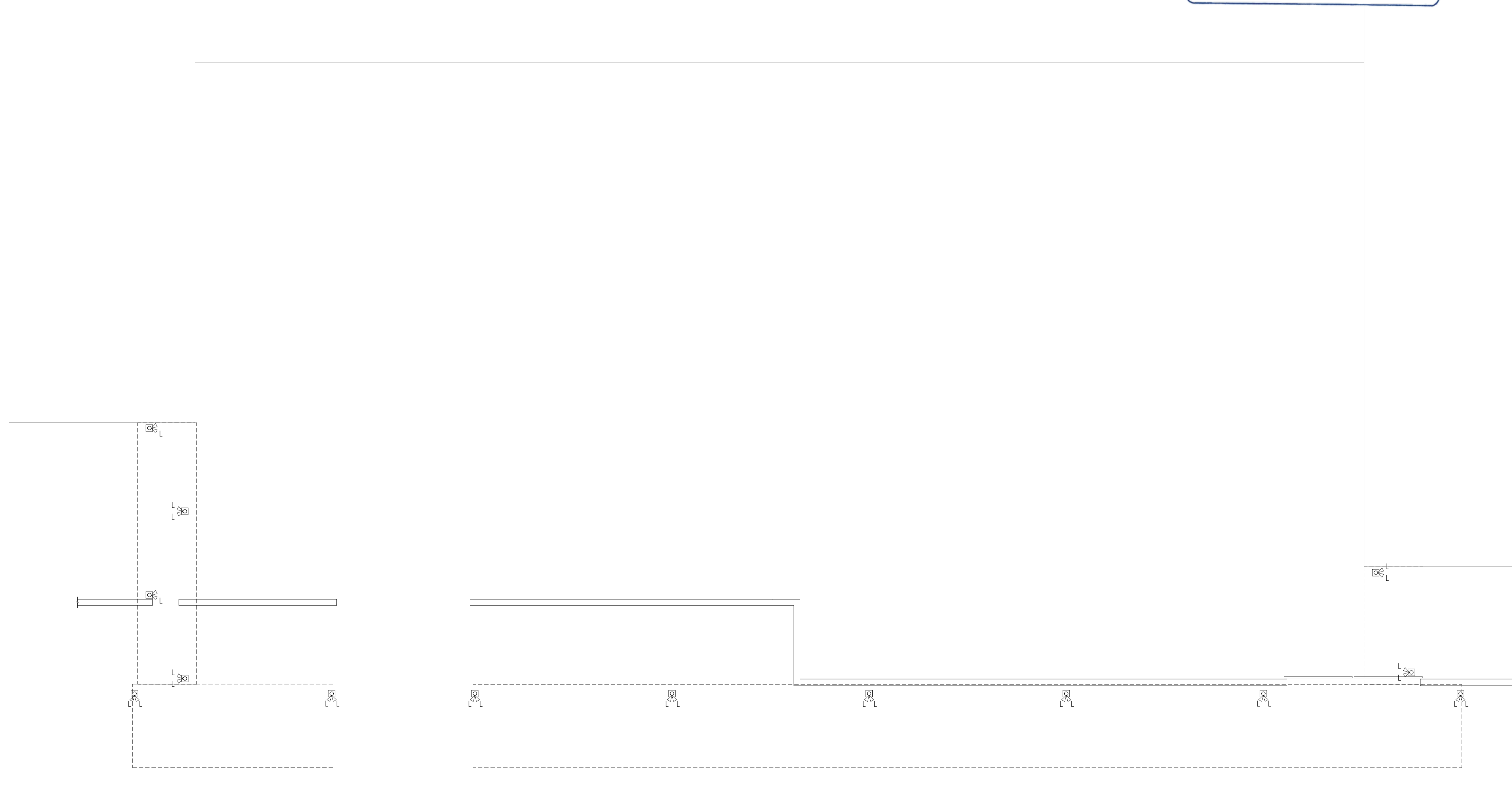
Issue: IFR Date: APR 2023 Pages: 06

Scale: 1:20 Paper: A1

Dwg #: A2318-S03- REV[A1]


 Ministry of National Planning, Housing & Infrastructure
ACCREDITED CHECKER
STRUCTURAL CHECKER A1
 Name: Ahmed Zuhail Zeem VALIDITY: 01.04.21 - 22.03.22
 Accredited No: BPR2021035A1 A1-2021-035-001

Zuhail



01 LIGHT LOCATION LAYOUT
SCALE 1:100

SYM	DETAILS
	POLE MOUNTED - DIFFUSED LIGHT (2NOS)

SM

Associates Architects

RIHIKURI (1ST FLOOR), NIROLHU MAGU
 NEIGHBORHOOD 1, HULHUMALE'
 TEL: (960) 7826260, (960) 7977119
 EMAIL: INFO@SMCOLLECTIVES.NET

NOTES:

NO.	DESCRIPTION	DATE
REV A0	ISSUED FOR APPROVAL	06-JAN-23
REV A1	ISSUED FOR APPROVAL	18-APR-23

CANOPY SHADE

PROPOSED CAOPY SHADE AT REHENDHI
SCHOOL FRONT

Client: RPTA

Architect: -

Drafting: -

Engineer: FAZEEN

Structural Checker: ZUHAL

Architectural Checker: -

Drawing Title: AS SHOWN

Issue: IFR Date: APR 2023 Pages: 06

Scale: 1:100 Paper: A1

Dwg #: A2318-EL01-REV[A1]