

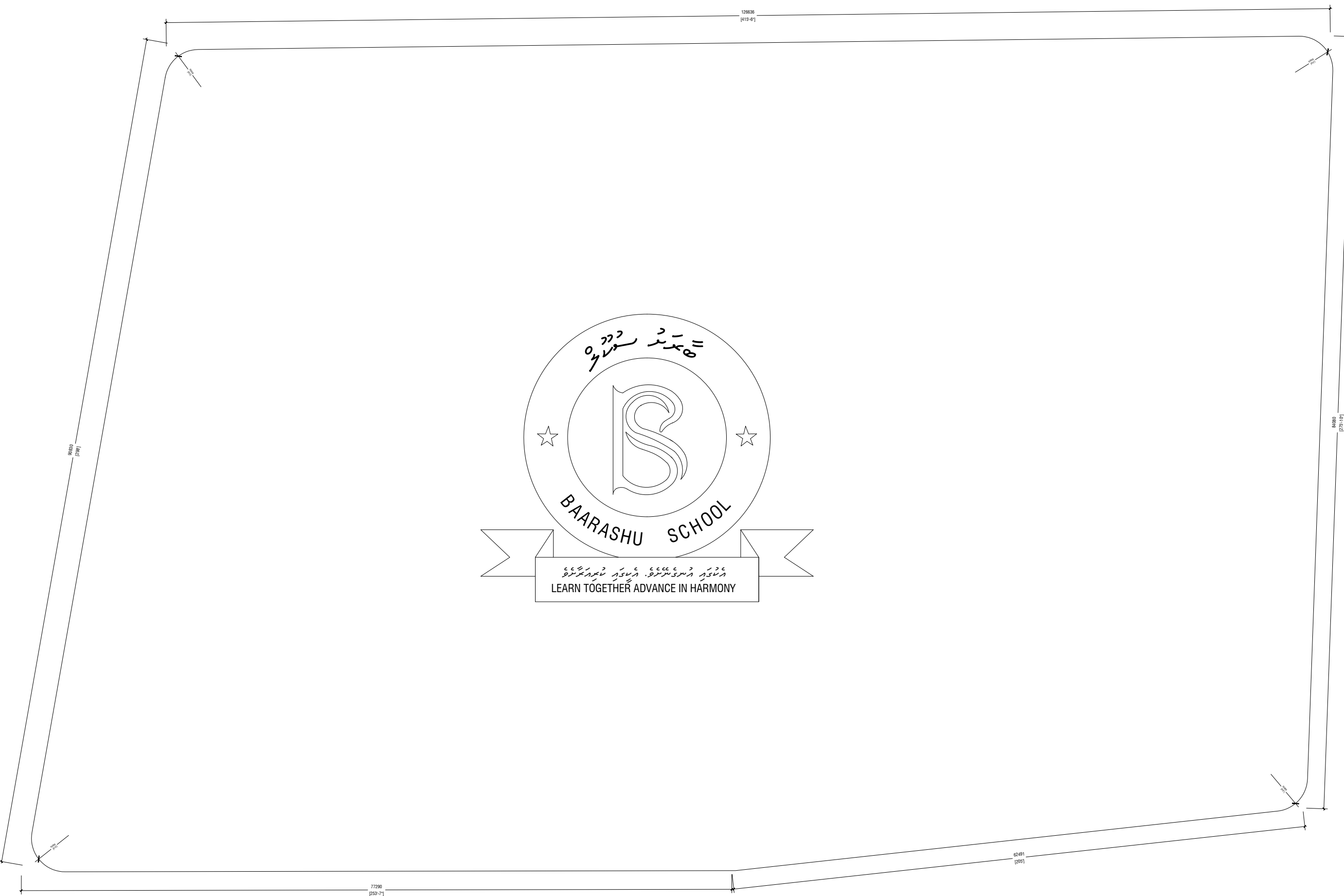
Proposed Lounge & gate
Ha. Baarashu School

ARCHITECTURAL & STRUCTURAL DRAWINGS

Ministry of Education
Male', Republic of Maldives

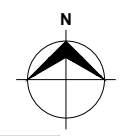
TABLE OF CONTENTS

DRAWING No.	TITLE	REVISION No.	DATE	REMARKS
A R C H I T E C T U R A L / S T R U C T U R A L		---	---	---
A - 01 /09	SITE PLAN	---	---	---
A - 02 /09	BOUNDARY WALL & GATE PLAN	---	---	---
A - 03 /09	FRONT ELEVATION	---	---	---
A - 04 /09	WAITING AREA DETAIL	---	---	---
A - 05 /09	GATE DETAILS	---	---	---
A - 06 /09	BOUNDARY WALL DETAIL	---	---	---
A - 07 /09	DECORATIVE PLANTER SEAT DETAIL	---	---	---
A - 08 /09	DIGITAL NOTICE BOARD DETAIL	---	---	---
A - 09 /09	STRUCTURAL DETAIL	---	---	---



SITE PLAN

SCALE 1:400



PROJECT :
Proposed Lounge & gate
Ha. Baarashu School

PROJ. REF: _____

SCALE : AS GIVEN

ARCHITECT : _____

ENGINEER : _____

DRAWN : _____

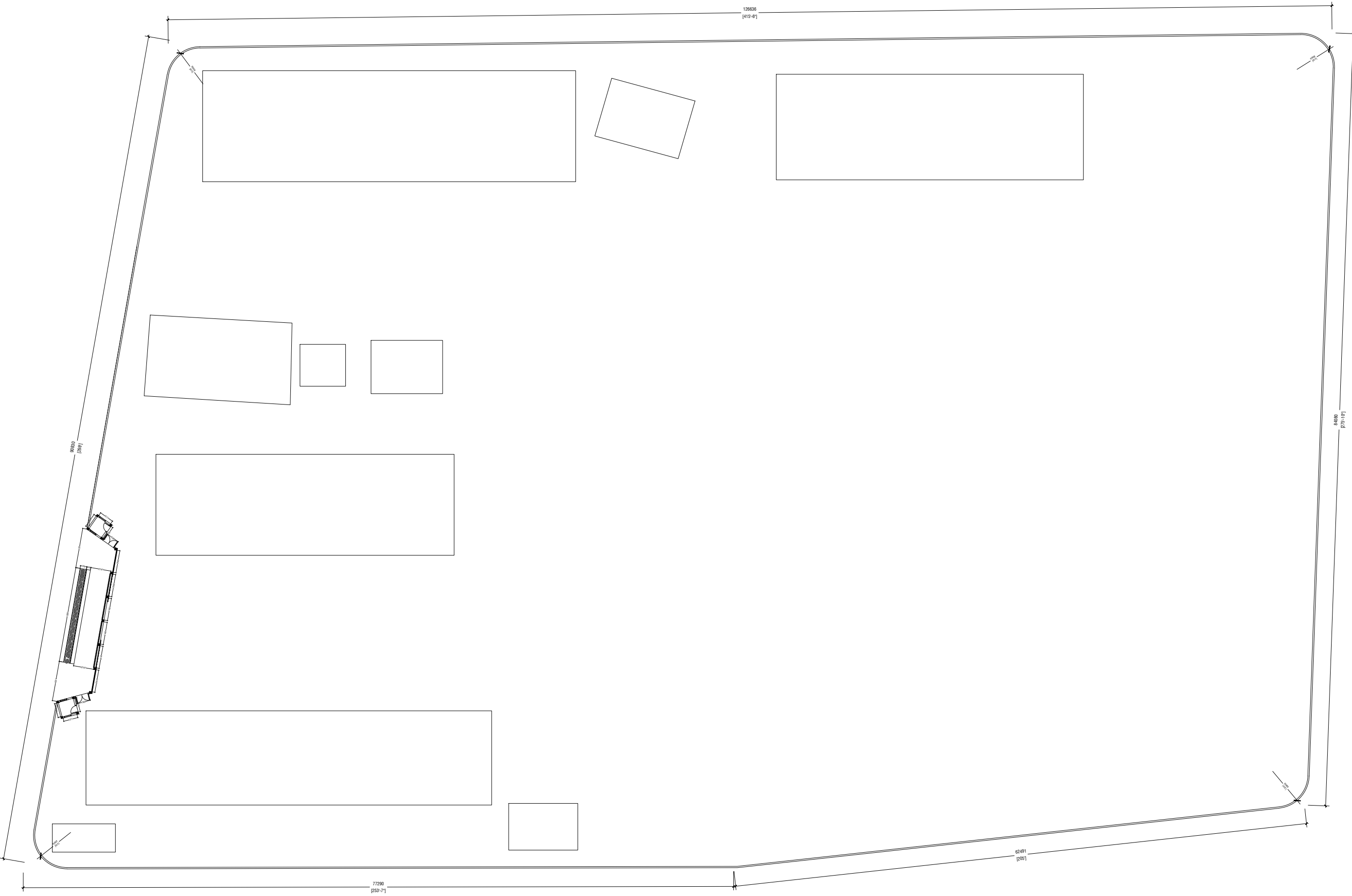
CHECKED : _____

DATE : 05.03.2023

AMMENDMENTS

Issue	Date	Description

DWG NO : A01 -10



BOUNDARY WALL & GATE PLAN

SCALE 1:400



PROJECT :
Proposed Lounge & gate
Ha. Baarashu School

PROJ. REF: _____

SCALE : AS GIVEN

ARCHITECT : _____

ENGINEER : _____

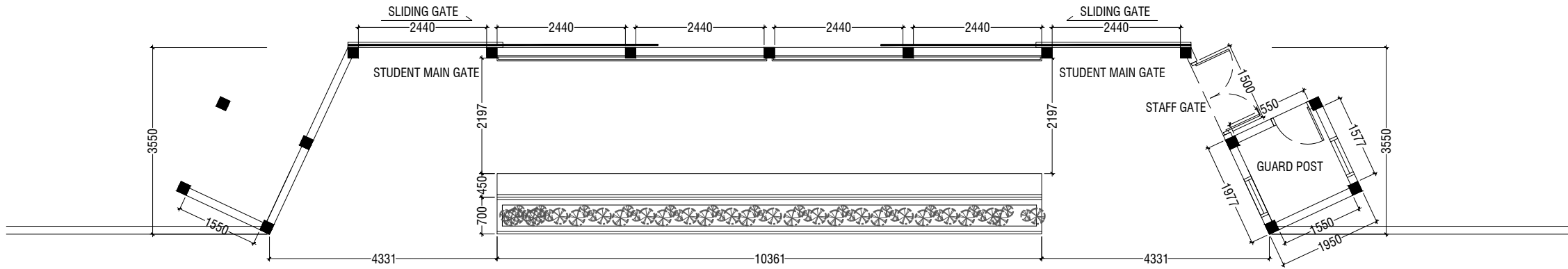
DRAWN : _____

CHECKED : _____

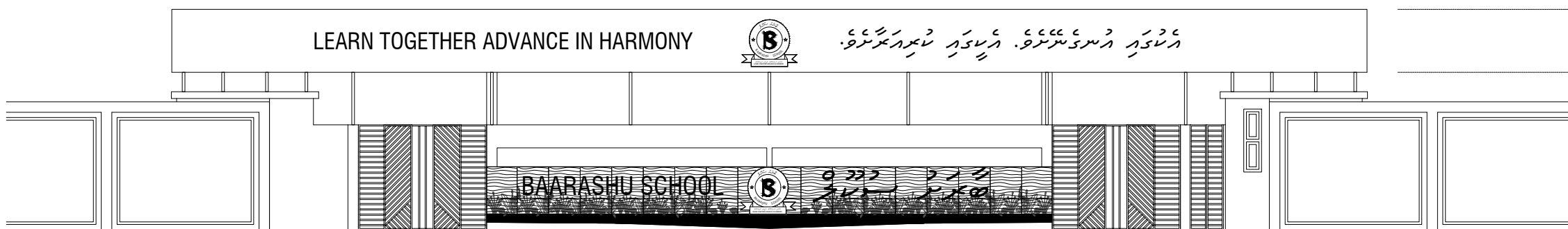
DATE : 05.03.2023

AMMENDMENTS		
Issue	Date	Description

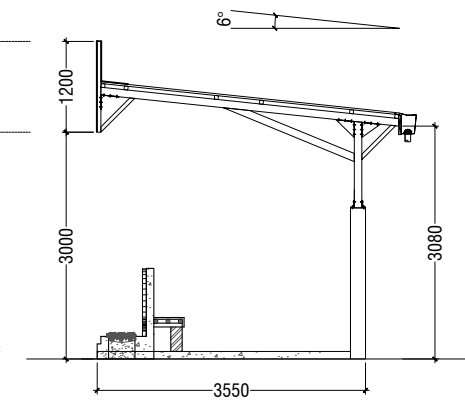
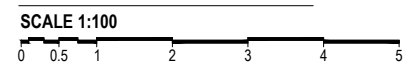
DWG NO : A02 -10



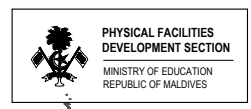
FLOOR PLAN



FRONT ELEVATION



SECTION X-X

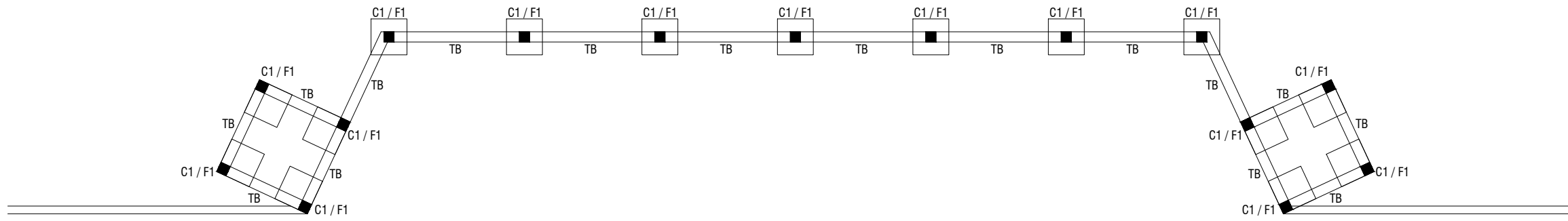


PROJECT :
Proposed Lounge & gate
Ha. Baarashu School

PROJ. REF: _____
SCALE : AS GIVEN
ARCHITECT : _____
ENGINEER : _____
DRAWN : _____
CHECKED : _____
DATE : 05.03.2023

AMMENDMENTS		
Issue	Date	Description

DWG NO : A03 -10



COLUMN AND FOOTING PLAN

SCALE 1:100



PROJECT :
Proposed Lounge & gate
Ha. Baarashu School

PROJ. REF: _____

SCALE : AS GIVEN

ARCHITECT : _____

ENGINEER : _____

DRAWN : _____

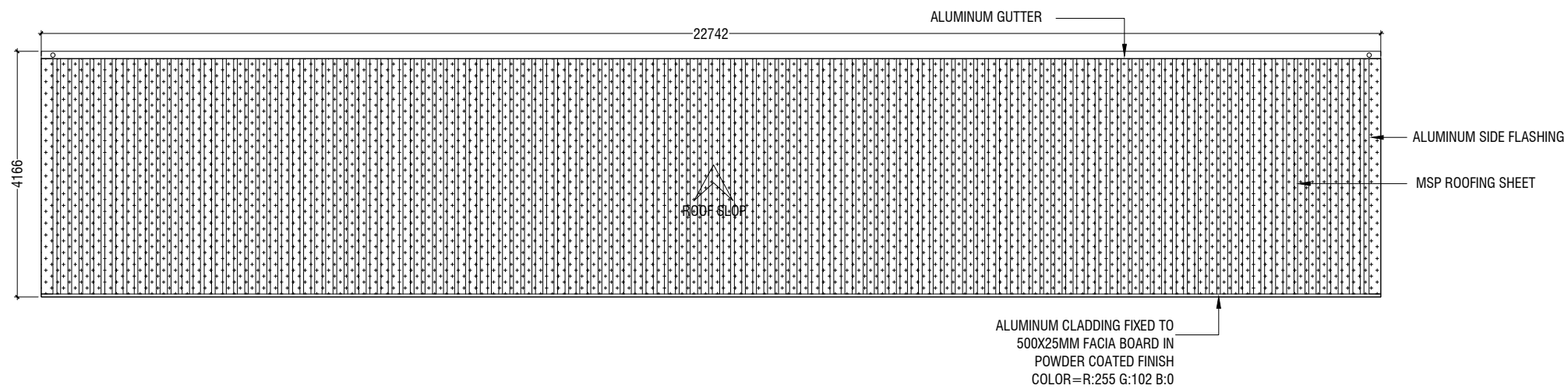
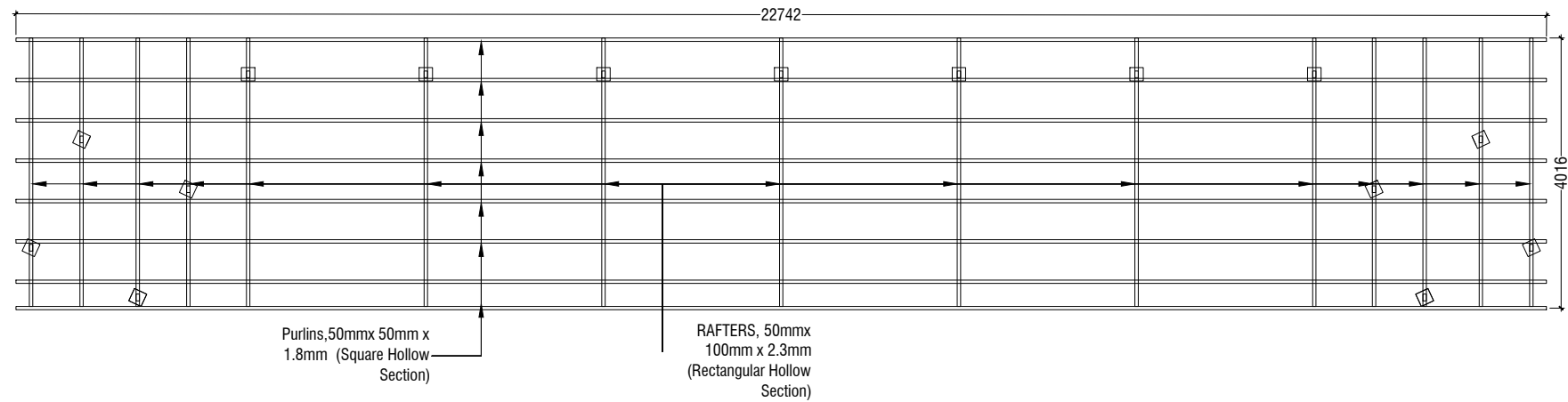
CHECKED : _____

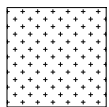
DATE : 05.03.2023

AMMENDMENTS

Issue	Date	Description

DWG NO : A05 -10





 6mm THICK CEMENT BOARD ON ROOF
 EAVE/GABLE CEILING
 (ONE COAT OF PUTTY FOLLOWED BY SEALER
 AND 2 COATS OF PAINT)

ROOF STRUCTURAL PLAN

WAITING AREA DETAIL

SCALE 1:100

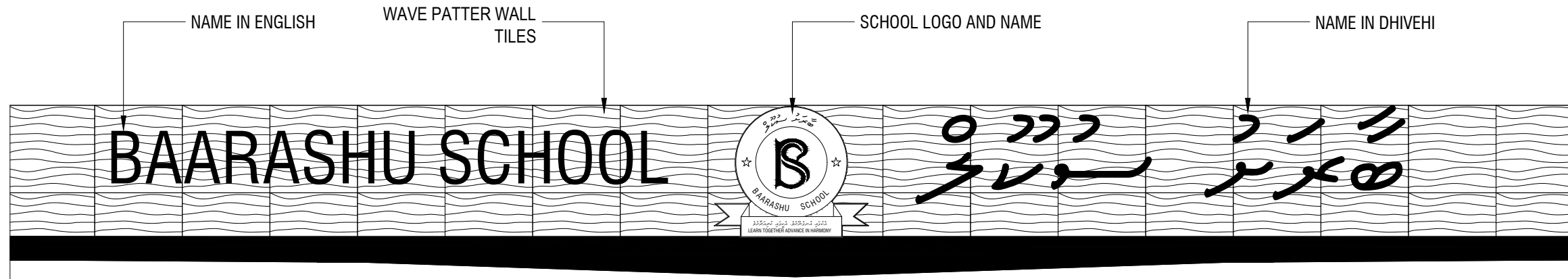



PROJECT :
 Proposed Lounge & gate
 Ha. Baarashu School

PROJ. REF: _____
 SCALE : AS GIVEN
 ARCHITECT : _____
 ENGINEER : _____
 DRAWN : _____
 CHECKED : _____
 DATE : 05.03.2023

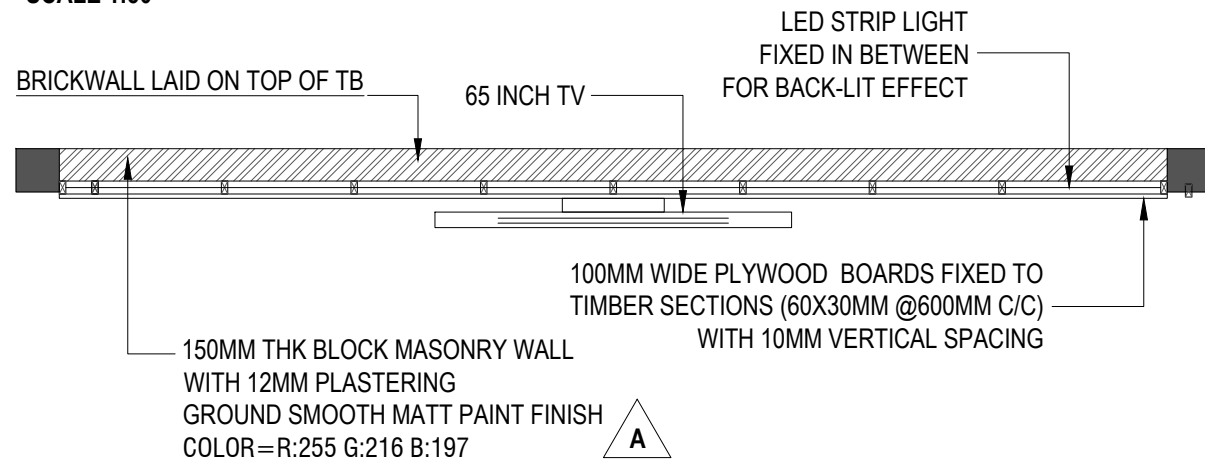
AMMENDMENTS		
Issue	Date	Description

DWG NO : A06 -10



SCHOOL NAME WALL DETAILS

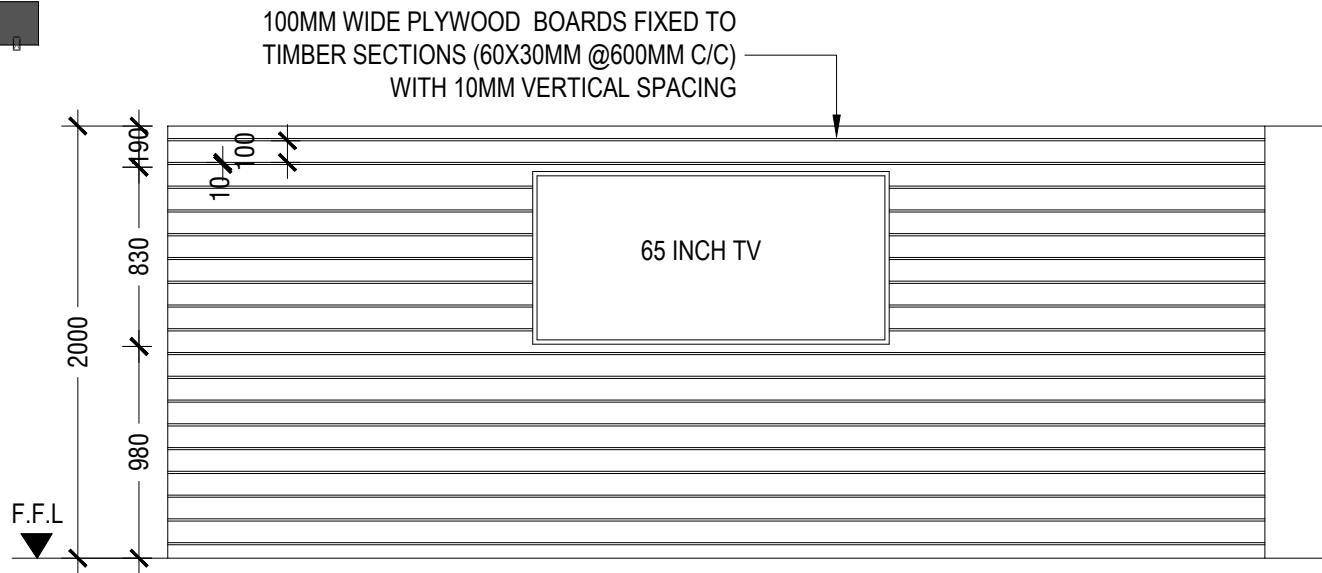
SCALE 1:50



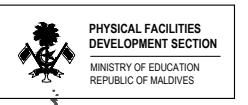
Plan

DIGITAL NOTICE BOARD WALL DETAILS

SCALE 1:50



Elevation-A



PROJECT :
Proposed Lounge & gate
Ha. Baarashu School

PROJ. REF: _____

SCALE : AS GIVEN

ARCHITECT : _____

ENGINEER : _____

DRAWN : _____

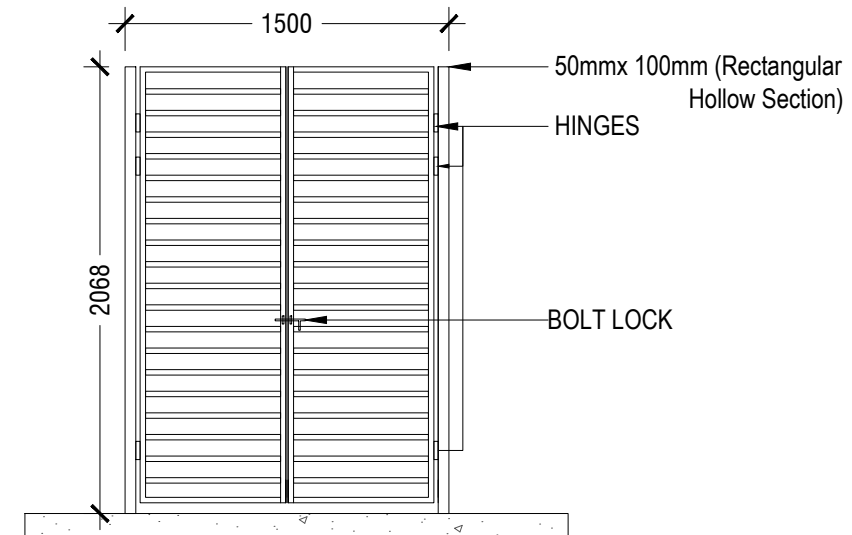
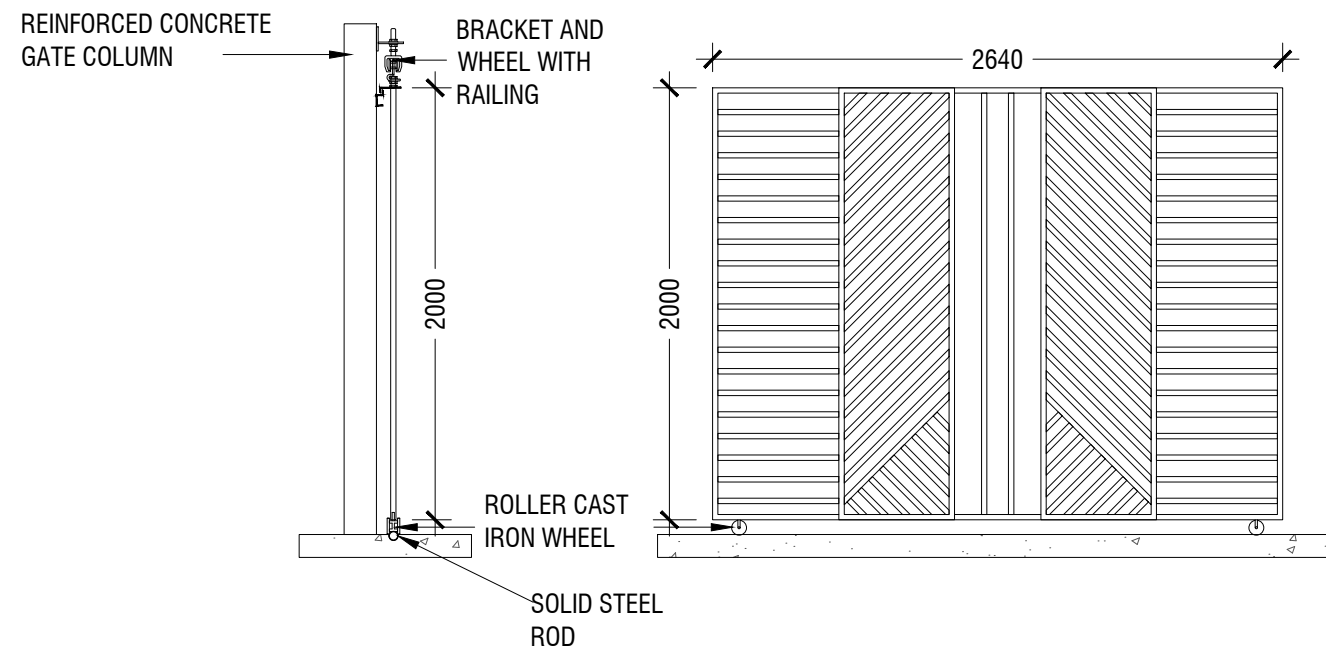
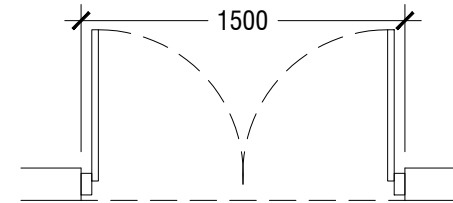
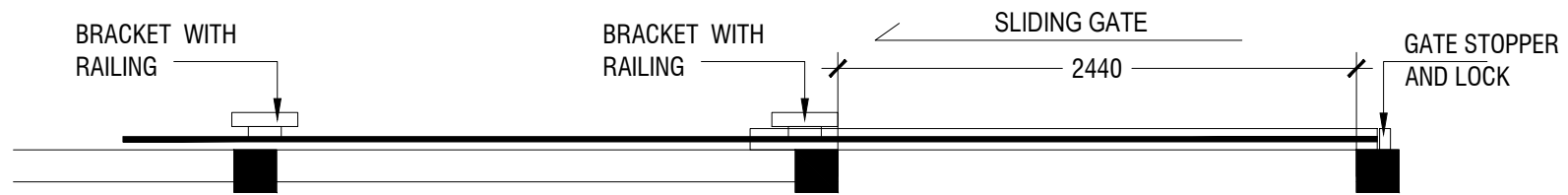
CHECKED : _____

DATE : 05.03.2023

AMMENDMENTS

Issue	Date	Description

DWG NO : A07 -10



MAIN GATE DETAILS
SCALE 1:50

STAFF GATE DETAILS
SCALE 1:50

PROJECT :
Proposed Lounge & gate
Ha. Baarashu School

PROJ. REF: _____

SCALE : AS GIVEN

ARCHITECT : _____

ENGINEER : _____

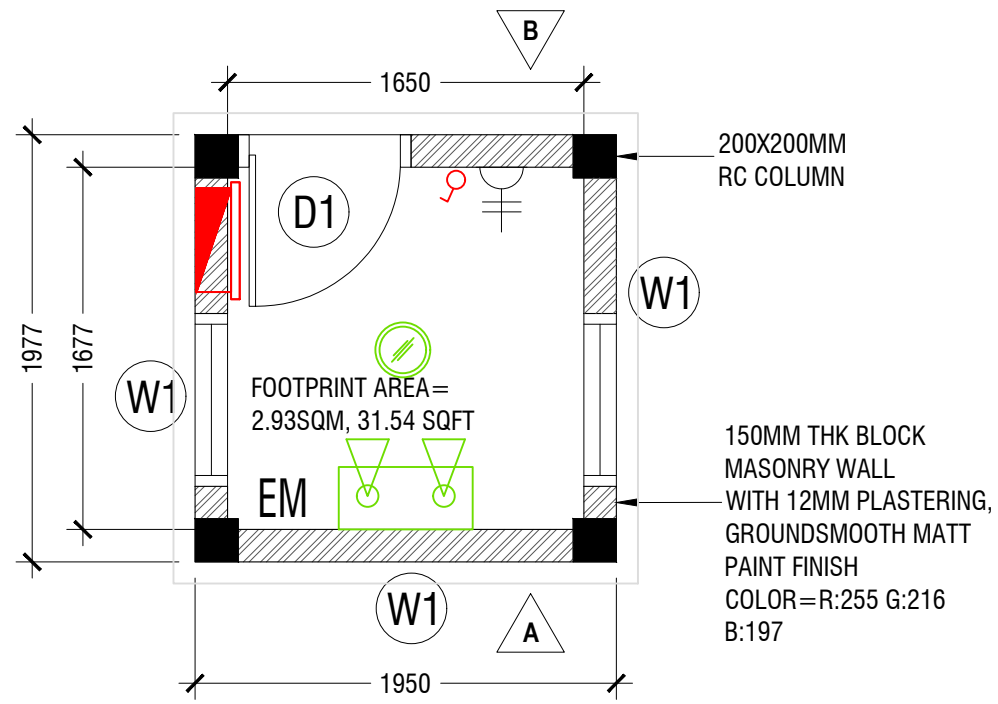
DRAWN : _____

CHECKED : _____

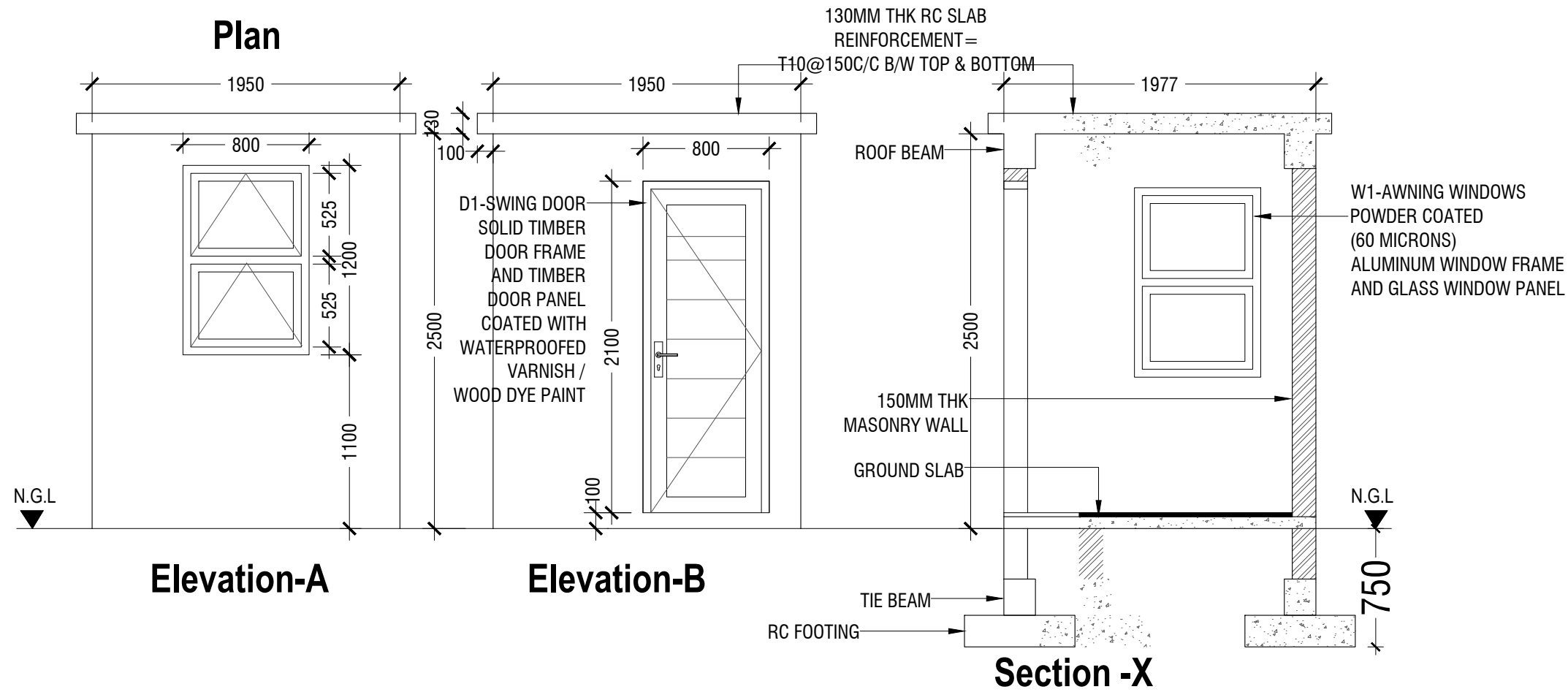
DATE : 05.03.2023

AMMENDMENTS

Issue	Date	Description

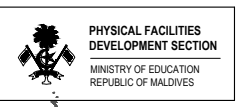


Plan



SECURITY POST DETAILS

SCALE 1:50



PROJECT :
Proposed Lounge & gate
Ha. Baarashu School

PROJ. REF: _____

SCALE : AS GIVEN

ARCHITECT : _____

ENGINEER : _____

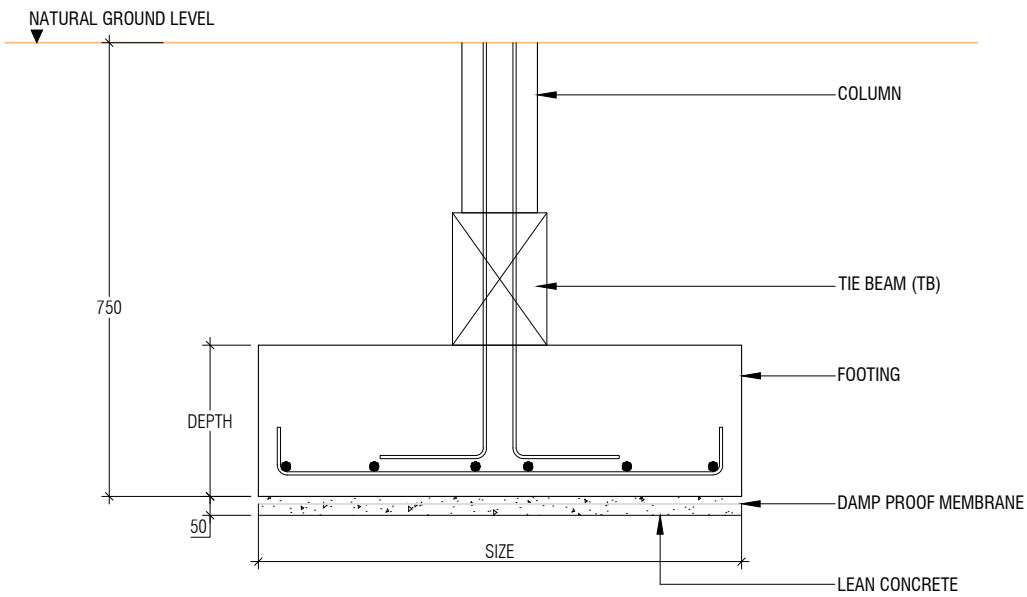
DRAWN : _____

CHECKED : _____

DATE : 05.03.2023

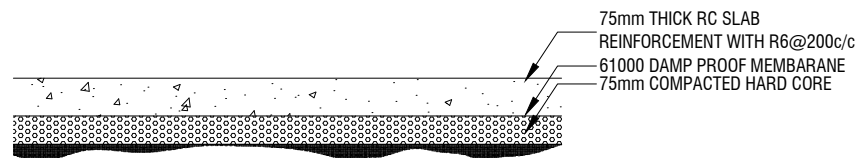
AMMENDMENTS

Issue	Date	Description



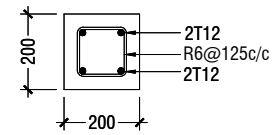
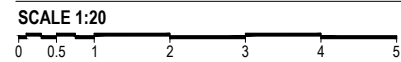
TYPICAL FOUNDATION PAD DETAIL

PAD	SIZE/MM	DEPTH/MM	BOTTOM REINF.	TOP REINF.
F1	700X700	200	T10@150MM C/C	T10@150MM C/C

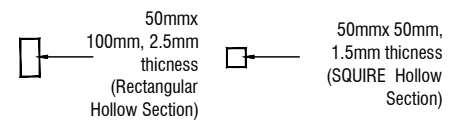


GROUND SLAB DETAIL

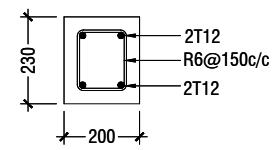
BOUNDARY WALL FOUNDATION DETAIL



C1
COLUMN DETAIL

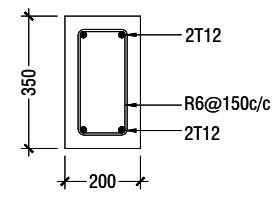
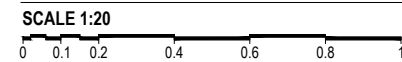


RAFTER / PURLING DETAIL



TB
TIE BEAM UNDER ALL WALLS AND COLUMNS
TIE BEAM DETAIL

BOUNDARY WALL DETAILS



RB
TIE BEAM DETAIL



PROJECT :
Proposed Lounge & gate
Ha. Baarashu School

PROJ. REF: _____

SCALE : AS GIVEN

ARCHITECT : _____

ENGINEER : _____

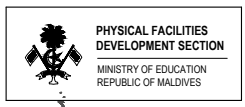
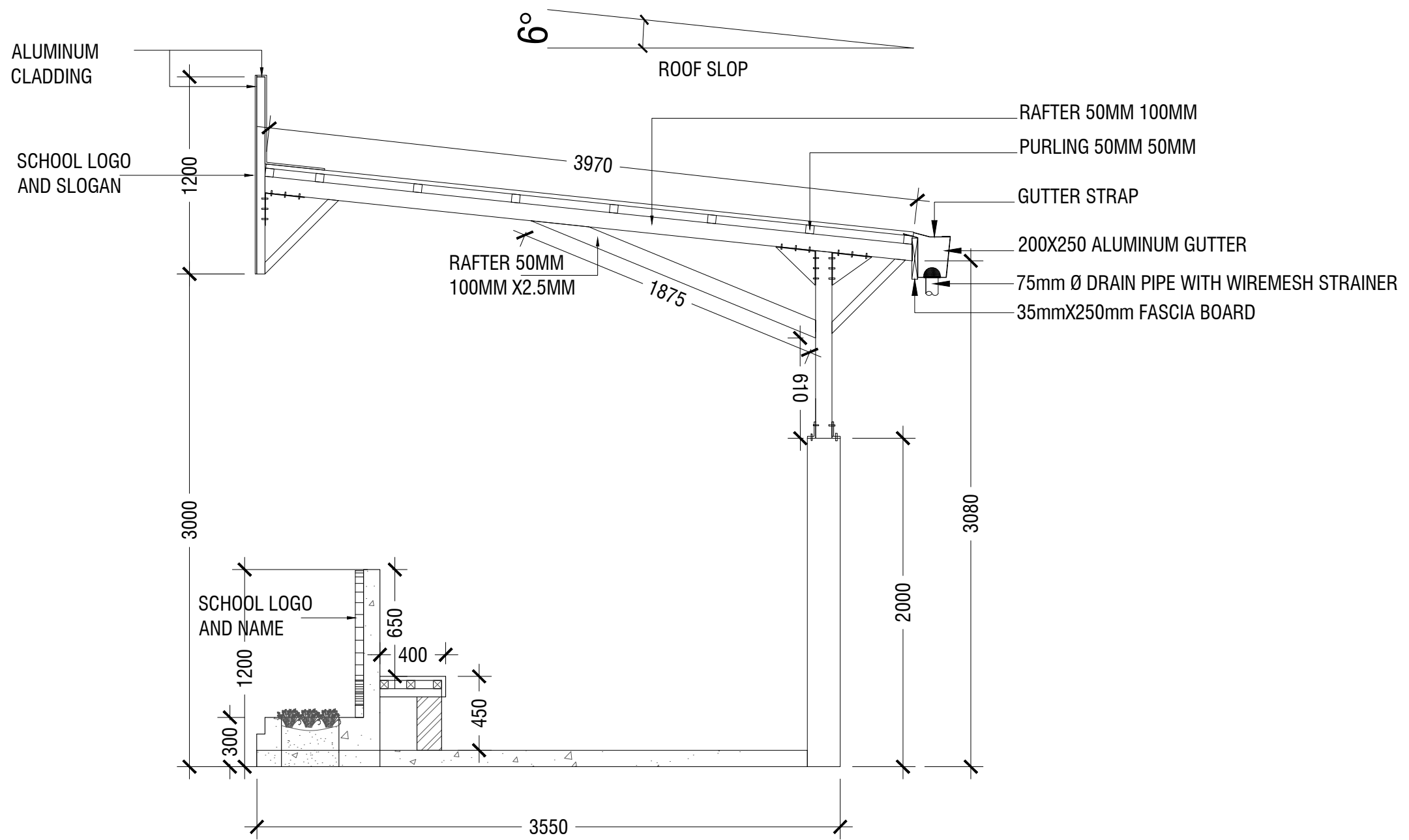
DRAWN : _____

CHECKED : _____

DATE : 05.03.2023

AMMENDMENTS

Issue	Date	Description



PHYSICAL FACILITIES DEVELOPMENT SECTION
 MINISTRY OF EDUCATION
 REPUBLIC OF MALDIVES

PROJECT :
 Proposed Lounge & gate
 Ha. Baarashu School

PROJ. REF: _____

SCALE : AS GIVEN

ARCHITECT : _____

ENGINEER : _____

DRAWN : _____

CHECKED : _____

DATE : 05.03.2023

AMMENDMENTS

Issue	Date	Description

DWG NO :S02 -10

SECTION DETAILS
 SCALE 1:50