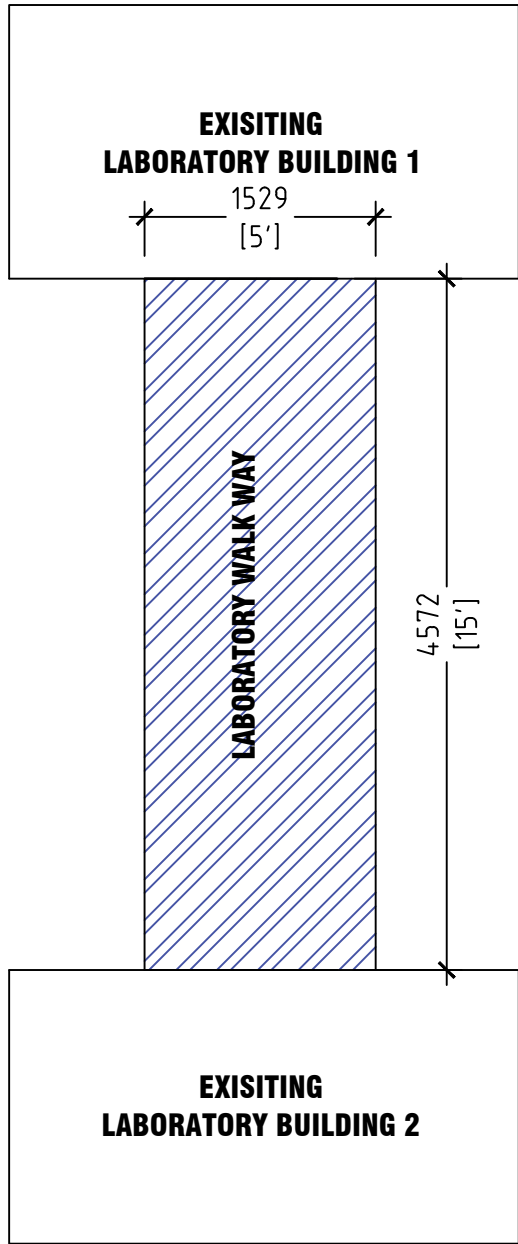


**PROPOSED WALKWAY CONNECTION OF
LABORATORY BUILDINGS**

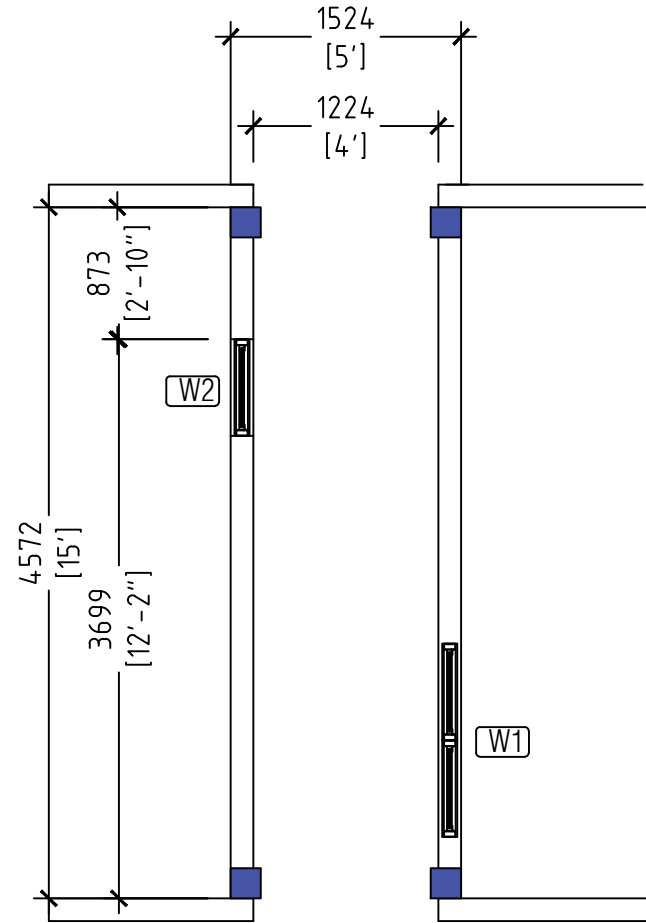
ARCHITECTURAL AND STRUCTURAL DRAWINGS

DR ABDUL SAMAD MEMORIAL HOSPITAL

PROPOSED WALKWAY CONNECTION OF LABORATORY BUILDINGS

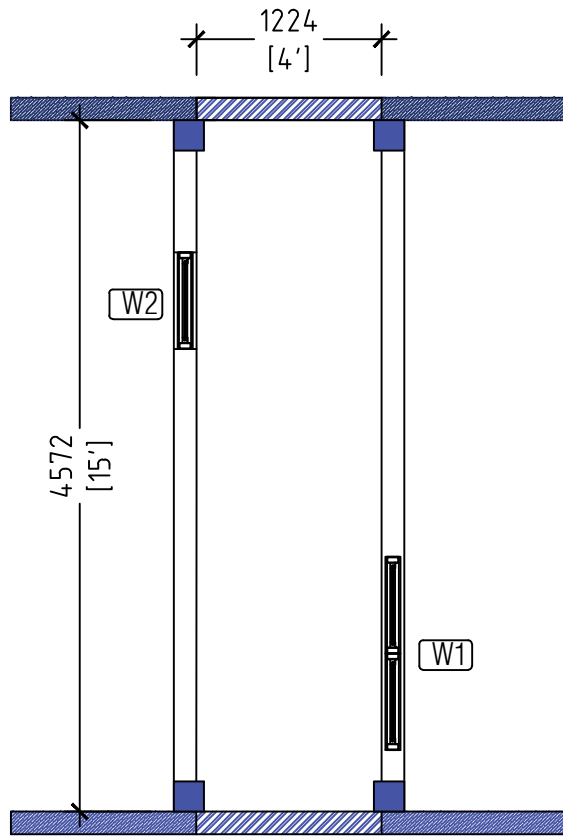




SITE PLAN
SCALE 1:50



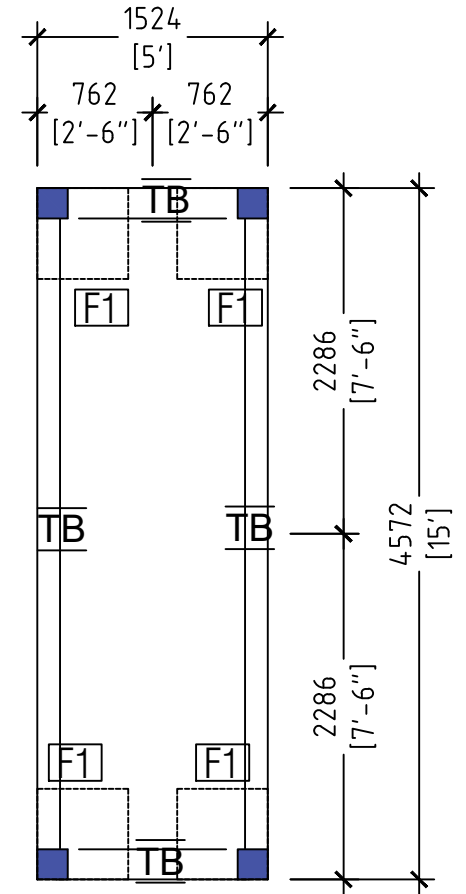
FLOOR PLAN
SCALE 1:50

PROPOSED WALKWAY CONNECTION OF LABORATORY BUILDINGS



-  EXISTING BUILDING WALLS
-  WALLS TO BE DEMOLISHED

EXISTING WALL DETAILS
SCALE 1:50

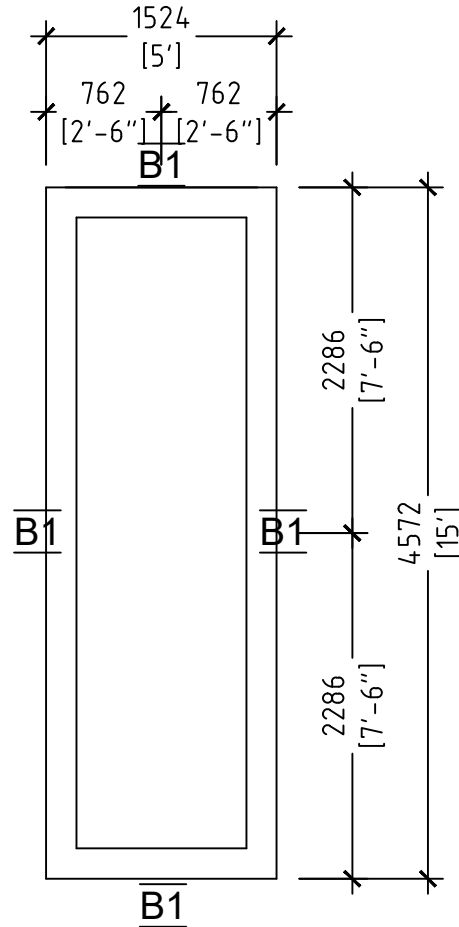


FOOTING DETAILS
F1 : 600X600X300 - T10 @100 C/C

NOTE
ALL COLUMNS ARE C1
ALL FOUNDATION BEAMS ARE TB

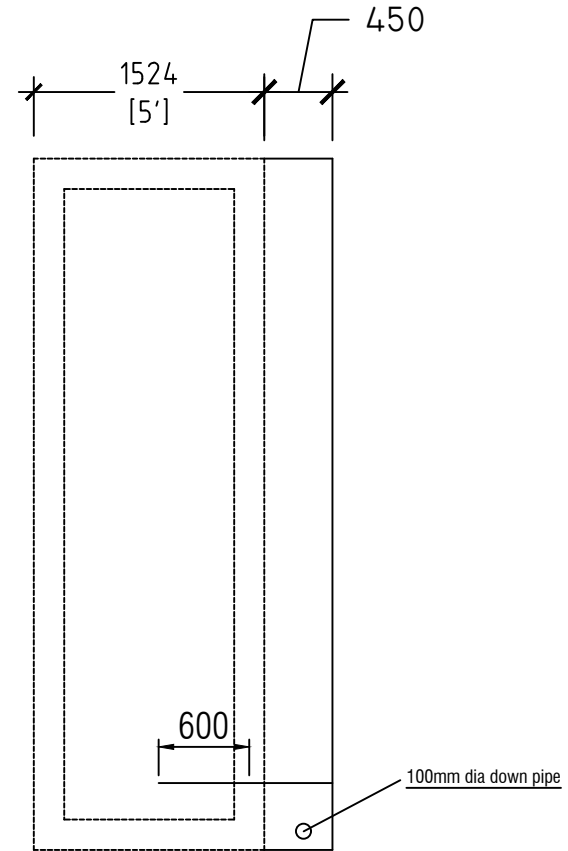
FOUNDATION PLAN
SCALE 1:50

PROPOSED WALKWAY CONNECTION OF LABORATORY BUILDINGS



BEAM PLAN

SCALE 1:50



NOTE

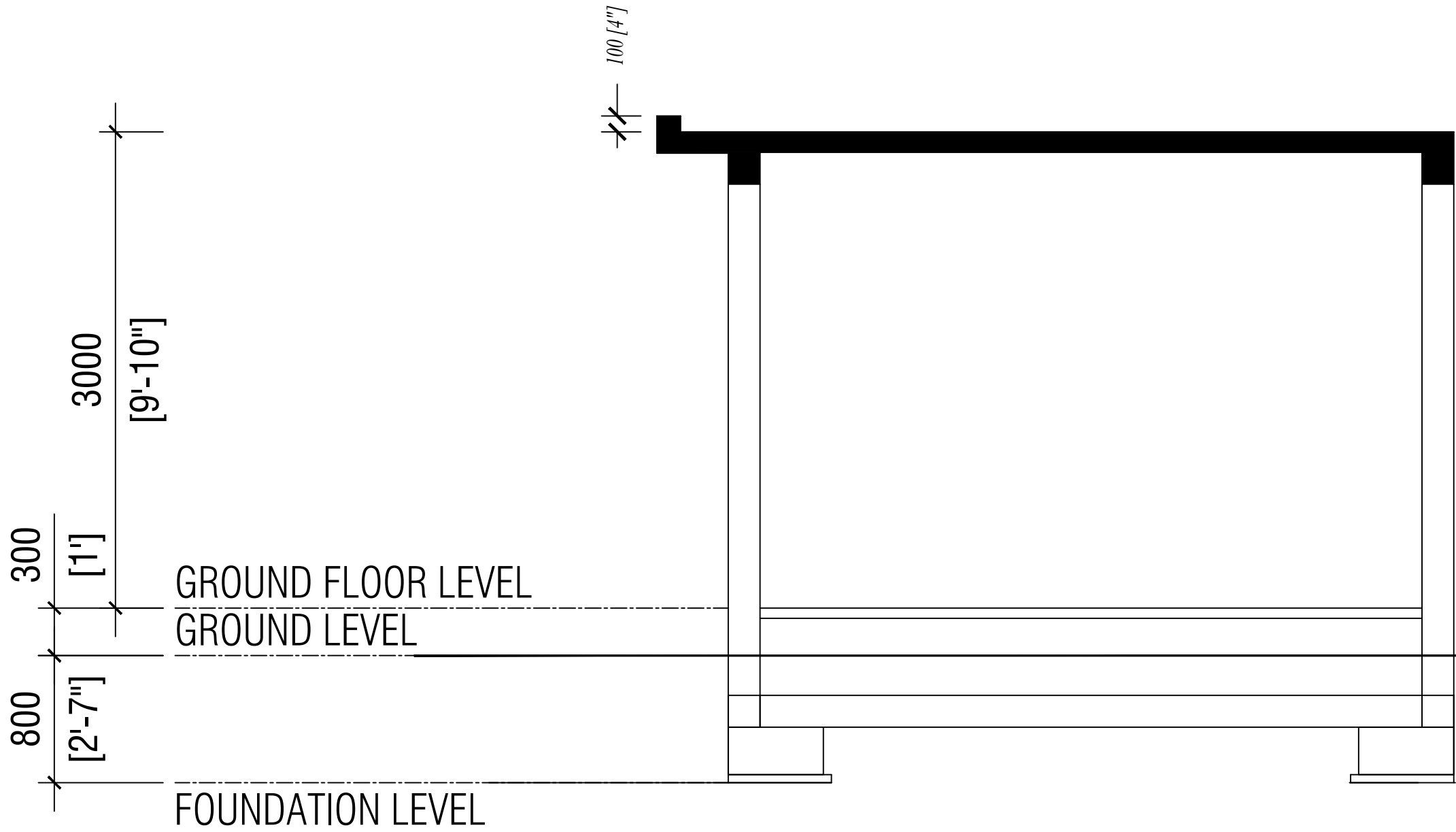
SLAB THICKNESS = 125 mm

TOP REINFORCEMENT : T10 @150 C/C (AS SHOWN)

BOTTOM REINFORCEMENT : T10 @150 C/C (NOT SHOWN)

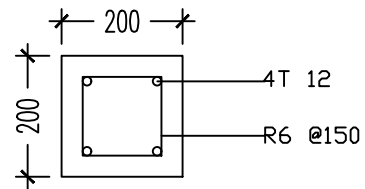
SLAB REINFORCEMENT PLAN

SCALE 1:50

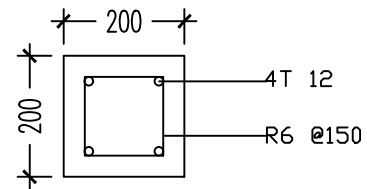


CROSS SECTION

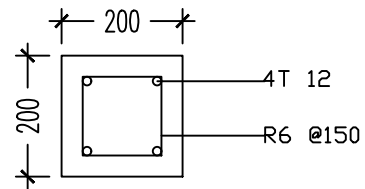
SCALE 1:50



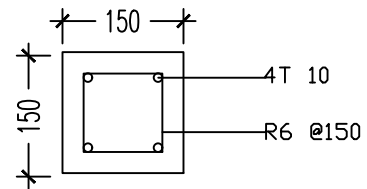
Foundation Beam



Columns - C1



Beam - B1





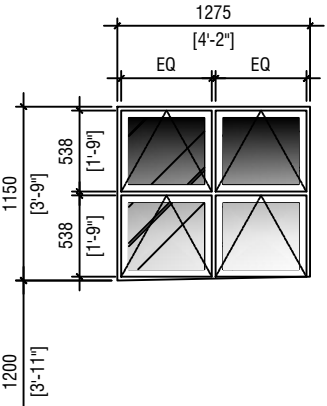
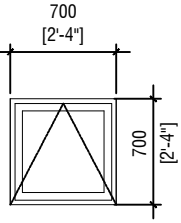
Lintel Beam

STRUCTURAL DETAILS

NOTE: LINTEL BEAMS ABOVE AND BELOW WINDOORS

NOTE

- SHOP DRAWINGS AND TECHNICAL SPECIFICATIONS FOR ALL ALUMINUM DOORS AND WINDOWS SHOWING DETAILS OF SECTIONS, ASSEMBLY, TYPE OF LOCKS, HINGES, BOLTS AND HANDLES SHOULD BE SUBMITTED BY THE CONTRACTOR FOR THE CONSULTANTS APPROVAL.
- ALL ELEVATIONS SHOWN FROM OUTSIDE.
- ALL MEASUREMENTS TO BE CHECKED ON SITE BEFORE FABRICATION.

PLAN :		
ELEVATIONS :	<p style="text-align: center;">W1</p> 	<p style="text-align: center;">W2</p> 
FINISH FLOOR LEVEL		
DR / WD NO.	W01	D2
DESCRIPTION :	ALUMINUM FRAMED OPEN ABLE WINDOW PANELS	ALUMINUM FRAMED OPEN ABLE WINDOW PANELS
FRAME :	80 MICRON WHITE POWDER COATED ALUMINUM FRAME	80 MICRON WHITE POWDER COATED ALUMINUM FRAME
GLAZING :	6MM THICK HEAT REFLECTIVE GLASS	6MM THICK HEAT REFLECTIVE GLASS

KEY

- G - GLASS
- T - TIMBER
- FA - FIXED ALUMINUM LOUVERS
- FG - FIXED GLASS
- EQ - EQUAL

DOOR WINDOW SCHEDULE

SCALE 1:50