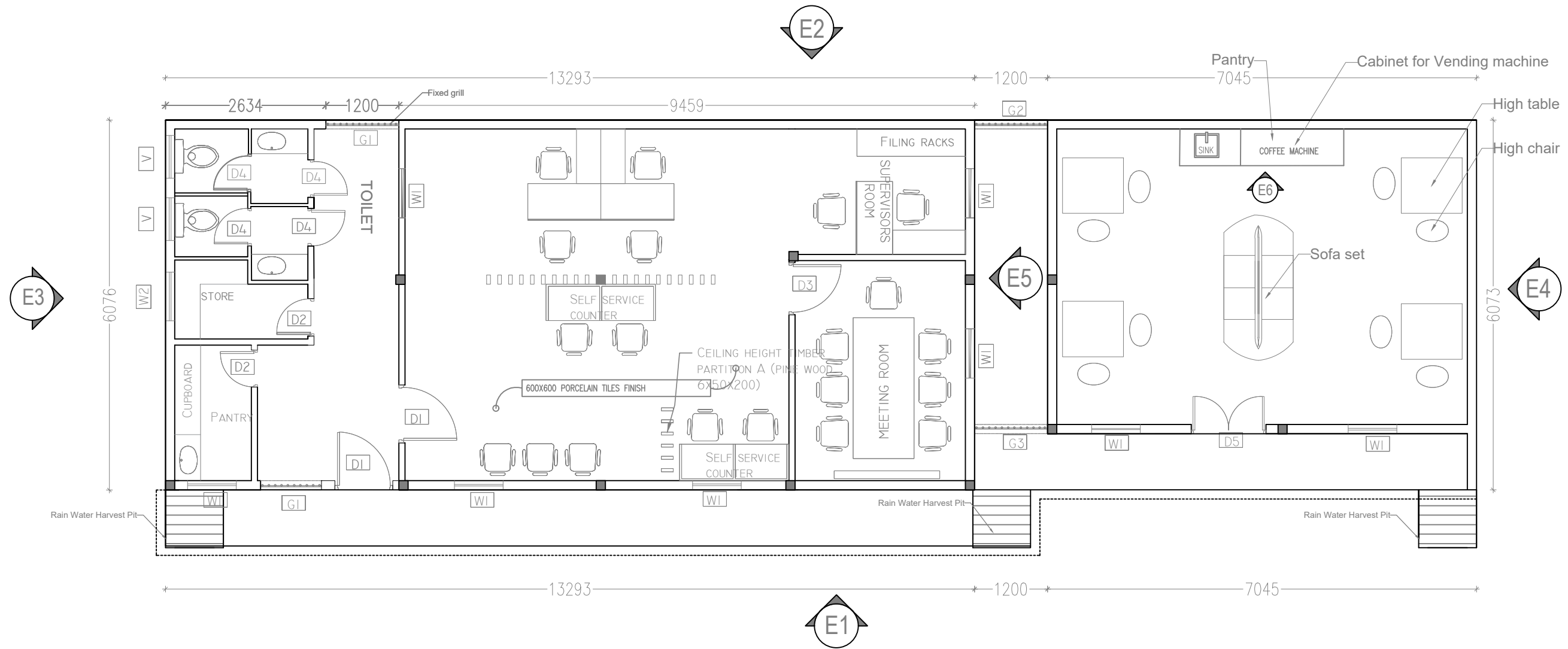
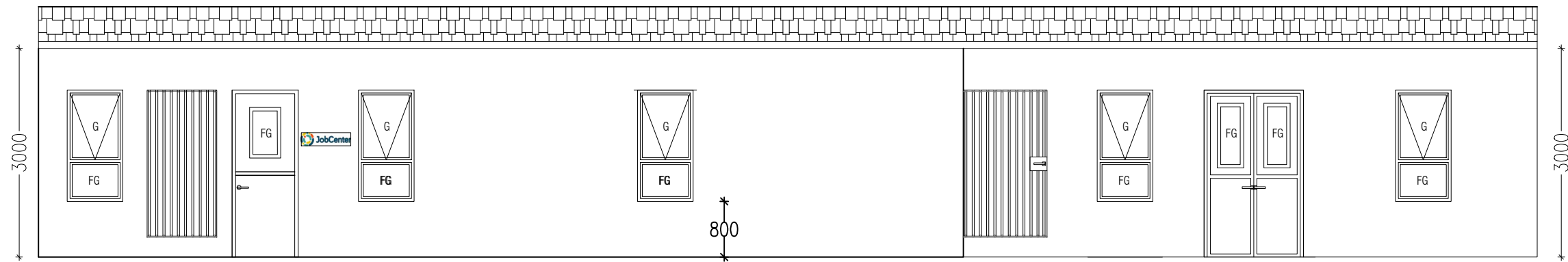


ADDU CITY JOB CENTER



ADDU CITY JOB CENTER

Scale : NTS	Date:26/04/2023
Draft concept: Job center, Addu.	
All Dimensions are in mm	

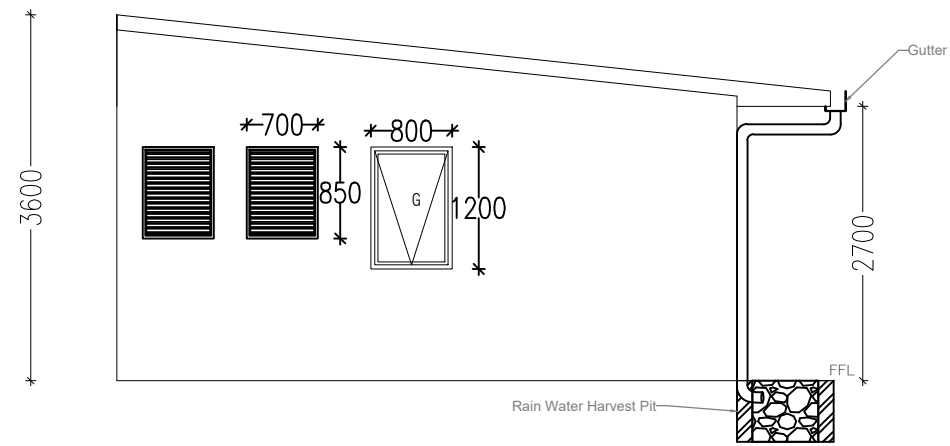


FRONT ELEVATION E1
SCALE 1:100

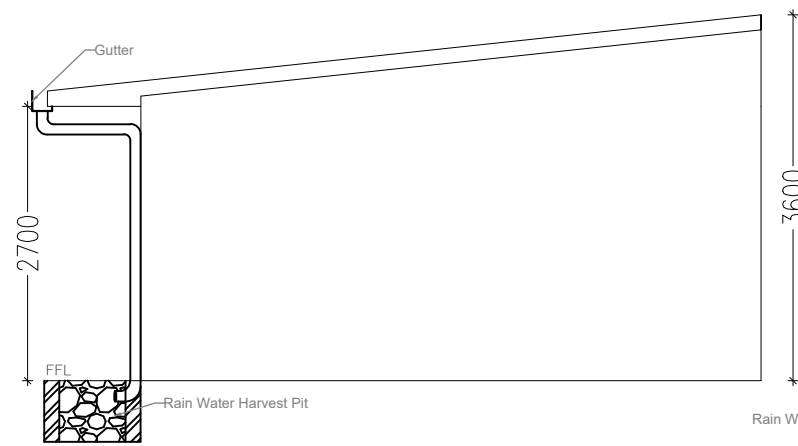


BACK ELEVATION E2
SCALE 1:100

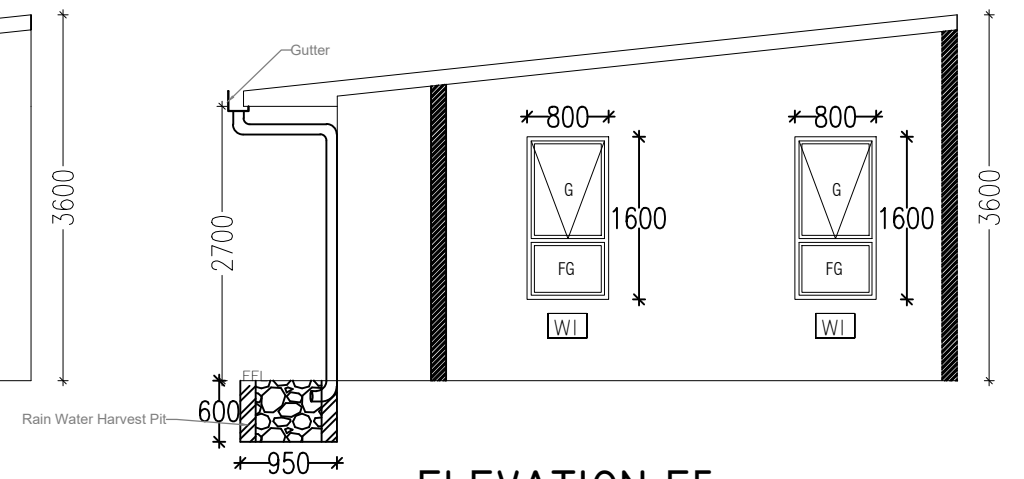
ADDU CITY JOB CENTER



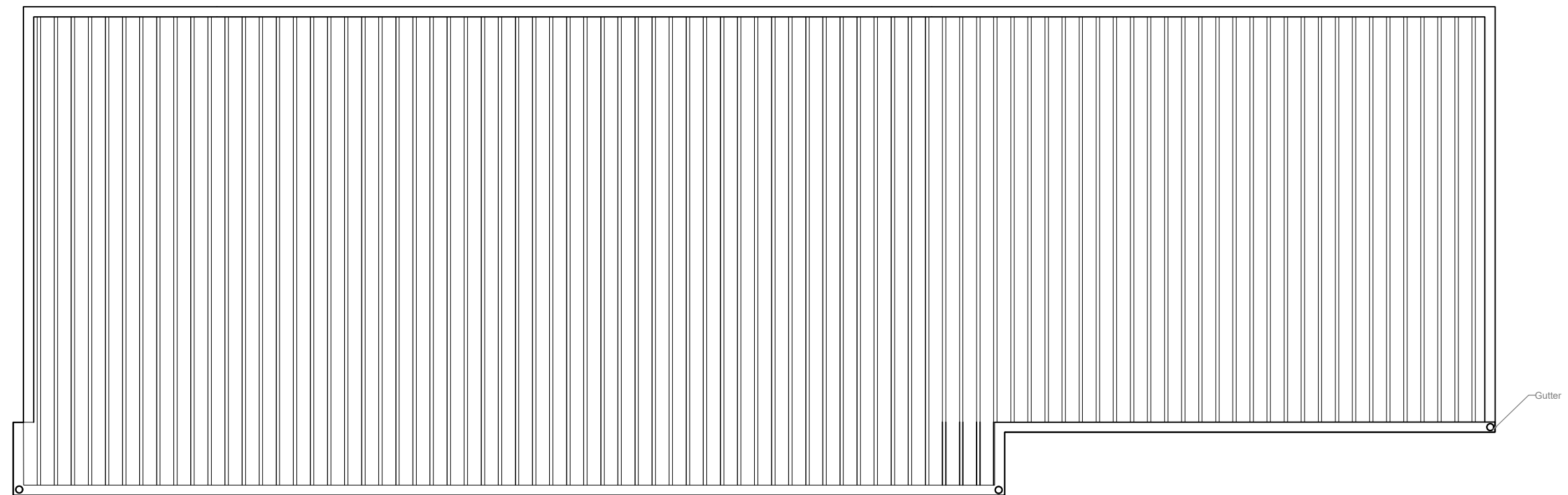
ELEVATION E3
SCALE 1:100



ELEVATION E4
SCALE 1:100

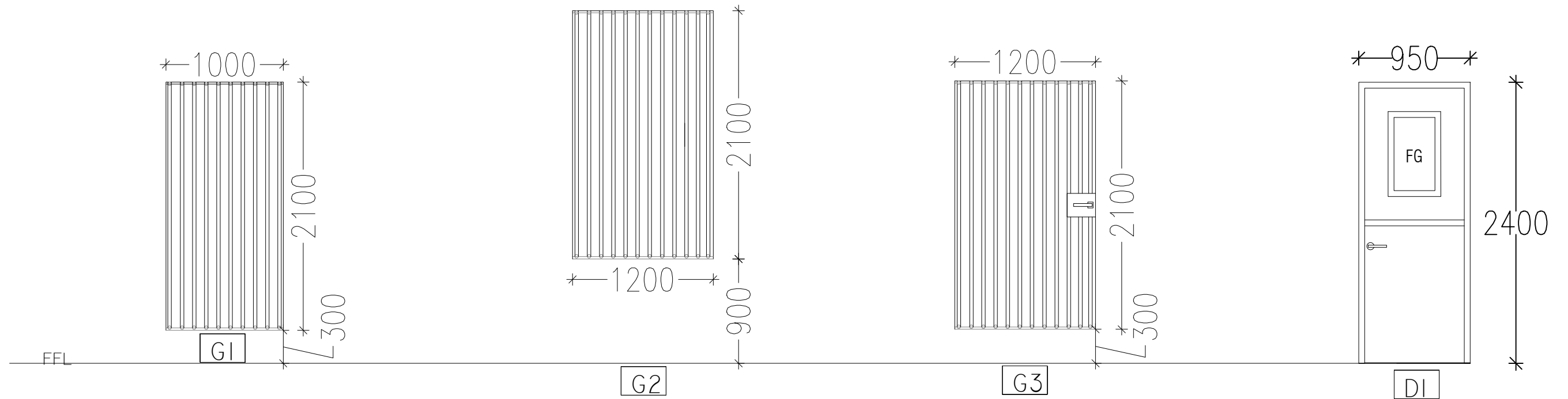


ELEVATION E5
SCALE 1:100



ROOF PLAN
SCALE 1:100

ADDU CITY JOB CENTER

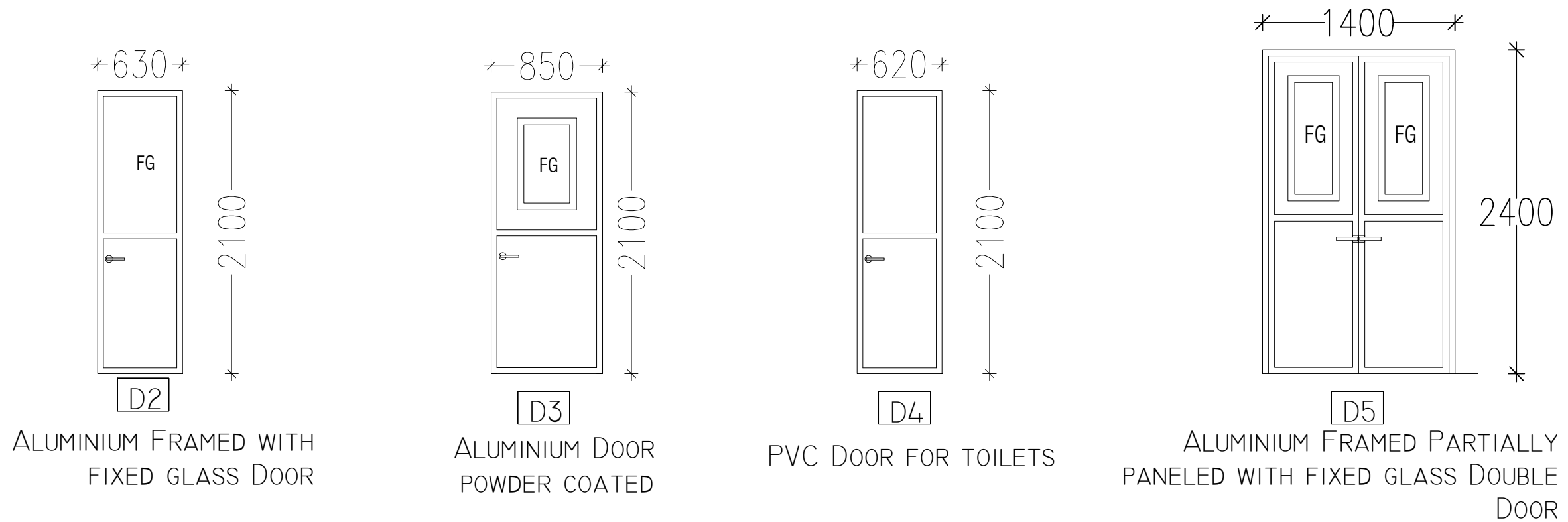


G1
FIXED GRILL USING 35MM SQUARE
STEEL TUBE 125MM C/C 40MM L
ANGLE PERIMETER

G2
FIXED GRILL USING 35MM SQUARE
STEEL TUBE 125MM C/C 40MM L
ANGLE PERIMETER

G3
HINGED GRILL GATE USING 35MM
SQUARE STEEL TUBE 125MM C/C
40MM L ANGLE PERIMETER

D1
ALUMINIUM FRAMED
PARTIALLY PANELED WITH
FIXED GLASS SINGLE DOOR

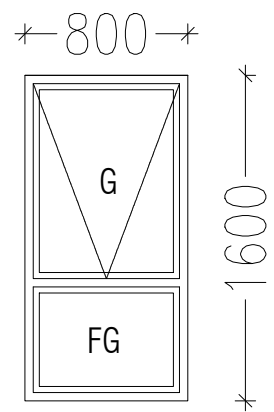


D2
ALUMINIUM FRAMED WITH
FIXED GLASS DOOR

D3
ALUMINIUM DOOR
POWDER COATED

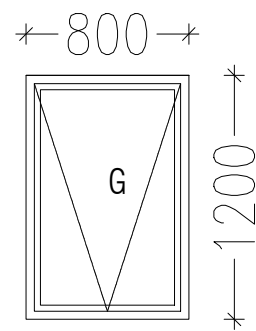
D4
PVC DOOR FOR TOILETS

D5
ALUMINIUM FRAMED PARTIALLY
PANELED WITH FIXED GLASS DOUBLE
DOOR



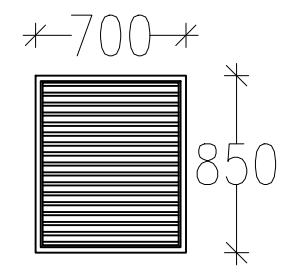
W1

ALUMINUM FRAMED TOP HUNG
AWNING WINDOW



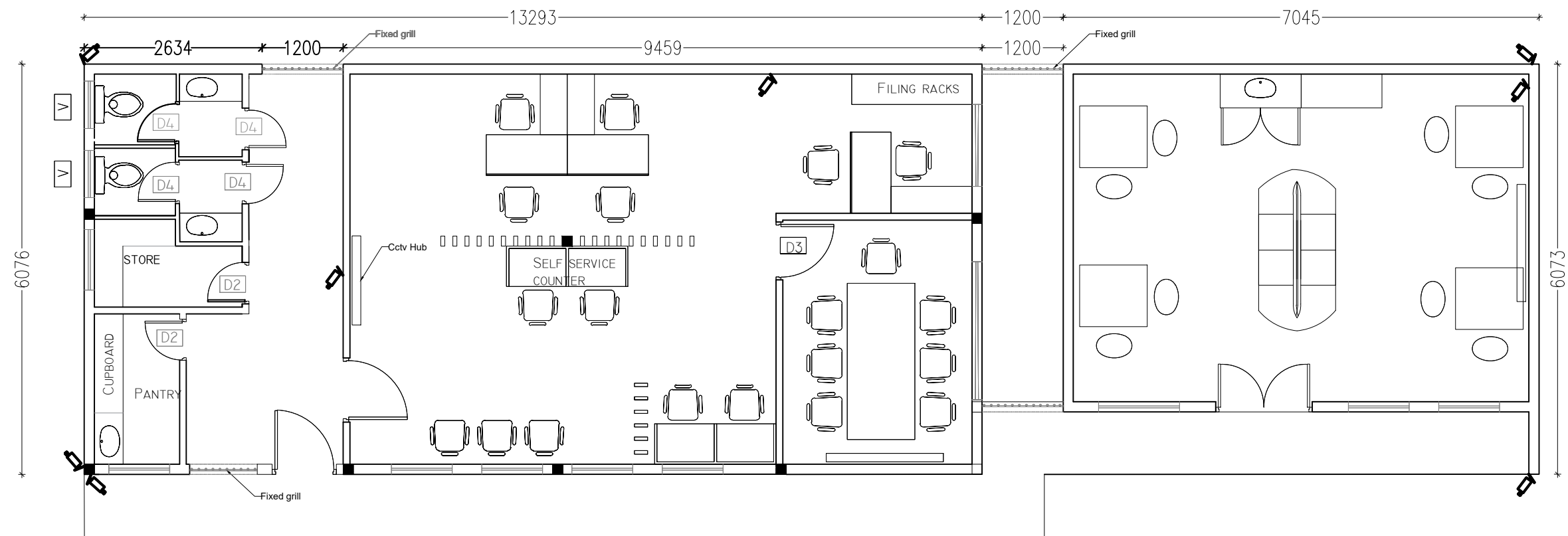
W2

ALUMINUM FRAMED TOP HUNG
AWNING WINDOW



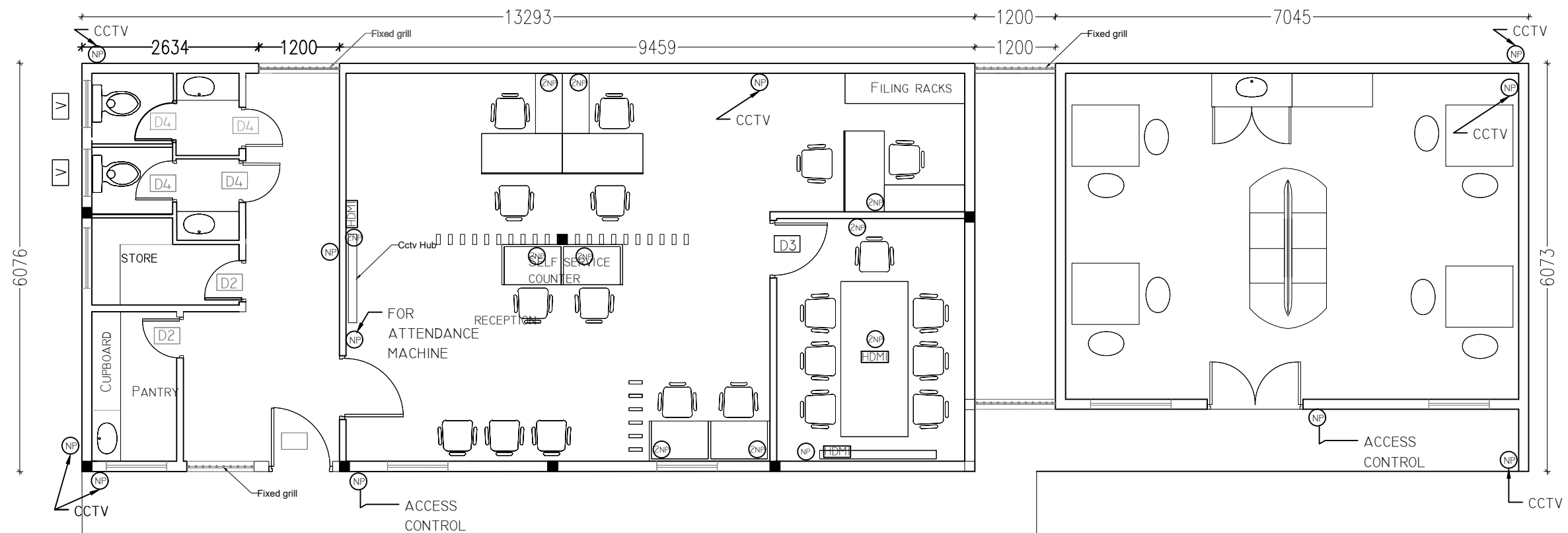
V

ALUMINUM FRAMED LOUVER
WINDOW



-  CCTV
-  NETWORK POINT FOR CCTV [ASLO SHOWN IN NETWORK LAYOUT]

CCTV LAYOUT
SCALE 1:100



⊗ 2 GANG NETWORK POINTS (FOR PC/TV) [TOTAL: 10]

⊙ NETWORK POINT FOR ACCESS CONTROL/ATTENDANCE [TOTAL: 03]

⊙ NETWORK POINT FOR CCTV [TOTAL: 08]

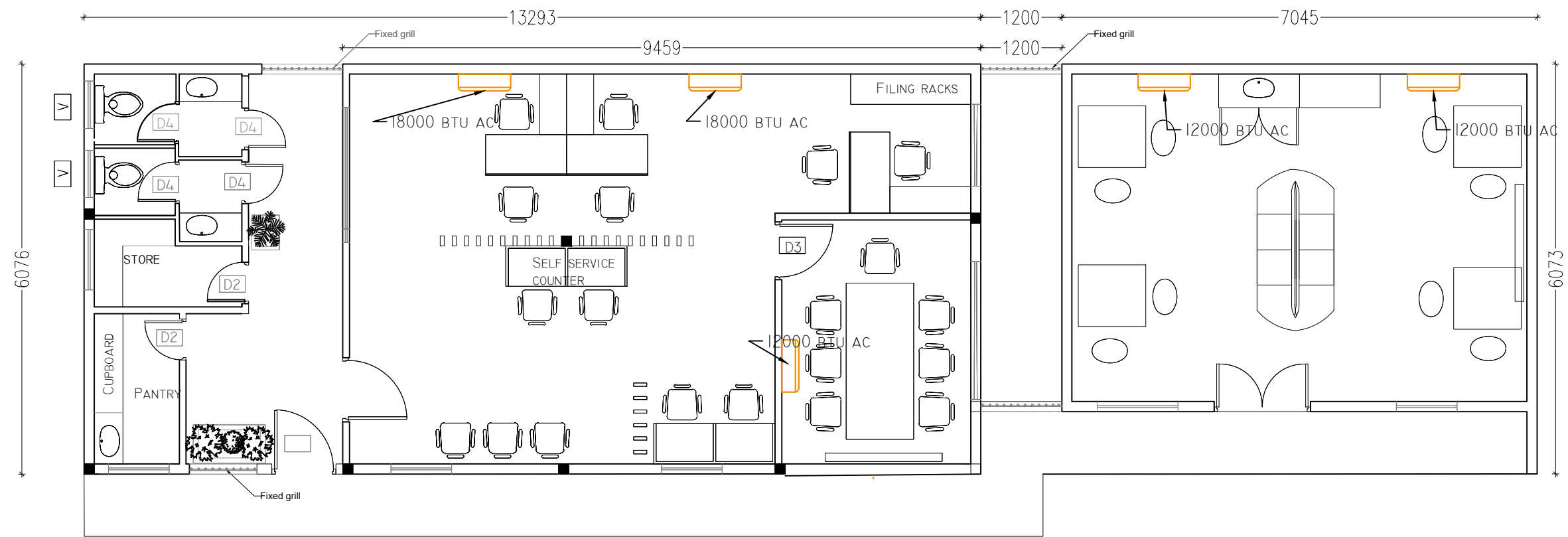
⊠ HDMI POINT [TOTAL: 03]

NOTE: LEVEL OF PLACING THE NETWORK POINT DEPEND OF THE FUNCTIONALITY

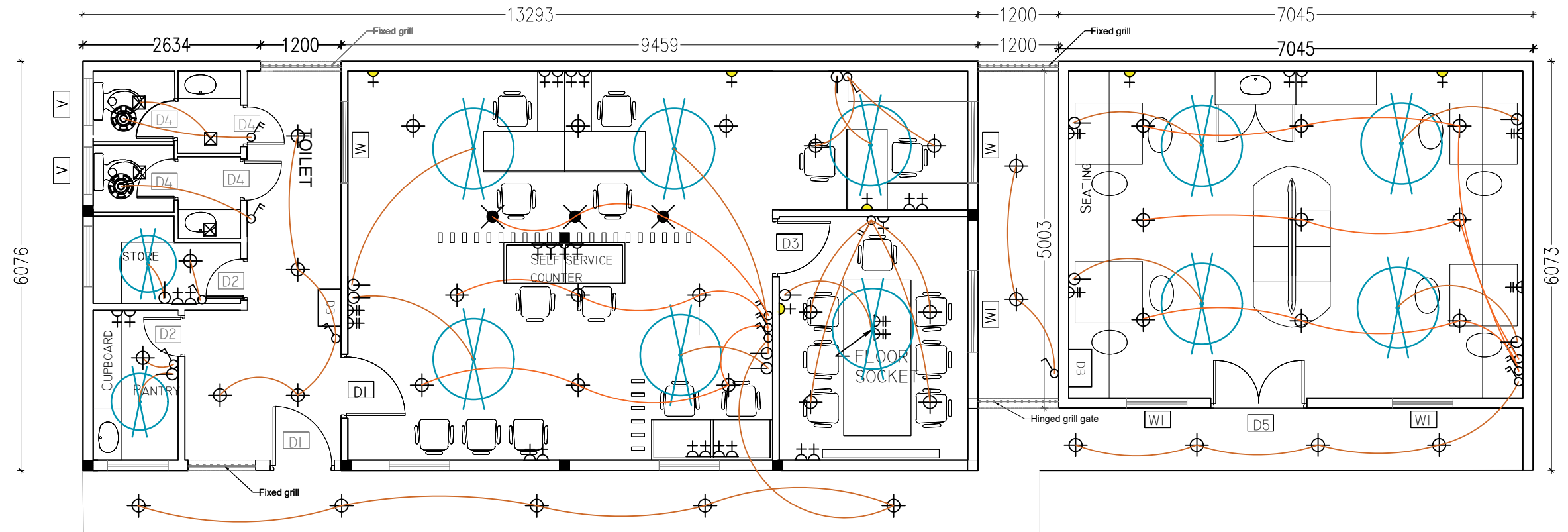
NETWORK LAYOUT

SCALE 1:100

ADDU CITY JOB CENTER



AC LAYOUT
SCALE 1:100



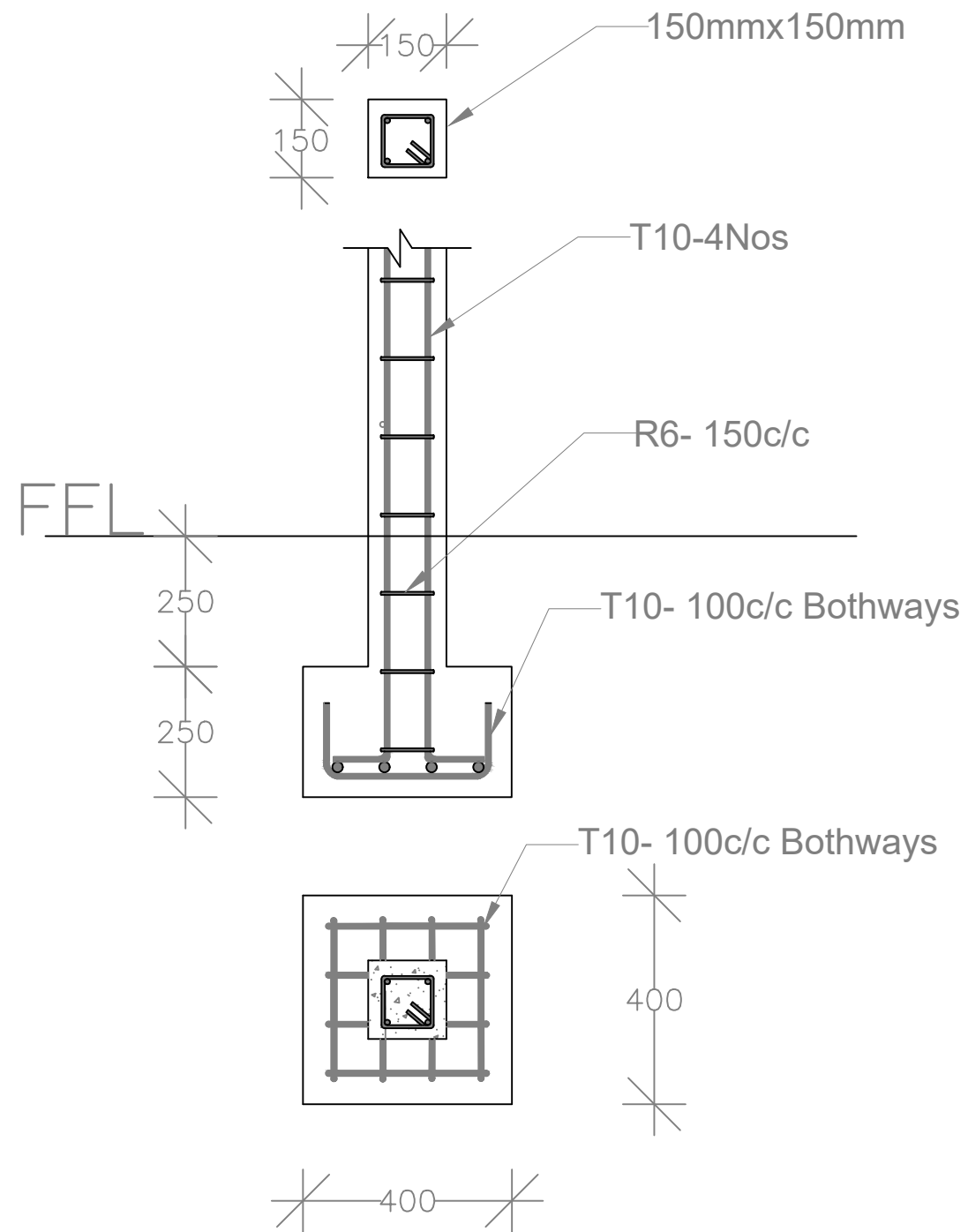
- D+ 1 GANG 13A SOCKET OUTLET (24)
- D# 2 GANG 13A SOCKET OUTLET (8)
- ⚡ 1 GANG 15A SOCKET OUTLET FOR AC (5)
- DB DISTRIBUTION BOARD (2)

- LEGEND**
- ☼ CEILING MOUNT SPOTLIGHT (3)
 - ⊙ CEILING RECESSED LIGHT (45)
 - ☒ CEILING RECESSED LIGHT (TOILETS) (4)
 - ⊙ EXHAUST FAN

- LEGEND**
- ♂ SINGLE GANG SWITCH (4)
 - ♂ DOUBLE GANG SWITCH (10)
 - ♂ TRIPLE GANG SWITCH (0)
 - ⊕ DIMMER SWITCH (12)

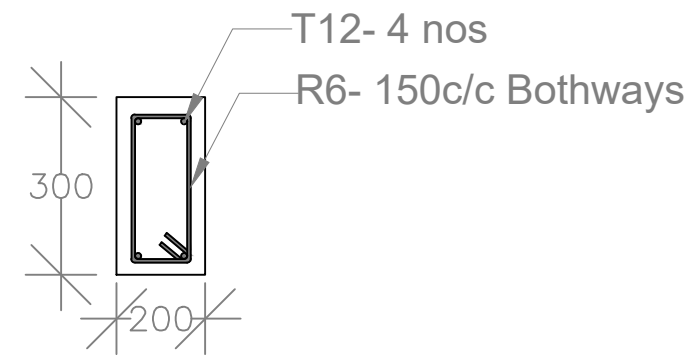
- ⊙ CEILING FAN (10)
- ⊙ MINI CEILING FAN (2)

ELECTRICAL LAYOUT
SCALE 1:100



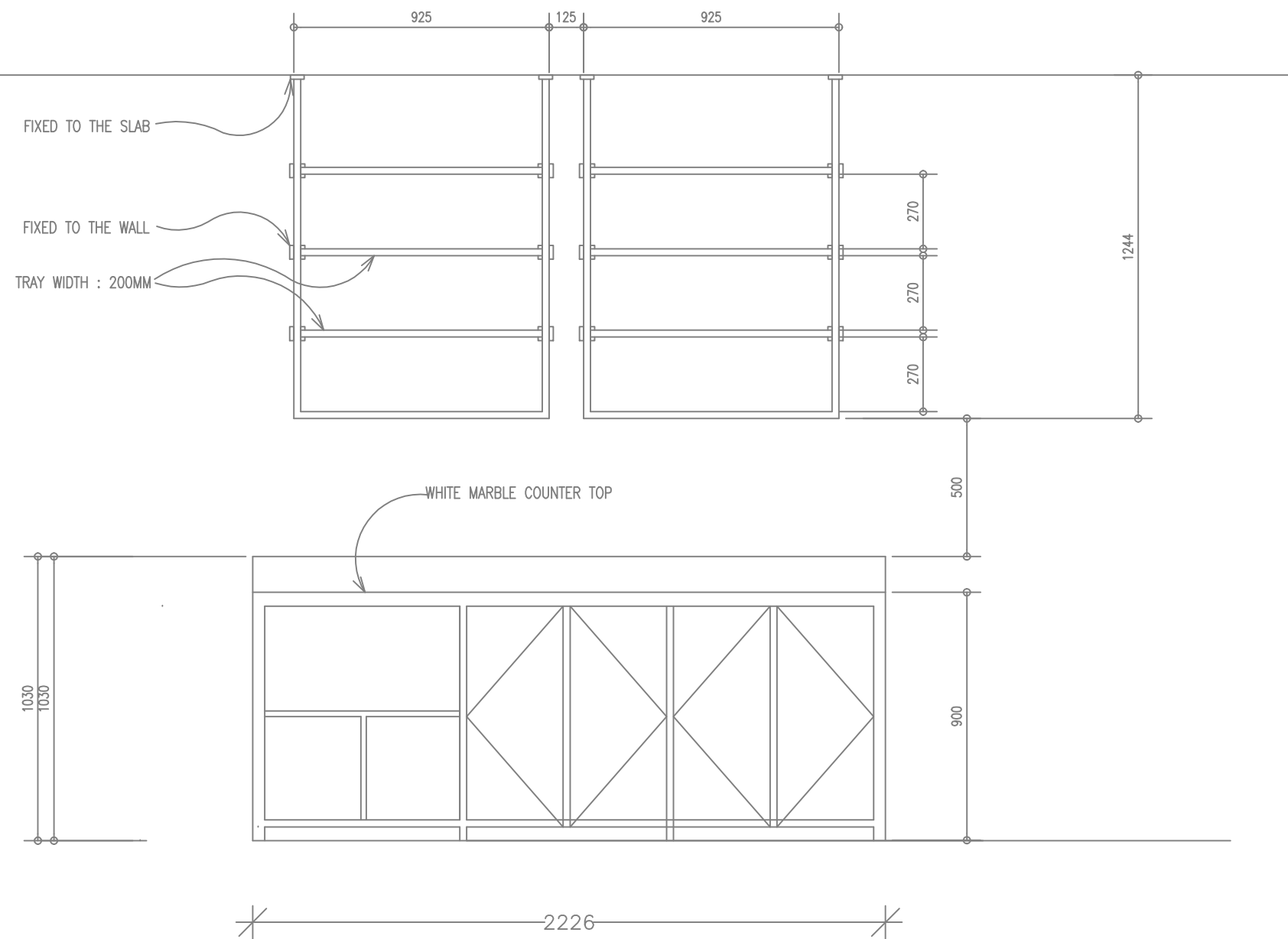
Footing and column details

SCALE 1:100

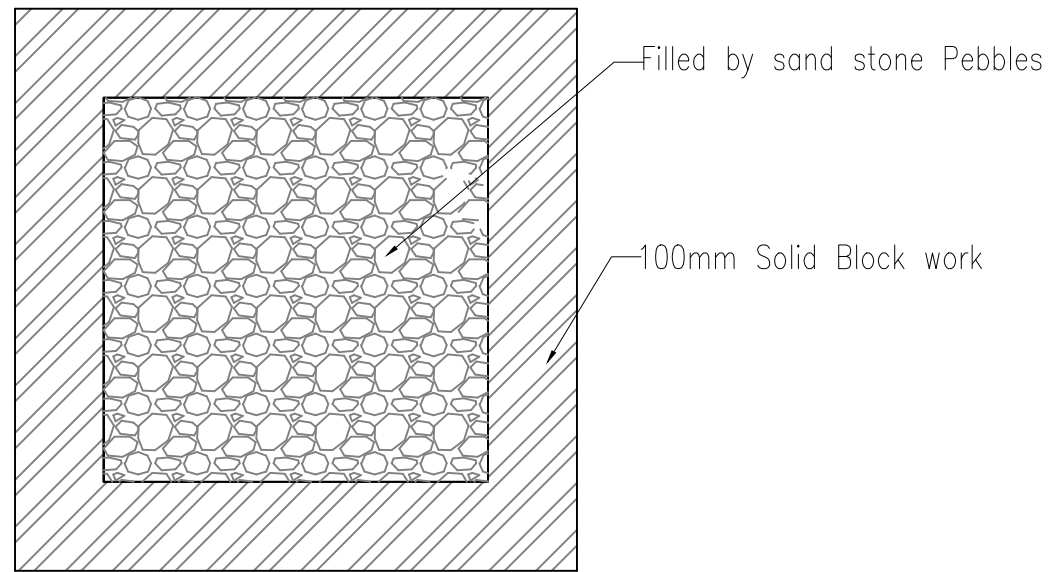


Plinth Beam details

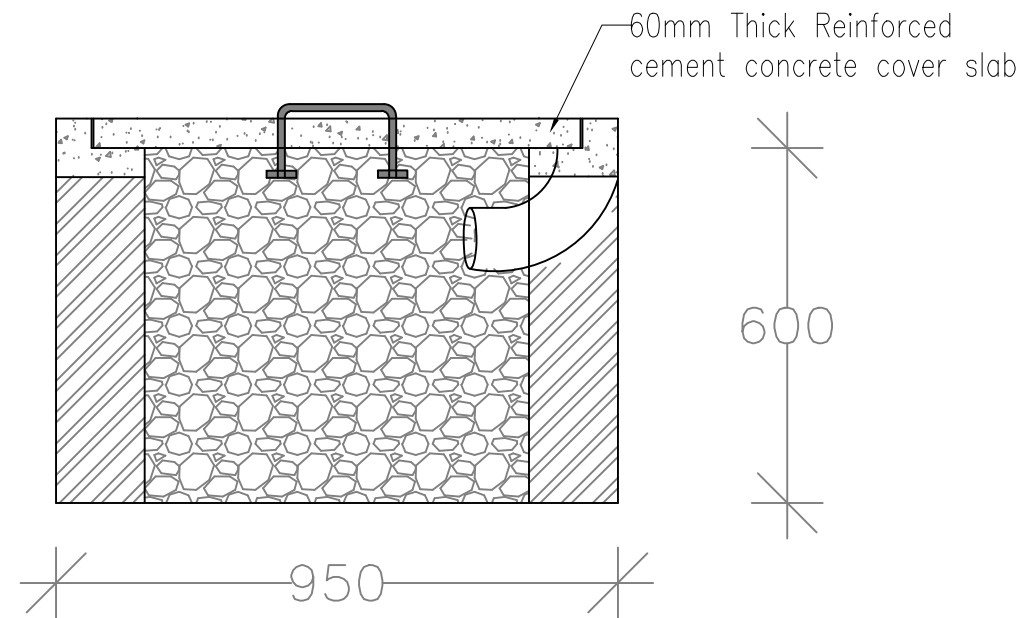
ADDU CITY JOB CENTER



ELEVATION - E6
SCALE 1:100



Plan



Cross section

Rain Water Harvest Pit details