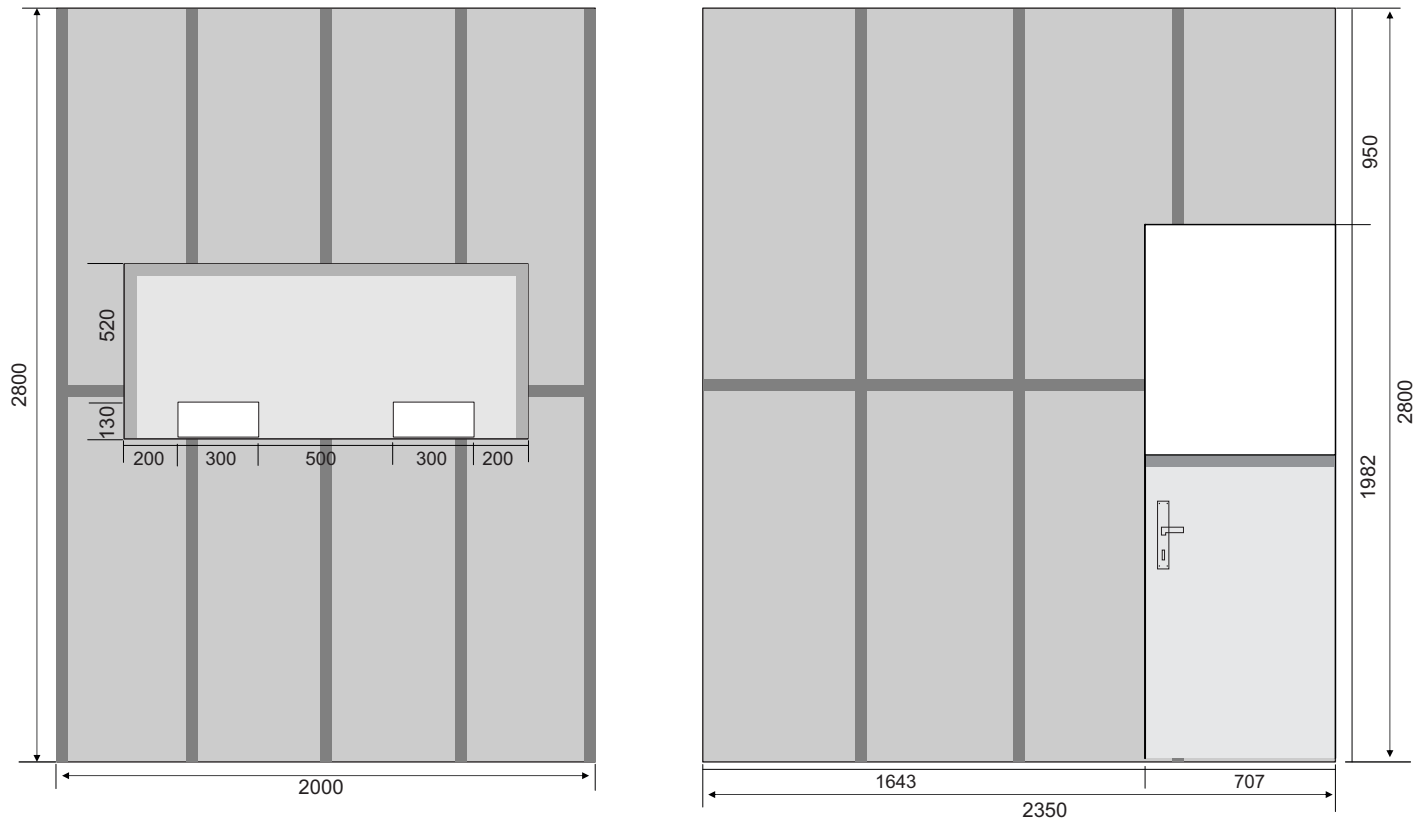


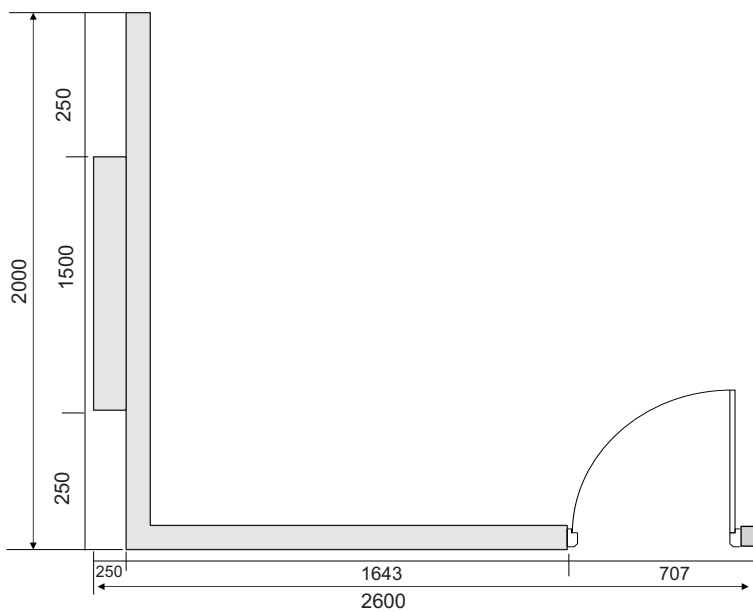
Kulhudhuffushi Regional Hospital

Partition

Front and side view

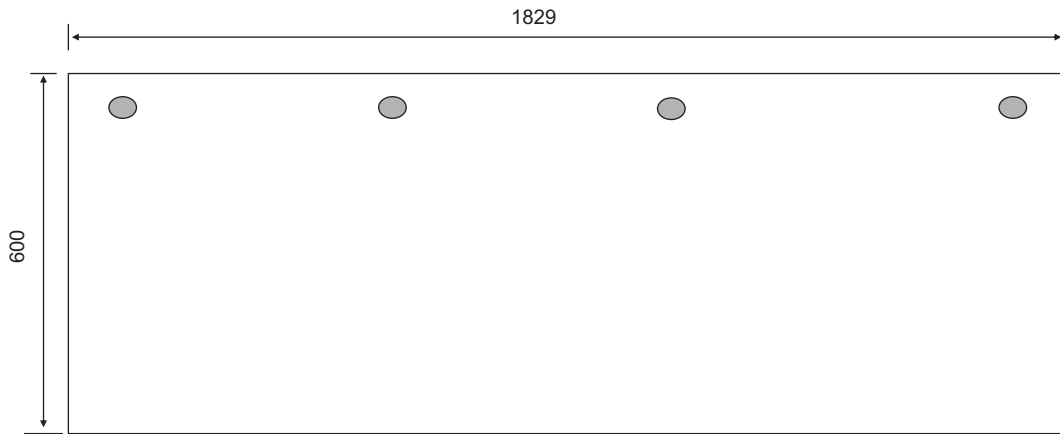


Top view

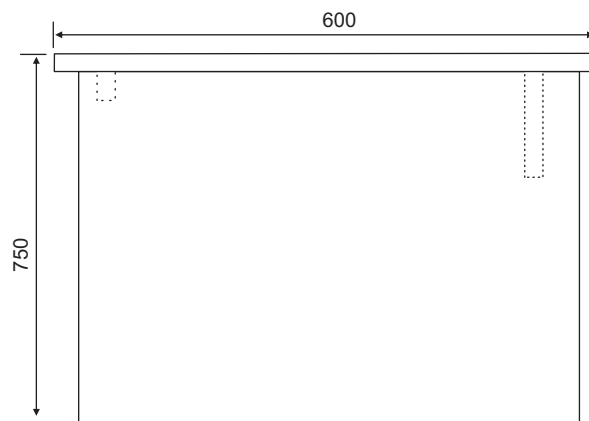
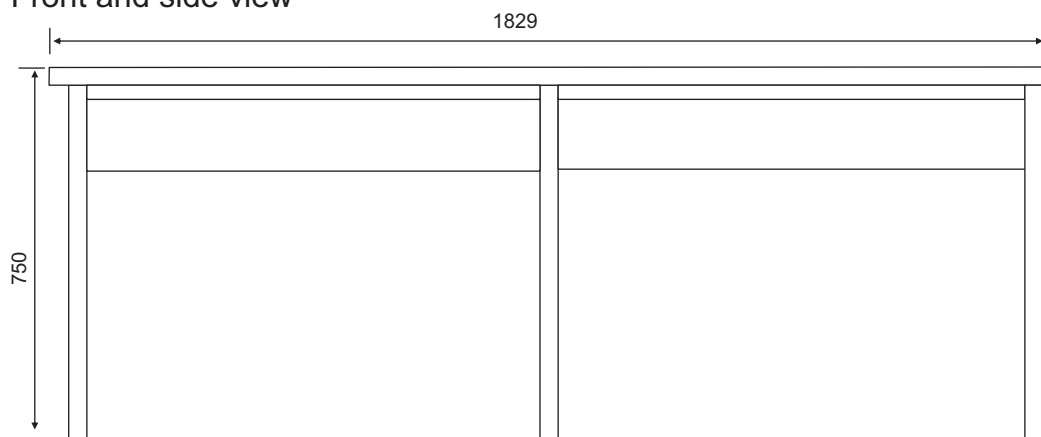


Table

Top view



Front and side view



Kulhudhuffushi Regional Hospital

DOORS AND WINDOWS SCHEDULE

SYMBOL	D1	D2	Partition door
ELEVATION			
DESCRIPTION	40MM THICK OPENABLE ALUMINUM DOOR	40MM THICK OPENABLE ALUMINUM FRAMED DOOR	40MM THICK OPENABLE ALUMINUM FRAMED DOOR
FRAME	120MM ALUMINUM FRAME 80 MICRON WHITE POWDER COATED	120MM ALUMINUM FRAME 80 MICRON WHITE POWDER COATED	120MM ALUMINUM FRAME 80 MICRON WHITE POWDER COATED
HARDWARE	DOOR CLOSER HANDLE LOCK BUTT HINGE STOPPER HOLDER KICKER	DOOR CLOSER×2 LOCK×2 BUTT HINGE STOPPER HOLDER KICKER	DOOR CLOSER×2 HANDLE LOCK BUTT HINGES KICKER

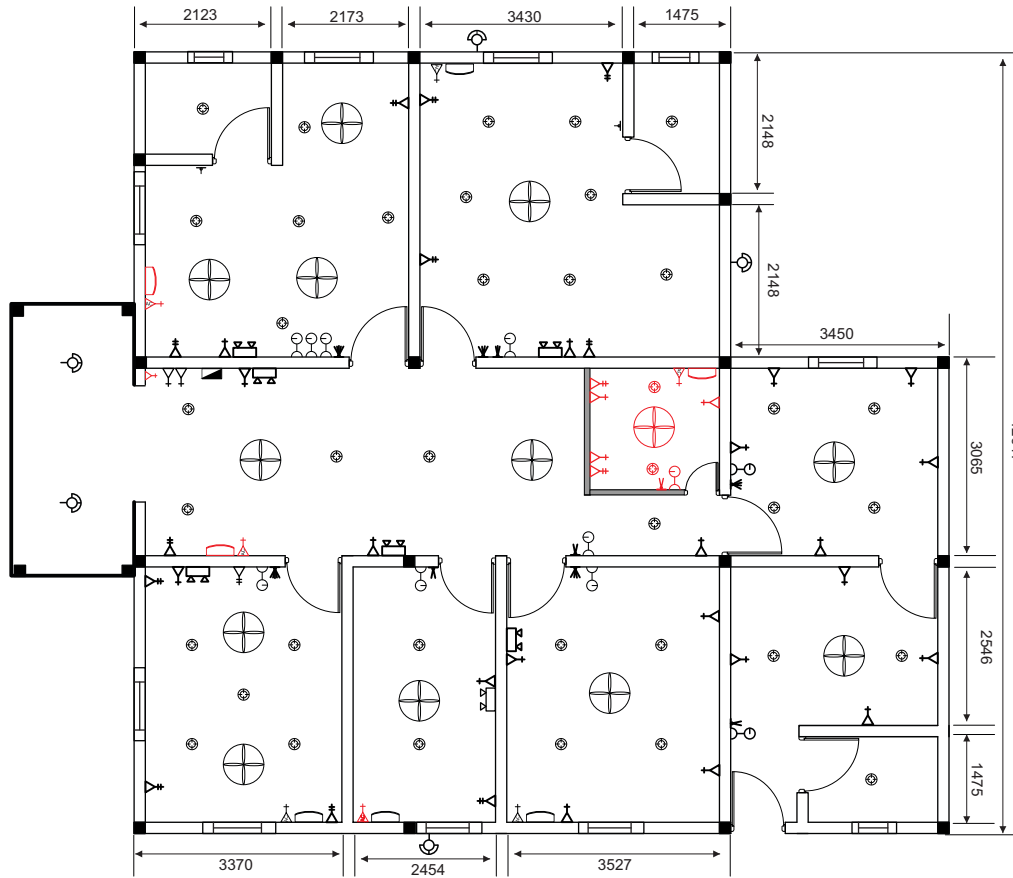
ALL MEASUREMENTS TO BE CHECKED ON SITE BEFORE FABRICATION

GL = 5MM CLEAR GLASS

CL = CLADDING SHEET, WHITE POWDER COATED ON BOTH SIDE.

Kulhudhuffushi Regional Hospital

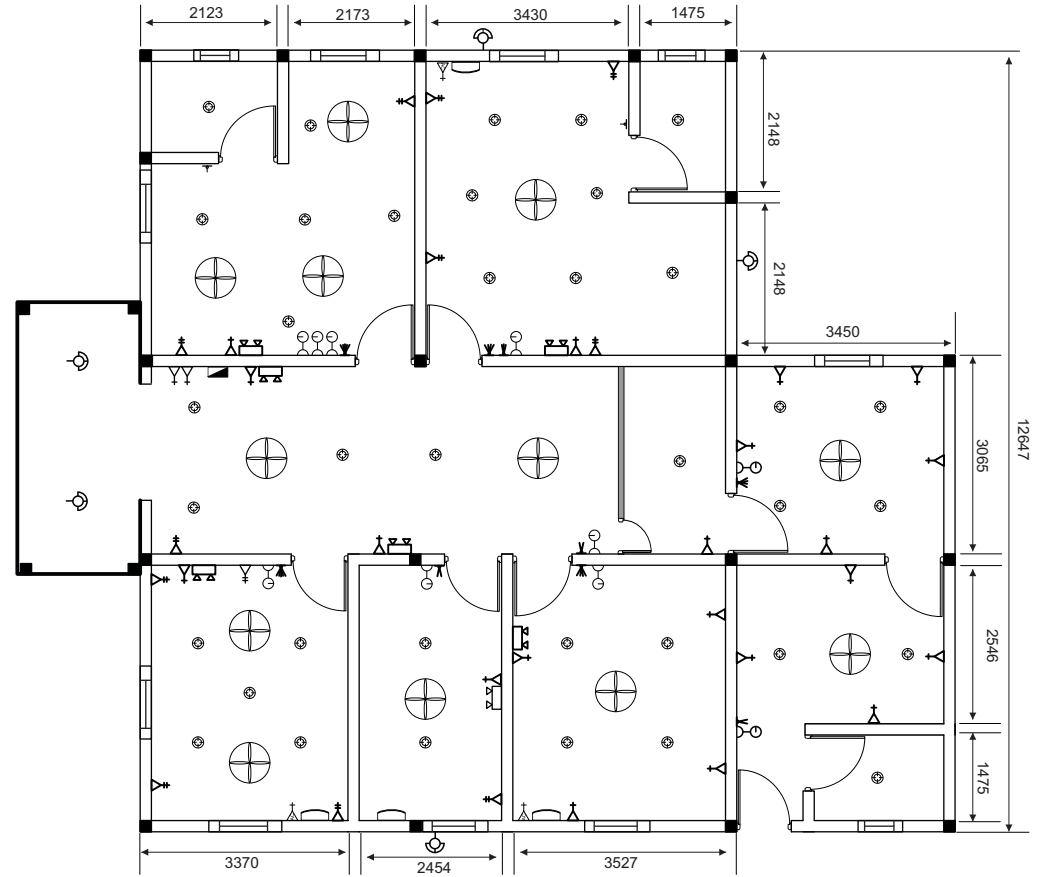
Proposed drawing



LEGEND

SYMBOL	DESCRIPTION
	LED BULB WITH 150MM DOWN LIGHT
	2 x 13 AMP SOCKET OUTLET (600MM ABOVE FFL)
	1 x 15 AMP AC SOCKET OUTLET (300MM BLW, CEILING)
	SWITCH
	EMERGENCY LIGHT
	EXISTING WALL
	WOODEN PARTITION

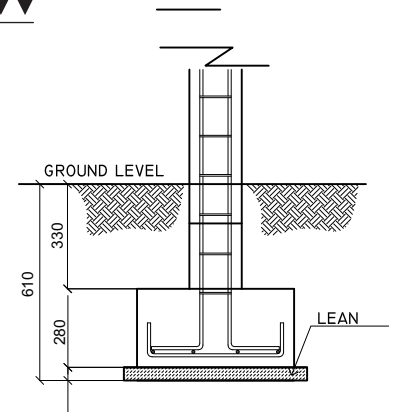
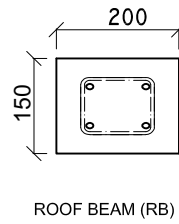
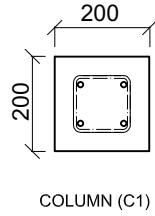
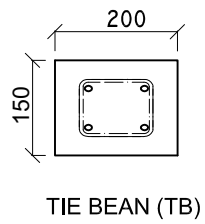
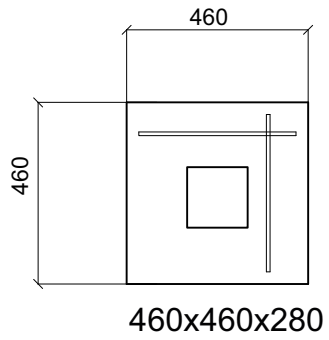
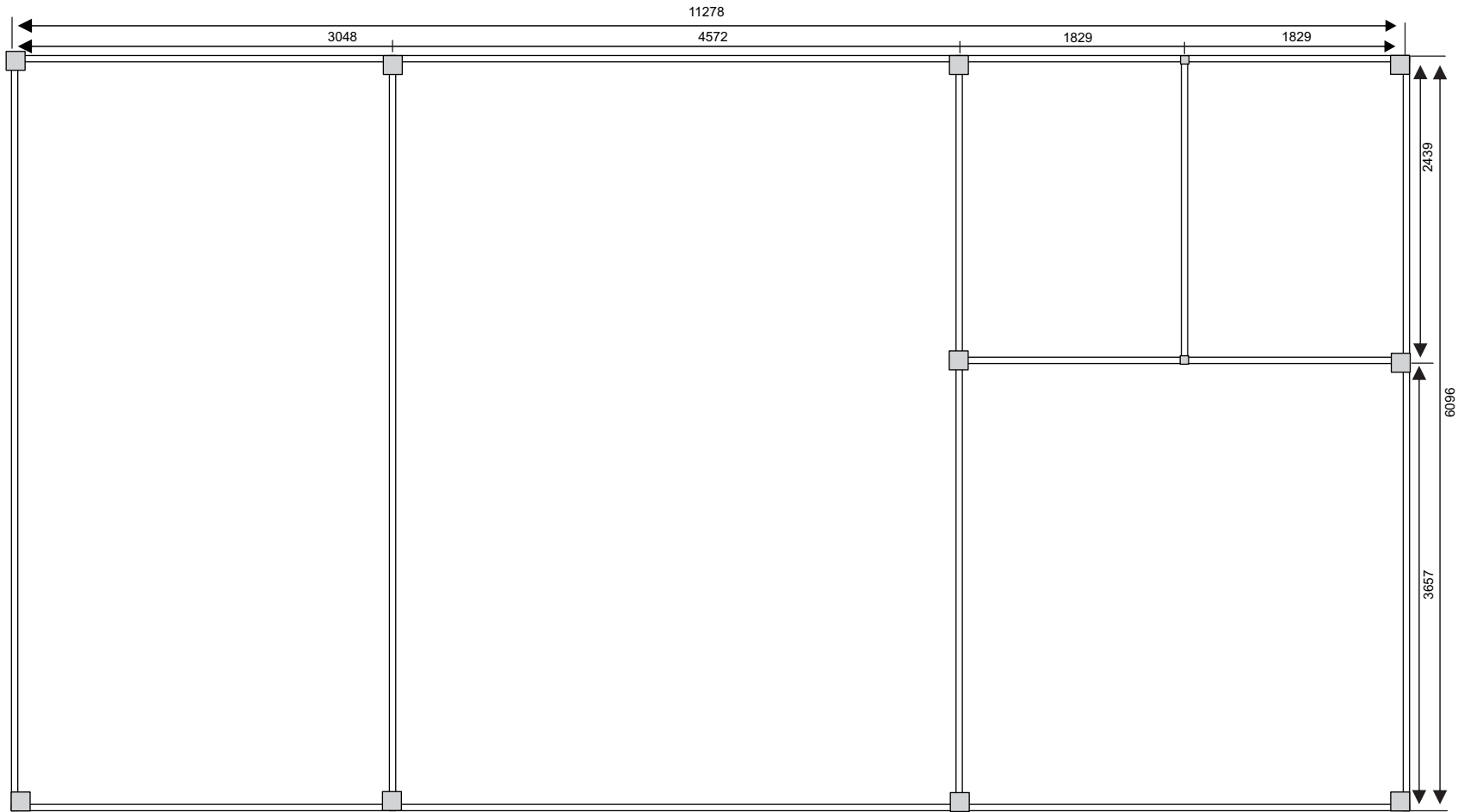
Existing drawing



LEGEND

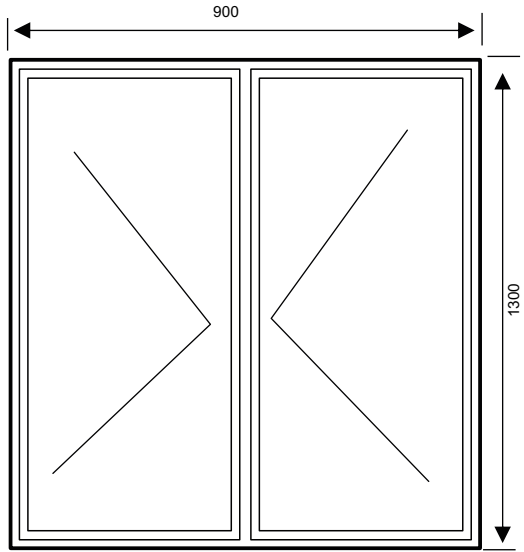
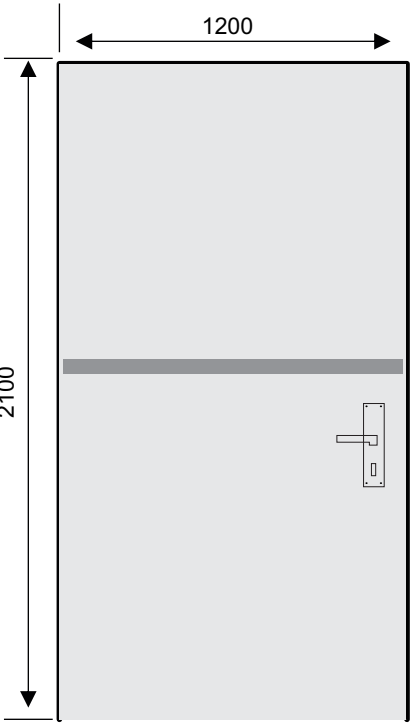
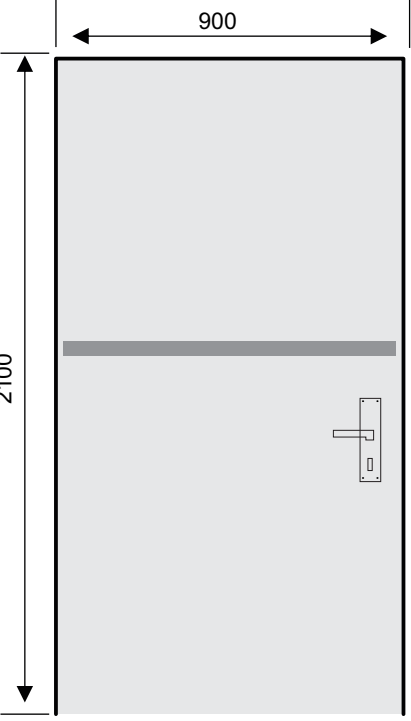
SYMBOL	DESCRIPTION
	OUT DOOR LIGHT
	FAN DIMMER
	FAN
	AIR CONDITION
	DISTRIBUTION BOARD (WALL EMBEDDED)

Column and Tie beam plan



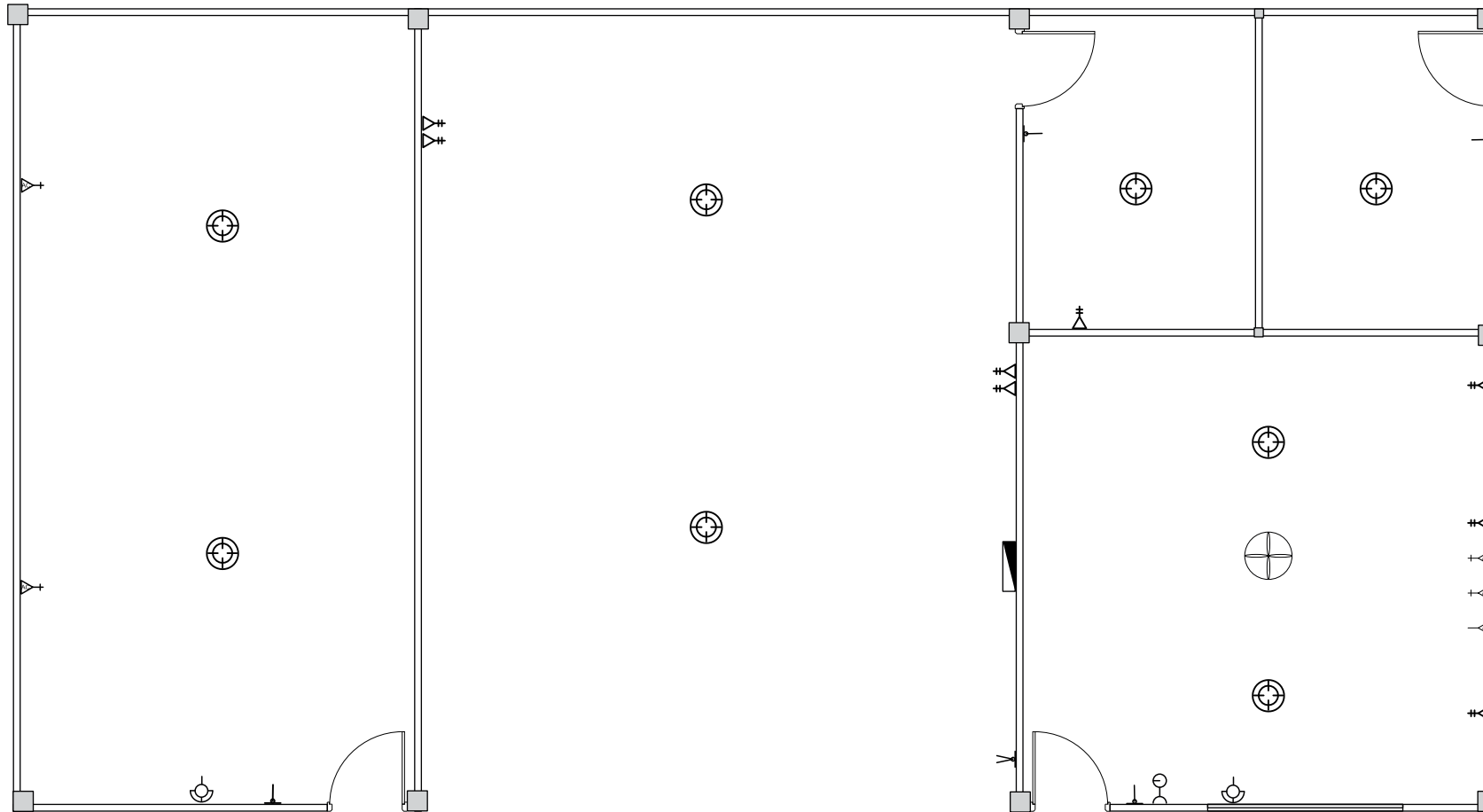
Kulhudhuffushi Regional Hospital

DOORS SCHEDULE

SYMBOL	W1	D1	D2
ELEVATION			
	40mm thick aluminium framed door	40mm thick aluminium framed door	40mm thick aluminium framed door
	120mm aluminium fram 80 micro white powder coated	120mm aluminium fram 80 micro white powder coated	120mm aluminium fram 80 micro white powder coated
	5mm clear glass	Lock, door clooser	Lock, door clooser

Kulhudhuffushi Regional Hospital

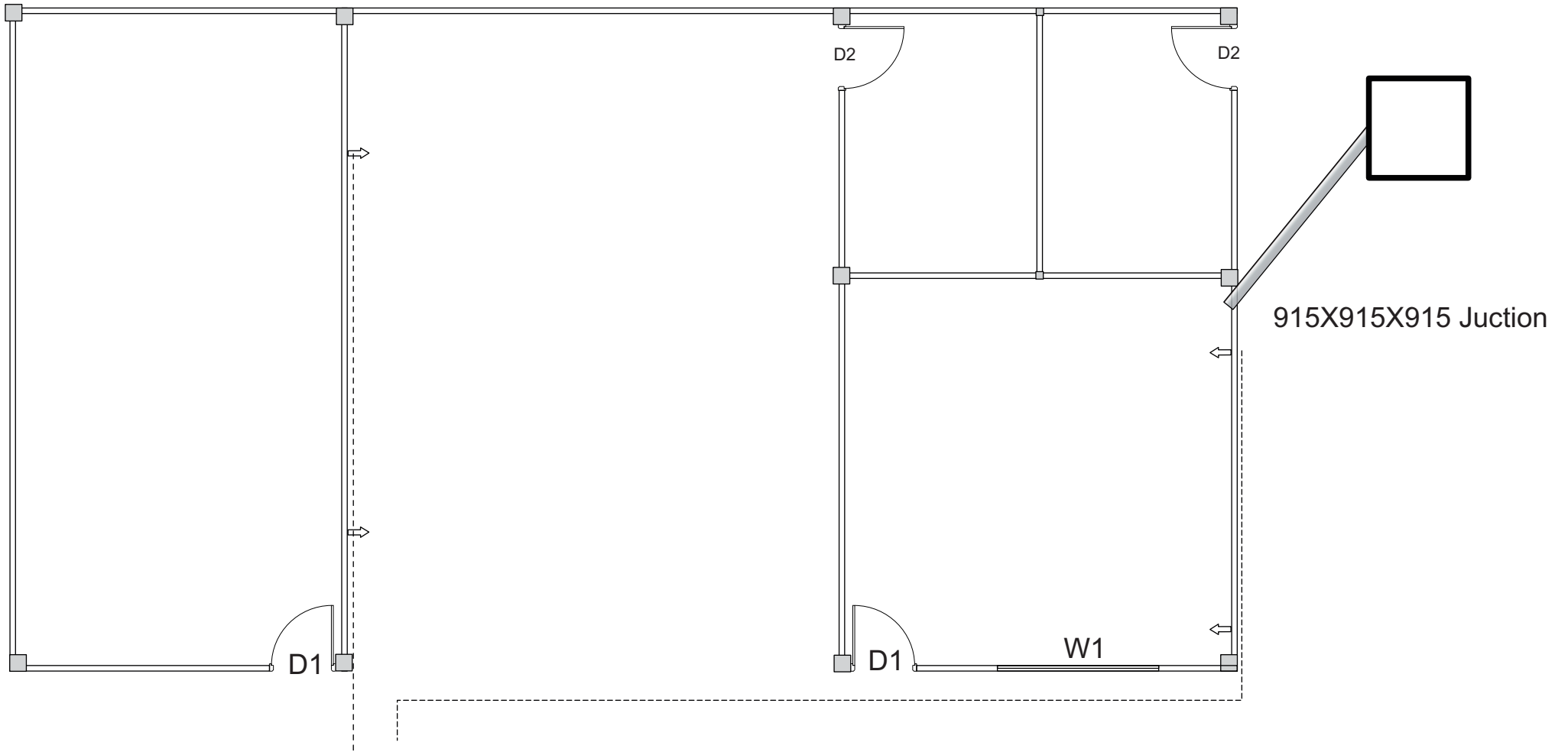
Electricity



LEGEND

SYMBOL	DESCRIPTION
	LED BULB WITH 150MM DOWN LIGHT
	2x13AMP SOCKET OUTLET (1220MM ABOVE FL)
	1 x 15 AMP AC SOCKET OUTLET (300MM BLW, CEILING)
	DISTRIBUTION BOARD (WALL EMBEDDED)
	TWO GANG SWITCH
	OUT DOOR LIGHT
	FAN DIMMER
	FAN
	WATER OUTLET

Kulhudhuffushi Regional Hospital



Kulhudhuffushi Regional Hospital

Roofing

