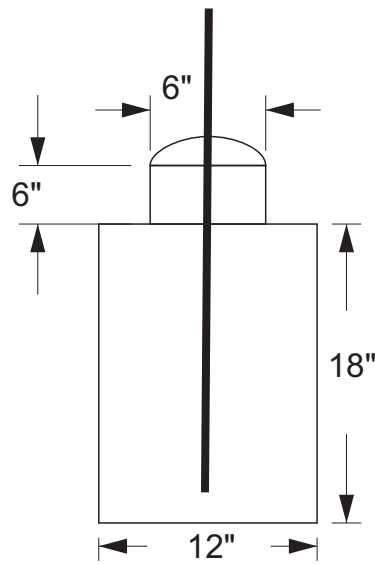
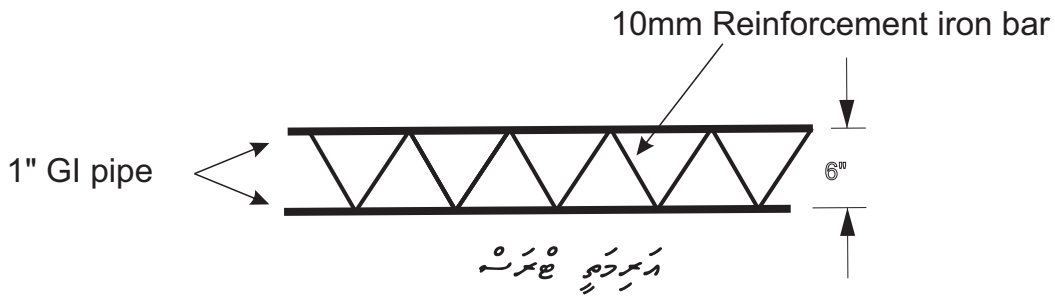
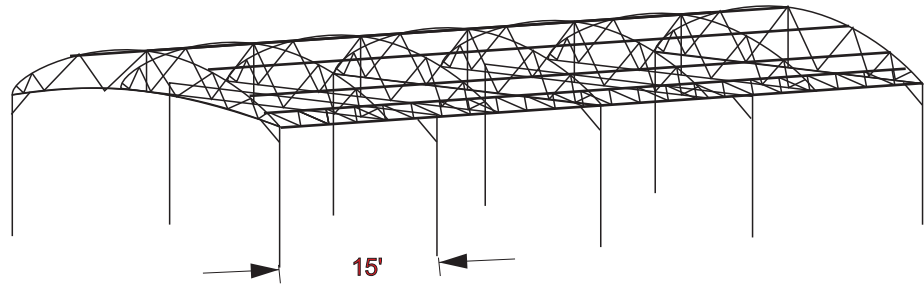
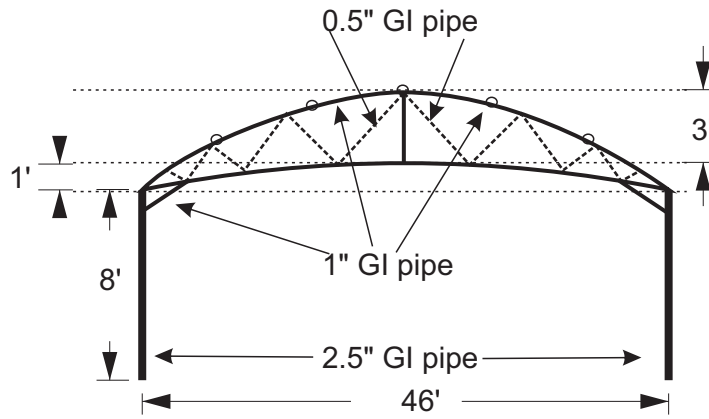
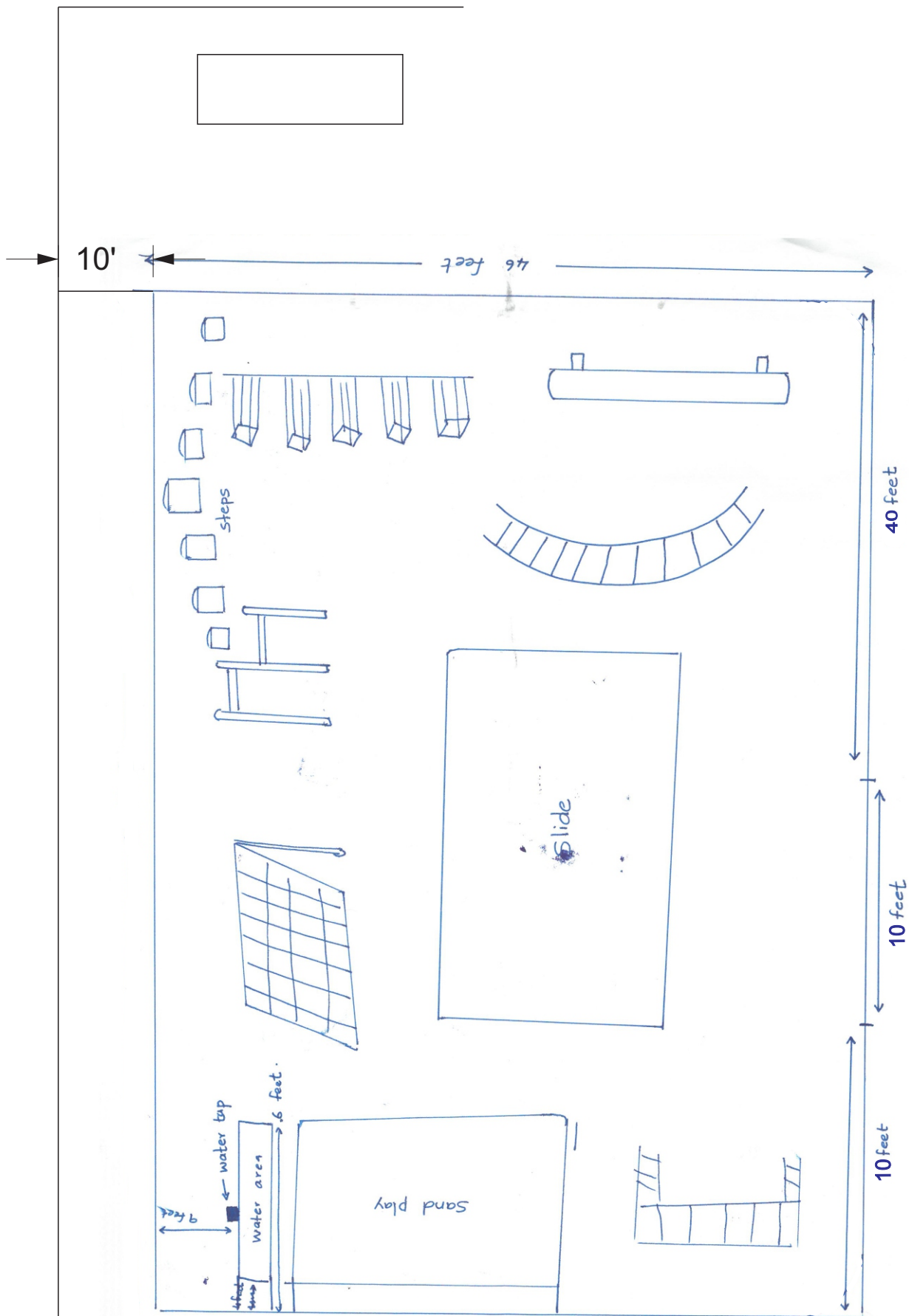


1





10'

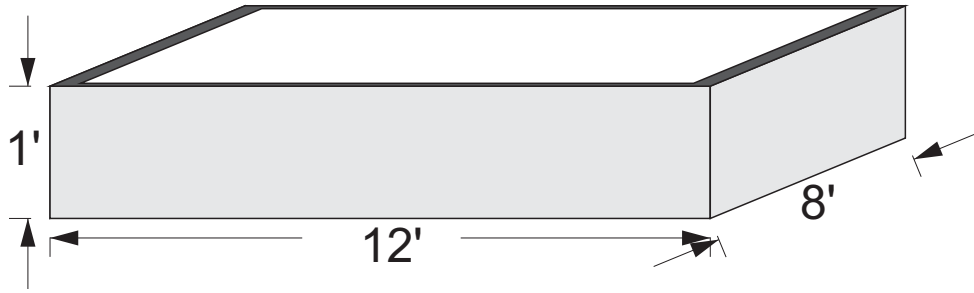
46 feet

40 feet

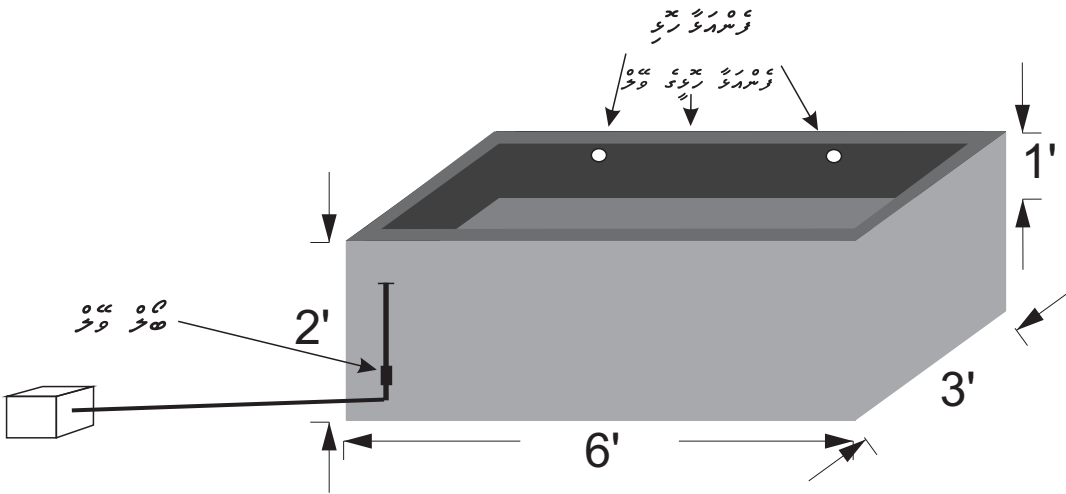
10 feet

10 feet

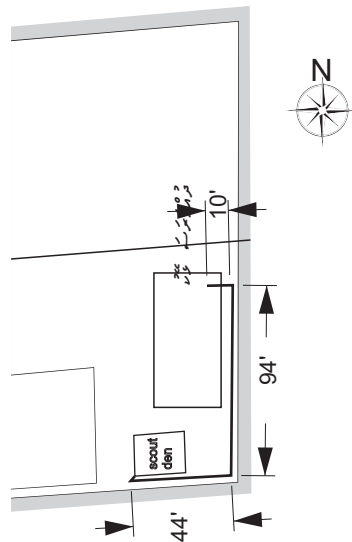
3

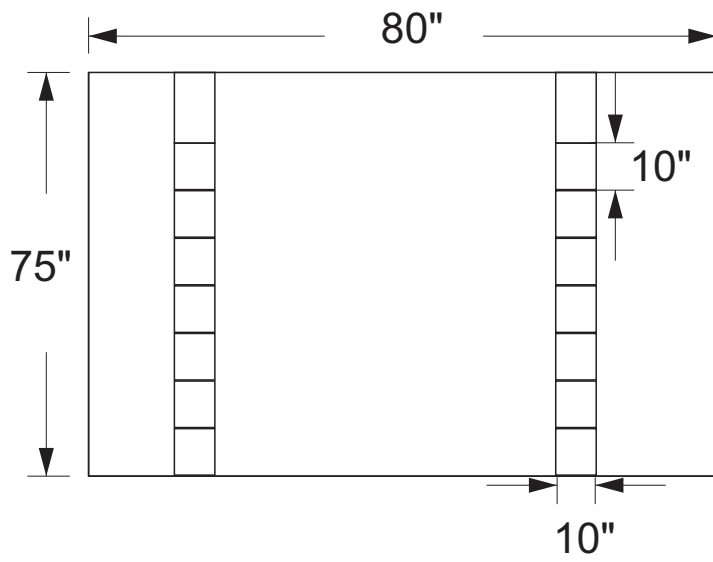
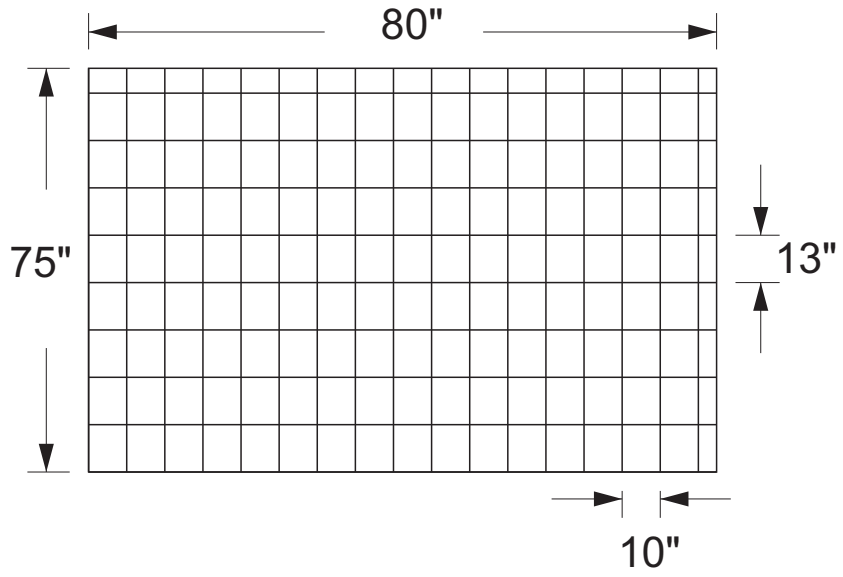


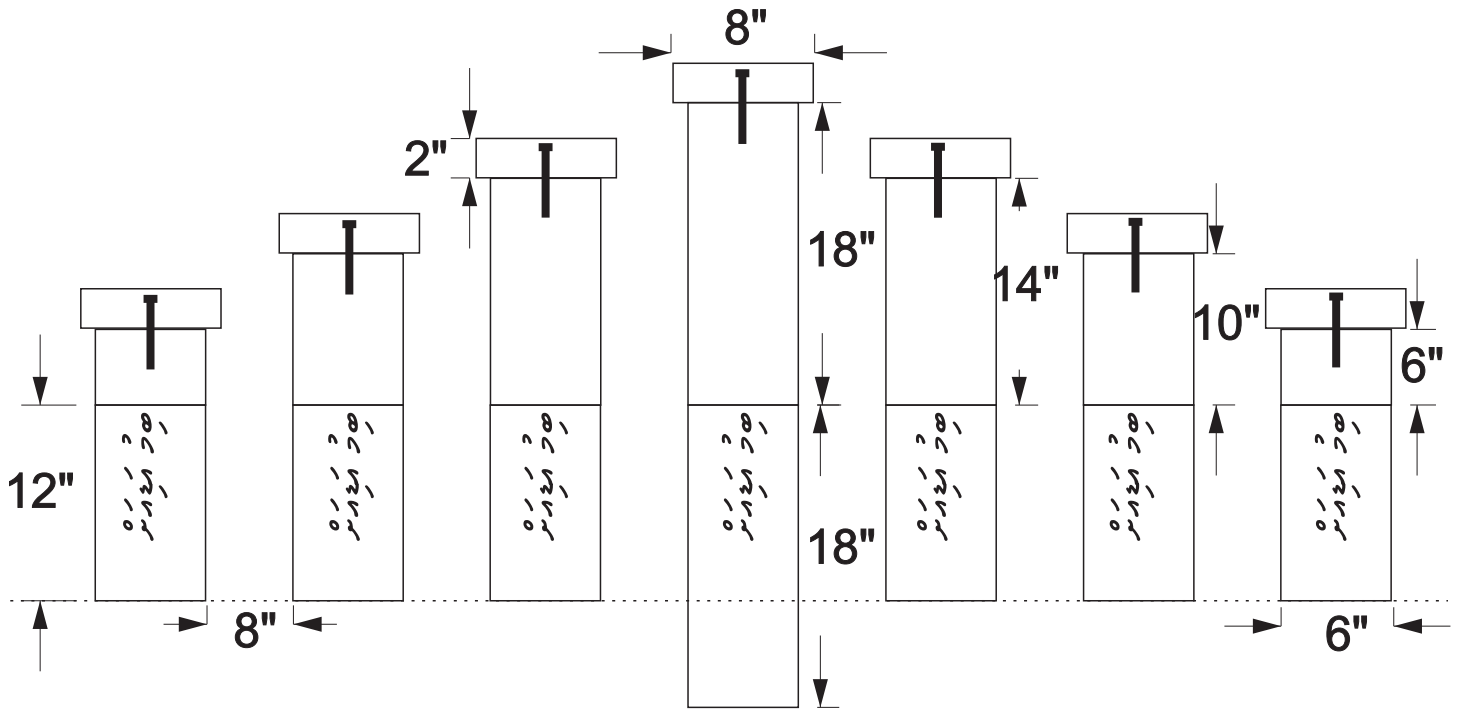
3

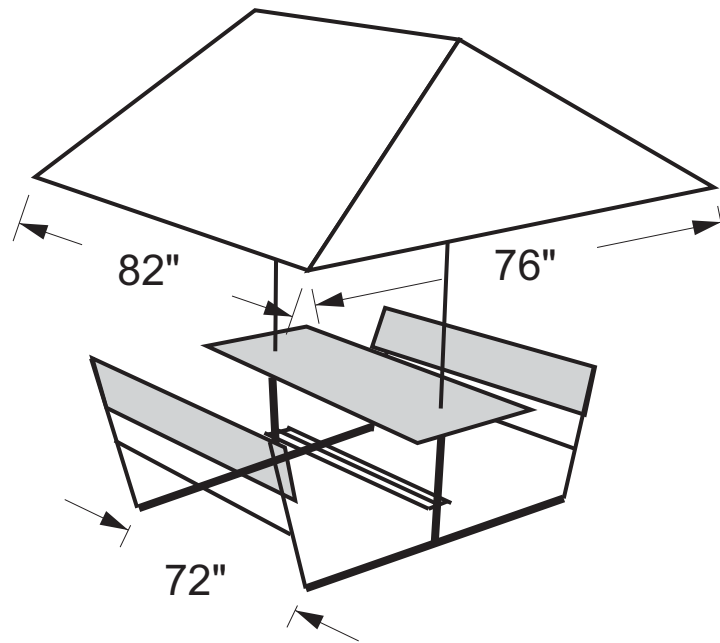
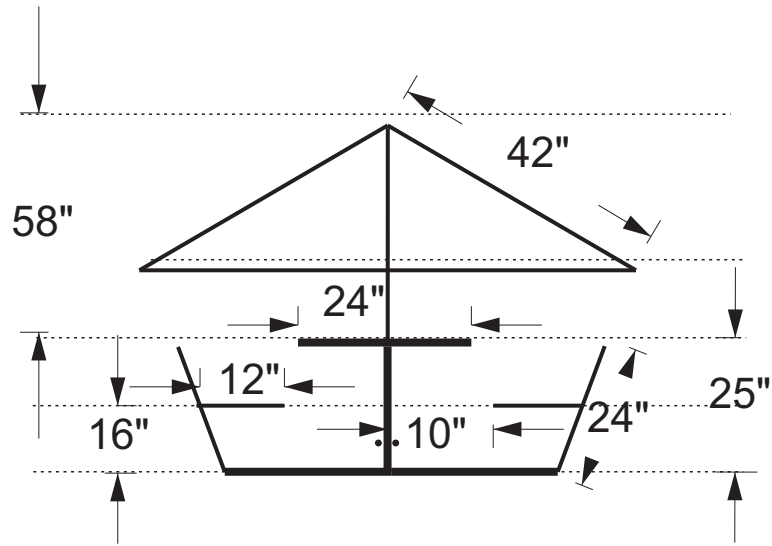



3









Key:
 1.5" GI pipe 
 1 " GI pipe 