

# PROPOSED FISHERIES MINISTRY FAD WAREHOUSE EXTENSION

DETAIL DRAWINGS

CLIENT:  
MINISTRY OF FISHERIES

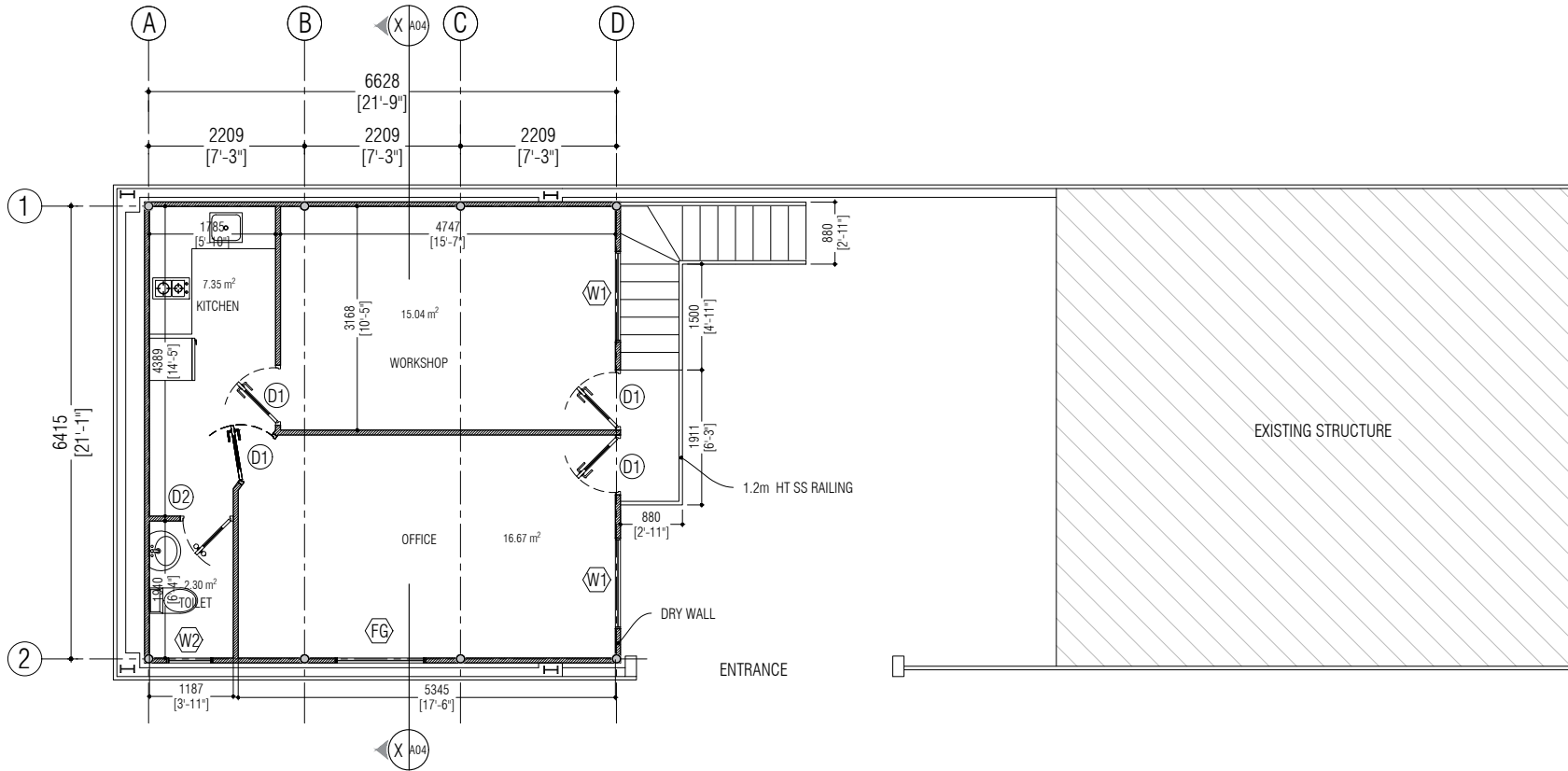
MAY 2023



**Associates Architects**

S M A S S O C I A T E S A R C H I T E C T S  
R I H I K U R I ( 1 S T F L O O R ) , N I R O L H U M A G U  
N E I G H B O R H O O D 1 , H U L H U M A L E '  
T E L : ( 9 6 0 ) 7 8 2 6 2 6 0 , ( 9 6 0 ) 7 9 7 7 1 1 9  
E M A I L : I N F O @ S M C O L L E C T I V E S . N E T

NOTES:



**01** MEZZANINE FLOOR PLAN  
A01 SCALE 1:100



MEZZANINE FLOOR-  
COLUMNS (50X100MM RHS) UP TO CEILING LEVEL AND WELDED TO BOTTOM OF ROOF TRUSSES.  
50X100MM RHS BRACING WILL BE PROVIDED ON TOP OF ALL COLUMNS AT GRIDS 1, 2, A & D.

DRY WALL-  
STEEL HOLLOW FRAME (50X50MM) @600 C - C BOTH WAYS.  
CEMENT BOARD (12MM THICK) FOR BOTH SIDES.

NO.	DESCRIPTION	DATE
REV A0	ISSUED FOR REVIEW (IFR)	17-MAY-23
REV A1	REVISED AS PER COMMENTS	22-MAY-23
REV A2	REVISED AS PER COMMENTS	10-JUL-23

## MoFAMR

PROPOSED ADDITIONAL STRUCTURE  
AT FAD WAREHOUSE

Client: MoFAMR

Design: SAMAAH

Drafting: SAMAAH

Engineer: ZUHAL

Structural Checker: -

Architectural Checker: -

Drawing Title: AS SHOWN

Issue: IFR Date: MAY 2023 Pages: 10

Scale: 1:100 Paper: A4

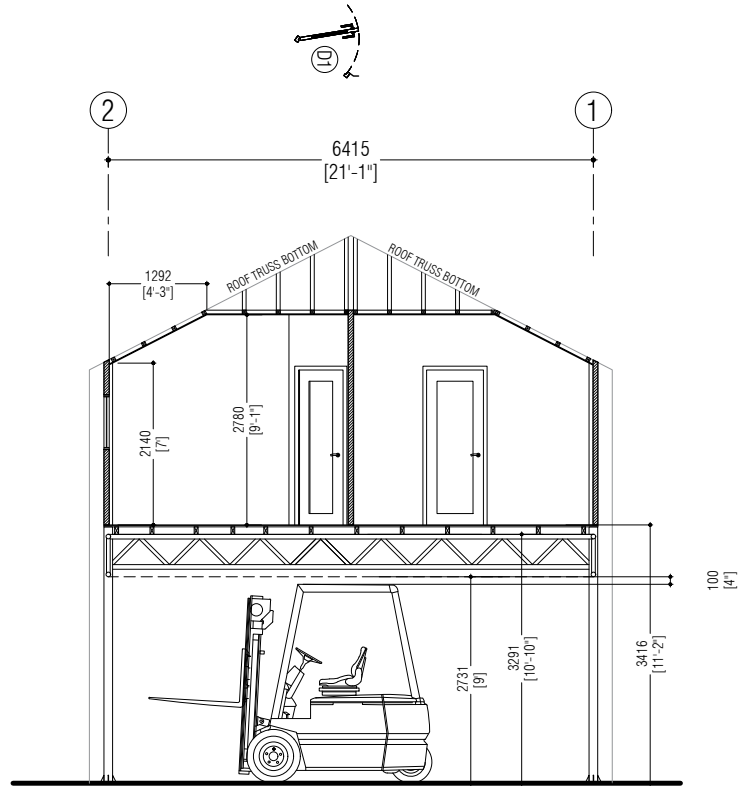
Dwg #: AR2329-A01- REV[A2]



**Associates Architects**

RIHKURI (1ST FLOOR), NIROLHU MAGU  
 NEIGHBORHOOD 1, HULHUMALE'  
 TEL: (960) 7826260, (960) 7977119  
 EMAIL: INFO@SMCOLLECTIVES.NET

NOTES:



**SECTION X:X**  
 SCALE 1:100



**MoFAMR**

PROPOSED ADDITIONAL STRUCTURE  
 AT FAD WAREHOUSE

Client: MoFAMR

Design: SAMAAH

Drafting: SAMAAH

Engineer: ZUHAL

Structural Checker: -

Architectural Checker: -

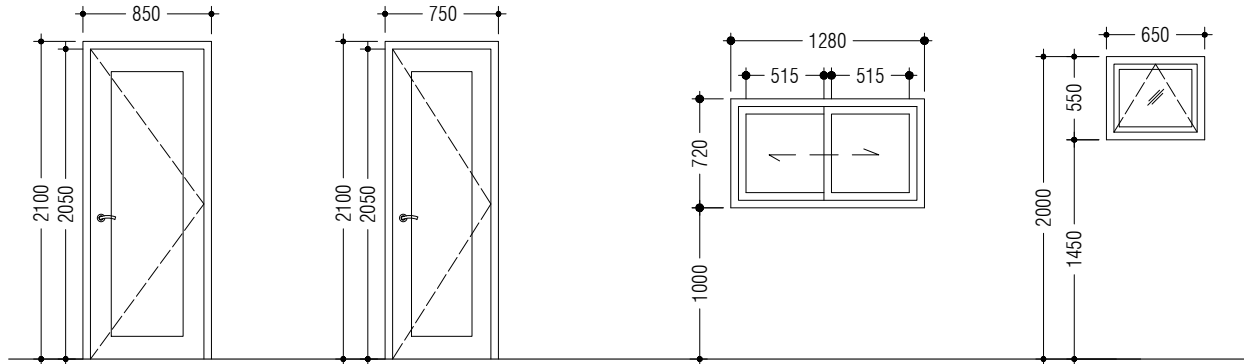
Drawing Title: AS SHOWN

Issue: IFR Date: MAY 2023 Pages: 10

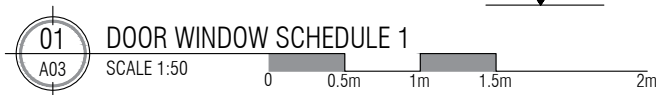
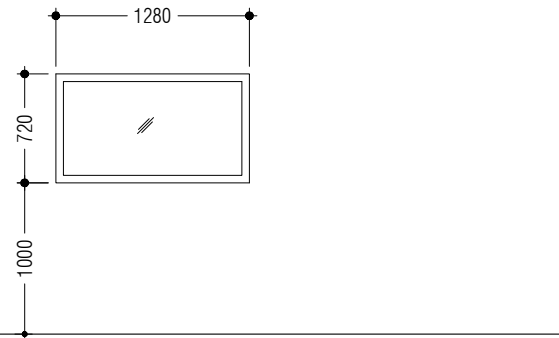
Scale: 1:100 Paper: A4

Dwg #: AR2329-A02- REV[A2]

D/W #	D1	D2	W1		W2	
DOOR FRAME	FIBER	FIBER	ALUMINIUM		ALUMINIUM	
PANEL	READY MADE FIBER DOOR	READY MADE FIBER DOOR	ALUMINIUM	GLASS	ALUMINIUM	GLASS
FINISHES	GREY	GREY	GREY	BLACK TINT	WHITE	FROST



D/W #	FG	
DOOR FRAME	ALUMINIUM	
PANEL	ALUMINIUM	GLASS
FINISHES	GREY	BLACK TINT



**Associates Architects**

RIHIKURI (1ST FLOOR), NIROLHU MAGU  
NEIGHBORHOOD 1, HULHUMALE'  
TEL: (960) 7826260, (960) 7977119  
EMAIL: INFO@SMCOLLECTIVES.NET

NOTES:

NO.	DESCRIPTION	DATE
REV A0	ISSUED FOR REVIEW (IFR)	17-MAY-23
REV A1	REVISED AS PER COMMENTS	22-MAY-23
REV A2	REVISED AS PER COMMENTS	10-JUL-23

### MoFAMR

PROPOSED ADDITIONAL STRUCTURE  
AT FAD WAREHOUSE

Client: MoFAMR

Design: SAMAAH

Drafting: SAMAAH

Engineer: ZUHAIL

Structural Checker: -

Architectural Checker: -

Drawing Title: AS SHOWN

Issue: IFR Date: MAY 2023 Pages: 10

Scale: 1:50 Paper: A4

Dwg #: AR2329-A03-REV[A2]



**Associates Architects**

RIHIKURI (1ST FLOOR), NIROLHU MAGU  
NEIGHBORHOOD 1, HULHUMALE'  
TEL: (960) 7826260, (960) 7977119  
EMAIL: INFO@SMCOLLECTIVES.NET

NOTES:

NO.	DESCRIPTION	DATE
REV A0	ISSUED FOR REVIEW (FR)	17-MAY-23
REV A1	REVISED AS PER COMMENTS	22-MAY-23
REV A2	REVISED AS PER COMMENTS	10-JUL-23

**MoFAMR**

PROPOSED ADDITIONAL STRUCTURE  
AT FAD WAREHOUSE

Client: MoFAMR

Design: SAMAAH

Drafting: SAMAAH

Engineer: ZUHAL

Structural Checker: -

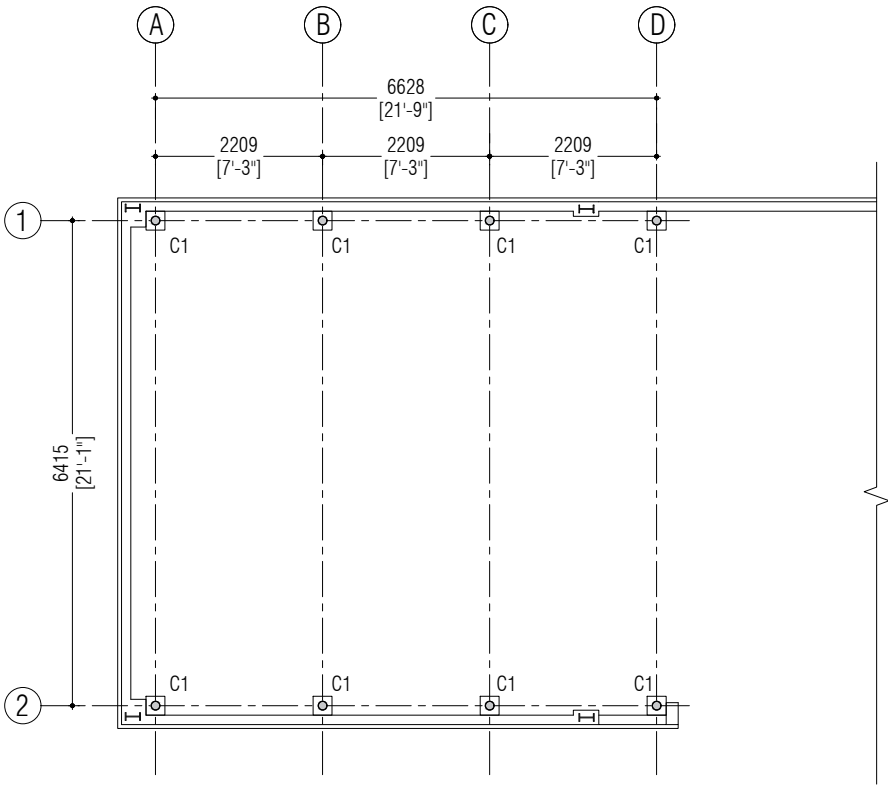
Architectural Checker: -

Drawing Title: AS SHOWN

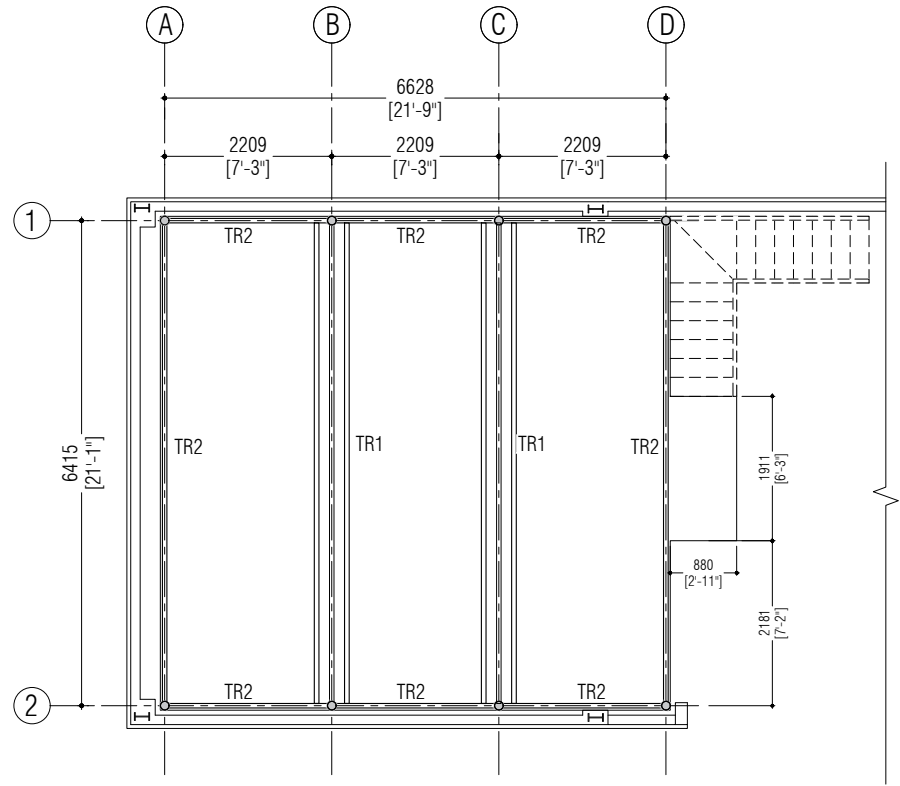
Issue: FR Date: MAY 2023 Pages: 10

Scale: 1:100 Paper: A4

Dwg #: AR2329-S01- REV[A2]



**01** COLUMN AND BASEPLATE PLAN  
S01 SCALE 1:100



**02** TRUSS PLAN  
S01 SCALE 1:100



**Associates Architects**

RIHIKURI (1ST FLOOR), NIROLHU MAGU  
NEIGHBORHOOD 1, HULHUMALE'  
TEL: (960) 7826260, (960) 7977119  
EMAIL: INFO@SMCOLLECTIVES.NET

NOTES:

NO.	DESCRIPTION	DATE
REV A0	ISSUED FOR REVIEW (IFR)	17-MAY-23
REV A1	REVISED AS PER COMMENTS	22-MAY-23
REV A2	REVISED AS PER COMMENTS	10-JUL-23

## MoFAMR

PROPOSED ADDITIONAL STRUCTURE  
AT FAD WAREHOUSE

Client: MoFAMR

Design: SAMAAH

Drafting: SAMAAH

Engineer: ZUHAIL

Structural Checker: -

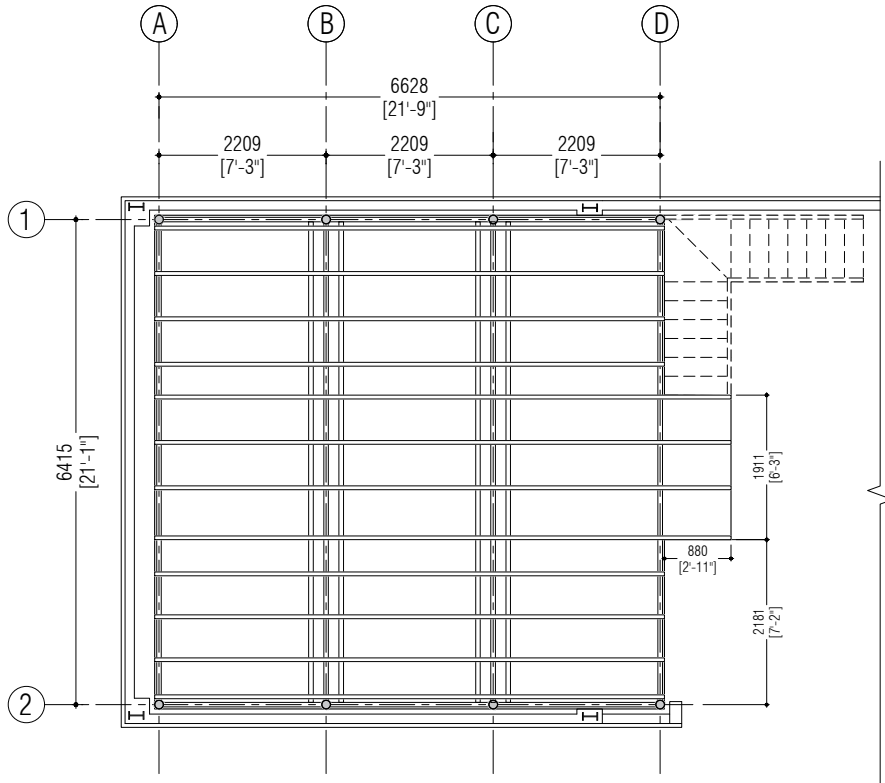
Architectural Checker: -

Drawing Title: AS SHOWN

Issue: IFR Date: MAY 2023 Pages: 10

Scale: 1:100 Paper: A4

Dwg #: AR2329-S02-REV[A2]

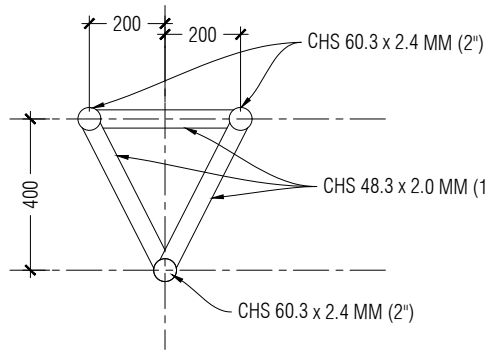


## 01 DECK FRAMING PLAN

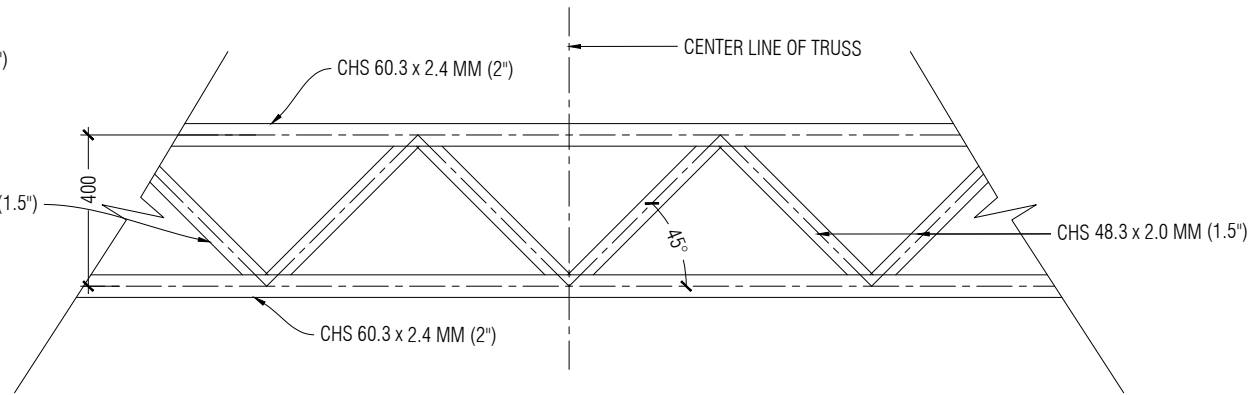
SCALE 1:100



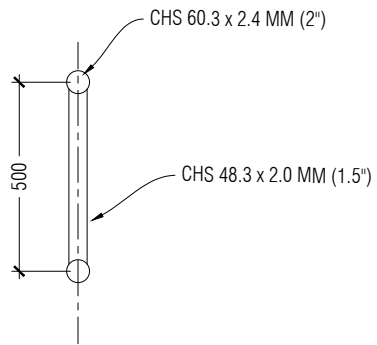
NOTES:



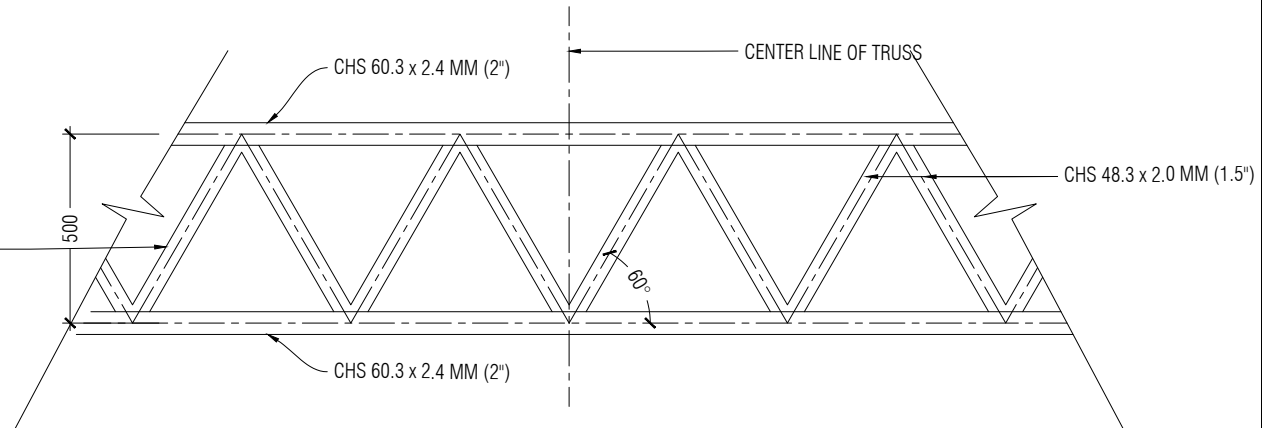
SECTION  
TR1



ELEVATION  
TR1



SECTION  
TR2



ELEVATION  
TR2



TRUSS DETAIL

SCALE 1:20

0 0.2m 0.4m 0.6m 1m

NO.	DESCRIPTION	DATE
REV A0	ISSUED FOR REVIEW (IFR)	17-MAY-23
REV A1	REVISED AS PER COMMENTS	22-MAY-23
REV A2	REVISED AS PER COMMENTS	10-JUL-23

**MoFAMR**

PROPOSED ADDITIONAL STRUCTURE  
AT FAD WAREHOUSE

Client: MoFAMR

Design: SAMAAH

Drafting: SAMAAH

Engineer: ZUHAIL

Structural Checker: -

Architectural Checker: -

Drawing Title: AS SHOWN

Issue: IFR Date: MAY 2023 Pages: 10

Scale: 1:20 Paper: A4

Dwg #: AR2329-S03-REV[A2]

NOTES:

NO.	DESCRIPTION	DATE
REV A0	ISSUED FOR REVIEW (IFR)	17-MAY-23
REV A1	REVISED AS PER COMMENTS	22-MAY-23
REV A2	REVISED AS PER COMMENTS	10-JUL-23

## MoFAMR

PROPOSED ADDITIONAL STRUCTURE  
AT FAD WAREHOUSE

Client: MoFAMR

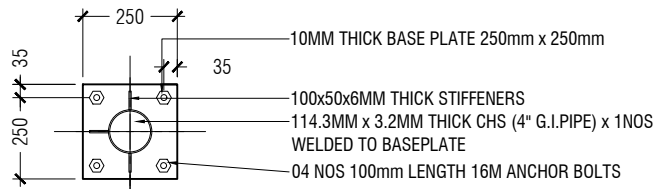
Design: SAMAAH  
Drafting: SAMAAH  
Engineer: ZUHAL  
Structural Checker: -  
Architectural Checker: -

Drawing Title: AS SHOWN

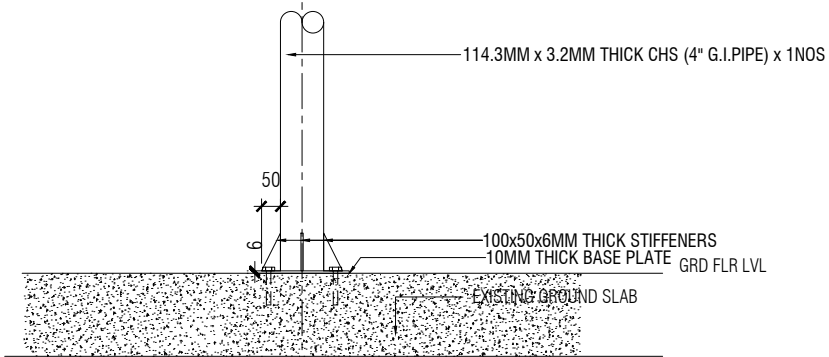
Issue: IFR Date: MAY 2023 Pages: 10

Scale: 1:20 Paper: A4

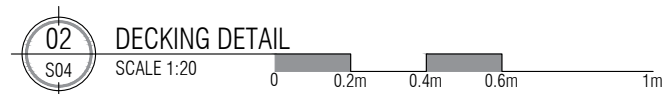
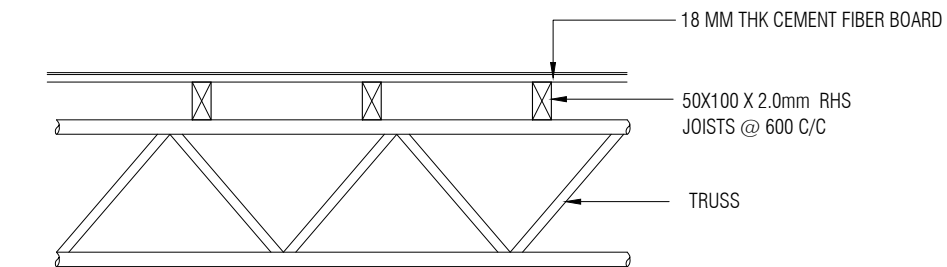
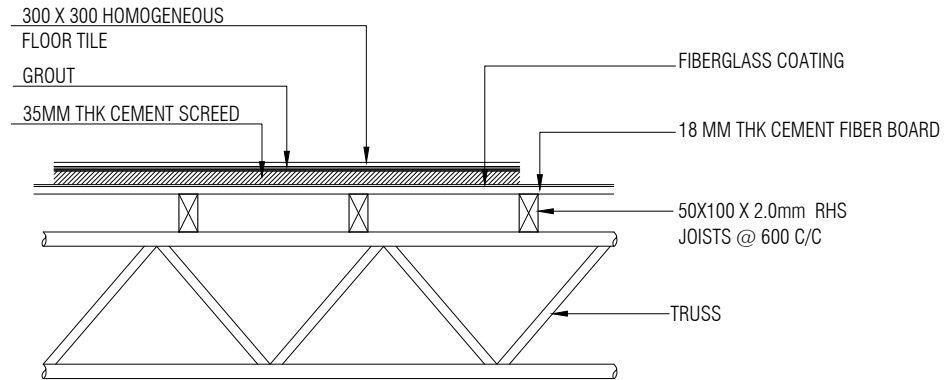
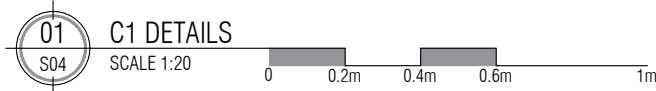
Dwg #: AR2329-S04-REV[A2]



C1 PLATE PLAN



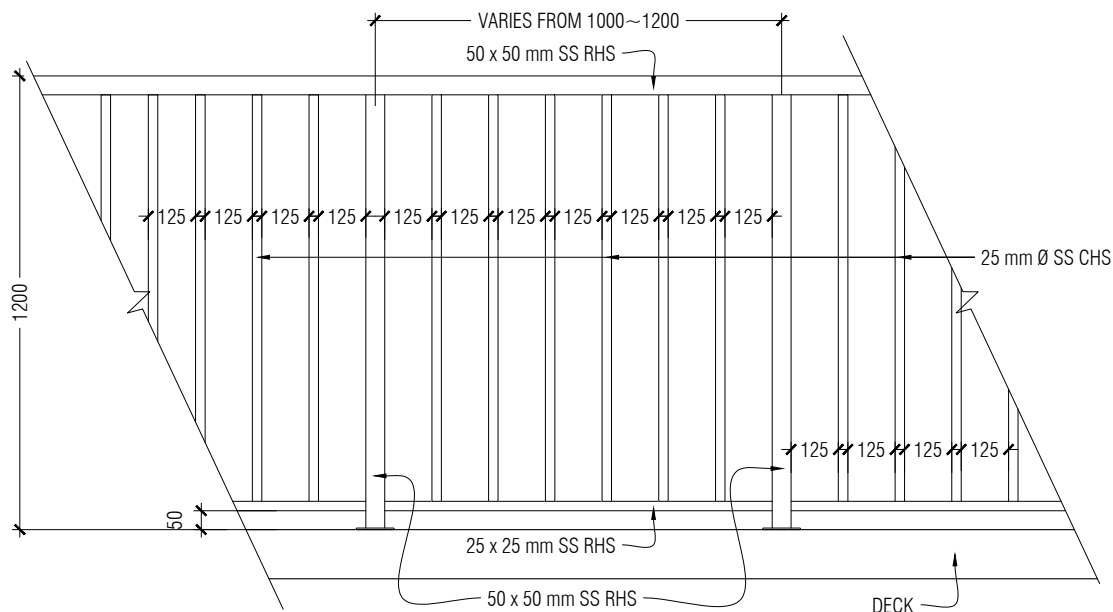
C1 - COLUMN CONNECTION TO GROUND SLAB



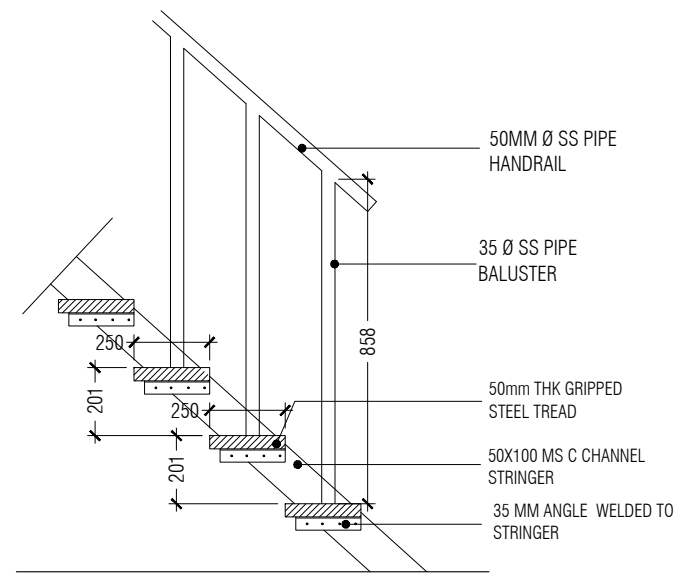
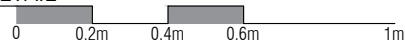
50X100mm RHS RAFTERS @ 600mm C/C WITH 18mm THICK PLYWOOD OR FIBER CEMENT BOARD FOR DECKING AND 35mm CEMENT / SAND (1:6) SLAB ON TOP WITH 25mm PVC NET AS REINFORCEMENT APPLY BITUMEN ON TOP OF PLYWOOD OR CEMENT BOARD BEFORE ANY CEMENTIOUS WORK



NOTES:



**01** SS RAILING DETAIL  
S05 SCALE 1:20



**02** STAIR DETAIL  
S05 SCALE 1:20



NO.	DESCRIPTION	DATE
REV A0	ISSUED FOR REVIEW (IFR)	17-MAY-23
REV A1	REVISED AS PER COMMENTS	22-MAY-23
REV A2	REVISED AS PER COMMENTS	10-JUL-23

**MoFAMR**

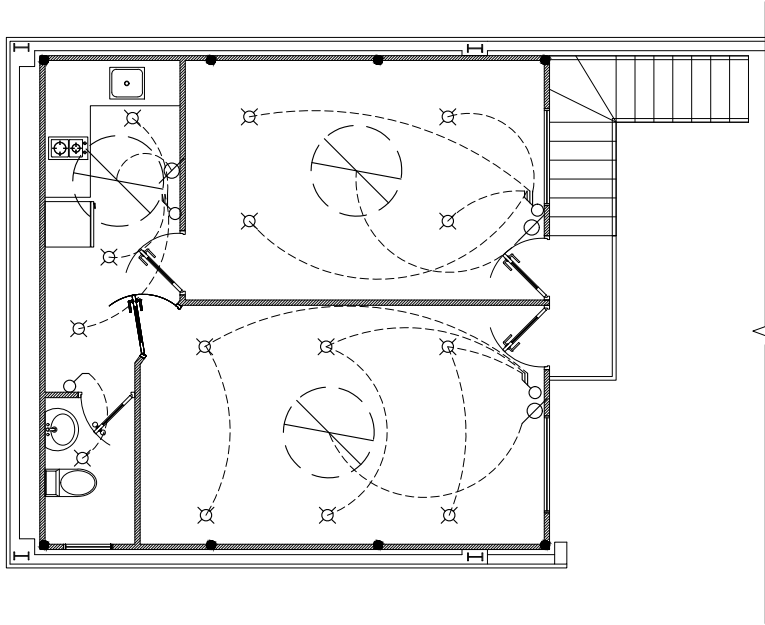
PROPOSED ADDITIONAL STRUCTURE  
AT FAD WAREHOUSE

Client:	MoFAMR
Design:	SAMAAH
Drafting:	SAMAAH
Engineer:	ZUHAL
Structural Checker:	-
Architectural Checker:	-

Drawing Title: AS SHOWN

Issue: IFR Date: MAY 2023 Pages: 10  
Scale: 1:20 Paper: A4  
Dwg #: AR2329-S05-REV[A2]

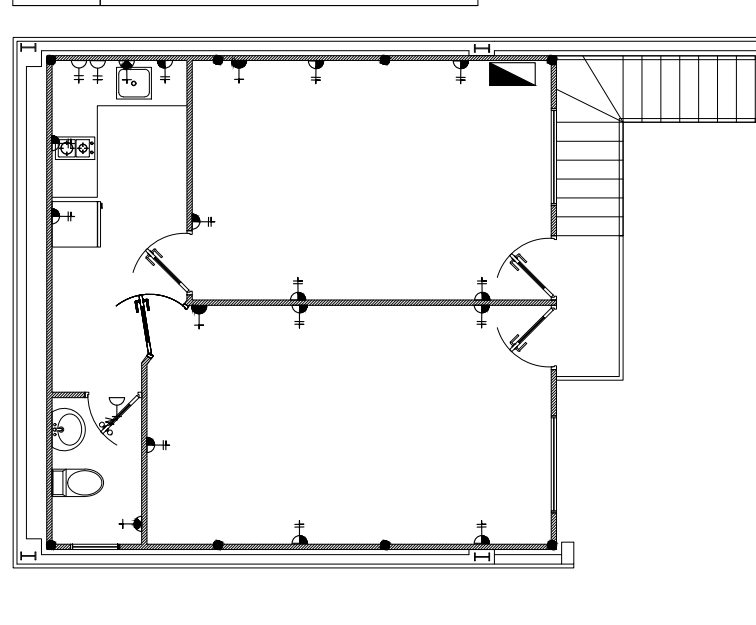
SYMBOL	DESCRIPTION
—	WATER PROOF 14W MIRROR LIGHT
⊙	18W LIGHT (SURFACE MOUNT)
⊗	18W LIGHT (RECESSED)
⊙	18W LIGHT (WALL MOUNT)
⊕	EMERGENCY LIGHT
⊘	CEILING FAN (1.2m DIAMETER)
⊗	1 GANG 2 WAY SWITCH
⊙	1 GANG 1 WAY SWITCH
⊗	2 GANG 1 WAY SWITCH
⊗	3 GANG 1 WAY SWITCH
⊗	4 GANG 1 WAY SWITCH
⊘	FAN LIGHT DIMMER
w	WATERPROOF



01 LIGHTING LAYOUT  
EL01 SCALE 1:100



SYMBOL	DESCRIPTION
⊞	MAIN DISTRIBUTION BOARD
⊞	SECONDARY DISTRIBUTION BOARD
D+	1X13A SOCKET OUTLET AT 1200mm ABOVE FFL
D+	1X13A SOCKET OUTLET AT 300mm ABOVE FFL
D+	2X13A SOCKET OUTLET AT 300mm ABOVE FFL
D+	2X13A SOCKET OUTLET AT 1000mm ABOVE FFL
D+	1X13A SOCKET OUTLET AT 2350mm ABOVE FFL
D+	1X15A SOCKET OUTLET AT 2350mm ABOVE FFL
○+	2X13A SOCKET OUTLET AT FLOOR
⊞	LAN POINT
⊞	TELEPHONE POINT
⊞	TV POINT
w	WATERPROOF



01 POWER LAYOUT  
EL01 SCALE 1:100



Associates Architects

RIHIKURI (1ST FLOOR), NIROLHU MAGU  
NEIGHBORHOOD 1, HULHUMALE'  
TEL: (960) 7826260, (960) 7977119  
EMAIL: INFO@SMCOLLECTIVES.NET

NOTES:

NO.	DESCRIPTION	DATE
REV A0	ISSUED FOR REVIEW (IFR)	17-MAY-23
REV A1	REVISED AS PER COMMENTS	22-MAY-23
REV A2	REVISED AS PER COMMENTS	10-JUL-23

## MoFAMR

PROPOSED ADDITIONAL STRUCTURE  
AT FAD WAREHOUSE

Client: MoFAMR

Design: SAMAAH

Drafting: SAMAAH

Engineer: ZUHAL

Structural Checker: -

Architectural Checker: -

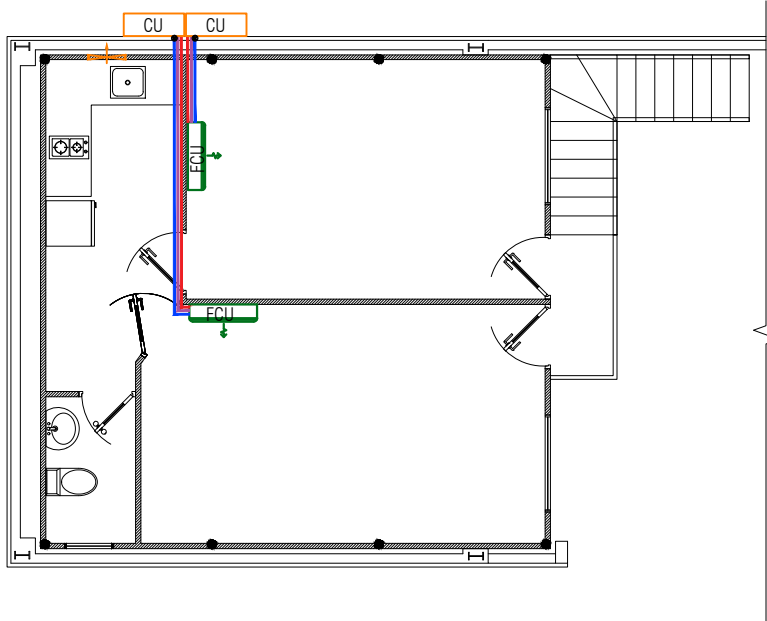
Drawing Title: AS SHOWN

Issue: IFR Date: MAY 2023 Pages: 10

Scale: 1:100 Paper: A4

Dwg #: AR2329-EL01-REV[A2]

NOTES:



SYMBOL	DESCRIPTION
	100mm Ø FLEXIBLE DUCT
	INSULATED LIQUID PIPE
	INSULATED GAS PIPE
	20mm Ø INSULATED DRAIN PIPE
	300mm Ø EXHAUST FAN
	PIPE DROP FROM ABOVE
	PIPE RISE FROM BELOW
	CEILING MOUNT FAN COIL UNIT (FOUR WAY)
	CEILING MOUNT FAN COIL UNIT (ONE WAY)
	WALL MOUNTED FAN COIL UNIT
	MULTI SPLIT CONDENSER UNIT
	150x150mm INTERNAL EXHAUST GRILL
	100 CMH ONLINE EXHAUST FAN

**01 AC LAYOUT**  
ACV01 SCALE 1:100

NO.	DESCRIPTION	DATE
REV A0	ISSUED FOR REVIEW (IFR)	17-MAY-23
REV A1	REVISED AS PER COMMENTS	22-MAY-23
REV A2	REVISED AS PER COMMENTS	10-JUL-23

## MoFAMR

PROPOSED ADDITIONAL STRUCTURE  
AT FAD WAREHOUSE

Client: MoFAMR

Design: SAMAAH

Drafting: SAMAAH

Engineer: ZUHAL

Structural Checker: -

Architectural Checker: -

Drawing Title: AS SHOWN

Issue: IFR Date: MAY 2023 Pages: 10

Scale: 1:100 Paper: A4

Dwg #: AR2329-ACV01-REV[A2]