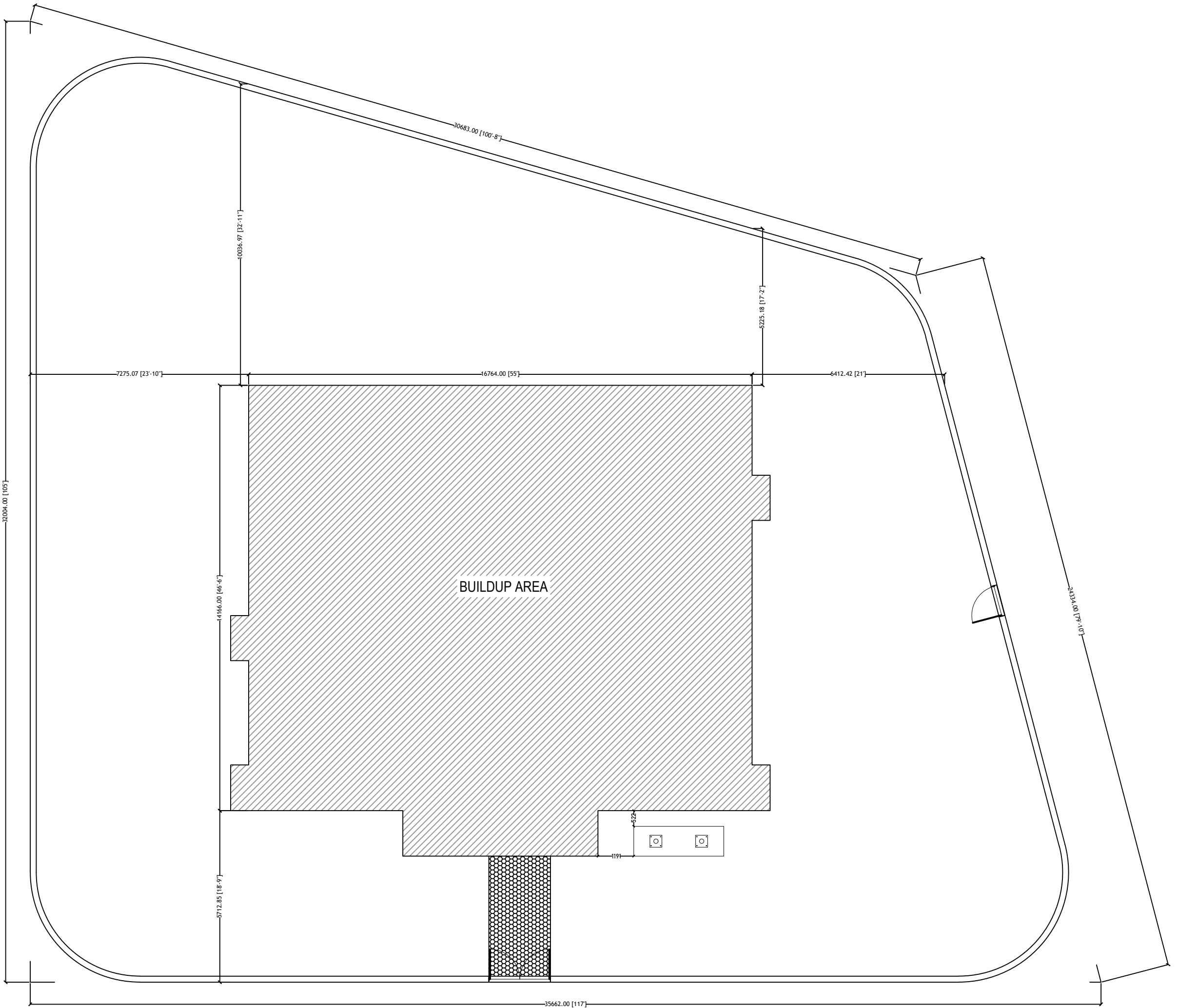
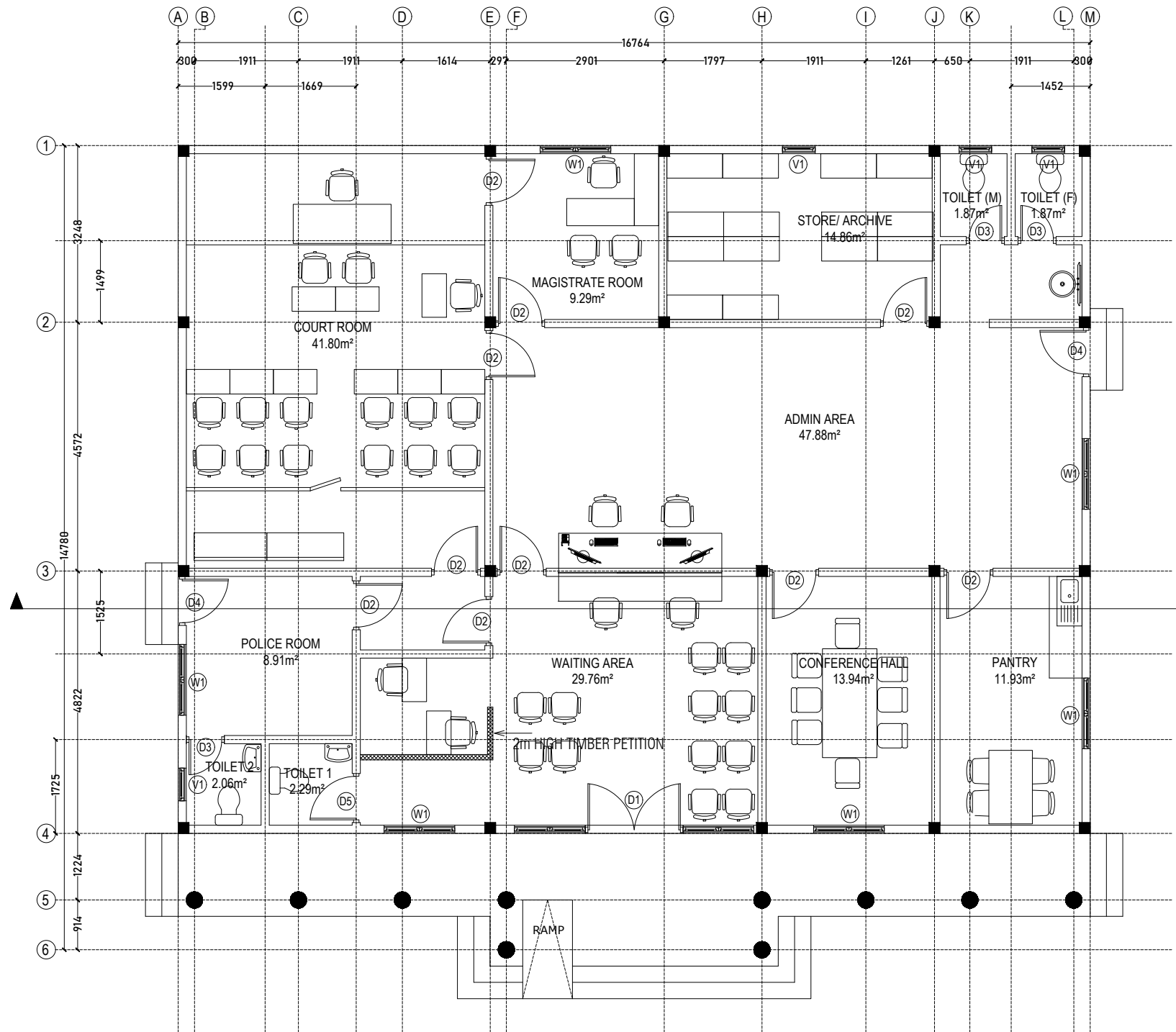


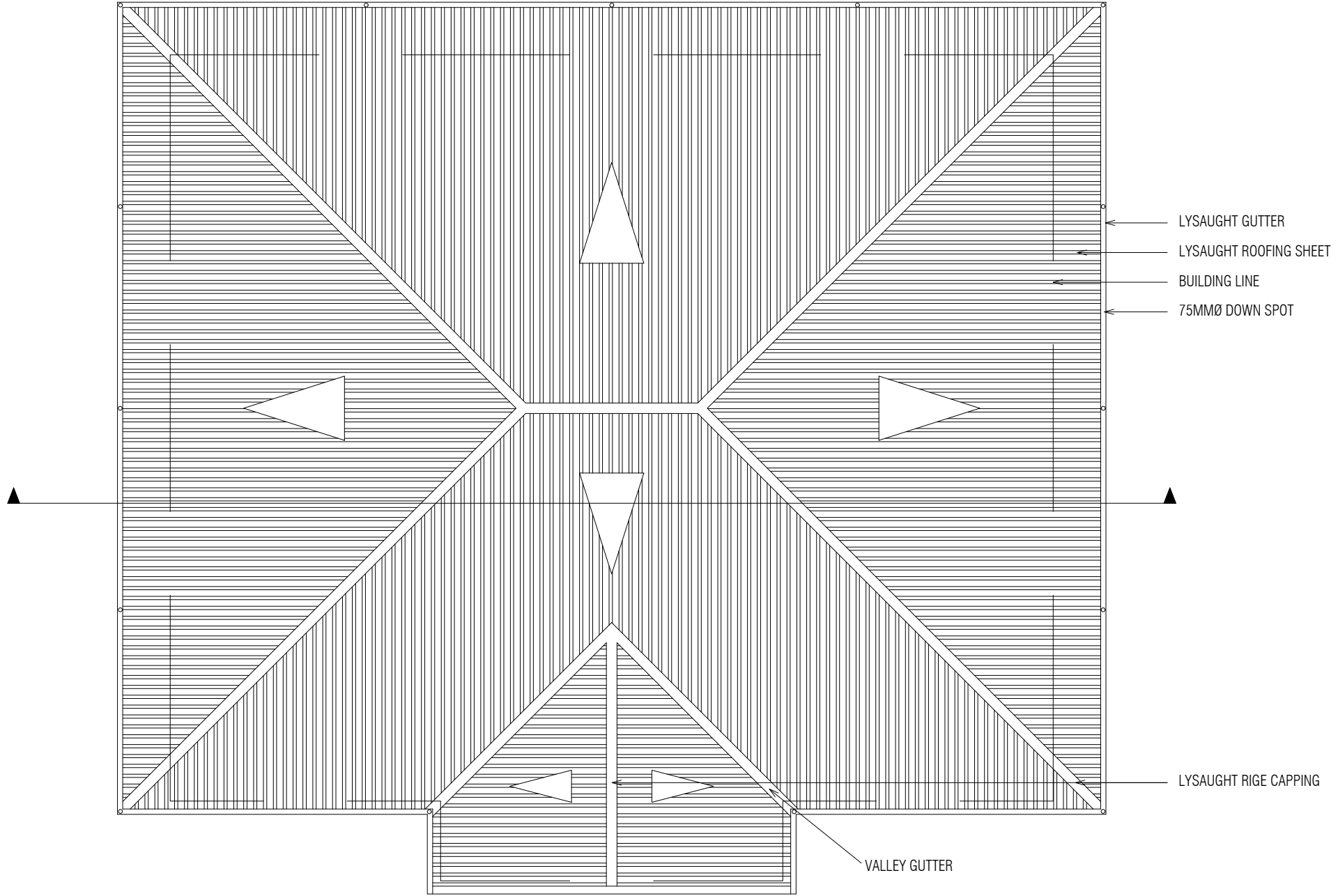
PROPOSED SINGLE STOREY MAGISTRATE
COURT BUILDING AT

HA. MURRAIDHOO

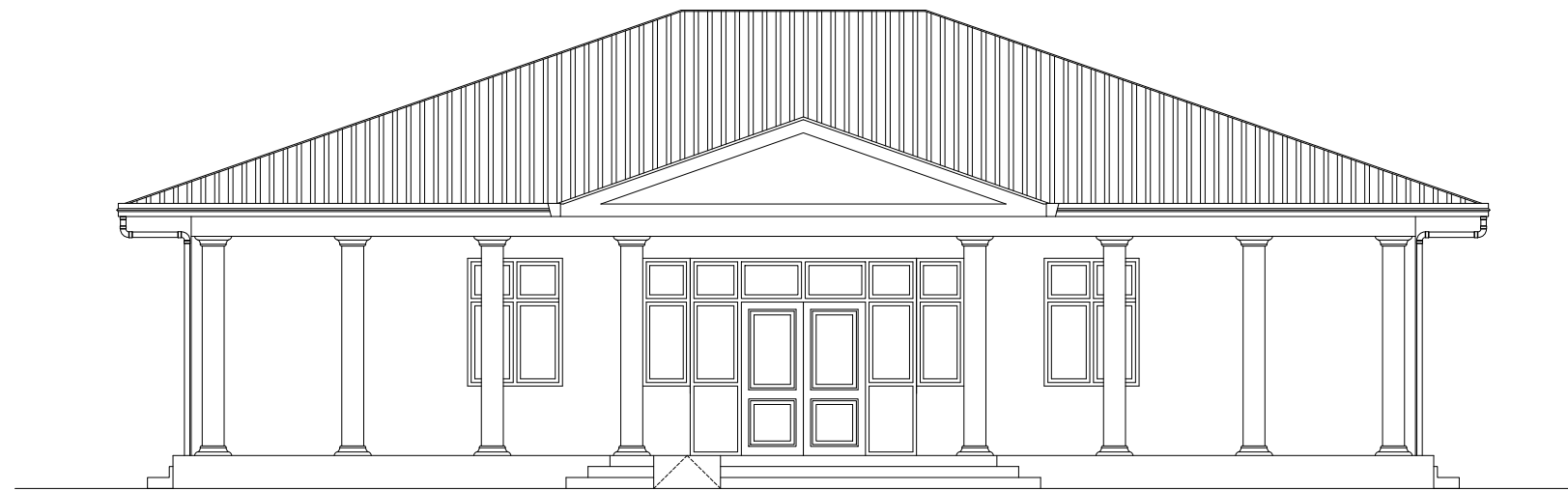
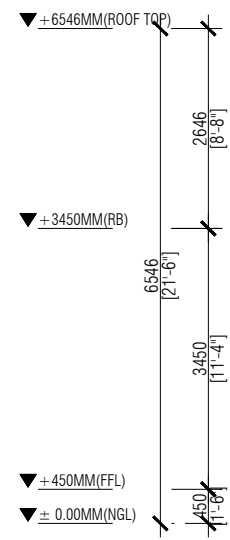




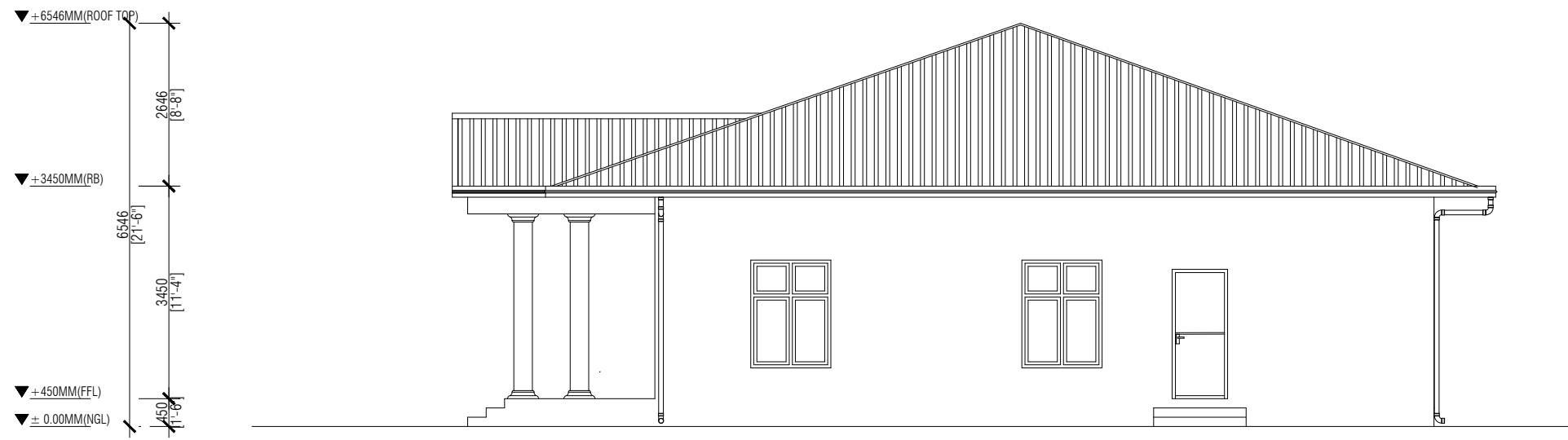
GROUND PLAN
Scale 1:100



ROOF PLAN
 Scale 1:100



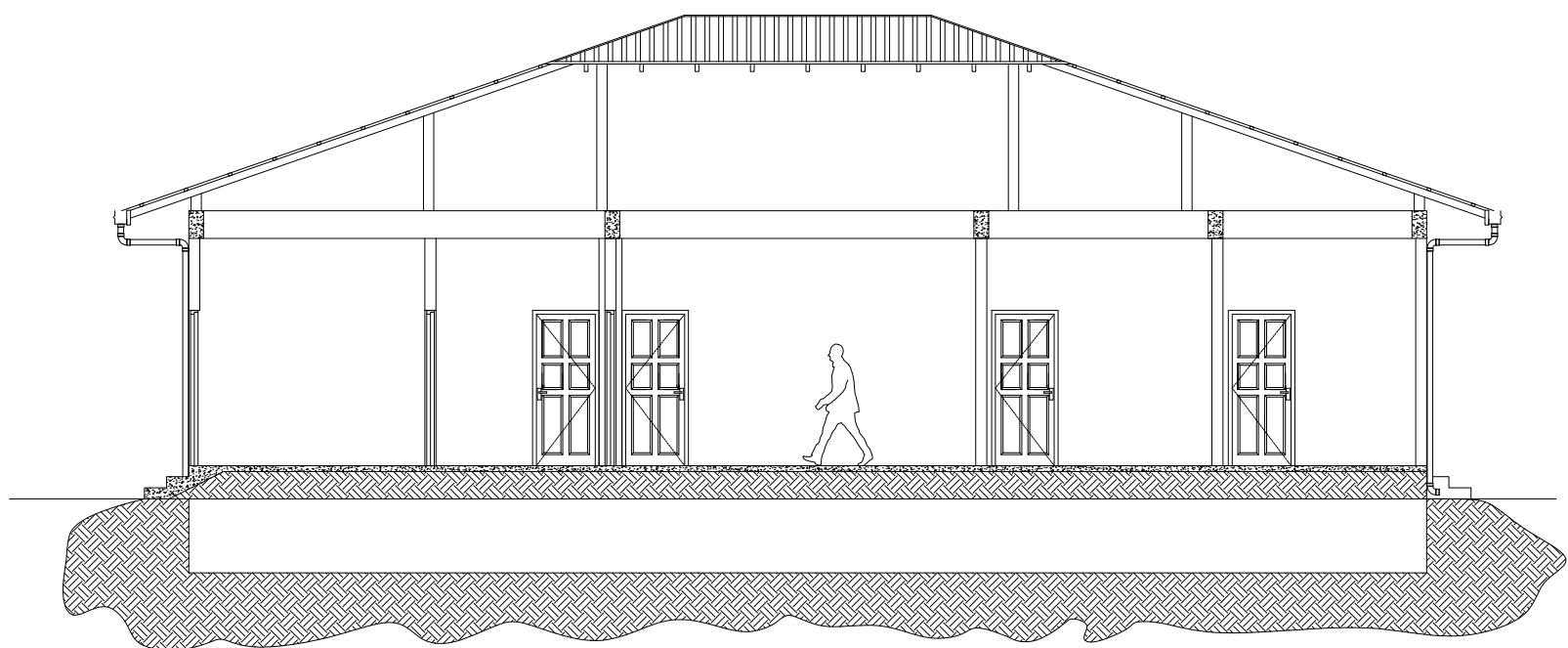
FRONT ELEVATION
Scale 1:100



SIDE ELEVATION
Scale 1:100

▼ +6546MM (ROOF TOP)
▼ +3450MM (RB)
▼ +450MM (FFL)
▼ ± 0.00MM (NGL)
▼ -1000 MM (FOUNDATION LEVEL)

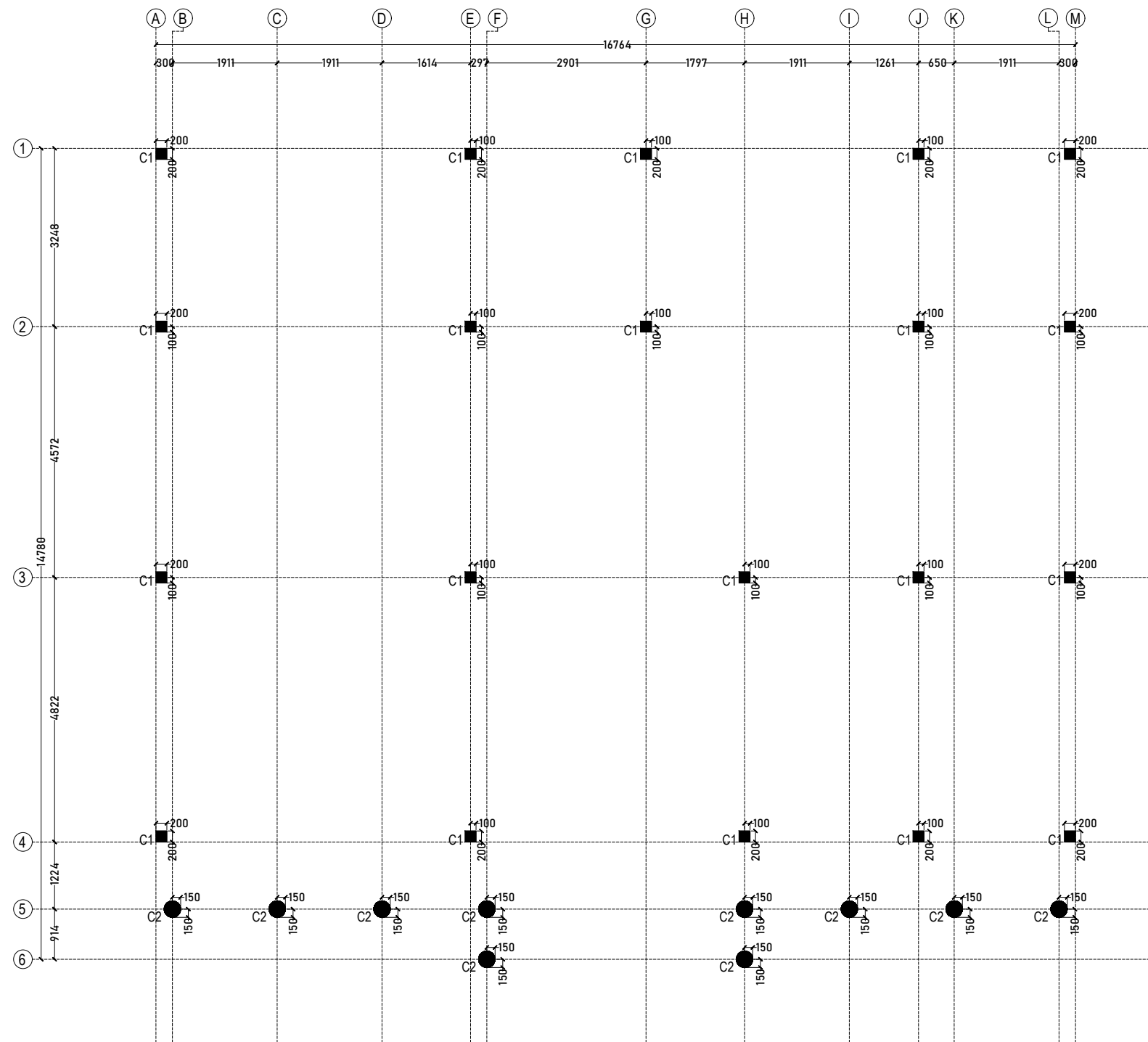
2646 [8'-8"]
6546 [21'-6"]
3450 [11'-4"]
450 [1'-6"]
1000 [3'-3"]



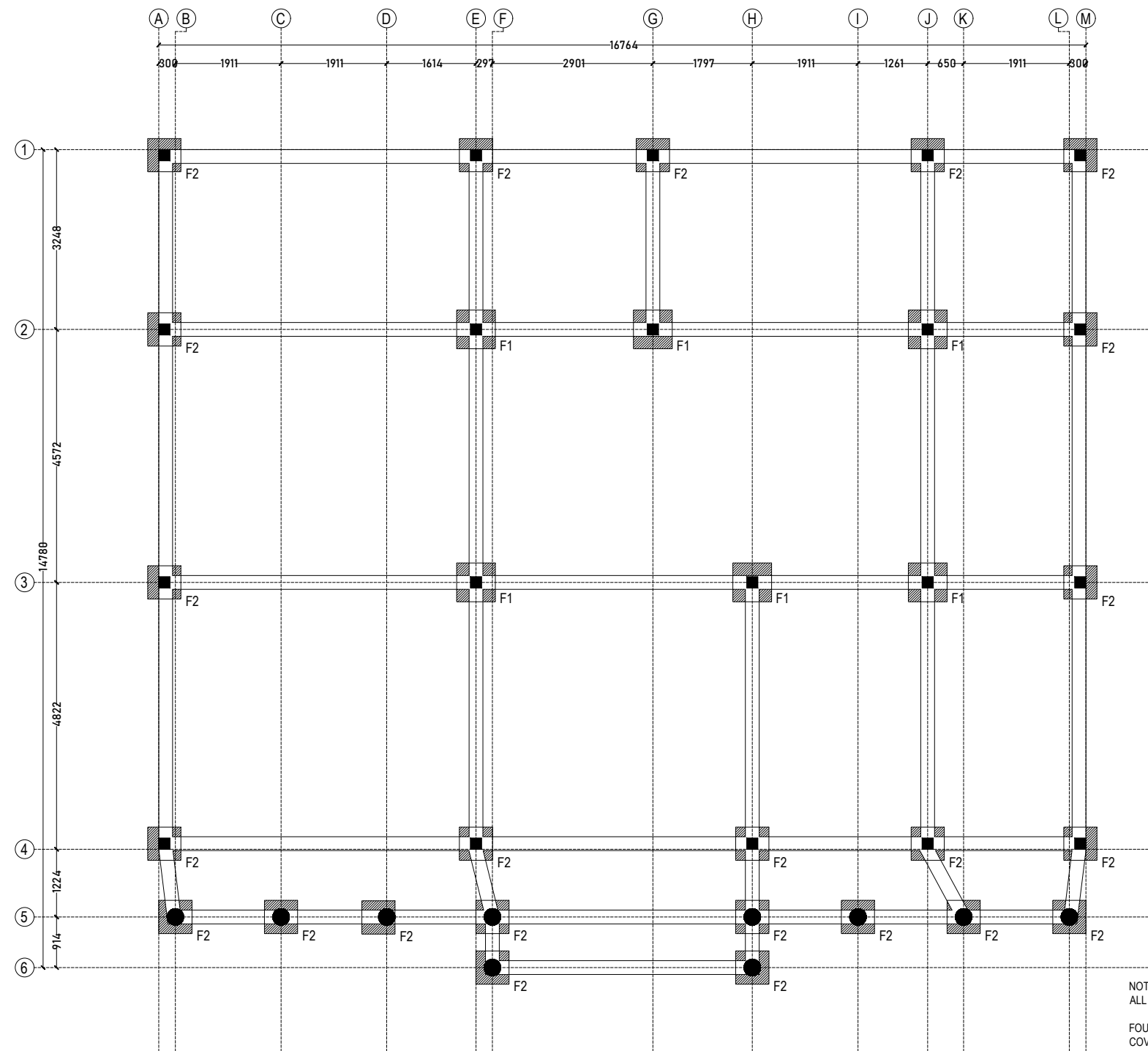
SECTION
Scale 1:100

NAME	DOUBLE DOOR		SIDE HUNG DOOR		SIDE HUNG DOOR		SIDE HUNG DOOR	
PLAN								
ELEVATION								
SYMBOL	D1		D2		D3		D4	
LOCATION	ENTRANCE	TYPE 4 HINGE DOUBLE HUNG DOOR	GROUND FLOOR	TYPE 4 HINGE SIDE HUNG DOOR	GROUND FLOOR	TYPE 3 HINGE SIDE HUNG DOOR	GROUND FLOOR	TYPE 4 HINGE SIDE HUNG DOOR
DOOR FRAME	ALUMINIUM	REMARKS	SOLID TIMBER WOOD	REMARKS	ALUMINIUM	REMARKS	ALUMINIUM	REMARKS
FINISHES	WHITE POWDER COATED	TOP AND SIDE PENAL FIXED TINTED GLASS WITH GRILL	VARNISHED		WHITE POWDER COATED	CLADDING	POWDER COATED	FIXED TINTED GLASS & GRILL

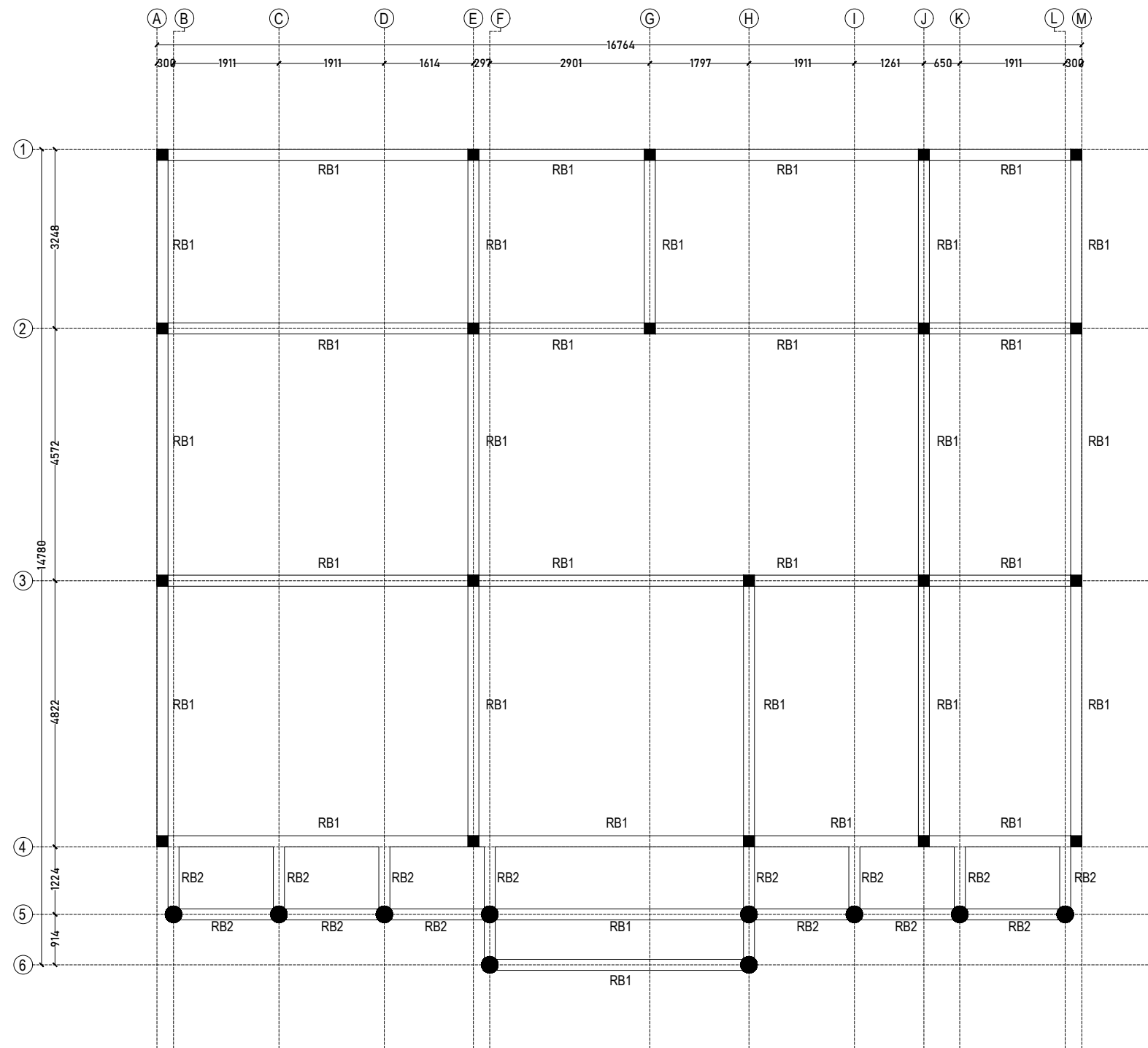
NAME	SIDE HUNG DOOR		2 PENAL WINDOW		VENTILATION	
PLAN						
ELEVATION						
SYMBOL	D5		W1		V1	
LOCATION	GROUND FLOOR	TYPE	GROUND FLOOR	TYPE	GROUND FLOOR	TYPE
QUANTITY		4 HINGE SIDE HUNG DOOR		SIDE HUNG 2 PENAL		TOP HUNG VENTILATION
DOOR FRAME	ALUMINIUM	REMARKS	ALUMINIUM	REMARKS	ALUMINIUM	REMARKS
FINISHES	POWDER COATED	CLADDING	WHITE POWDER COATED	TINTED GLASS WITH GRILL	WHITE POWDER COATED	WITH GRILL



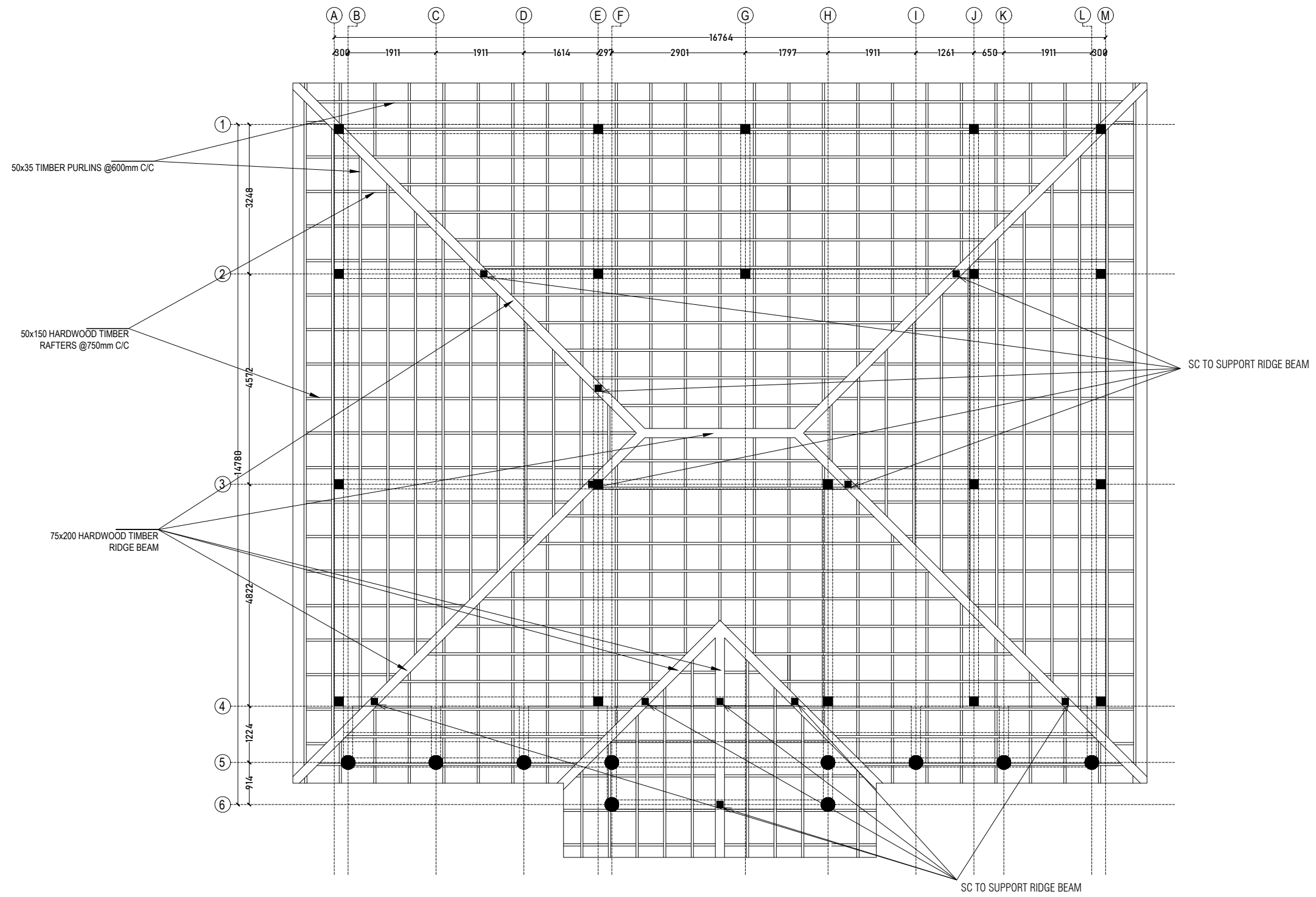
COLUMN LOCATION PLAN
Scale 1:100



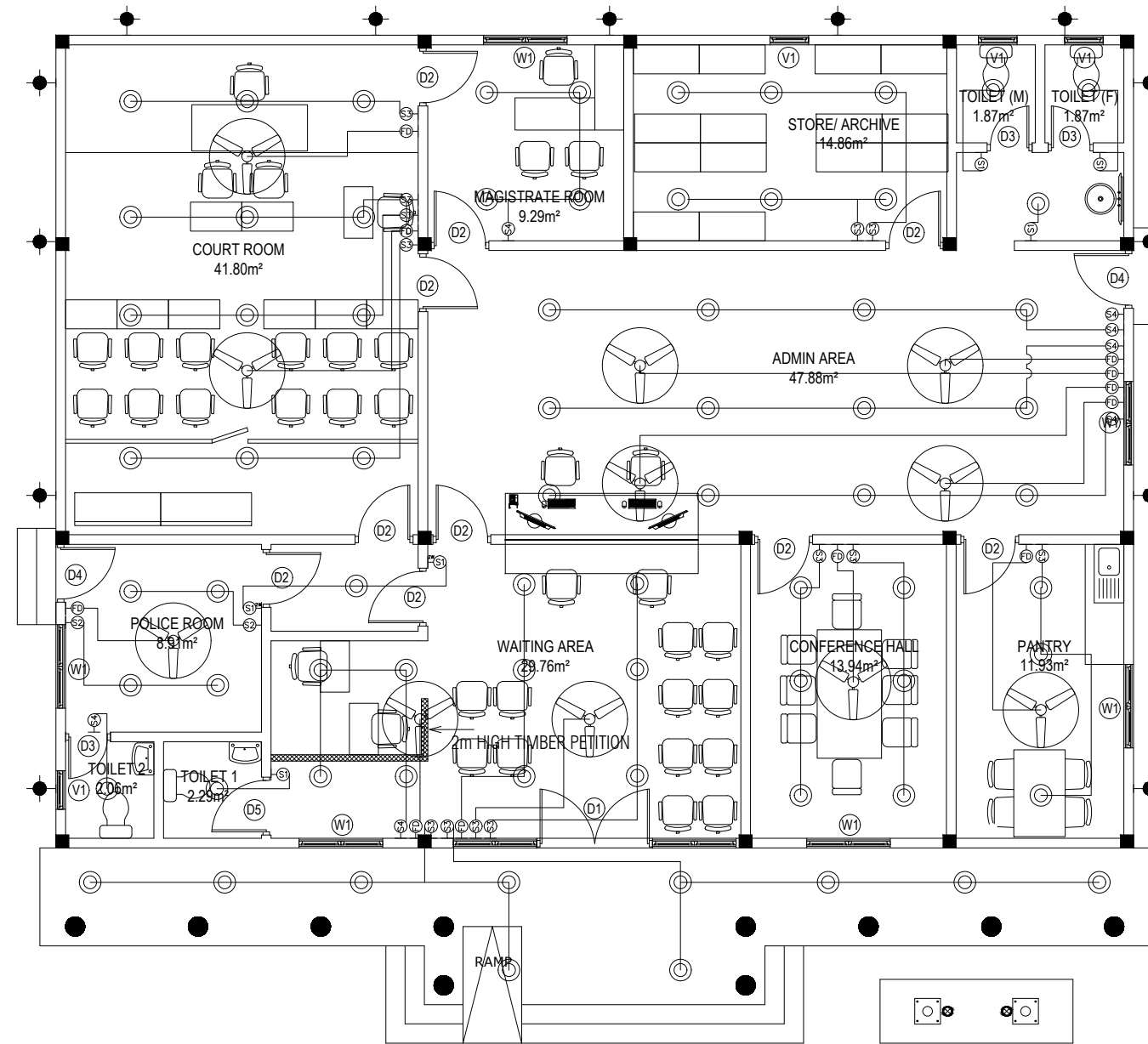
FOUNDATION PLAN
Scale 1:100



ROOF BEAM PLAN
Scale 1:100



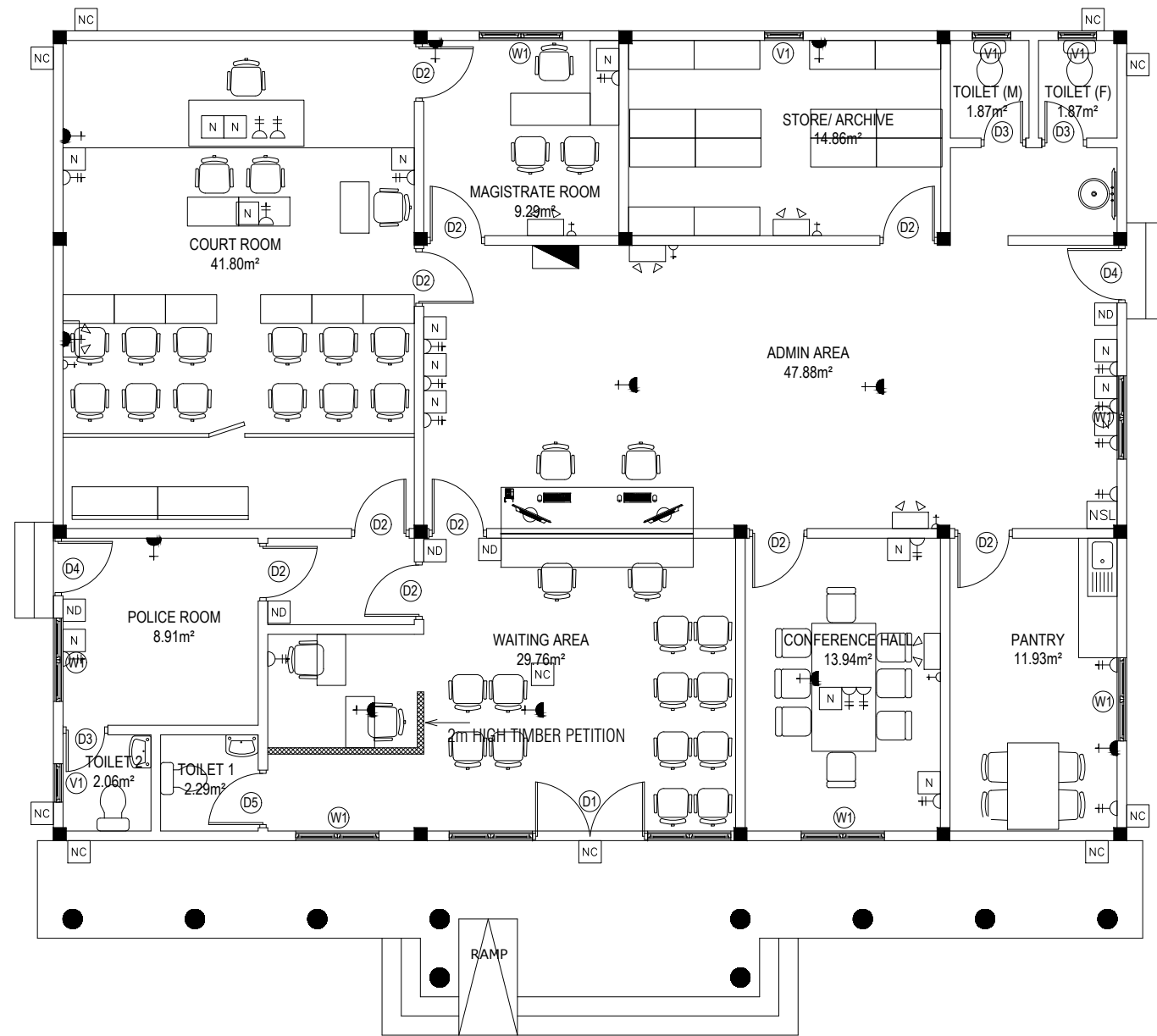
ROOF FRAMING PLAN
 Scale 1:100



LEGEND	
⊙	DOWN LIGHTS C/W 20W ENERGY SAVERS
⊙	WALL LIGHT BULB (WEATHERPROOF)
⊙	CEILING FAN (1.3M DIAMETER)
⊙	ONE GANG SWITCH
⊙	TWO GANG SWITCH
⊙	THREE GANG SWITCH
⊙	FOUR GANG SWITCH
⊙	ONE GANG SWITCH 2 WAY
⊙	FAN DIMMER
⊙	LIGHTING ROD
⊙	PHOTOCELL SWITCH
●	SPOT LIGHT

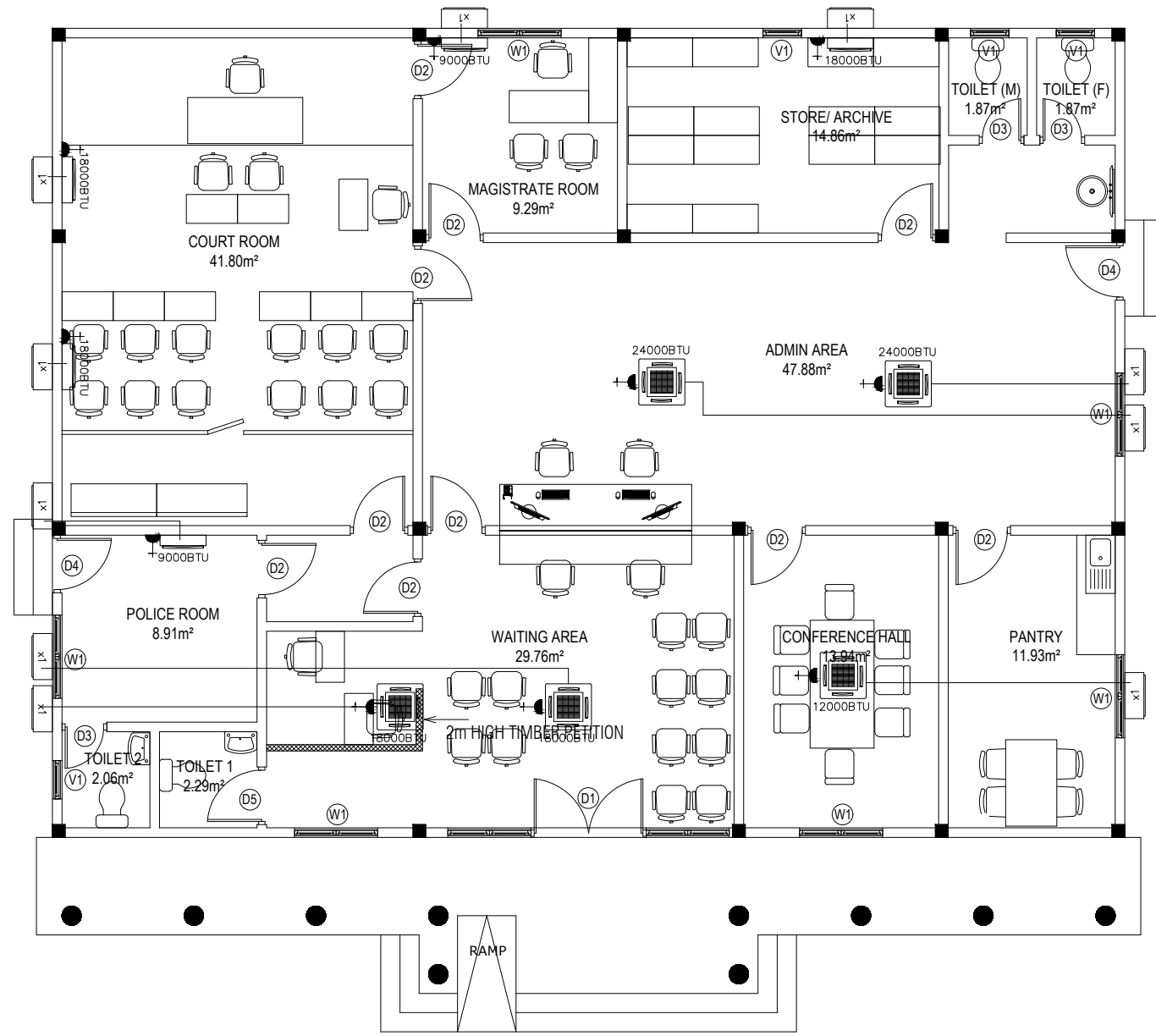
NOTE: ALL SWITCHES @ 1.2 FROM FFL
 ALL THE OUTDOOR LIGHTS ARE CONTROL BY PHOTOCELL SWITCH
 ALL GATE LIGHTS ARE CONTROL BY PHOTOCELL SWITCH

ELECTRICAL LIGHTING LAYOUT
 Scale 1:100



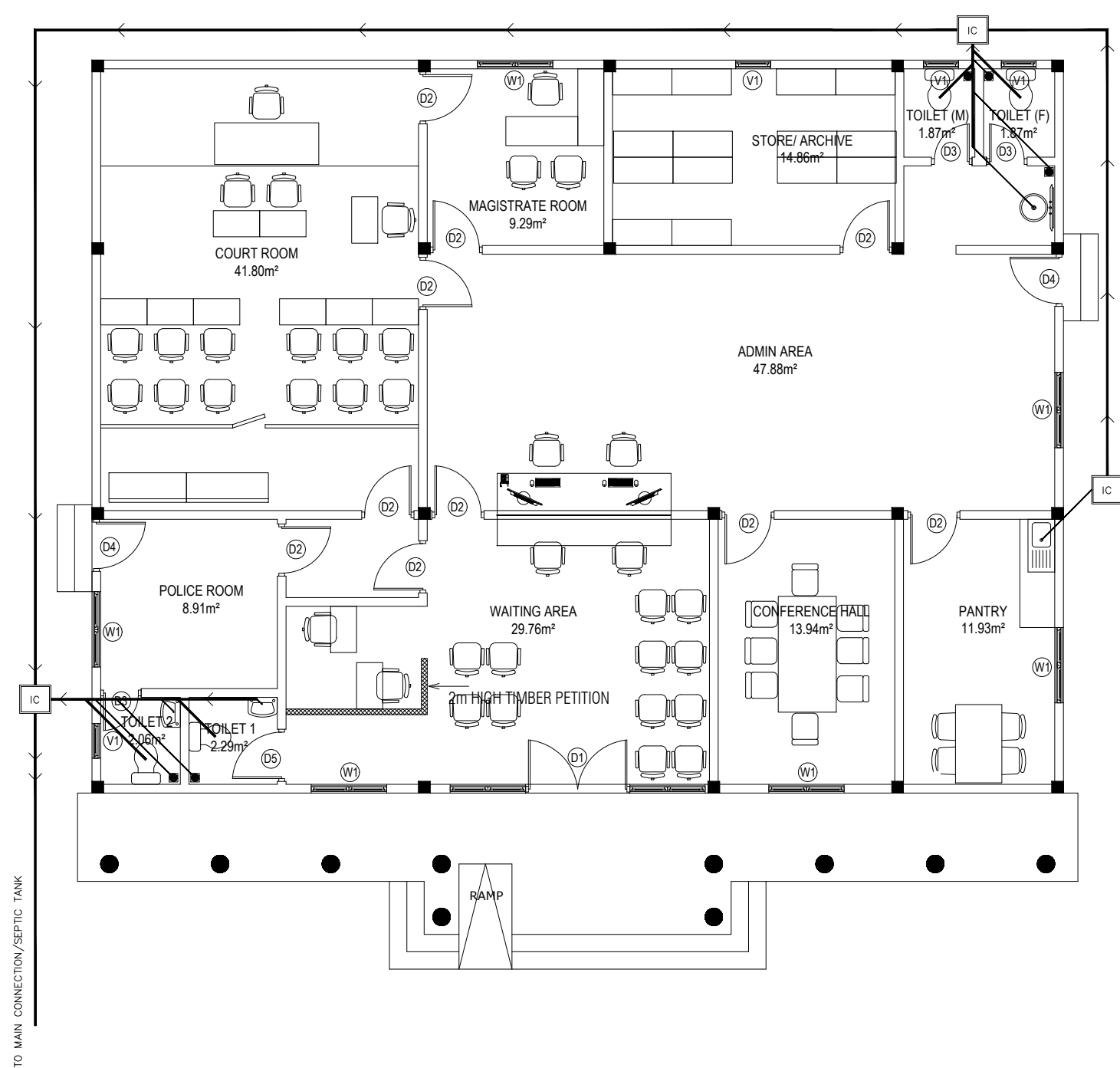
LEGEND	
	DISTRIBUTION BOARD
	NETWORK SWITCH LOCATION
	1 x 13A SOCKET OUTLET
	2 x 13A SOCKET OUTLET
	NETWORK OUTLET
	NETWORK TO DOOR ACCESS
	NETWORK TO CCTV
	EMERGENCY LIGHT TWO HOUR WITH 13A SOCKET OUTLET
	1 x 15A SOCKET OUTLET
	VENTILATION FAN

ELECTRICAL POWER LAYOUT
Scale 1:100



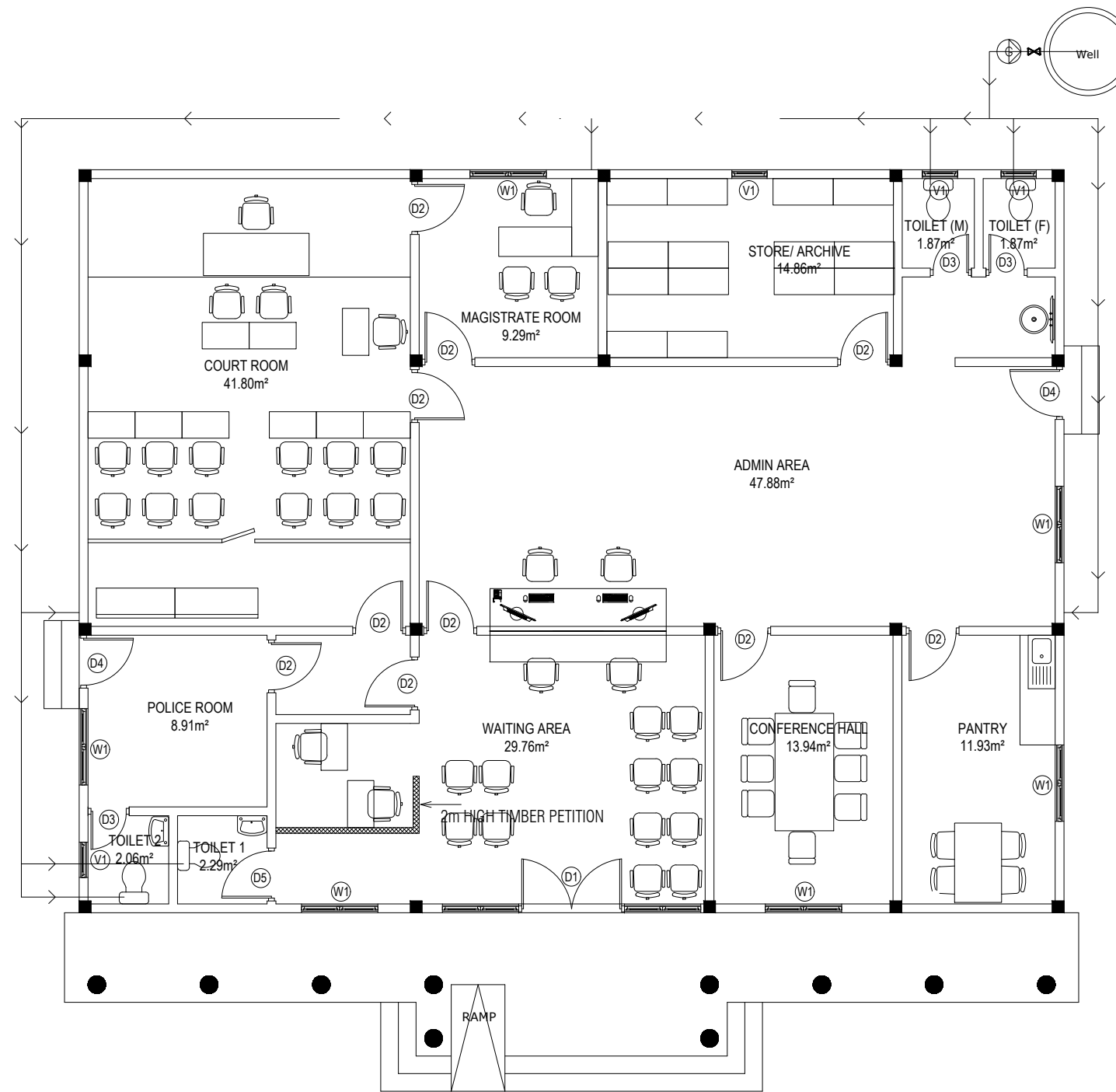
LEGEND	
	CEILING MOUNT AC INDOOR UNIT
	OUTDOOR UNIT
	WALL MOUNT AC INDOOR UNIT

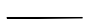



AIR CONDITION LAYOUT
Scale 1:100



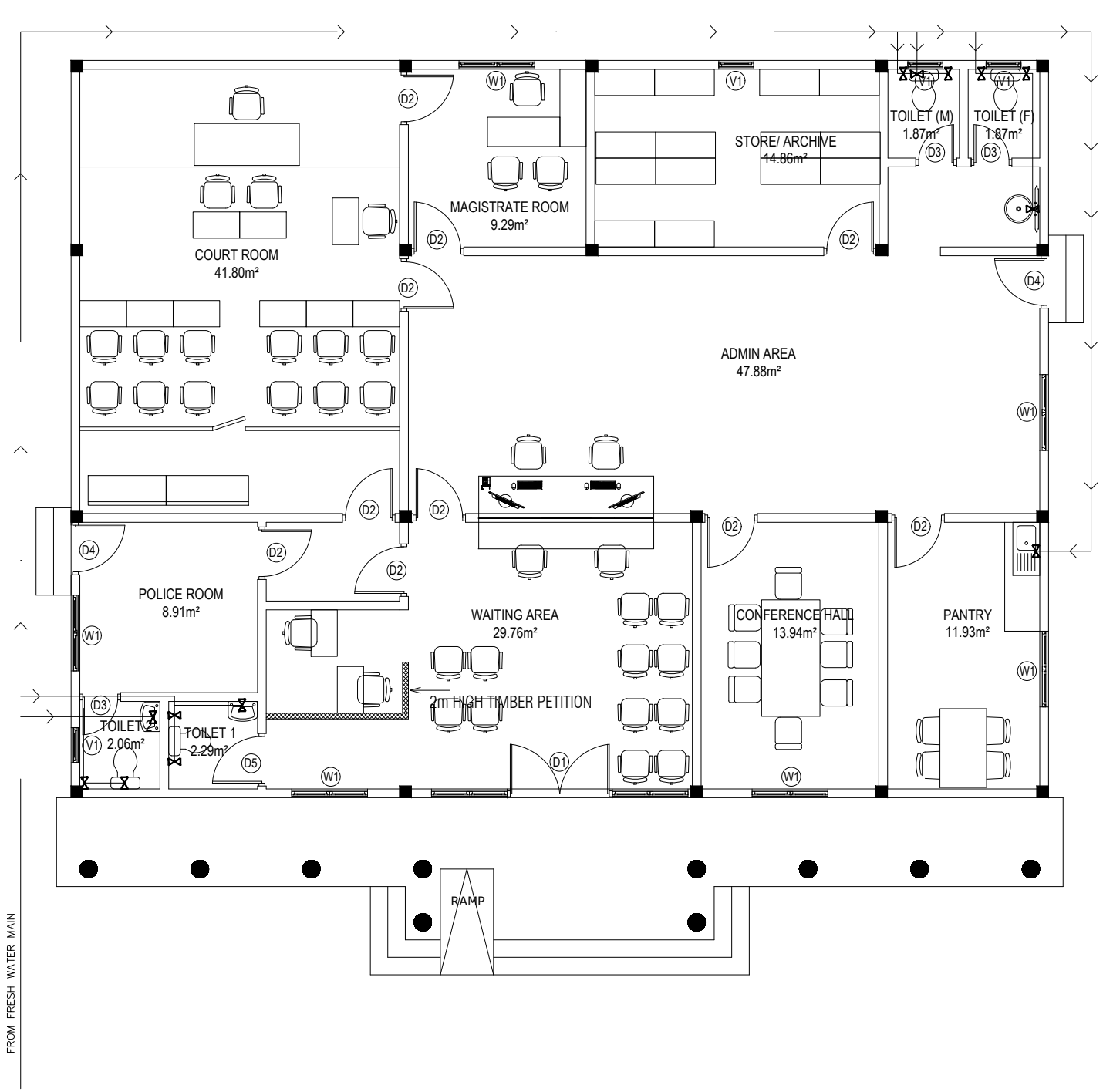
LEGEND	
	100mmØ PVC PIPE
	75mmØ PVC PIPE
	INSPECTION CHAMBER
	FLOOR DRAIN

WASTE WATER PIPE LINE
Scale 1:100



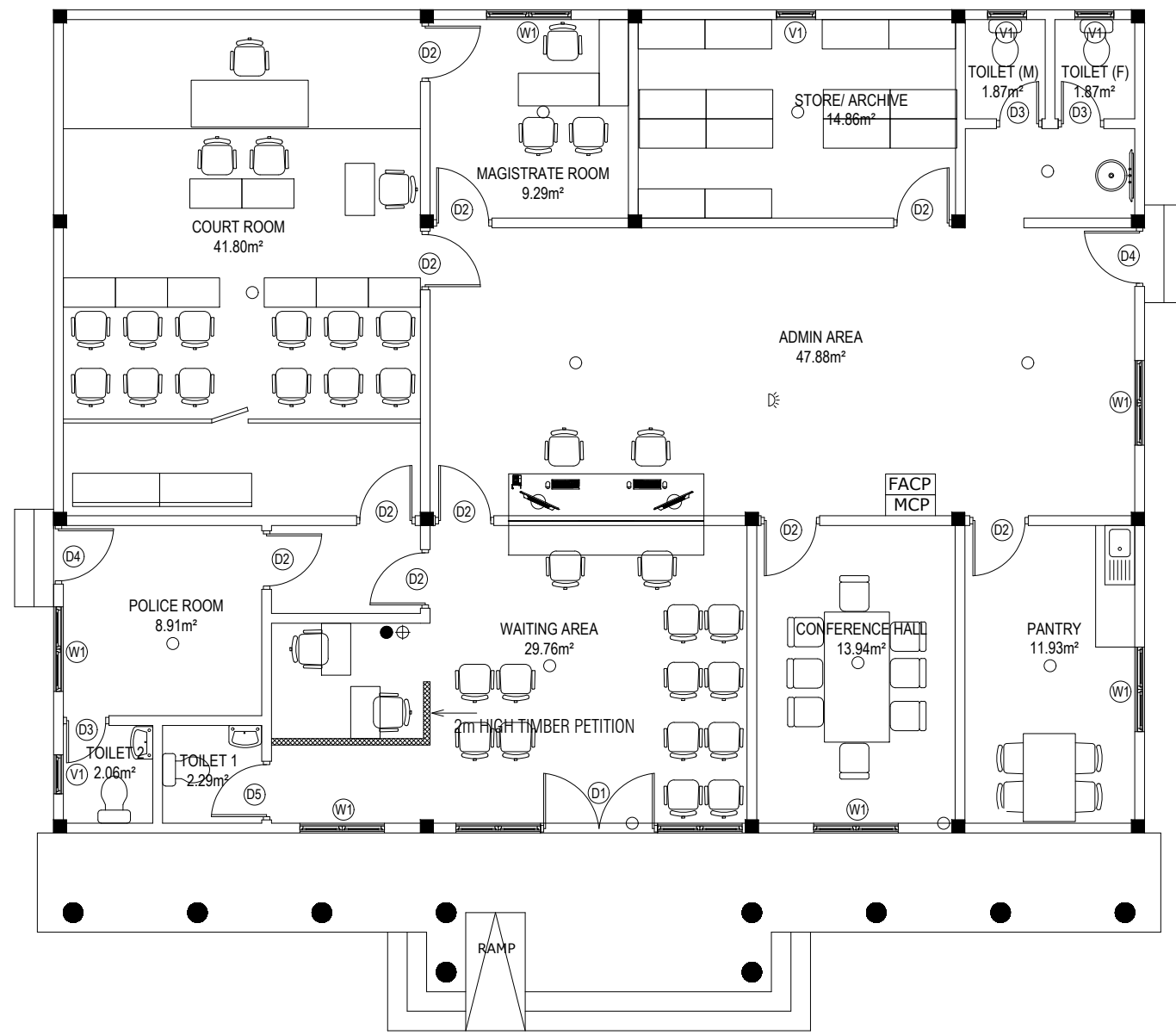
LEGEND	
	12mm \varnothing WELL WATER SUPPLY PIPE
	VALVE
	GROUND WATER PUMP
	WELL

GROUND WATER PIPE LINE
Scale 1:100



LEGEND	
	12mmØ WELL WATER SUPPLY PIPE
	VALVE

FRESH WATER PIPE LINE
Scale 1:100

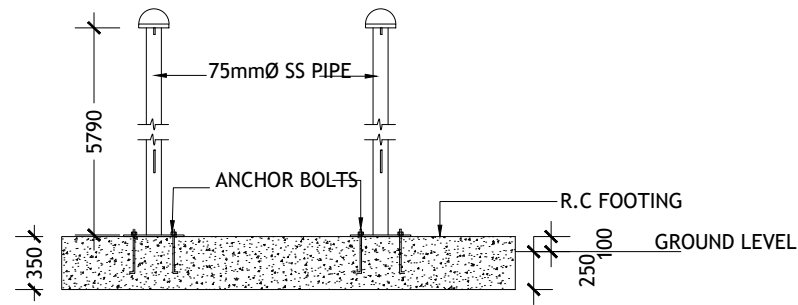


LEGEND	
○	SMOKE DETECTOR
⊕	9 LITER H2O FIRE EXTINGUISHER
●	2KG CO2 FIRE EXTINGUISHER
☙	FIRE ALARM SOUND STROBE 85DS
FACP	FIRE ALARM CONTROL PANEL
MCP	MANUAL CALL POINT

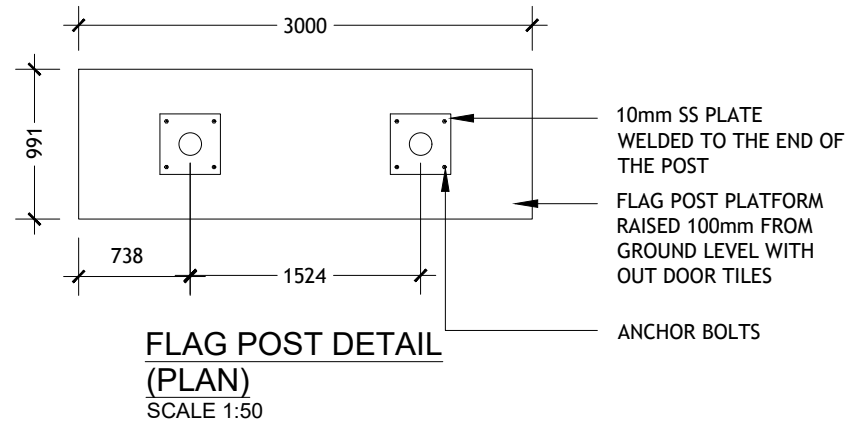
NOTE: ALL CABLE MUST BE FIRE RESISTANT CABLE

FIRE FIGHTING SYSTEM
Scale 1:100

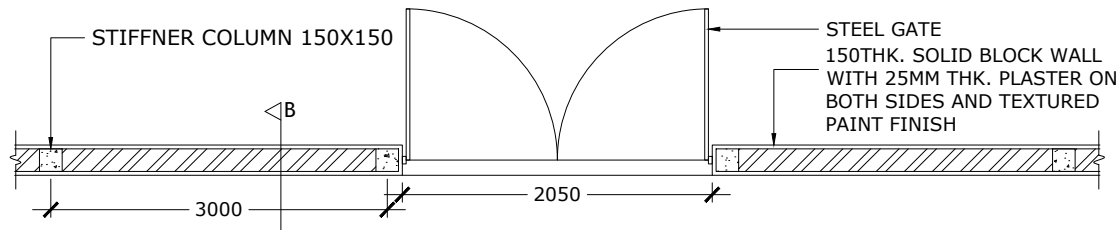
COUNTER DETAIL
(SECTION)
SCALE 1:50



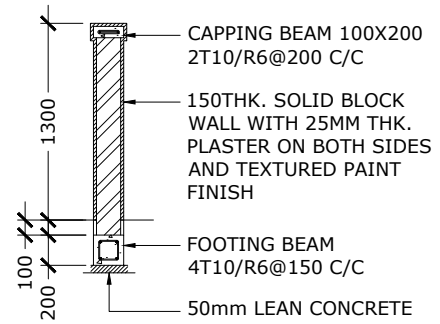
FLAG POST DETAIL
(SECTION)
SCALE 1:50



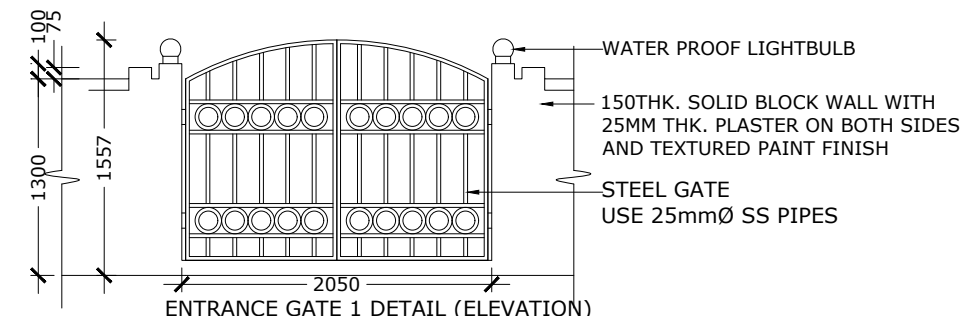
FLAG POST DETAIL
(PLAN)
SCALE 1:50



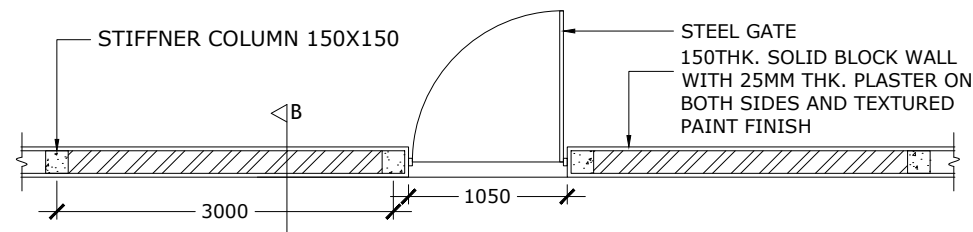
BOUNDARY WALL / ENTRANCE GATE 1 DETAIL
(PLAN)
SCALE 1:50



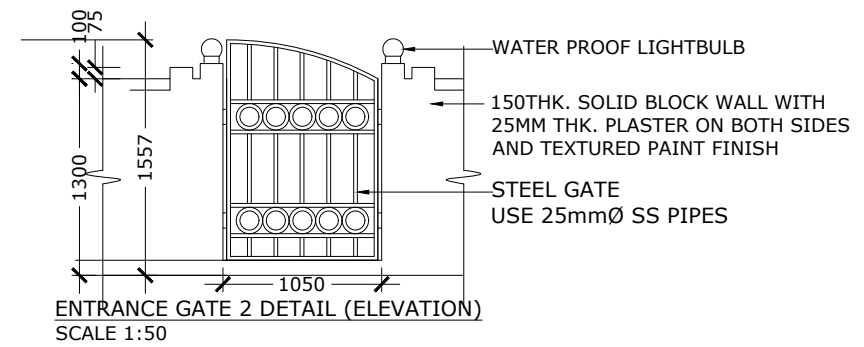
BOUNDARY WALL DETAIL
(SECTION-B)
SCALE 1:50



ENTRANCE GATE 1 DETAIL (ELEVATION)
SCALE 1:50

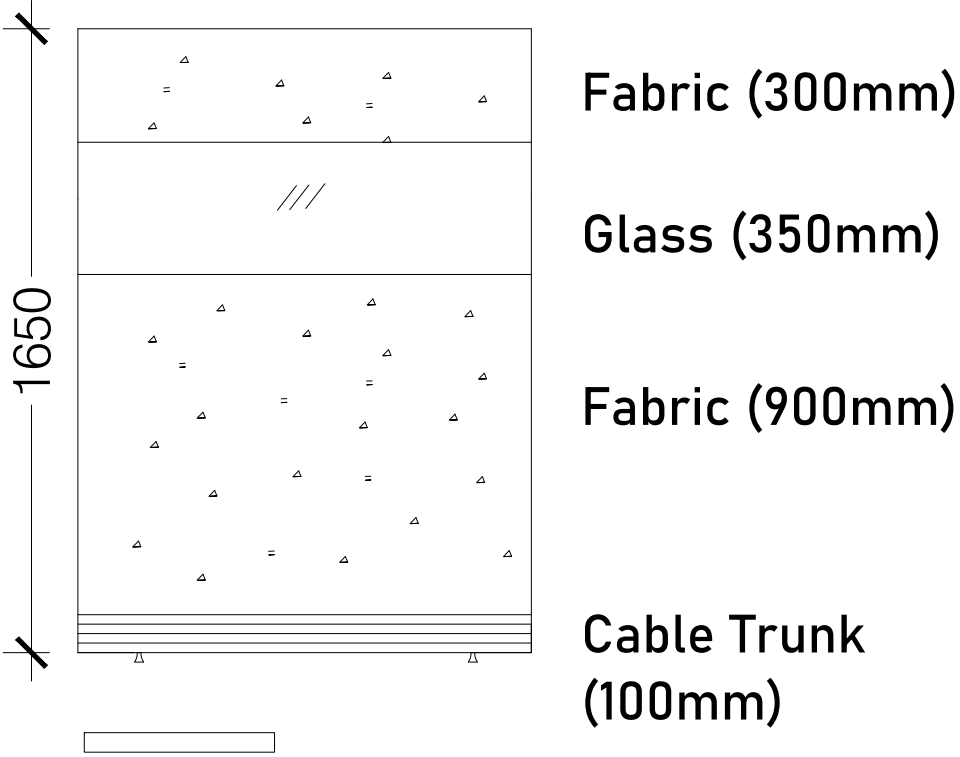
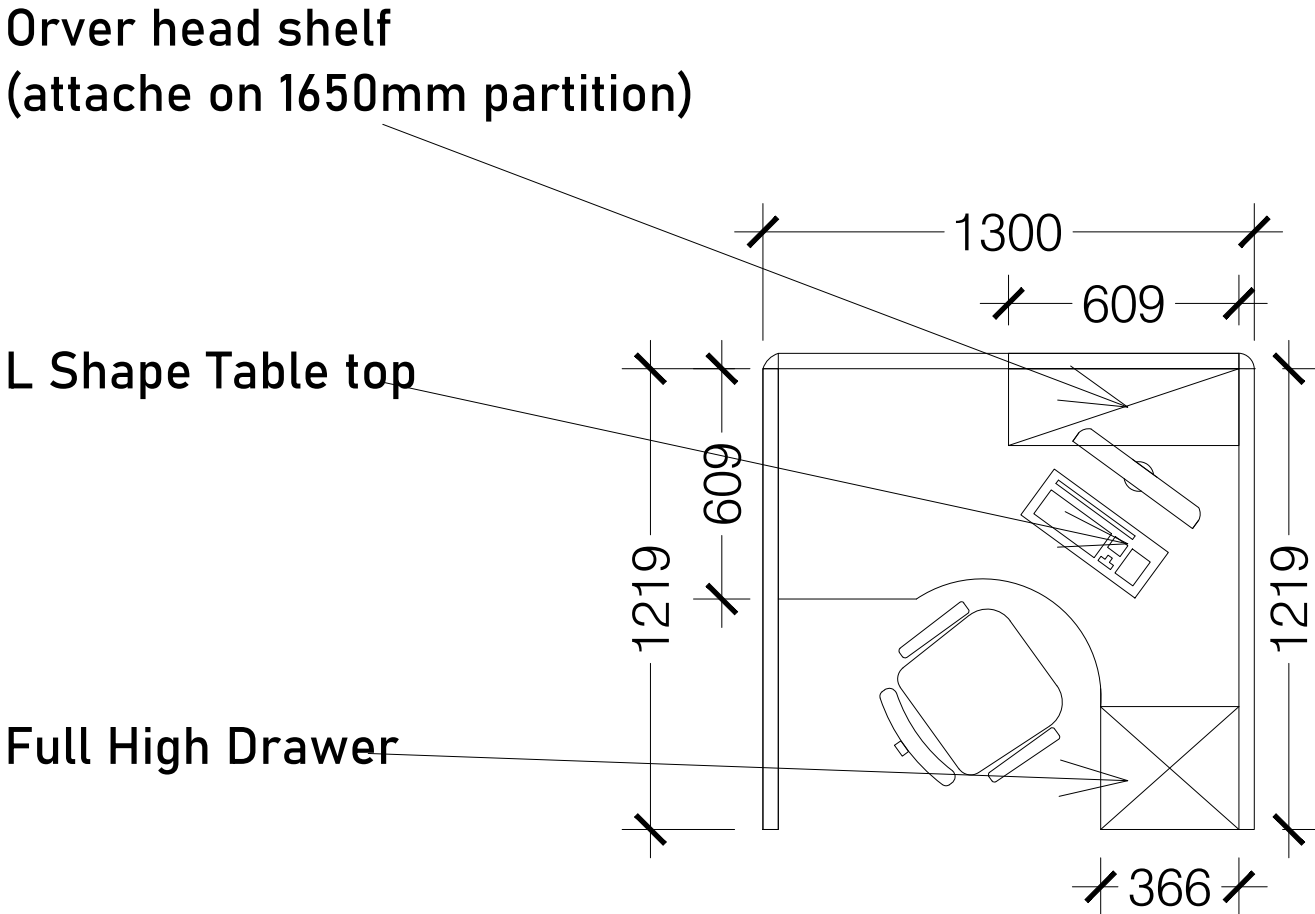


BOUNDARY WALL / ENTRANCE GATE 2 DETAIL
(PLAN)
SCALE 1:50

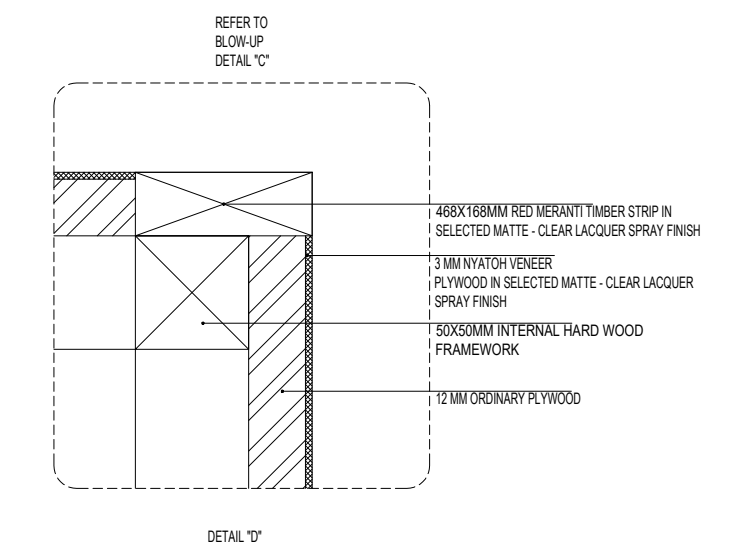
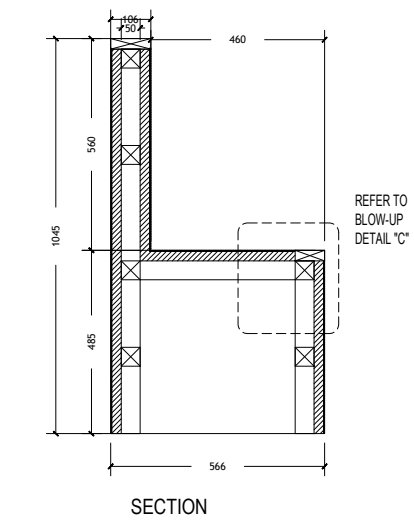
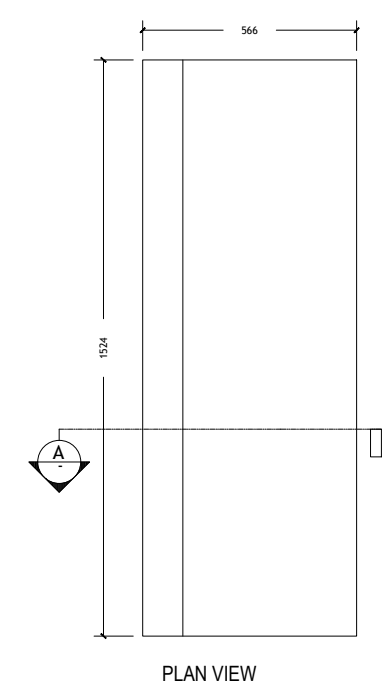
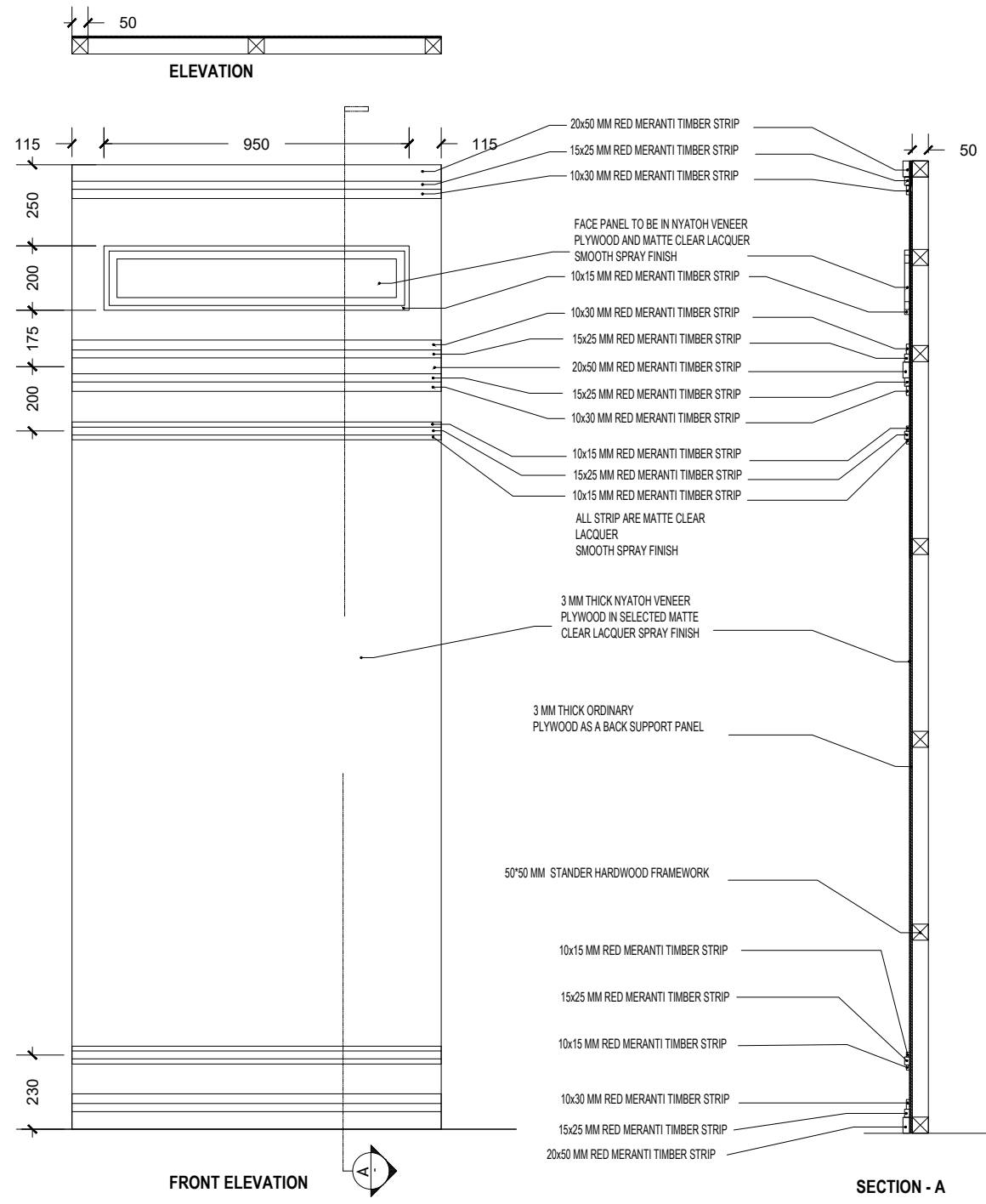


ENTRANCE GATE 2 DETAIL (ELEVATION)
SCALE 1:50

Work Station

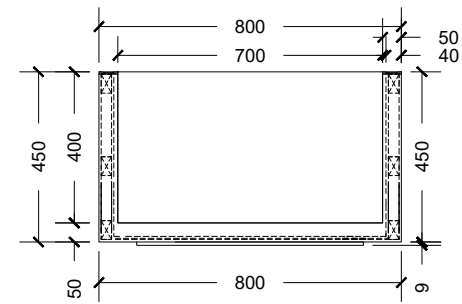


1650mm High Partition with Glass & Cable Trunk & Over Head shelf

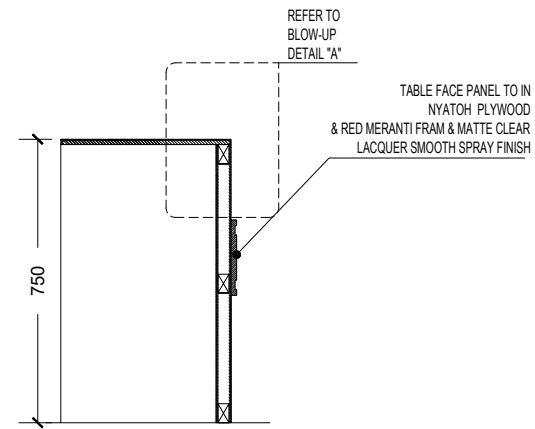


COURT ROOM BACK PANEL
SCALE 1:20

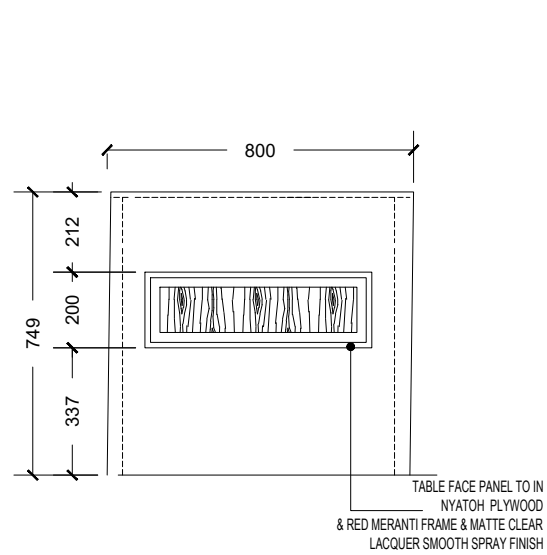
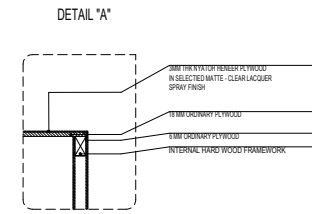
BENCH DETAILS



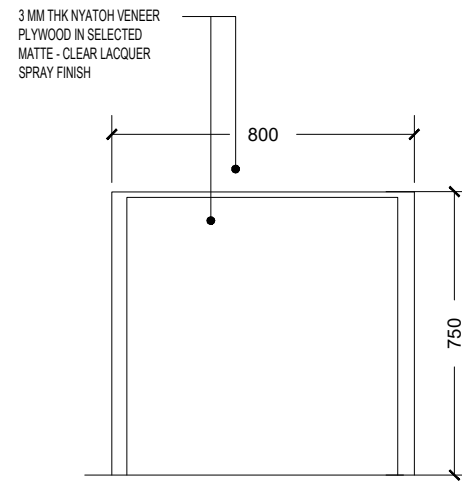
PLAN VIEW



SECTION



FRONT ELEVATION



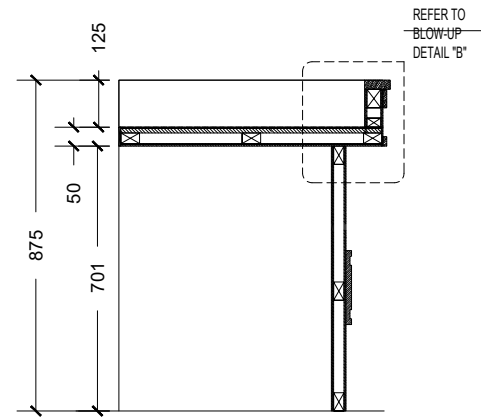
REAR ELEVATION

NOTE:

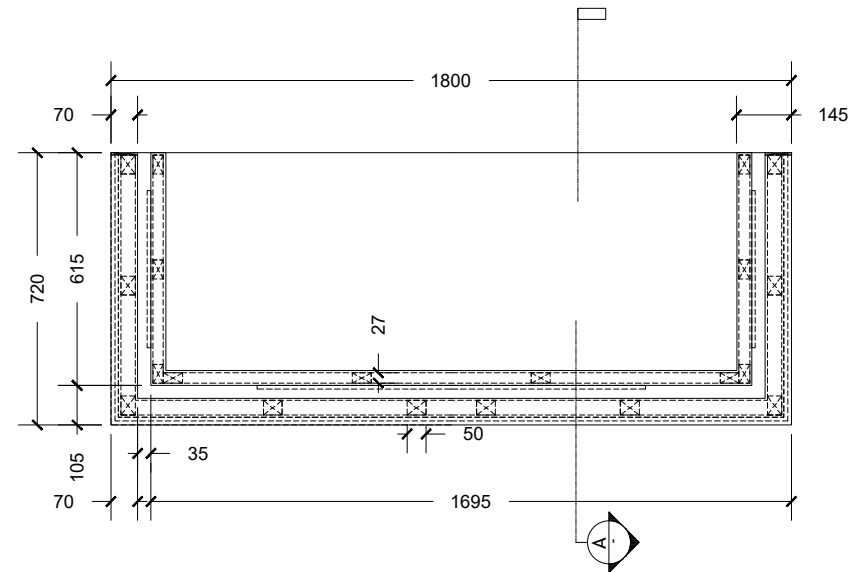
ALL TIMBERS WHICH ARE USED FOR THE STANDARD EXTERNAL FRAMEWORK TO BE APPLIED WITH SOLIGNUM TIMBER TREATMENT CHEMICAL OR EQUIVALENT, 24 HOURS BEFORE USING ON THE FRAMEWORK.

ALL SIDES TO BE FINISHED WITH NATURAL VENEER OF THE SAME WOOD USED ON THE RESPECTIVE PART OF THE FURNITURE.

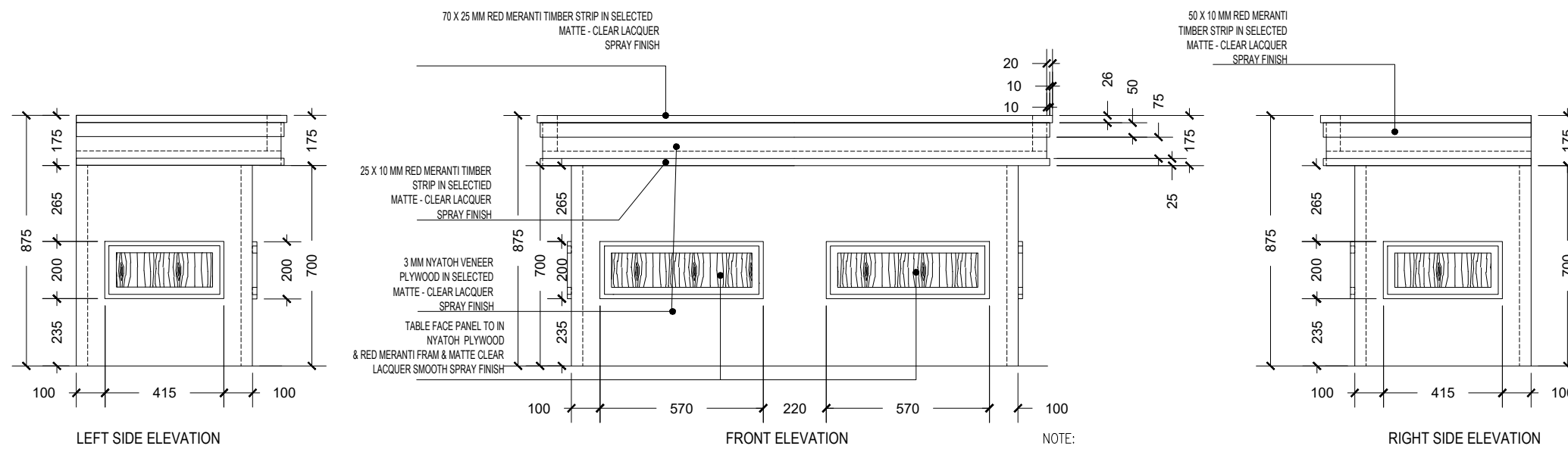
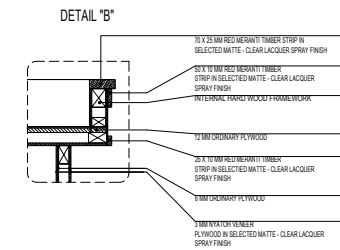
REGISTRARS'/LAWYER'S/WITNESS' TABLE
TABLE DETAILS



SECTION



PLAN VIEW



LEFT SIDE ELEVATION

FRONT ELEVATION

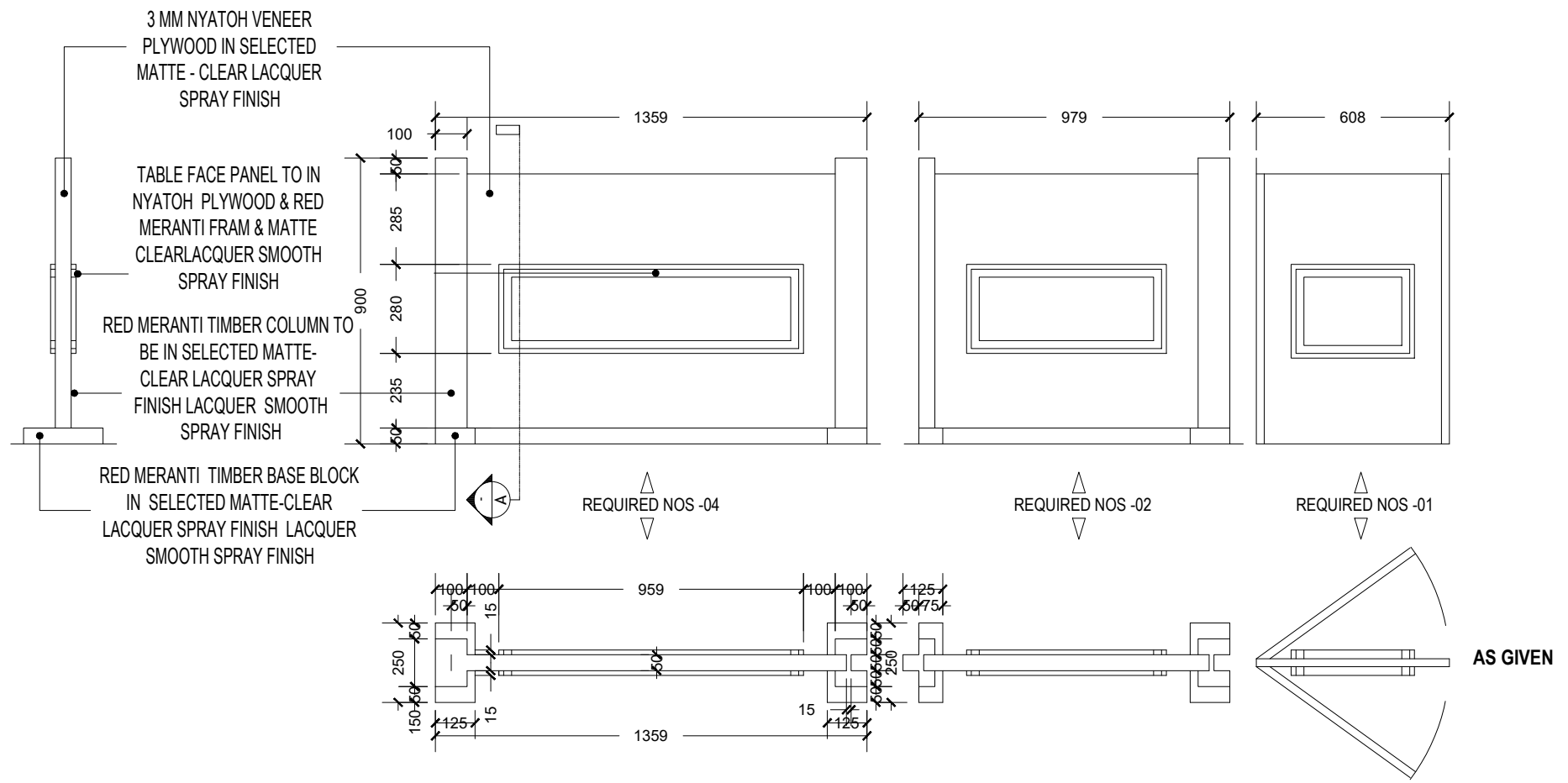
RIGHT SIDE ELEVATION

JUDGE PANEL TABLE
TABLE DETAILS

NOTE:

ALL TIMBERS WHICH ARE USED FOR THE STANDARD EXTERNAL FRAMEWORK TO BE APPLIED WITH SOLIGNUM TIMBER TREATMENT CHEMICAL OR EQUIVALENT, 24 HOURS BEFORE USING ON THE FRAMEWORK.

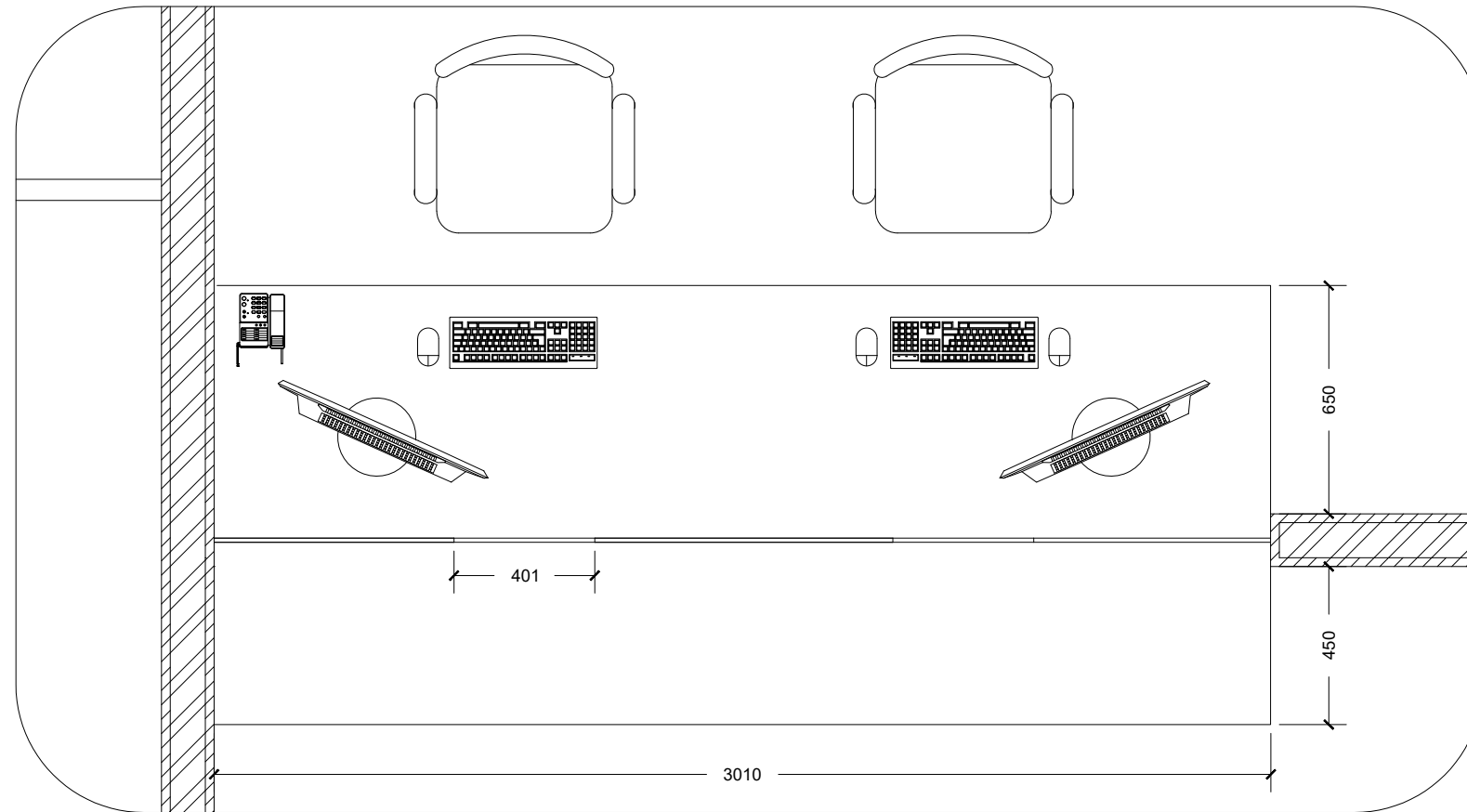
ALL SIDES TO BE FINISHED WITH NATURAL VENEER OF THE SAME WOOD USED ON THE RESPECTIVE PART OF THE FURNITURE.



ALL THE TIMBERS WHICH ARE USED FOR THE STANDARD INTERNAL FRAME WORK TO BE APPLIED WITH SOLIGNUM TIMER TREATMENT CHEMICAL OR EQUIVALENT, 24HRS BEFORE USING ON THE FRAMEWORK

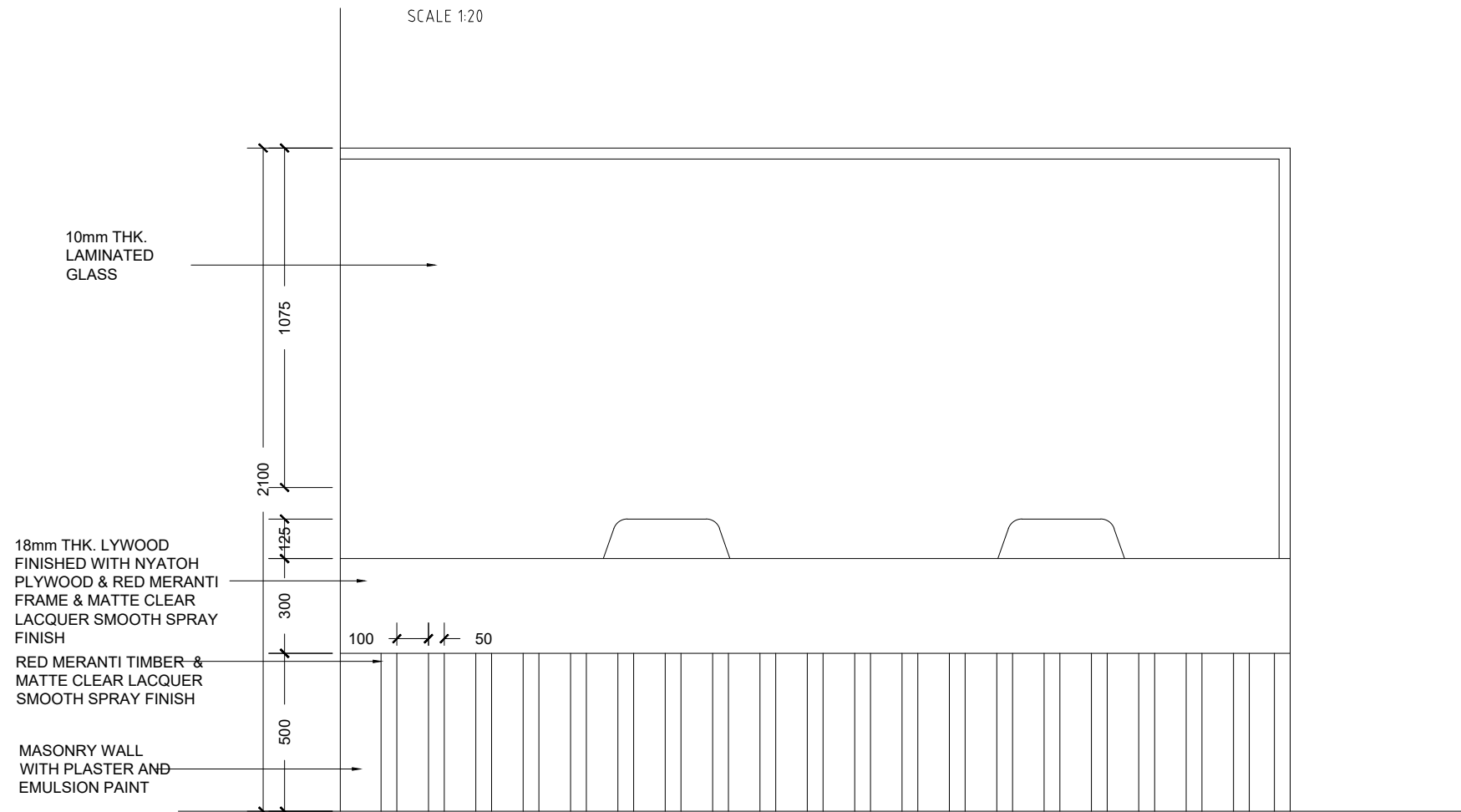
ALL THIN SIDE TO BE FINISHED WITH NATURAL VENEER OF THE SAME WOOD USED ON THE RESPECTIE PART OF THE FURNITURE

 **DIVIDER PARTITION DETAIL**
1:20



RECEPTION COUNTER PLAN

SCALE 1:20



10mm THK.
LAMINATED
GLASS

18mm THK. LYWOOD
FINISHED WITH NYATOH
PLYWOOD & RED MERANTI
FRAME & MATTE CLEAR
LACQUER SMOOTH SPRAY
FINISH

RED MERANTI TIMBER &
MATTE CLEAR LACQUER
SMOOTH SPRAY FINISH

MASONRY WALL
WITH PLASTER AND
EMULSION PAINT

GROUND FLOOR
LEVEL

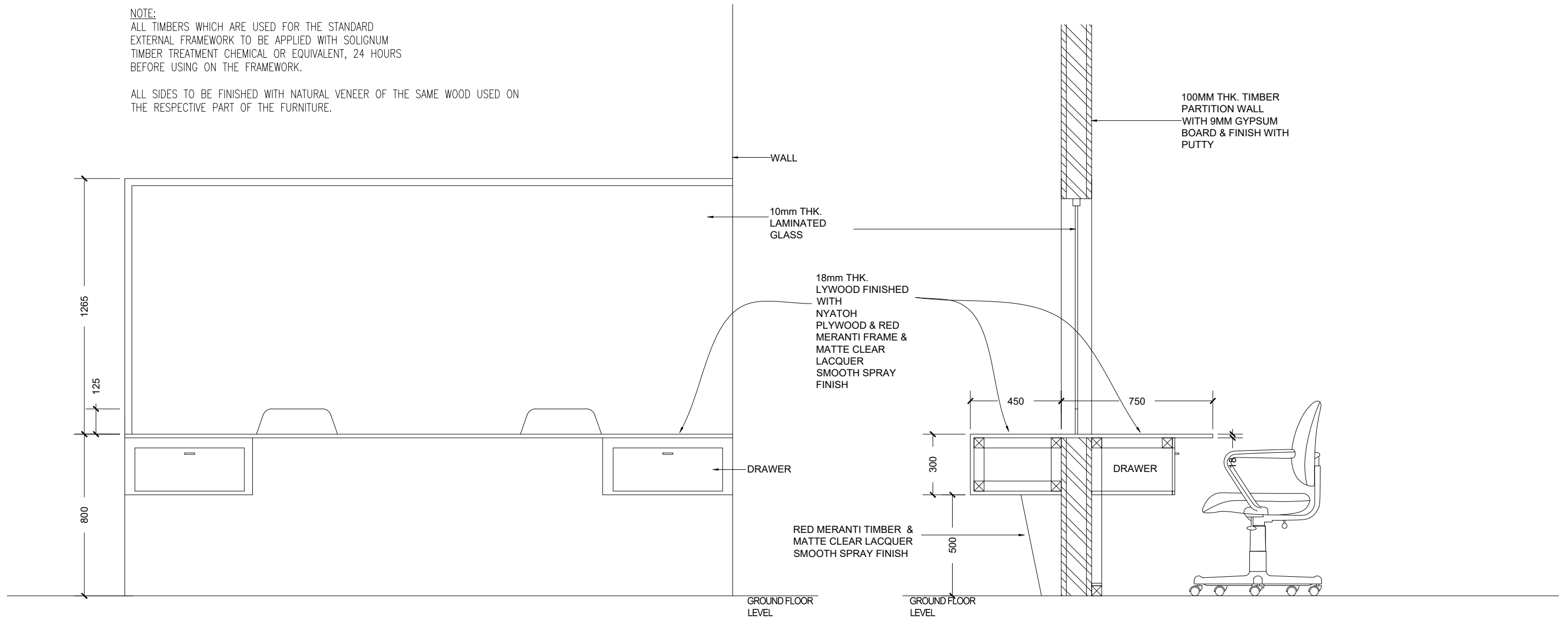
RECEPTION COUNTER FRONT ELEVATION

SCALE 1:20

NOTE:

ALL TIMBERS WHICH ARE USED FOR THE STANDARD EXTERNAL FRAMEWORK TO BE APPLIED WITH SOLIGNUM TIMBER TREATMENT CHEMICAL OR EQUIVALENT, 24 HOURS BEFORE USING ON THE FRAMEWORK.

ALL SIDES TO BE FINISHED WITH NATURAL VENEER OF THE SAME WOOD USED ON THE RESPECTIVE PART OF THE FURNITURE.

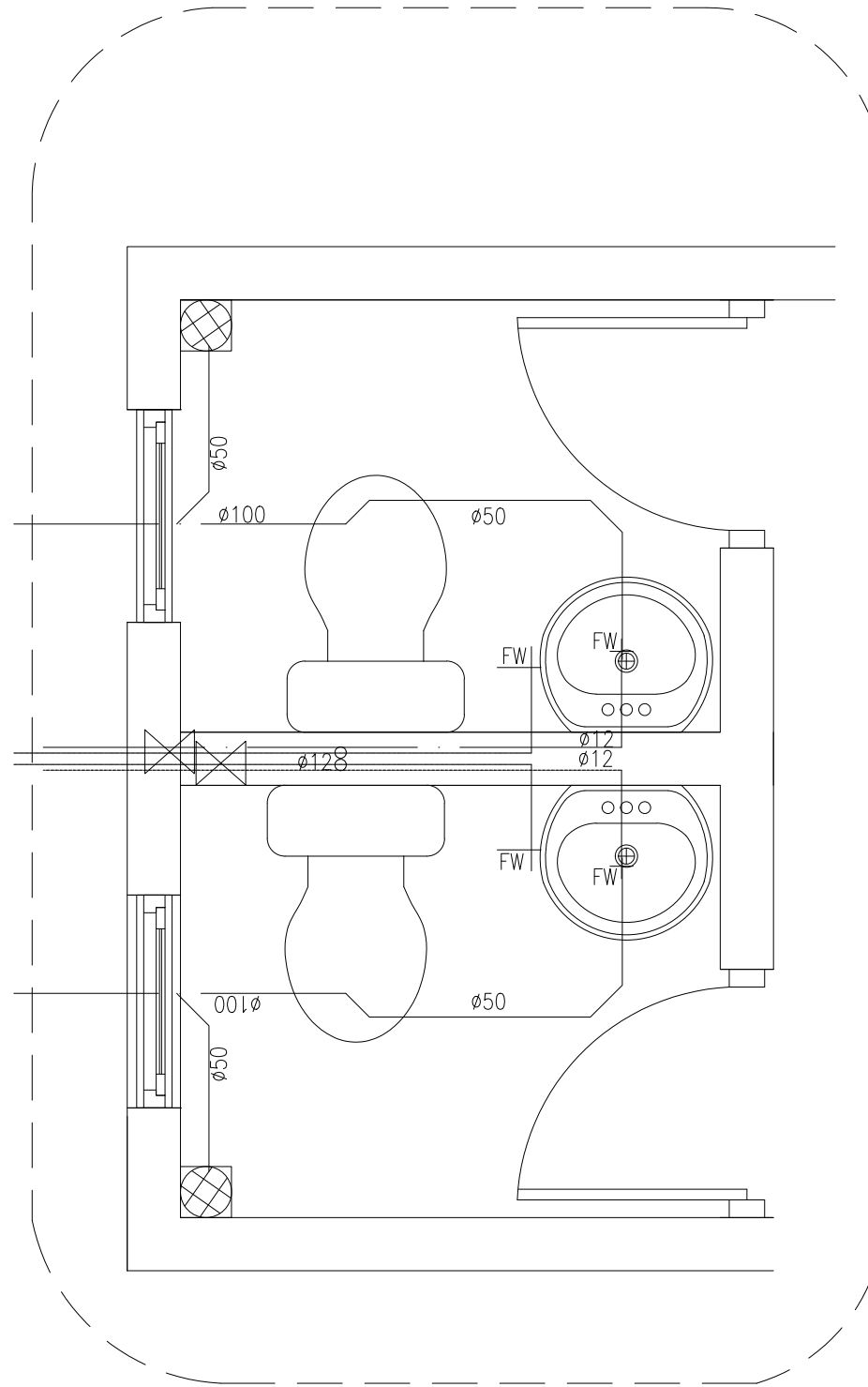
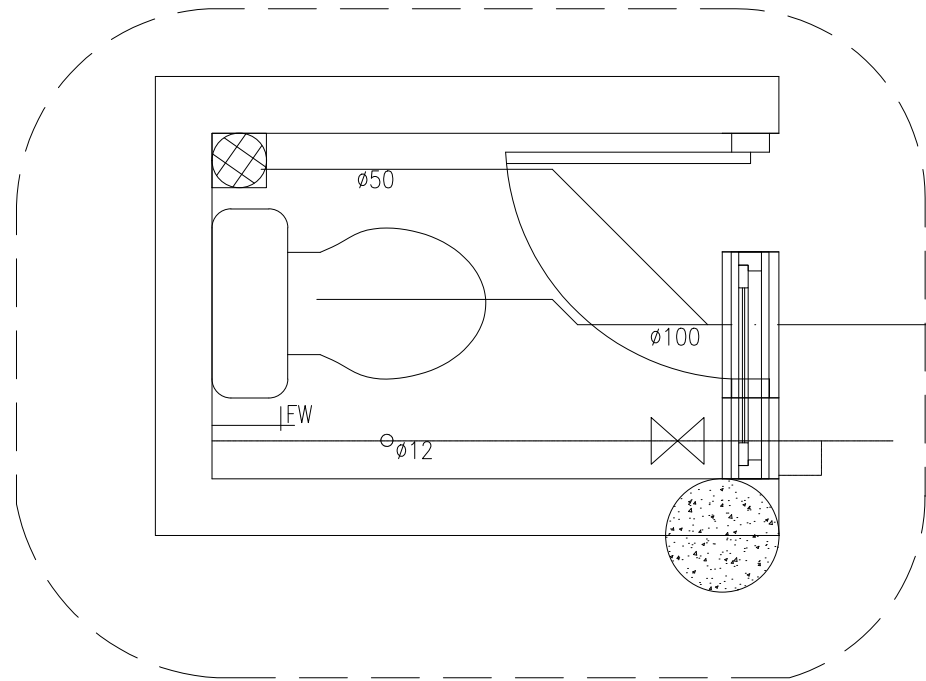


RECEPTION COUNTER REAR ELEVATION

SCALE 1:20

RECEPTION COUNTER SECTION

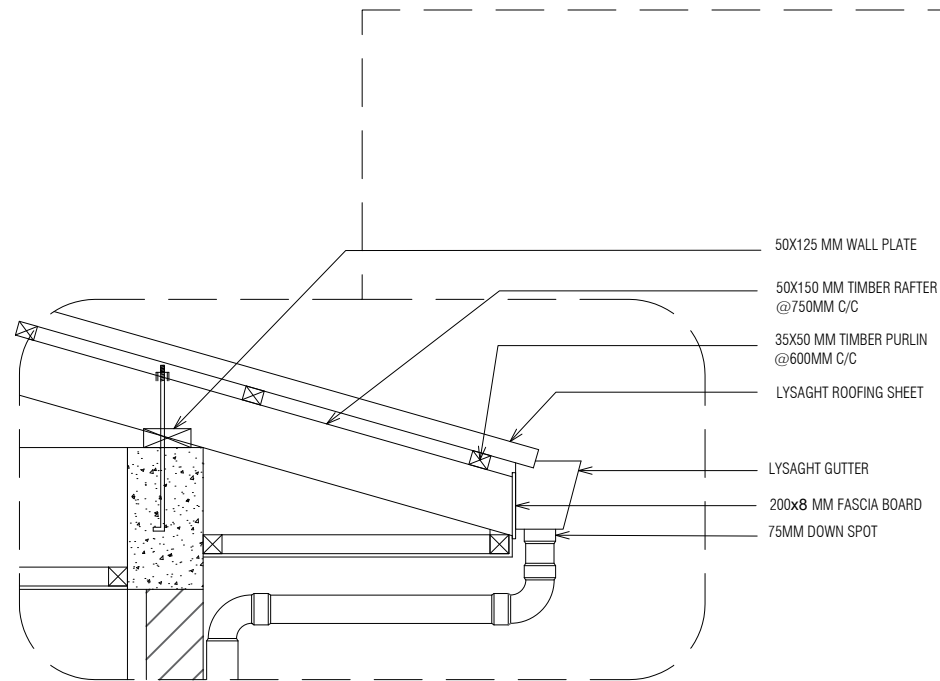
SCALE 1:20



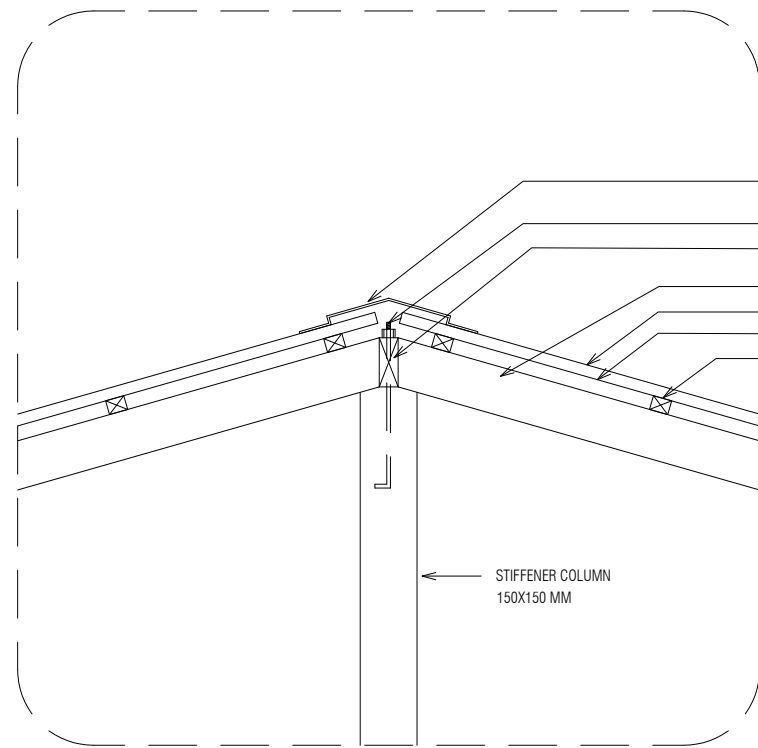
- SYMBOLS LEGEND (PLUMBING)**
- Soil Waste pipe
 - 50mm Ø Waste pipe
 - 50mm Ø vent pipe
 - Ground well water pipe
 - ⊗ Stop gate valve
 - ⊘ Non return valve
 - Hand shower
 - FD ⊗ Floor drain with water tap
 - B Wash basin
 - KS Kitchen sink
 - WC Water closet
 - FW — Fresh water tap
 - GPE ⊗ Ground water pump (Electric)

PLUMBING DETAILS
SCALE 1:20

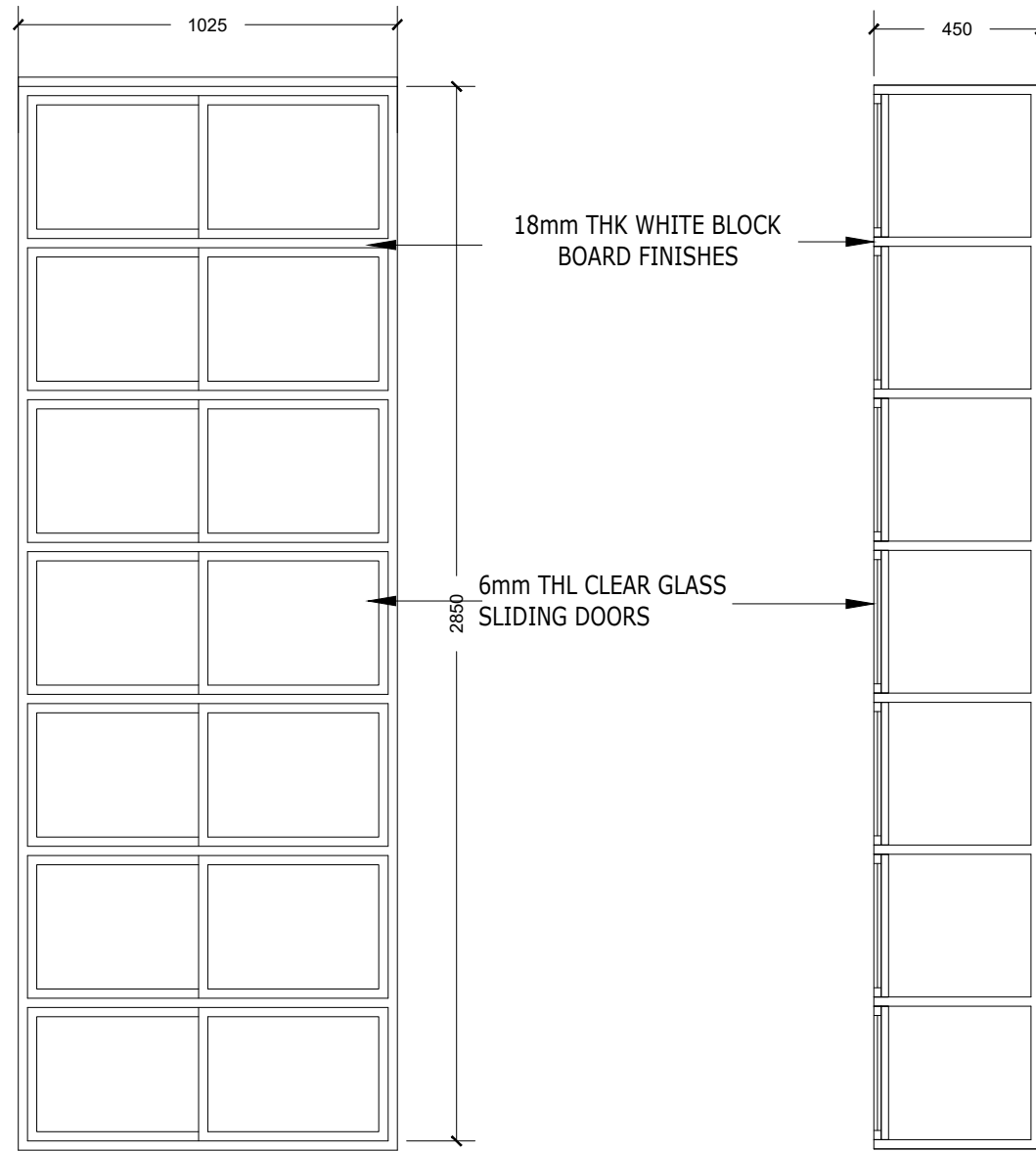
**DETAIL
01**



DETAIL AT 01
SCALE 1:20



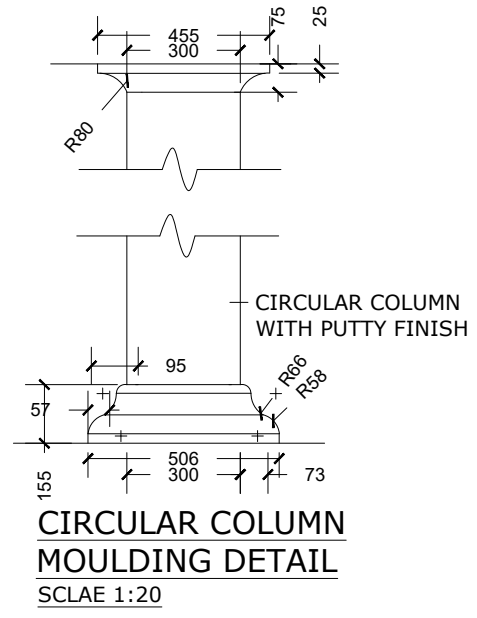
DETAIL AT 02
SCALE 1:20



RACK DETAIL (ELEVATION)

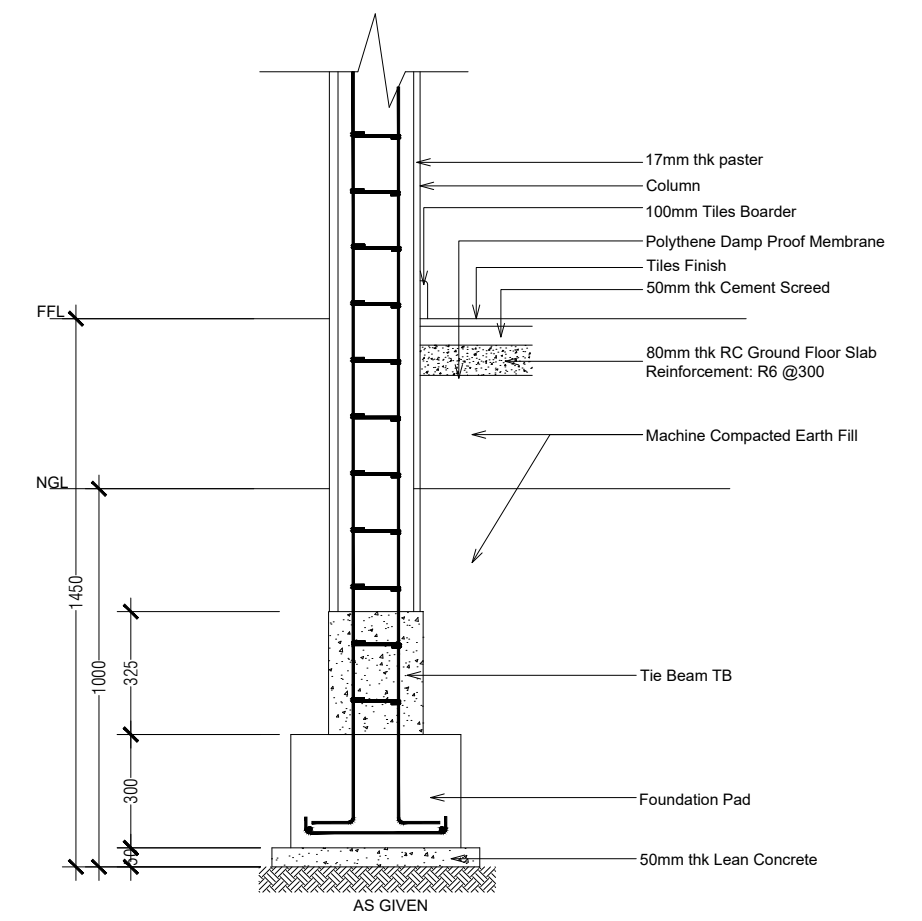
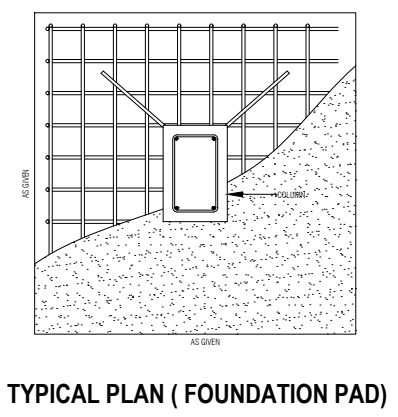
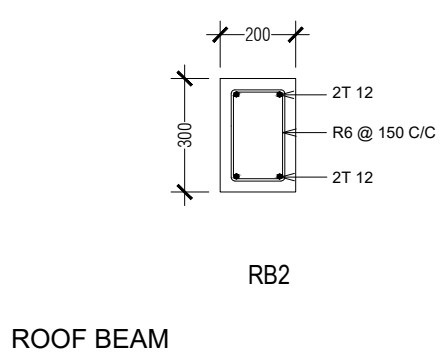
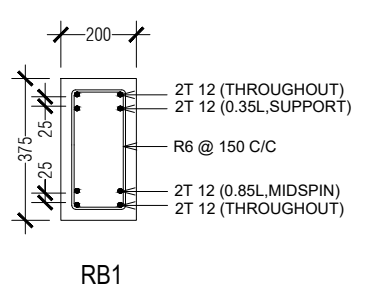
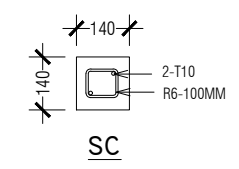
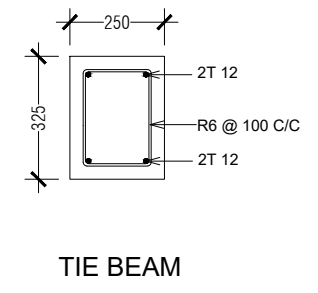
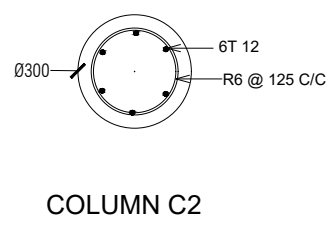
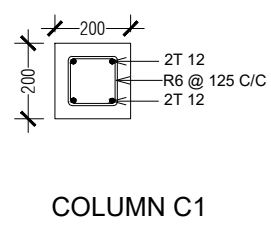
RACK DETAIL (SECTION)


RACK DETAILS
 1:20



NOTE:
FOUNDATION DEPTH 1000MM
FOOTING DETAILS
 F1 - 700 x 700 x 250 - 4T10 @ 200 mm mm C/C B/W B1 & B2
 F2 - 600 x 600 x 300 - 4T10 @ 200 mm C/C B/W B1 & B2
 COVER - 50mm (WITH 50mm SCREED)

GROUND SLAB DETAILS
 SLAB THICKNESS - 80mm
 R6-200mm C/C SINGLE NET



STRUCTURAL DETAIL
SCALE 1:20