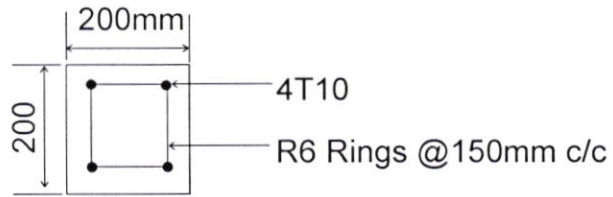
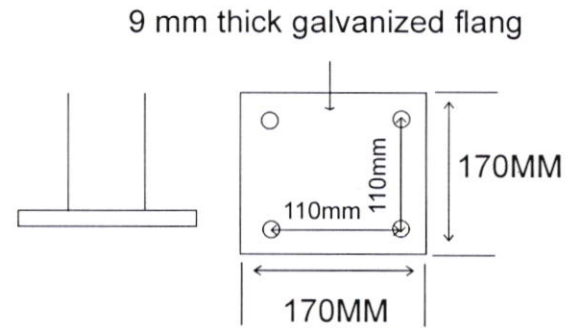


WALL DETAILS

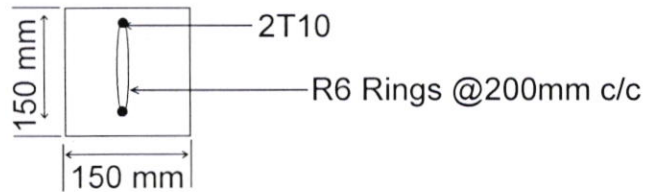
50mm GI PIPE MEMBERS AS COLUMNS



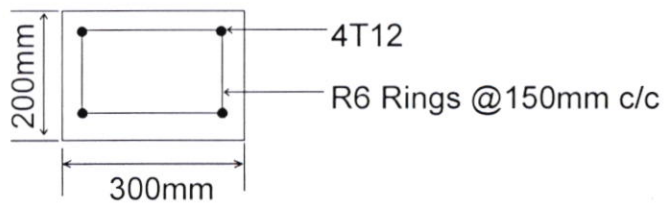
DETAIL-COLUMNS



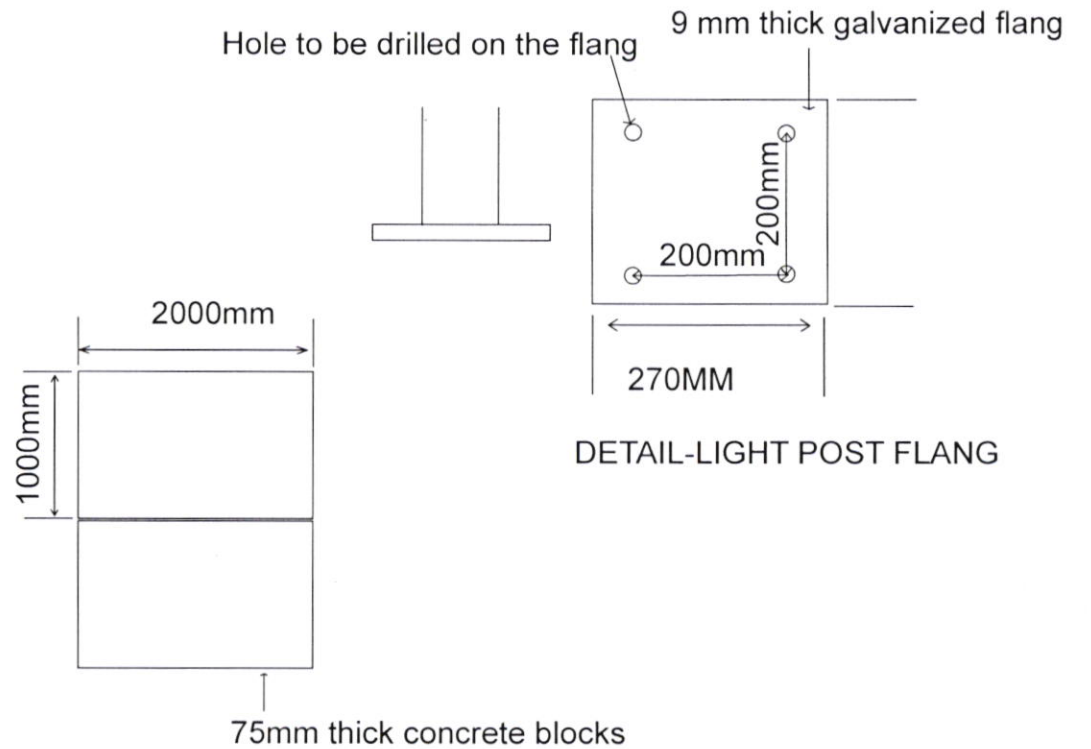
DETAIL-FENCE FLANG



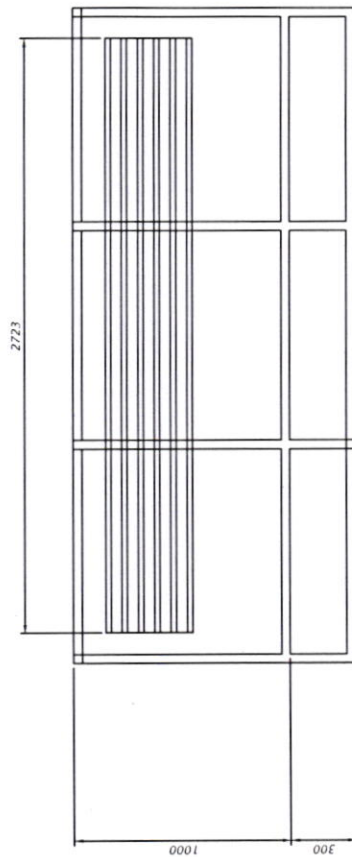
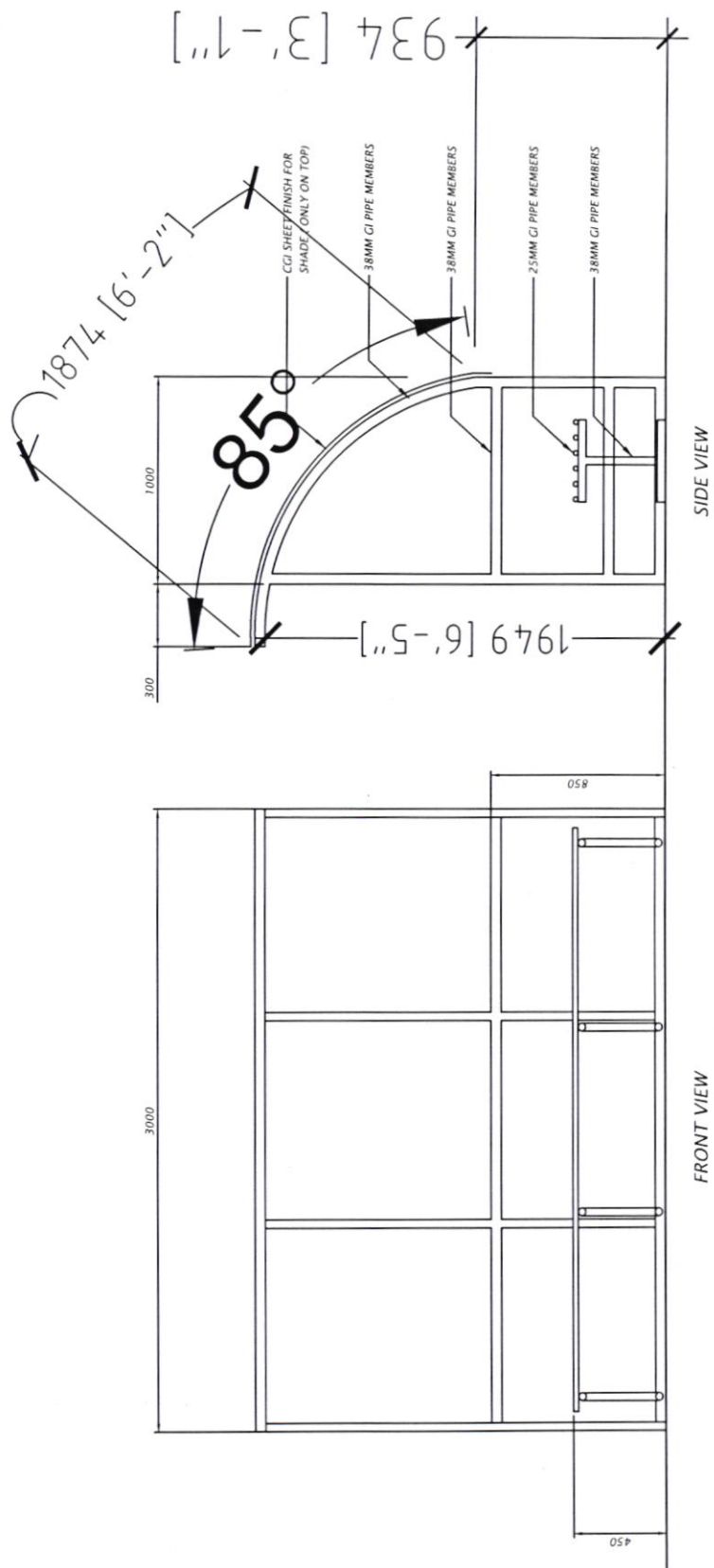
DETAIL-CAPPIN BEAM



DETAIL-FOUNDATION BEAM

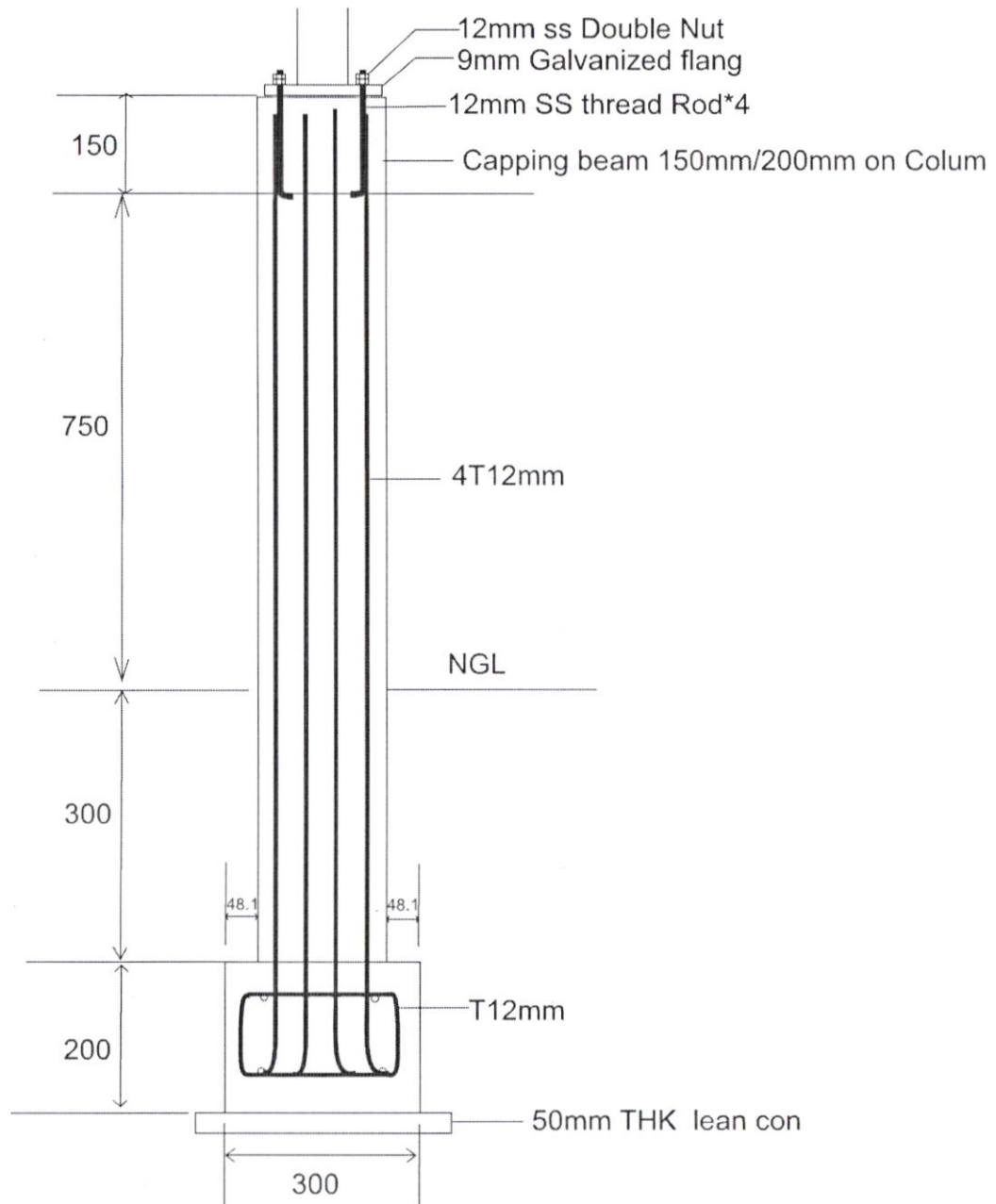


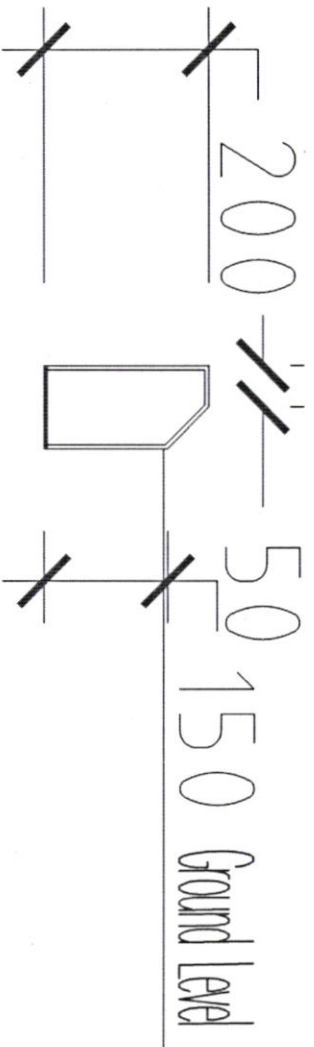
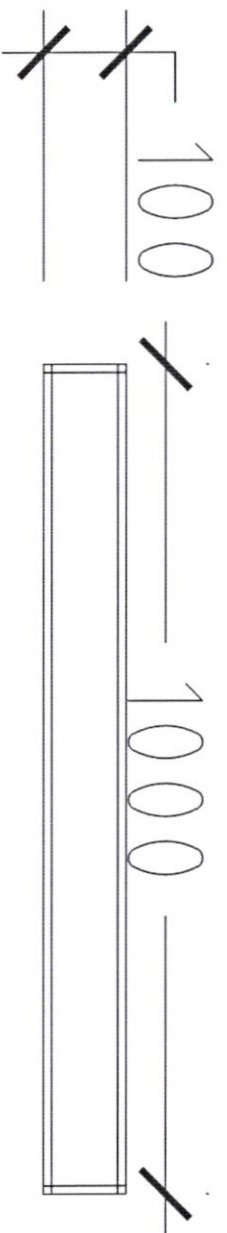
DETAIL-PAVING BLOCKS



DETAIL-GI BENCH  
Scale - 1:30

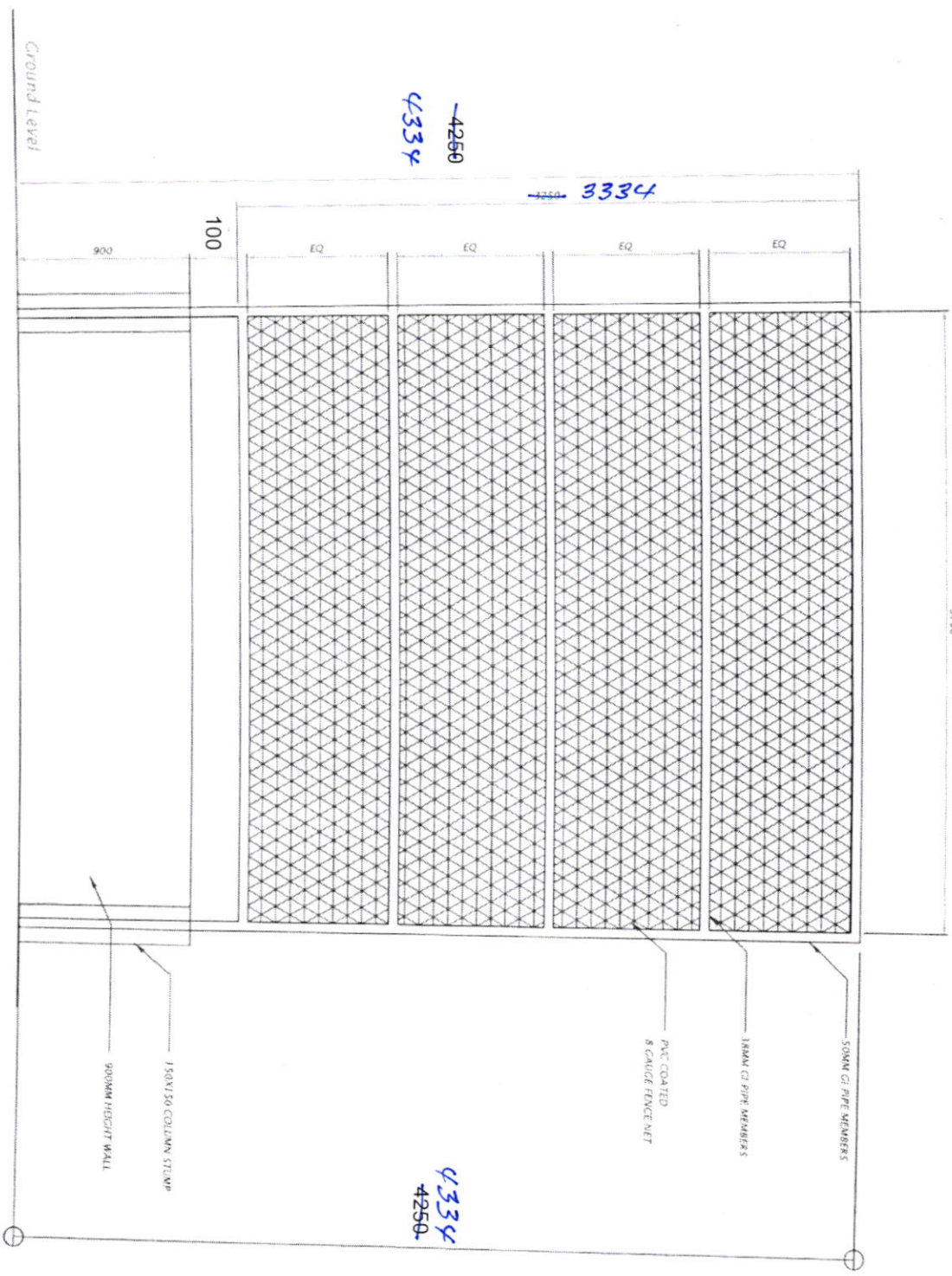
# DETAIL-COLUM





1000

# Curkoe Store Details



DETAIL-PVC FENCE  
Scale - 1:30

3150

-4250  
4334

3334

4334  
4250

30MM GI PIPE MEMBERS

30MM GI PIPE MEMBERS

PVC COATED  
8 GAUGE FENCE NET

150X150 COLUMN STUMP

900MM HEIGHT WALL

Ground Level

100

900

EQ

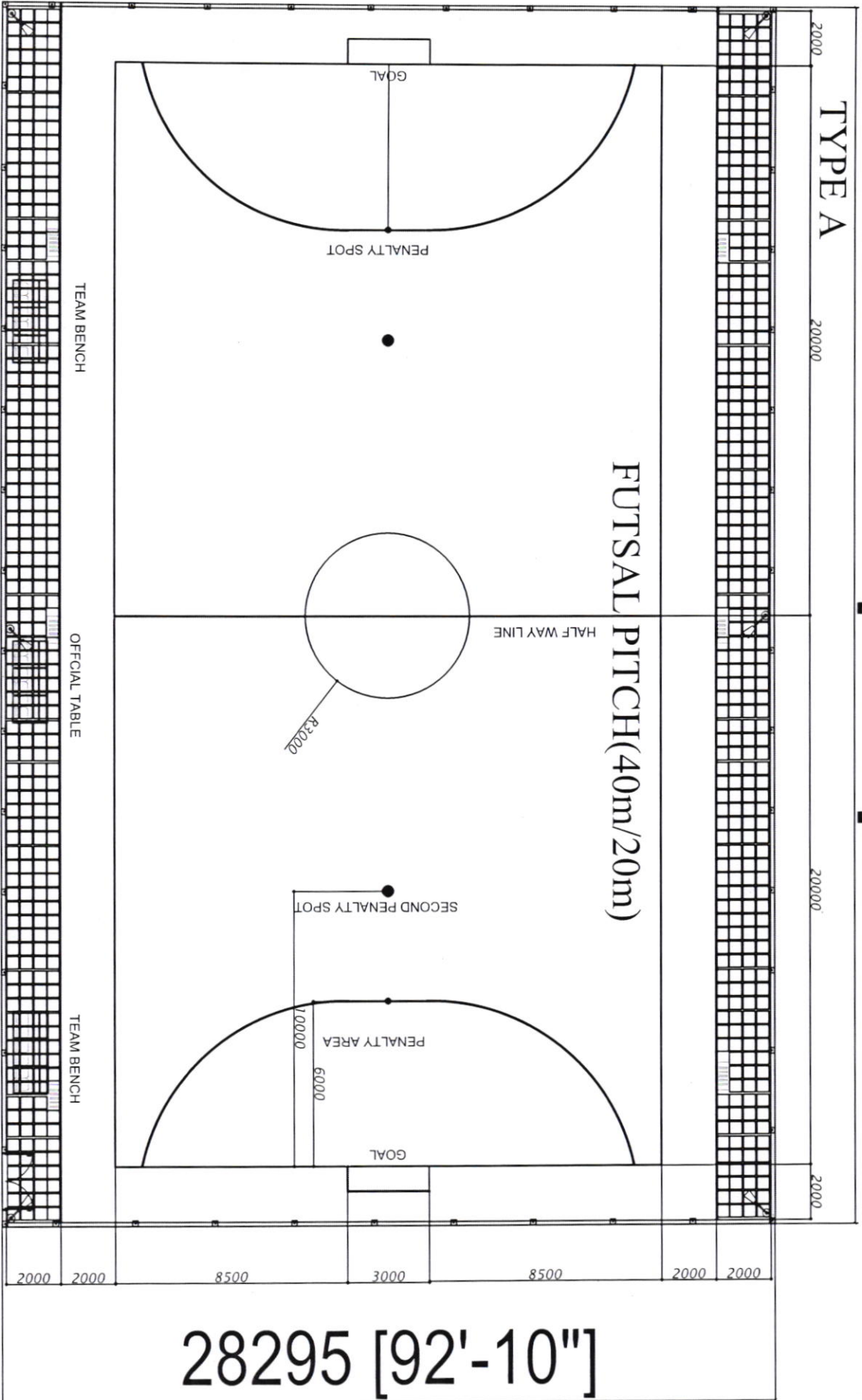
EQ

EQ

EQ

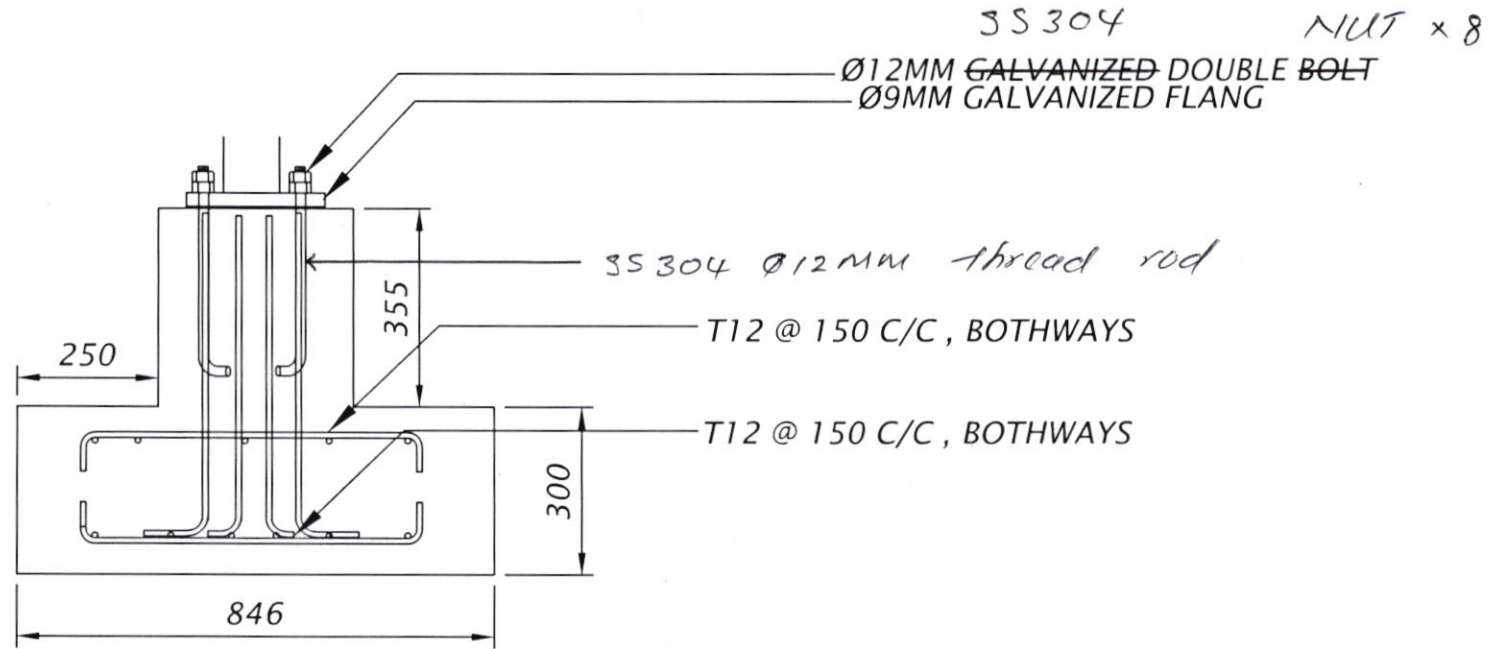
# 44311 [145'-5"]

TYPE A



FUTSAL PITCH PLAN

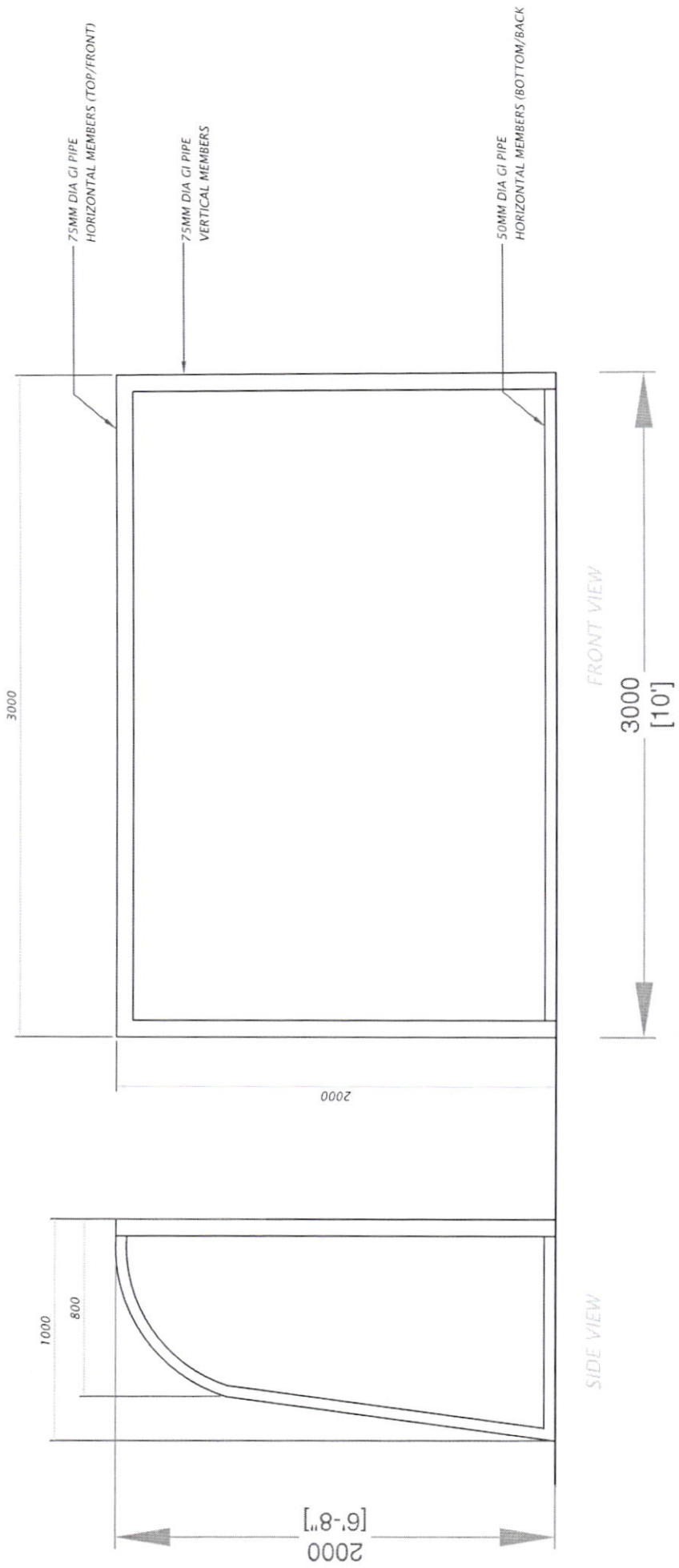
Scale - 1:200



# DETAIL - LIGHT POST

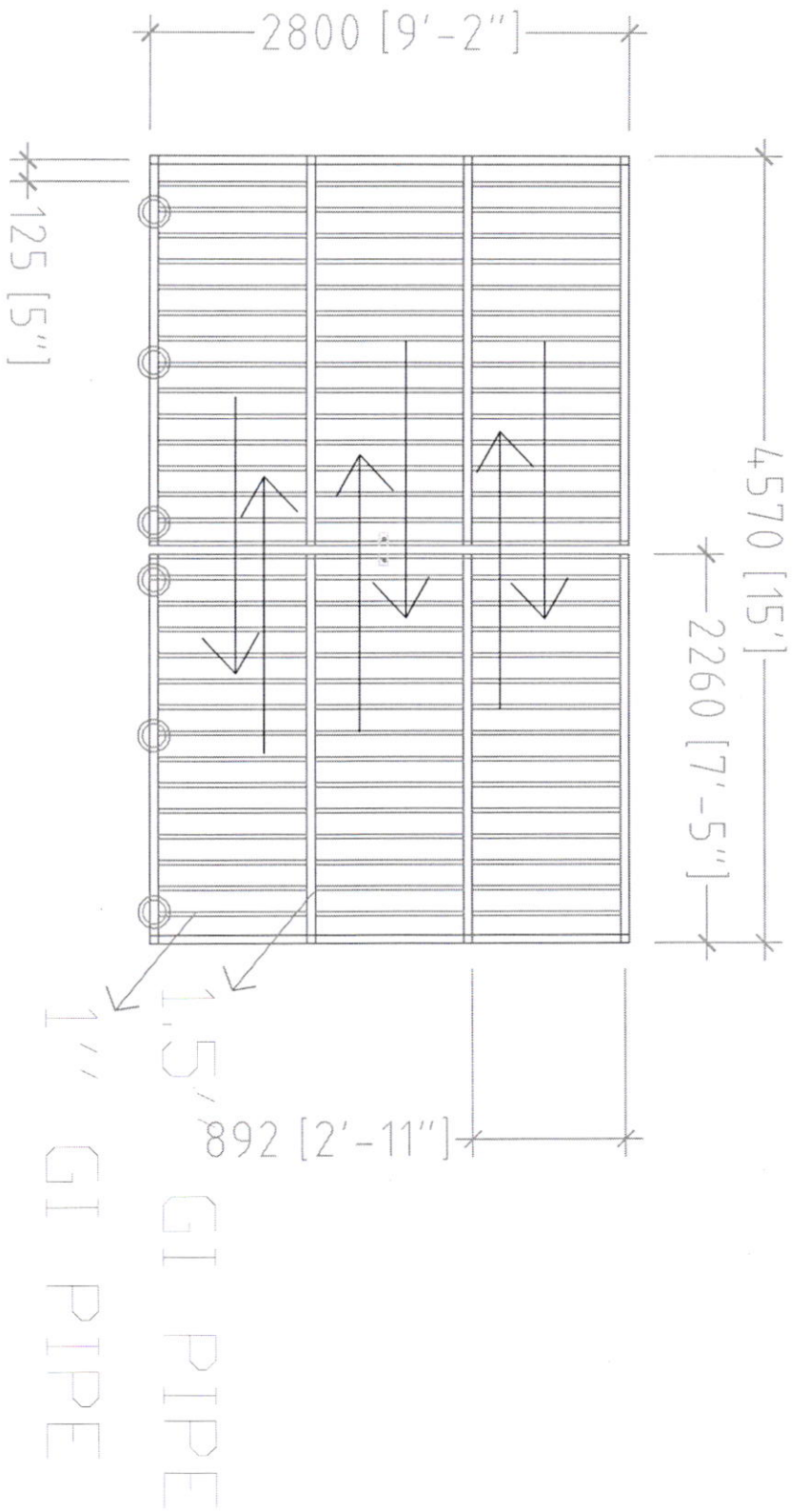
SCALE 1:15





**DETAIL-GOAL POST**  
 Scale - 1:20

# GATE DETAILS



75mm (3")

150MM (6")

2.5 ft

38mm GI Pipe

2.5 ft

50mm GI Pipe

25mm GI Pipe

2.5 ft

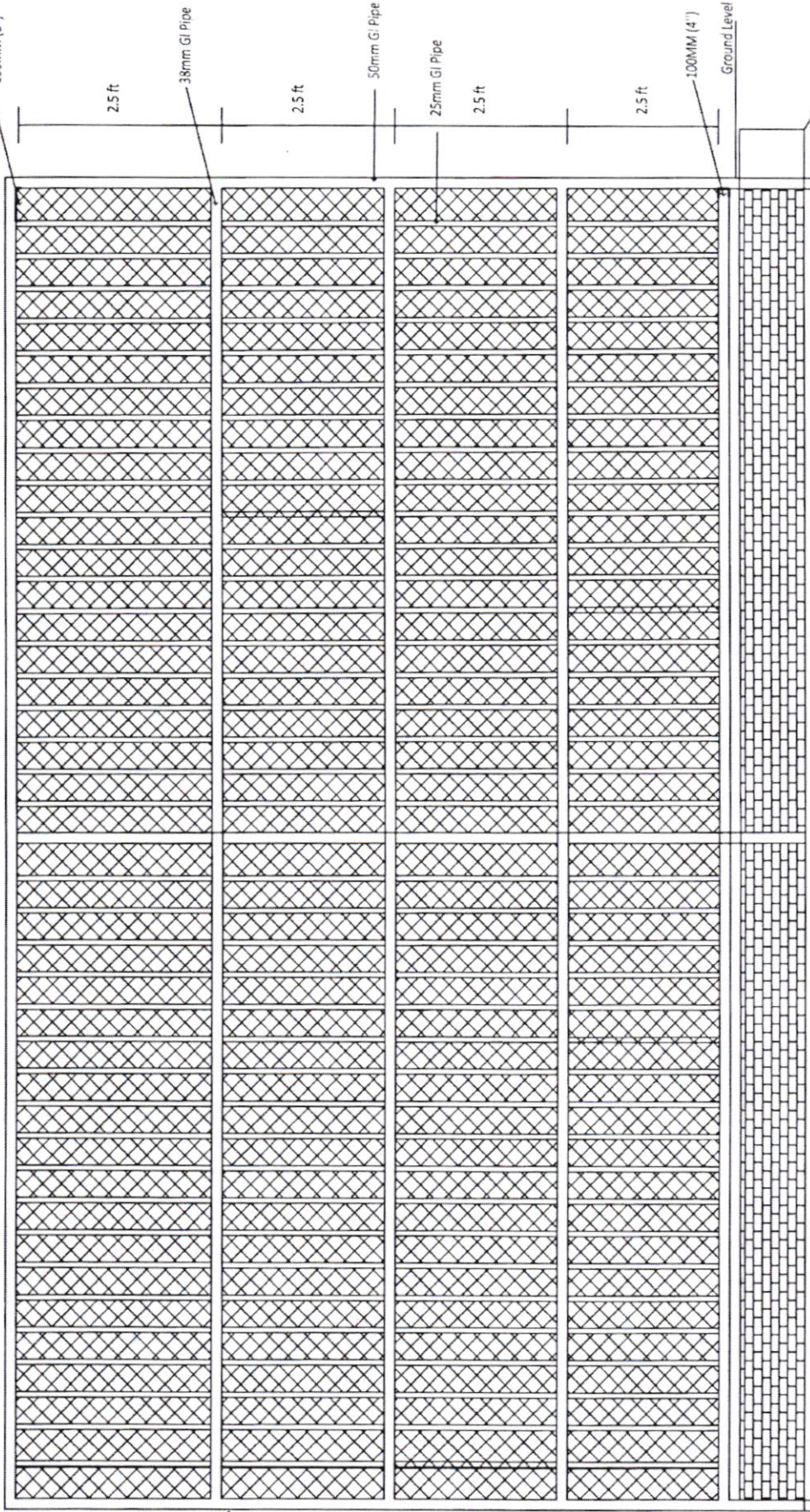
2.5 ft

100MM (4")

Ground Level

6196 [20'-4"]

3334 [10'-11"]



FUTSAL GROUND GOAL FENCING DETAIL

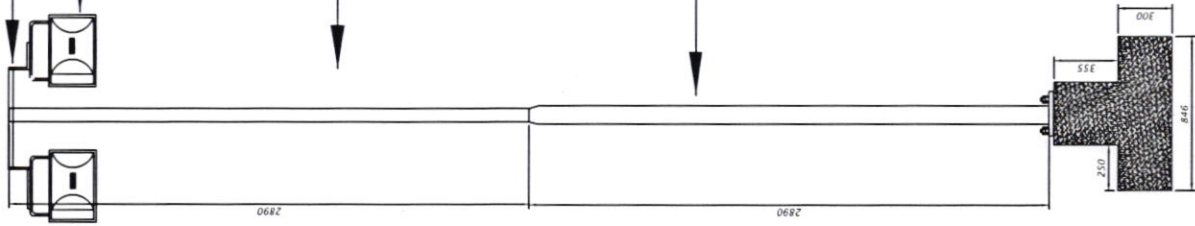
SCALE 1:25

SUPPORT BRACKET

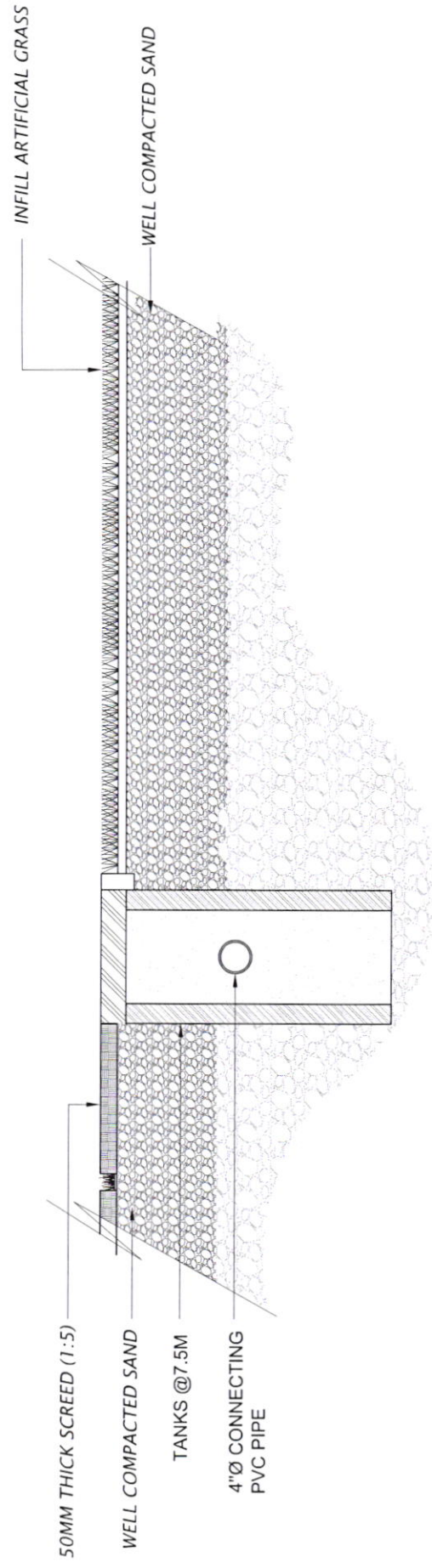
400W LEDLIGHT

75MM GI PIPE

100MM GI PIPE



DETAIL-LIGHT POST  
Scale - 1:30



**DETAILS- OUTDOOR PITCH**  
Scale 1:20

# SETT-T TECHNICAL DATA SHEET

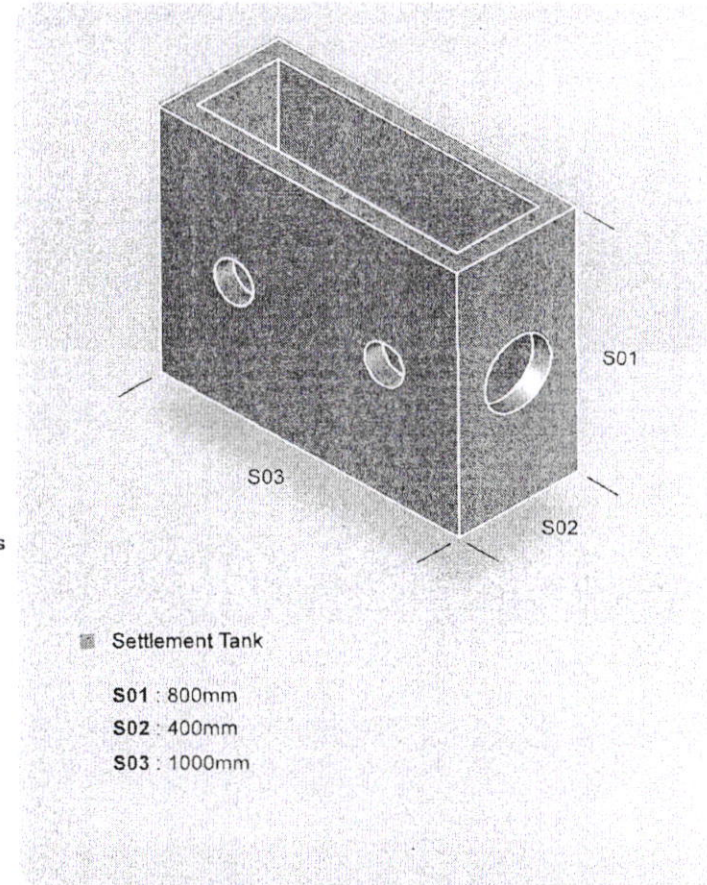
## Settlement Tank

MRDC's engineering quality cement concrete products (MRDC Blocks) are durable, high strength bricks, specially manufactured to cope with exposure to abrasive conditions.

This can be used to collect water from gutter line.

### Settlement Tank Specification

Form	Solid PCC settlement tank
Appearance	Standard gray colour – untreated surface
Size	1000mm x 400mm x 800mm and 60mm thickness
Composition	OPC + coral sand + coral stone
Density	Average 2174.9kg/m <sup>3</sup>
Dry Weight	330kg approximately
Strength	Average 13.6N/mm <sup>2</sup>
Surface treatment	Untreated
Area coverage	N/A
Presentation	Pellet containing 5 Nos
Pack Weight	1665kg approximately including pellet
Approx Pack Dimension	1.0m x 1.0m x 1.0m height approximately



## GUT-CVR TECHNICAL DATA SHEET

### RCC Settlement Tank Cover

MRDC's engineering quality cement concrete products (MRDC Blocks) are durable, high strength bricks, specially manufactured to cope with exposure to abrasive conditions.

This can be used in the gutter line to cover the gutter line.

#### Settlement Tank Cover Specification

Form	RCC grating gutter cover
Appearance	Standard gray colour - untreated surface
Size	1000mm x 400mm x 500mm and 80mm thickness
Composition	OPC + River sand + Aggregates
Density	Average 2567.6kg/m <sup>3</sup>
Dry Weight	90kg approximately
Strength	Average 19.0N/mm <sup>2</sup>
Surface treatment	Untreated
Area coverage	N/A
Presentation	Pellet containing 30 Nos
Pack Weight	2715kg approximately including pellet
Approx Pack Dimension	1.0m x 1.0m x 1.0m height approximately

