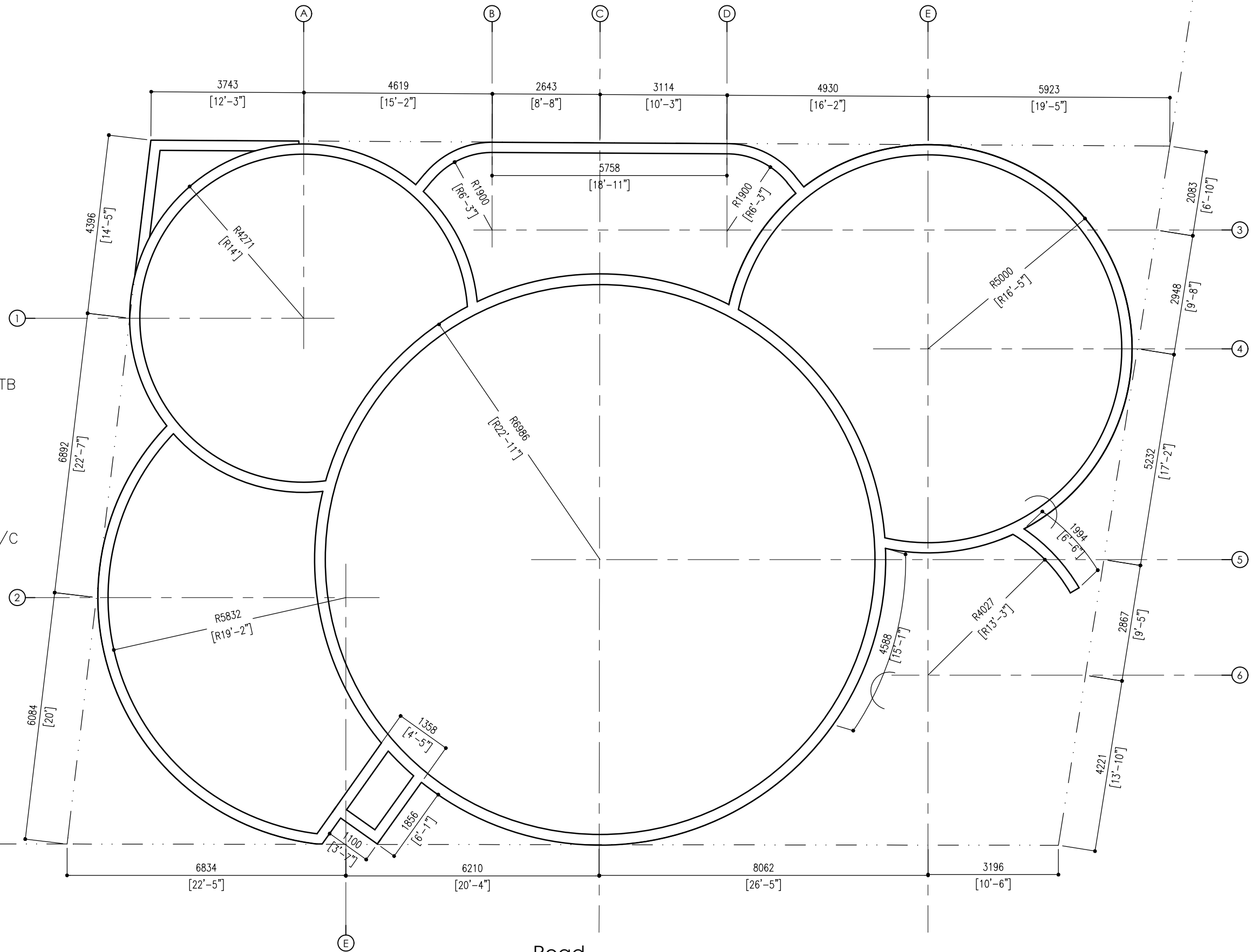


**NOTES:**

- ALL FOUNDATION BEAMS ARE TB
- FOUNDATION DEPTH – 600MM
- 150MM RC WALL THICKNESS
- 150 MM BENCH SLAB THICKNESS
- REINFORCEMENT : T10@150 C/C BW



**FOUNDATION PLAN**  
1:100

<p>H. Winter Green, Janavaree Hingun Male', Republic of Maldives Mobile: +960 7889234 / +9607779938 Email: projects@pharos.mv</p>	<p>PROJECT NO: A-003-2023</p> <p>PROJECT NAME: INGURAIHOO CHILDRENS PARK</p> <p>CLIENT NAME: R. INGURAIHOO COUNCIL</p>	<p>NOTE</p>	<p>DRAWING DETAILS</p> <p>FOUNDATION PLAN 1:100</p>	<p>DATE: May 2023 SHEET NO: <b>A03</b></p>
	<p>ARCHITECTURAL DESIGN: HASSAN AZAM, SHARAH SAIED, HUSSEIN SHARU, ZAH ABDEL HANNAN, SAMIR ALI</p>	<p>PROJECT DETAILS</p>	<p>NOTE</p>	<p>DRAWING DETAILS</p>