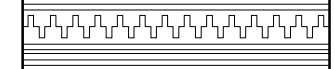


JUVENILE DETENTION

@K_DHOONIDHOO

ARCHITECTURAL & STRUCTURAL DRAWINGS

DATE: 17-AUG-2023



PROJECT TITLE:
DHOONIDHOO JUVENILE DETENTION

MALDIVES POLICE SERVICE SEAL & SIGN

CONTRACTORS SEAL & SIGN

THE DRAWINGS, CONCEPT AND DESIGN CONTAINED AREA THE PROPERTIES OF MALDIVES POLICE SERVICE. USE OF ANY KIND OR COPY OF WHOLE OR PART OF THIS DRAWING CONCEPT OR DESIGN OR USE ON OTHER PROJECTS OR SITES OTHER THAN THAT SPECIFIED ON THIS DRAWINGS IS STRICTLY PROHIBITED.

ARCHITECT/DESIGNER DRAFTED BY

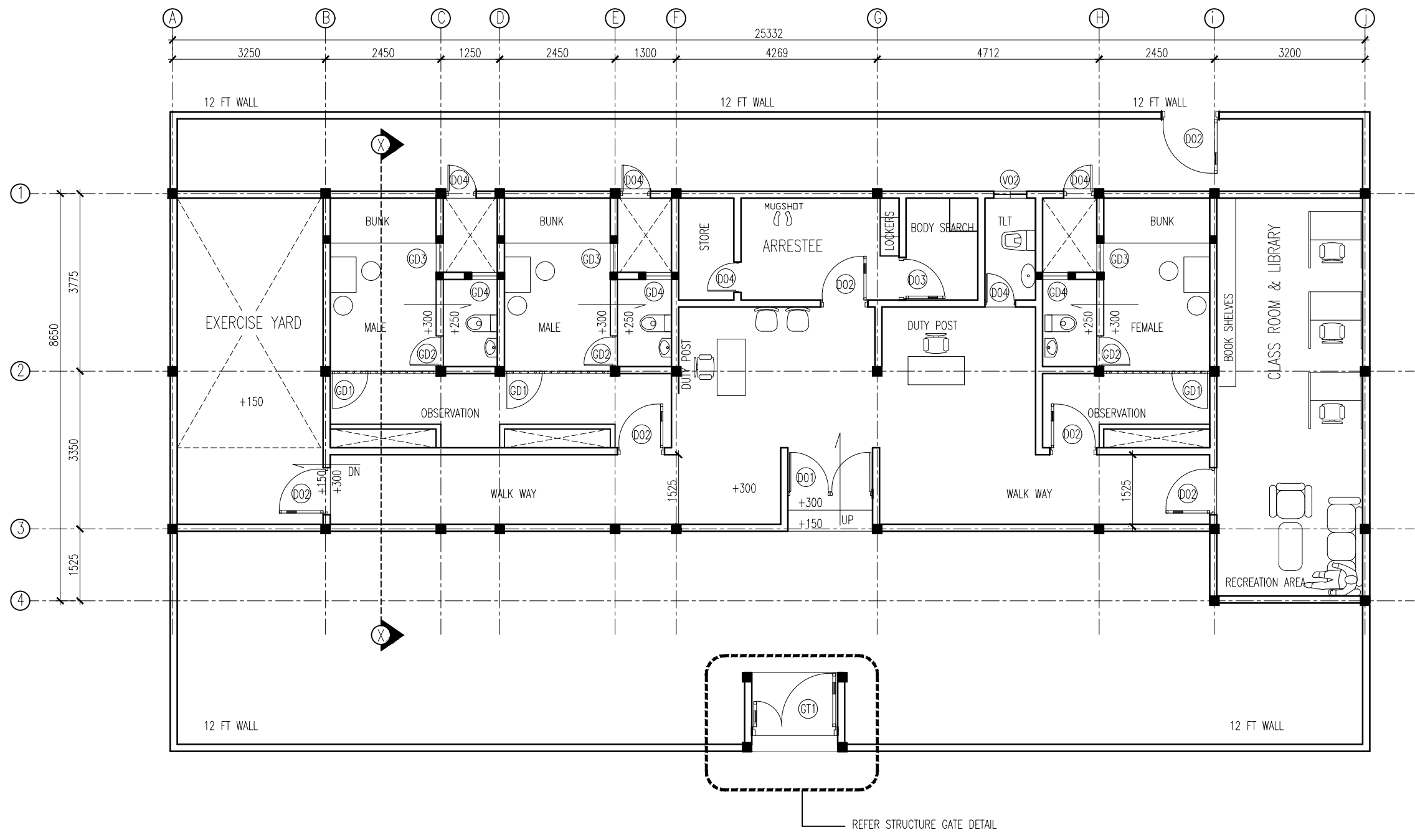
STRUCTURAL ENGINEER DRAFTED BY

CHECKED BY CHECKED BY

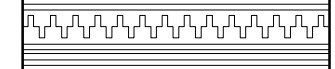
ARCHITECTURAL DRAWINGS

SHEET NO. 14-AUG-2023

A-02



GROUND FLOOR PLAN
SCALE 1:100



PROJECT TITLE:
DHOONIDHOO JUVENILE DETENTION

MALDIVES POLICE SERVICE SEAL & SIGN

CONTRACTORS SEAL & SIGN

THE DRAWINGS, CONCEPT AND DESIGN CONTAINED AREA THE PROPERTIES OF MALDIVES POLICE SERVICE. USE OF ANY KIND OR COPY OF WHOLE OR PART OF THIS DRAWING CONCEPT OR DESIGN OR USE ON OTHER PROJECTS OR SITES OTHER THAN THAT SPECIFIED ON THIS DRAWINGS IS STRICTLY PROHIBITED.

ARCHITECT/DESIGNER DRAFTED BY

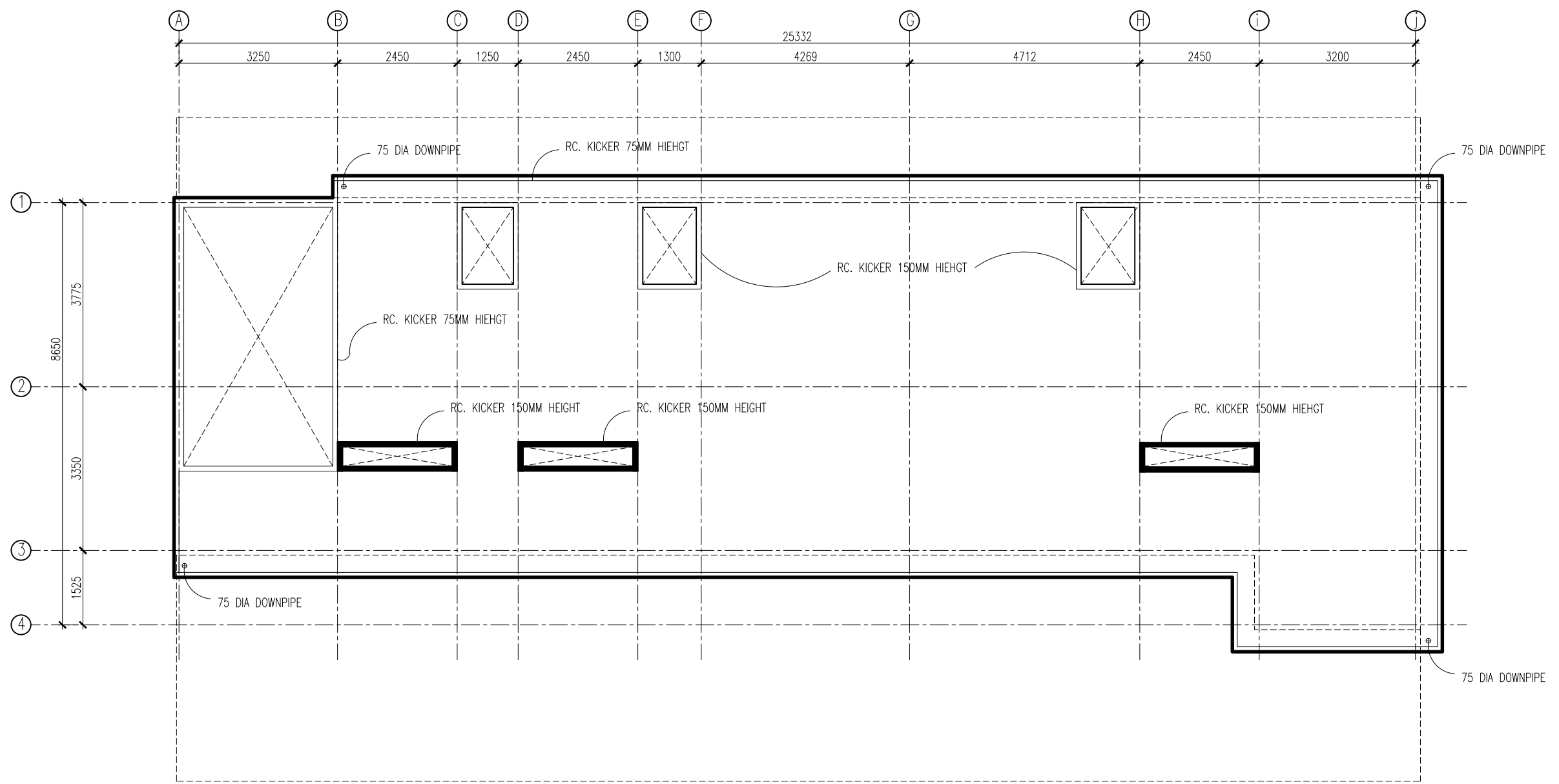
STRUCTURAL ENGINEER DRAFTED BY

CHECKED BY CHECKED BY

ARCHITECTURAL DRAWINGS

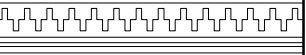
SHEET NO. 14-AUG-2023

A-03



ROOF PLAN

SCALE 1:100



PROJECT TITLE:
DHOONIDHOO JUVENILE DETENTION

MALDIVES POLICE SERVICE SEAL & SIGN

CONTRACTORS SEAL & SIGN

THE DRAWINGS, CONCEPT AND DESIGN CONTAINED AREA THE PROPERTIES OF MALDIVES POLICE SERVICE. USE OF ANY KIND OR COPY OF WHOLE OR PART OF THIS DRAWING CONCEPT OR DESIGN OR USE ON OTHER PROJECTS OR SITES OTHER THAN THAT SPECIFIED ON THIS DRAWINGS IS STRICTLY PROHIBITED

ARCHITECT/DESIGNER DRAFTED BY

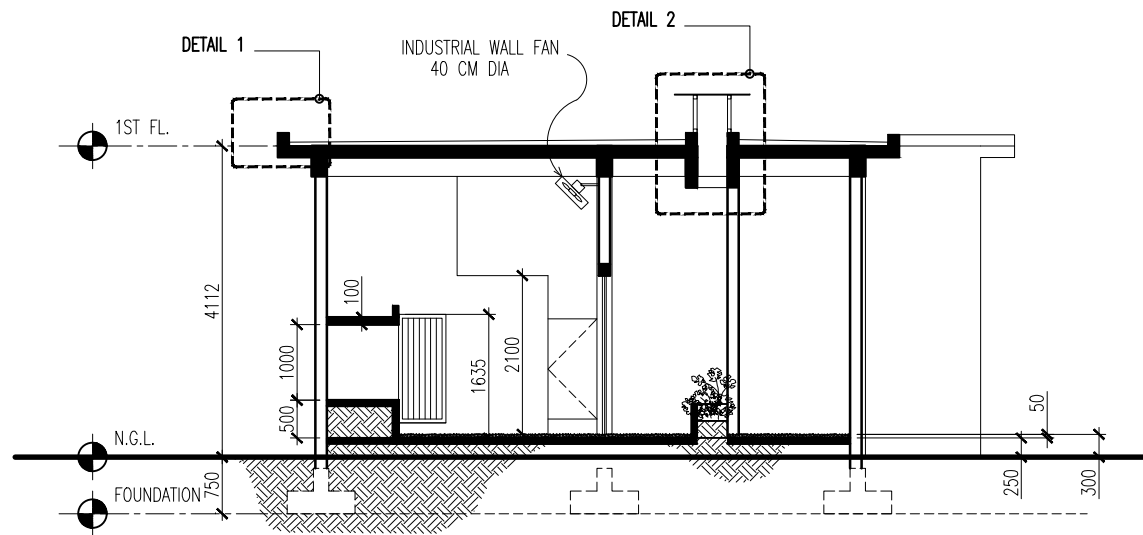
STRUCTURAL ENGINEER DRAFTED BY

CHECKED BY CHECKED BY

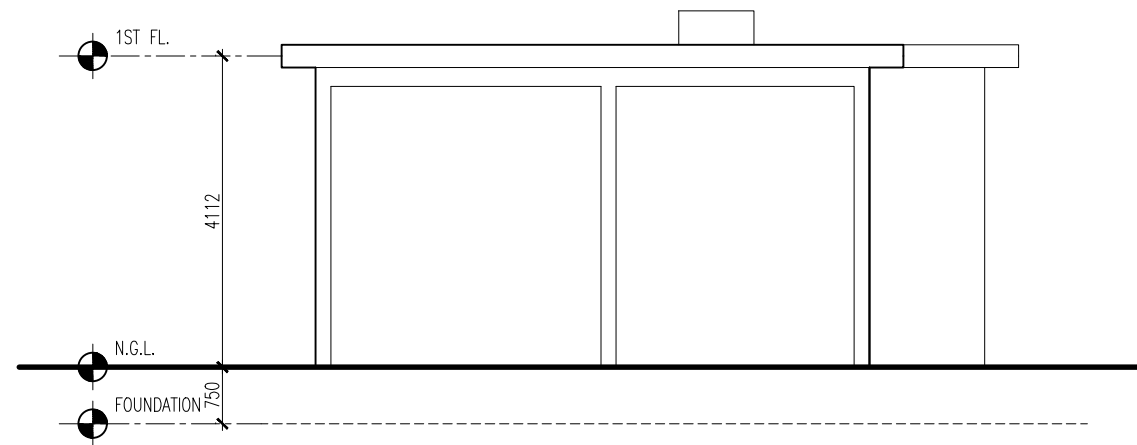
ARCHITECTURAL DRAWINGS

SHEET NO. 14-AUG-2023

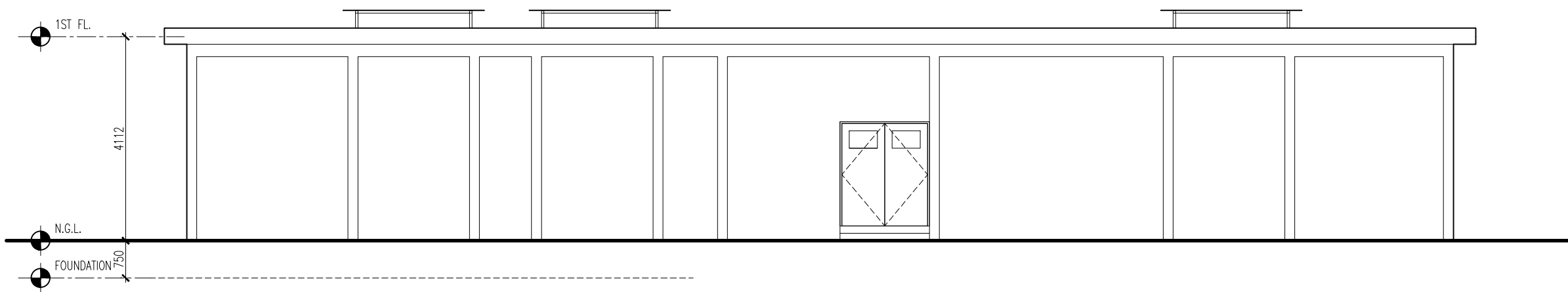
A-04



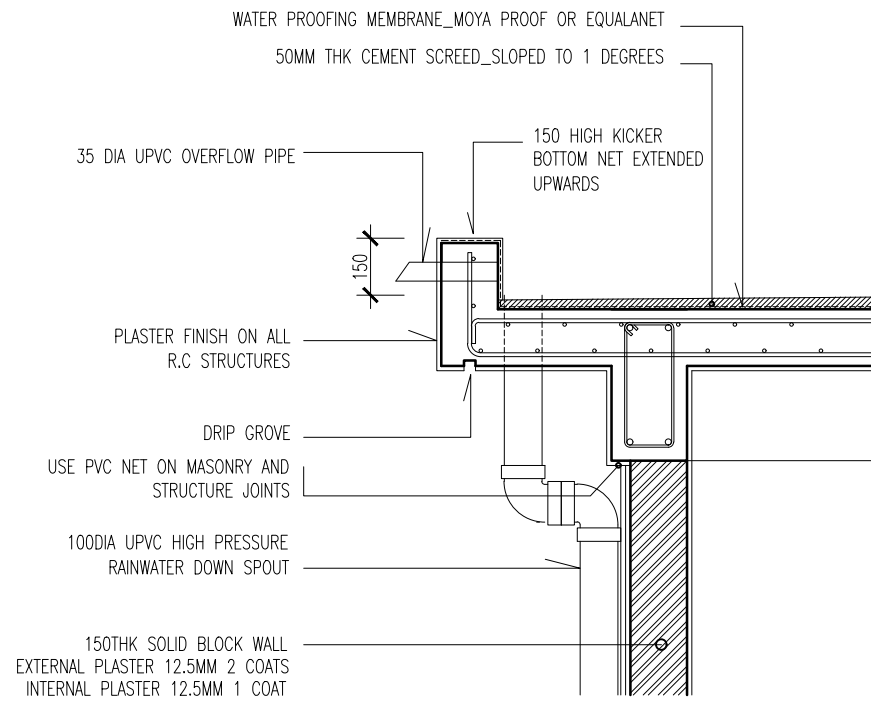
SECTION X-X
SCALE 1:100



SIDE ELEVATION
SCALE 1:100

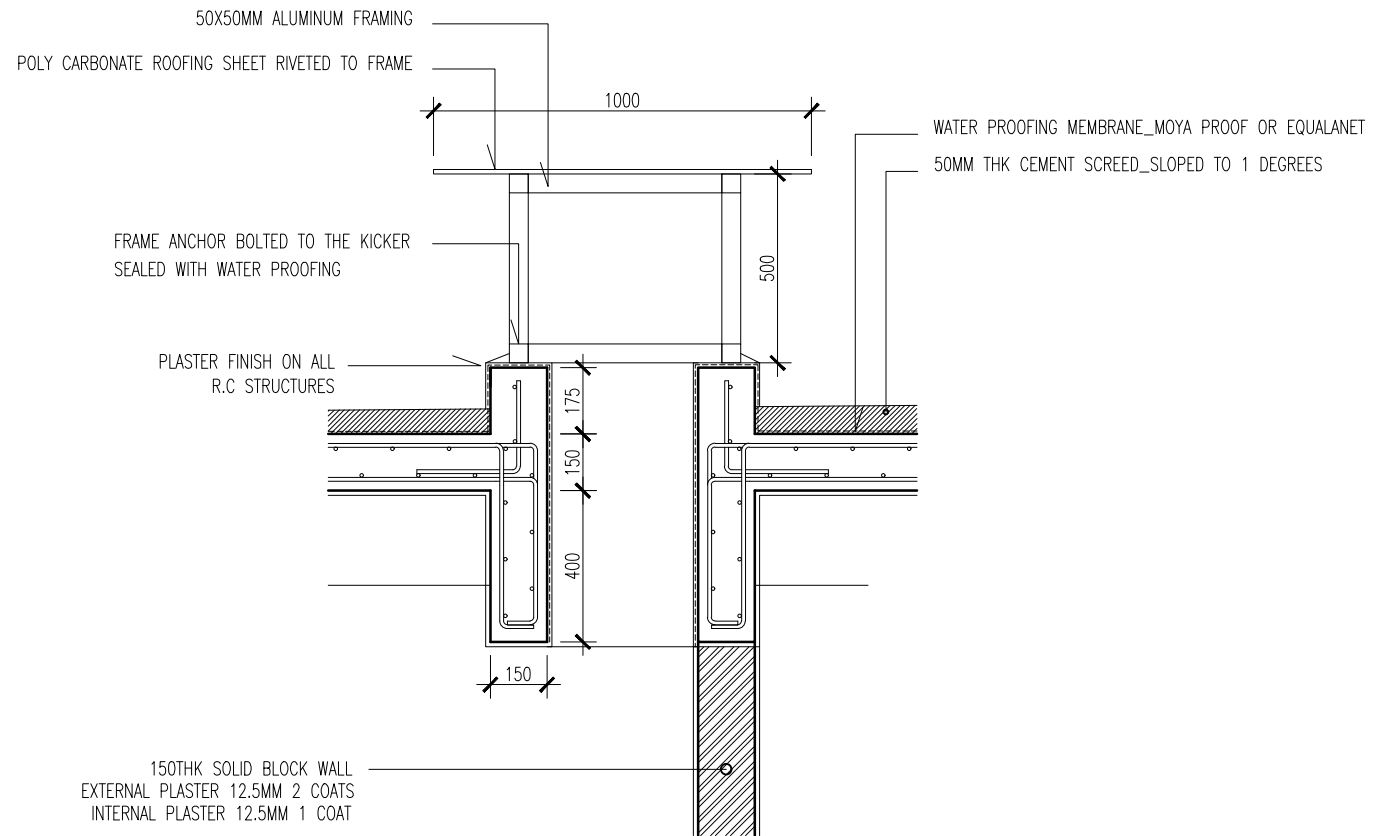


FRONT ELEVATION
SCALE 1:100



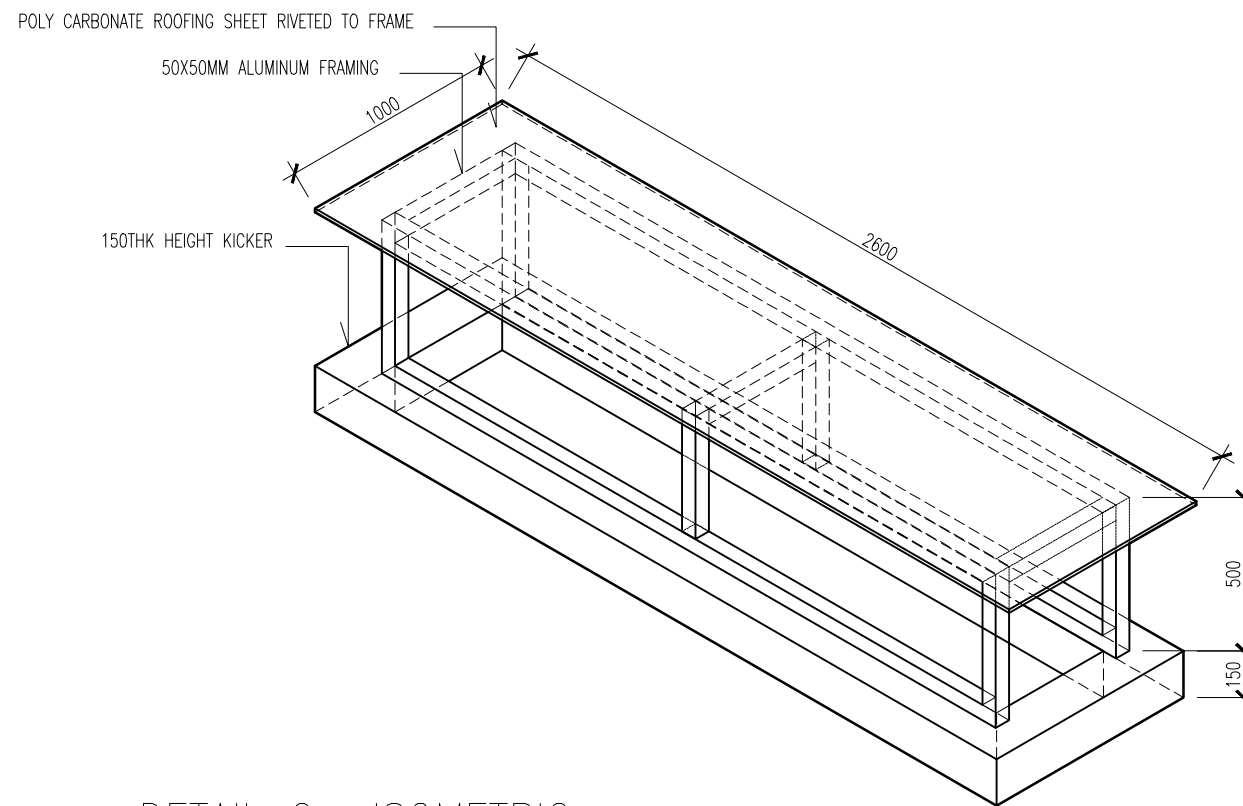
DETAIL 1_ SECTION

SCALE 1:20




DETAIL 2_ SECTION

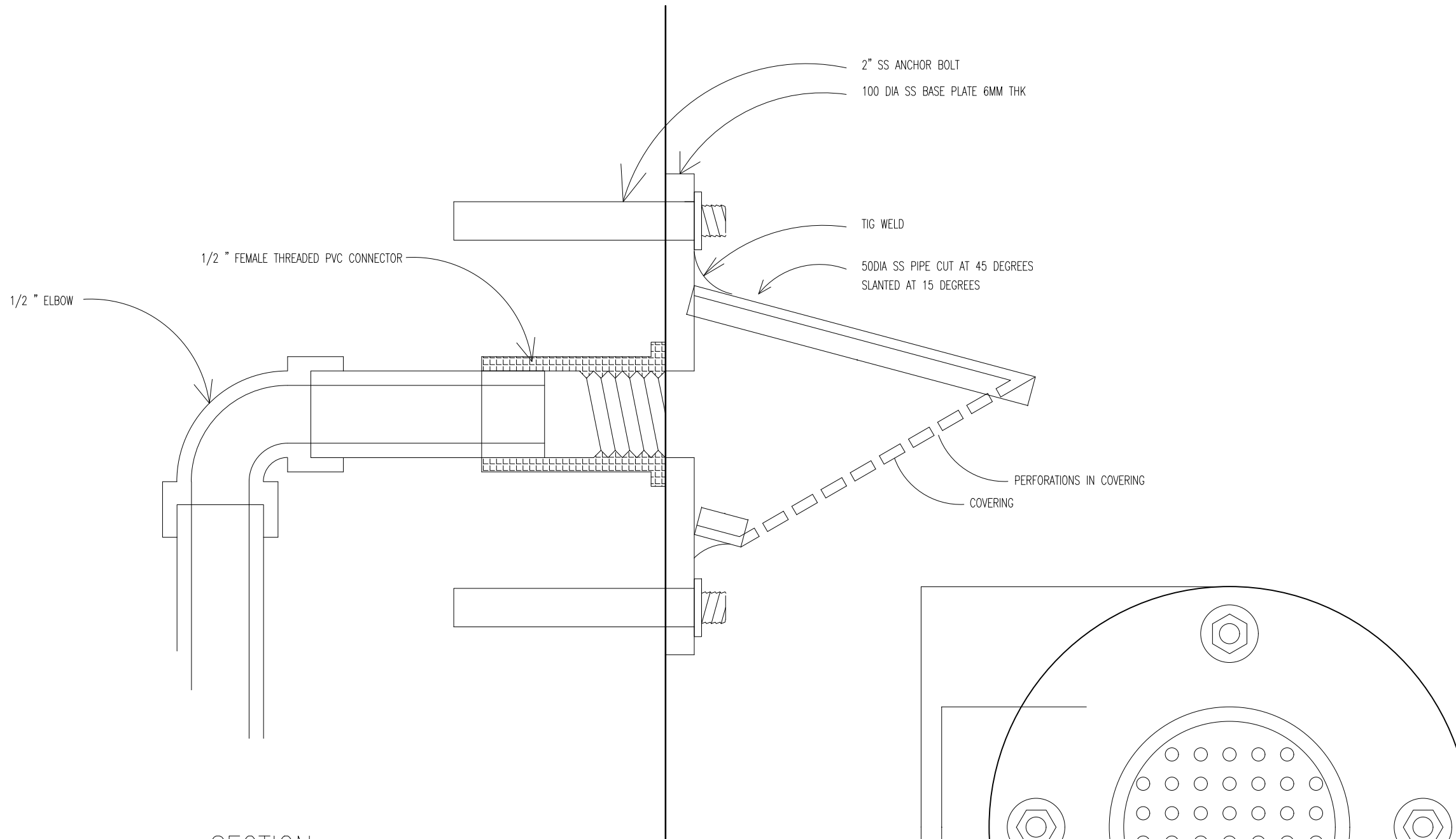
SCALE 1:20



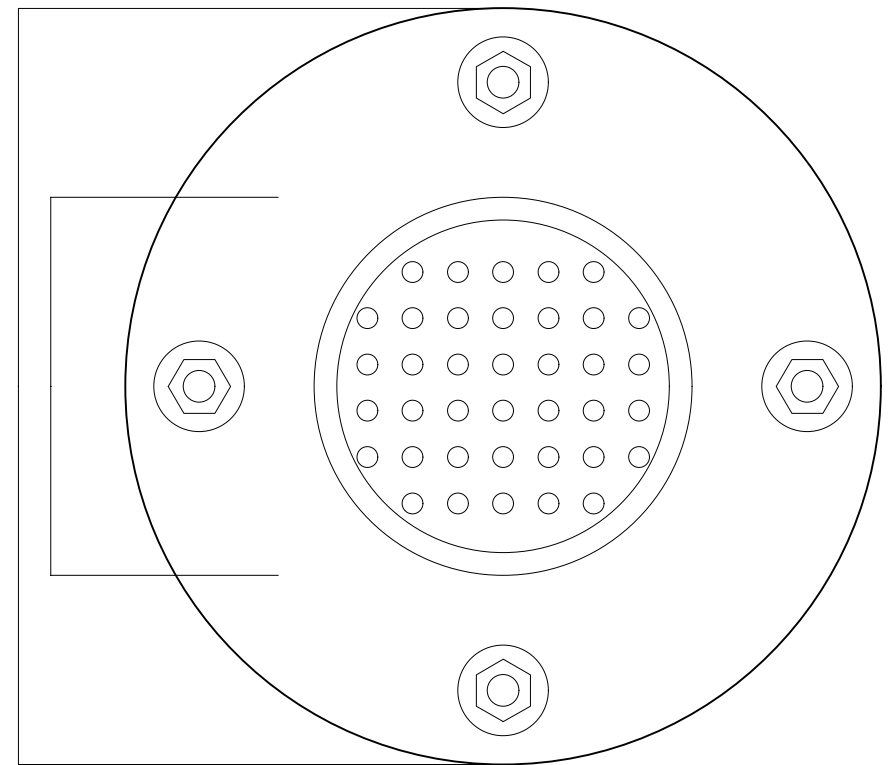
DETAIL 2_ ISOMETRIC

SCALE 1:20

 INFRASTRUCTURE AND BUILDING DEVELOPMENT MALDIVES POLICE SERVICE	
PROJECT TITLE:	
DHOONIDHOO JUVENILE DETENTION	
MALDIVES POLICE SERVICE SEAL & SIGN	
CONTRACTORS SEAL & SIGN	
<small>THE DRAWINGS, CONCEPT AND DESIGN CONTAINED AREA THE PROPERTIES OF MALDIVES POLICE SERVICE. USE OF ANY KIND OR COPY OF WHOLE OR PART OF THIS DRAWING CONCEPT OR DESIGN OR USE ON OTHER PROJECTS OR SITES OTHER THAN THAT SPECIFIED ON THIS DRAWINGS IS STRICTLY PROHIBITED.</small>	
ARCHITECT/DESIGNER	DRAFTED BY
STRUCTURAL ENGINEER	DRAFTED BY
CHECKED BY	CHECKED BY
ARCHITECTURAL DRAWINGS	
SHEET NO.	14-AUG-2023
A-05	




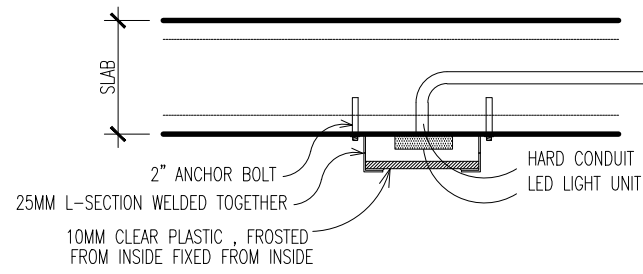
SECTION
SCALE 1:1



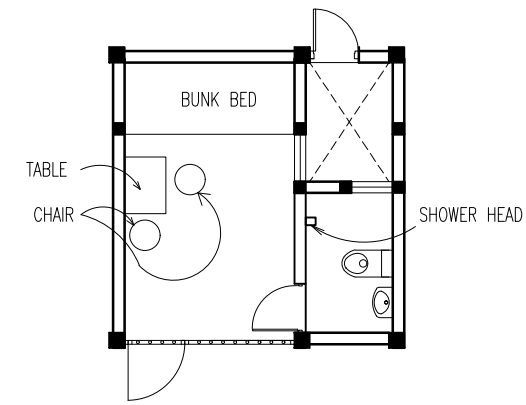
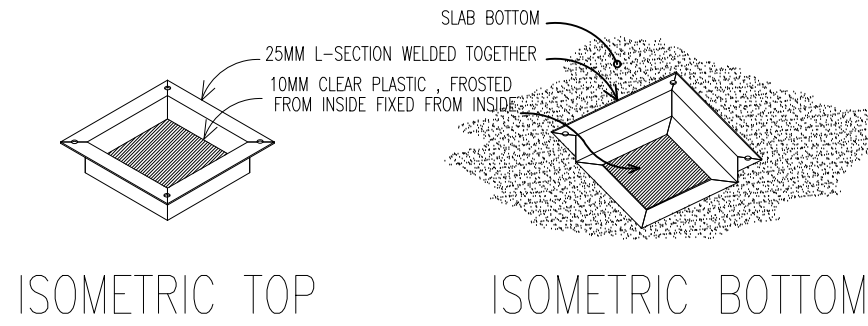
FRONT VIEW
SCALE 1:1

HEAD SHOWER DETAIL
SCALE 1:1

 <p>INFRASTRUCTURE AND BUILDING DEVELOPMENT MALDIVES POLICE SERVICE</p>	
<p>PROJECT TITLE: DHOONIDHOO JUVENILE DETENTION</p>	
<p>MALDIVES POLICE SERVICE SEAL & SIGN</p>	
<p>CONTRACTORS SEAL & SIGN</p>	
<p>THE DRAWINGS, CONCEPT AND DESIGN CONTAINED AREA THE PROPERTIES OF MALDIVES POLICE SERVICE. USE OF ANY KIND OR COPY OF WHOLE OR PART OF THIS DRAWING CONCEPT OR DESIGN OR USE ON OTHER PROJECTS OR SITES OTHER THAN THAT SPECIFIED ON THIS DRAWINGS IS STRICTLY PROHIBITED.</p>	
ARCHITECT/DESIGNER	DRAFTED BY
STRUCTURAL ENGINEER	DRAFTED BY
CHECKED BY	CHECKED BY
ARCHITECTURAL DRAWINGS	
SHEET NO.	14-AUG-2023
A-06	

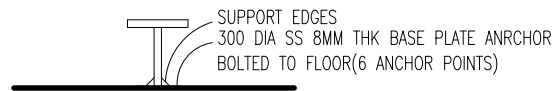
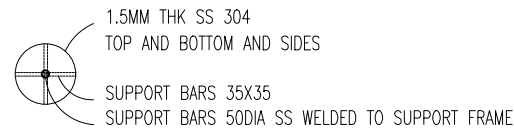


*NOTE: CONTRACTOR MUST FABRICATE 1 UNIT AND SUBMIT FOR CLIENTS APPROVAL

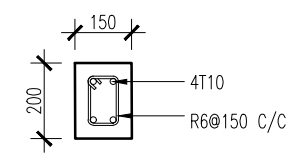


TYPICAL CELL
SCALE 1:100

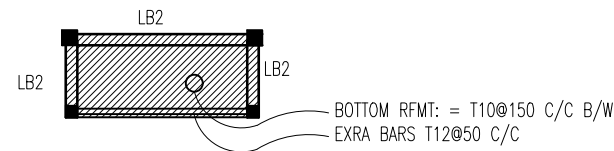
VANDAL PROOF LIGHT DETAIL
SCALE 1:10



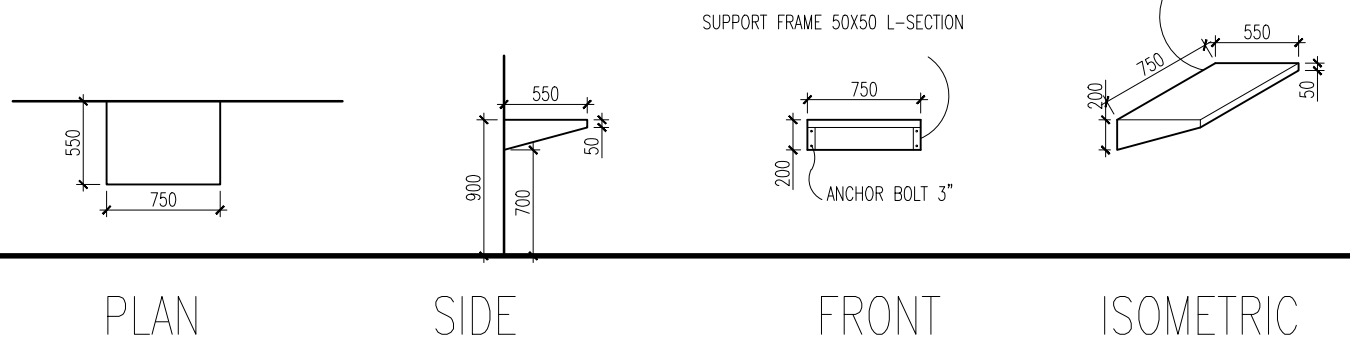
FLOOR FIXED CHAIR
SCALE 1:50



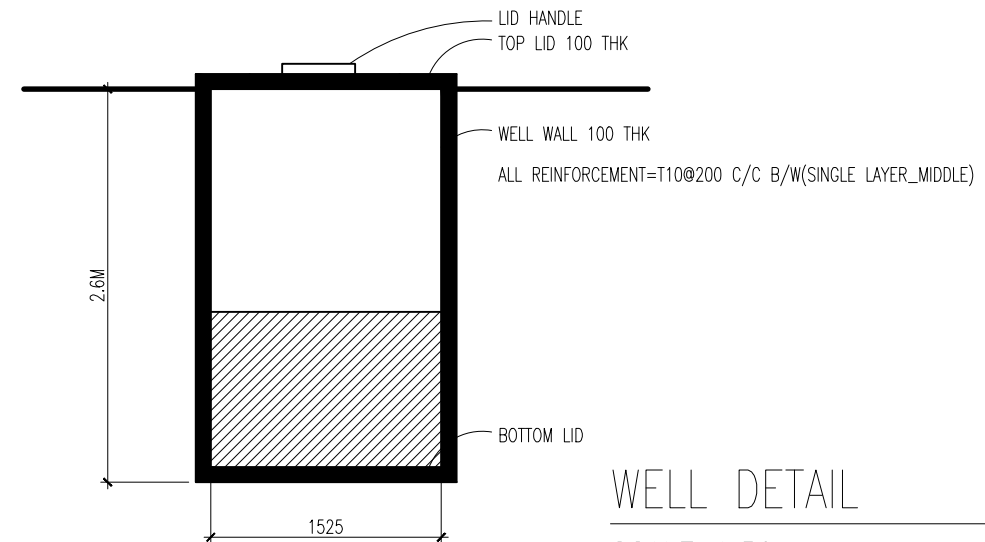
LINTEL BEAM (LB2)
SCALE 1:20




BUNK BED STRUCTURE
SCALE 1:100



WALL FIXED TABLE
SCALE 1:50



WELL DETAIL
SCALE 1:50

 INFRASTRUCTURE AND BUILDING DEVELOPMENT MALDIVES POLICE SERVICE	
PROJECT TITLE:	
DHOONIDHOO JUVENILE DETENTION	
MALDIVES POLICE SERVICE SEAL & SIGN	
CONTRACTORS SEAL & SIGN	
<small>THE DRAWINGS, CONCEPT AND DESIGN CONTAINED AREA THE PROPERTIES OF MALDIVES POLICE SERVICE. USE OF ANY KIND OR COPY OF WHOLE OR PART OF THIS DRAWING CONCEPT OR DESIGN OR USE ON OTHER PROJECTS OR SITES OTHER THAN THAT SPECIFIED ON THIS DRAWINGS IS STRICTLY PROHIBITED.</small>	
ARCHITECT/DESIGNER	DRAFTED BY
STRUCTURAL ENGINEER	DRAFTED BY
CHECKED BY	CHECKED BY
ARCHITECTURAL DRAWINGS	
SHEET NO.	14-AUG-2023
A-07	

INFRASTRUCTURE AND BUILDING DEVELOPMENT
MALDIVES POLICE SERVICE

PROJECT TITLE:
DHOONIDHOO JUVENILE DETENTION

MALDIVES POLICE SERVICE SEAL & SIGN

CONTRACTORS SEAL & SIGN

THE DRAWINGS, CONCEPT AND DESIGN CONTAINED AREA THE PROPERTIES OF MALDIVES POLICE SERVICE. USE OF ANY KIND OR COPY OF WHOLE OR PART OF THIS DRAWING CONCEPT OR DESIGN OR USE ON OTHER PROJECTS OR SITES OTHER THAN THAT SPECIFIED ON THIS DRAWINGS IS STRICTLY PROHIBITED.

ARCHITECT/DESIGNER DRAFTED BY

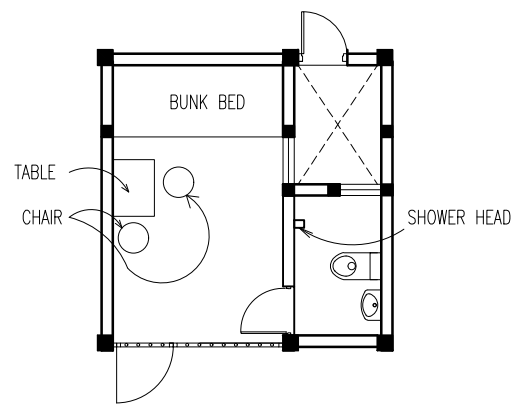
STRUCTURAL ENGINEER DRAFTED BY

CHECKED BY CHECKED BY

ARCHITECTURAL DRAWINGS

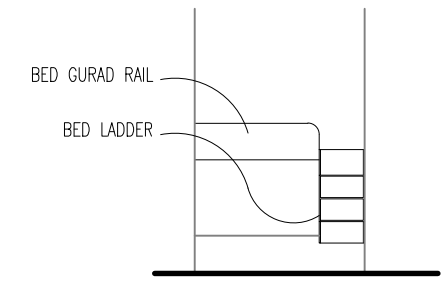
SHEET NO. 14-AUG-2023

A-08



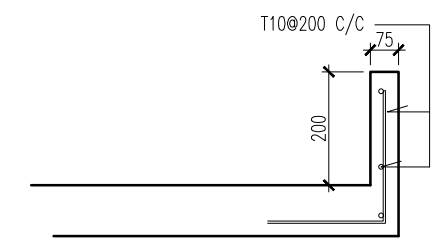
TYPICAL CELL

SCALE 1:100



BED DETAILS

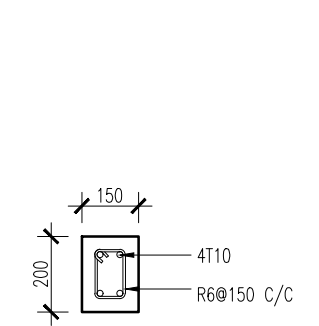
SCALE 1:100



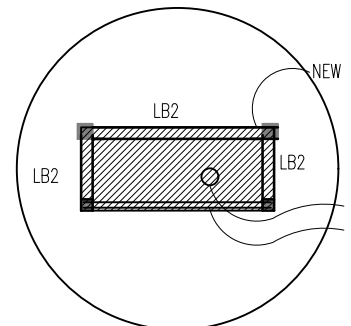
SECTION X-X

SCALE 1:20

BUNK BED GUARD RAIL



LINTEL BEAM (LB2)
SCALE 1:20

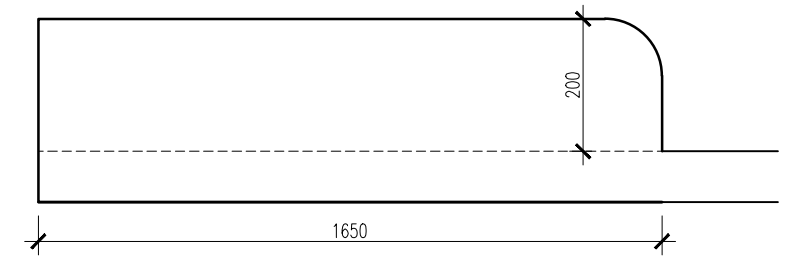


BUNK BED STRUCTURE

SCALE 1:100

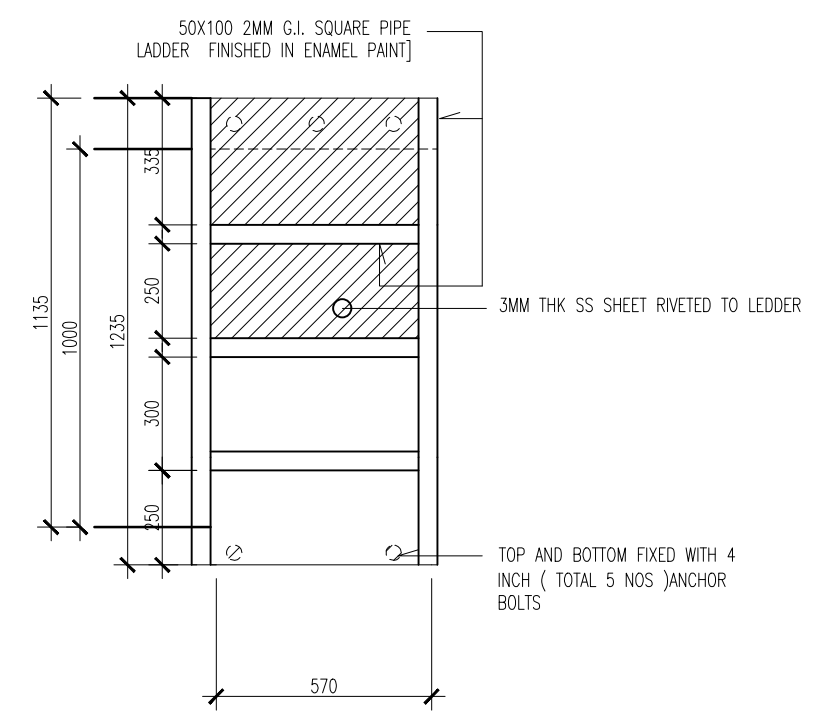
NEW STIFFENER COLUMN (COLUMN HEIGHT = 1635MM FROM GROUND SLAB, ALL COLUMNS BARS MUST BE ANCHORED TO THE SLAB)

BOTTOM RFMT: = SLAB THICKNESS= 100 MM , T10@150 C/C B/W EXTRA BARS T12@50 C/C



ELEVATION

SCALE 1:20



SECTION X-X

SCALE 1:20

BUNK BED LADDER

PROJECT TITLE:
DHOONIDHOO JUVENILE DETENTION

MALDIVES POLICE SERVICE SEAL & SIGN

CONTRACTORS SEAL & SIGN

THE DRAWINGS, CONCEPT AND DESIGN CONTAINED AREA THE PROPERTIES OF MALDIVES POLICE SERVICE. USE OF ANY KIND OR COPY OF WHOLE OR PART OF THIS DRAWING CONCEPT OR DESIGN OR USE ON OTHER PROJECTS OR SITES OTHER THAN THAT SPECIFIED ON THIS DRAWINGS IS STRICTLY PROHIBITED

ARCHITECT/DESIGNER DRAFTED BY

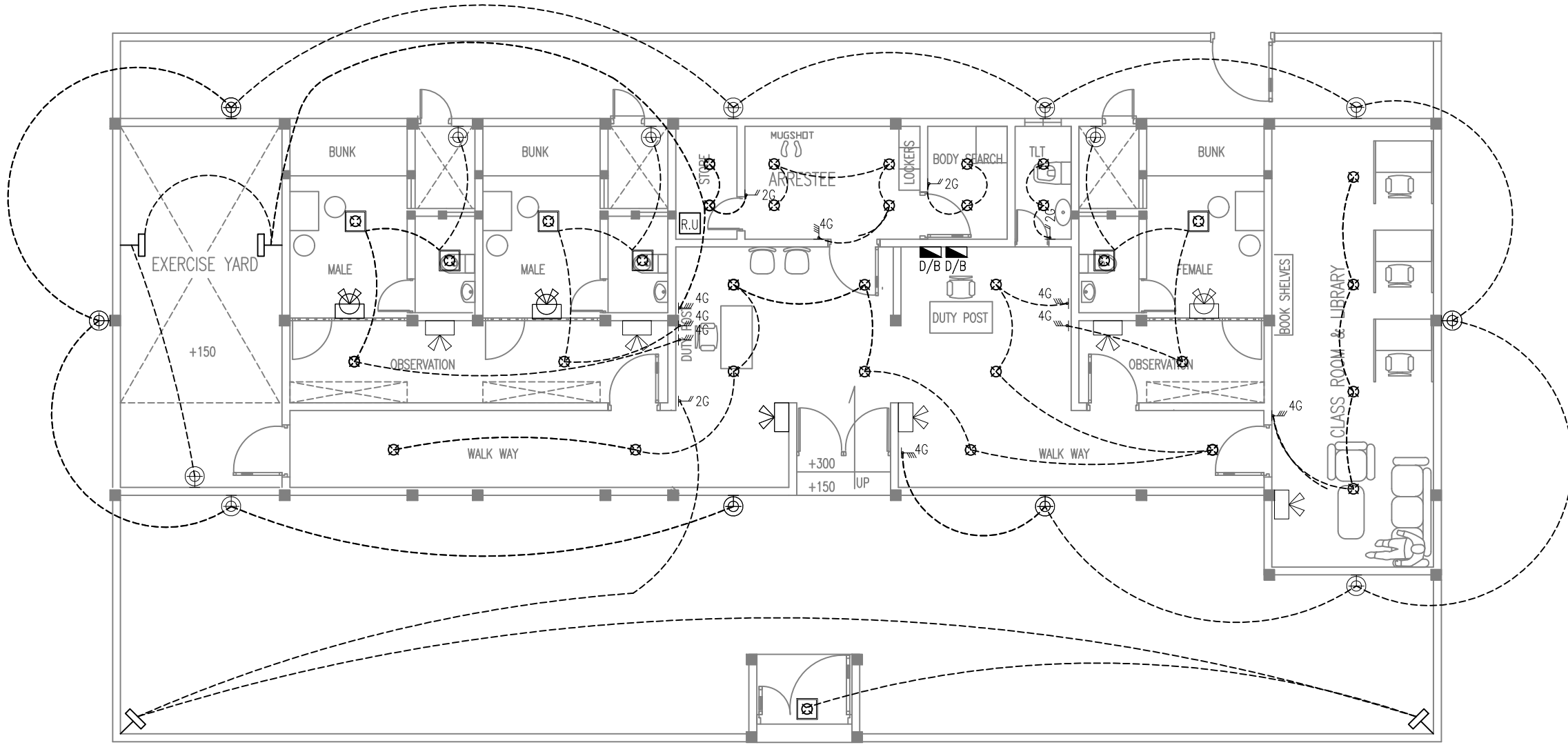
STRUCTURAL ENGINEER DRAFTED BY

CHECKED BY CHECKED BY

ARCHITECTURAL DRAWINGS

SHEET NO. 14-AUG-2023

A-09

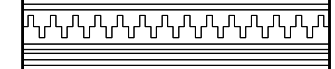


ELECTRICAL LEGENDS

- 2G 2 GANG SWITCH
- 4G 4 GANG SWITCH
- ⊗ CEILING RECESSED 18W LED LIGHT
- ⊕ WALL FIXED WEATHER PROOF LED LIGHT
- ⊕ WALL FIXED EMERGENCY LED LIGHT
- ⊕ INDUSTRIAL SS BLADE WALL FAN 40CM, PROVIDE 13A POWER SOCKET OUTSIDE CELL WALL
- ⊕ 12W LED LIGHT VANDAL PROOF LIGHT (REFER DETAIL)
- ⊕ 50W LED FLOOD LIGHT FIXED ON TOP OF SLAB WITH EXTENDING POLE

* NOTE : - THIS IS A SCHEMATIC DRAWING. CONTRACTOR MUST MAKE ACTUAL CONSTRUCTION SHOP DRAWINGS AND SUBMIT FOR APPROVAL.
- AFTER COMPLETION OF WORKS CONTRACTOR MUST PRODUCE AS BUILT DRAWINGS.

ELECTRICAL PLAN
SCALE 1:100



PROJECT TITLE:
DHOONIDHOO JUVENILE DETENTION

MALDIVES POLICE SERVICE SEAL & SIGN

CONTRACTORS SEAL & SIGN

THE DRAWINGS, CONCEPT AND DESIGN CONTAINED AREA THE PROPERTIES OF MALDIVES POLICE SERVICE. USE OF ANY KIND OR COPY OF WHOLE OR PART OF THIS DRAWING CONCEPT OR DESIGN OR USE ON OTHER PROJECTS OR SITES OTHER THAN THAT SPECIFIED ON THIS DRAWINGS IS STRICTLY PROHIBITED

ARCHITECT/DESIGNER DRAFTED BY

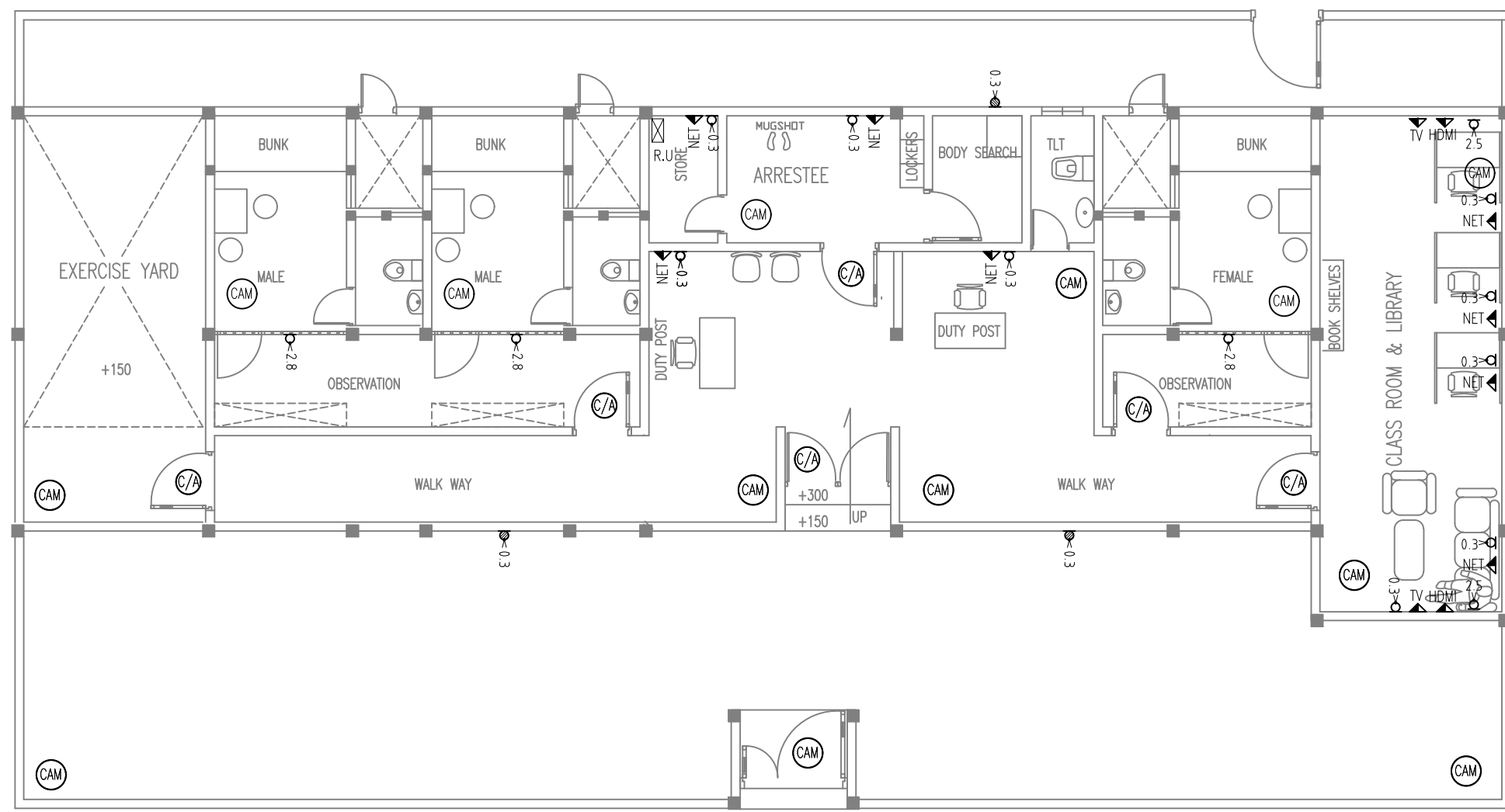
STRUCTURAL ENGINEER DRAFTED BY

CHECKED BY CHECKED BY

ARCHITECTURAL DRAWINGS

SHEET NO. 14-AUG-2023

A-11



12W LED LIGHT VANDAL PROOF LIGHT (REFER DETAIL)

ELECTRICAL + NETWORK LEGENDS

- ⌀-0.3 2 GANG 13A POWER SOCKET (@ 0.3MM)
- ⌀-0.3 2 GANG 13A WEATHER PROOF POWER SOCKET (@ 0.3MM)
- NET 2 GANG INTRANET SOCKET

CAM CCTV CAMERA POINT_PROVIDE SOLID CONDUIT PIPE THROUGH SLAB

R.U RACK UNIT, ALL CAMERA POINTS CONDUITS MUST CONVERGE TO THIS POINT

⌀ 2.5 13A 2 GANG POWER SOCKET@2.5M(H)

⌀ 0.3 13A 2 GANG POWER SOCKET@0.3M(H)

▶ NET NETWORK SOCKET@0.3M(H)_2GANG SOCKET

▶ TV TV SOCKET POINT

▶ HDMI HDMI CABLE POINT WITH FACEPLATE

C/A CONTROLLED ACCESS POINT(REF.DETAIL)

POWER AND NETWORK

SCALE 1:100

* NOTE : - THIS IS A SCHEMATIC DRAWING. CONTRACTOR MUST MAKE ACTUAL CONSTRUCTION SHOP DRAWINGS AND SUBMIT FOR APPROVAL.
- AFTER COMPLETION OF WORKS CONTRACTOR MUST PRODUCE AS BUILT DRAWINGS.

PROJECT TITLE:
DHOONIDHOO JUVENILE DETENTION

MALDIVES POLICE SERVICE SEAL & SIGN

CONTRACTORS SEAL & SIGN

THE DRAWINGS, CONCEPT AND DESIGN CONTAINED AREA THE PROPERTIES OF MALDIVES POLICE SERVICE. USE OF ANY KIND OR COPY OF WHOLE OR PART OF THIS DRAWING CONCEPT OR DESIGN OR USE ON OTHER PROJECTS OR SITES OTHER THAN THAT SPECIFIED ON THIS DRAWINGS IS STRICTLY PROHIBITED

ARCHITECT/DESIGNER DRAFTED BY

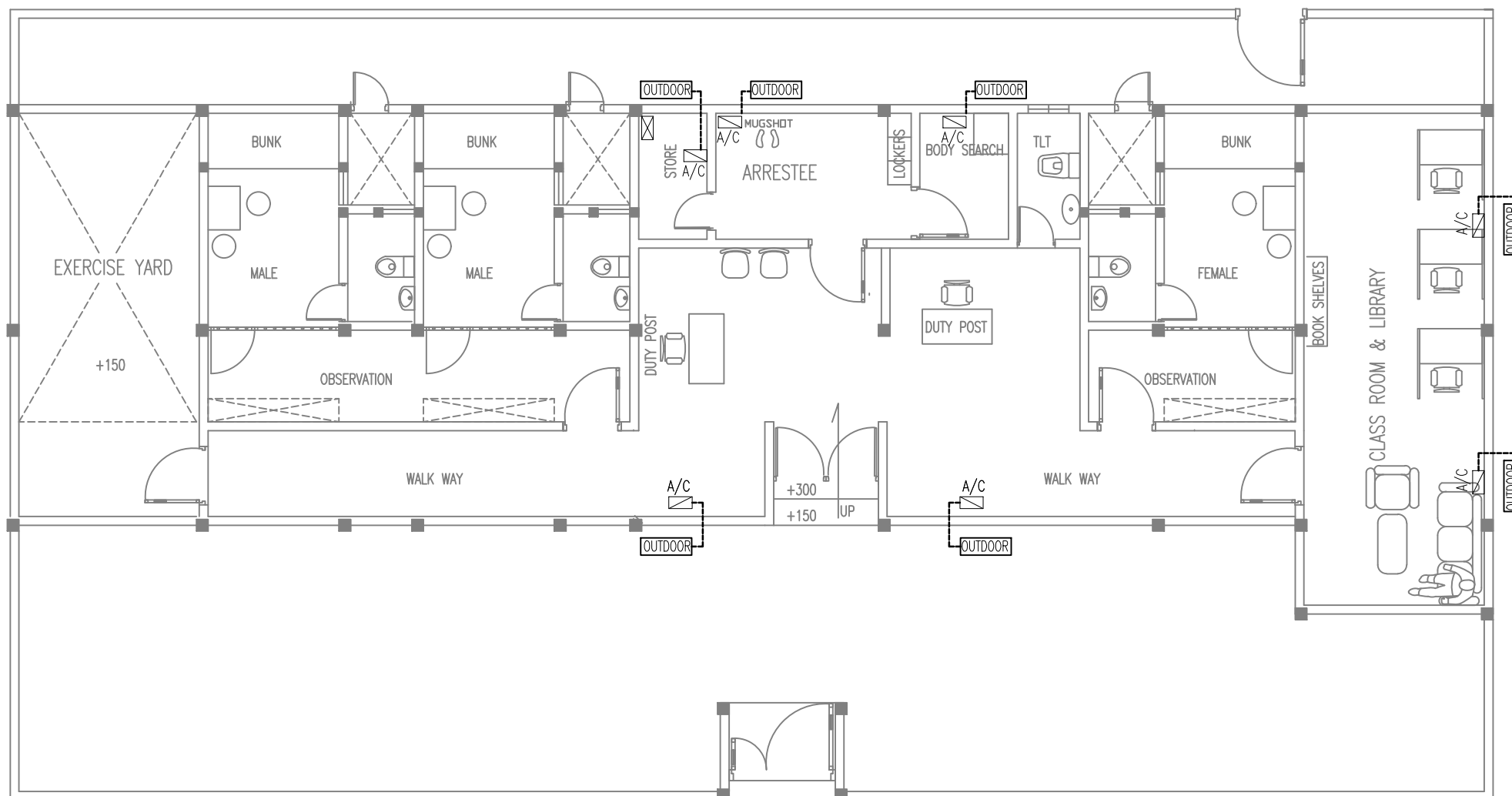
STRUCTURAL ENGINEER DRAFTED BY

CHECKED BY CHECKED BY

ARCHITECTURAL DRAWINGS

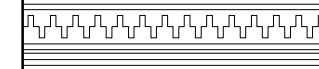
SHEET NO. 14-AUG-2023

A-12



OUTDOOR OUT DOOR UNITS PLACED @ 0.3M (H)
A/C WALL FIXED SINGLE SPLIT AIR CONDITIONER INDOOR UNIT_ PROVIDE 15A POWER SOCKET @2.5M

A/C PLAN
SCALE 1:100



PROJECT TITLE:
DHOONIDHOO JUVENILE DETENTION

MALDIVES POLICE SERVICE SEAL & SIGN

CONTRACTORS SEAL & SIGN

THE DRAWINGS, CONCEPT AND DESIGN CONTAINED AREA THE PROPERTIES OF MALDIVES POLICE SERVICE. USE OF ANY KIND OR COPY OF WHOLE OR PART OF THIS DRAWING CONCEPT OR DESIGN OR USE ON OTHER PROJECTS OR SITES OTHER THAN THAT SPECIFIED ON THIS DRAWINGS IS STRICTLY PROHIBITED

ARCHITECT/DESIGNER DRAFTED BY

STRUCTURAL ENGINEER DRAFTED BY

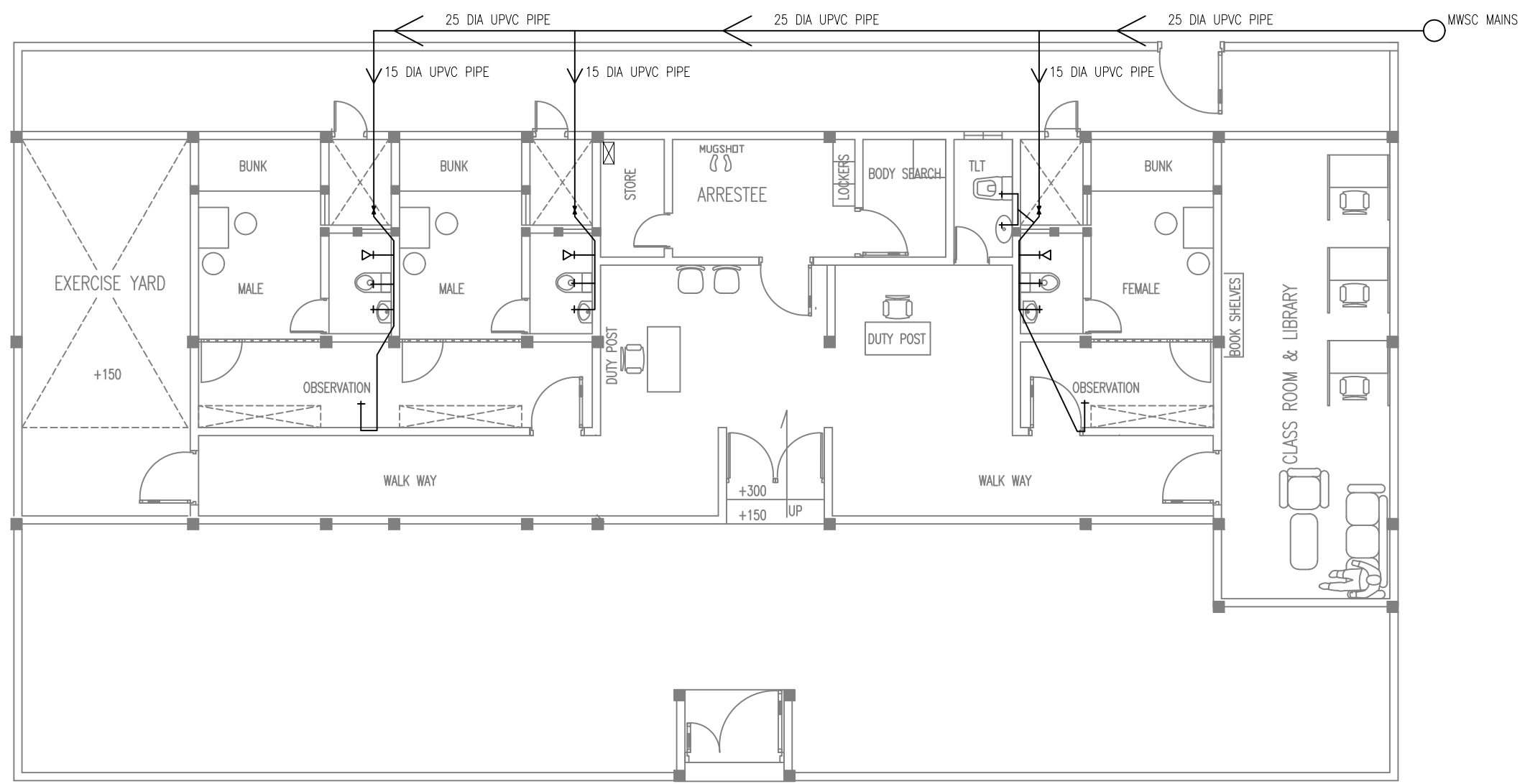
CHECKED BY CHECKED BY

ARCHITECTURAL DRAWINGS

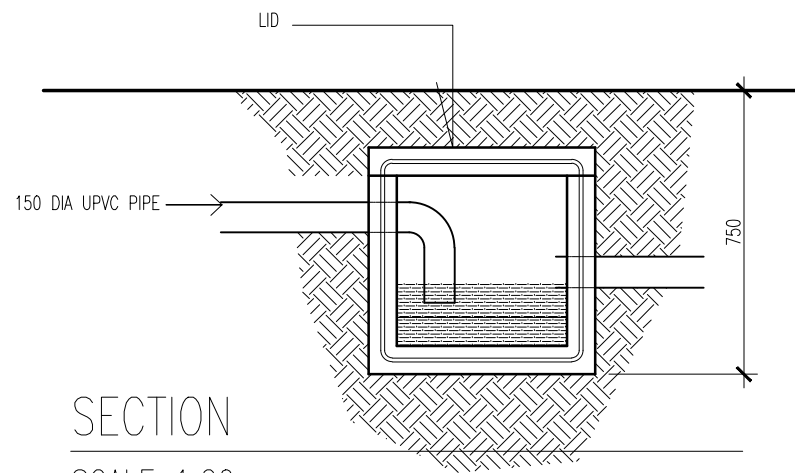
SHEET NO. 14-AUG-2023

A-13

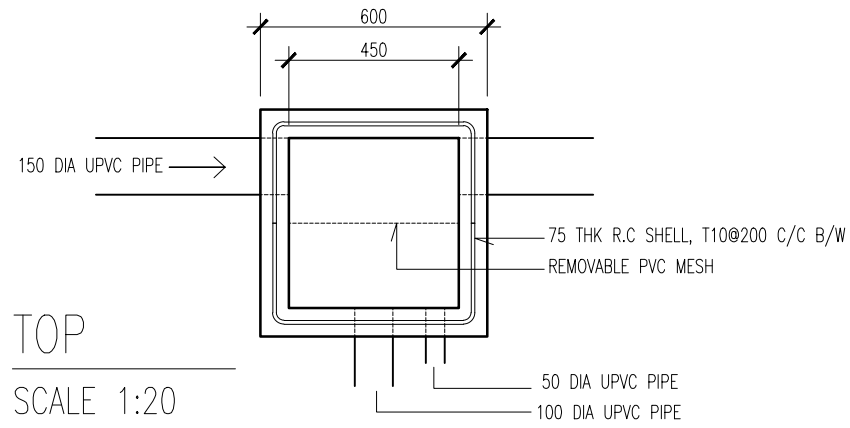
* NOTE : - THIS IS A SCHEMATIC DRAWING. CONTRACTOR MUST MAKE ACTUAL CONSTRUCTION SHOP DRAWINGS AND SUBMIT FOR APPROVAL.
- AFTER COMPLETION OF WORKS CONTRACTOR MUST PRODUCE AS BUILT DRAWINGS.



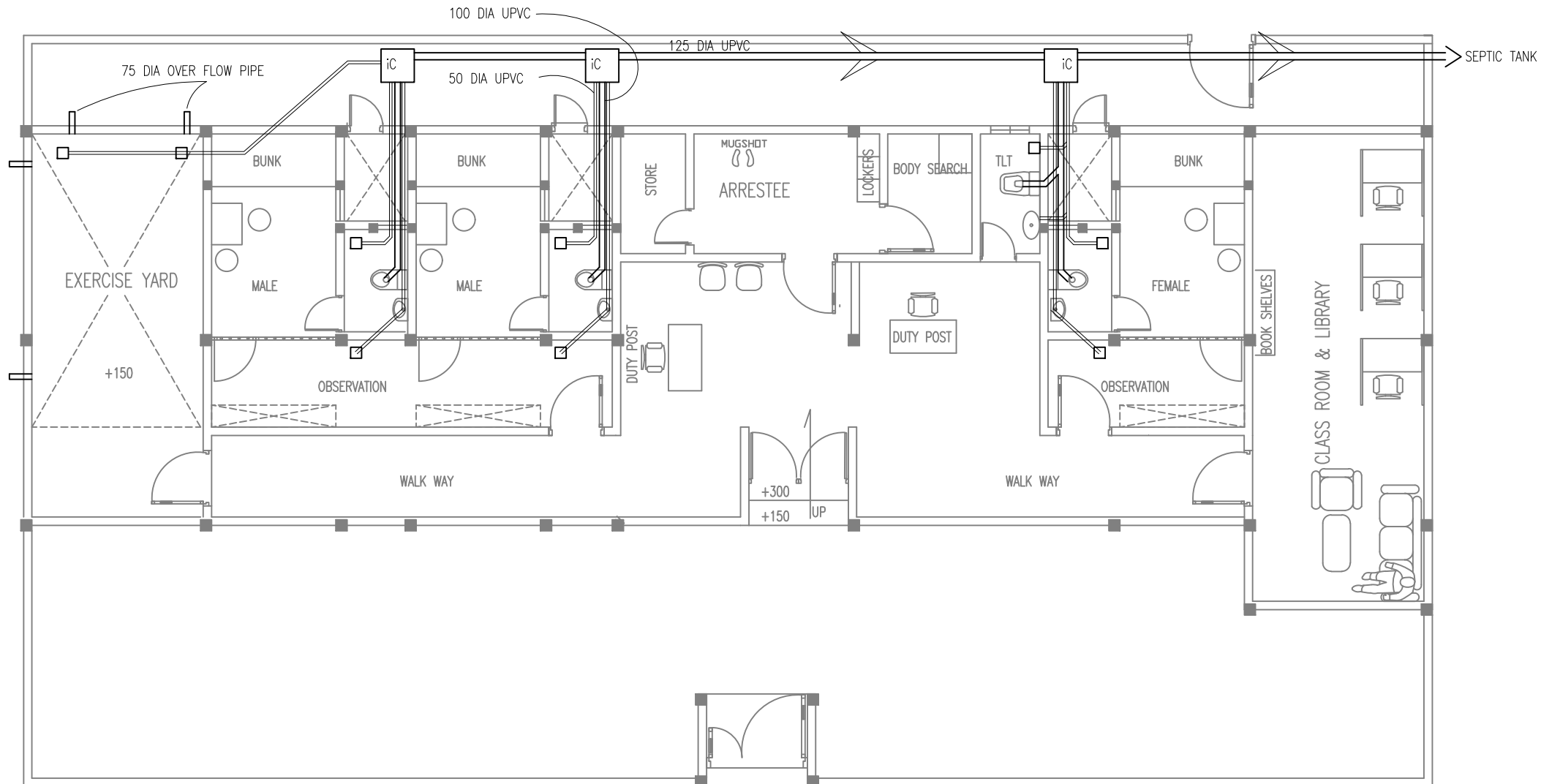
GROUND FLOOR PLAN
SCALE 1:100



SECTION
SCALE 1:20




TOP
SCALE 1:20

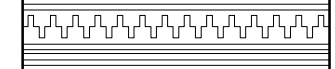


* NOTE : - THIS IS A SCHEMATIC DRAWING. CONTRACTOR MUST MAKE ACTUAL CONSTRUCTION SHOP DRAWINGS AND SUBMIT FOR APPROVAL.
- AFTER COMPLETION OF WORKS CONTRACTOR MUST PRODUCE AS BUILT DRAWINGS.

SEWER LINE
SCALE 1:100

◁ i.C DETAIL
SCALE 1:20

 INFRASTRUCTURE AND BUILDING DEVELOPMENT MALDIVES POLICE SERVICE	
PROJECT TITLE: DHOONIDHOO JUVENILE DETENTION	
MALDIVES POLICE SERVICE SEAL & SIGN	
CONTRACTORS SEAL & SIGN	
<small>THE DRAWINGS, CONCEPT AND DESIGN CONTAINED AREA THE PROPERTIES OF MALDIVES POLICE SERVICE. USE OF ANY KIND OR COPY OF WHOLE OR PART OF THIS DRAWING CONCEPT OR DESIGN OR USE ON OTHER PROJECTS OR SITES OTHER THAN THAT SPECIFIED ON THIS DRAWINGS IS STRICTLY PROHIBITED.</small>	
ARCHITECT/DESIGNER	DRAFTED BY
STRUCTURAL ENGINEER	DRAFTED BY
CHECKED BY	CHECKED BY
ARCHITECTURAL DRAWINGS	
SHEET NO.	14-AUG-2023
A-14	



PROJECT TITLE:
DHOONIDHOO JUVENILE DETENTION

MALDIVES POLICE SERVICE SEAL & SIGN

CONTRACTORS SEAL & SIGN

THE DRAWINGS, CONCEPT AND DESIGN CONTAINED AREA THE PROPERTIES OF MALDIVES POLICE SERVICE. USE OF ANY KIND OR COPY OF WHOLE OR PART OF THIS DRAWING CONCEPT OR DESIGN OR USE ON OTHER PROJECTS OR SITES OTHER THAN THAT SPECIFIED ON THIS DRAWINGS IS STRICTLY PROHIBITED.

ARCHITECT/DESIGNER DRAFTED BY

STRUCTURAL ENGINEER DRAFTED BY

CHECKED BY CHECKED BY

ARCHITECTURAL DRAWINGS

SHEET NO. 14-AUG-2023

A-15

GD1	AREA	N/A
	OPEN AREA	N/A
<p>• = HOOK POINTS</p> <p>LINTEL BEAM ON TOP</p> <p>COLUMN</p> <p>LOCK MECHANISM</p> <p>2050</p> <p>2100</p> <p>825</p> <p>2300</p> <p>COLUMN</p> <p>50MM G.I. SQUARE SECTION 3MM THK FRAMING WELDED TO 10MM REBAR HOOKS EMBEDDED IN THE COLUMN</p> <p>40DIA G.I. PIPE 3MM-2MM THK @50MM SPACING REFER FOOD SLOT AND SHELF DETAIL</p> <p>LOCK MECHANISM</p> <p>472</p> <p>309</p> <p>500</p> <p>6MM THICK SS PLATE 16MM Ø SS PLAIN BAR</p> <p>FOOD SLOT FRONT</p> <p>400</p> <p>130</p> <p>FOOD SLOT SECTION</p> <p>130</p> <p>200</p>		
DESCRIPTION	CELL ENTRANCE DOOR	
MATERIALS	G.I. PIPE	
ACCESSORIES	<ul style="list-style-type: none"> - G.I. GATE HINGE - LOCK MECHANISM WITH HIGH SECURITY PAD LOCK 	
FINISHING	ENAMEL PAINT GRAY	

1. CONFIRM ACTUAL MEASUREMENTS ON SITE BEFORE FABRICATION
 2. SUBMIT ACCESSORIES AND SHOP DRAWINGS FOR APPROVAL
 3. FOR DOOR SWING REFER FLOOR PLANES
 4. INSTALL LINTEL BEAM ABOVE DOORS/WINDOWS NOT TOUCHING BEAM BOTTOM
 5. INSTALL SILL BEAM BELOW WINDOWS
 6. ALL DOOR/WINDOWS VIEWED FROM EXTERIOR
- NGL= NATURAL GROUND LEVEL FFL= FINISHED FLOOR LEVEL FG= FIXED GLASS
WD=WOOD CG=CLEAR GLASS LW=LOUVERS RG=REFLECTIVE GLASS

DOOR WINDOW SHCHEDULE
SCALE 1:50

GD2	AREA	N/A
	OPEN AREA	N/A
DESCRIPTION	CELL TOILET ENTRANCE DOOR	
MATERIALS		
ACCESSORIES		
FINISHING	ENAMEL PAINT GRAY	


GD3	AREA	N/A
	OPEN AREA	N/A
DESCRIPTION	CELL VENTILATION DOOR	
MATERIALS		
ACCESSORIES		
FINISHING	ENAMEL PAINT GRAY	

GD4	AREA	N/A
	OPEN AREA	N/A
DESCRIPTION	CELL TOILET VENTILATION DOOR	
MATERIALS		
ACCESSORIES		
FINISHING	ENAMEL PAINT GRAY	

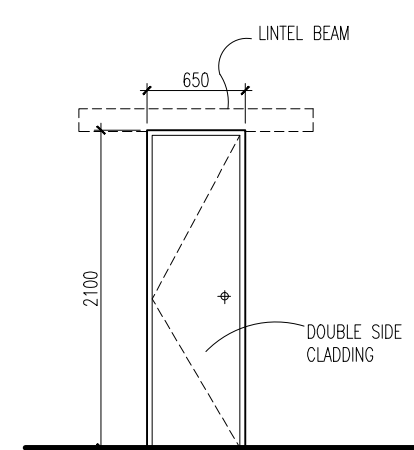
1. CONFIRM ACTUAL MEASUREMENTS ON SITE BEFORE FABRICATION
 2. SUBMIT ACCESSORIES AND SHOP DRAWINGS FOR APPROVAL
 3. FOR DOOR SWING REFER FLOOR PLANES
 4. INSTALL LINTEL BEAM ABOVE DOORS/WINDOWS NOT TOUCHING BEAM BOTTOM
 5. INSTALL SILL BEAM BELOW WINDOWS
 6. ALL DOOR/WINDOWS VIEWED FROM EXTERIOR
- NGL= NATURAL GROUND LEVEL FFL= FINISHED FLOOR LEVEL FG= FIXED GLASS
WD=WOOD CG=CLEAR GLASS LW=LOUVERS RG=REFLECTIVE GLASS

DOOR WINDOW SHCHEDULE

SCALE 1:50

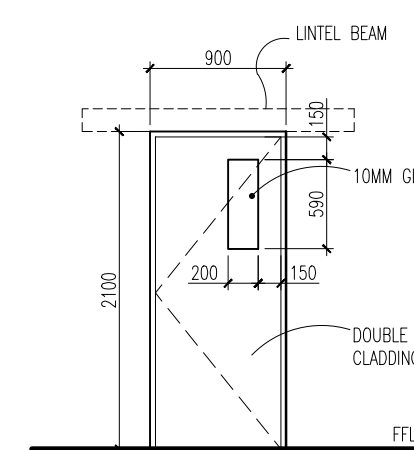
 INFRASTRUCTURE AND BUILDING DEVELOPMENT MALDIVES POLICE SERVICE	
PROJECT TITLE:	
DHOONIDHOO JUVENILE DETENTION	
MALDIVES POLICE SERVICE SEAL & SIGN	
CONTRACTORS SEAL & SIGN	
THE DRAWINGS, CONCEPT AND DESIGN CONTAINED AREA THE PROPERTIES OF MALDIVES POLICE SERVICE. USE OF ANY KIND OR COPY OF WHOLE OR PART OF THIS DRAWING CONCEPT OR DESIGN OR USE ON OTHER PROJECTS OR SITES OTHER THAN THAT SPECIFIED ON THIS DRAWINGS IS STRICTLY PROHIBITED.	
ARCHITECT/DESIGNER	DRAFTED BY
STRUCTURAL ENGINEER	DRAFTED BY
CHECKED BY	CHECKED BY
ARCHITECTURAL DRAWINGS	
SHEET NO.	14-AUG-2023
A-16	

D04	AREA	
	OPEN AREA	



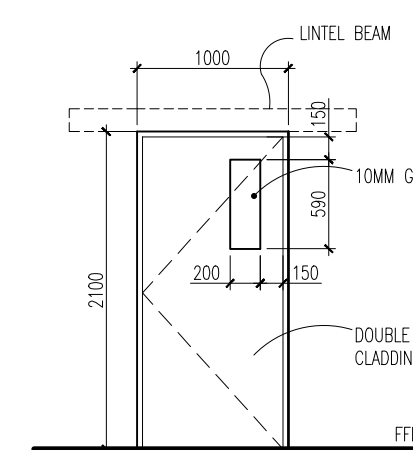
DESCRIPTION	ENTRANCE DOOR
MATERIALS	ALUMINUM DOOR
ACCESSORIES	<ul style="list-style-type: none"> - 4 NOS BEARING HINGE [WITH SS SCREWS] - KNOB LOCK, - FLOOR FIX MAGNETIC DOOR STOPPER
FINISHING	POWDER COATED GRAY

D03	AREA	
	OPEN AREA	



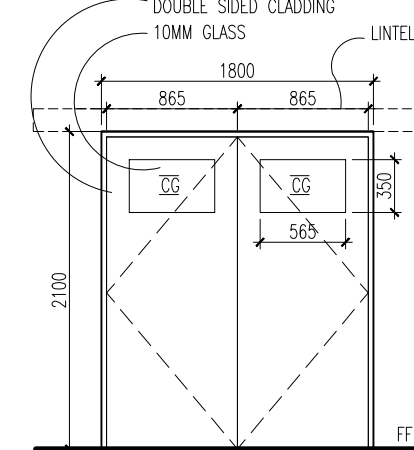
DESCRIPTION	ENTRANCE DOOR
MATERIALS	ALUMINUM DOOR
ACCESSORIES	<ul style="list-style-type: none"> - 4 NOS BEARING HINGE - MORTISE LOCK, PNEUMATIC DOOR CLOSER, - FLOOR FIX MAGNETIC DOOR STOPPER - BOTTOM SWEEP NYLON BRUSH
FINISHING	POWDER COATED GRAY

D02	AREA	
	OPEN AREA	



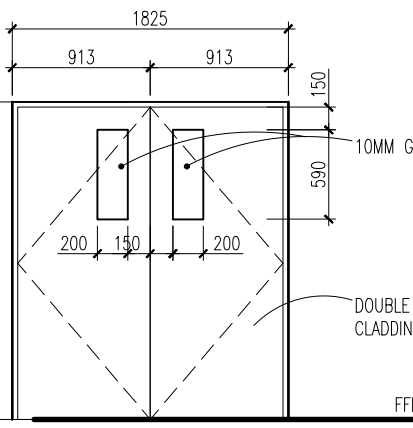
DESCRIPTION	ENTRANCE DOOR
MATERIALS	ALUMINUM DOOR
ACCESSORIES	<ul style="list-style-type: none"> - 4 NOS BEARING HINGE - MORTISE LOCK, PNEUMATIC DOOR CLOSER, - FLOOR FIX MAGNETIC DOOR STOPPER - BOTTOM SWEEP NYLON BRUSH
FINISHING	POWDER COATED GRAY

D01	AREA	2.10 SQM
	OPEN AREA	1.92 SQM



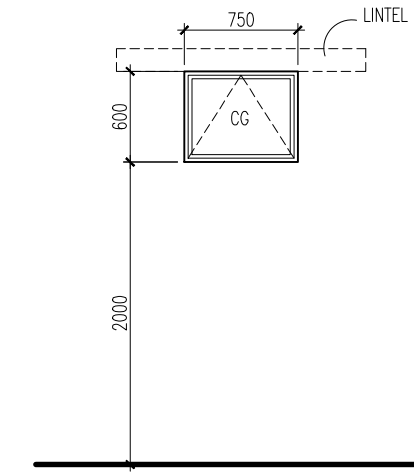
DESCRIPTION	ENTRANCE DOOR
MATERIALS	ALUMINUM, GLASS
ACCESSORIES	<ul style="list-style-type: none"> - 8 NOS BEARING HINGE - MORTISE LOCK, PNEUMATIC DOOR CLOSER, - FLOOR FIX MAGNETIC DOOR STOPPER - BOTTOM SWEEP NYLON BRUSH
FINISHING	POWDER COATED GRAY

GT1	AREA	
	OPEN AREA	



DESCRIPTION	ENTRANCE DOOR
MATERIALS	ALUMINUM DOOR
ACCESSORIES	<ul style="list-style-type: none"> - 4 NOS BEARING HINGE - MORTISE LOCK, PNEUMATIC DOOR CLOSER, - FLOOR FIX MAGNETIC DOOR STOPPER - BOTTOM SWEEP NYLON BRUSH
FINISHING	POWDER COATED GRAY

V02	AREA	0.45 SQM
	OPEN AREA	0.39 SQM



DESCRIPTION	TOP HUNG VENT DOOR
MATERIALS	CLEAR GLASS, ALUMINUM
ACCESSORIES	<ul style="list-style-type: none"> - LOCK & HANDLE - WEATHER SEALING SYSTEM
FINISHING	WHITE COLOR

1. CONFIRM ACTUAL MEASUREMENTS ON SITE BEFORE FABRICATION
 2. SUBMIT ACCESSORIES AND SHOP DRAWINGS FOR APPROVAL
 3. FOR DOOR SWING REFER FLOOR PLANES
 4. INSTALL LINTEL BEAM ABOVE DOORS/WINDOWS NOT TOUCHING BEAM BOTTOM
 5. INSTALL SILL BEAM BELOW WINDOWS
 6. ALL DOOR/WINDOWS VIEWED FROM EXTERIOR
- NGL= NATURAL GROUND LEVEL FFL= FINISHED FLOOR LEVEL FG= FIXED GLASS
WD=WOOD CG=CLEAR GLASS LW=LOUVERS RG=REFLECTIVE GLASS

DOOR WINDOW SHCHEDULE

SCALE 1:50

PROJECT TITLE:
DHOONIDHOO JUVENILE DETENTION

MALDIVES POLICE SERVICE SEAL & SIGN

CONTRACTORS SEAL & SIGN

THE DRAWINGS, CONCEPT AND DESIGN CONTAINED AREA THE PROPERTIES OF MALDIVES POLICE SERVICE. USE OF ANY KIND OR COPY OF WHOLE OR PART OF THIS DRAWING CONCEPT OR DESIGN OR USE ON OTHER PROJECTS OR SITES OTHER THAN THAT SPECIFIED ON THIS DRAWINGS IS STRICTLY PROHIBITED

ARCHITECT/DESIGNER DRAFTED BY

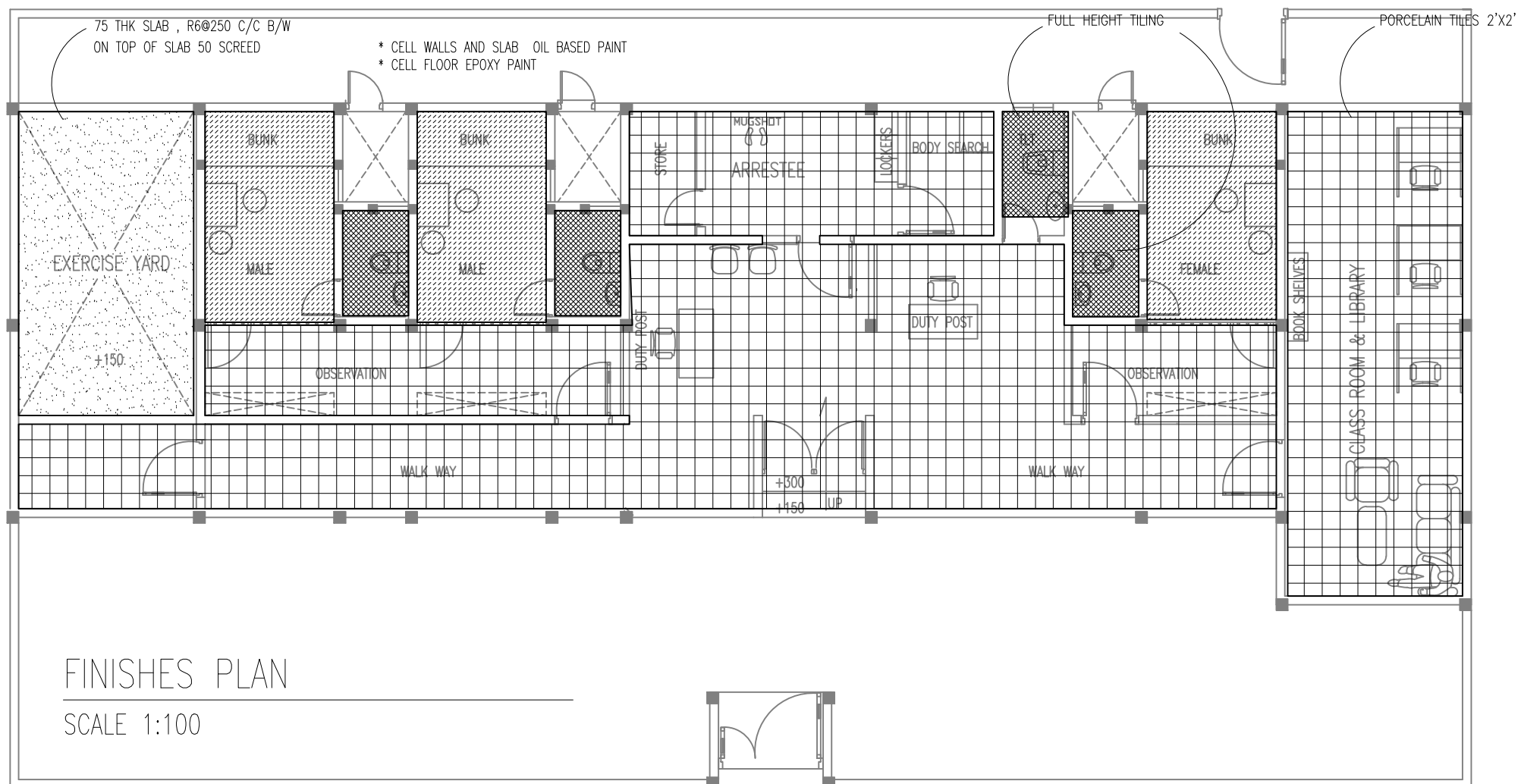
STRUCTURAL ENGINEER DRAFTED BY

CHECKED BY CHECKED BY

ARCHITECTURAL DRAWINGS




SHEET NO. 14-AUG-2023

A-18



FINISHES PLAN

SCALE 1:100

-  CERAMIC TILE FINISH: FLOOR 1FTX1FT, WALLS FULL HEIGHT 2FTX1FT(NON-SKID)
-  PORCELAIN 2FTX2FT TILES WITH 4 INCH SKIRTING TILE FROM SAME TILE, FULL GLOSS INTERNAL PAINT ON WALLS AND CEILINGS
-  EPOXY GRAY PAINT FINISH ON FLOOR, FULL GLOSS INTERNAL PAINT ON WALLS AND CEILINGS

- * ALL EXTERIOR PAINT: OUTDOOR GRADE PAINT
- * APPLY WATER PROOF GRADE PUTTY ON WALLS BEFORE ANY INTERNAL PAINT.

PROJECT TITLE:
DHOONIDHOO JUVENILE DETENTION

MALDIVES POLICE SERVICE SEAL & SIGN

CONTRACTORS SEAL & SIGN

THE DRAWINGS, CONCEPT AND DESIGN CONTAINED AREA THE PROPERTIES OF MALDIVES POLICE SERVICE. USE OF ANY KIND OR COPY OF WHOLE OR PART OF THIS DRAWING CONCEPT OR DESIGN OR USE ON OTHER PROJECTS OR SITES OTHER THAN THAT SPECIFIED ON THIS DRAWINGS IS STRICTLY PROHIBITED

ARCHITECT/DESIGNER DRAFTED BY

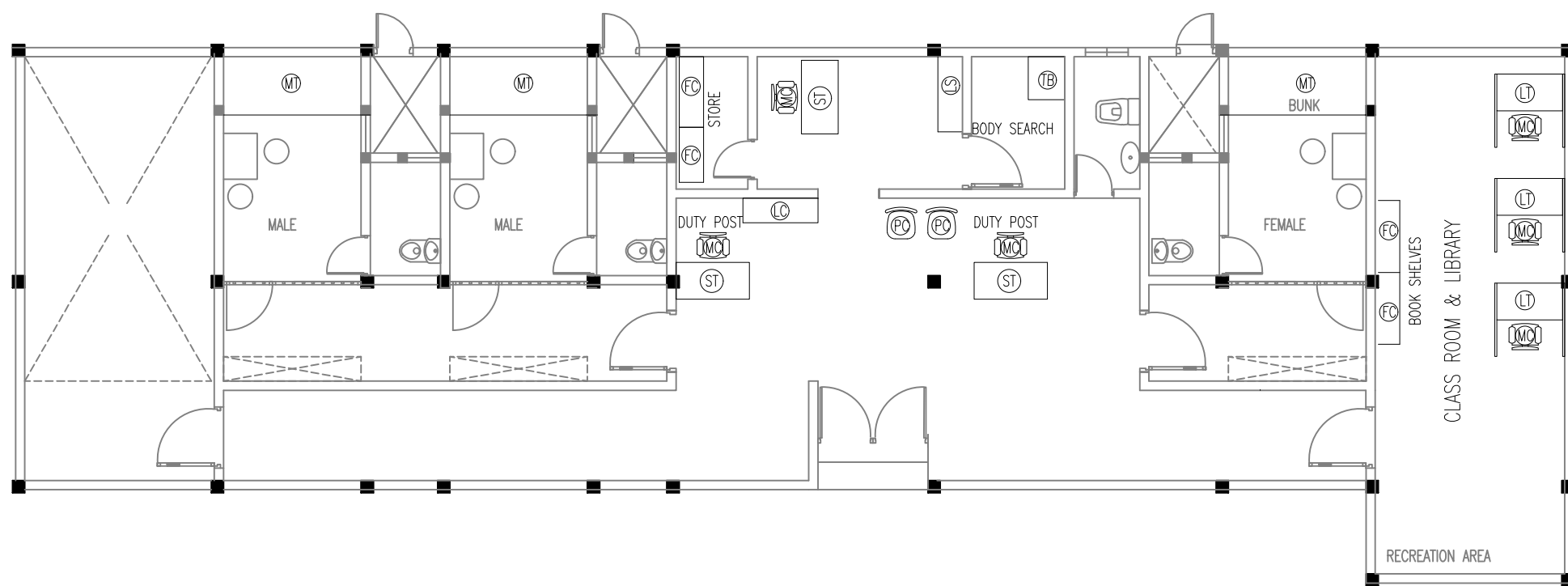
STRUCTURAL ENGINEER DRAFTED BY

CHECKED BY CHECKED BY

ARCHITECTURAL DRAWINGS

SHEET NO. 14-AUG-2023

A-19



FURNITURE PLAN

SCALE 1:100

PROJECT TITLE:
DHOONIDHOO JUVENILE DETENTION

MALDIVES POLICE SERVICE SEAL & SIGN

CONTRACTORS SEAL & SIGN

THE DRAWINGS, CONCEPT AND DESIGN CONTAINED AREA THE PROPERTIES OF MALDIVES POLICE SERVICE. USE OF ANY KIND OR COPY OF WHOLE OR PART OF THIS DRAWING CONCEPT OR DESIGN OR USE ON OTHER PROJECTS OR SITES OTHER THAN THAT SPECIFIED ON THIS DRAWINGS IS STRICTLY PROHIBITED

ARCHITECT/DESIGNER DRAFTED BY

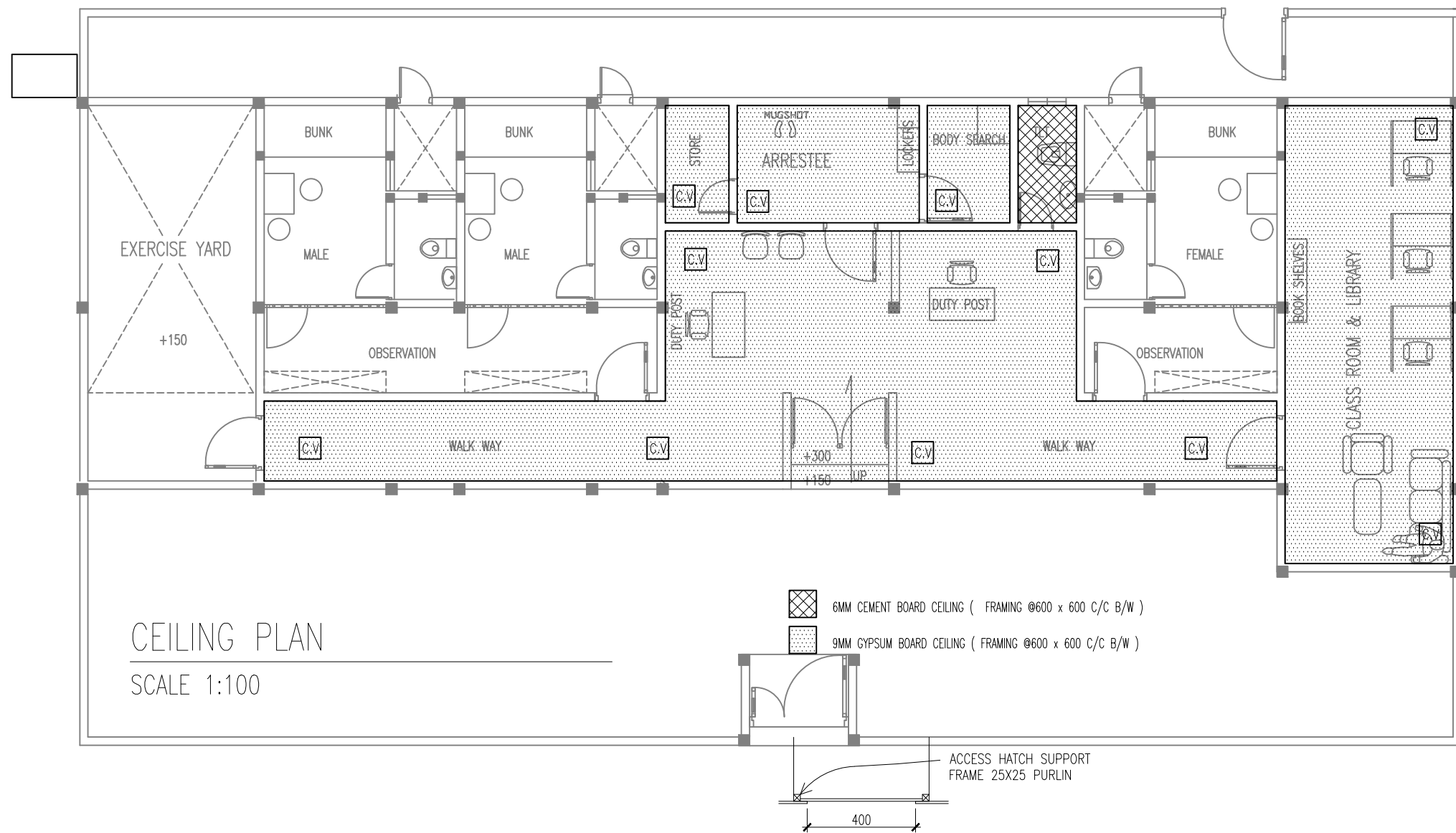
STRUCTURAL ENGINEER DRAFTED BY

CHECKED BY CHECKED BY

ARCHITECTURAL DRAWINGS

SHEET NO. 14-AUG-2023

A-20



PROJECT TITLE:
DHOONIDHOO JUVENILE DETENTION

MALDIVES POLICE SERVICE SEAL & SIGN

CONTRACTORS SEAL & SIGN

THE DRAWINGS, CONCEPT AND DESIGN CONTAINED AREA
THE PROPERTIES OF MALDIVES POLICE SERVICE. USE OF
ANY KIND OR COPY OF WHOLE OR PART OF THIS
DRAWING CONCEPT OR DESIGN OR USE ON OTHER
PROJECTS OR SITES OTHER THAN THAT SPECIFIED ON
THIS DRAWINGS IS STRICTLY PROHIBITED

ARCHITECT/DESIGNER DRAFTED BY

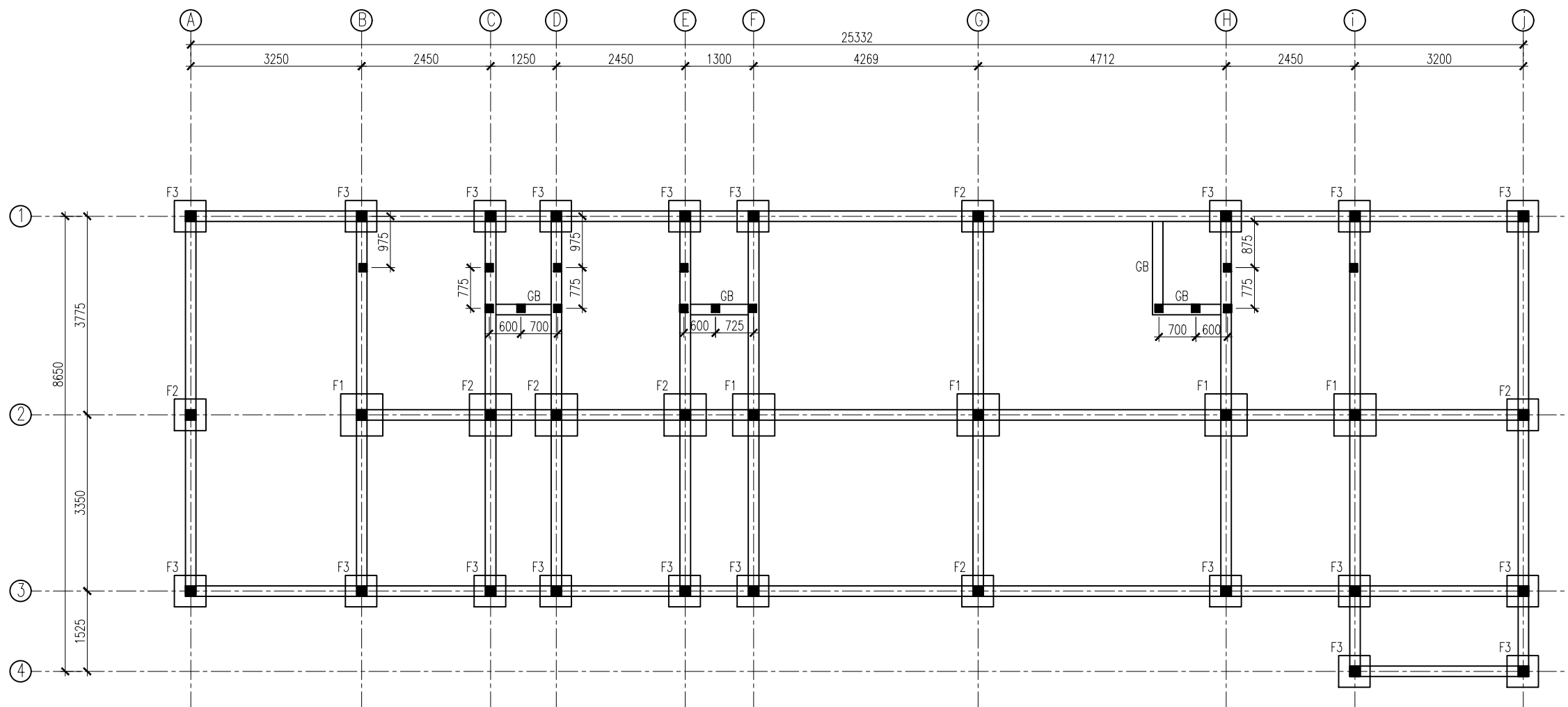
STRUCTURAL ENGINEER DRAFTED BY

CHECKED BY CHECKED BY

ARCHITECTURAL DRAWINGS

SHEET NO. 14-AUG-2023

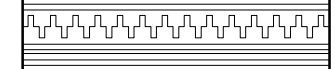
S-01



NOTE: ALL BEAM= TB EXCEPT SHOWN

FOUNDATION PLAN

SCALE 1:100



PROJECT TITLE:
DHOONIDHOO JUVENILE DETENTION

MALDIVES POLICE SERVICE SEAL & SIGN

CONTRACTORS SEAL & SIGN

THE DRAWINGS, CONCEPT AND DESIGN CONTAINED AREA THE PROPERTIES OF MALDIVES POLICE SERVICE. USE OF ANY KIND OR COPY OF WHOLE OR PART OF THIS DRAWING CONCEPT OR DESIGN OR USE ON OTHER PROJECTS OR SITES OTHER THAN THAT SPECIFIED ON THIS DRAWINGS IS STRICTLY PROHIBITED.

ARCHITECT/DESIGNER DRAFTED BY

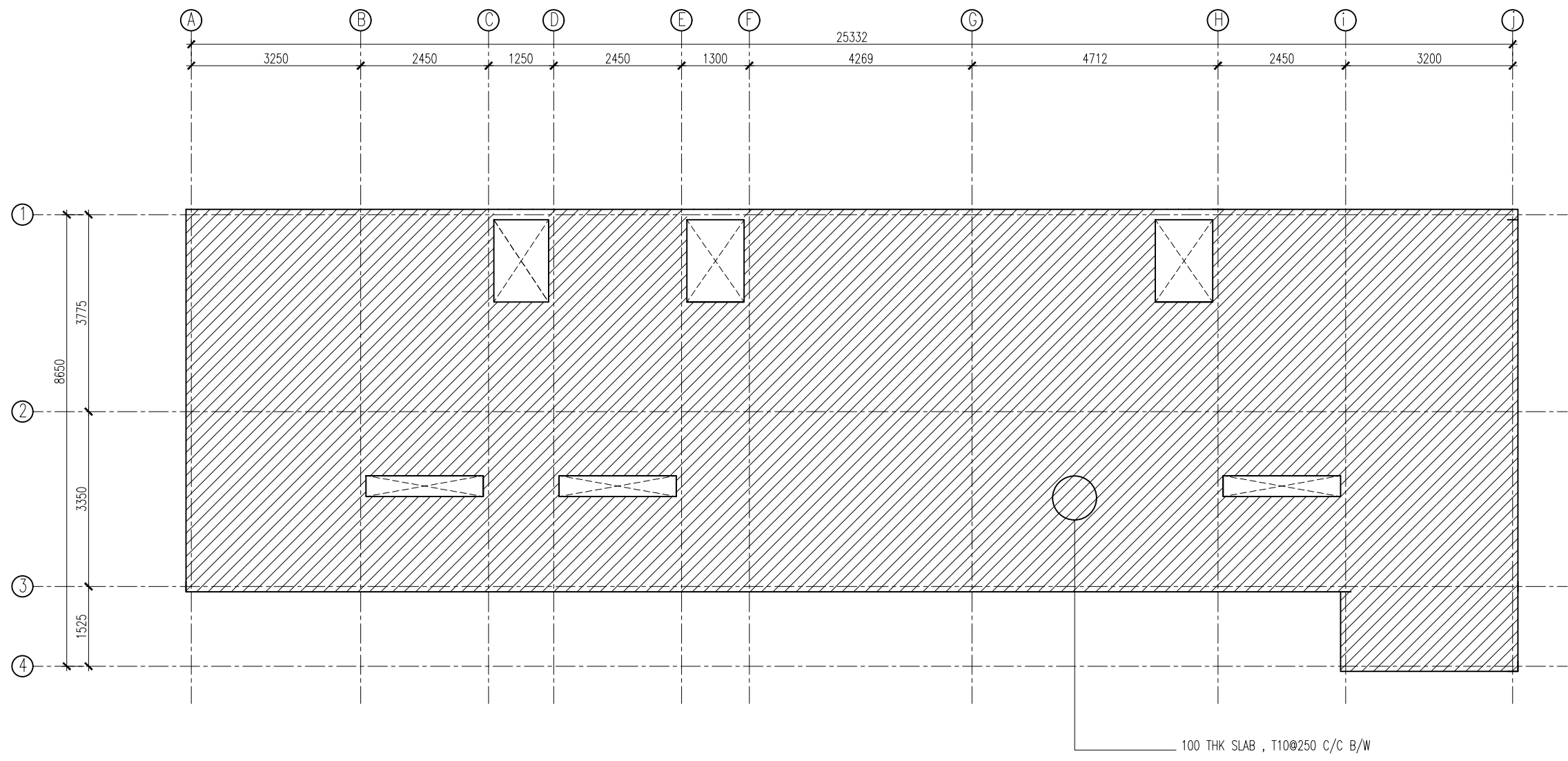
STRUCTURAL ENGINEER DRAFTED BY

CHECKED BY CHECKED BY

ARCHITECTURAL DRAWINGS

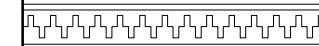
SHEET NO. 14-AUG-2023

S-03



GROUND SLAB PLAN

SCALE 1:100



PROJECT TITLE:
DHOONIDHOO JUVENILE DETENTION

MALDIVES POLICE SERVICE SEAL & SIGN

CONTRACTORS SEAL & SIGN

THE DRAWINGS, CONCEPT AND DESIGN CONTAINED AREA THE PROPERTIES OF MALDIVES POLICE SERVICE. USE OF ANY KIND OR COPY OF WHOLE OR PART OF THIS DRAWING CONCEPT OR DESIGN OR USE ON OTHER PROJECTS OR SITES OTHER THAN THAT SPECIFIED ON THIS DRAWINGS IS STRICTLY PROHIBITED

ARCHITECT/DESIGNER DRAFTED BY

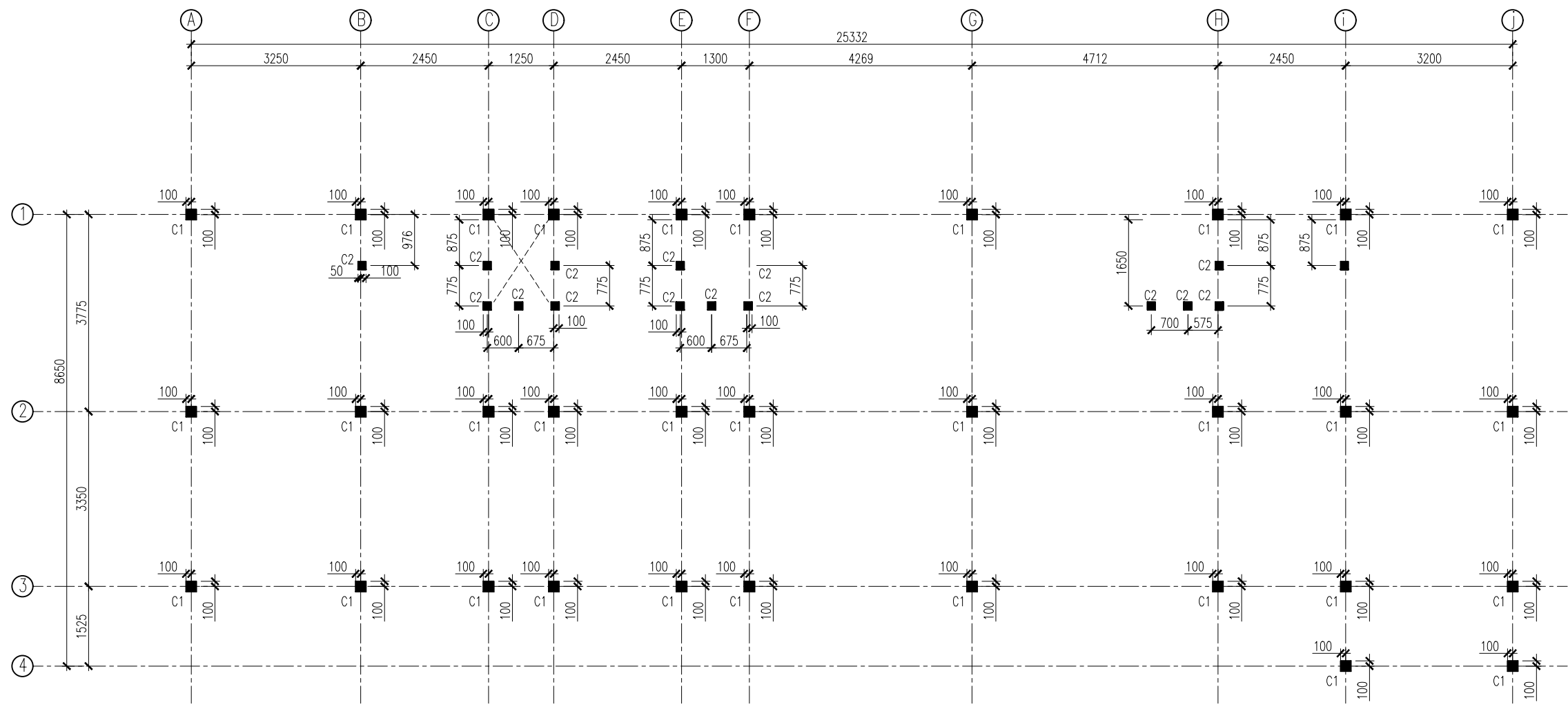
STRUCTURAL ENGINEER DRAFTED BY

CHECKED BY CHECKED BY

ARCHITECTURAL DRAWINGS

SHEET NO. 14-AUG-2023

S-02



COLUMN PLAN

SCALE 1:100

PROJECT TITLE:
DHOONIDHOO JUVENILE DETENTION

MALDIVES POLICE SERVICE SEAL & SIGN

CONTRACTORS SEAL & SIGN

THE DRAWINGS, CONCEPT AND DESIGN CONTAINED AREA THE PROPERTIES OF MALDIVES POLICE SERVICE. USE OF ANY KIND OR COPY OF WHOLE OR PART OF THIS DRAWING CONCEPT OR DESIGN OR USE ON OTHER PROJECTS OR SITES OTHER THAN THAT SPECIFIED ON THIS DRAWINGS IS STRICTLY PROHIBITED

ARCHITECT/DESIGNER DRAFTED BY

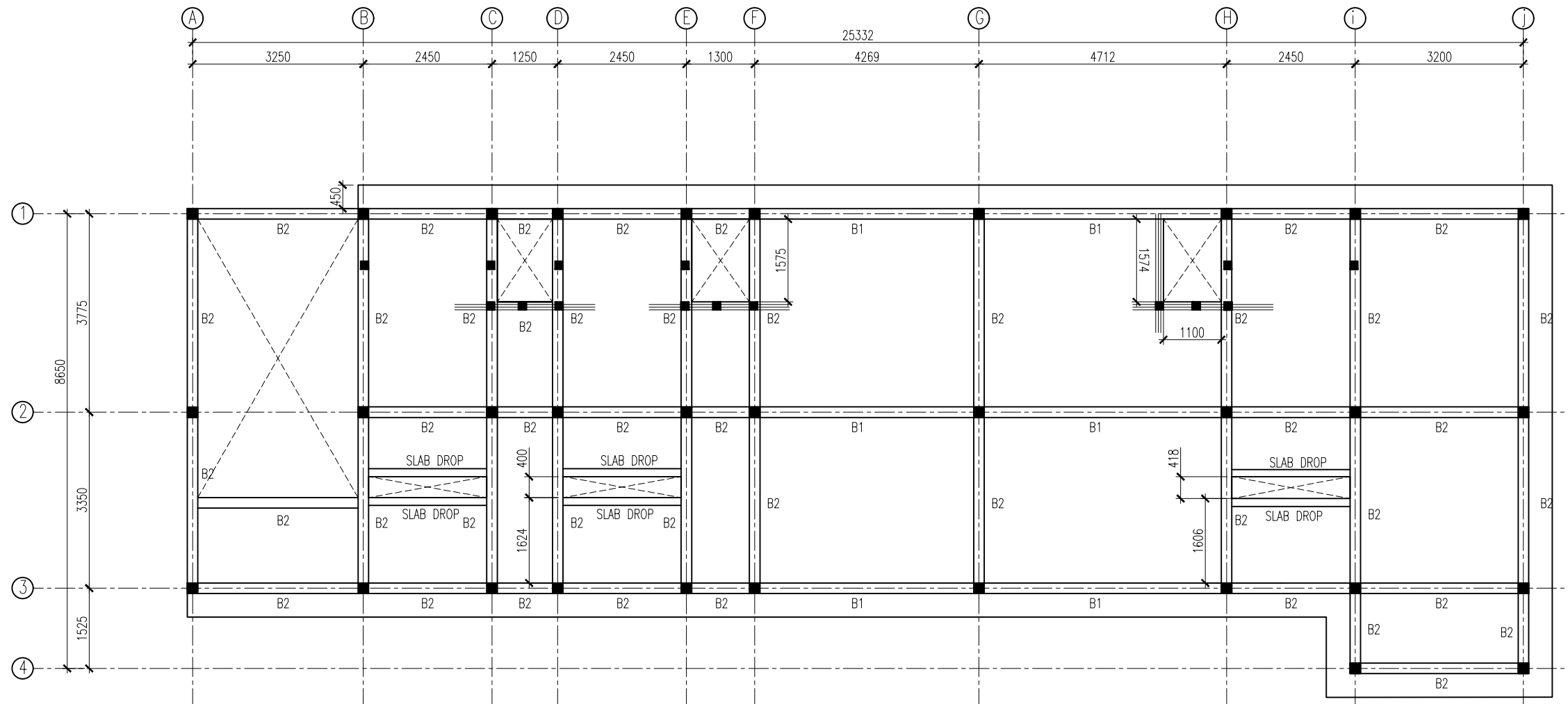
STRUCTURAL ENGINEER DRAFTED BY

CHECKED BY CHECKED BY

ARCHITECTURAL DRAWINGS

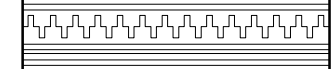
SHEET NO. 14-AUG-2023

S-04



ROOF BEAM PLAN

SCALE 1:100



PROJECT TITLE:
DHOONIDHOO JUVENILE DETENTION

MALDIVES POLICE SERVICE SEAL & SIGN

CONTRACTORS SEAL & SIGN

THE DRAWINGS, CONCEPT AND DESIGN CONTAINED AREA THE PROPERTIES OF MALDIVES POLICE SERVICE. USE OF ANY KIND OR COPY OF WHOLE OR PART OF THIS DRAWING CONCEPT OR DESIGN OR USE ON OTHER PROJECTS OR SITES OTHER THAN THAT SPECIFIED ON THIS DRAWINGS IS STRICTLY PROHIBITED

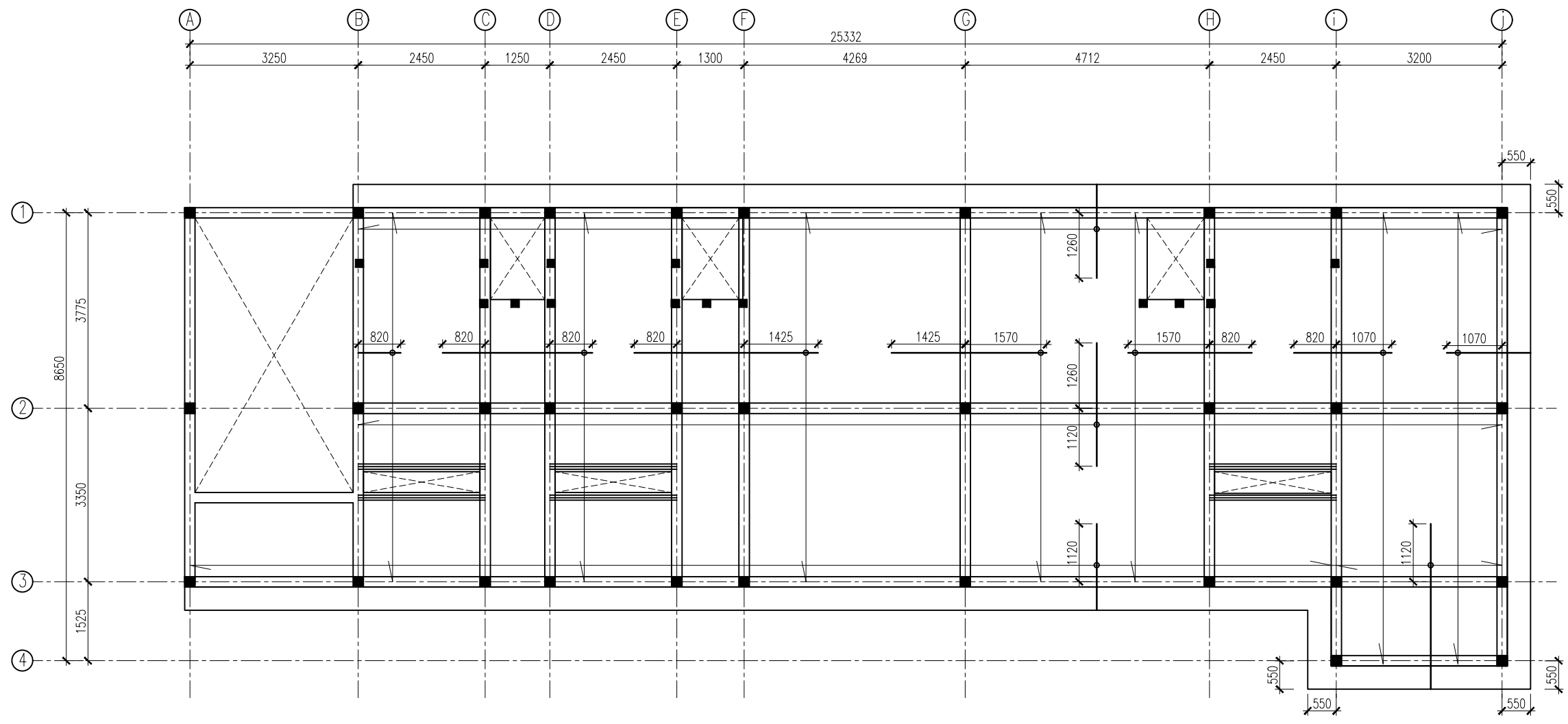
ARCHITECT/DESIGNER DRAFTED BY

STRUCTURAL ENGINEER DRAFTED BY

CHECKED BY CHECKED BY

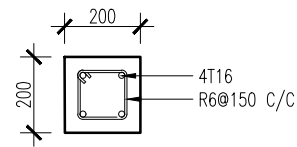
ARCHITECTURAL DRAWINGS
SHEET NO. 14-AUG-2023

S-05

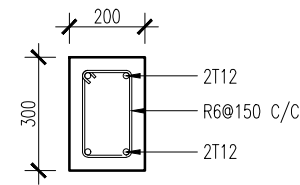


NOTES: SLAB THICKNESS = 150MM
 BOTTOM RFMT: = T10@150 C/C B/W THROUGHOUT (NOT SHOWN)
 TOP RFMT: = T10@150 C/C (AS SHOWN)
 TOP DIST: = T10@300 C/C (AS SHOWN)
 = EXTRA BARS T10@ 40 C/C

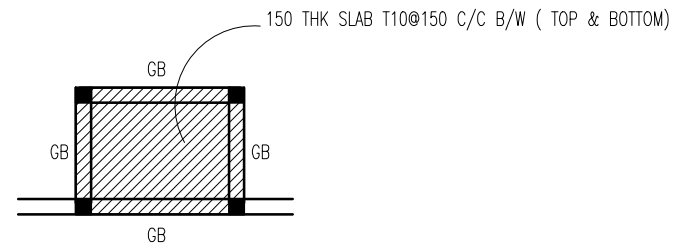
SLAB PLAN
SCALE 1:100



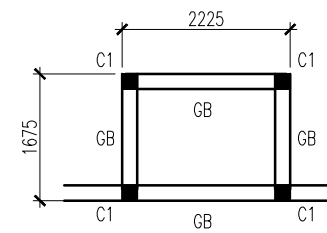
SCALE 1:20 (C1)



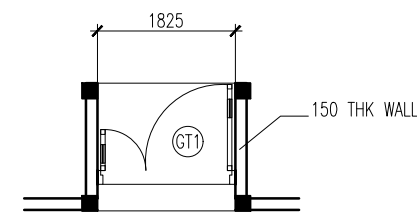
SCALE 1:20 (GB)




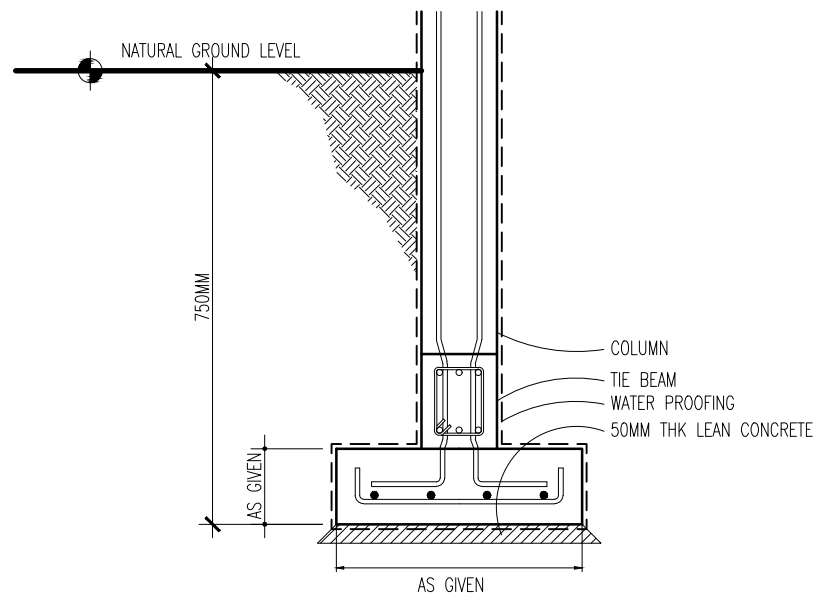
ROOF BEAM AND SLAB
SCALE 1:100



FOUNDATION & COLUMNS
SCALE 1:100

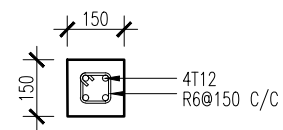


 INFRASTRUCTURE AND BUILDING DEVELOPMENT MALDIVES POLICE SERVICE	
PROJECT TITLE:	
DHOONIDHOO JUVENILE DETENTION	
MALDIVES POLICE SERVICE SEAL & SIGN	
CONTRACTORS SEAL & SIGN	
<small>THE DRAWINGS, CONCEPT AND DESIGN CONTAINED AREA THE PROPERTIES OF MALDIVES POLICE SERVICE. USE OF ANY KIND OR COPY OF WHOLE OR PART OF THIS DRAWING CONCEPT OR DESIGN OR USE ON OTHER PROJECTS OR SITES OTHER THAN THAT SPECIFIED ON THIS DRAWINGS IS STRICTLY PROHIBITED.</small>	
ARCHITECT/DESIGNER	DRAFTED BY
STRUCTURAL ENGINEER	DRAFTED BY
CHECKED BY	CHECKED BY
ARCHITECTURAL DRAWINGS	
SHEET NO.	14-AUG-2023
S-06	

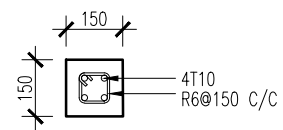


FOUNDATION DETAILS
SCALE 1:20

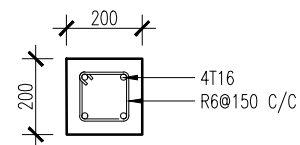
TYPE	DIMENSIONS	REINFORCEMENT
F1	900x800x250 MM	T12@150 C/C B/W (BOTTOM)
F2	700x700x250 MM	T12@150 C/C B/W (BOTTOM)
F3	600x600x250 MM	T12@150 C/C B/W (BOTTOM)



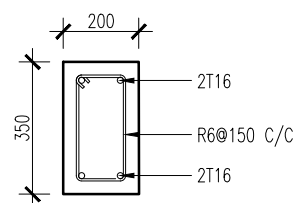
STIFFENER COLUMN (C2)
SCALE 1:20



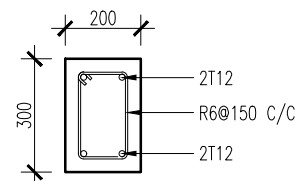
LINTEL BEAM (LB)
SCALE 1:20



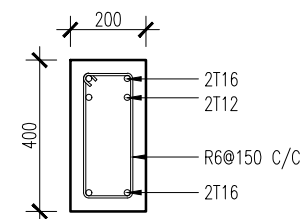
(C1)
SCALE 1:20



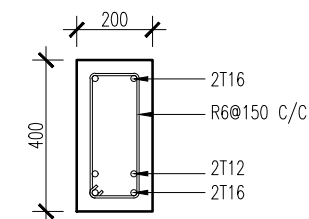
(TB)
SCALE 1:20



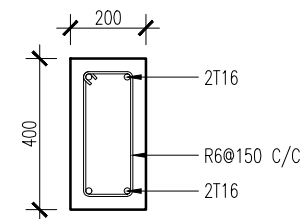
(GB)
SCALE 1:20



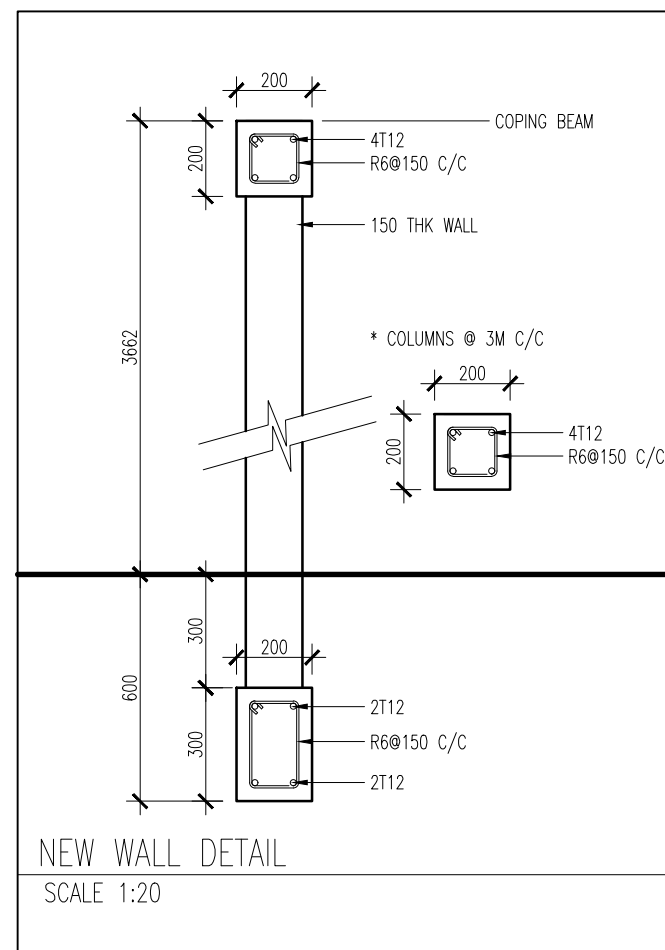
@SUPPORT (B1)
SCALE 1:20



@MID-SPAN (B1)



@SUPPORT (B2)
SCALE 1:20



NEW WALL DETAIL
SCALE 1:20

COVER TO REINFORCEMENT
 FOUNDATION: 50 MM
 COLUMNS: 40 MM
 BEAMS: 35 MM
 SLABS: 35 MM (BOTTOM)
 SLABS: 30 MM (TOP)
 LAPPING: 45 X DIA TO 55 X DIA
 ANCHORAGE: 12 X DIA
 AVOID LAPPING IN MAXIMUM BENDING MOMENT REGION

INFRASTRUCTURE AND BUILDING DEVELOPMENT
MALDIVES POLICE SERVICE

PROJECT TITLE:
DHOONIDHOO JUVENILE DETENTION

MALDIVES POLICE SERVICE SEAL & SIGN

CONTRACTORS SEAL & SIGN

THE DRAWINGS, CONCEPT AND DESIGN CONTAINED AREA THE PROPERTIES OF MALDIVES POLICE SERVICE. USE OF ANY KIND OR COPY OF WHOLE OR PART OF THIS DRAWING CONCEPT OR DESIGN OR USE ON OTHER PROJECTS OR SITES OTHER THAN THAT SPECIFIED ON THIS DRAWINGS IS STRICTLY PROHIBITED.

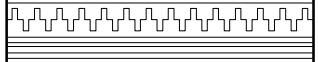
ARCHITECT/DESIGNER DRAFTED BY

STRUCTURAL ENGINEER DRAFTED BY

CHECKED BY CHECKED BY

ARCHITECTURAL DRAWINGS
SHEET NO. 14-AUG-2023

S-07



PROJECT TITLE:
DHOONIDHOO JUVENILE DETENTION

MALDIVES POLICE SERVICE SEAL & SIGN

CONTRACTORS SEAL & SIGN

ARCHITECT/DESIGNER DRAFTED BY

STRUCTURAL ENGINEER DRAFTED BY

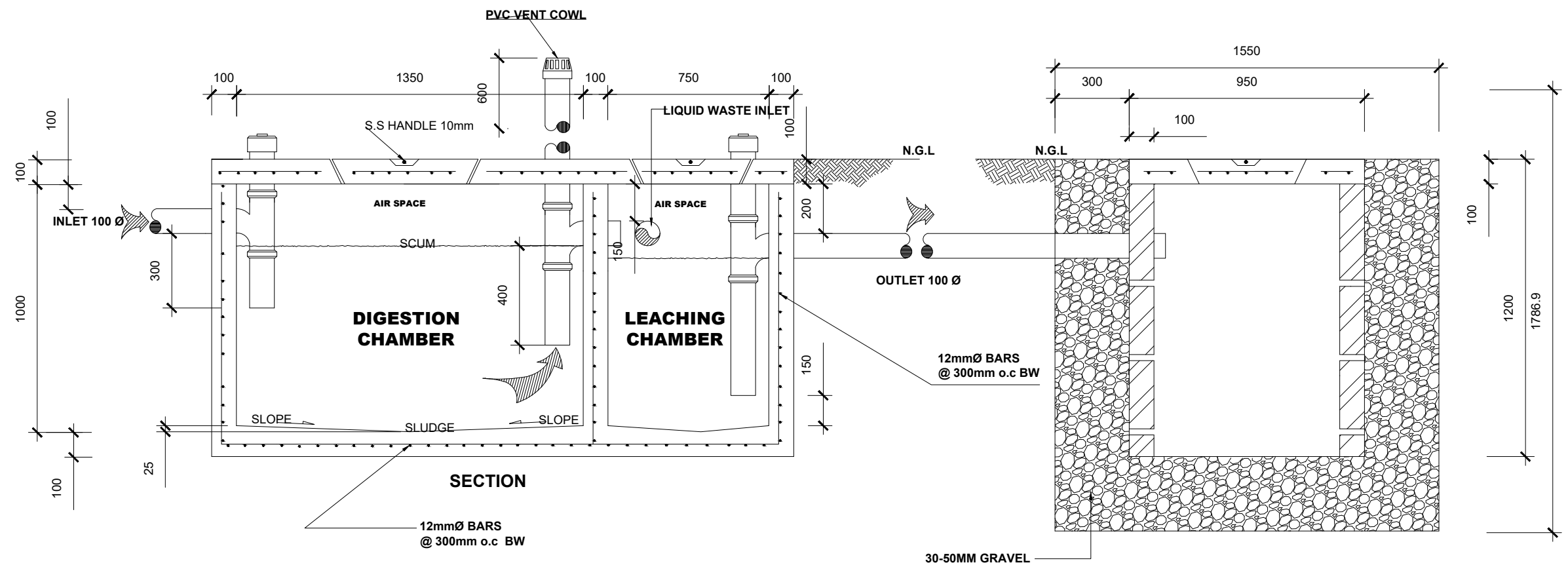
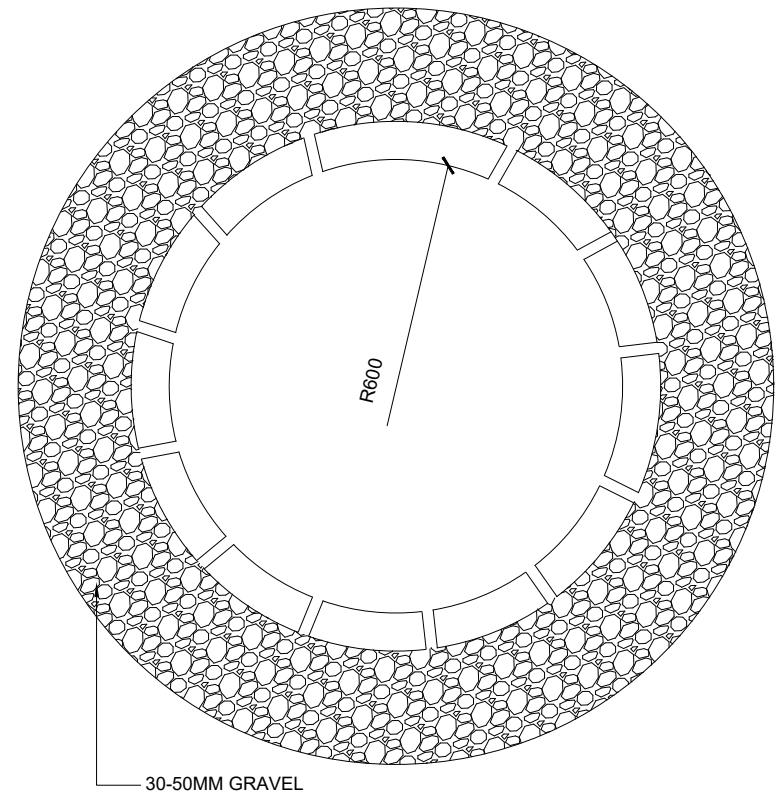
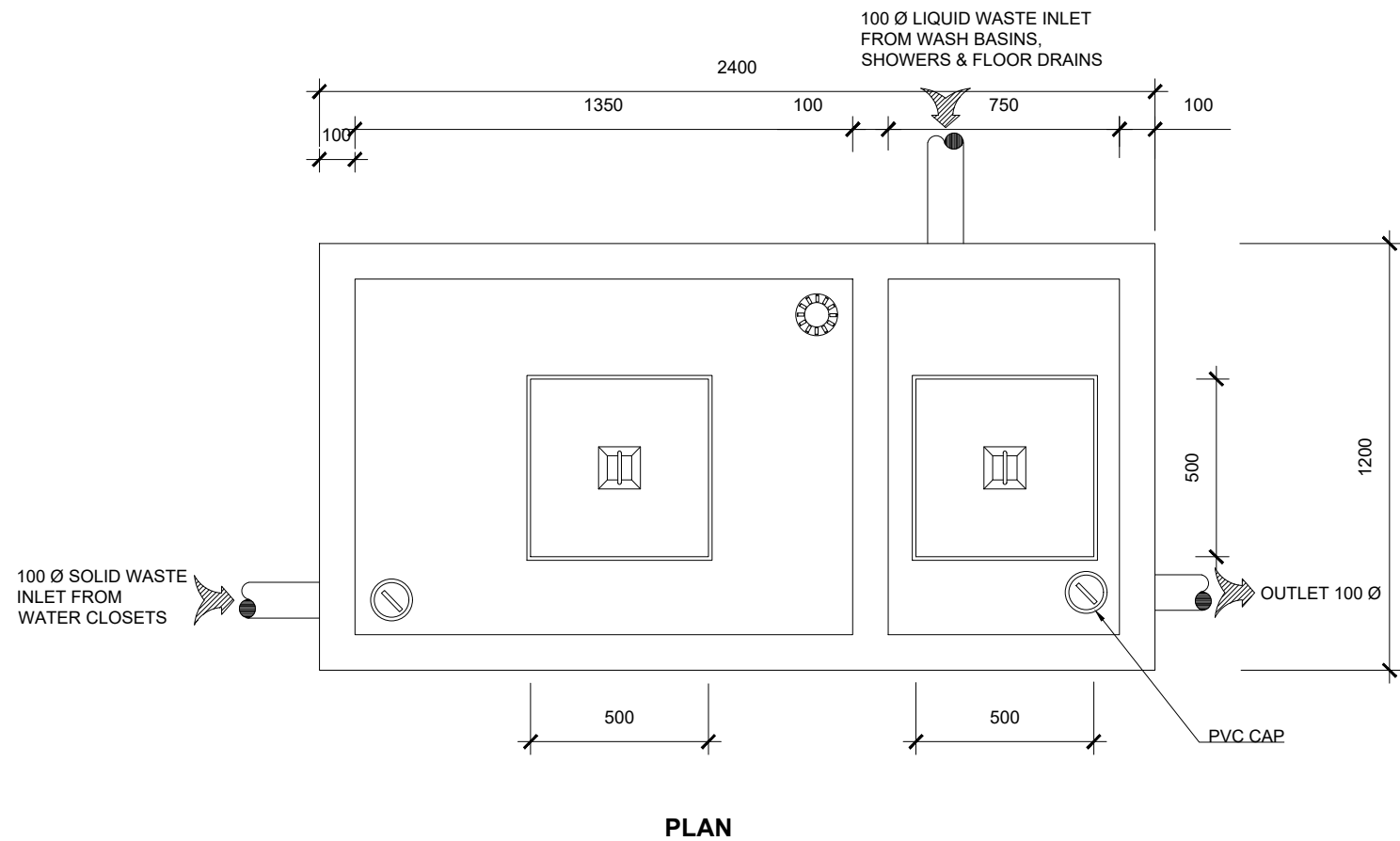
CHECKED BY CHECKED BY

ARCHITECTURAL DRAWINGS

SHEET NO. 14-AUG-2023

S-08

THE DRAWINGS, CONCEPT AND DESIGN CONTAINED AREA THE PROPERTIES OF MALDIVES POLICE SERVICE. USE OF ANY KIND OR COPY OF WHOLE OR PART OF THIS DRAWING CONCEPT OR DESIGN OR USE ON OTHER PROJECTS OR SITES OTHER THAN THAT SPECIFIED ON THIS DRAWINGS IS STRICTLY PROHIBITED.



DETAIL OF SEPTIC TANK
SCALE 1:20