

1 2 3 4 5 6 7 8 9

A

B

C

D

E

F

A

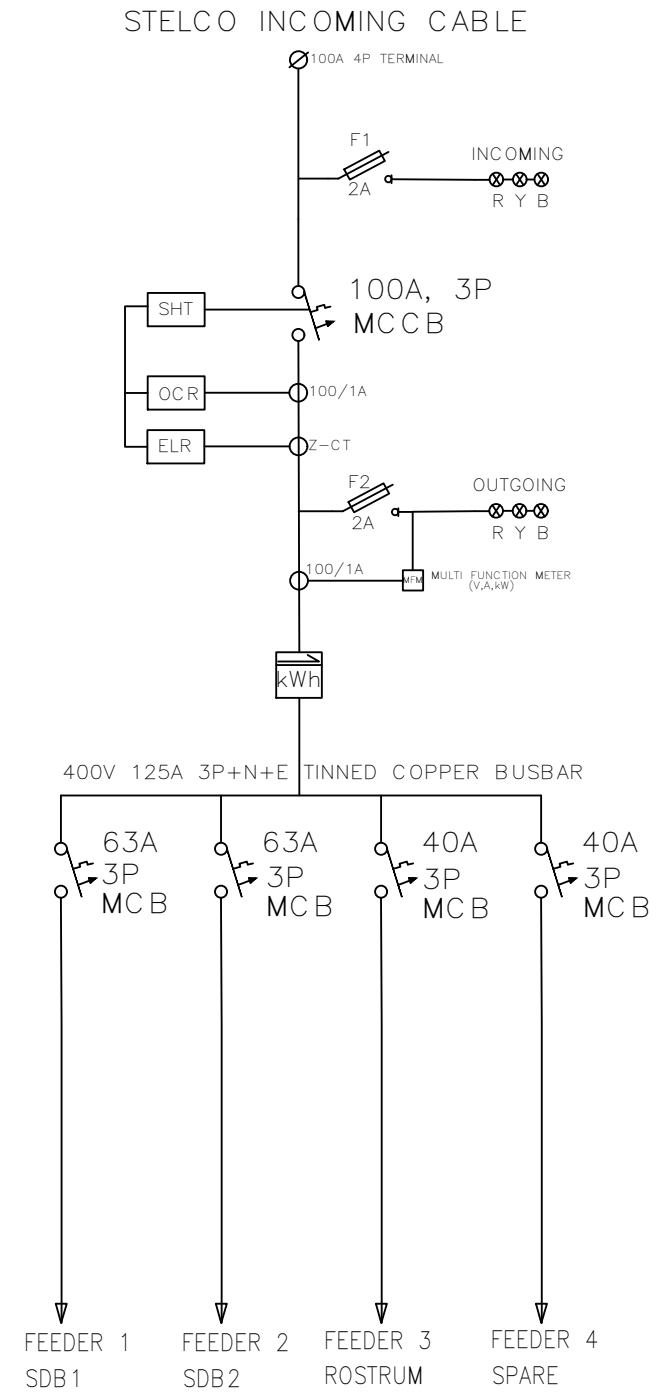
B

C

D

E

F



				PROJECT	TITLE	Page: -/-
					MAIN POWER DISTRIBUTION PANEL	
					SLD	T.Sheet: -
Rev	Date	Detail	Drawing by:	Checked by:		
	24.05.2024	PRELIM. DESIGN				

1 2 3 4 5 6 7 8 9

A

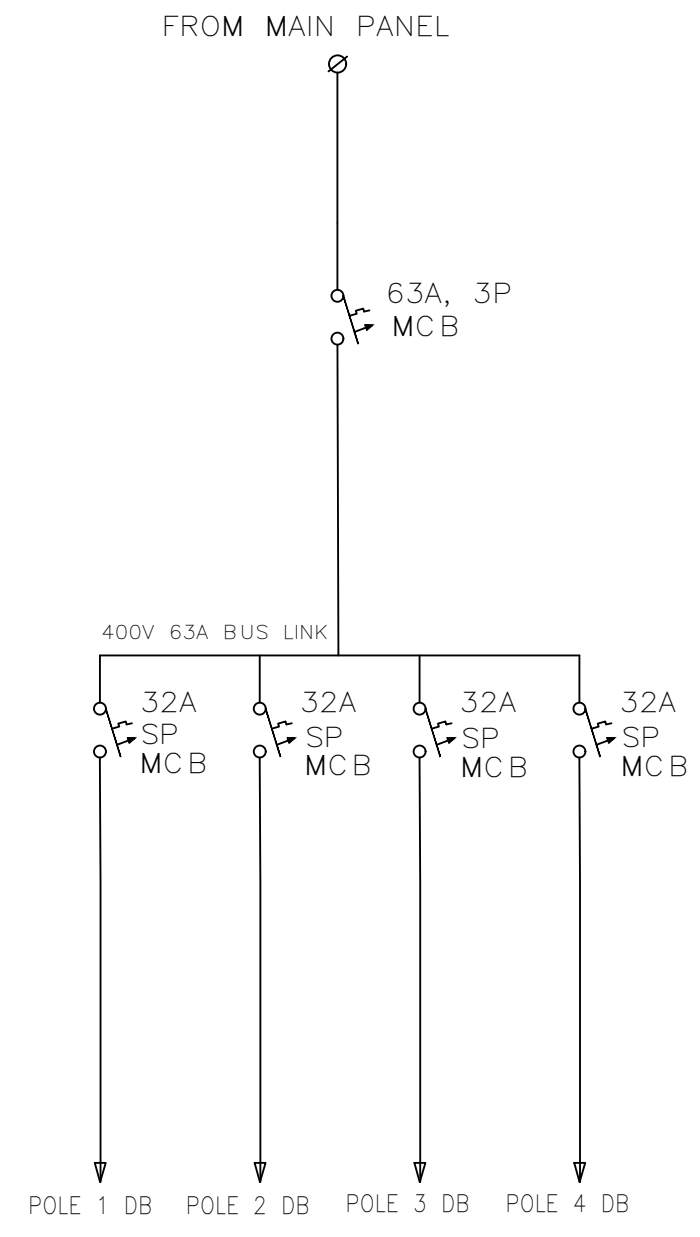
B

C

D

E

F

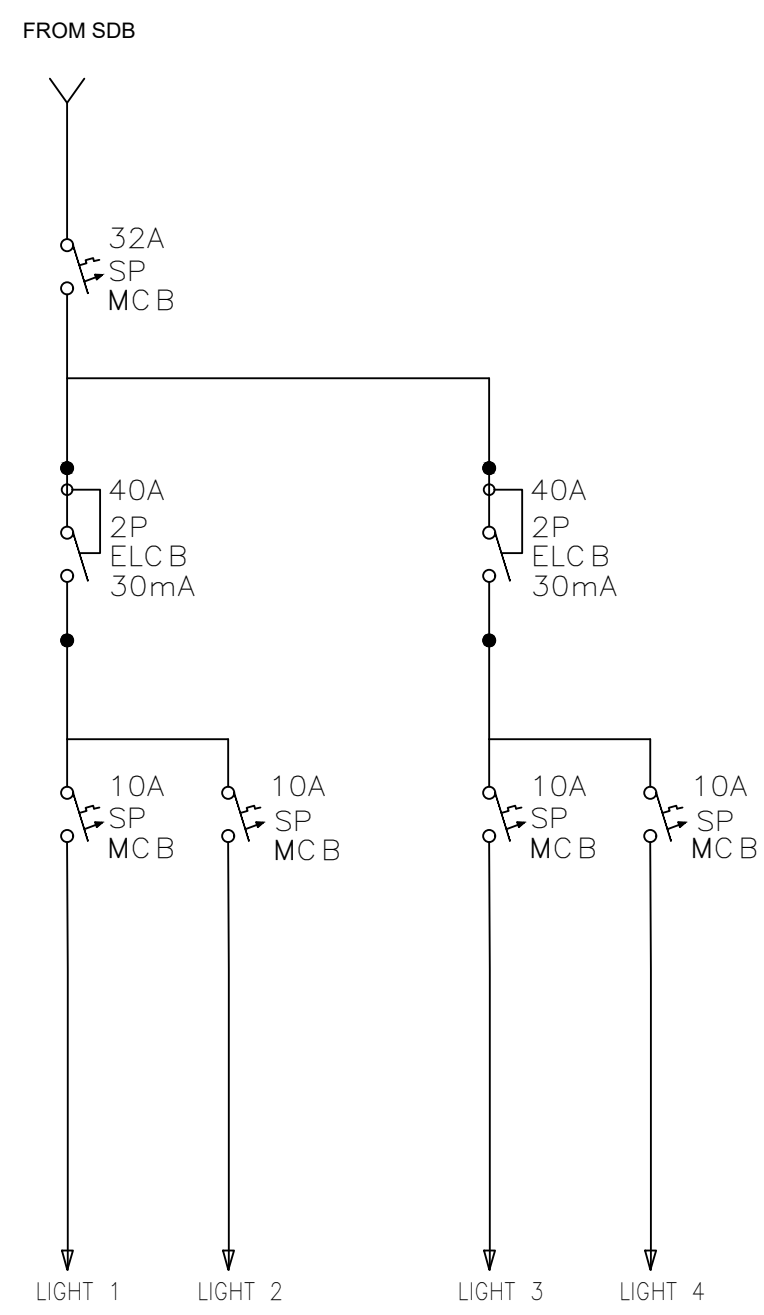


					PROJECT	TITLE	Page: -/-
						TYPICAL SDB DESIGN	T.Sheet: -
Rev	Date	Detail	Drawing by:	Checked by:			
	24.05.2022	PRELIM. DESIGN	S. HAMEED (120011)	A. NIYAZ (10462)			

1 2 3 4 5 6 7 8 9

A
B
C
D
E
F

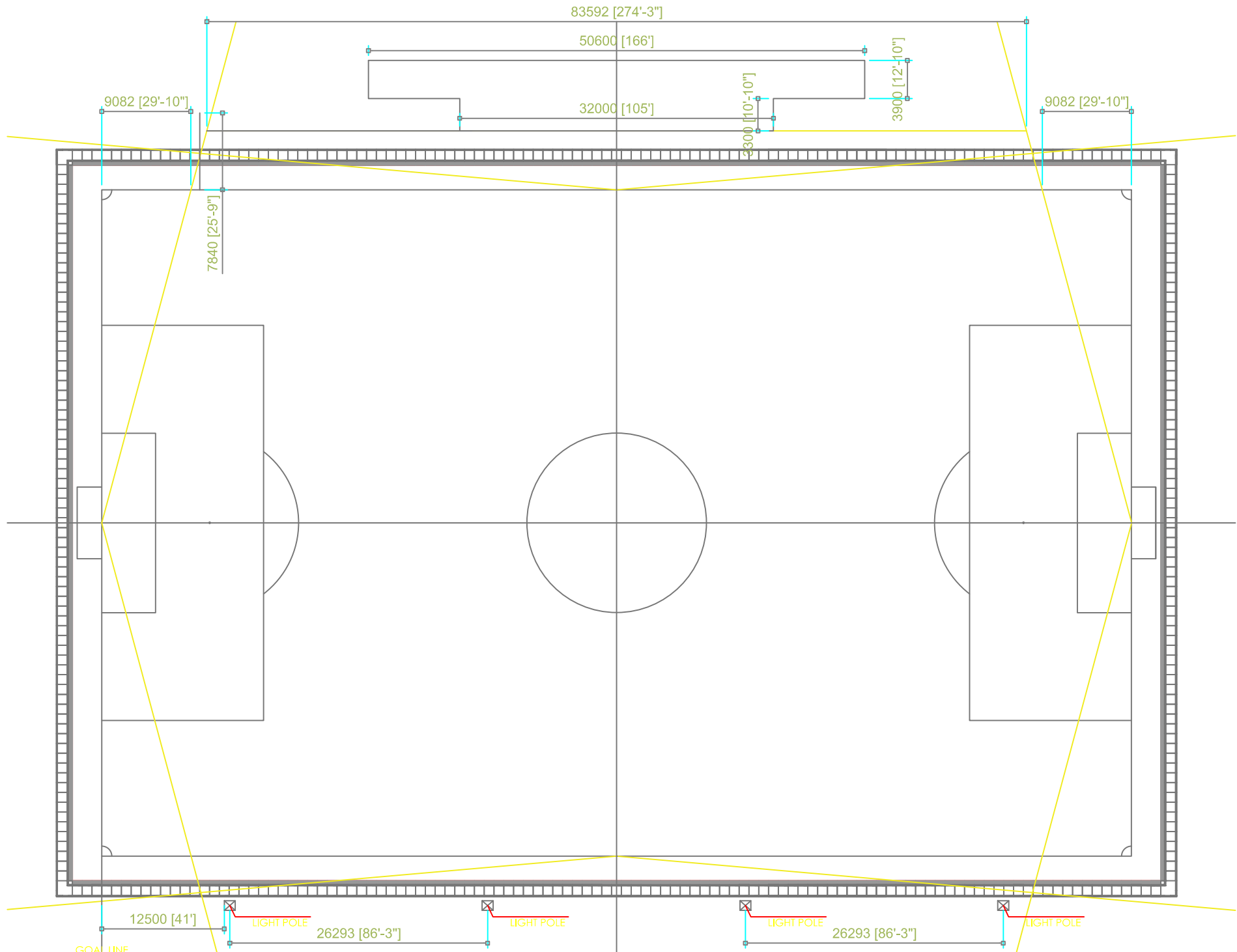
A
B
C
D
E
F



					PROJECT
24.05.2024	PRELIM DESIGN	S. HAMEED (120011)	A. NIYAZ (10462)		
Rev	Date	Detail	Drawing by:	Checked by:	

TITLE	Page: -/-
TYPICAL POLE DB	T.Sheet: -

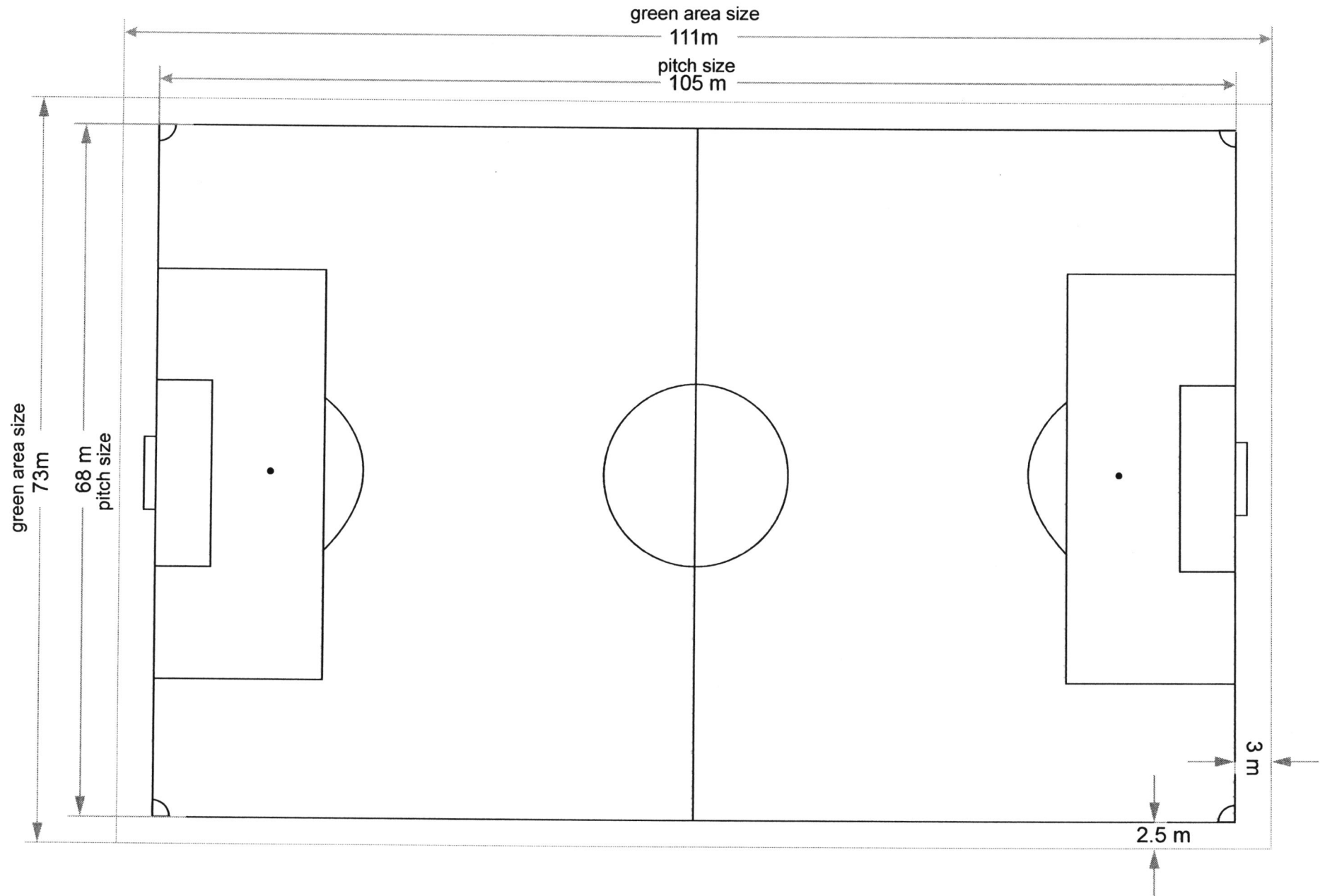


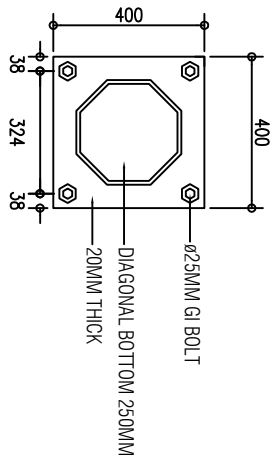


STANDARD ARTIFICIAL TURF FULL PITCH PLAN

POSITIONING OF LIGHT POLES WILL BE MIRRORED TO THE OTHER SIDE OF THE PITCH

STANDARD FOOTBALL GROUND SIZE

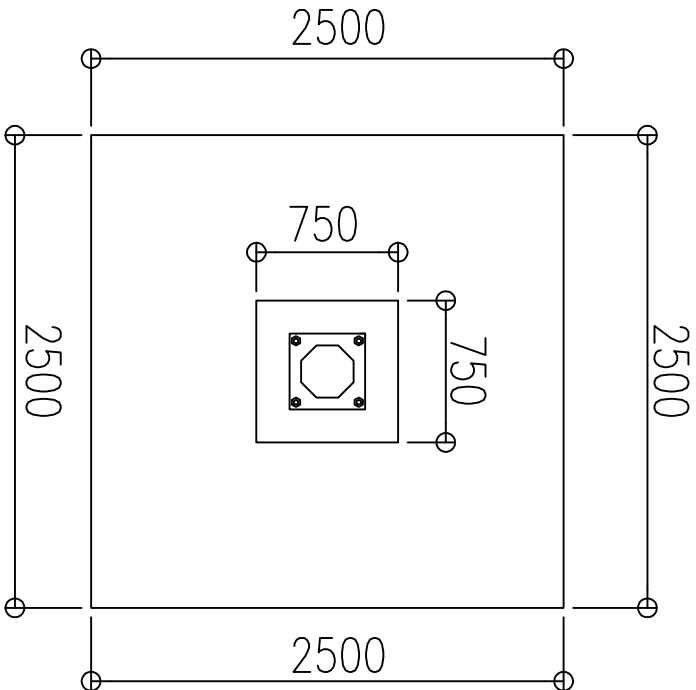




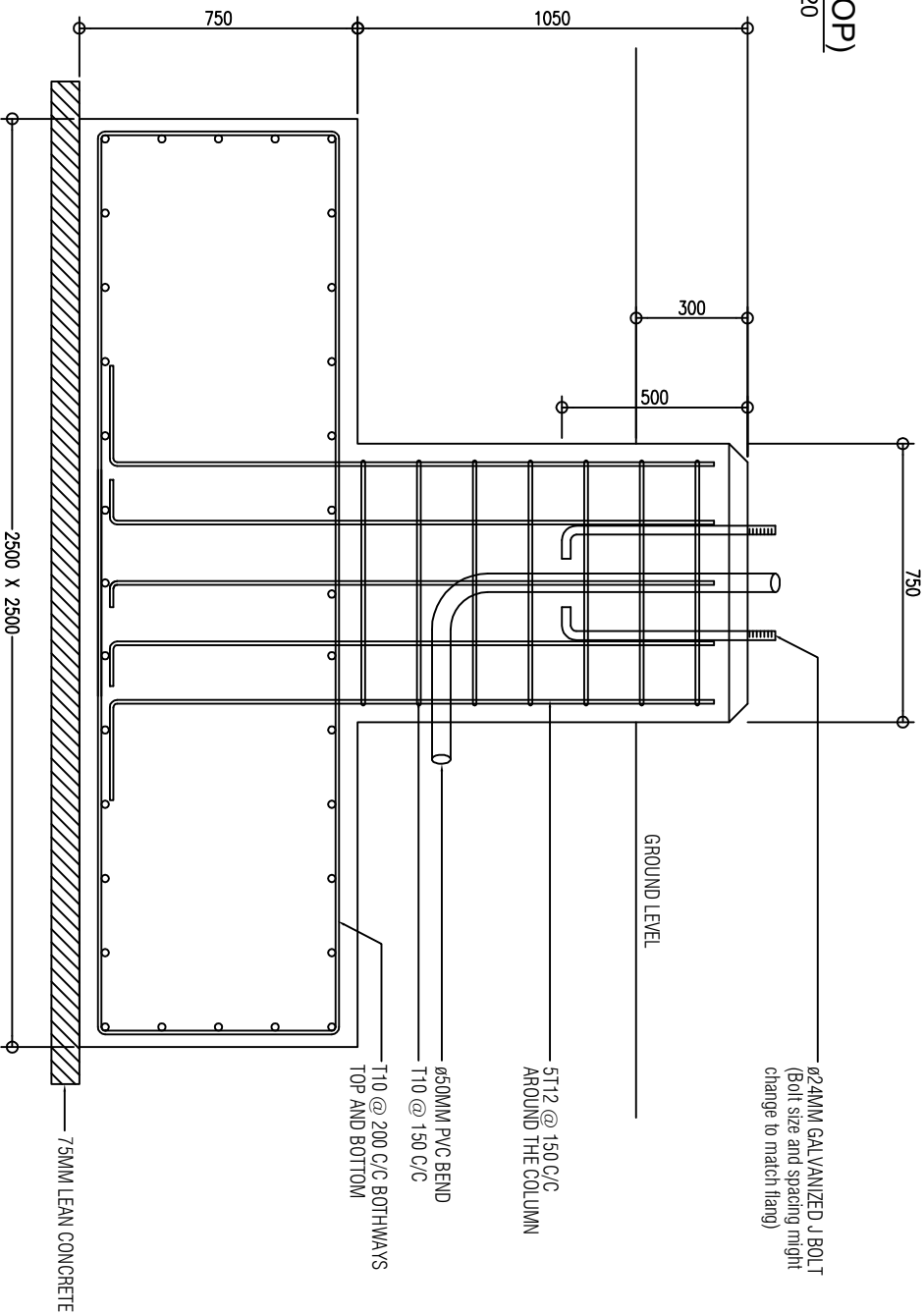
MAST FLANG (BOTTOM)
SCALE - 1:20



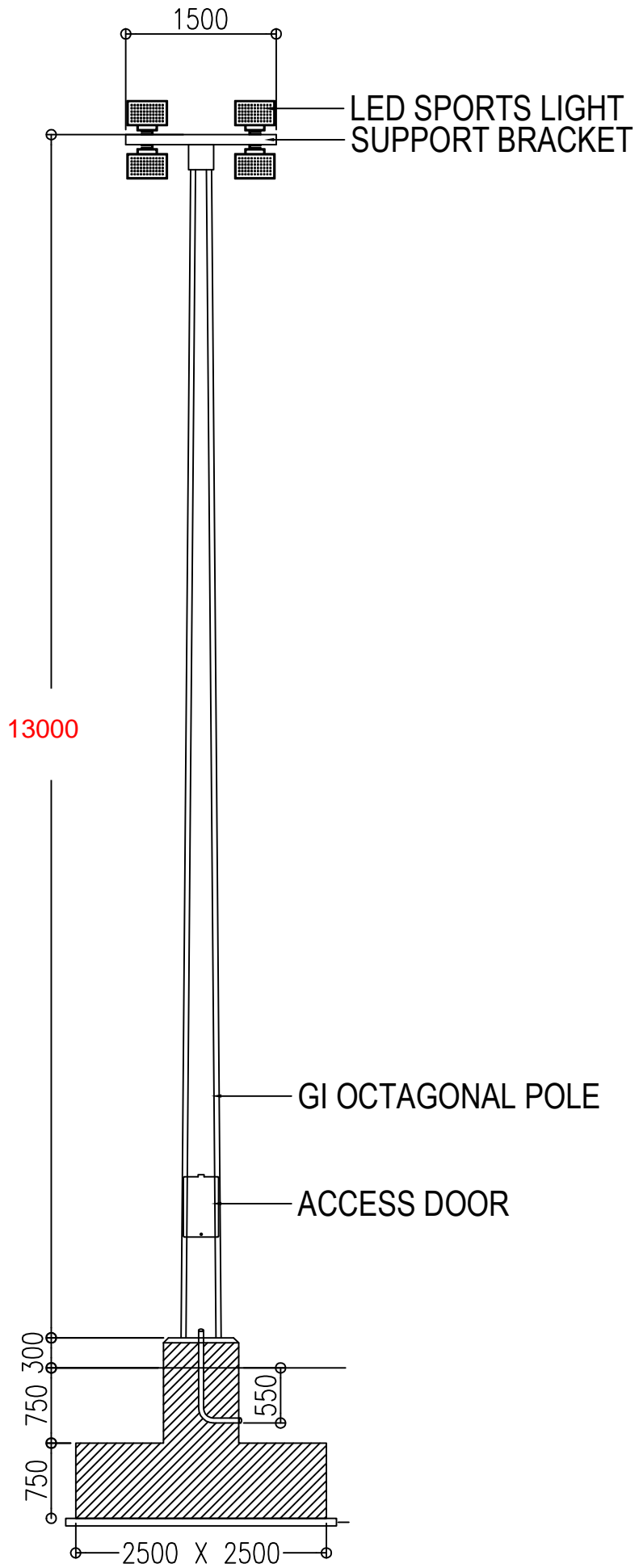
MAST (TOP)
SCALE - 1:20



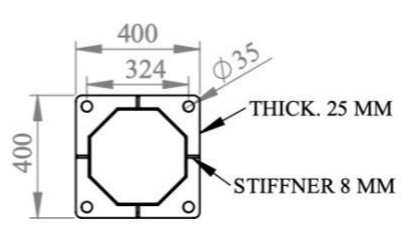
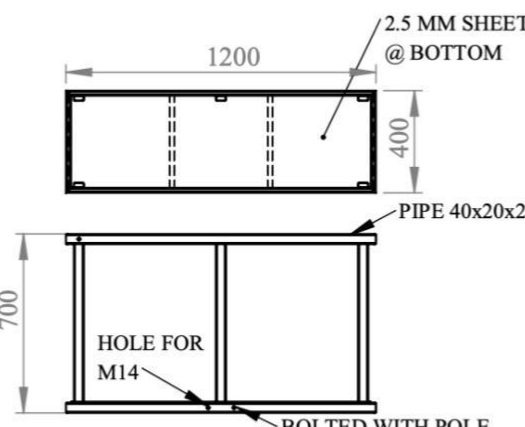
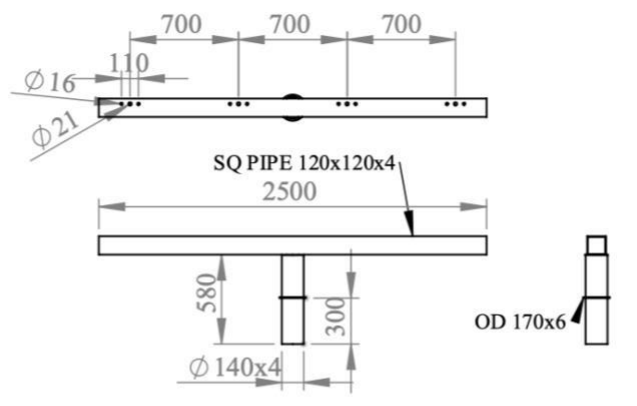
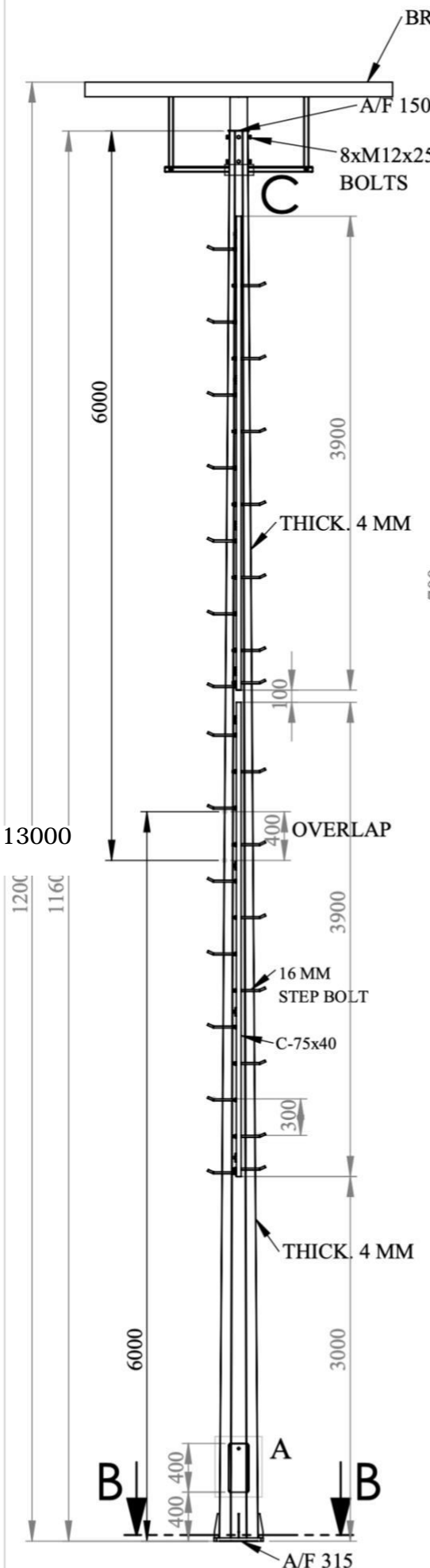
PAD PLAN LAYOUT
SCALE - 1:50



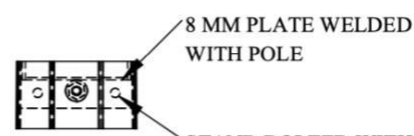
PAD DETAILS
SCALE - 1:20



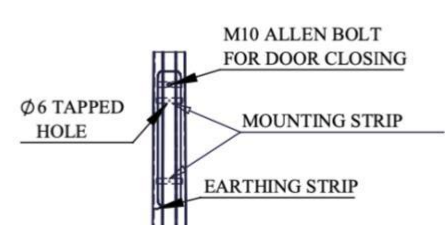
ELEVATION



SECTION B-B



DETAIL C



DETAIL A

- * NOTES :-**
- ALL THE DIMENSIONS ARE IN MM.
 - MATERIALS :**
 - 2.1 POLE SHAFT : MS HR PLATES ,AS PER IS: 2062, GRADE E-250 (EQUIVALENT TO BS EN 10025-S235 / Q235B)
 - 2.2 BASE PLATE : MS HR PLATES ,AS PER IS : 2062
 - 2.3 FOUNDATION BOLT : MS HDGI
 - HOT DIP GALVANIZED TO AS PER IS 4759 / IS 2629 (EQUIVALENT TO BSEN ISO 1461 / ASTM A90 / ASTM 123)
 - CROSS SECTION OF POLE : OCTAGONAL
 - BASIC WIND SPEED : IS 875 PART-3 (1987)
 - POLE WITH OCTAGONAL SECTION WITH SINGLE LONGITUDE WELDING (SAW) (IS 4353)
 - OTHER WELDING AS PER IS 10178
- * TOLERANCE :- (IS:2102)**
- DIAMETER A/F : +/- 4 %
 - MATERIAL TOLERANCE (IS:1852)
 - POLE TOTAL LENGTH : +/- 1.2 %
 - POLE STRAIGHTNESS : +/- 0.3 %
 - +/- 20 MM ON UNSPECIFIED DIMENSIONS

BOM		
SR.NO.	NAME	DESCRIPTION
1	OCTAGONAL POLE	12 METER 2-SECTION
2	ARM	DOUBLE
TECHNICAL DATA SHEET		
1	BOTTOM A/F.	315 MM
2	TOP A/F.	150 MM
3	HEIGHT	12000 MM
4	THICKNESS	4-4 MM
5	BASE PLATE	400X400X25
6	ARM LENGTH	2500 MM
7	ARM PIPE	120X120X4
8	G.I. COATING	70 MICRON AVG.
* TOLERANCE : +/- 5%		