



SME HUB
HDh. Kulhudhuffushi
Drawings
LOT-B

TABLE OF CONTENTS

REMARKS

SME Hub Site

S1 Site plan -boundary walls, gates, lighting, power, DB and Low Voltage (CCTV) and Access Control

Toilet Block

T0 Toilet Block - Existing plan (indicating the demolitions)

T1 Toilet Block - Proposed plan (indicating wall, structural support and ceiling)

T2 Toilet Block- Lighting, Power & DB

T3 Hydraulics and Drainage including Mechanical Ventilations

Food Kiosk (Media Center Building A)

KA-0 Kiosk A Block - Existing plan (indicating the demolitions)

KA-1 Kiosk A Block - Proposed plan (indicating wall, structural support and ceiling)

KA-2 Kiosk A Block- Lighting, Power & DB including CCTV

KA-3 Kiosk A Block- Fire Indicative Drawing

KA-4 Hydraulics and Drainage including Mechanical Ventilations

KA-5 Fixed Furniture and Kiosk cupboard details

Food Kiosk & Changing Room (Media Center Building B)

KB-0 Kiosk B Block - Existing plan (indicating the demolitions)

KB-1 Kiosk B Block - Proposed plan with Changing Room (indicating wall, structural support and ceiling)

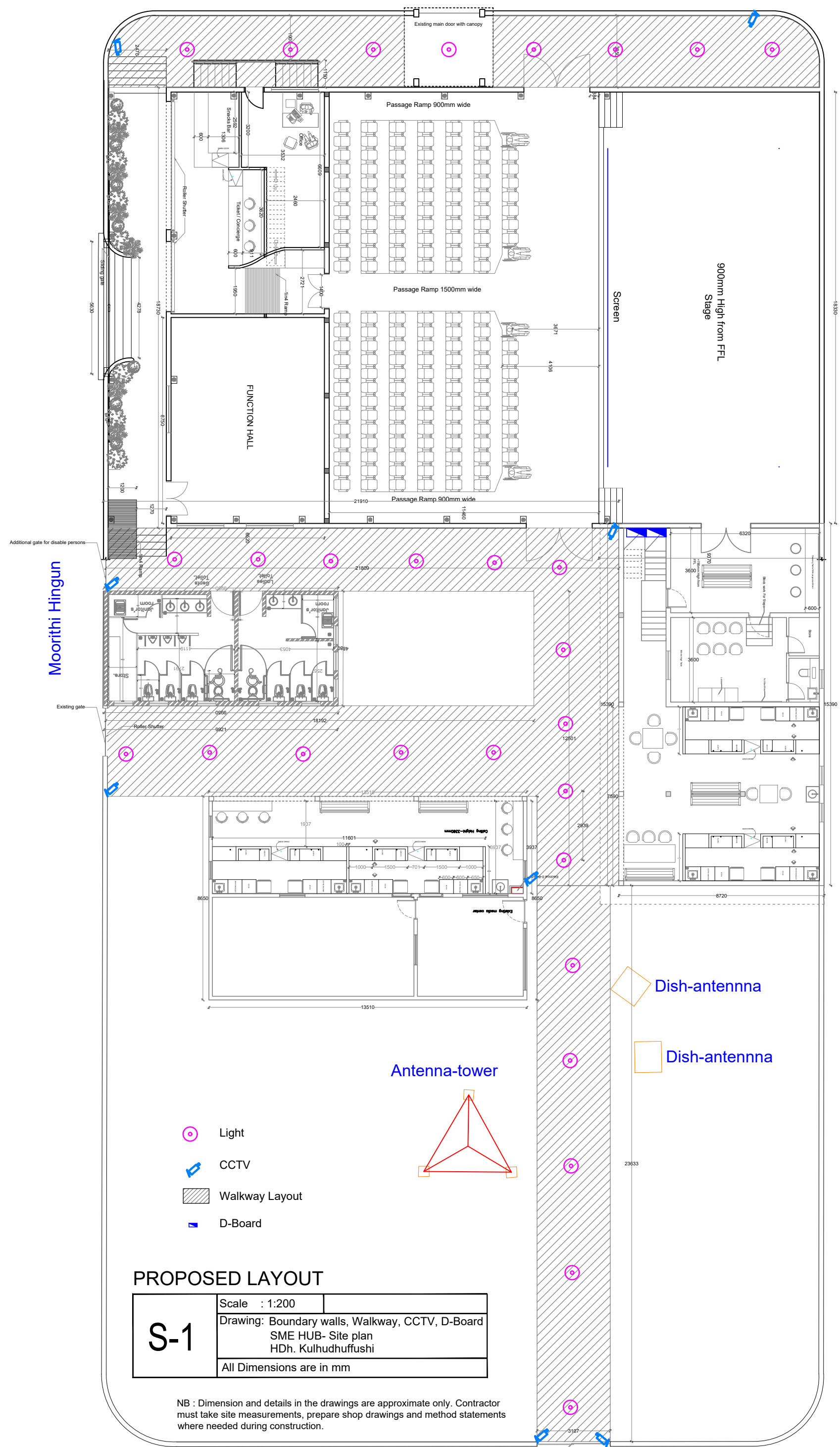
KB-2 Kiosk B Block- Lighting, Power & DB including CCTV

KB-3 Kiosk B Block- Fire Indicative Drawing

KB-4 Hydraulics and Drainage including Mechanical Ventilations

KB-5 Fixed Furniture and Kiosk cupboard details

Dhon Umar Kaleyfaanu magu



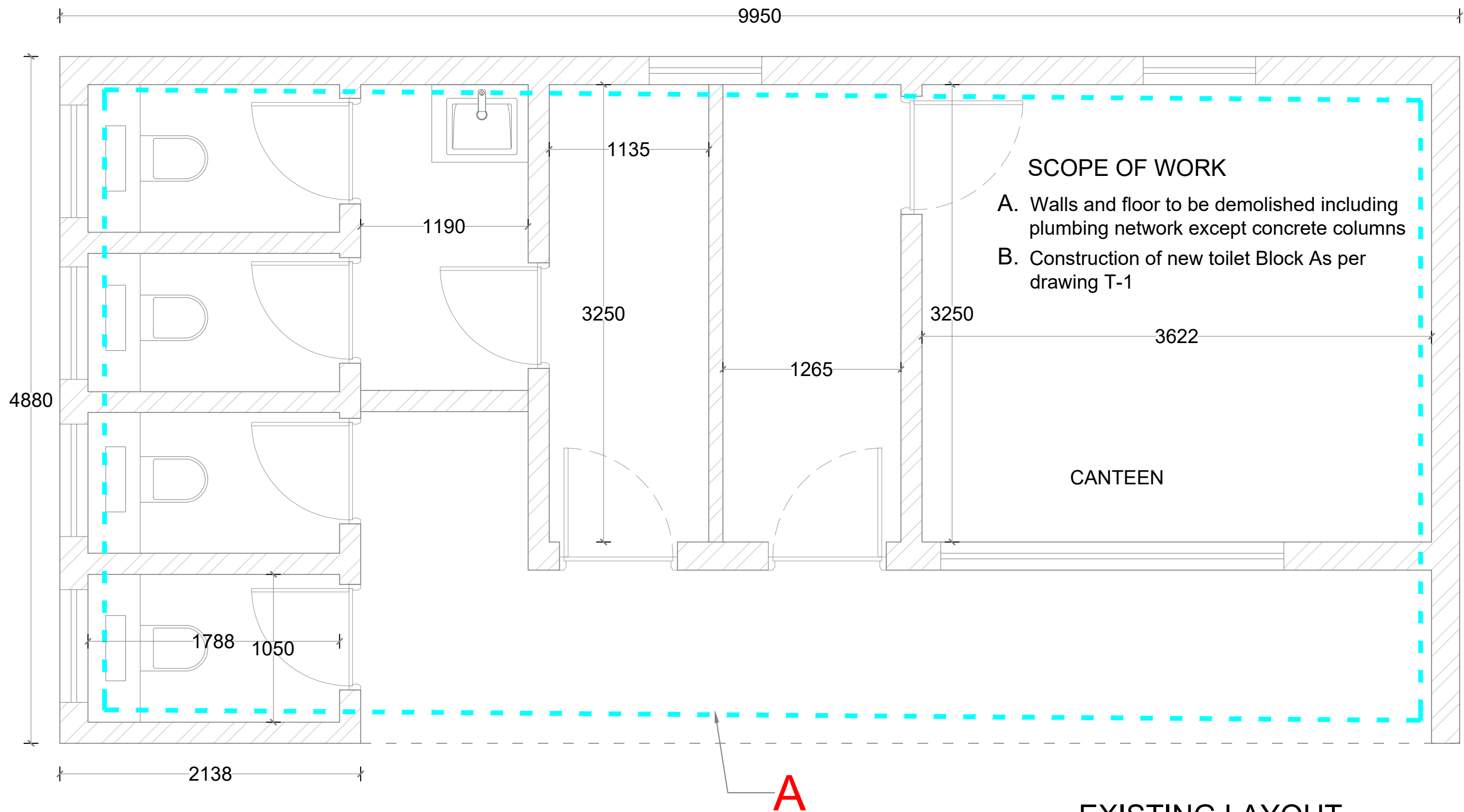
PROPOSED LAYOUT

S-1	Scale : 1:200
	Drawing: Boundary walls, Walkway, CCTV, D-Board SME HUB- Site plan HDh. Kulhudhuffushi
	All Dimensions are in mm

- Light
- CCTV
- Walkway Layout
- D-Board

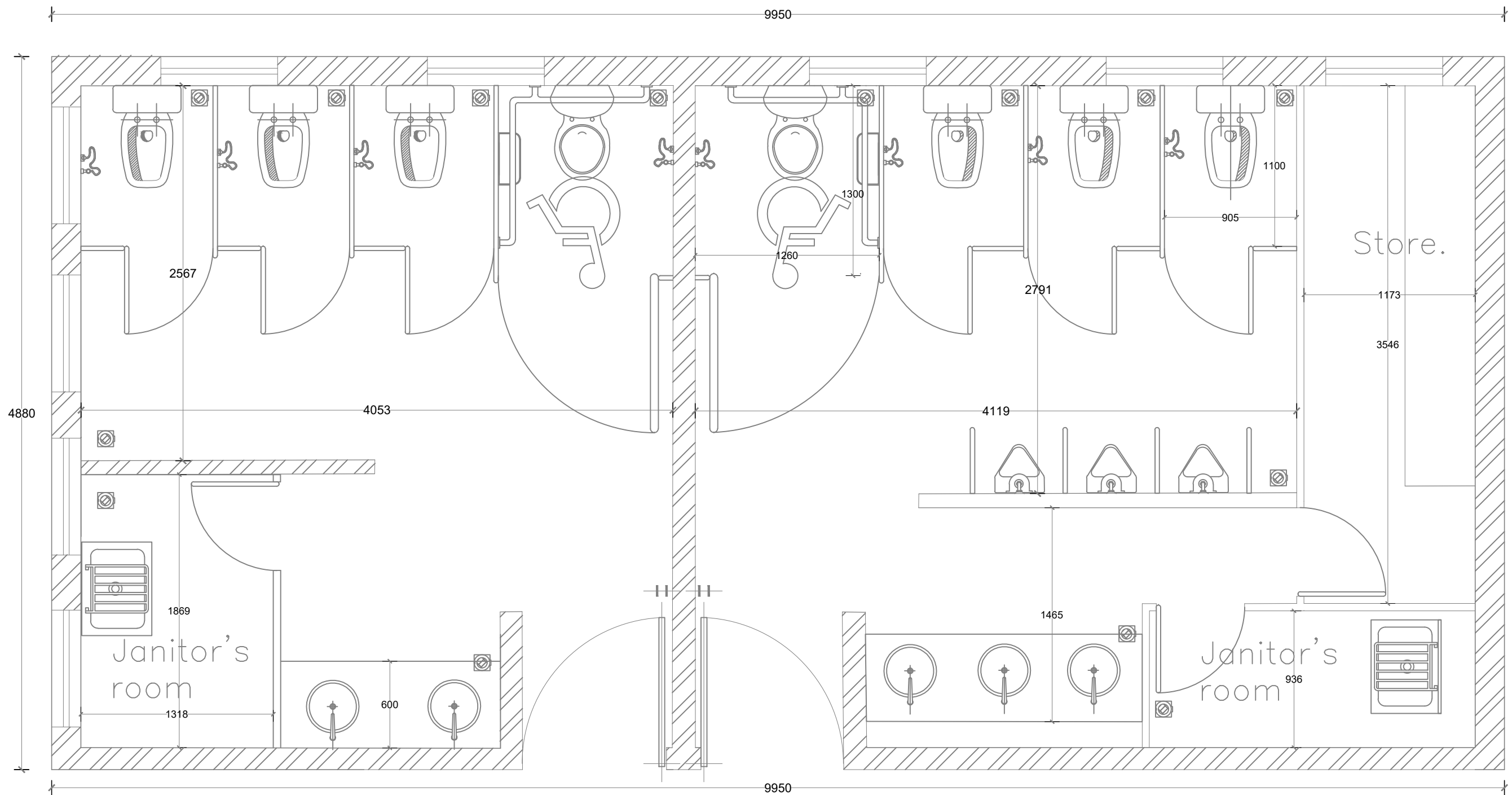
NB : Dimension and details in the drawings are approximate only. Contractor must take site measurements, prepare shop drawings and method statements where needed during construction.

Handuvaree Magu



EXISTING LAYOUT

T-0	Scale : 1:40
	Drawing: As Built Canteen and Toilet block SME HUB HDh. Kulhudhuffushi
	All Dimensions are in mm



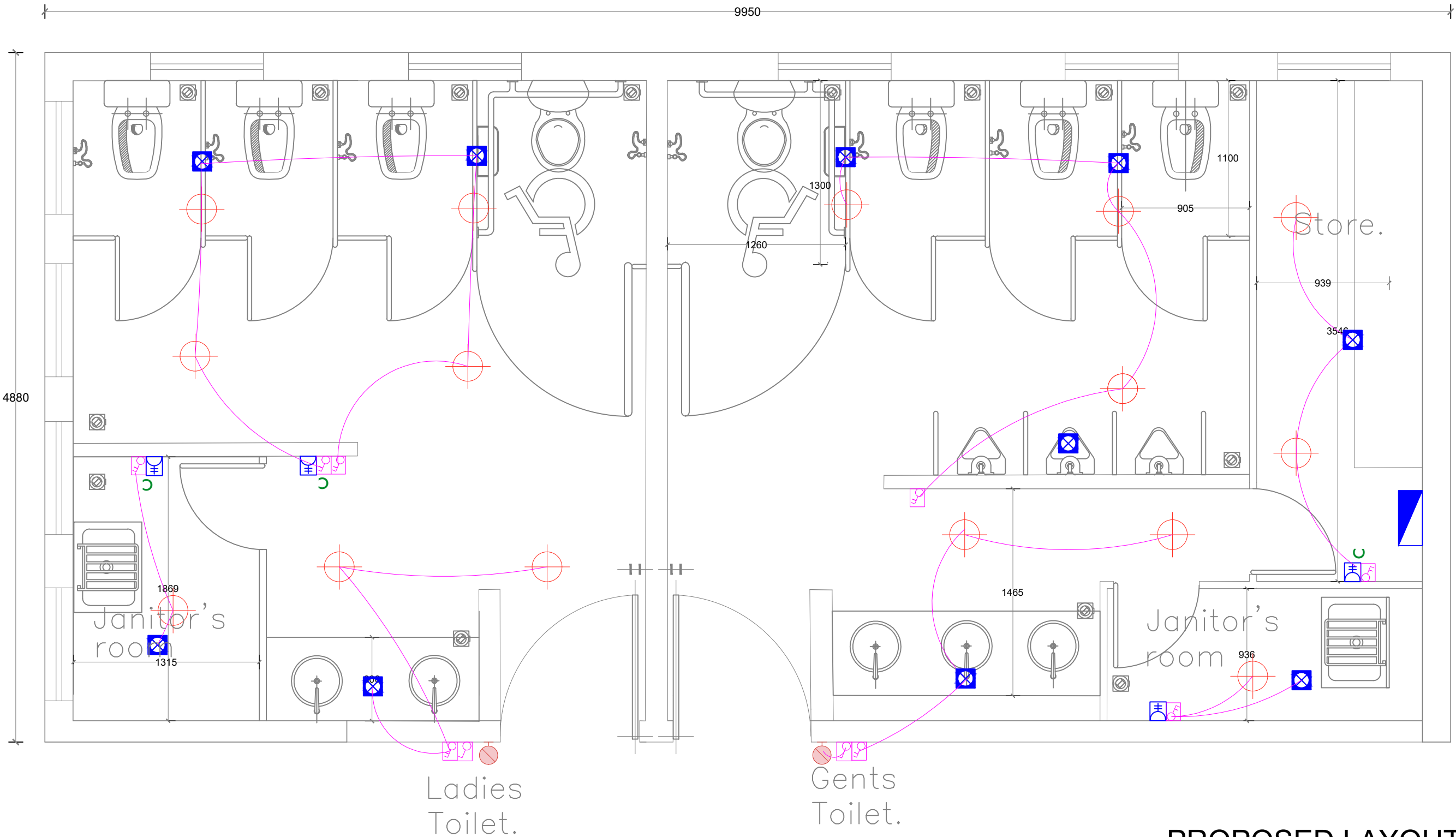
Ladies
Toilet.

Gents
Toilet.

PROPOSED LAYOUT

NB : Dimension and details in the drawings are approximate only. Contractor must take site measurements, prepare shop drawings and method statements where needed during construction.

T-1	Scale : 1:50
	Drawing: Toilet block SME HUB HDh. Kulhudhuffushi
	All Dimensions are in mm



LEGEND :

	13Amp POWER POINT SINGLE (WEATHERPROOF)
	13Amp POWER POINT DOUBLE (WEATHERPROOF)
	EXHAUST FAN
	DISTRIBUTION BOARD
	WALL LIGHT
	1 GANG 1 WAY SWITCH (SINGLE)
	2 GANG 1 WAY SWITCH (DOUBLE)
	CEILING DOWN LIGHT (Recessed)

HEIGHT OF THE FIXTURES From FFL to (mm)

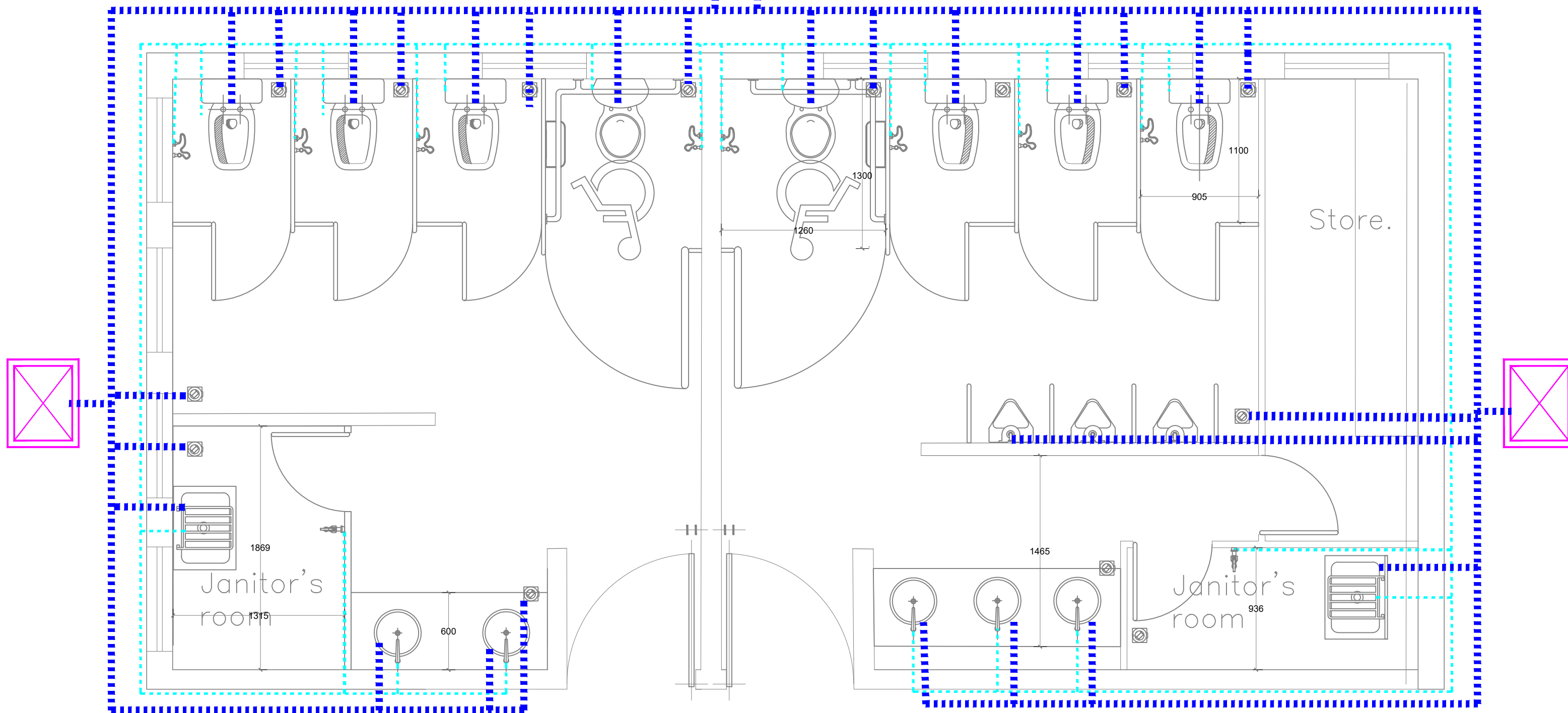
A	450
B	650
C	1200
D	1385
E	1500
F	2300
G	900
H	1400
I	1800
J	2200
K	SLAB SOFFIT

Notes: Allocate separate DB for toilet Block

PROPOSED LAYOUT

T-2	Scale : 1:40
	Drawing: Toilet block - Electrical network SME HUB HDh. Kulhudhuffushi
	All Dimensions are in mm

Inspection Chamber

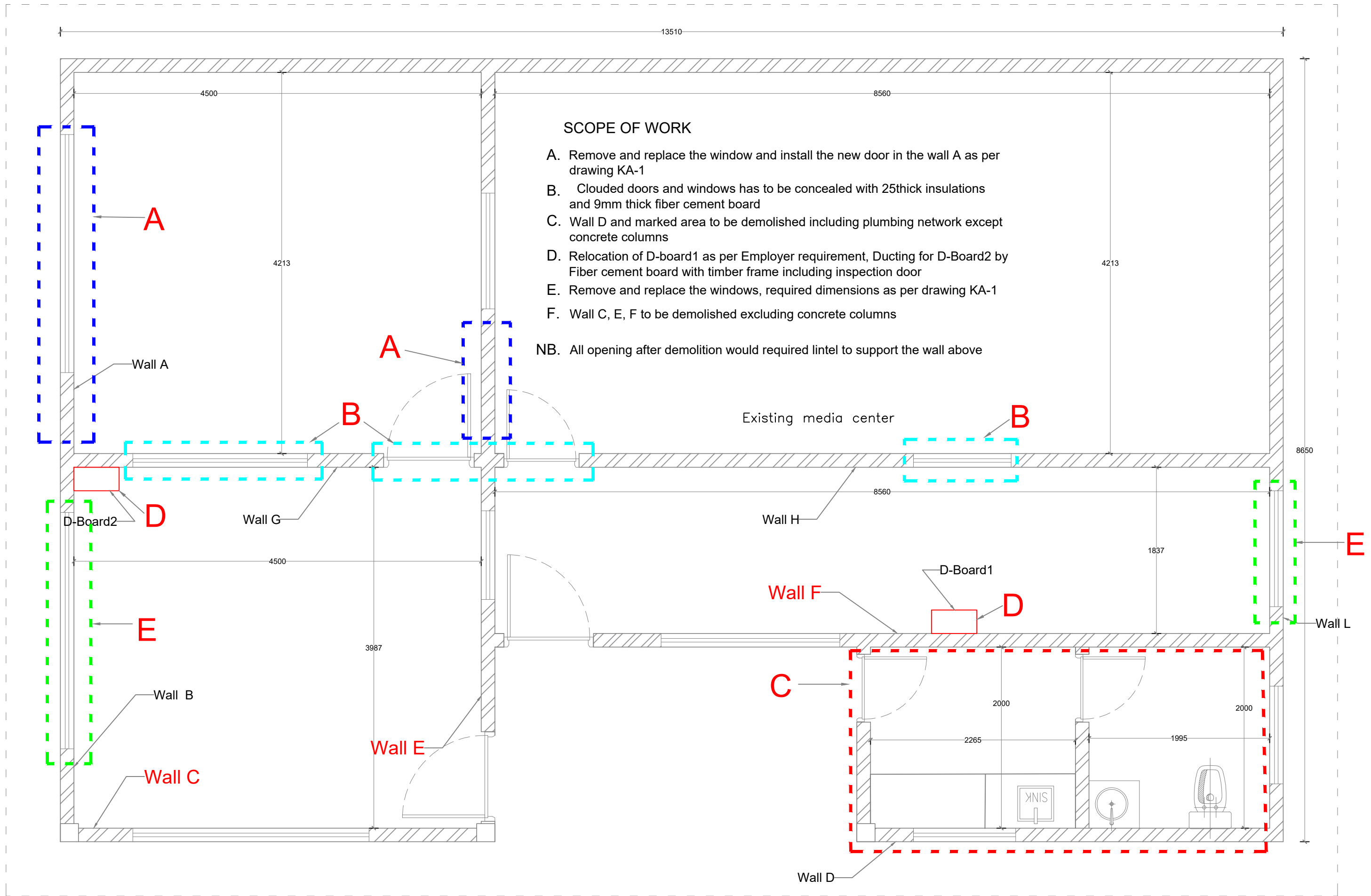


- - - - - Drain Line
- - - - - Fresh water Line
- Floor Drain

Notes: Inspection chamber and network points may vary based on the site condition

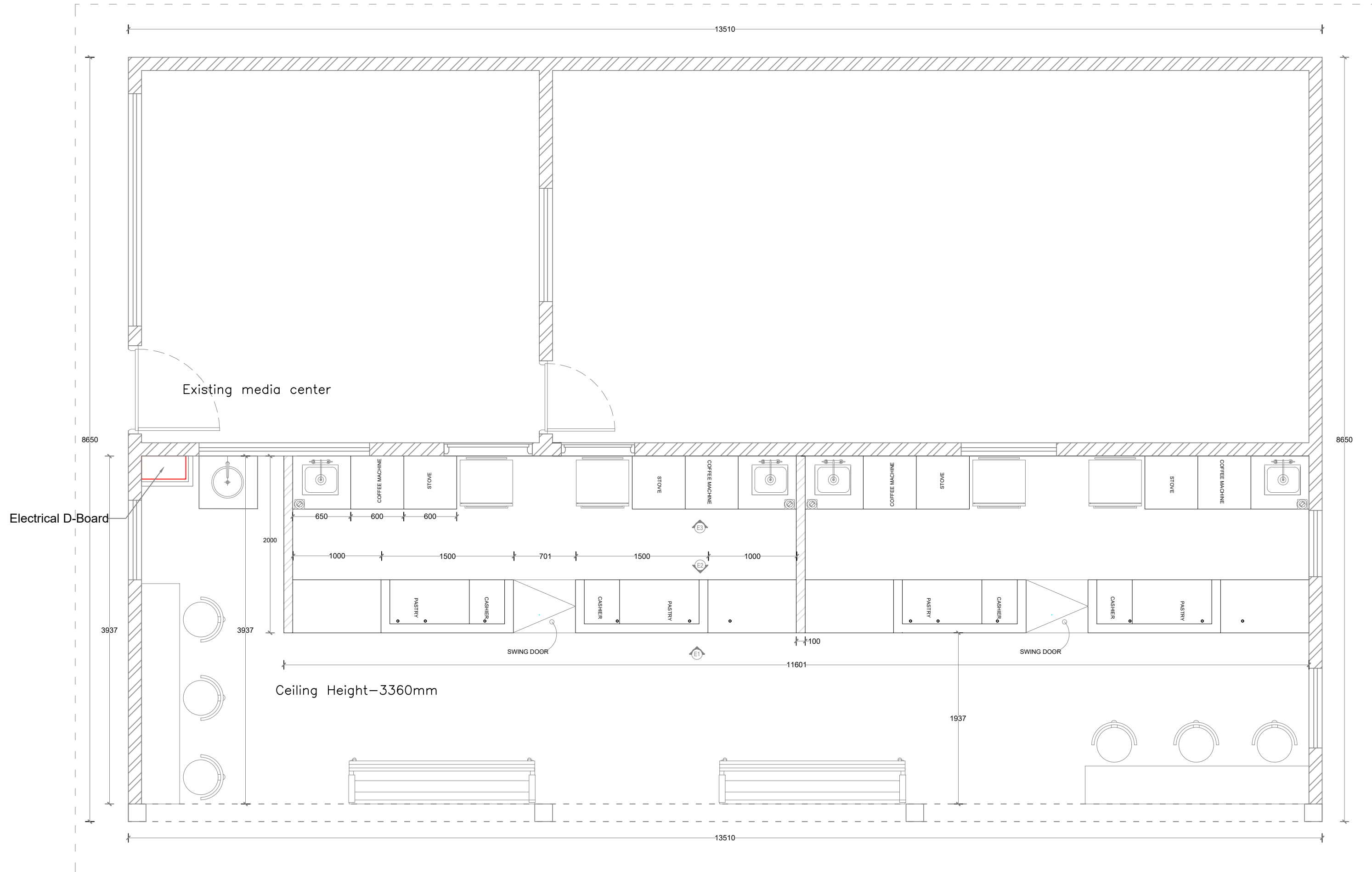
PROPOSED LAYOUT

T-3	Scale : 1:40
	Drawing: Toilet block - Plumbing network SME HUB HDh. Kulhudhuffushi
	All Dimensions are in mm



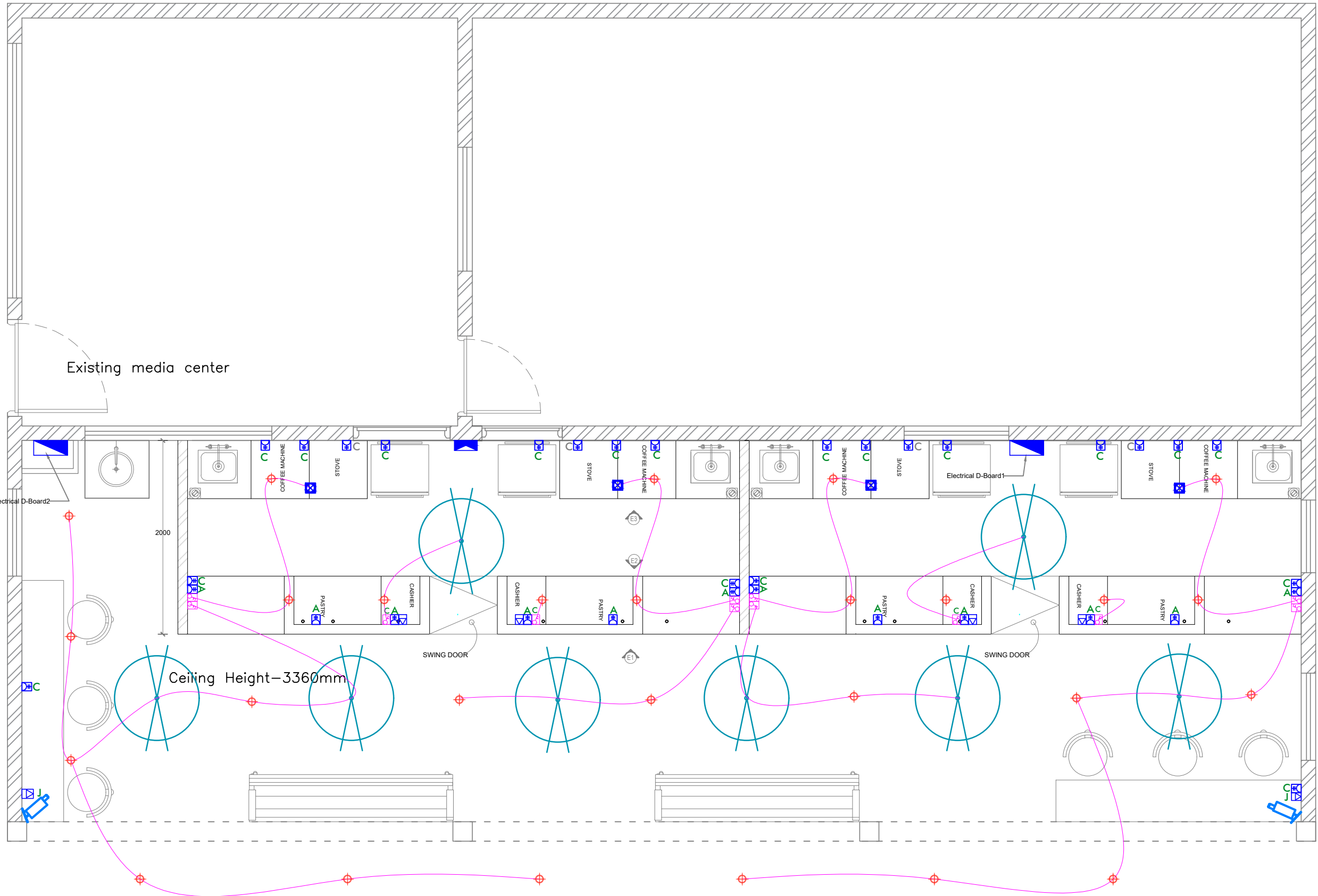
NB : Dimension and details in the drawings are approximate only. Contractor must take site measurements, prepare shop drawings and method statements where needed during construction.

KA-0	Scale : 1:50
	Drawing: As Built Media Center Building SME HUB HDh. Kulhudhuffushi
	All Dimensions are in mm



NB : Dimension and details in the drawings are approximate only. Contractor must take site measurements, prepare shop drawings and method statements where needed during construction.

KA-1	Scale : 1:40
	Drawing: FOOD KIOSK SME HUB HDh. Kulhudhuffushi
	MEDIA CENTER BUILDING
	All Dimensions are in mm



LEGEND :

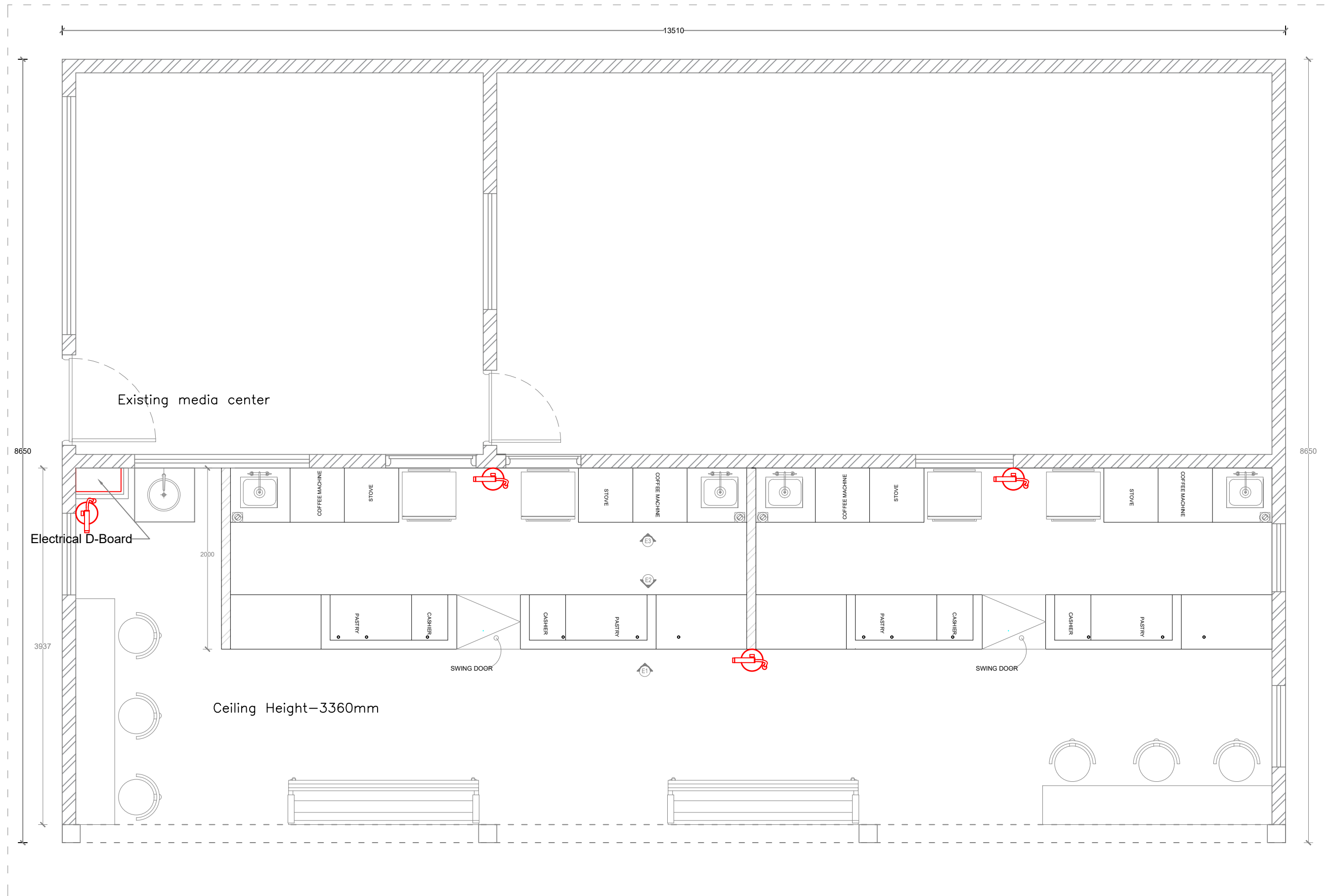
	13Amp POWER POINT (SINGLE)
	13Amp POWER POINT (DOUBLE)
	13Amp POWER POINT (TWIN) WITH USB CONNECTION
	15Amp POWER POINT (SINGLE)
	TV POINT
	TELEPHONE POINT
	INTERCOM
	DATA POINT (CAT 5e UTP)
	13Amp POWER POINT SINGLE (WEATHERPROOF)
	13Amp POWER POINT DOUBLE (WEATHERPROOF)
	16Amp POWER POINT SINGLE (UNIVERSAL WEATHERPROOF)
	16Amp POWER POINT SINGLE (UNIVERSAL)
	EXHAUST FAN
	DATA DISTRIBUTION BOARD
	DISTRIBUTION BOARD
	WALL LIGHT
	TUBE LIGHT
	CEILING RECESSED LIGHT
	2X18W PLC WALL LIGHT (P165)
	LED STRIP LIGHT
	CEILING FAN
	NIGHT LAMP/SENSOR LIGHT
	PENDENT LIGHT
	1 GANG 1 WAY SWITCH (SINGLE)
	2 GANG 1 WAY SWITCH (DOUBLE)
	1 GANG 2 WAY SWITCH (SINGLE)
	HEATER CONTROL DP SWITCH

HEIGHT OF THE FIXTURES From FFL to (mm)

A	450
B	650
C	1200
D	1385
E	1500
F	2300
G	900
H	1400
I	1800
J	2200
K	3500

ELECTRICAL, AC, CCTV LAYOUT
SCALE 1:50

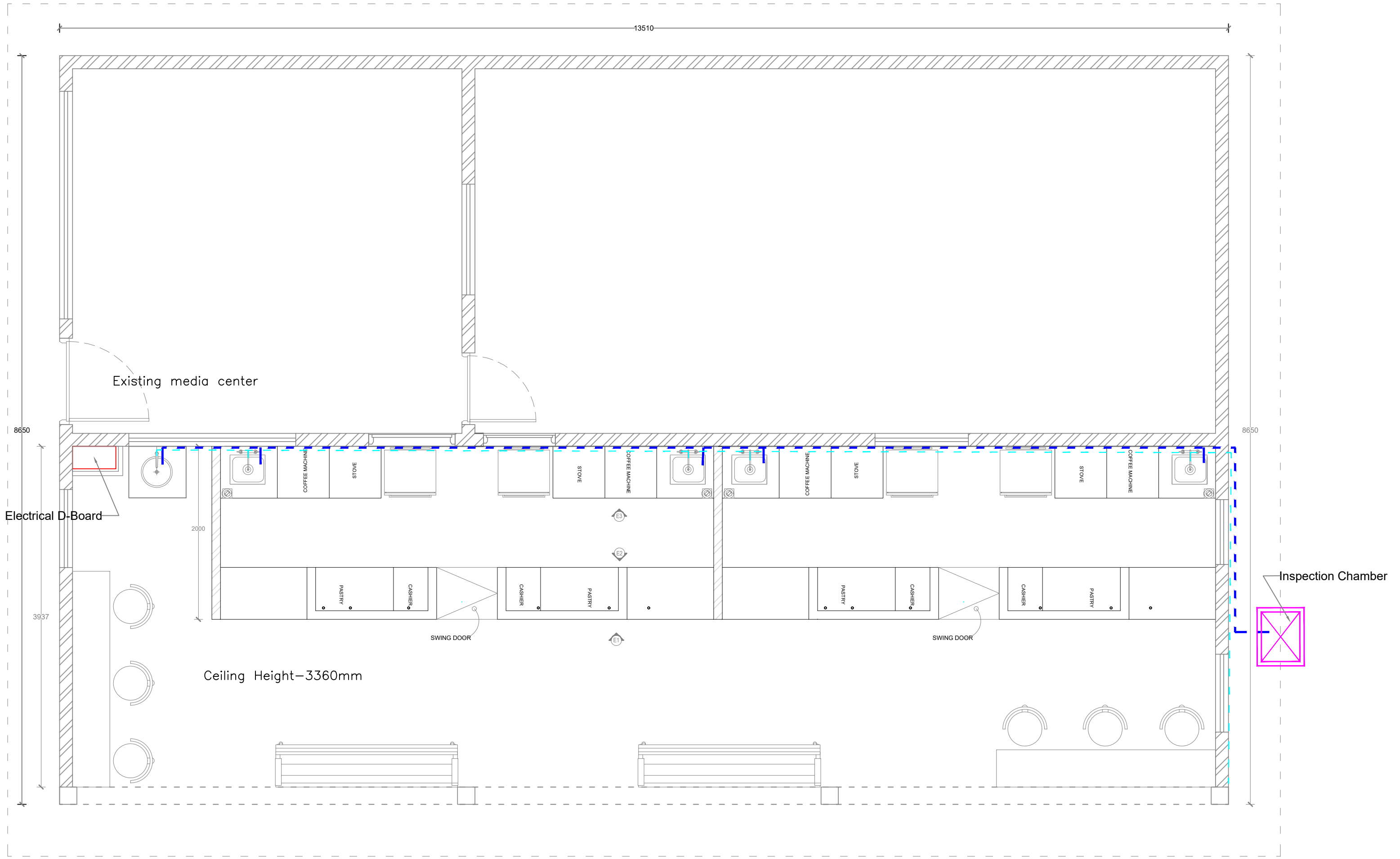
KA-2	Scale : 1:50
	Drawing: KIOSK A BLOCK- Electrical, Data, CCTV SME HUB HDh. Kulhudhuffushi
	MEDIA CENTER BUILDING - Block A
	All Dimensions are in mm



 - Fire Extinguisher

NB : Dimension and details in the drawings are approximate only. Contractor must take site measurements, prepare shop drawings and method statements where needed during construction.

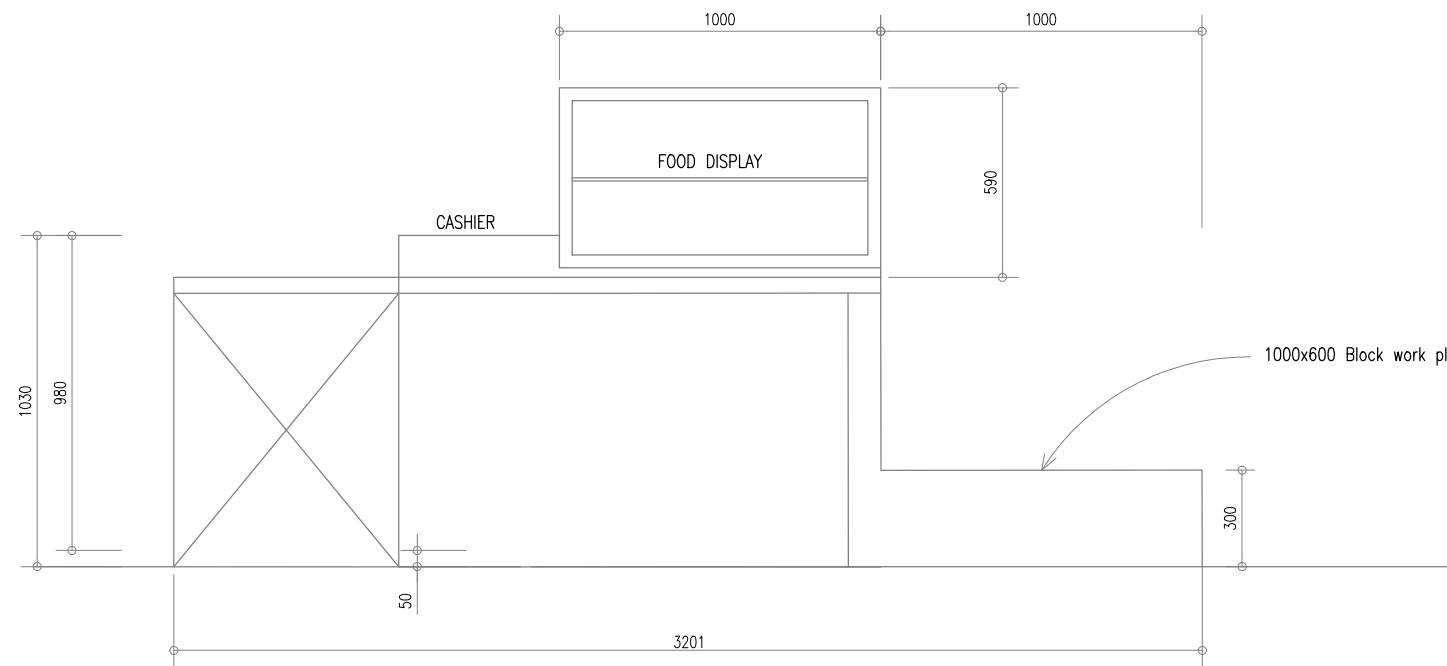
KA-3	Scale : 1:40
	Drawing: Fire Indigative SME HUB HDh. Kulhudhuffushi
	MEDIA CENTER BUILDING
	All Dimensions are in mm



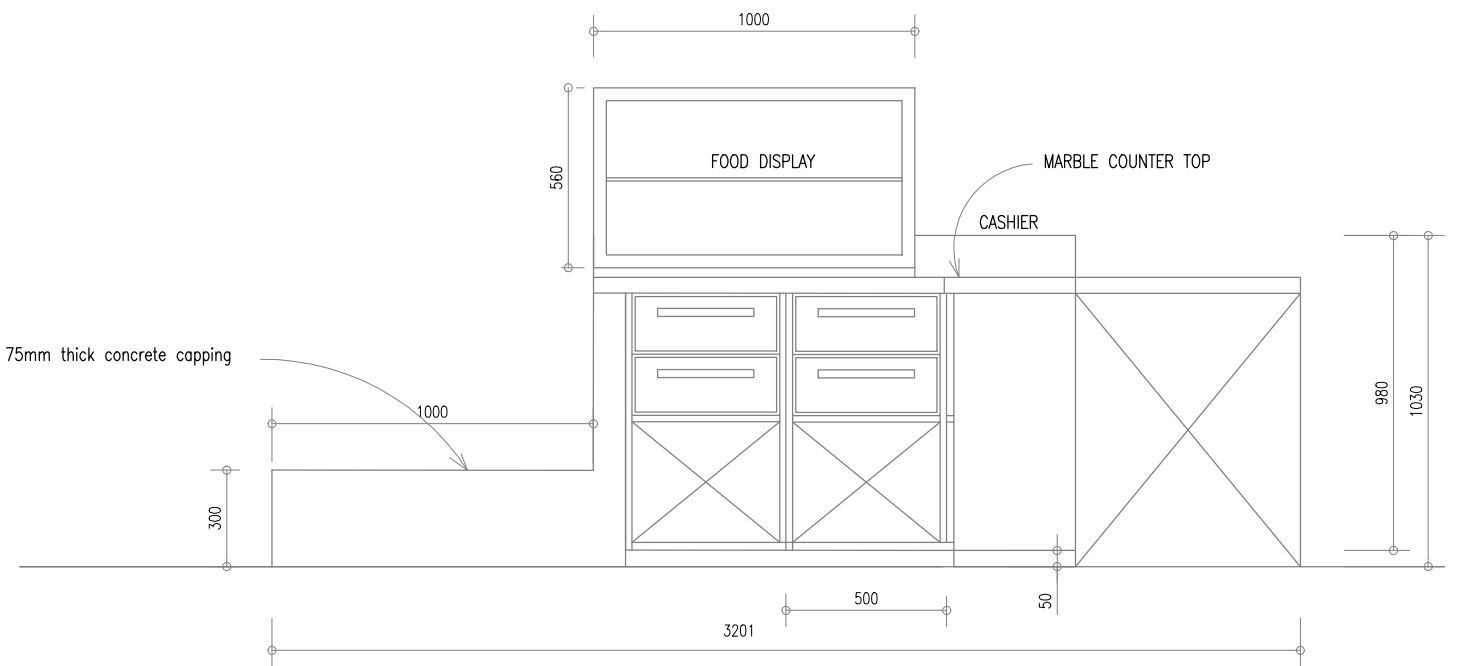
- █ Block water
- ▬ Gray water
- ▬ Fresh water Line
- ⊗ Floor Drain

Notes: Inspection chamber and network points may vary based on the site condition

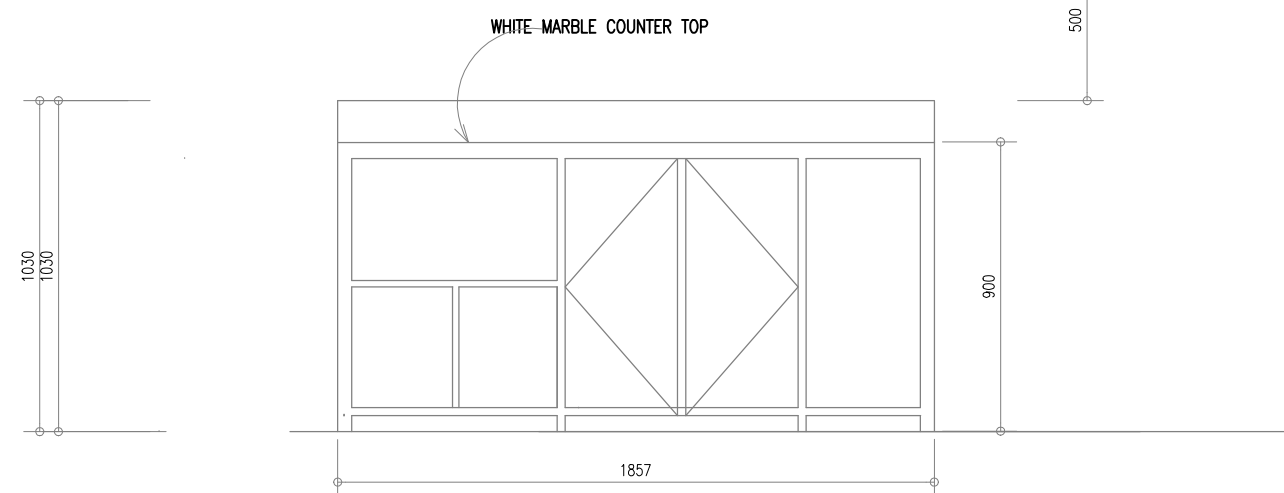
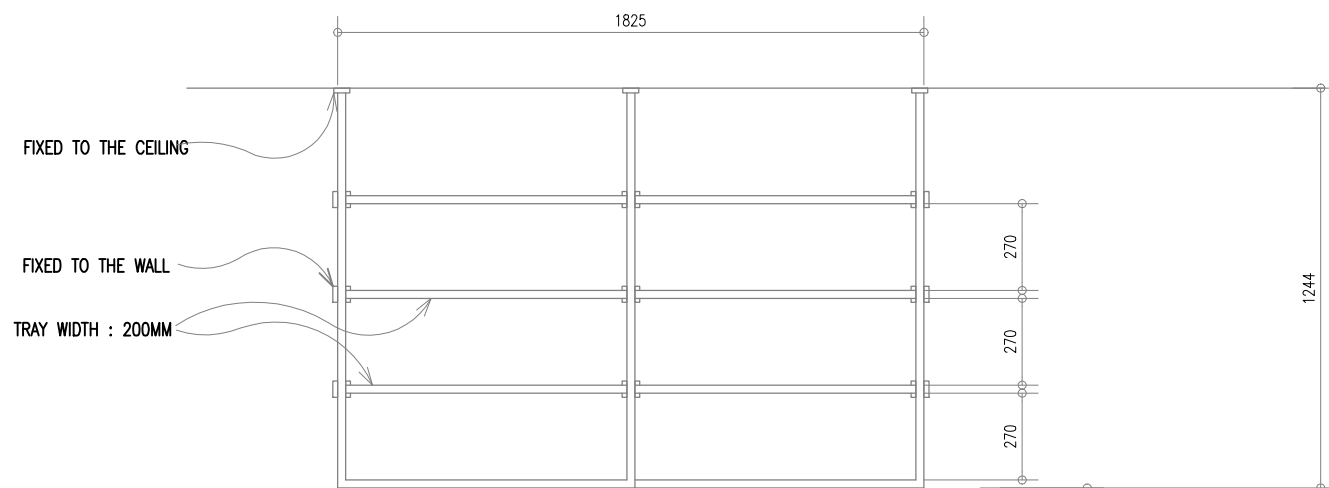
KA-4	Scale : 1:40
	Drawing: Hydraulics and Drainage SME HUB HDh. Kulhudhuffushi
	MEDIA CENTER BUILDING
	All Dimensions are in mm



ELEVATION - E1



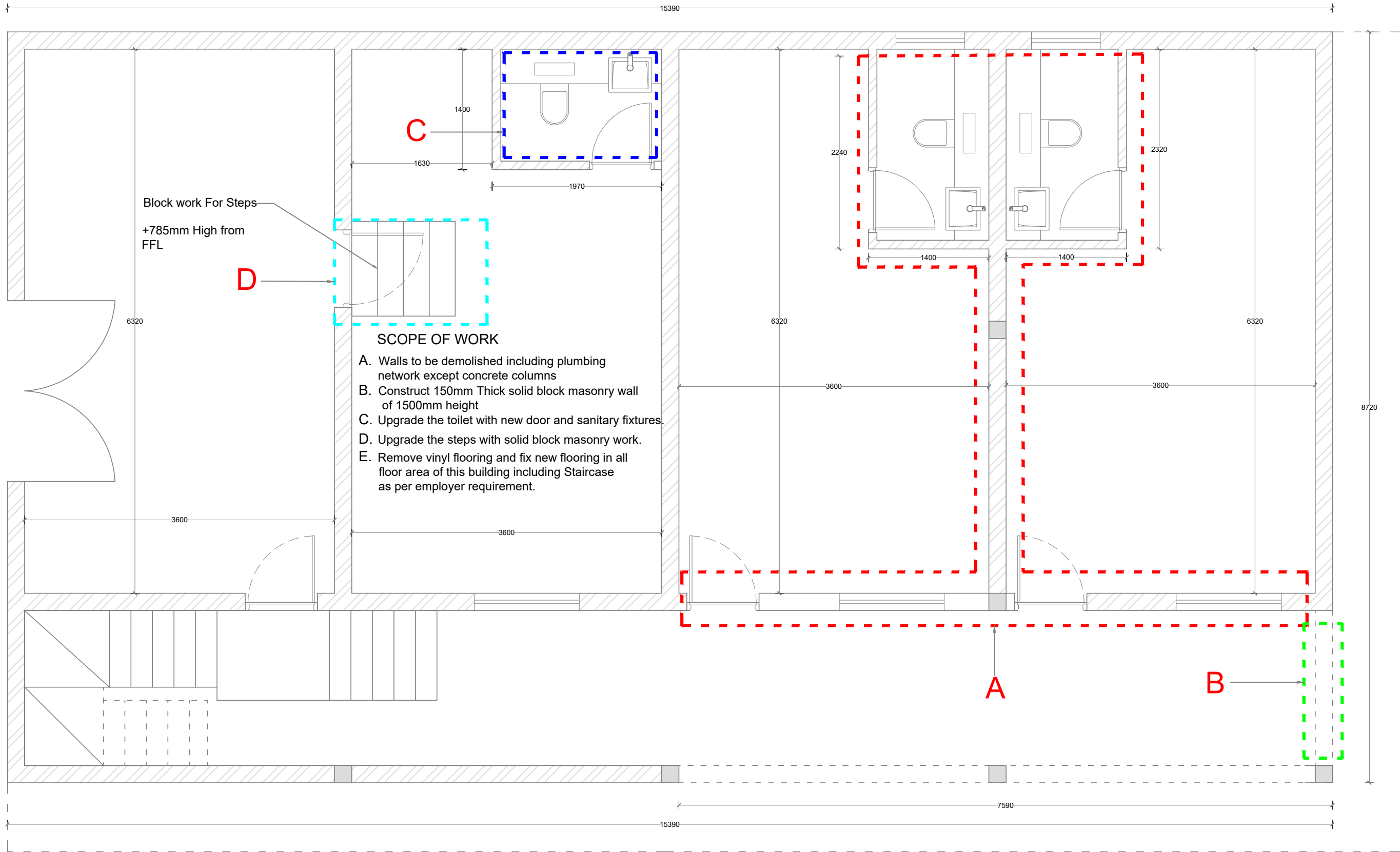
ELEVATION - E2



ELEVATION - E3

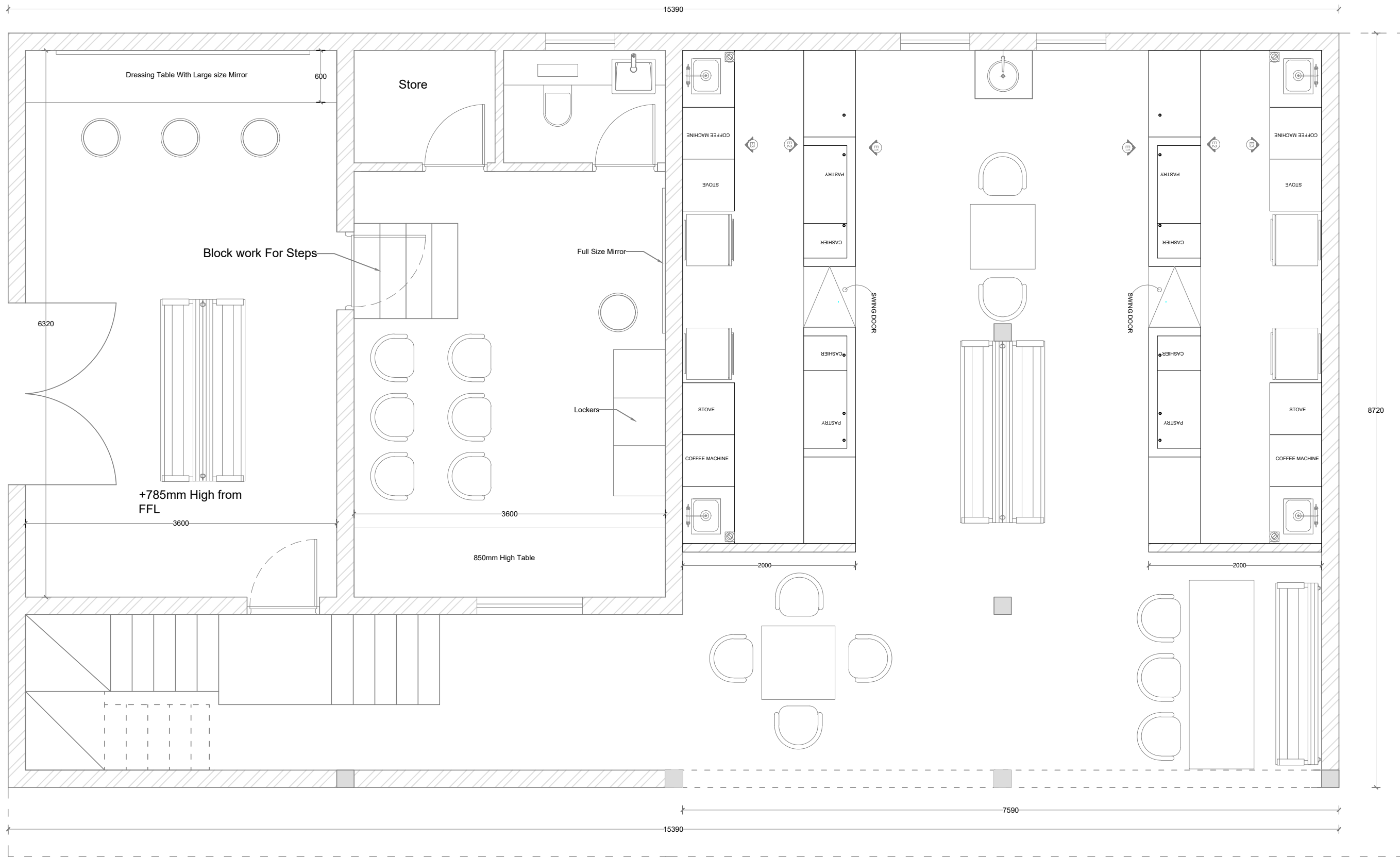
FIXED FURNITURE FOR KIOSKS

KA-5	Scale : 1:25
	Drawing: Cup Board Details of KIOSK SME HUB for Both A Block and B Block HDh. Kulhudhuffushi
	All Dimensions are in mm



NB : Dimension and details in the drawings are approximate only. Contractor must take site measurements, prepare shop drawings and method statements where needed during construction.

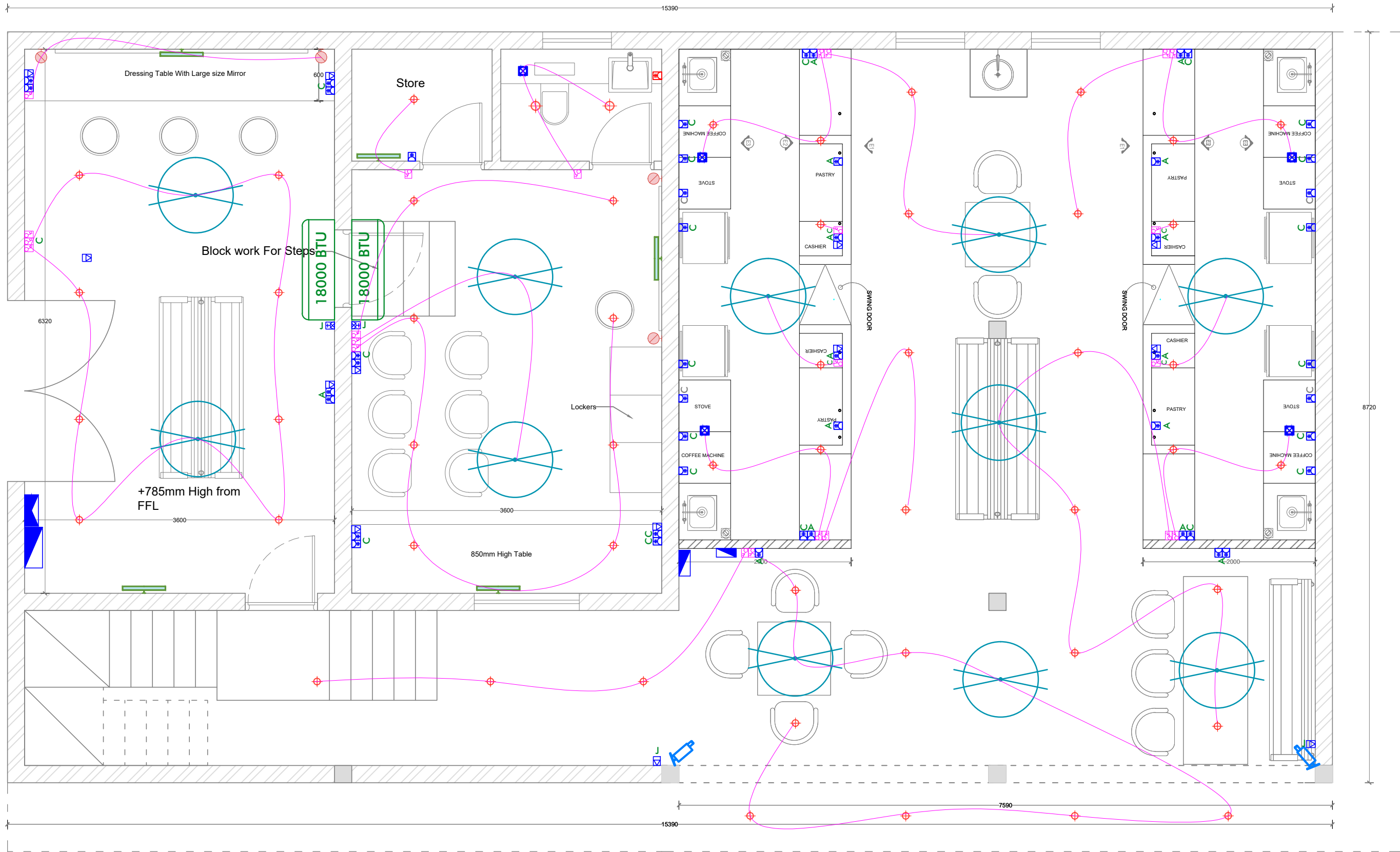
KB-0	Scale : 1:50
	Drawing: As Built of Two storey Building -Ground Floor SME HUB HDh. Kulhudhuffushi
	All Dimensions are in mm



NB : Dimension and details in the drawings are approximate only. Contractor must take site measurements, prepare shop drawings and method statements where needed during construction.

PROPOSED LAYOUT

KB-1	Scale : 1:50
	Drawing: Two Storey Building - Ground Floor SME HUB - B Block HDh. Kulhudhuffushi
	All Dimensions are in mm



LEGEND :

	13Amp POWER POINT (SINGLE)
	13Amp POWER POINT (DOUBLE)
	13Amp POWER POINT (TWIN) WITH USB CONNECTION
	15Amp POWER POINT (SINGLE)
	TV POINT
	TELEPHONE POINT
	INTERCOM
	DATA POINT (CAT 5e UTP)
	13Amp POWER POINT SINGLE (WEATHERPROOF)
	13Amp POWER POINT DOUBLE (WEATHERPROOF)
	16Amp POWER POINT SINGLE (UNIVERSAL WEATHERPROOF)
	16Amp POWER POINT SINGLE (UNIVERSAL)
	EXHAUST FAN
	DATA DISTRIBUTION BOARD
	DISTRIBUTION BOARD
	WALL LIGHT
	TUBE LIGHT
	CEILING RECESSED LIGHT
	2X18W PLC WALL LIGHT (IP165)
	LED STRIP LIGHT
	CEILING FAN
	NIGHT LAMP/SENSOR LIGHT
	PENDENT LIGHT

	1 GANG 1 WAY SWITCH (SINGLE)
	2 GANG 1 WAY SWITCH (DOUBLE)
	1 GANG 2 WAY SWITCH (SINGLE)
	HEATER CONTROL DP SWITCH

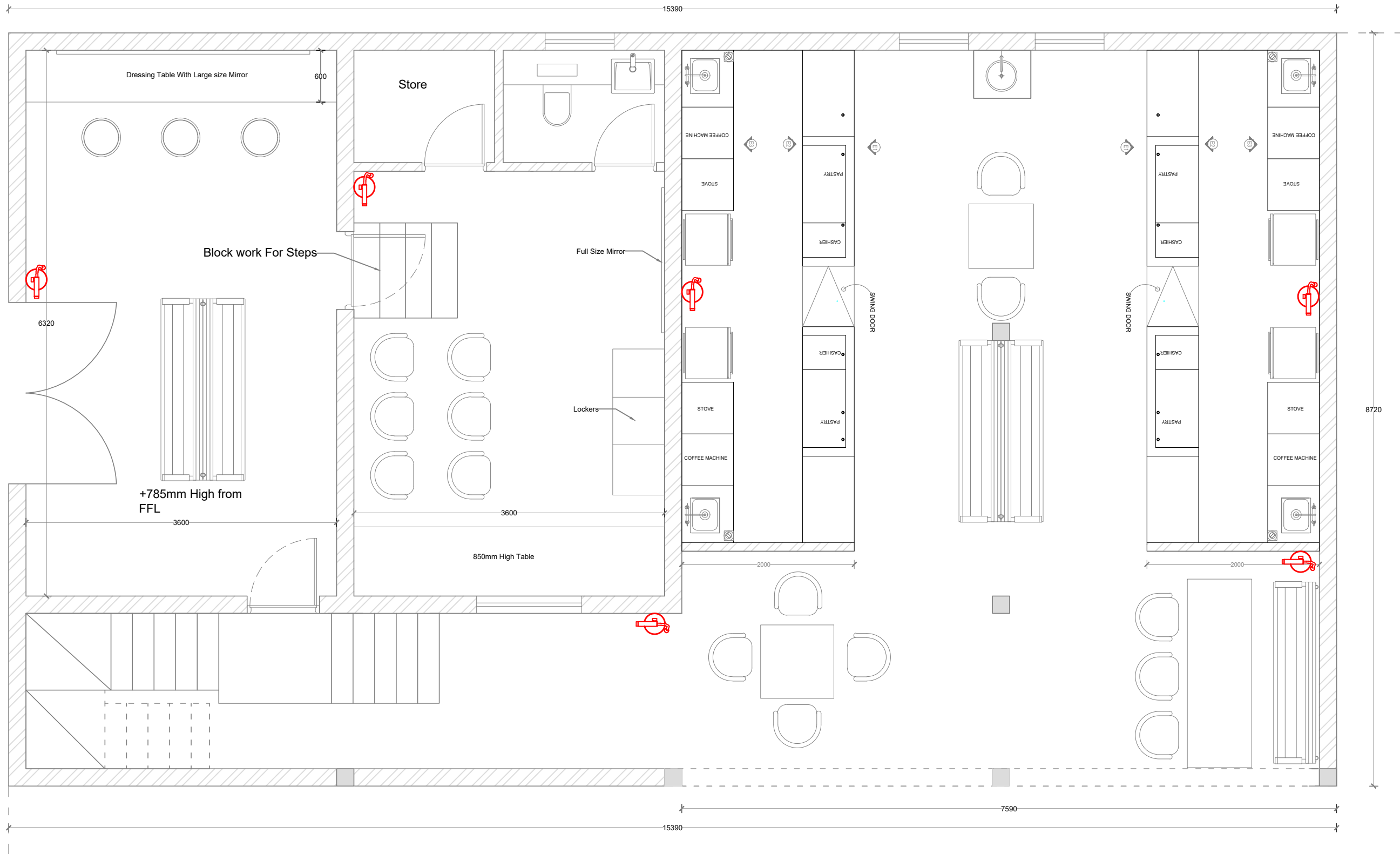
HEIGHT OF THE FIXTURES From FFL to (mm)

A	450
B	650
C	1200
D	1385
E	1500
F	2300
G	900
H	1400
I	1800
J	2200
K	3500

NB : Dimension and details in the drawings are approximate only. Contractor must take site measurements, prepare shop drawings and method statements where needed during construction.

PROPOSED SERVICES

KB-2	Scale : 1:50
	Drawing: Two Storey Building - Ground Floor SME HUB - B Block HDh. Kulhudhuffushi
	All Dimensions are in mm

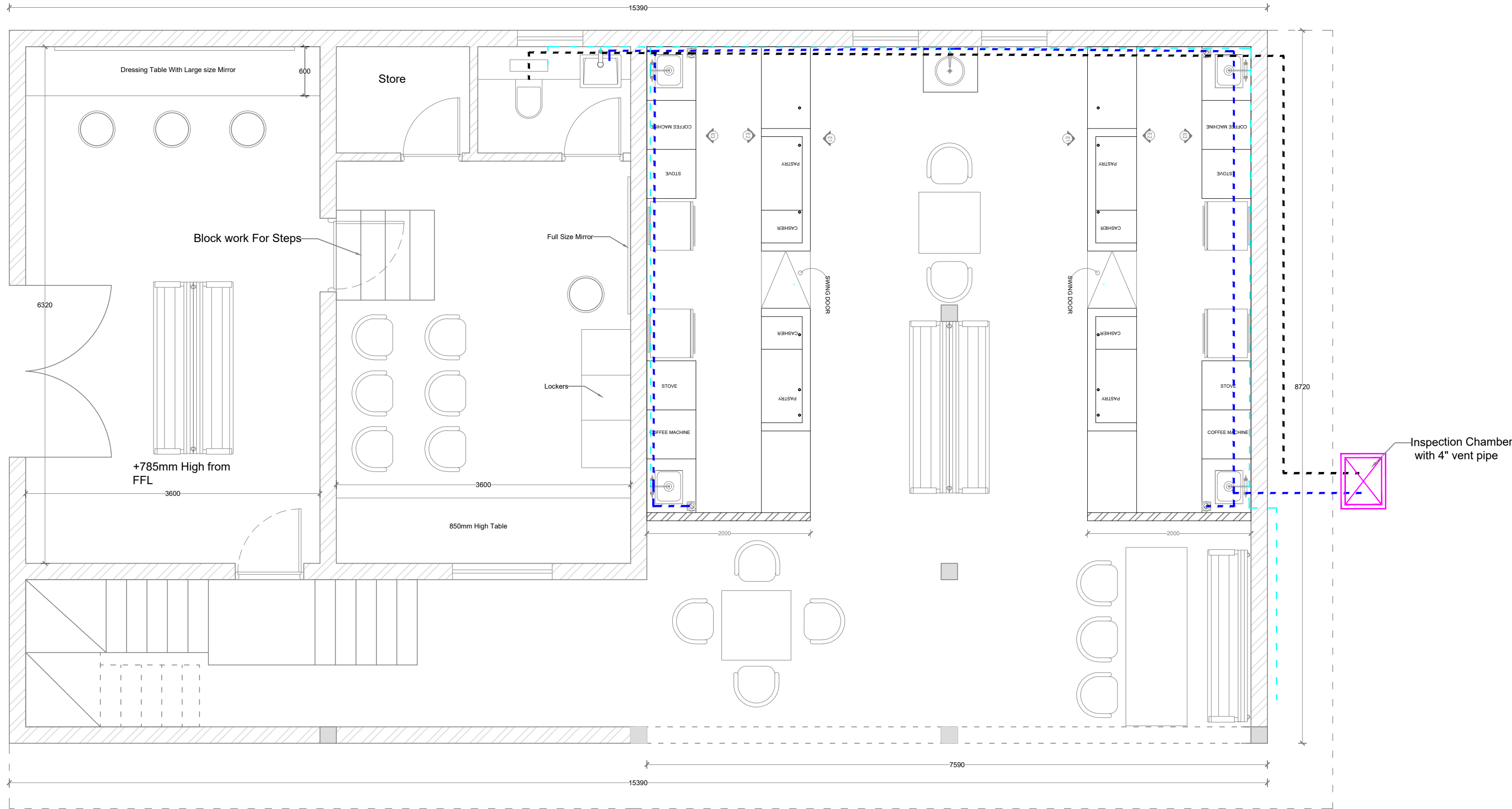


 - Fire Extinguisher

NB : Dimension and details in the drawings are approximate only. Contractor must take site measurements, prepare shop drawings and method statements where needed during construction.

PROPOSED LAYOUT

KB-3	Scale : 1:50
	Drawing: Fire Indicative SME HUB - B Block HDh. Kulhudhuffushi
	All Dimensions are in mm

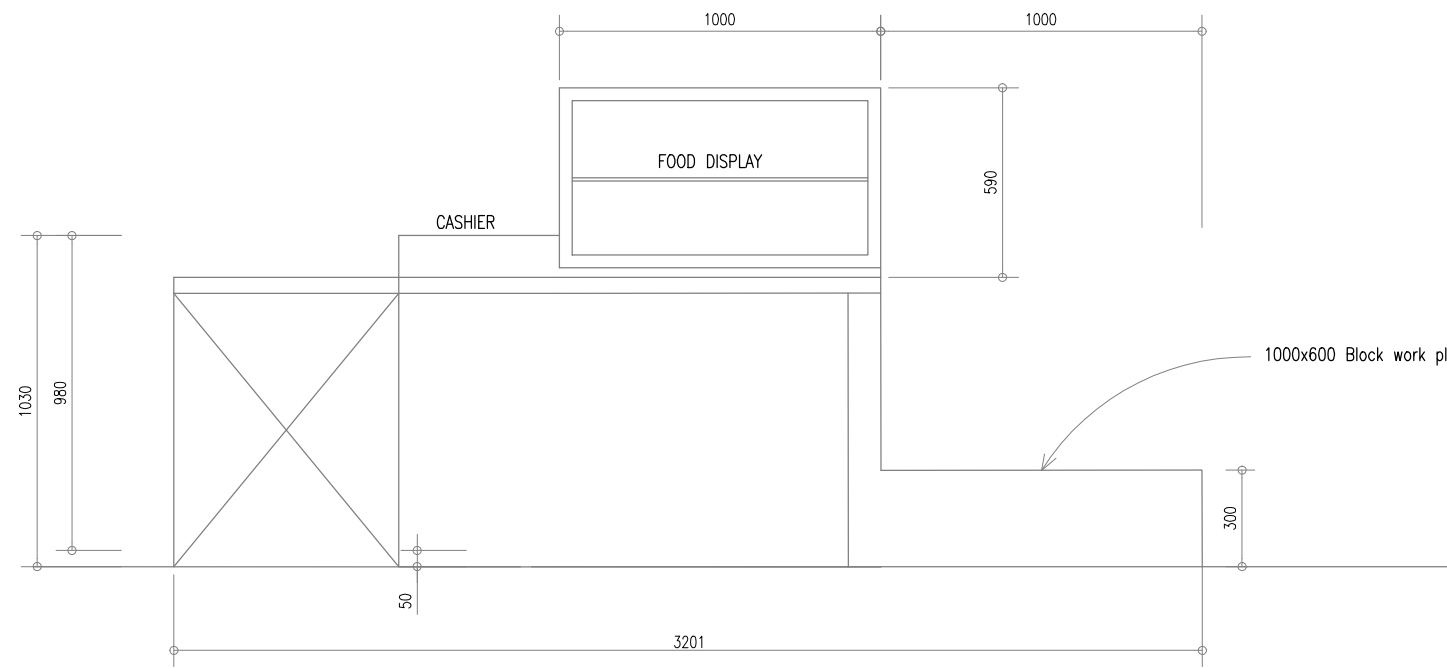


- Block water
- Gray water
- Fresh water Line
- ⊗ Floor Drain

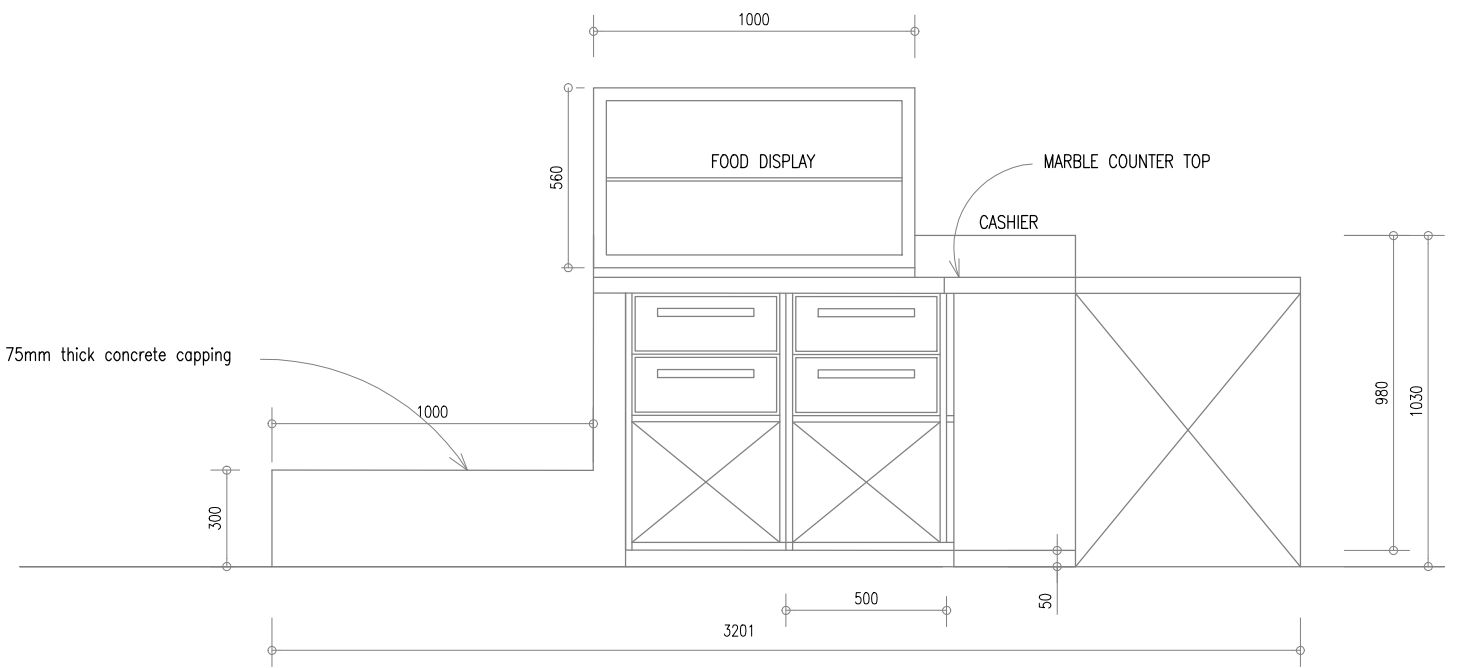
Notes: Inspection chamber and network points may vary based on the site condition

PROPOSED LAYOUT

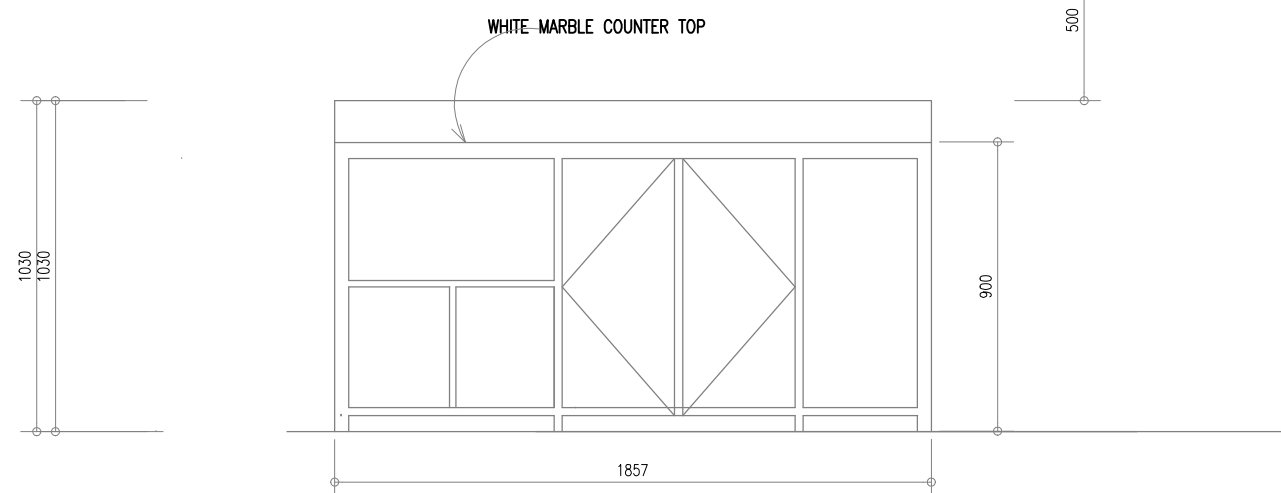
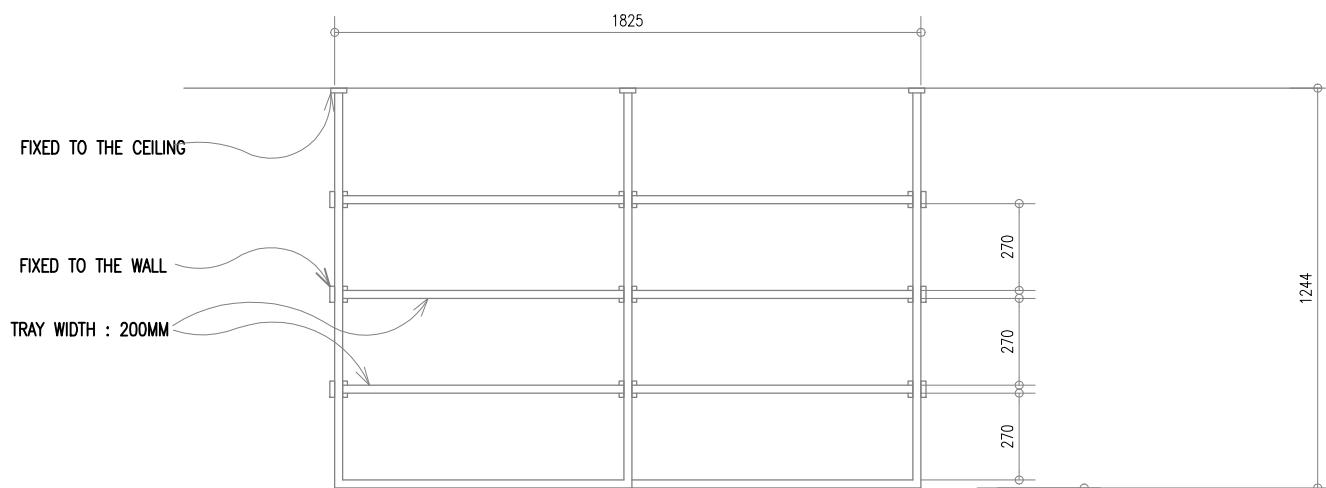
KB-4	Scale : 1:50
	Drawing: Hydraulics and Drainage SME HUB - B Block HDh. Kulhudhuffushi
	All Dimensions are in mm



ELEVATION - E1



ELEVATION - E2



ELEVATION - E3

FIXED FURNITURE FOR KIOSKS

KB-5	Scale : 1:25
	Drawing: Cup Board Details of KIOSK SME HUB for Both A Block and B Block HDh. Kulhudhuffushi
	All Dimensions are in mm