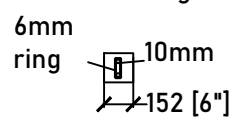


454 [1'-6"]

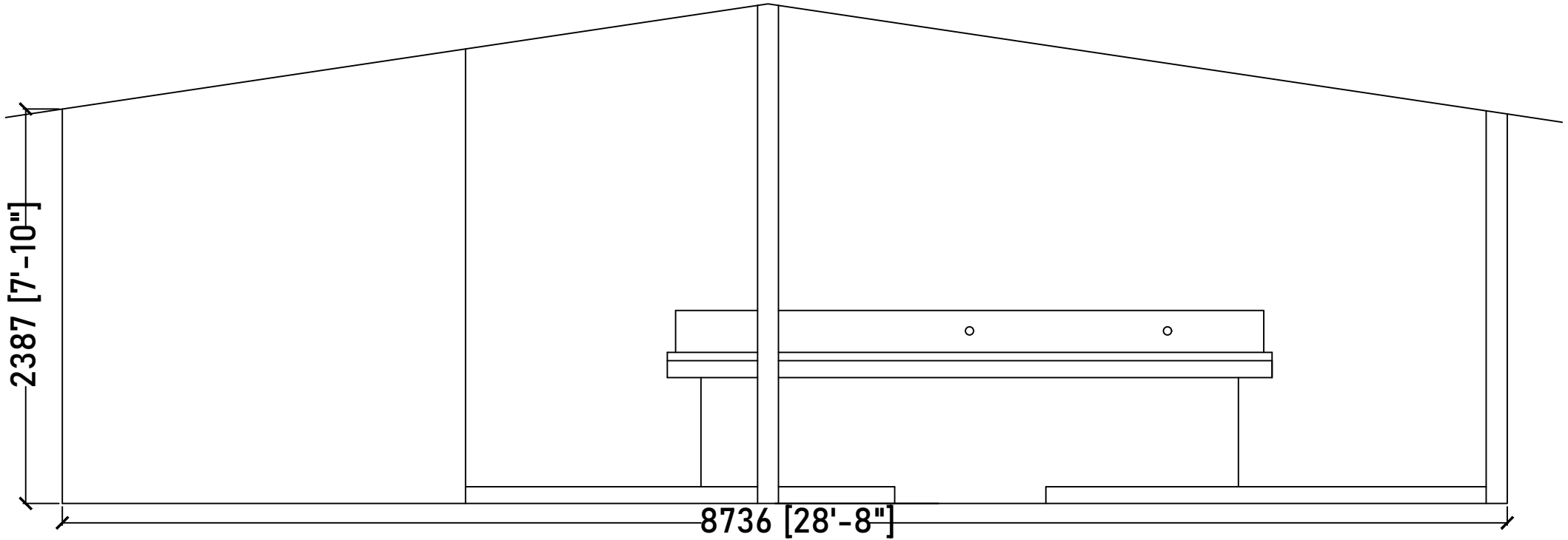
101 [4"]
column

454 [1'-6"]

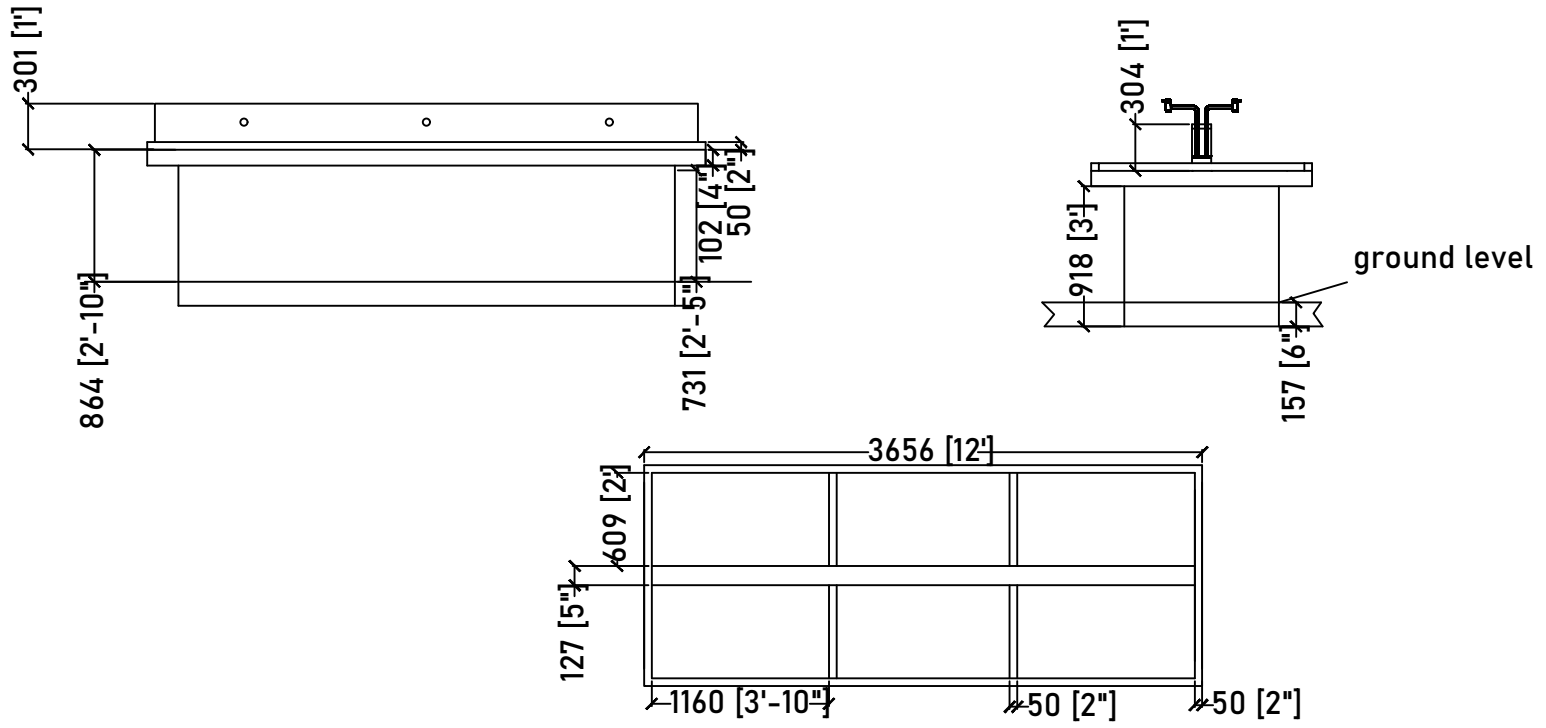


galvanize column bed

poundation plan

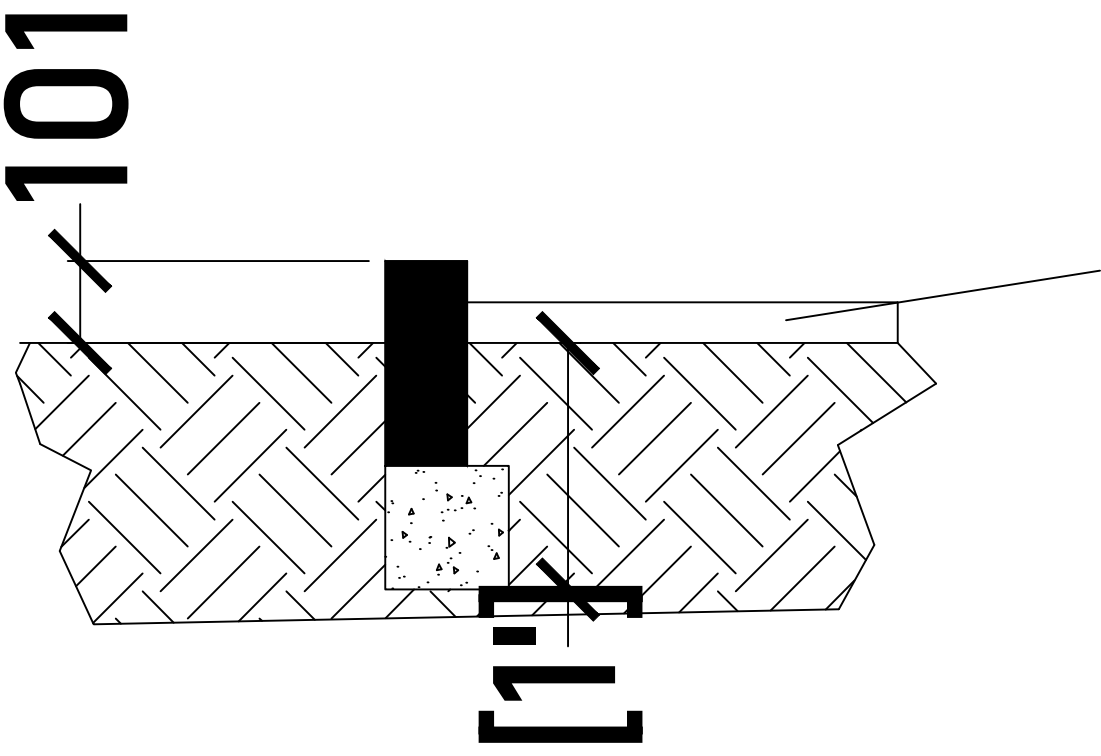


**front
evaluation**



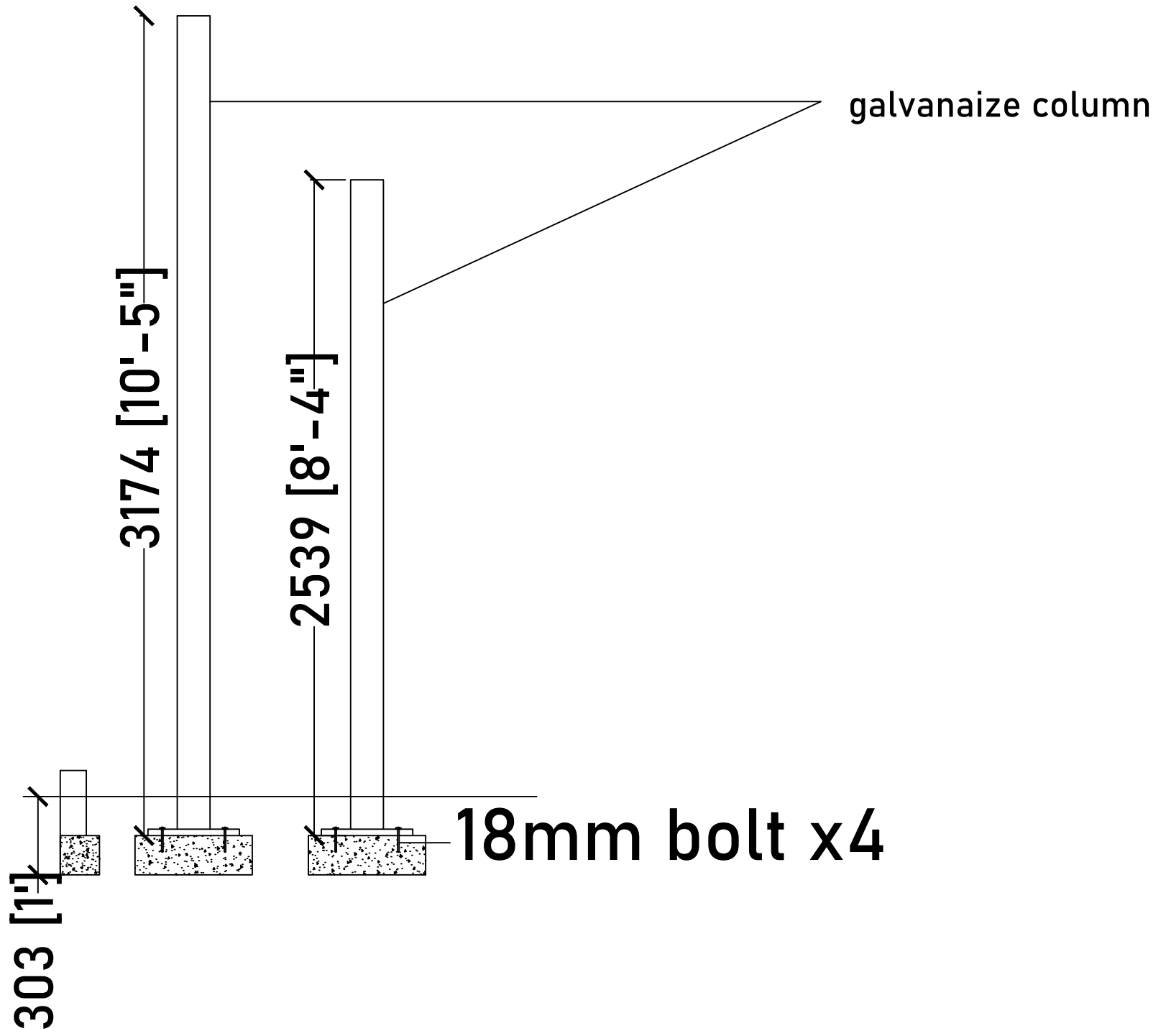
Ashi detail

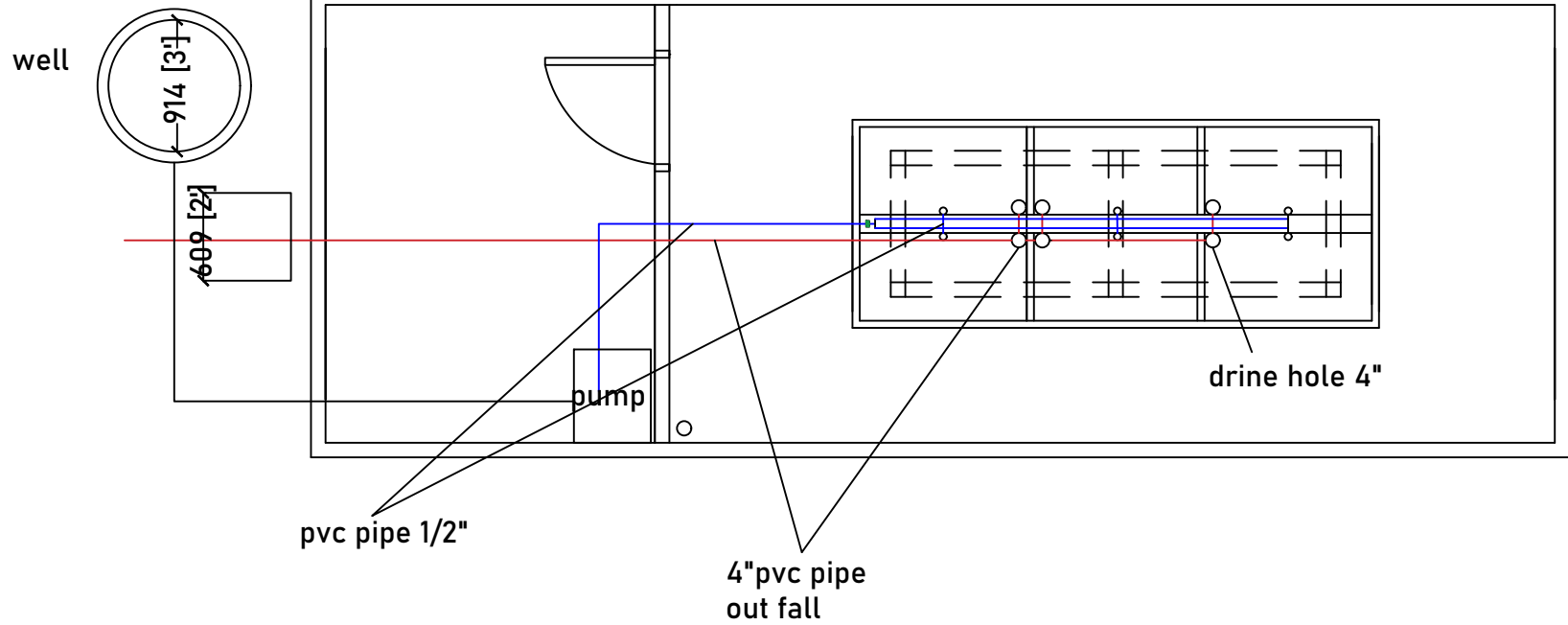
101 [4"]
gaafolhu



**50mm
floor**

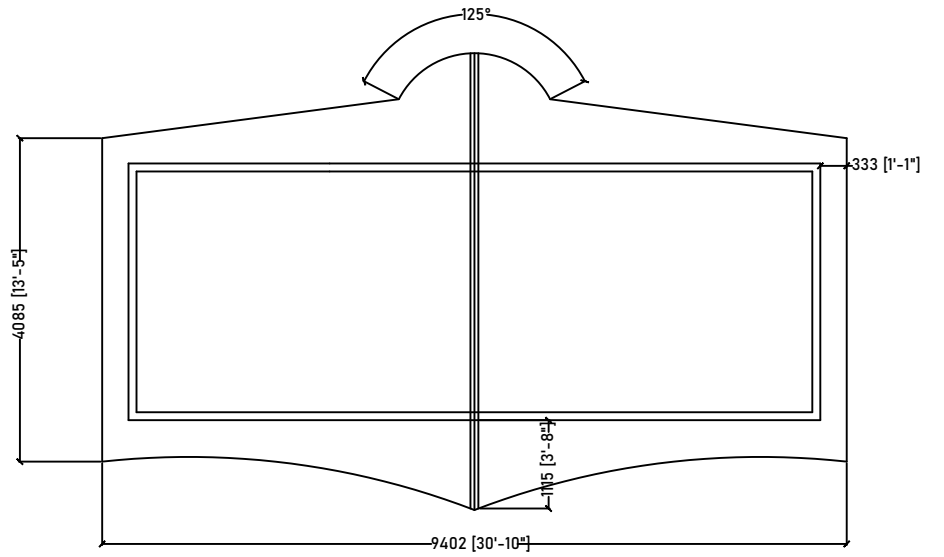
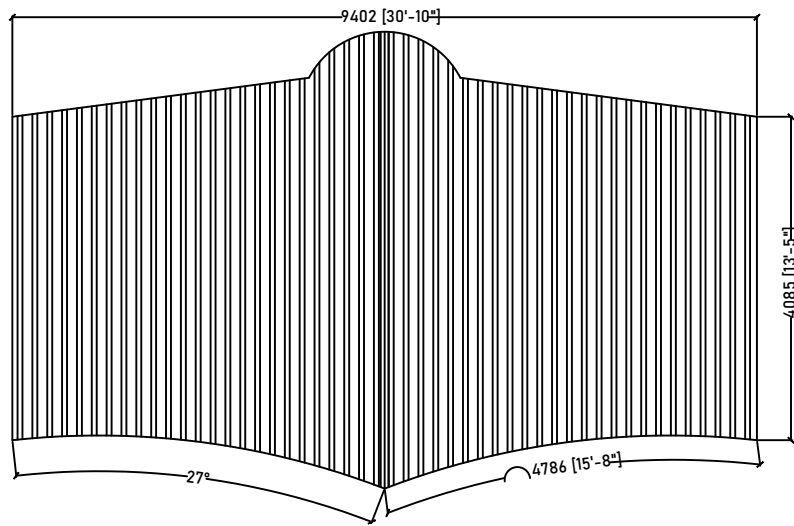
303 [1"]
ground
bottom level





pvc pipe 1/2"

4" pvc pipe
out fall



Roof plan

1 gang Socket

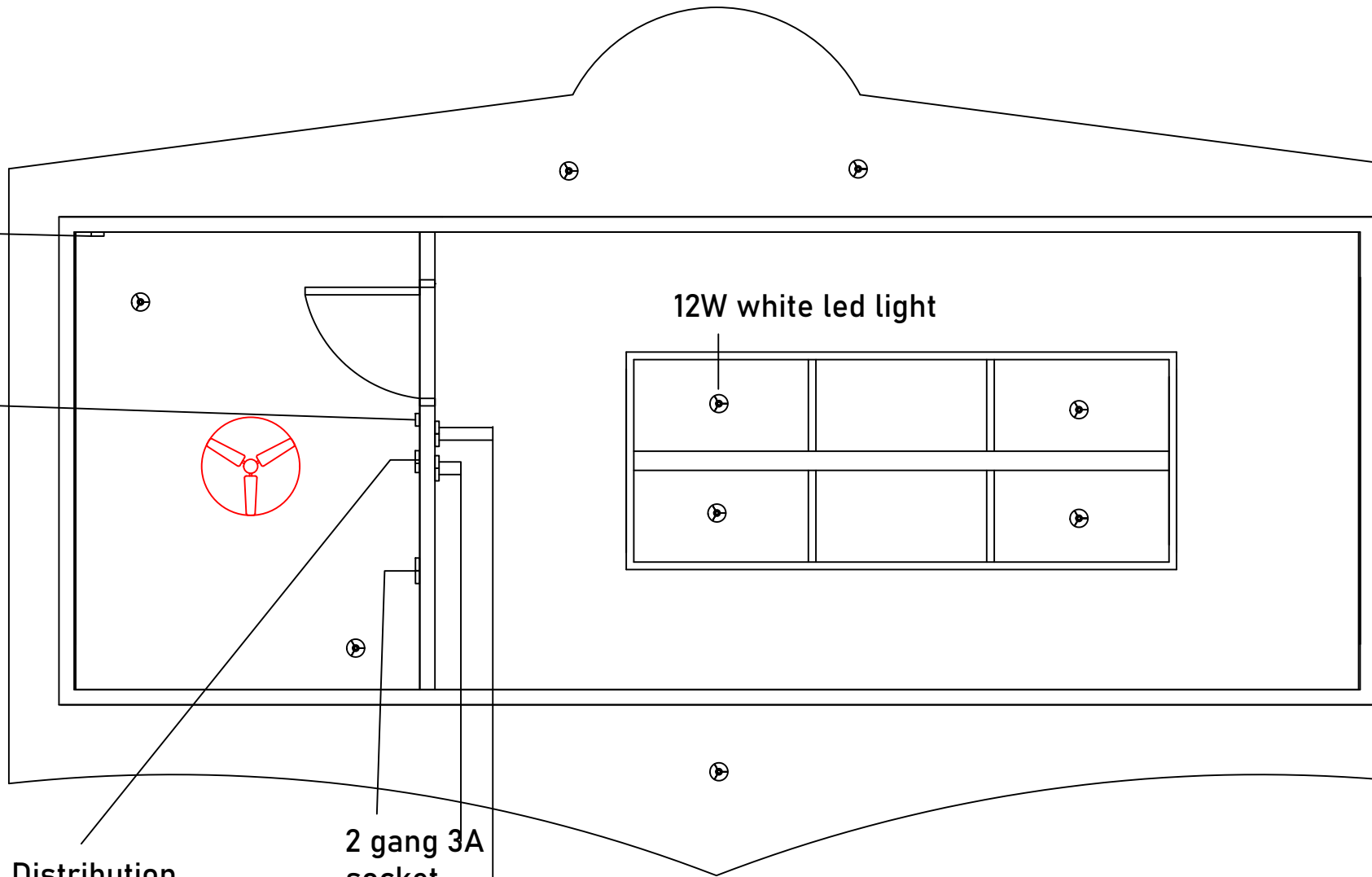
1 gang switch

Distribution
box

2 gang 3A
socket

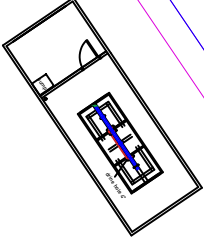
2 gang switch

12W white led light



Harb

G11
Ice Plant



FR HUTS

