



Secretariat of the Uligan Council  
HA. Uligan, Rep. of Maldives



## Ijuthimaeee Hiyaage Vashaafaaru Reynun, Hall Hedhun

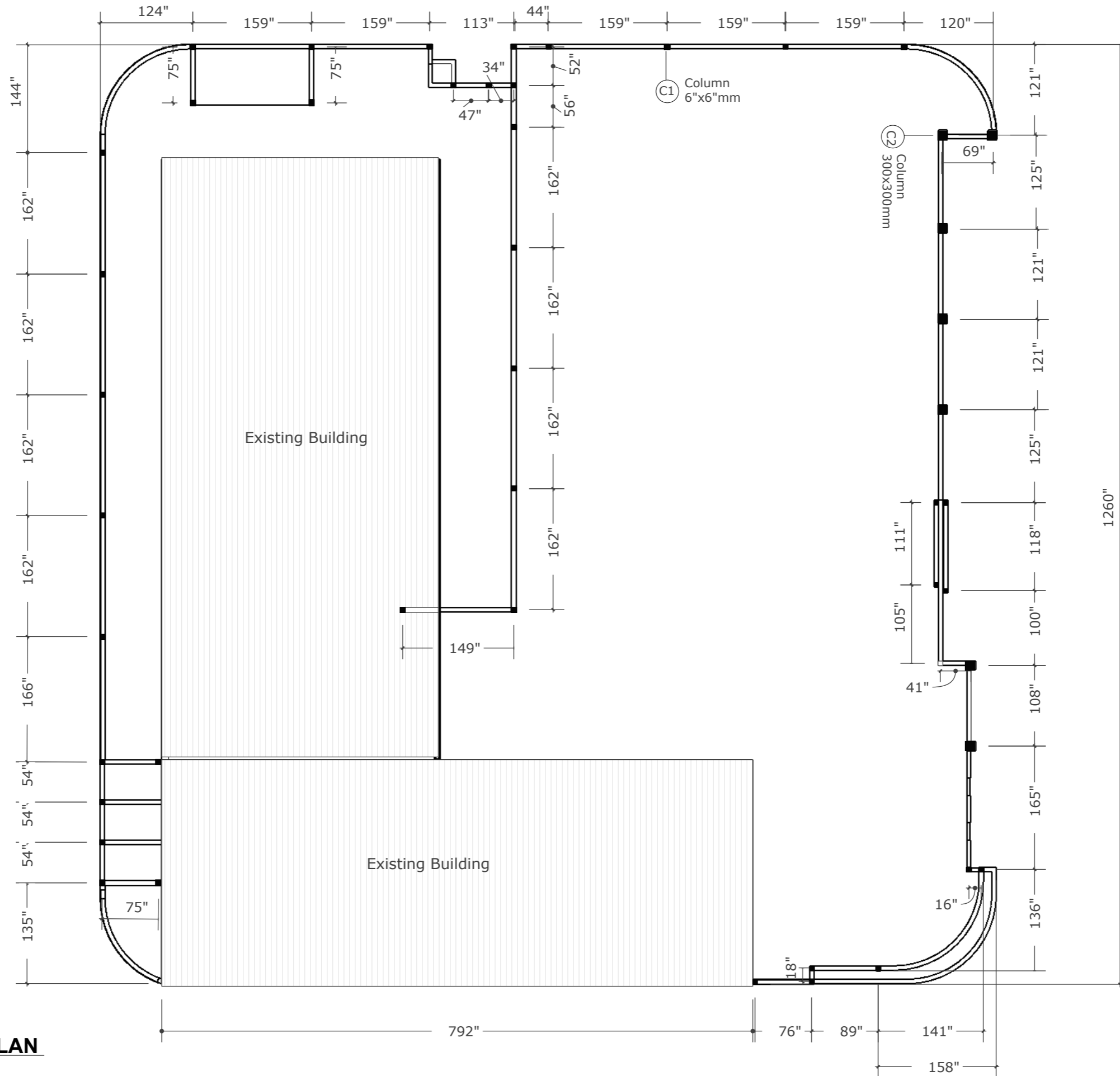
Project Number: PC-245/2023/W-10



Secretariat of the Uligan Council

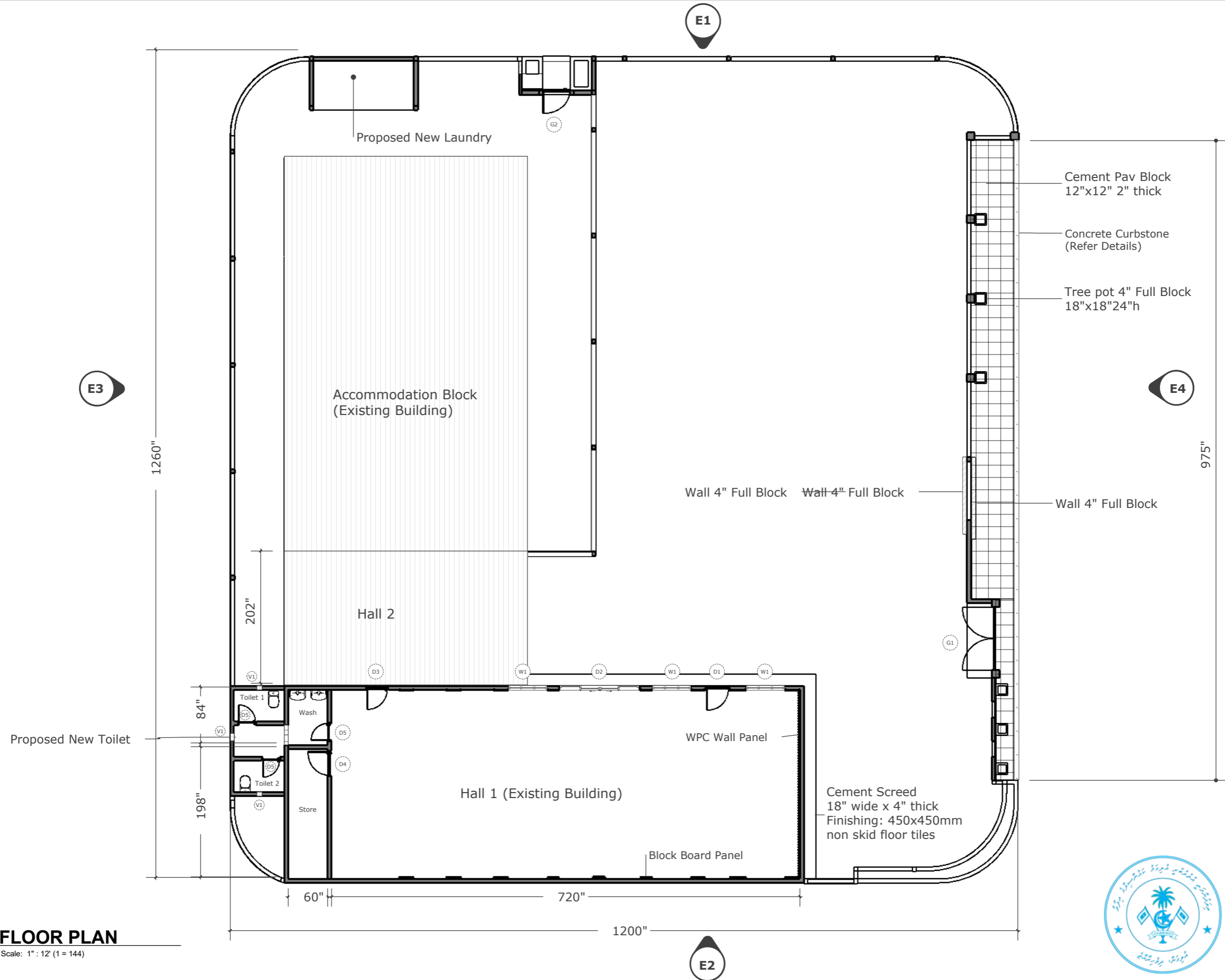
Alimagu  
HA. Uligan, 01020  
6501013, 6501012  
projects@uligan.gov.mv

**Ijuthimaeee Hiyaage  
Vashaafaaru Reynun, Hall  
Hedhun**

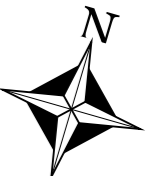


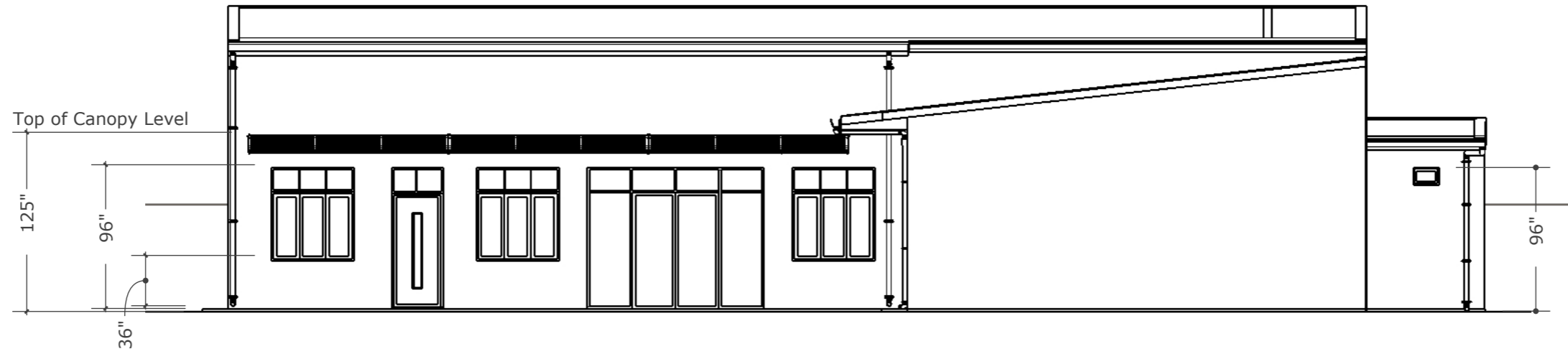
1 FOUNDATION PLAN  
 A01 Scale: 1" : 12' (1 = 144)





**1 FLOOR PLAN**  
 A02 Scale: 1" : 12' (1 = 144)



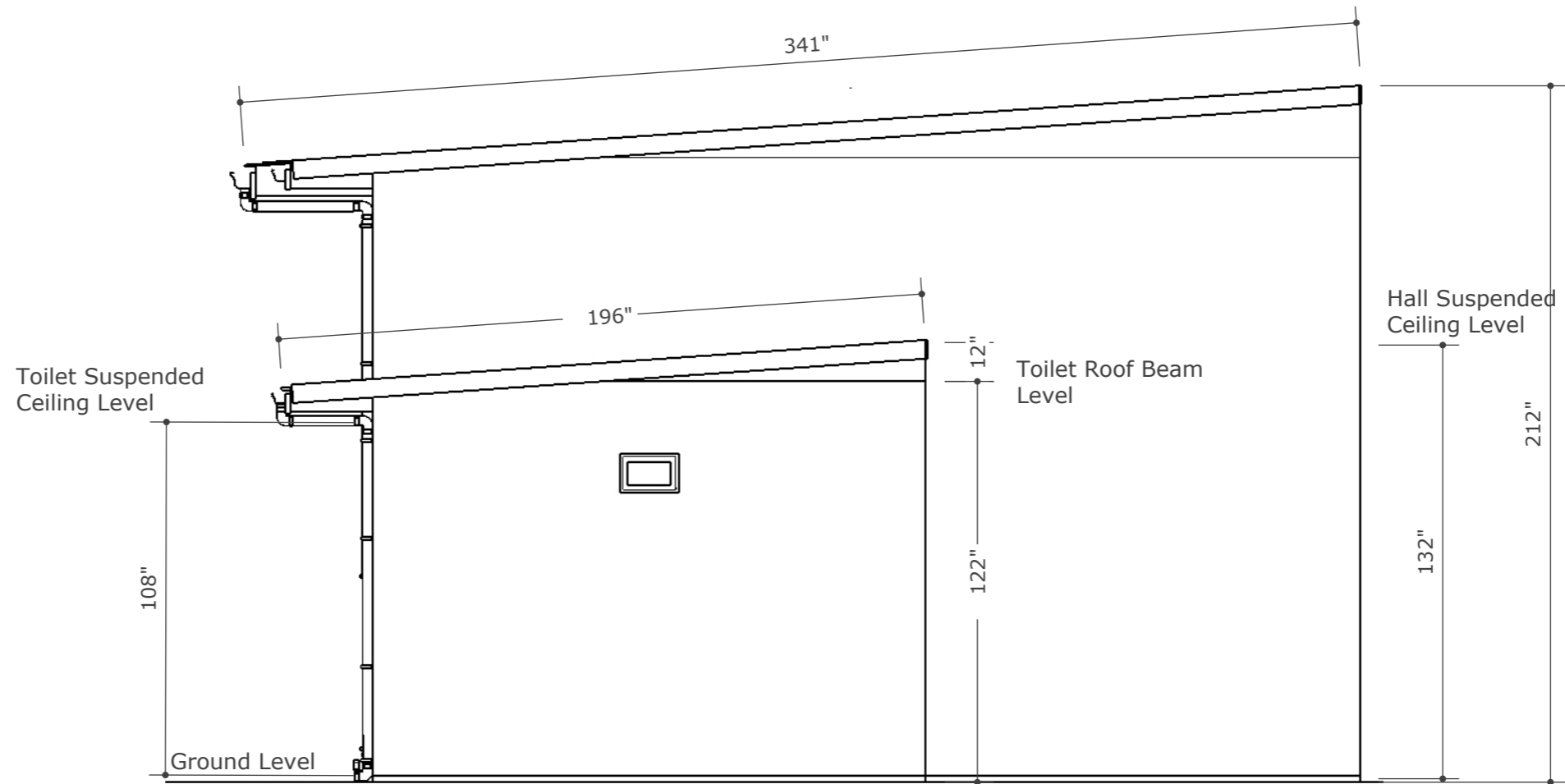


1 **ELEVATION 1**  
 A03 Scale: 1" : 8' (1 = 96)

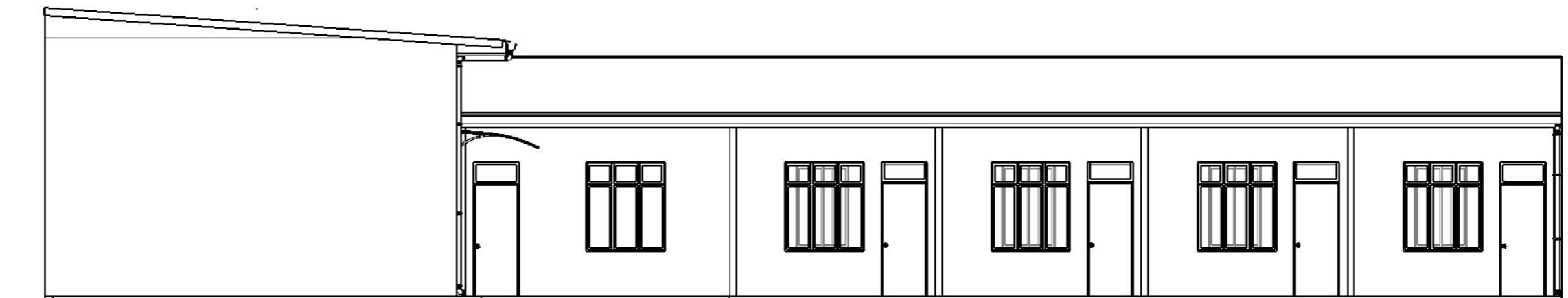


2 **ELEVATION 2**  
 A03 Scale: 1" : 8' (1 = 96)





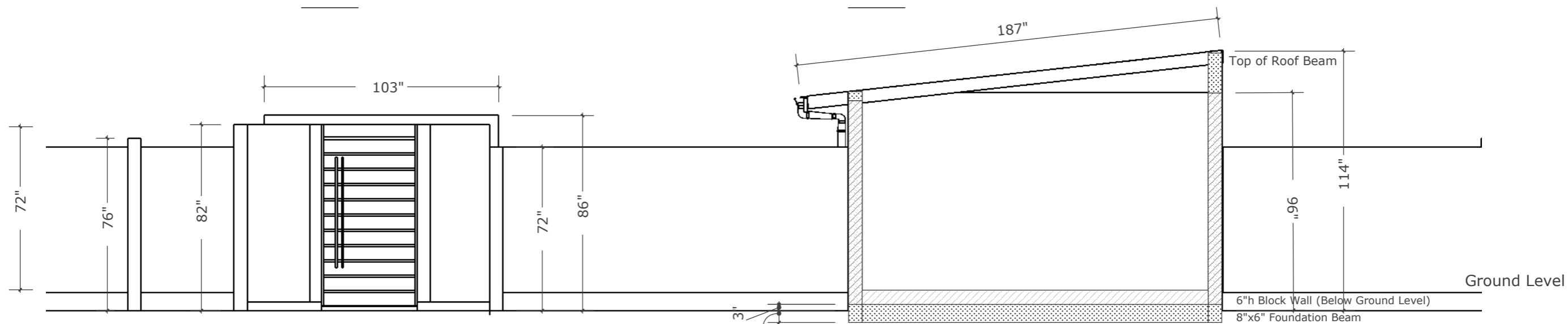
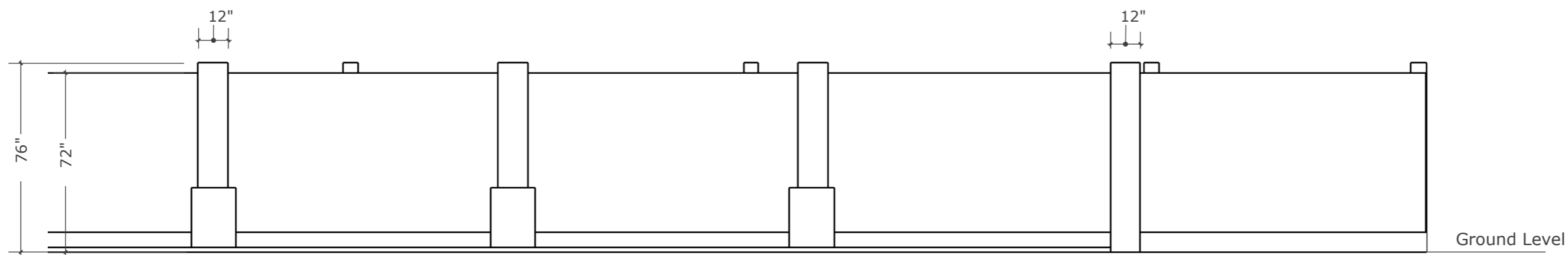
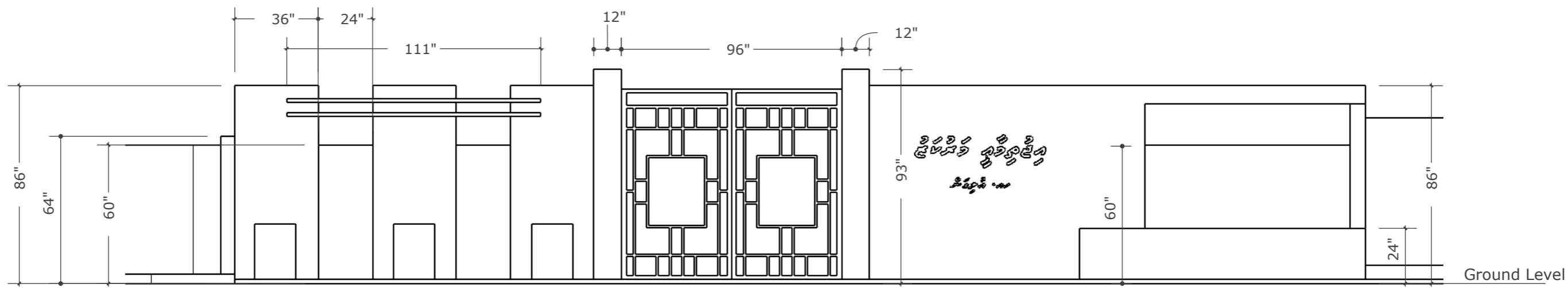
1 **ELEVATION 3**  
 A04 Scale: 1" : 4' (1 = 48)



1 **ELEVATION 4**  
 A04 Scale: 1" : 8' (1 = 96)



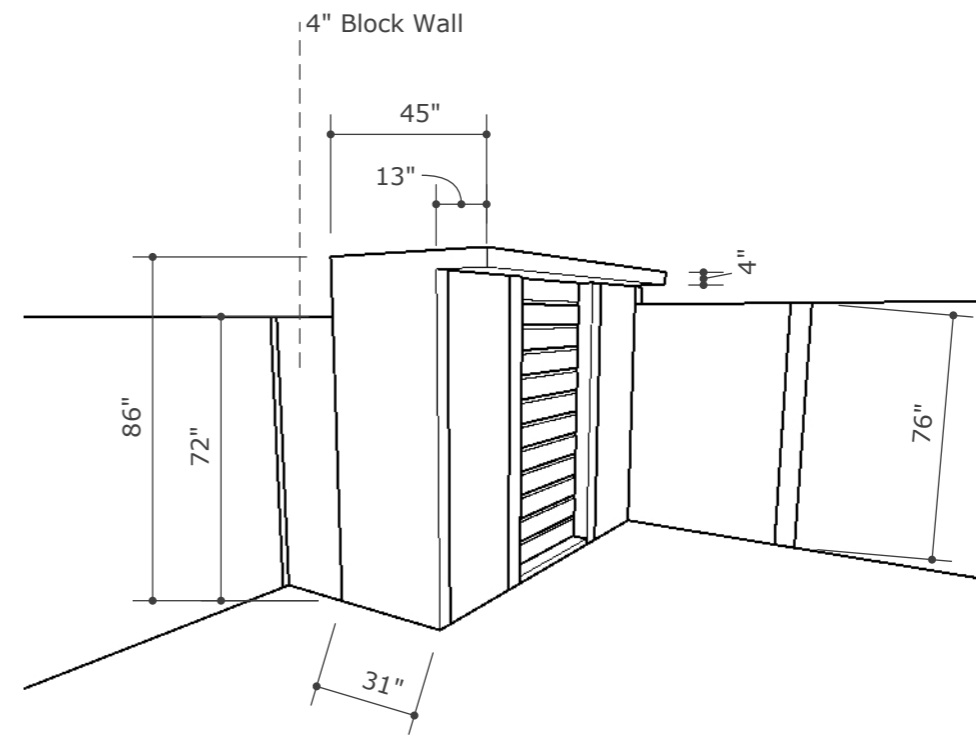
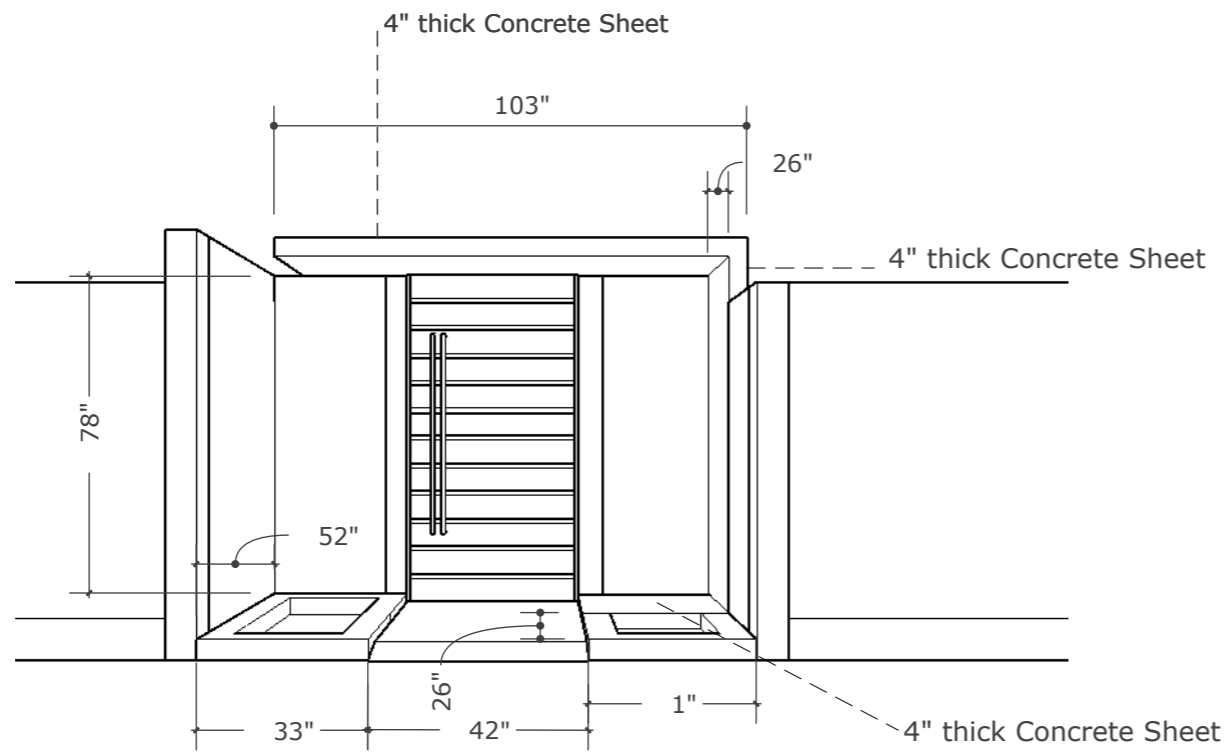
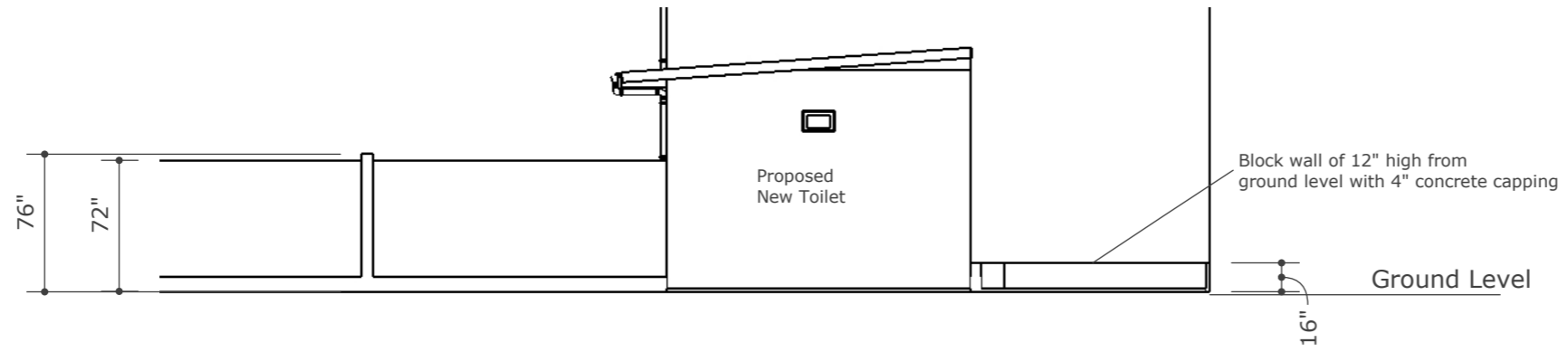




(Block wall & foundation beam - this concept will be applied to all parts of the boundary wall.)

**1 WALL DETAILS**  
A06 Scale: 1" : 4' (1 = 48)

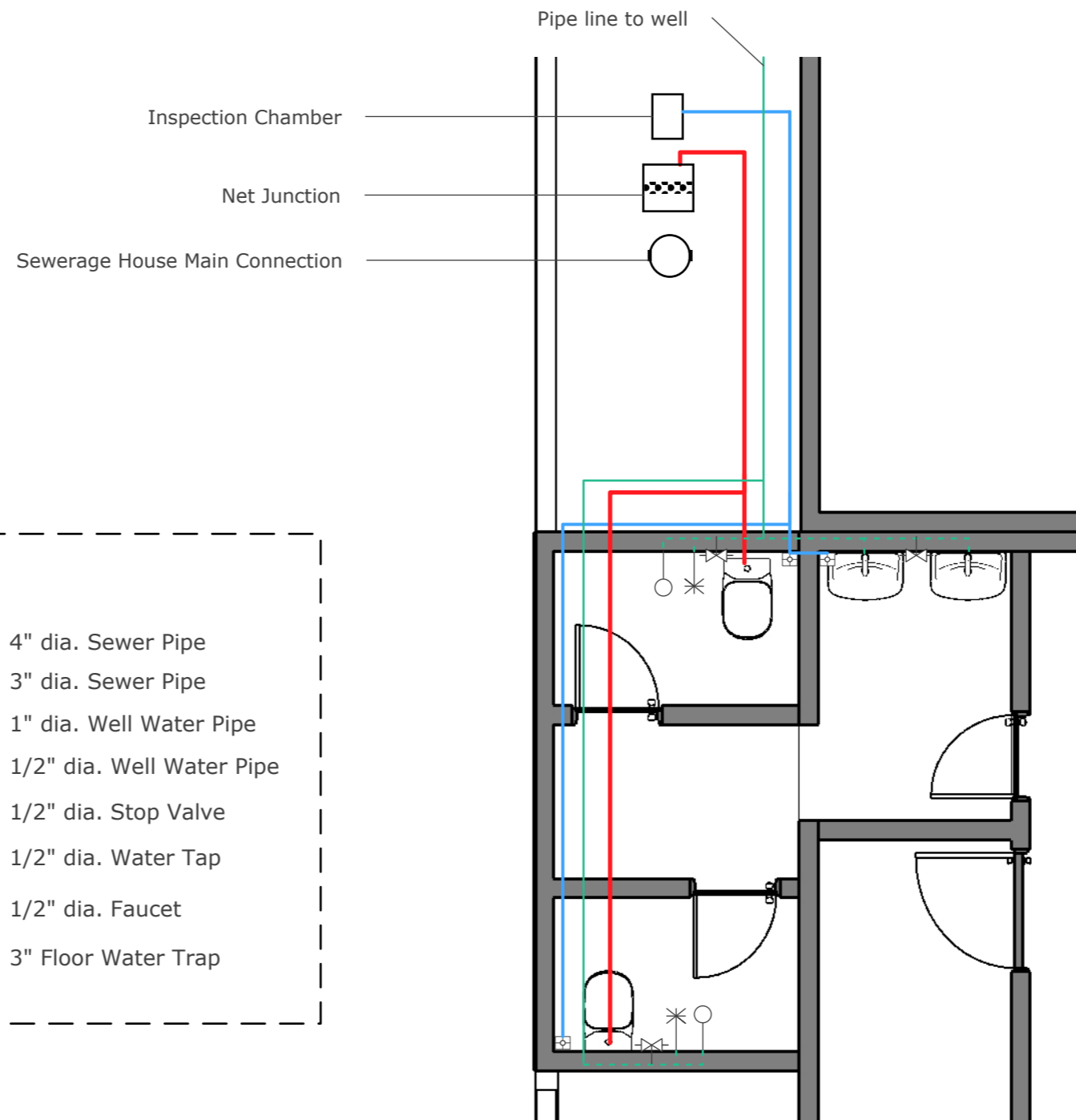








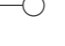



1 **WALL DETAILS**  
A07 Not To Scale



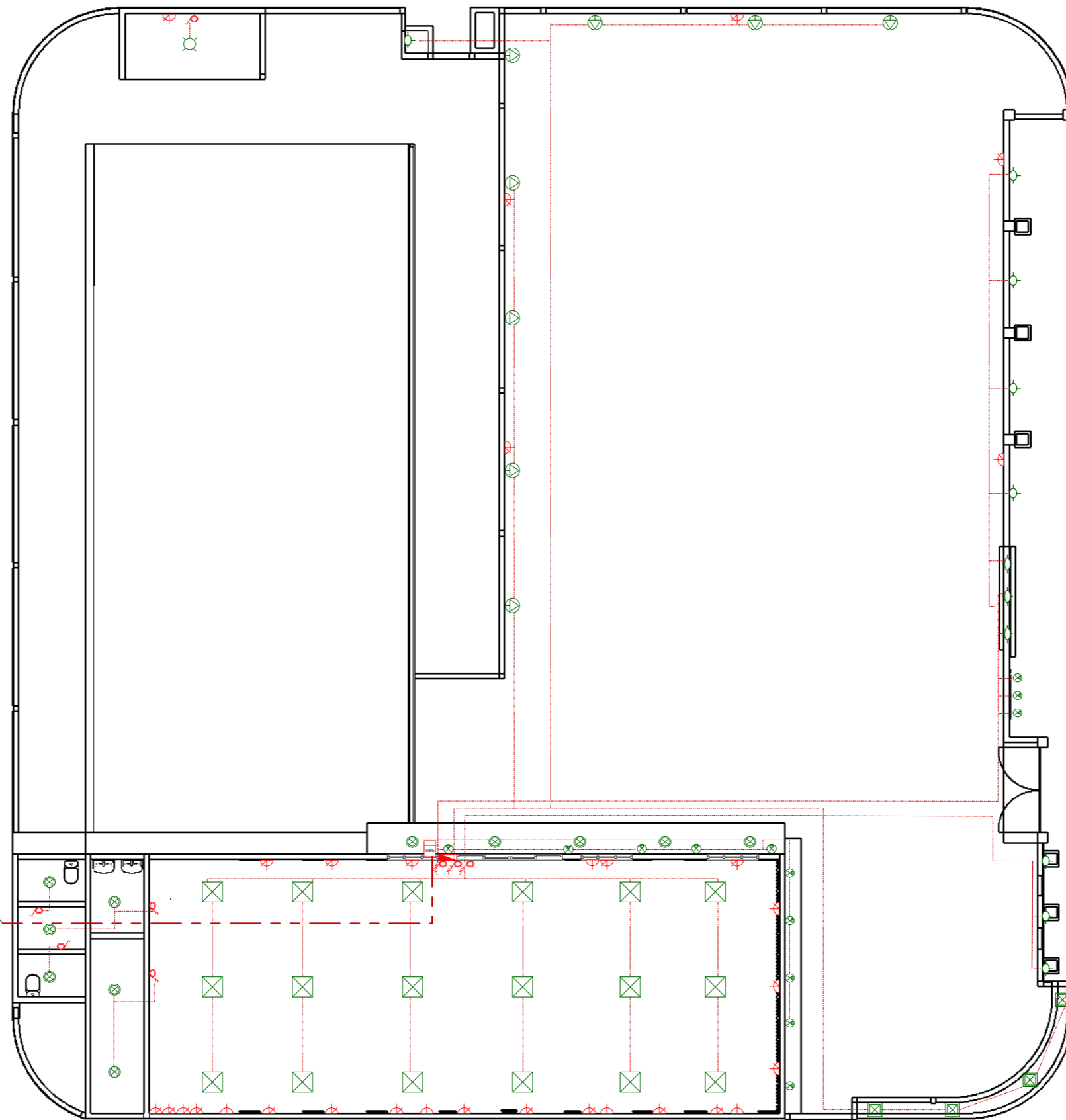




Legend	
	4" dia. Sewer Pipe
	3" dia. Sewer Pipe
	1" dia. Well Water Pipe
	1/2" dia. Well Water Pipe
	1/2" dia. Stop Valve
	1/2" dia. Water Tap
	1/2" dia. Faucet
	3" Floor Water Trap

1 **PLUMBING LAYOUT**  
A08 Scale: 1" : 4' (1 = 48)

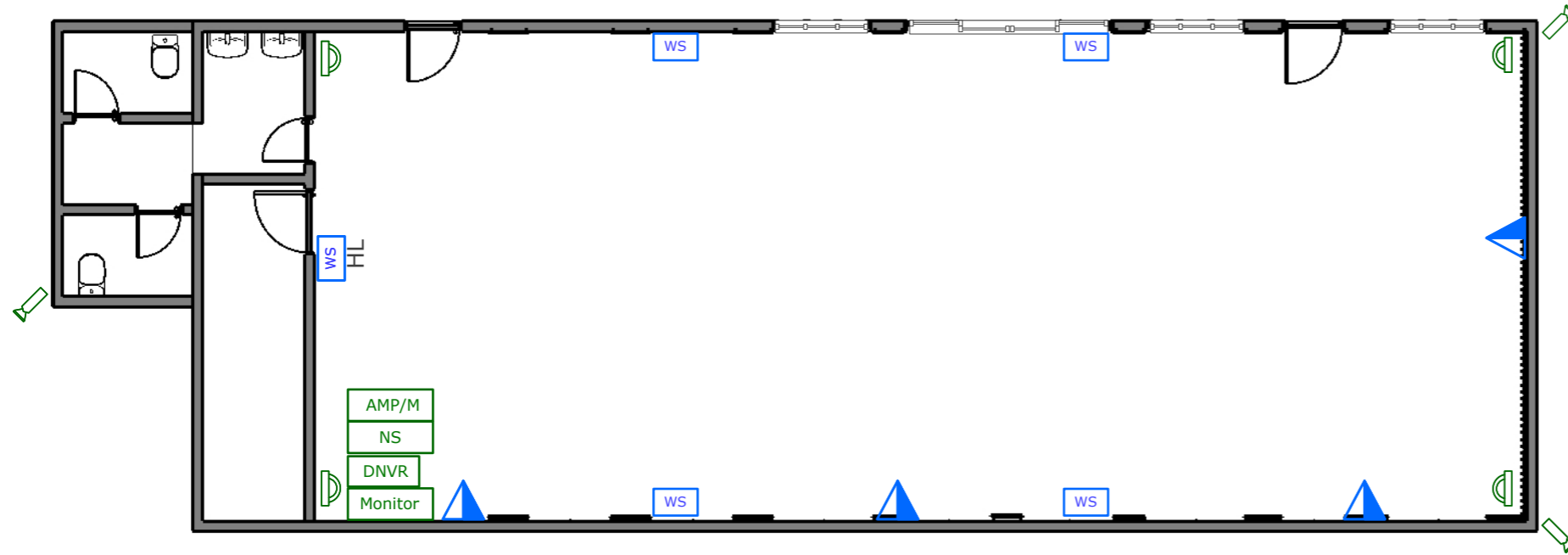




### Legend

- ⊠ Ceiling Mounted Rectangular LED Panel Light 24" 80-85W
- ⊗ Ceiling Mounted Surface Round LED Panel Light 22W
- ⊕ Wall Mounted Outdoor Weatherproof 22W Bulb
- ⊖ Ceiling Mounted Outdoor Weatherproof 22W Bulb
- ⊗ Underground Spot Light 3W warm white
- ⊠ Outdoor In-Ground RGB LED Light 22W
- ⊕ LED Light 12W E27
- ⊖ Outdoor In-Ground Gardern LED Light 22W
- ⊠ House Hour Meter 3 Phase
- ⊠ Flush Mounted Distribution Box
- ⊠ Socket Outlet 13A Universal (Single Gang switch in 2 Gangs Link Mounting Box)
- ⊠ Socket Outlet 15A @ High Level
- ⊕ Single Gang Switch
- ⊕ 2 Gang Switch
- ⊕ 3 Gang Switch
- ⊕ 4 Gang Switch
- ⊕ 5 Gang Switch

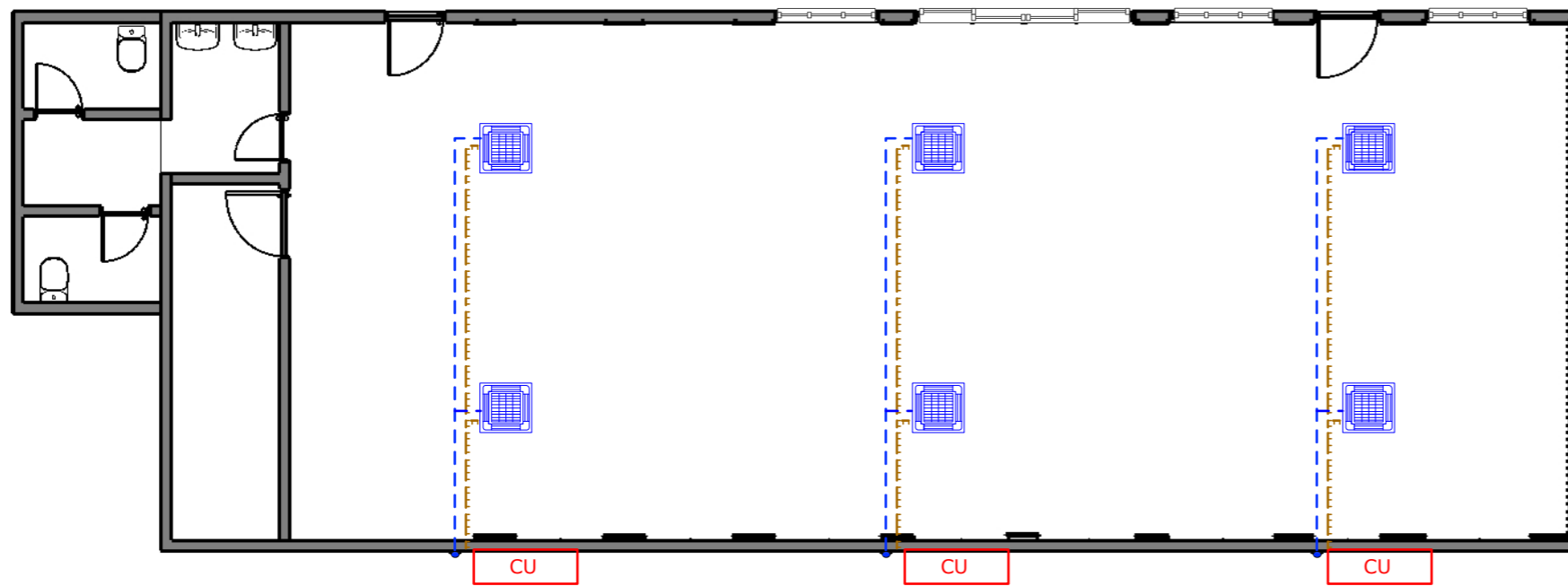
1 **ELECTRICAL PLAN**  
A09 Scale: 1" : 12' (1 = 144)



**Legend**

- Angular Camera
- 360° Camera
- Monitor Security Monitor
- DNVR Digital/Network Video Recorder
- WS Wall Mounted Speaker @ High Level
- Computer Network Outlet
- NS Network Switch
- AMP/M Amplifier & Sound Mixer

**1 POWER LAYOUT**  
 A10 Scale: 1" : 8' (1 = 96)

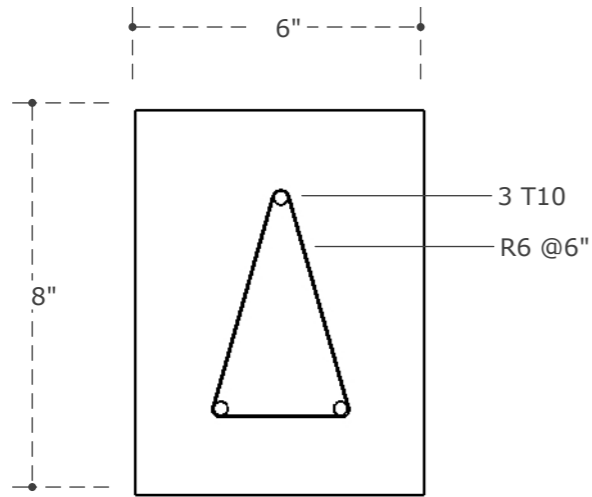


**Legend**

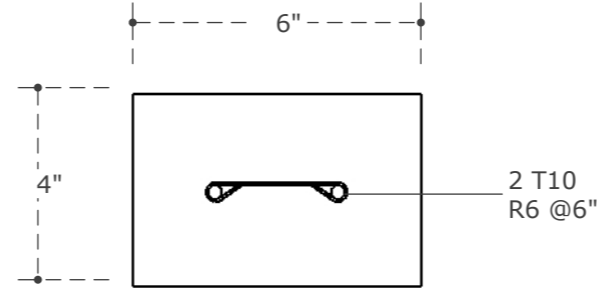
- 4-Way Cassette Air Conditioner
- CU Outdoor Condensing Unit
- Refrigerant Pipes
- 25.dia. Condensate Drain Pipe
- 40.dia. Condensate Drain Riser Pipe

**1 ACV LAYOUT**  
 A10 Scale: 1" : 8' (1 = 96)

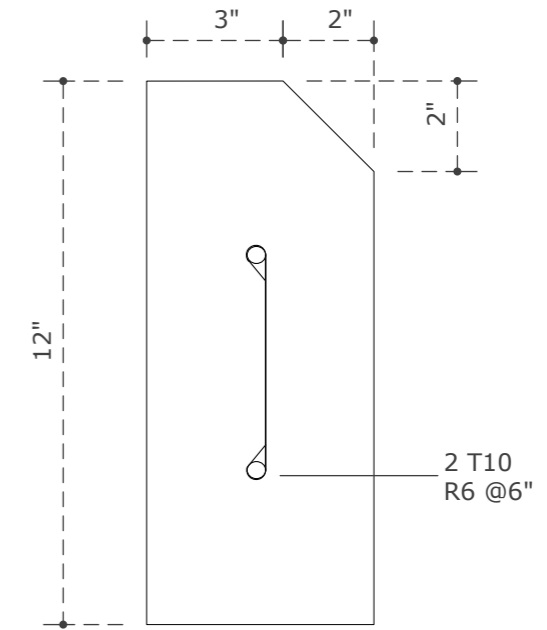




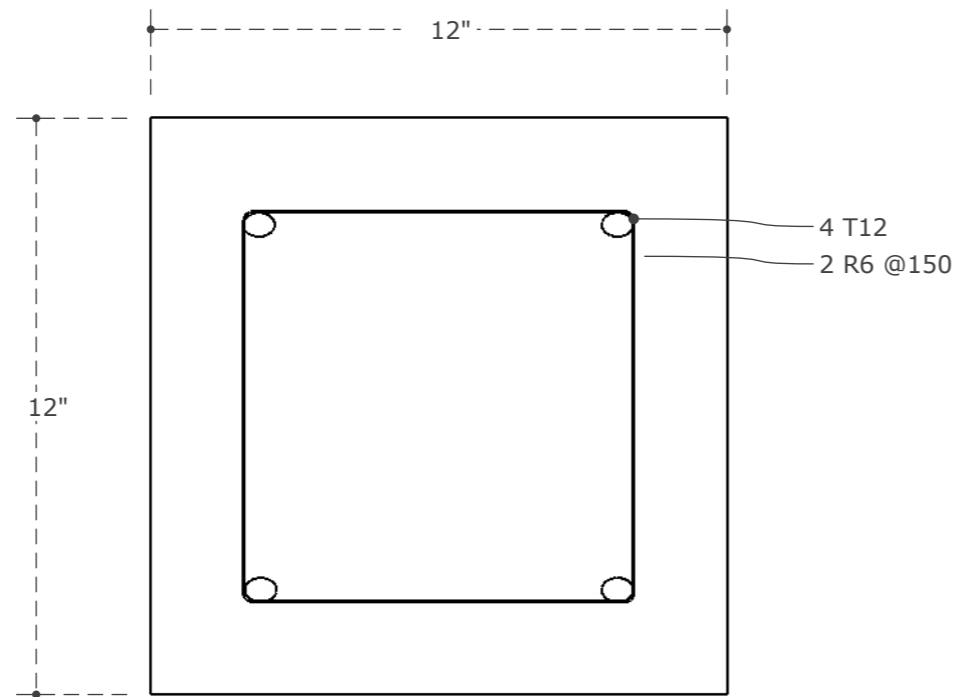
**FOUNDATION BEAM**



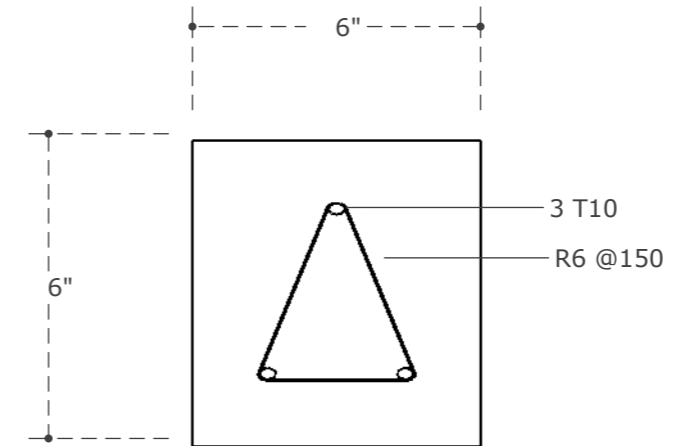
**CAPPING BEAM / ROOF BEAM**



**CURB-STONE**



**COLUMN 12"x12"**



**COLUMN 6"x6"**

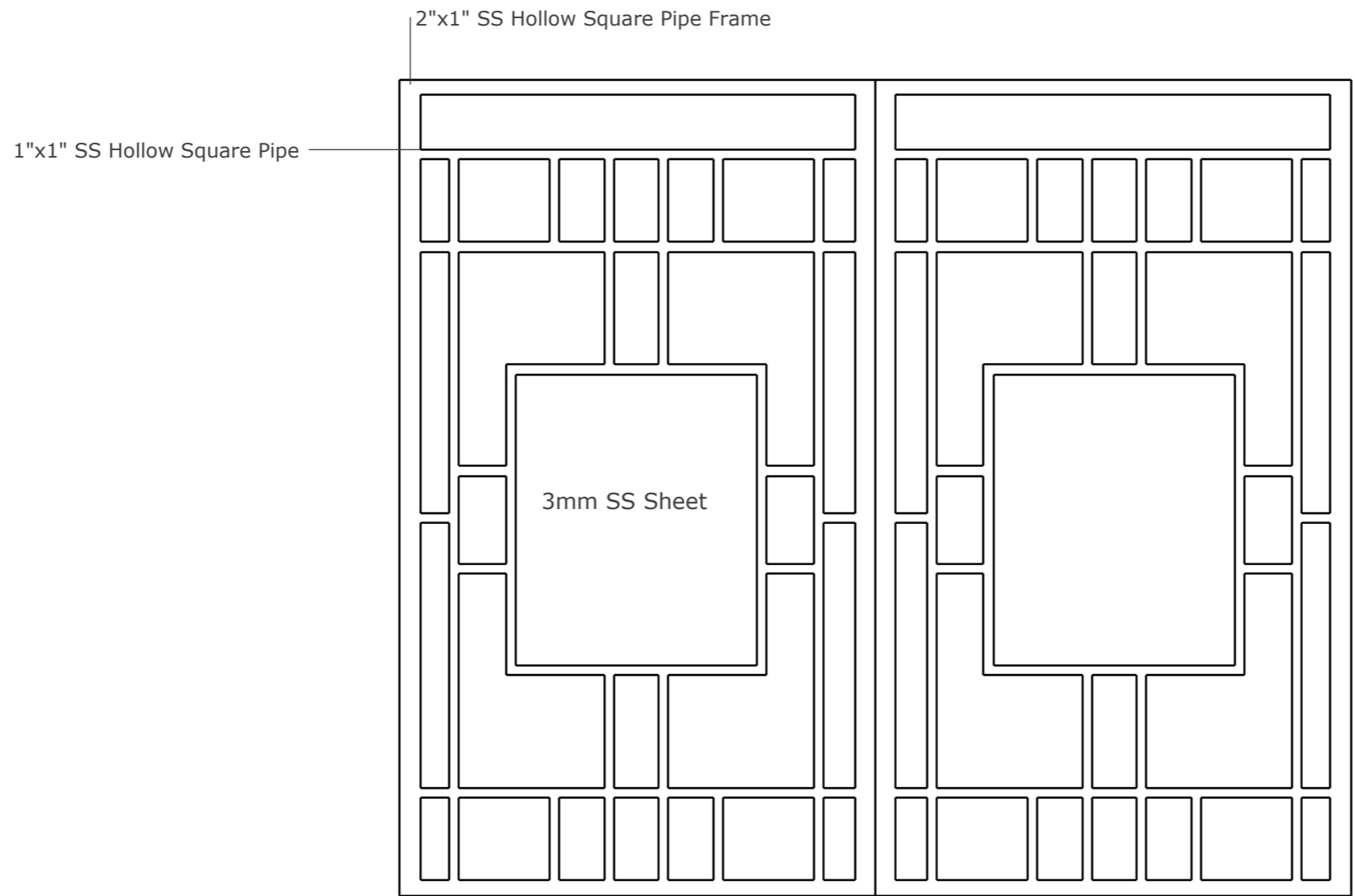


Elevation View	<b>G2</b>	<b>G1</b>	<b>D4</b>	<b>D5</b>	<b>V1</b>
Floor Level					
Frame Material	Aluminum Grey Powder Coated	SS Square Pipe (Refer Detail)	Aluminum Grey Powder Coated	Aluminum Grey Powder Coated	Aluminum Grey Powder Coated
Panel Material	Clear Cladding Panel with Pinewood Panel	SS Square Pipe (Refer Detail)	Aluminum Grey Powder Coated with Grey Cladding Panel	Aluminum Grey Powder Coated with Grey Cladding Panel	Aluminum Grey Powder Coated with Black Glass Panel

Elevation View	<b>D1</b>	<b>W1</b>	<b>D2</b>	<b>D3</b>
Floor Level				
Frame Material	Aluminum Grey Powder Coated	Aluminum Grey Powder Coated	Aluminum Grey Powder Coated	Aluminum Grey Powder Coated
Panel Material	Aluminum Grey Powder Coated with Grey Cladding Panel	Aluminum Grey Powder Coated with Black Glass Panel	Aluminum Grey Powder Coated with Black Glass Panel	Aluminum Grey Powder Coated with Grey Cladding Panel

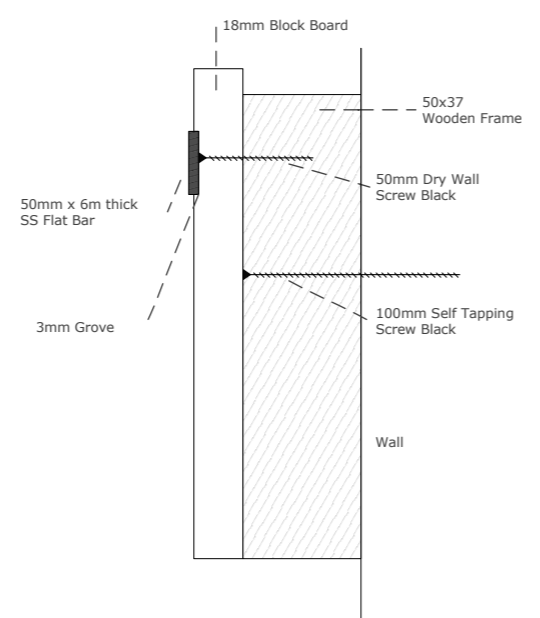
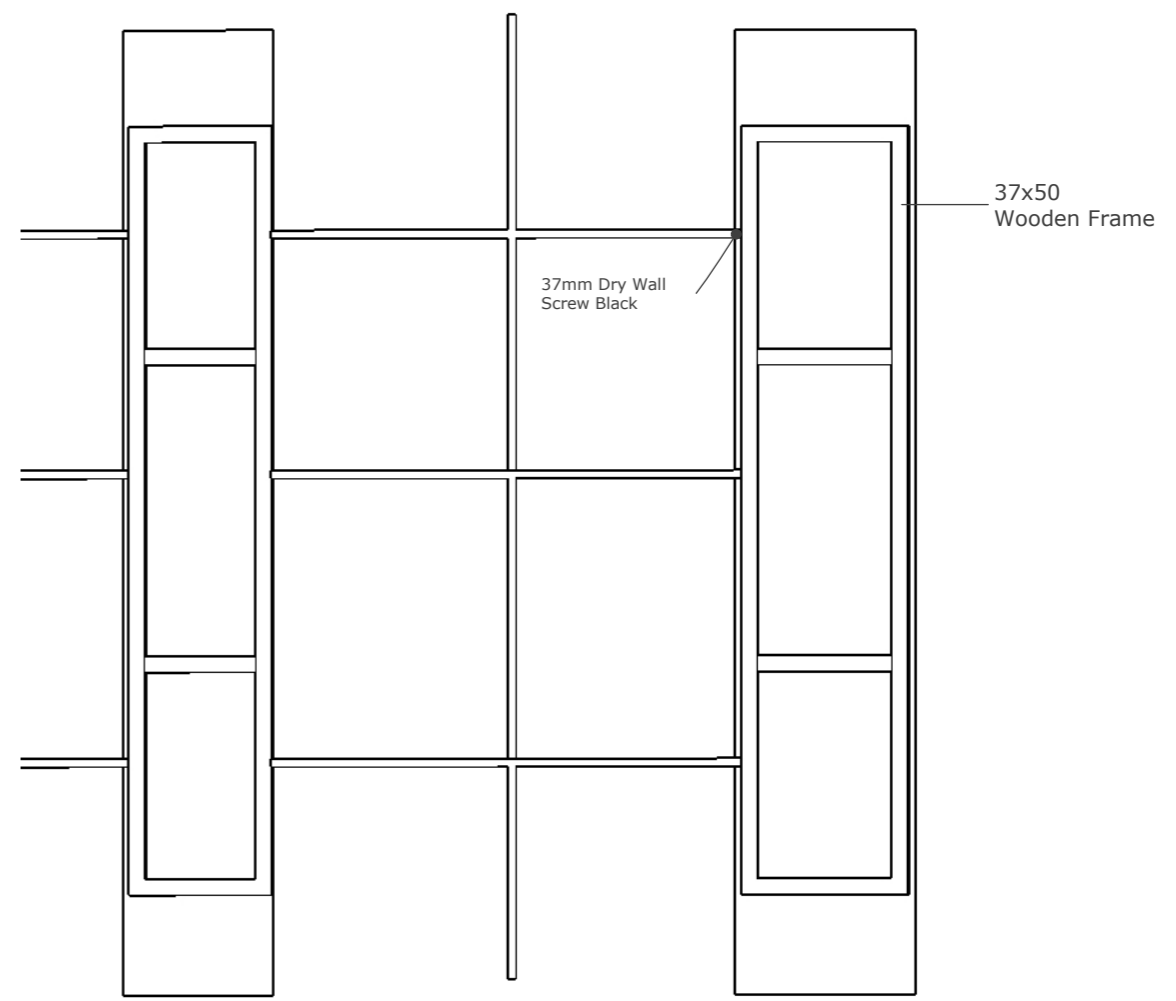
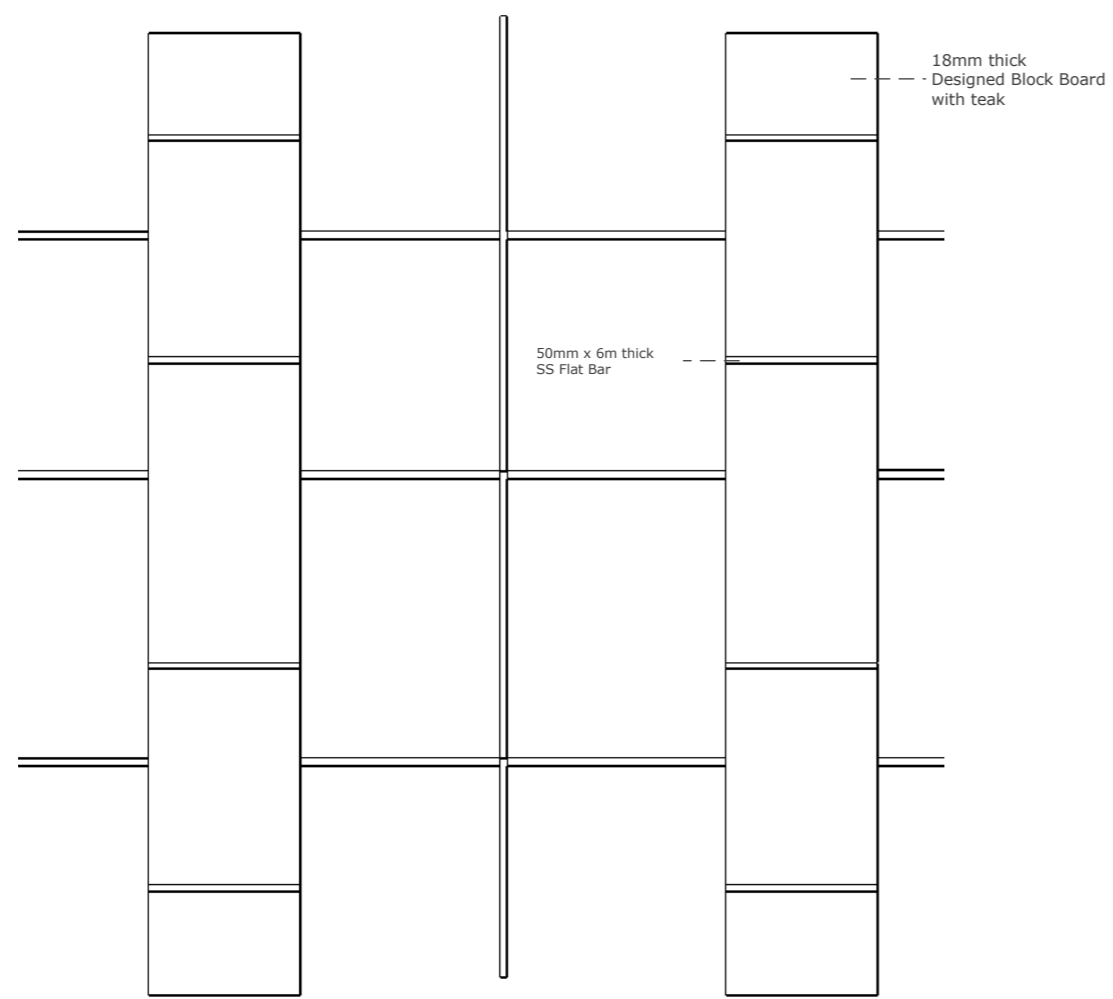
**1 DOOR & WINDOW SCHEDULE**  
A12 NOT TO SCALE





1 **GATE DETAIL**  
A13 NOT TO SCALE





**1 WOOD PANEL DETAIL**  
A14 1/2" : 1" (1:24)

