



## ސަލާމަތުގެ ޖަލްޞާޔާ

ފާއިދީފުލު ނާއިފަރު ސަރުކާރުގެ ސެކްރެޓަރިޓް (2 ވަނަ ފަހަރުގެ ޖަލްޞާޔާ ފާއިދީފުލު)

ފާއިދީފުލު ނާއިފަރު ސަރުކާރުގެ ސެކްރެޓަރިޓް: (IUL)327-A/327/2023/248

ފާއިދީފުލު ނާއިފަރު ސަރުކާރުގެ ސެކްރެޓަރިޓް:

ފާއިދީފުލު ނާއިފަރު ސަރުކާރުގެ ސެކްރެޓަރިޓް: 6 ސެޕްޓެމްބަރު 2023

ފާއިދީފުލު ނާއިފަރު ސަރުކާރުގެ ސެކްރެޓަރިޓް: 14 ސެޕްޓެމްބަރު 2023





14	<p>14 2023 13:00</p> <p>18.1</p>
20.1	<p>20.1</p> <p>14 2023 13:00</p>
24.1	<p>24.1</p>
28.1	<p>28.1</p> <p>5,000/- (5000) 10%</p>
28.2	<p>28.2</p>
30.1	<p>30.1</p> <p>10% (5000) 10%</p>
36.1	<p>36.1</p>







(A) 7.1.1-7.1.5

7.1. 7.1.1-7.1.5 7.1.1-7.1.5 7.1.1-7.1.5 7.1.1-7.1.5 7.1.1-7.1.5 7.1.1-7.1.5 7.1.1-7.1.5 7.1.1-7.1.5 7.1.1-7.1.5 7.1.1-7.1.5

7.1.1 (Section 1)

7.1.2 (Section 2)

7.1.3 (Section 3)

7.1.4 (Section 4)

7.1.5 (Section 5)

8.1 8.1 8.1 8.1 8.1 8.1 8.1 8.1 8.1 8.1

8.2 8.2 8.2 8.2 8.2 8.2 8.2 8.2 8.2 8.2

9.1 9.1 9.1 9.1 9.1 9.1 9.1 9.1 9.1 9.1

9.2 9.2 9.2 9.2 9.2 9.2 9.2 9.2 9.2 9.2

9.3 9.3 9.3 9.3 9.3 9.3 9.3 9.3 9.3 9.3

9.3 9.3 9.3 9.3 9.3 9.3 9.3 9.3 9.3 9.3

10.1 10.1 10.1 10.1 10.1 10.1 10.1 10.1 10.1 10.1

10.2 10.2 10.2 10.2 10.2 10.2 10.2 10.2 10.2 10.2

10.2 10.2 10.2 10.2 10.2 10.2 10.2 10.2 10.2 10.2

(B) 7.1.1-7.1.5











22. 22.1 22.1.1 22.1.2 22.1.3
23. 23.1
24. 24.1
25. 25.1
26. 26.1
- 22.1 22.1.1 22.1.2 22.1.3 (22.1.3.1)
- 23.1 23.1.1
- 24.1 24.1.1 24.1.2 24.1.3 24.1.4 24.1.5
- 25.1 25.1.1 25.1.2 25.1.3 25.1.4 25.1.5 25.1.6 25.1.7 25.1.8 25.1.9 25.1.10 25.1.11 25.1.12 25.1.13 25.1.14 25.1.15 25.1.16 25.1.17 25.1.18 25.1.19 25.1.20 25.1.21 25.1.22 25.1.23 25.1.24 25.1.25 25.1.26 25.1.27 25.1.28 25.1.29 25.1.30 25.1.31 25.1.32 25.1.33 25.1.34 25.1.35 25.1.36 25.1.37 25.1.38 25.1.39 25.1.40 25.1.41 25.1.42 25.1.43 25.1.44 25.1.45 25.1.46 25.1.47 25.1.48 25.1.49 25.1.50 25.1.51 25.1.52 25.1.53 25.1.54 25.1.55 25.1.56 25.1.57 25.1.58 25.1.59 25.1.60 25.1.61 25.1.62 25.1.63 25.1.64 25.1.65 25.1.66 25.1.67 25.1.68 25.1.69 25.1.70 25.1.71 25.1.72 25.1.73 25.1.74 25.1.75 25.1.76 25.1.77 25.1.78 25.1.79 25.1.80 25.1.81 25.1.82 25.1.83 25.1.84 25.1.85 25.1.86 25.1.87 25.1.88 25.1.89 25.1.90 25.1.91 25.1.92 25.1.93 25.1.94 25.1.95 25.1.96 25.1.97 25.1.98 25.1.99 25.1.100
- 26.1 26.1.1 26.1.2 26.1.3 26.1.4 26.1.5 26.1.6 26.1.7 26.1.8 26.1.9 26.1.10 26.1.11 26.1.12 26.1.13 26.1.14 26.1.15 26.1.16 26.1.17 26.1.18 26.1.19 26.1.20 26.1.21 26.1.22 26.1.23 26.1.24 26.1.25 26.1.26 26.1.27 26.1.28 26.1.29 26.1.30 26.1.31 26.1.32 26.1.33 26.1.34 26.1.35 26.1.36 26.1.37 26.1.38 26.1.39 26.1.40 26.1.41 26.1.42 26.1.43 26.1.44 26.1.45 26.1.46 26.1.47 26.1.48 26.1.49 26.1.50 26.1.51 26.1.52 26.1.53 26.1.54 26.1.55 26.1.56 26.1.57 26.1.58 26.1.59 26.1.60 26.1.61 26.1.62 26.1.63 26.1.64 26.1.65 26.1.66 26.1.67 26.1.68 26.1.69 26.1.70 26.1.71 26.1.72 26.1.73 26.1.74 26.1.75 26.1.76 26.1.77 26.1.78 26.1.79 26.1.80 26.1.81 26.1.82 26.1.83 26.1.84 26.1.85 26.1.86 26.1.87 26.1.88 26.1.89 26.1.90 26.1.91 26.1.92 26.1.93 26.1.94 26.1.95 26.1.96 26.1.97 26.1.98 26.1.99 26.1.100







K/CIR/2018/01 21 2018 21 2018  
2018 21 2018 21 2018  
PR-16 2018 21 2018 21 2018

2018 21 2018  
2018 21 2018



ސަލާމާތު - 3

އިތުރު ނިންމުމުގެ ޖަދުވަލު ގުޅިގެން

33.1 "ސަލާމާތު ބެލެހެއްޓުމުގެ" ސަފީރު ބަލަންދު ފެންނަންދެން ސަލާމާތު ނިންމުމުގެ ސަލާމާތު ބަލަންދު ބޭނުން ޖަދުވަލު ގުޅިގެން  
ރަވާލާނެ.

33. ޖަދުވަލު

33.2 "ސަލާމާތު ރާއްޖޭގެ ފެންނަންދެން" ސަފީރު ބަލަންދު ފެންނަންދެން ސަލާމާތު ނިންމުމުގެ ސަލާމާތު ބަލަންދު ބޭނުން ޖަދުވަލު ގުޅިގެން  
ރަވާލާނެ.

33.3 "ސަލާމާތު" ސަފީރު ބަލަންދު ފެންނަންދެން ސަލާމާތު ބެލެހެއްޓުމުގެ ސަލާމާތު ބަލަންދު ބޭނުން ޖަދުވަލު ގުޅިގެން  
ރަވާލާނެ.

33.4 "ސަލާމާތު ރަވާލަން" ސަފީރު ބަލަންދު ފެންނަންދެން ސަލާމާތު ބެލެހެއްޓުމުގެ ސަލާމާތު ބަލަންދު ބޭނުން ޖަދުވަލު ގުޅިގެން  
ރަވާލާނެ.

33.5 "ސަލާމާތު" ސަފީރު ބަލަންދު ފެންނަންދެން ސަލާމާތު ބެލެހެއްޓުމުގެ ސަލާމާތު ބަލަންދު ބޭނުން ޖަދުވަލު ގުޅިގެން  
ރަވާލާނެ.

34.1 "ސަލާމާތު ރަވާލަން" ސަފީރު ބަލަންދު ފެންނަންދެން ސަލާމާތު ބެލެހެއްޓުމުގެ ސަލާމާތު ބަލަންދު ބޭނުން ޖަދުވަލު ގުޅިގެން  
ރަވާލާނެ.

34. ޖަދުވަލު  
ޖަދުވަލު

34.2 "ސަލާމާތު ރަވާލަން" ސަފީރު ބަލަންދު ފެންނަންދެން ސަލާމާތު ބެލެހެއްޓުމުގެ ސަލާމާތު ބަލަންދު ބޭނުން ޖަދުވަލު ގުޅިގެން  
ރަވާލާނެ.

34.3 "ސަލާމާތު ރަވާލަން" ސަފީރު ބަލަންދު ފެންނަންދެން ސަލާމާތު ބެލެހެއްޓުމުގެ ސަލާމާތު ބަލަންދު ބޭނުން ޖަދުވަލު ގުޅިގެން  
ރަވާލާނެ.

35.1 "ސަލާމާތު ރަވާލަން" ސަފީރު ބަލަންދު ފެންނަންދެން ސަލާމާތު ބެލެހެއްޓުމުގެ ސަލާމާތު ބަލަންދު ބޭނުން ޖަދުވަލު ގުޅިގެން  
ރަވާލާނެ.

35. ޖަދުވަލު  
ޖަދުވަލު  
ޖަދުވަލު

35.2 35.1 "ސަލާމާތު ރަވާލަން" ސަފީރު ބަލަންދު ފެންނަންދެން ސަލާމާތު ބެލެހެއްޓުމުގެ ސަލާމާތު ބަލަންދު ބޭނުން ޖަދުވަލު ގުޅިގެން  
ރަވާލާނެ.











މަސަލާ 1

1 ޖަދުވަލުގައި ބަޔާންކޮށްފައިވާ ގޮތުގައި 2 ޖަދުވަލުގައި ބަޔާންކޮށްފައިވާ ގޮތުގައި ސަރުކާރުގެ ފަރާތުން ދެވޭ ހުށަހަޅާ ފަރާތްތަކުގެ ނަންބަރުތައް ބަޔާންކޮށްފައި ވެއެވެ.



# 1



lhnaifarucouncil



[www.naifaru.gov.mv](http://www.naifaru.gov.mv)



[info@naifaru.gov.mv](mailto:info@naifaru.gov.mv)



6626068





SECRETARIAT OF THE  
FAADHIPOLHU

# NAIFARU COUNCIL

PROJECT:

DEVELOPMENT OF A  
FUTSAL COURT  
AT LH. NAIFARU

DESIGNED BY:

ISMAIL YAMAAN YOOSUF  
ARCHITECT  
NAIFARU COUNCIL

SHARUWATH IBRAHIM  
SENIOR COUNCIL OFFICER  
NAIFARU COUNCIL

CHECKED BY:

ASHHAM MOHAMED  
ASSISTANT DIRECTOR  
NAIFARU COUNCIL

APPROVED BY:

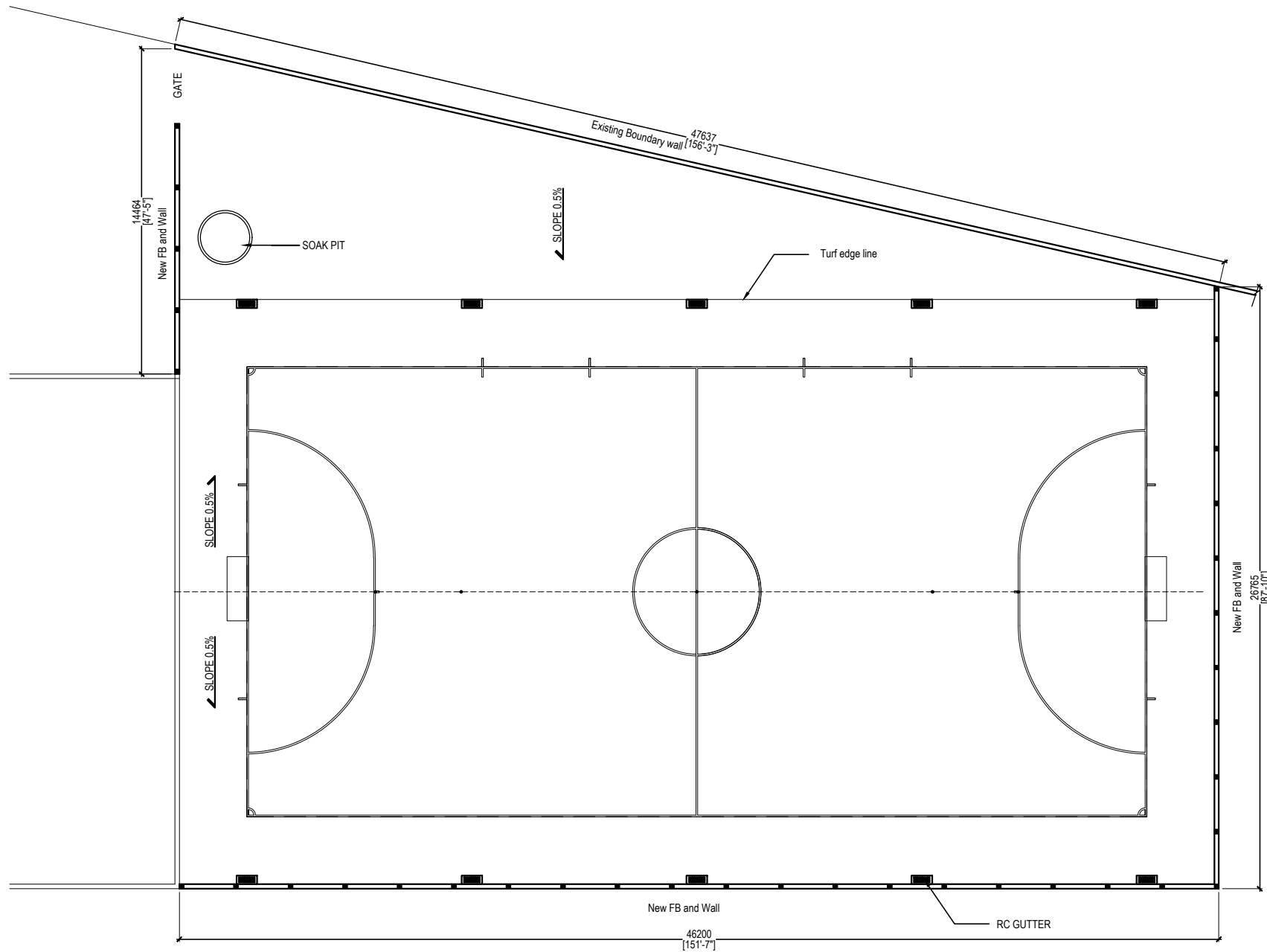
MOHAMED RASHEED  
COUNCIL PRESIDENT  
NAIFARU COUNCIL

DATE:

MAY 2023

DWG  
NO:  
01

SHEET  
NO:  
01



## SITE PLAN

SCALE 1:250





SECRETARIAT OF THE  
FAADHIPOLHU  
**NAIFARU  
COUNCIL**

PROJECT:

DEVELOPMENT OF A  
FUTSAL COURT  
AT LH. NAIFARU

DESIGNED BY:

ISMAIL YAMAAN YOOSUF  
ARCHITECT  
NAIFARU COUNCIL

SHARUWATH IBRAHIM  
SENIOR COUNCIL OFFICER  
NAIFARU COUNCIL

CHECKED BY:

ASHHAM MOHAMED  
ASSISTANT DIRECTOR  
NAIFARU COUNCIL

APPROVED BY:

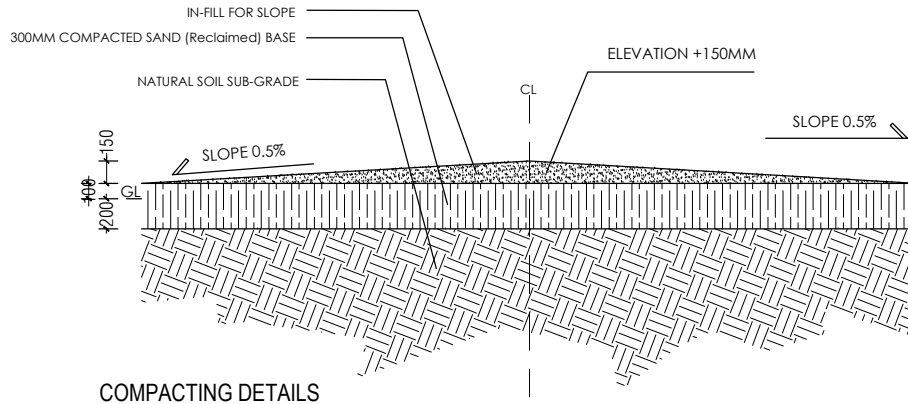
MOHAMED RASHEED  
COUNCIL PRESIDENT  
NAIFARU COUNCIL

DATE:

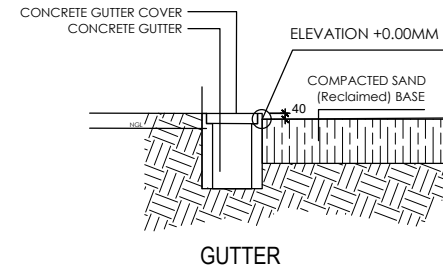
MAY 2023

DWG  
NO:  
02

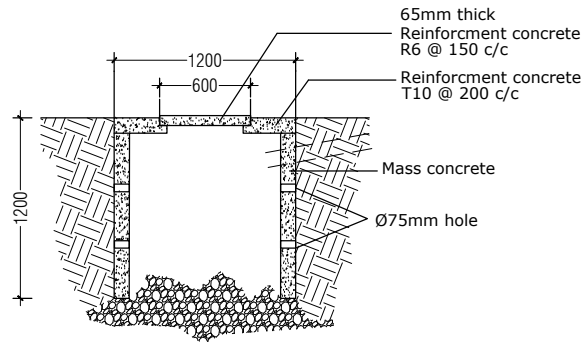
SHEET  
NO:  
02



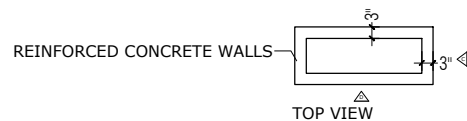
COMPACTING DETAILS



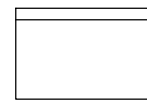
GUTTER



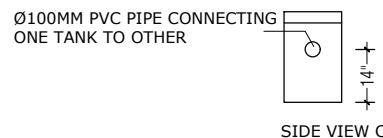
SOAK PIT DETAIL



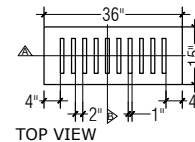
TOP VIEW



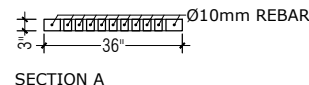
SIDE VIEW D



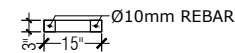
SIDE VIEW C



TOP VIEW



SECTION A



SECTION B

**DETAILS**

SCALE 1:50

RC GUTTER

RC GUTTER TOP



SECRETARIAT OF THE  
FAADHIPOLHU

# NAIFARU COUNCIL

PROJECT:

DEVELOPMENT OF A  
FUTSAL COURT  
AT LH. NAIFARU

DESIGNED BY:

ISMAIL YAMAAN YOOSUF  
ARCHITECT  
NAIFARU COUNCIL

SHARUWATH IBRAHIM  
SENIOR COUNCIL OFFICER  
NAIFARU COUNCIL

CHECKED BY:

ASHHAM MOHAMED  
ASSISTANT DIRECTOR  
NAIFARU COUNCIL

APPROVED BY:

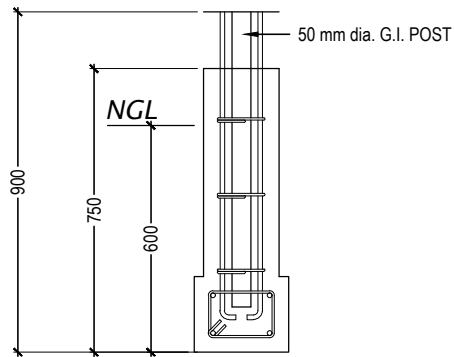
MOHAMED RASHEED  
COUNCIL PRESIDENT  
NAIFARU COUNCIL

DATE:

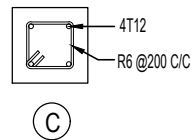
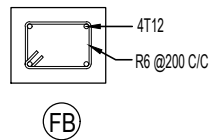
MAY 2023

DWG  
NO:  
03

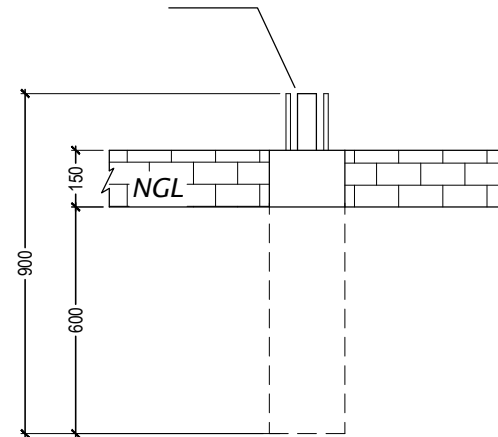
SHEET  
NO:  
03



REINFORCEMENT DETAIL



REINFORCEMENT AND GI PIPE UP TO 300MM  
HIGHT FROM THE NGL  
GI PIPE END COVERD BY PVC CAP



\*CHECK ALL MEASUREMENTS ON SITE BEFORE FABRICATION

WALL DETAIL

## DETAILS

SCALE 1:20

2 - كاشف

قائمة كاشف مياه الشرب في مختلف مناطق محافظة نيفارو

رقم	تاريخ	وصف	ملاحظات
1198	2011	كاشف مياه شرب في منطقة نيفارو	تحتفظ بـ 100 لتر ماء في
264	2011	كاشف مياه شرب في منطقة نيفارو	تحتفظ بـ 100 لتر ماء في
115:1	2011	كاشف مياه شرب في منطقة نيفارو	تحتفظ بـ 100 لتر ماء في
4:5	2011	كاشف مياه شرب في منطقة نيفارو	تحتفظ بـ 100 لتر ماء في
0:85	2011	كاشف مياه شرب في منطقة نيفارو	تحتفظ بـ 100 لتر ماء في
41	2011	كاشف مياه شرب في منطقة نيفارو	تحتفظ بـ 100 لتر ماء في
1	2011	كاشف مياه شرب في منطقة نيفارو	تحتفظ بـ 100 لتر ماء في
1	2011	كاشف مياه شرب في منطقة نيفارو	تحتفظ بـ 100 لتر ماء في
		مجموع	مجموع





سنة ٢٠٢٠ (5) - ج ٢٠٢٠

١ - ج ٢٠٢٠

٢٠٢٠ - ٢٠٢٠

#	٢٠٢٠ - ٢٠٢٠
٢٠٢٠ - ٢٠٢٠	
1	٢٠٢٠ - ٢٠٢٠ (2)
2	٢٠٢٠ - ٢٠٢٠
3	٢٠٢٠ - ٢٠٢٠
4	٢٠٢٠ - ٢٠٢٠ (٢٠٢٠ - ٢٠٢٠)
5	٢٠٢٠ - ٢٠٢٠ (3)
6	٢٠٢٠ - ٢٠٢٠
7	٢٠٢٠ - ٢٠٢٠
8	6.1
9	٢٠٢٠ - ٢٠٢٠ (7)
10	٢٠٢٠ - ٢٠٢٠
٢٠٢٠ - ٢٠٢٠	
11	٢٠٢٠ - ٢٠٢٠ (٢٠٢٠ - ٢٠٢٠)
12	٢٠٢٠ - ٢٠٢٠ (٢٠٢٠ - ٢٠٢٠)
13	٢٠٢٠ - ٢٠٢٠ (3)
٢٠٢٠ - ٢٠٢٠	
14	٢٠٢٠ - ٢٠٢٠
15	٢٠٢٠ - ٢٠٢٠
16	٢٠٢٠ - ٢٠٢٠
17	٢٠٢٠ - ٢٠٢٠
٢٠٢٠ - ٢٠٢٠	
18	٢٠٢٠ - ٢٠٢٠ (3)
19	٢٠٢٠ - ٢٠٢٠ (8)





ಹೆಸರು	ನಂ	ನಂ	ನಂ	ನಂ

3

ನಂ

1. ನಂ

ನಂ	ನಂ
	ನಂ
	ನಂ
	ನಂ
	ನಂ
	ನಂ
	ನಂ
	ನಂ
	ನಂ
	ನಂ

2. ನಂ

ನಂ	ನಂ
	ನಂ
	ನಂ
	ನಂ
	ನಂ
	ನಂ
	ನಂ
	ನಂ
	ನಂ
	ನಂ

3. ನಂ

	1
	2
	3
	4
	5
	6
	7
	8
	9
	10



## 4. ބަލާ ބަލާ

### މި ބަލާ ބަލާ ބަލާ ބަލާ ބަލާ

މި ބަލާ ބަލާ ބަލާ ބަލާ ބަލާ			
މި ބަލާ ބަލާ ބަލާ ބަލާ ބަލާ (މި ބަލާ ބަލާ ބަލާ ބަލާ ބަލާ)	މި ބަލާ ބަލާ ބަލާ ބަލާ ބަލާ	މި ބަލާ ބަލާ ބަލާ ބަލާ ބަލާ	#
			1
			2
			3
			4
			5
މި ބަލާ ބަލާ			

### މި ބަލާ ބަލާ ބަލާ ބަލާ ބަލާ

	މި ބަލާ ބަލާ ބަލާ ބަލާ ބަލާ
	މި ބަލާ ބަލާ ބަލާ ބަލާ ބަލާ
	މި ބަލާ ބަލާ ބަލާ ބަލާ ބަލާ
	މި ބަލާ ބަލާ ބަލާ ބަލާ ބަލާ
	މި ބަލާ ބަލާ ބަލާ ބަލާ ބަލާ
	މި ބަލާ ބަލާ ބަލާ ބަލާ ބަލާ
	މި ބަލާ ބަލާ ބަލާ ބަލާ ބަލާ
	މި ބަލާ ބަލާ ބަލާ ބަލާ ބަލާ
	މި ބަލާ ބަލާ ބަލާ ބަލާ ބަލާ

5 ބަލާލާ 5

3 (ބަލާލާ) 1 ބަލާލާ ބަލާލާ ބަލާލާ ބަލާލާ ބަލާލާ

ބަލާލާ ބަލާލާ ބަލާލާ ބަލާލާ ބަލާލާ (ބަލާލާ ބަލާލާ ބަލާލާ ބަލާލާ ބަލާލާ)				
#	ބަލާލާ ބަލާލާ	ބަލާލާ ބަލާލާ	ބަލާލާ ބަލާލާ	ބަލާލާ ބަލާލާ
1.				
2.				
3.				
4.				
5.				
6.				
7.				
8.				
9.				
10.				

ބަލާލާ ބަލާލާ ބަލާލާ ބަލާލާ

ބަލާލާ ބަލާލާ: \_\_\_\_\_  
 ބަލާލާ: \_\_\_\_\_  
 ބަލާލާ: \_\_\_\_\_  
 ބަލާލާ ބަލާލާ ބަލާލާ: \_\_\_\_\_  
 ބަލާލާ: \_\_\_\_\_  
 ބަލާލާ: \_\_\_\_\_  
 ބަލާލާ ބަލާލާ: \_\_\_\_\_





## Form of Tender Security (Bank Guarantee)

The Issuing Bank shall fill in this Bank Guarantee Form in accordance with the instructions indicated.

..... {Bank's Name, and Address of Issuing Branch or Office}

**Beneficiary:** {Name and Address of Employer}

**Date:**

**TENDER GUARANTEE No.:** \_\_\_\_\_

We have been informed that \_\_\_\_\_ {name of the Tenderer} (hereinafter called "the Tenderer") has submitted to you its Tender dated \_\_\_\_\_ (hereinafter called "the Tender") for the execution of \_\_\_\_\_ {name of contract} under Invitation for Tenders No. \_\_\_\_\_ ("the IFB").

Furthermore, we understand that, according to your conditions, Tenders must be supported by a Tender guarantee.

At the request of the Tenderer, we \_\_\_\_\_ {name of Bank} hereby irrevocably undertake to pay you any sum or sums not exceeding in total an amount of \_\_\_\_\_ [amount in figures] (\_\_\_\_\_)

[amount in words] upon receipt by us of your first demand in writing accompanied by a written statement stating that the Tenderer is in breach of its obligation(s) under the Tender conditions, because the Tenderer:

(a) has withdrawn its Tender during the period of Tender validity specified by the Tenderer in the Form of Tender; or

(b) having been notified of the acceptance of its Tender by the Employer during the period of Tender validity, (i) fails or refuses to execute the Contract Form, if required, or (ii) fails or refuses to furnish the performance security, in accordance with the ITB.

This guarantee will expire: (a) if the Tenderer is the successful Tenderer, upon our receipt of copies of the contract signed by the Tenderer and the performance security issued to you upon the instruction of the Tenderer; and (b) if the Tenderer is not the successful Tenderer, upon the earlier of (i) our receipt of a copy your notification to the Tenderer of the name of the successful Tenderer; or (ii) {insert date} twenty-eight days after the expiration of the Tenderer's Tender.

Consequently, any demand for payment under this guarantee must be received by us at the office on or before that date.

This guarantee is subject to the Uniform Rules for Demand Guarantees, ICC Publication No. 458

[Signature(s)]



## Performance Security

[The issuing bank, as requested by the successful Contractor, shall fill in this form in accordance with the instructions indicated]

**Date:** [insert date (as day, month, and year)]

**Title of the procurement:** [Insert general title of the procurement]

**Procurement Reference No:** [insert reference]

**Bank's Branch or Office:** [insert complete name of Guarantor]

**Beneficiary:** [insert complete name of Employer/Procuring Entity]

**Performance Guarantee No:**

We have been informed that ..... [name of the Contractor], (hereinafter called "the Contractor") has entered into Contract No. . . . . [procurement reference number of the Contract]. dated [insert day and month], [insert year], with you, for the execution of ..... [name of contract and brief description of Works] (hereinafter called "the Contract").

Furthermore, we understand that, according to the conditions of the Contract, a performance guarantee is required.

At the request of the Contractor, we ..... [name of the Bank] hereby irrevocably undertake to pay you any sum or sums not exceeding in total an amount of ..... [name of the currency and amount in figures] 1.... (. . . . . [amount in words]) such sum being payable in the types and proportions of currencies in which the Contract Price is payable, upon receipt by us of your first demand in writing accompanied by a written statement stating that the Contractor is in breach of its obligation(s) under the Contract, without your needing to prove or to show grounds for your demand or the sum specified therein.

This guarantee shall expire, no later than the .... day of . . . . ., . . . . . 2, and any demand for payment under it must be received by us at this office on or before that date. The Guarantor agrees to a one-time extension of this guarantee for a period not to exceed .... [six months] [one year], in response to the Employer's written request for such extension, such request to be presented to the Guarantor before the expiry of the guarantee.

This guarantee is subject to the Uniform Rules for Demand Guarantees, ICC Publication No. 458, except that subparagraph (ii) of Sub-article 20(a) is hereby excluded.

..... [Seal of Bank and Signature(s)]

### Note: -

All italicized text is for guidance on how to prepare this demand guarantee and shall be deleted from the final document.

**1** The Guarantor shall insert an amount representing the percentage of the Contract Price specified in the Contract and denominated either in the currency (ies) of the Contract or a freely convertible currency acceptable to the Employer.

**2** Insert the date twenty-eight days after the expected completion date. The Employer should note that in the event of an extension of the time for completion of the Contract, the Employer would need to request an extension of this guarantee from the Guarantor. Such request must be in writing and must be made prior to the expiration date established in the guarantee.





٩ ٢٠٢٠

٢٠٢٠ ٩ ٢٠٢٠

## Advance Payment Security

[The bank, as requested by the successful Contractor, shall fill in this form in accordance with the instructions indicated.]

Date: [insert date (as day, month, and year)]

Title of the Procurement: [Insert general title of the procurement]

Procurement Reference No: [insert reference]

[Issuing bank's letterhead]

**Beneficiary:** [insert legal name and address of Procuring Entity]

**ADVANCE PAYMENT GUARANTEE No.:** [insert Advance Payment Guarantee no.]

**Advance Payment Guarantee No:**

We have been informed that ..... [name of the Contractor] (hereinafter called "the Contractor") has entered into Contract No..... [procurement reference number of the Contract], dated [insert day and month], [insert year] with you, for the execution of ..... [name of contract and brief description of Works] (hereinafter called "the Contract").

Furthermore, we understand that, according to the Conditions of the Contract, an advance payment in the sum ..... [name of the currency and amount in figures] 1 (..... [amount in words]) is to be made against an advance payment guarantee.

At the request of the Contractor, we ..... [name of the Bank]. hereby irrevocably undertake to pay you any sum or sums not exceeding in total an amount of ..... [name of the currency and amount in figures] \* (..... [amount in words]) upon receipt by us of your first demand in writing accompanied by a written statement stating that the Contractor is in breach of its obligation under the Contract because the Contractor used the advance payment for purposes other than the costs of mobilization in respect of the Works.

It is a condition for any claim and payment under this guarantee to be made that the advance payment referred to above must have been received by the Contractor on its account number ..... [Contractor's account number]. at ..... [name and address of the Contractor's Bank].

The maximum amount of this guarantee shall be progressively reduced by the amount of the advance payment repaid by the Contractor as indicated in copies of interim statements or payment certificates which shall be presented to us. This guarantee shall expire, at the latest, upon our receipt of a copy of the interim payment certificate indicating that eighty (80) percent of the Contract Price has been certified for payment, or on the ..... day of ..... 2, whichever is earlier. Consequently, any demand for payment under this guarantee must be received by us at this office on or before that date. The Guarantor agrees to a one-time extension of this guarantee for a period not to exceed [six months] [one year], in response to the Employer's written request for such extension, such request to be presented to the Guarantor before the expiry of the guarantee.

This guarantee is subject to the Uniform Rules for Demand Guarantees, ICC Publication No. 458.

..... [Seal of Bank and Signature(s)] .....

### Note:

All italicized text is for guidance in preparing this demand guarantee and shall be deleted from the final document.

1 The Guarantor shall insert an amount representing the amount of the advance payment denominated either in the currency(ies) of the advance payment as specified in the Contract, or in a freely convertible currency acceptable to the Employer.

2 Insert the expected expiration date of the Time for Completion. The Employer should note that in the event of an extension of the time for completion of the Contract, the Employer would need to request an extension of this guarantee from the Guarantor. Such request must be in writing and must be made prior to the expiration date established in the guarantee.

