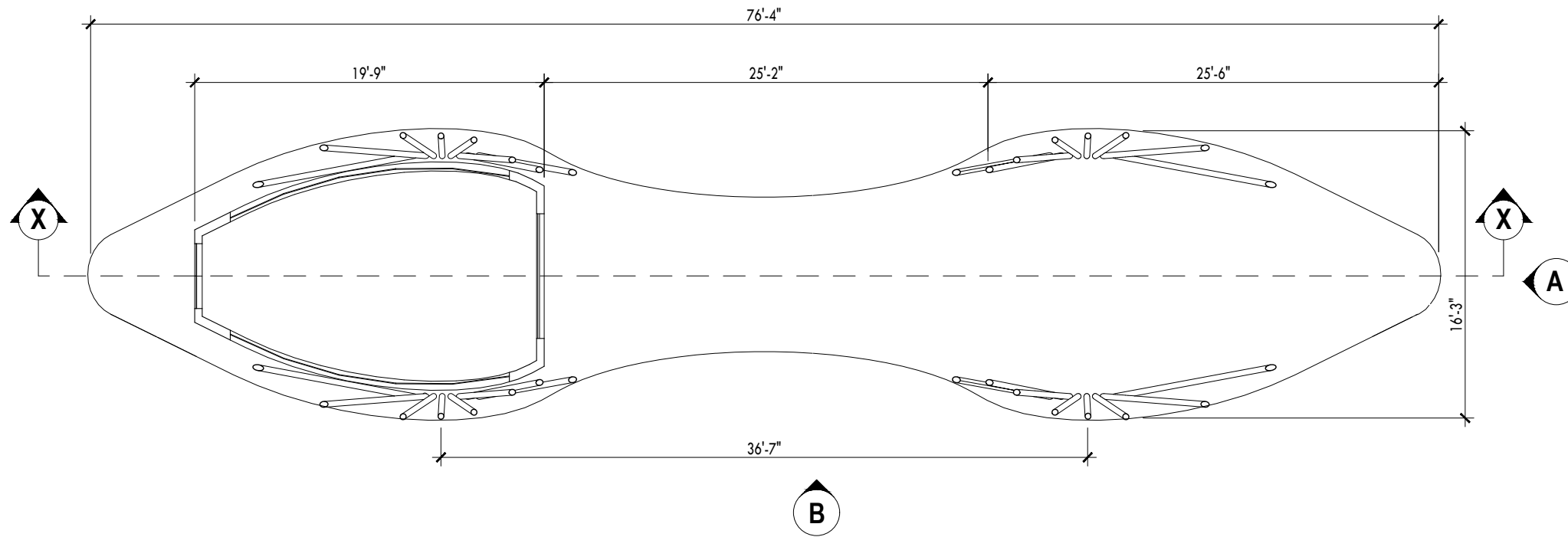


K. GURAI DHOO JETTY AREA - ROOF I

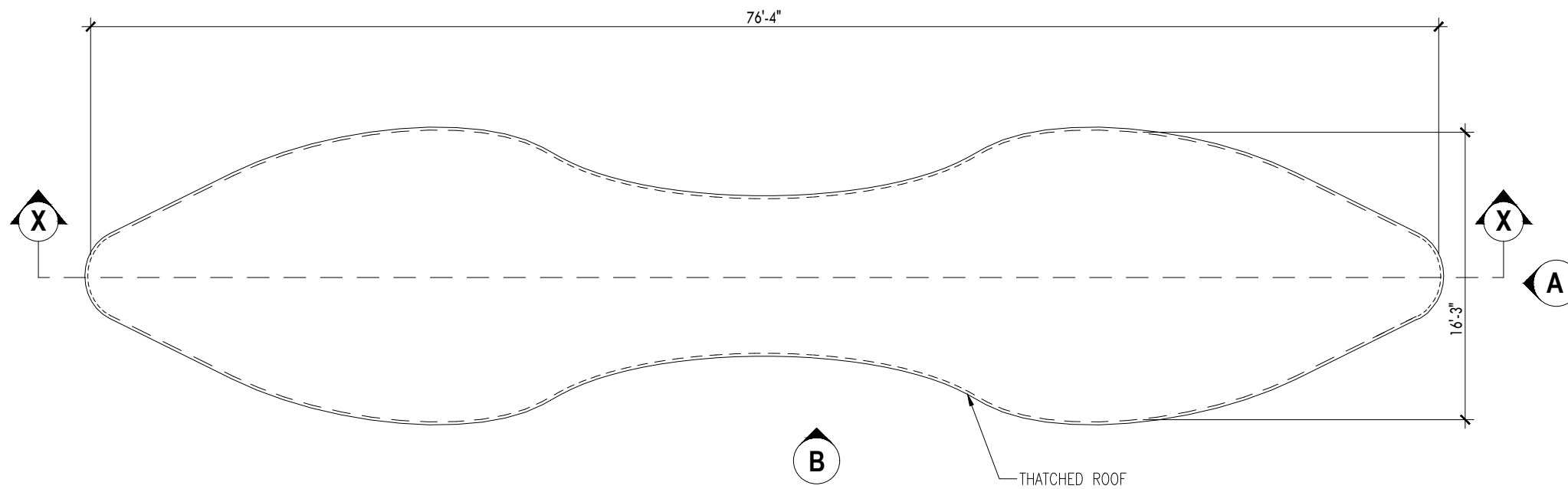
NOVEA ENGINEERING

PO Box 3013
Male', Maldives
m : +9609999413





FLOOR PLAN
SCALE 1:100



ROOF PLAN
SCALE 1:100

DEVELOPER &
CONCEPT ARCHITECT
**RASHEED CARPENTRY
AND CONSTRUCTION**

CONSULTANT
NOVEA ENGINEERING
PO Box 3013
Male', Maldives
m : +9609999413

PROJECT :
K. GURAI DHOO JETTY AREA - ROOF 1

	REVISIONS
1	
2	

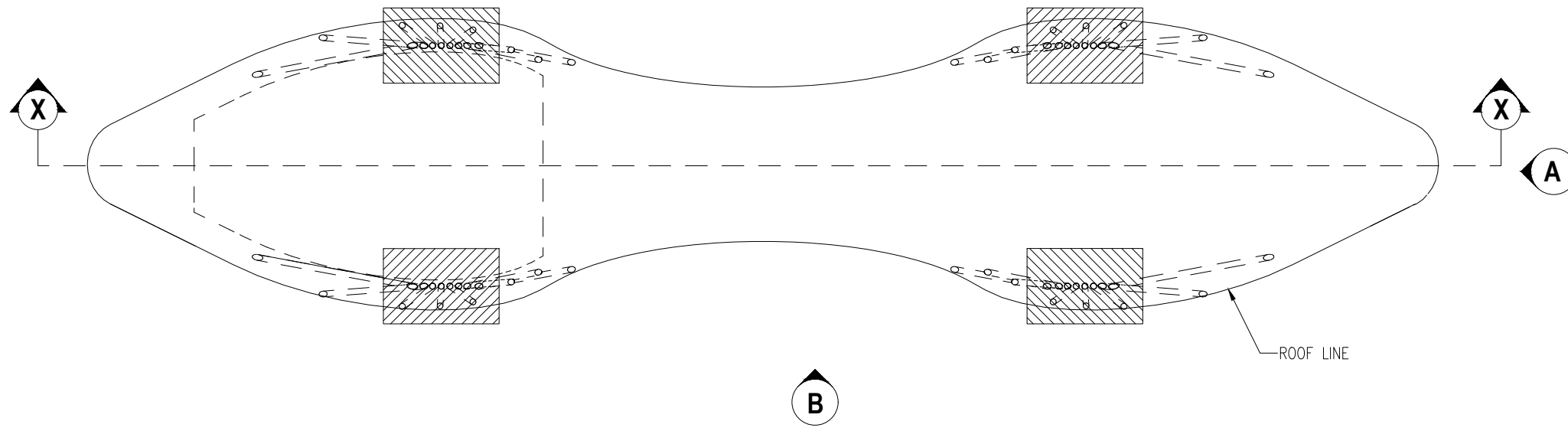
DRAWING TITLE:
FLOOR PLAN & ROOF PLAN

SCALE: 1:100

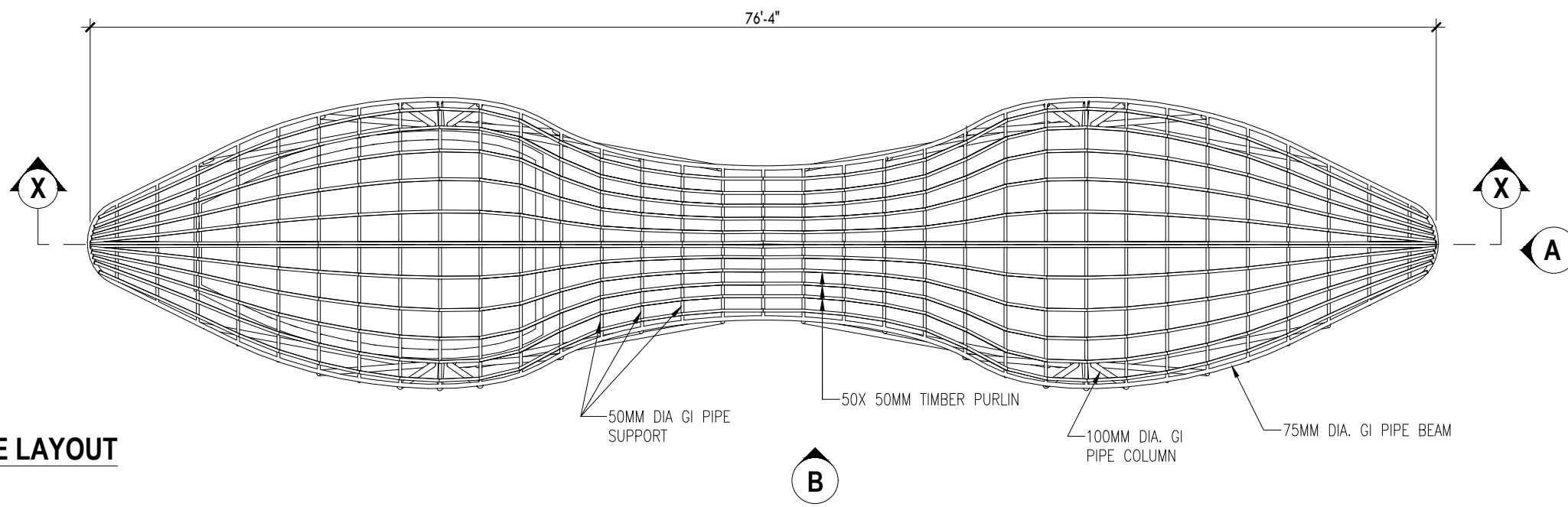
DATE: 06 SEPTEMBER 2023

PAGE NO.:

01/04



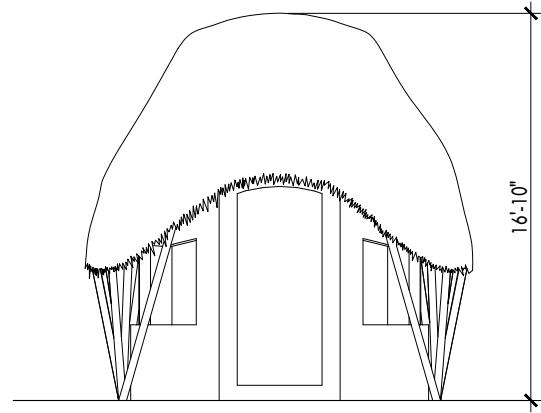
FOOTING LAYOUT
SCALE 1:100



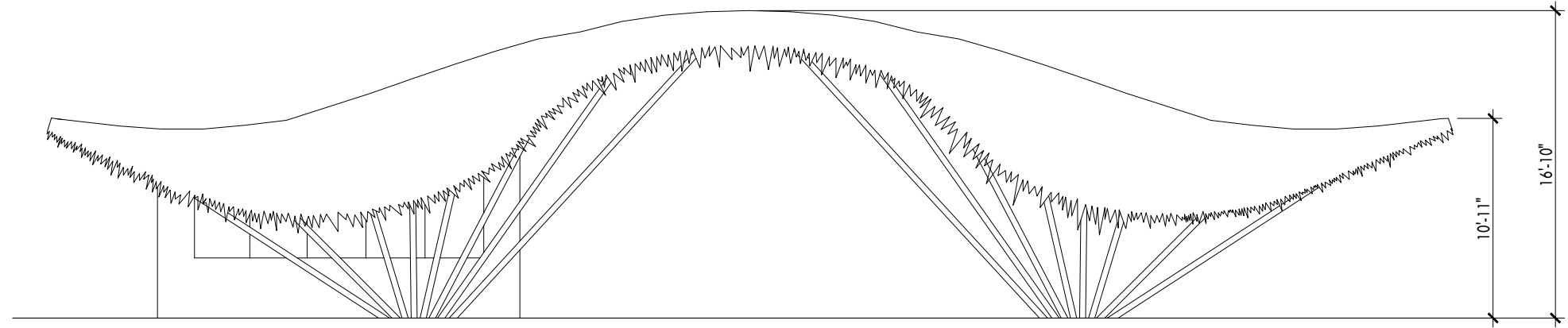
ROOF STRUCTURE LAYOUT
SCALE 1:100

DEVELOPER & CONCEPT ARCHITECT  RASHEED CARPENTRY AND CONSTRUCTION	CONSULTANT NOVEA ENGINEERING PO Box 3013 Male', Maldives m : +9609999413	PROJECT : K. GURAIHOO JETTY AREA - ROOF 1	REVISIONS		DRAWING TITLE: FOOTING LAYOUT & ROOF STRUCTURE LAYOUT		PAGE NO.: 02/04
			1			SCALE: 1:100	
			2				

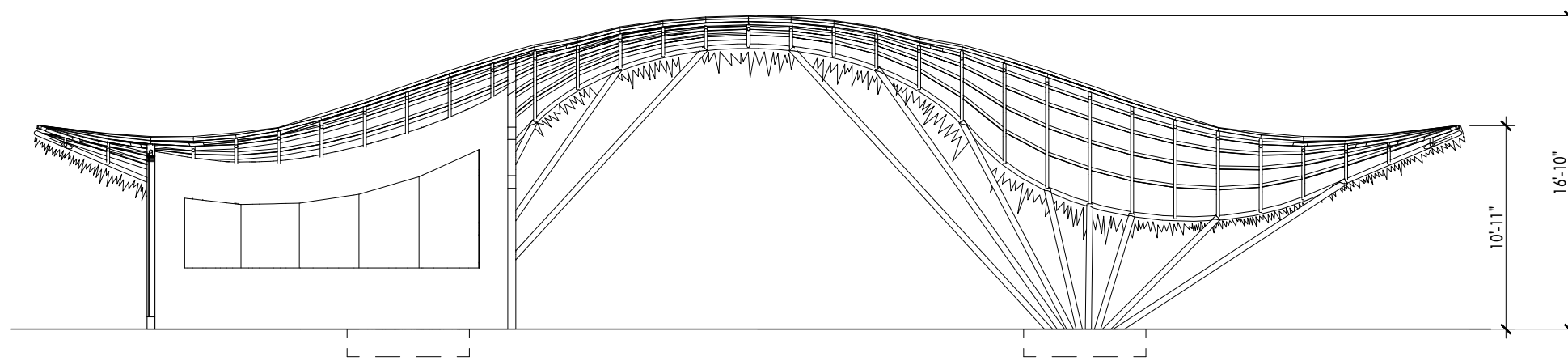
NOTE: ALL DESIGNS ABOVE ARE PROTECTED BY COPYRIGHT. NO PART SHOULD BE REPRODUCED (PHOTOCOPIED OR ANY OTHER MEANS) WITHOUT PERMISSION .



ELEVATION A
SCALE 1:100



ELEVATION B
SCALE 1:100



SECTION X-X
SCALE 1:100

DEVELOPER &
CONCEPT ARCHITECT
**RASHEED CARPENTRY
AND CONSTRUCTION**

CONSULTANT
NOVEA ENGINEERING
PO Box 3013
Male', Maldives
m : +9609999413

PROJECT :
K. GURAIIDHOO JETTY AREA - ROOF 1

	REVISIONS
1	
2	

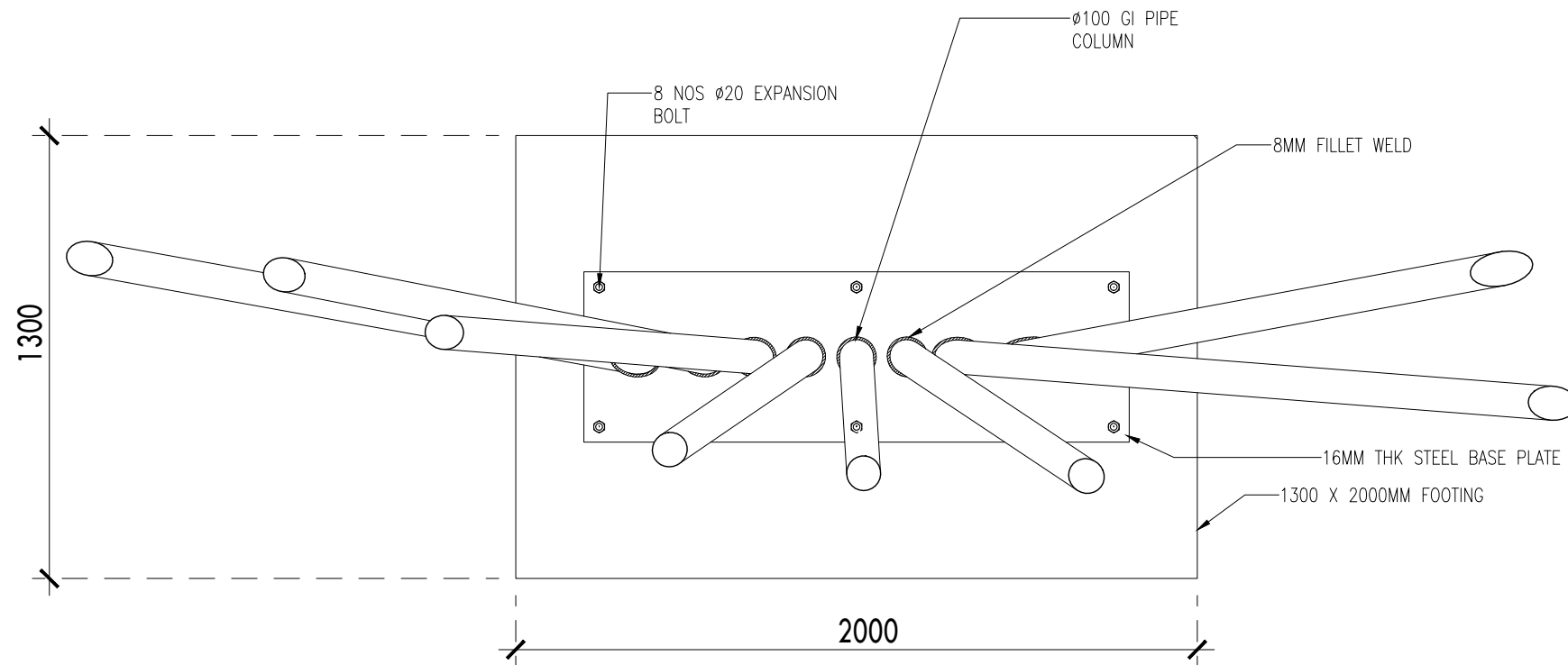
DRAWING TITLE:
ELEVATION A, ELEVATION B, & SECTION X-X

SCALE: **1:100**

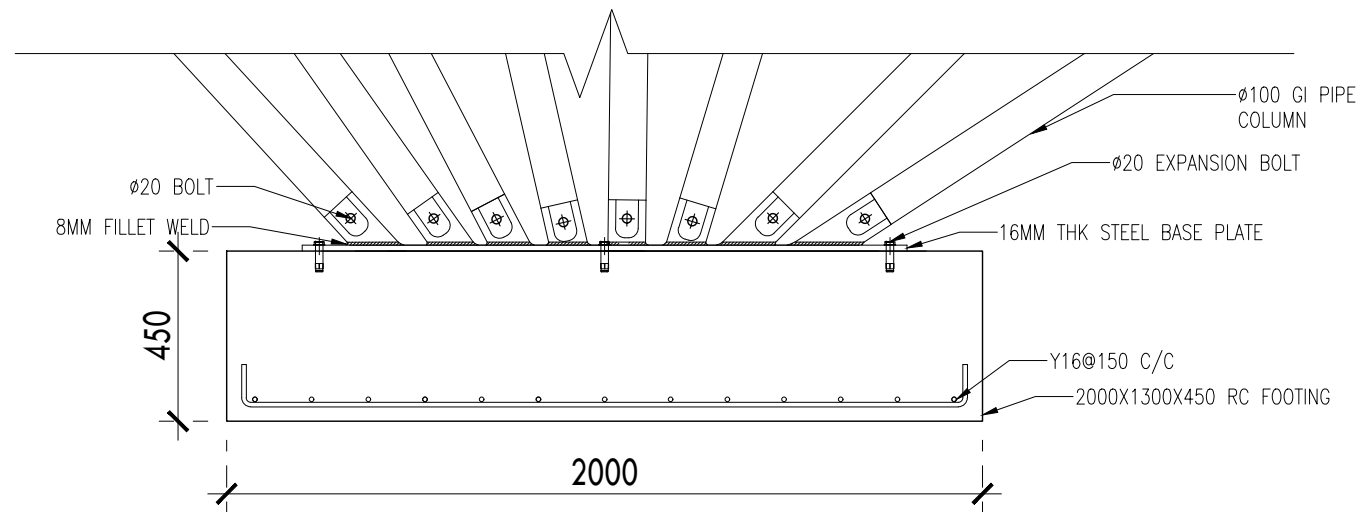
DATE: **06 SEPTEMBER 2023**

PAGE NO.:

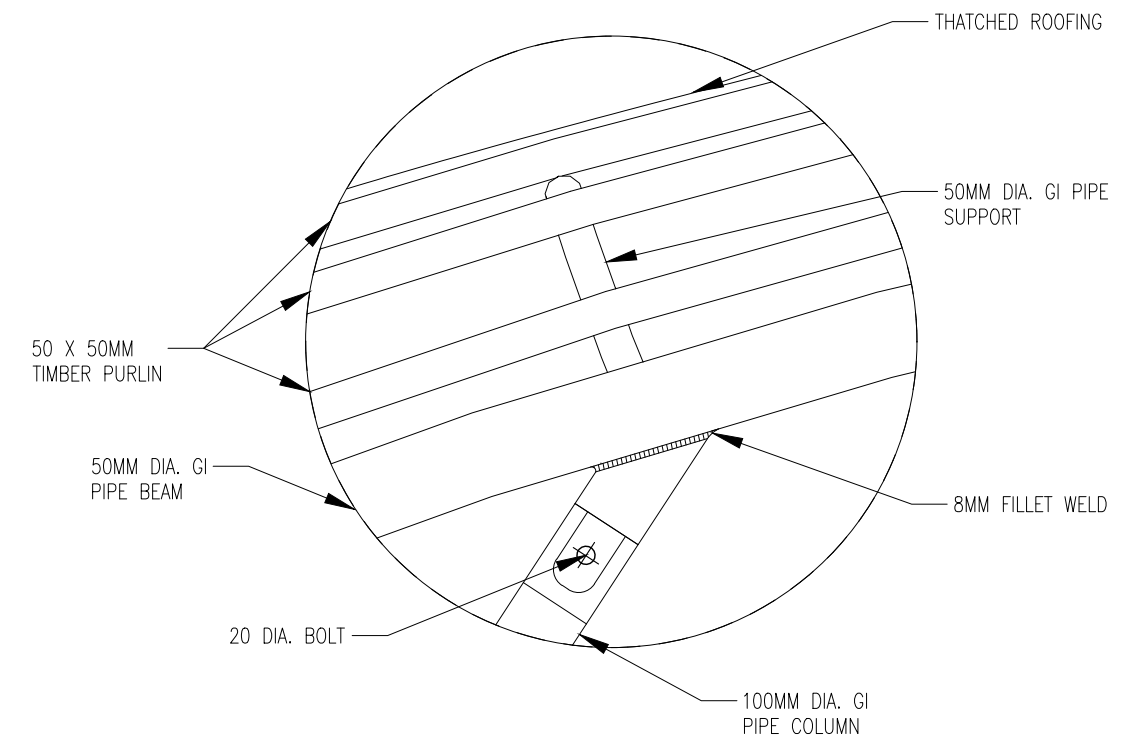
03/04



FOOTING DETAIL - PLAN VIEW
SCALE 1:20



FOOTING DETAIL - SECTION
SCALE 1:20



COLUMN TO ROOF BEAM CONNECTION DETAIL
SCALE 1:10