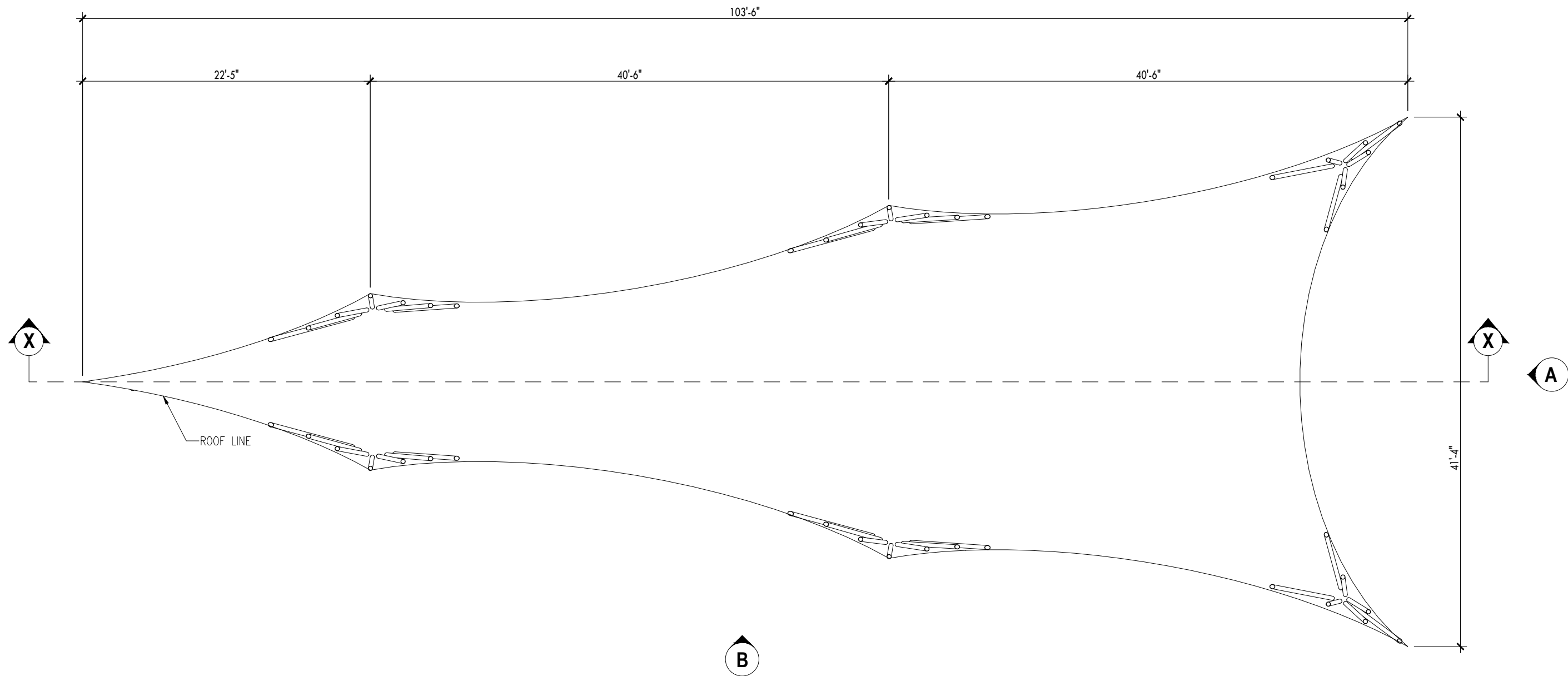


K. GURAI DHOO JETTY AREA - ROOF 2

NOVEA ENGINEERING

PO Box 3013
Male', Maldives
m : +9609999413





FLOOR PLAN
SCALE 1:100

DEVELOPER & CONCEPT ARCHITECT  RASHEED CARPENTRY AND CONSTRUCTION	CONSULTANT NOVEA ENGINEERING PO Box 3013 Male', Maldives m : +9609999413	PROJECT : K. GURAIHOO JETTY AREA - ROOF 2		REVISIONS		DRAWING TITLE: FLOOR PLAN	PAGE NO.: 01/07
			1				
			2				

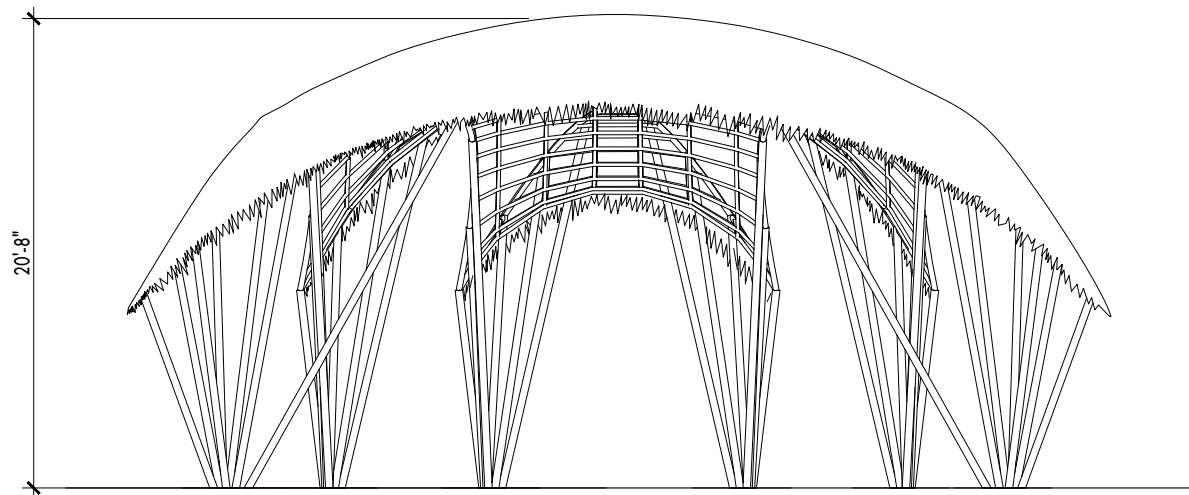
NOTE: ALL DESIGNS ABOVE ARE PROTECTED BY COPYRIGHT. NO PART SHOULD BE REPRODUCED (PHOTOCOPIED OR ANY OTHER MEANS) WITHOUT PERMISSION .



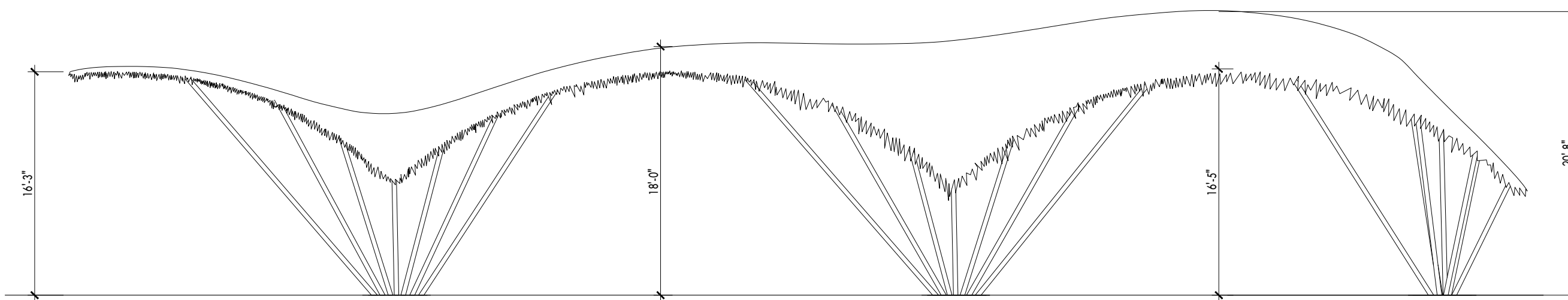
ROOF PLAN
SCALE 1:100

DEVELOPER & CONCEPT ARCHITECT  RASHEED CARPENTRY AND CONSTRUCTION	CONSULTANT NOVEA ENGINEERING PO Box 3013 Male', Maldives m : +9609999413	PROJECT : K. GURAI DHOO JETTY AREA - ROOF 2		REVISIONS	DRAWING TITLE: ROOF PLAN	PAGE NO.: 02/07
			1			
			2			

NOTE: ALL DESIGNS ABOVE ARE PROTECTED BY COPYRIGHT. NO PART SHOULD BE REPRODUCED (PHOTOCOPIED OR ANY OTHER MEANS) WITHOUT PERMISSION .



ELEVATION A
SCALE 1:100



ELEVATION B
SCALE 1:100

DEVELOPER &
CONCEPT ARCHITECT
**RASHEED CARPENTRY
AND CONSTRUCTION**

CONSULTANT
NOVEA ENGINEERING
PO Box 3013
Male', Maldives
m : +9609999413

PROJECT :
K. GURAIHOO JETTY AREA - ROOF 2

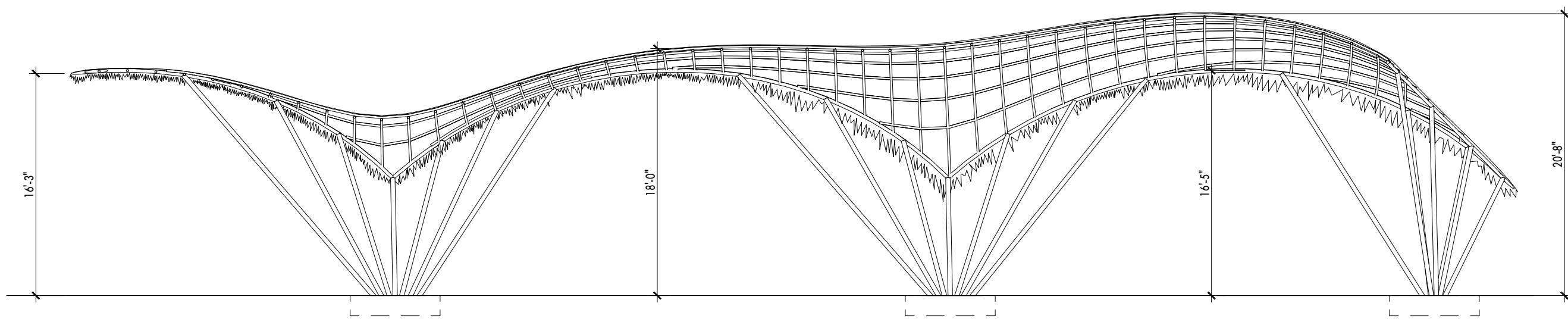
	REVISIONS
1	
2	

DRAWING TITLE:
ELEVATION A & ELEVATION B

SCALE: 1:100

DATE: 06 SEPTEMBER 2023

PAGE NO.:
03/07



SECTION X-X
SCALE 1:100

DEVELOPER &
CONCEPT ARCHITECT
**RASHEED CARPENTRY
AND CONSTRUCTION**

CONSULTANT
NOVEA ENGINEERING
PO Box 3013
Male', Maldives
m : +9609999413

PROJECT :
K. GURAI DHOO JETTY AREA - ROOF 2

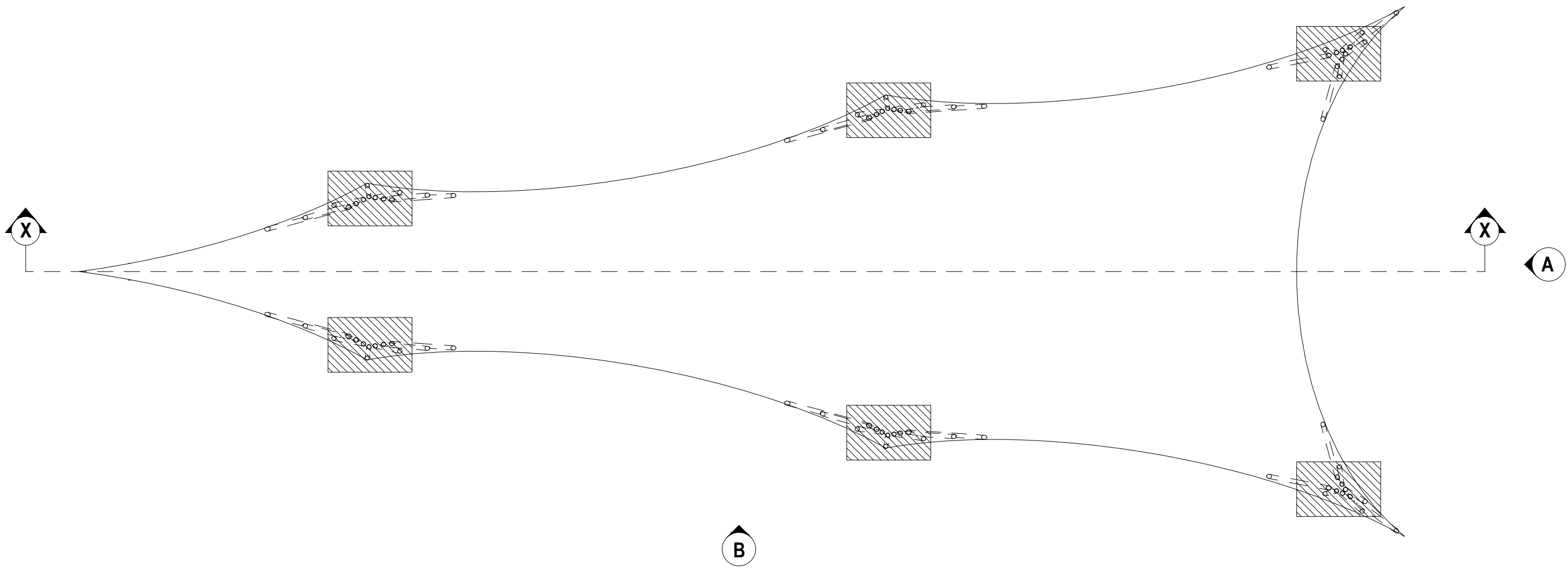
	REVISIONS
1	
2	

DRAWING TITLE:
SECTION X-X

SCALE: 1:100 DATE: 06 SEPTEMBER 2023

PAGE NO.:
04/07

NOTE: ALL DESIGNS ABOVE ARE PROTECTED BY COPYRIGHT. NO PART SHOULD BE REPRODUCED (PHOTOCOPIED OR ANY OTHER MEANS) WITHOUT PERMISSION .



FOOTING LAYOUT
SCALE 1:100

DEVELOPER &
CONCEPT ARCHITECT
**RASHEED CARPENTRY
AND CONSTRUCTION**

CONSULTANT
NOVEA ENGINEERING
PO Box 3013
Male', Maldives
m : +9609999413

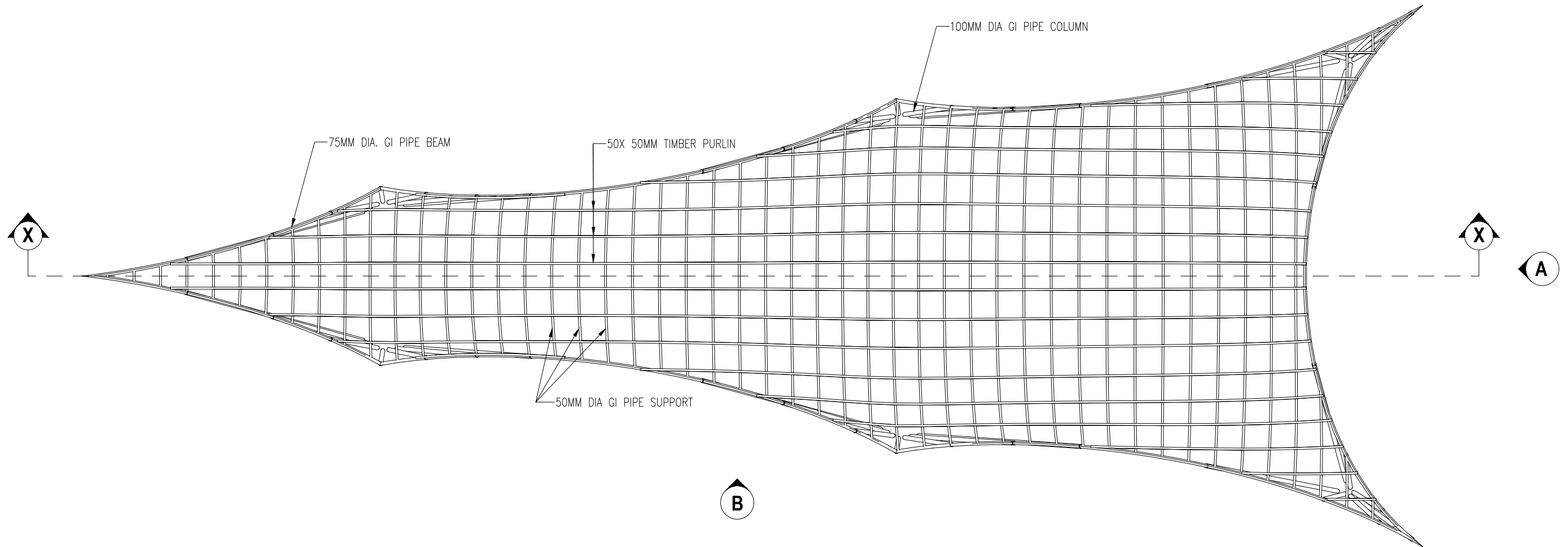
PROJECT :
K. GURAIHOO JETTY AREA - ROOF 2

	REVISIONS
1	
2	

DRAWING TITLE:
FOOTING LAYOUT

SCALE: 1:100 DATE: 06 SEPTEMBER 2023

PAGE NO.:
05/07



ROOF STRUCTURE LAYOUT
SCALE 1:100

DEVELOPER &
CONCEPT ARCHITECT
**RASHEED CARPENTRY
AND CONSTRUCTION**

CONSULTANT
NOVEA ENGINEERING
PO Box 3013
Male', Maldives
m : +9609999413

PROJECT :
K. GURAIHOO JETTY AREA - ROOF 2

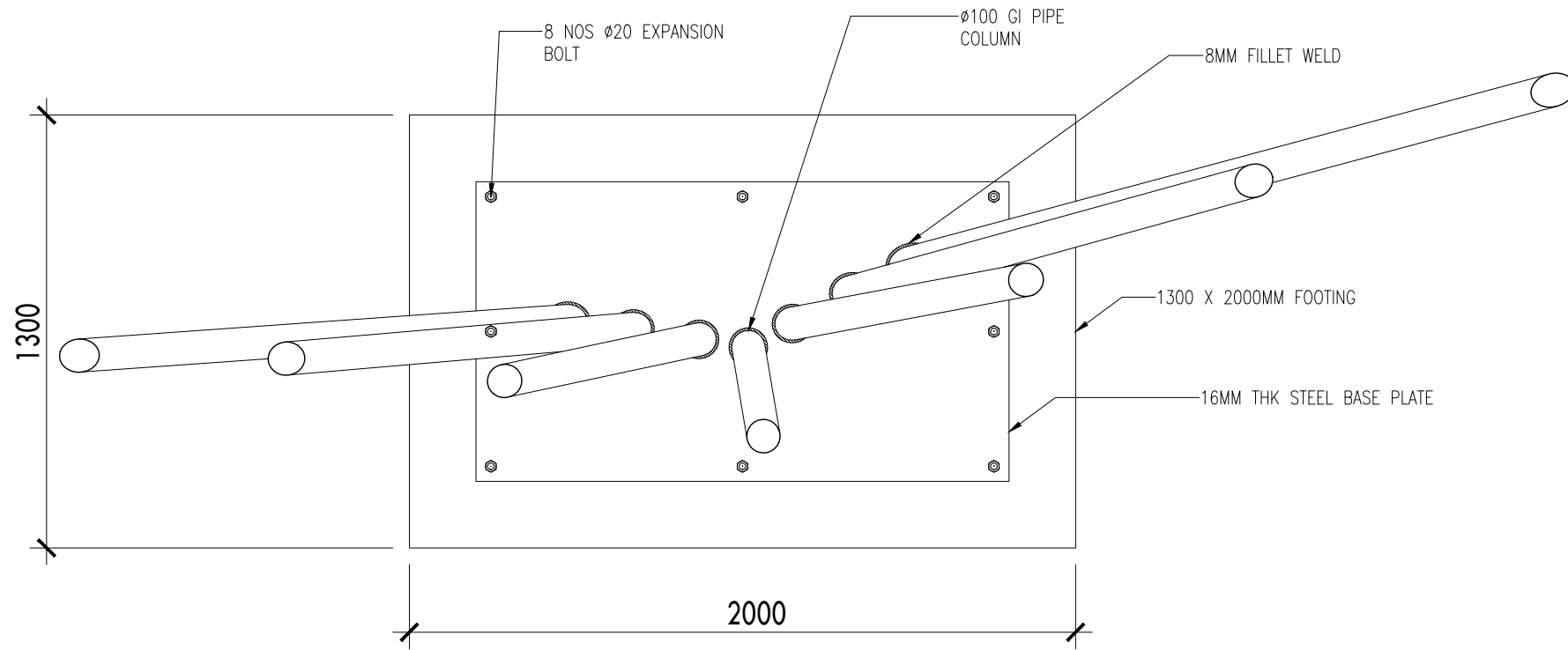
	REVISIONS
1	
2	

DRAWING TITLE:
ROOF STRUCTURE LAYOUT

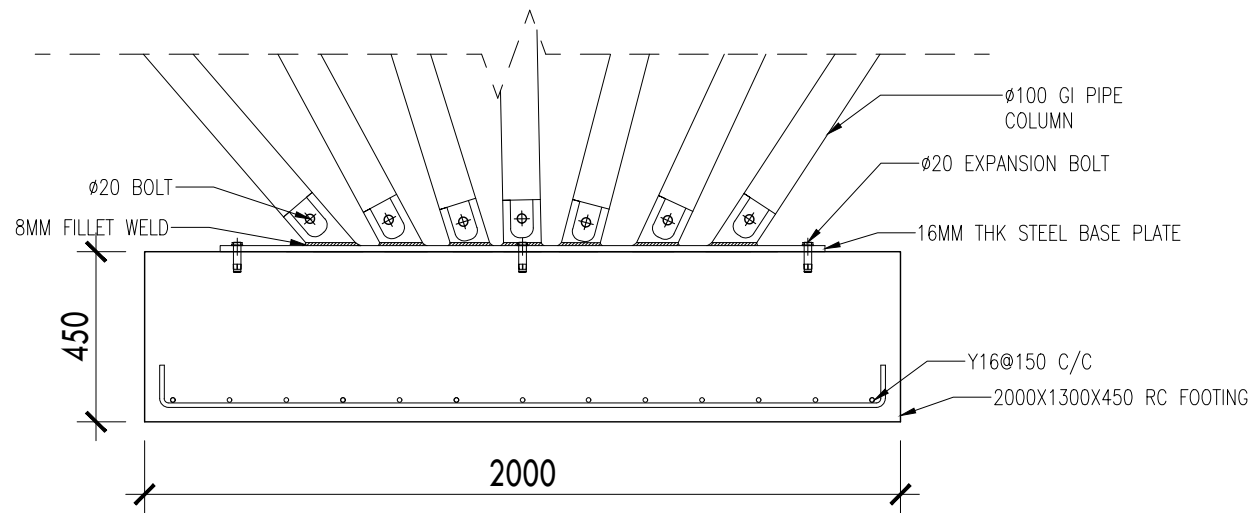
SCALE: 1:100 DATE: 06 SEPTEMBER 2023

PAGE NO.:
06/07

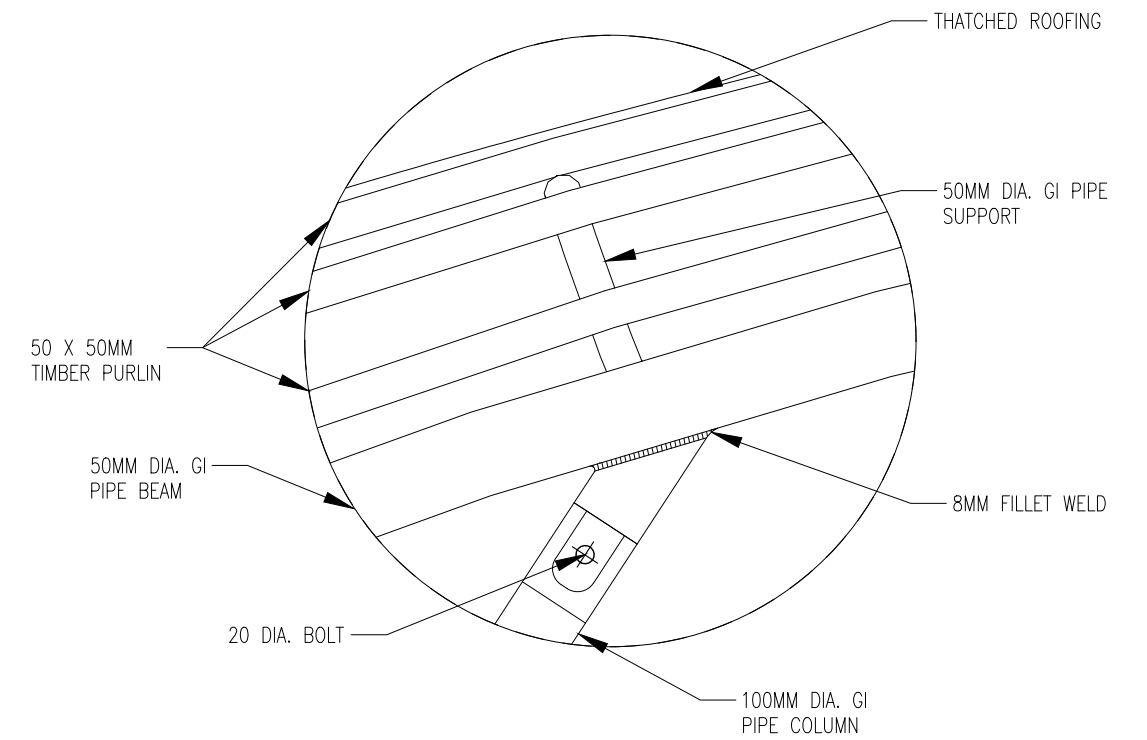
NOTE: ALL DESIGNS ABOVE ARE PROTECTED BY COPYRIGHT. NO PART SHOULD BE REPRODUCED (PHOTOCOPIED OR ANY OTHER MEANS) WITHOUT PERMISSION .



FOOTING DETAIL - PLAN VIEW
SCALE 1:20



FOOTING DETAIL - SECTION
SCALE 1:20



COLUMN TO ROOF BEAM CONNECTION DETAIL
SCALE 1:10