



PROPOSED FISH CUTTING PLATFORM

G.A. KONDEY - MALDIVES

CLIENT: G.A. KONDEY COUNCIL

ARCHITECTURAL, STRUCTURAL AND SERVICES DRAWINGS

CLIENT:
G.A. KONDEY COUNCIL

PROJECT:
FISH CUTTING PLATFORM
G.A. KONDEY

ARCHITECT:
AHUSAN ABDUL MUHUSIN

ENGINEER:
MOHAMED AHMEEM

SCALE: AS GIVEN

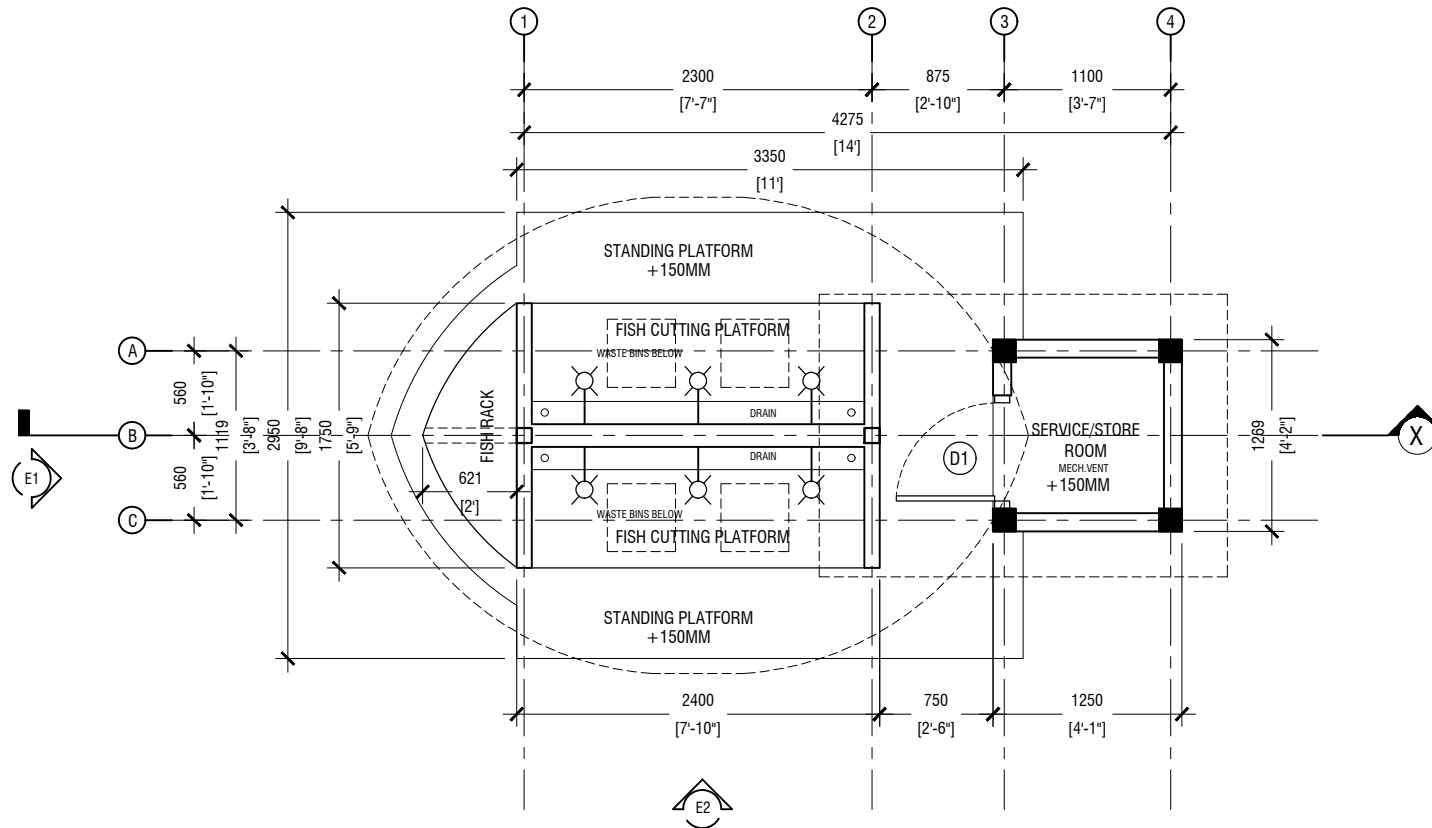
DRWNG TITLE : AS GIVEN

DATE: D07M09Y23

REVISION NO.: 00

FILE NAME:
//IDEARCH/2023/PROJECTS/COMMERCIAL/
FISH CUTTING PLATFORM

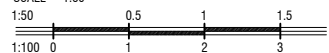
WARNING:
- This drawing shall not be used for construction unless certified.
- Contractor to verify all dimensions of existing works on site before commencing any work or preparing shop drawings.
- Do not scale drawings, use written dimensions only.
- This drawing is to be read in conjunction with the specifications and conditions of contract.
- This drawing and design is copyright and no portion may be reproduced without the permission of the ideArch designs.



NOTE:
ALL EXPOSED STEEL STRUCTURES TO BE COVERED WITH TIMBER CLADDING

FISH CUTTING PLATFORM FLOOR PLAN

SCALE = 1:50



A01

CLIENT:
G.A. KONDEY COUNCIL

PROJECT:
FISH CUTTING PLATFORM
G.A. KONDEY

ARCHITECT:
AHUSAN ABDUL MUHUSIN

ENGINEER:
MOHAMED AHMEEM

SCALE: AS GIVEN

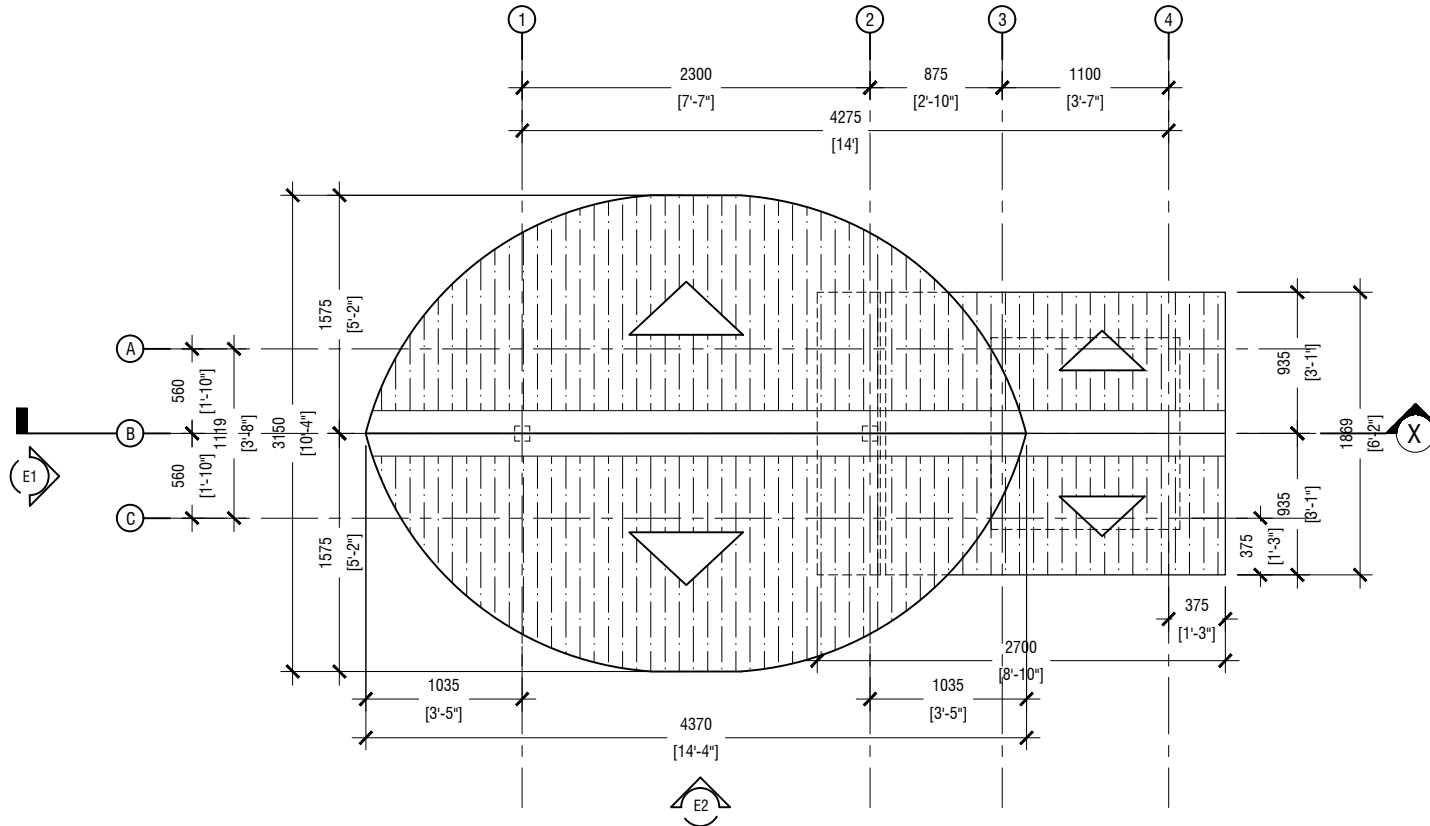
DRWNG TITLE : AS GIVEN

DATE: D07M09Y23

REVISION NO.: 00

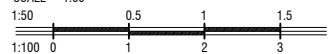
FILE NAME:
//IDEARCH/2023/PROJECTS/COMMERCIAL/
FISH CUTTING PLATFORM

WARNING:
- This drawing shall not be used for construction unless certified.
- Contractor to verify all dimensions of existing works on site before commencing any work or preparing shop drawings.
- Do not scale drawings, use written dimensions only.
- This drawing is to be read in conjunction with the specifications and conditions of contract.
- This drawing and design is copyright and no portion may be reproduced without the permission of the ideArch designs.



ROOF PLAN

SCALE = 1:50



A02

CLIENT:

G.A. KONDEY COUNCIL

PROJECT:

FISH CUTTING PLATFORM
G.A. KONDEY

ARCHITECT:

AHUSAN ABDUL MUHUSIN

ENGINEER:

MOHAMED AHMEEM

SCALE: AS GIVEN

DRWNG TITLE : AS GIVEN

DATE: D07M09Y23

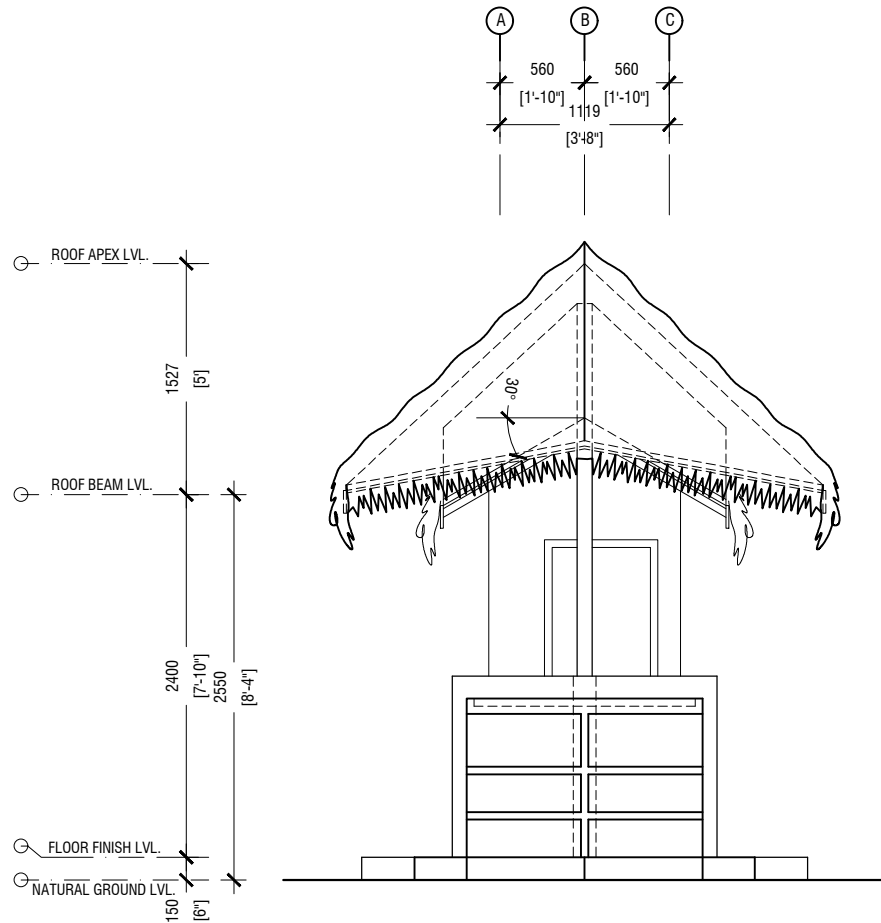
REVISION NO.: 00

FILE NAME:

///IDEARCH/2023/PROJECTS/COMMERCIAL/
FISH CUTTING PLATFORM

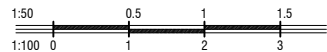
WARNING:

- This drawing shall not be used for construction unless certified.
- Contractor to verify all dimensions of existing works on site before commencing any work or preparing shop drawings.
- Do not scale drawings, use written dimensions only.
- This drawing is to be read in conjunction with the specifications and conditions of contract.
- This drawing and design is copyright and no portion may be reproduced without the permission of the ideArch designs.



ELEVATION E1

SCALE = 1:50



A03

CLIENT:

G.A. KONDEY COUNCIL

PROJECT:

FISH CUTTING PLATFORM
G.A. KONDEY

ARCHITECT:

AHUSAN ABDUL MUHUSIN

ENGINEER:

MOHAMED AHMEEM

SCALE: AS GIVEN

DRWNG TITLE : AS GIVEN

DATE: D07M09Y23

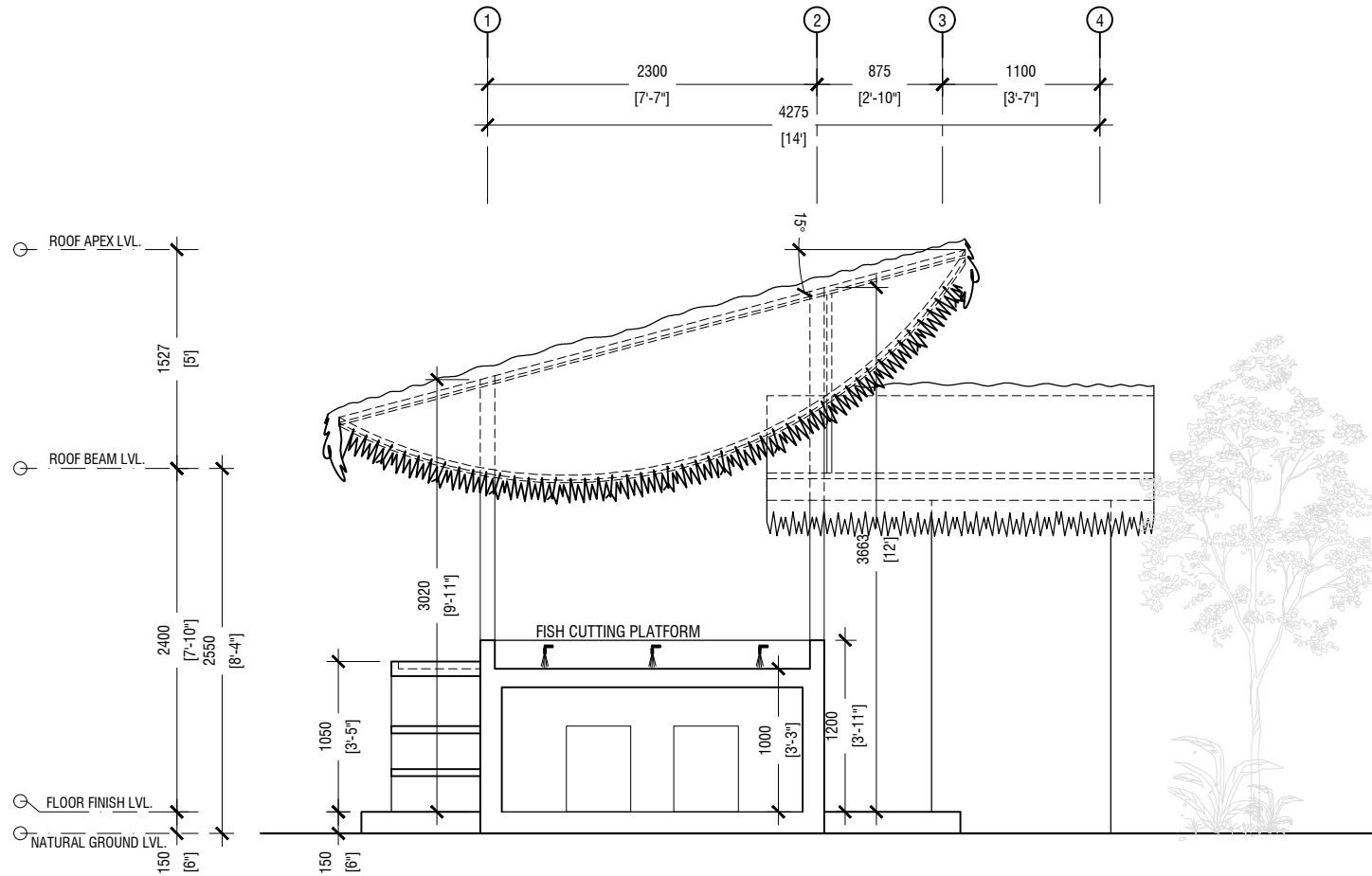
REVISION NO.: 00

FILE NAME:

///IDEARCH/2023/PROJECTS/COMMERCIAL/
FISH CUTTING PLATFORM

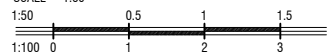
WARNING:

- This drawing shall not be used for construction unless certified.
- Contractor to verify all dimensions of existing works on site before commencing any work or preparing shop drawings.
- Do not scale drawings, use written dimensions only.
- This drawing is to be read in conjunction with the specifications and conditions of contract.
- This drawing and design is copyright and no portion may be reproduced without the permission of the ideArch designs.



ELEVATION E2

SCALE = 1:50



A04

CLIENT:
G.A. KONDEY COUNCIL

PROJECT:
FISH CUTTING PLATFORM
G.A. KONDEY

ARCHITECT:
AHUSAN ABDUL MUHUSIN

ENGINEER:
MOHAMED AHMEEM

SCALE: AS GIVEN

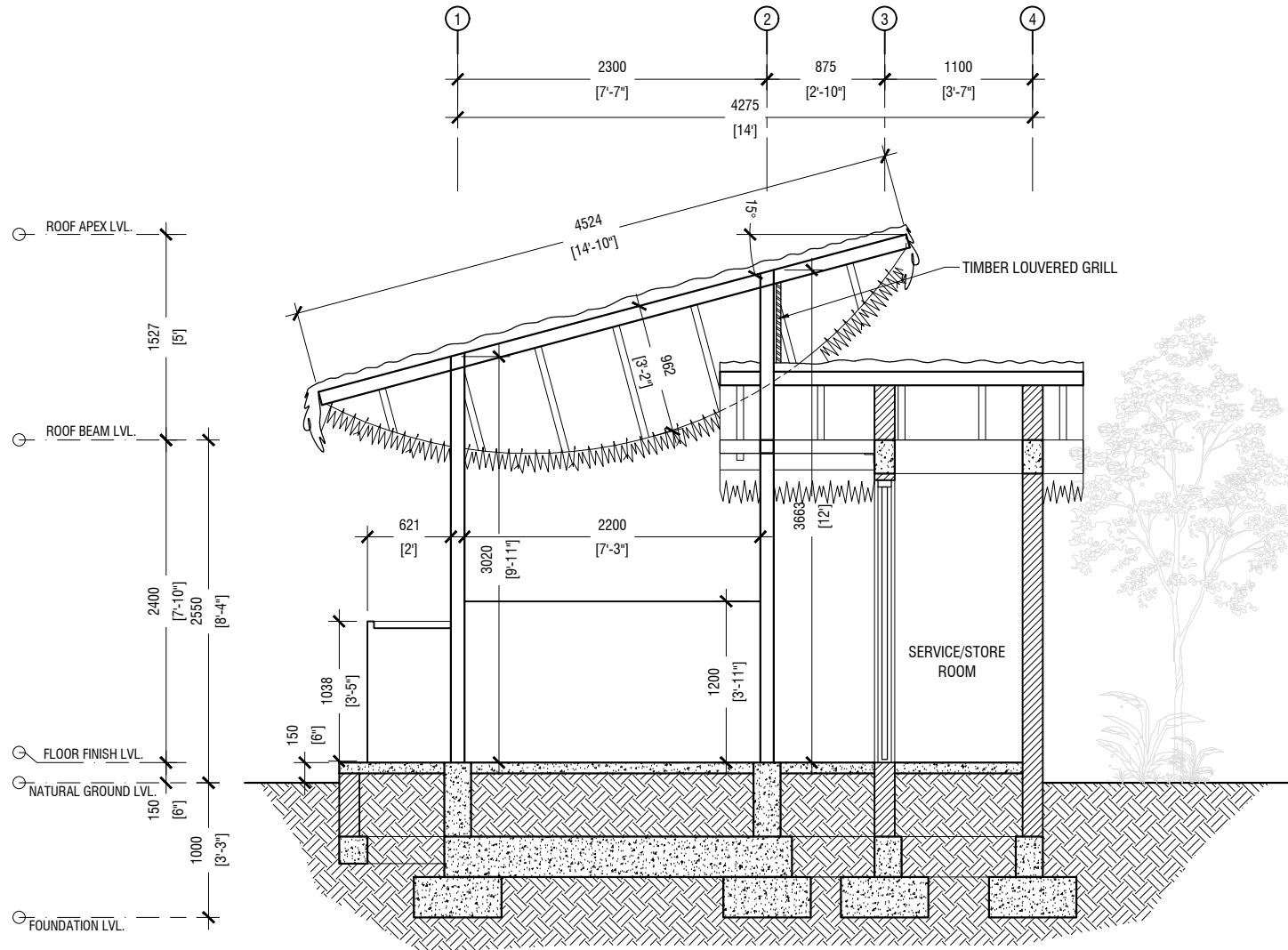
DRWNG TITLE : AS GIVEN

DATE: D07M09Y23

REVISION NO.: 00

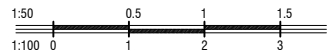
FILE NAME:
//IDEARCH/2023/PROJECTS/COMMERCIAL/
FISH CUTTING PLATFORM

WARNING:
- This drawing shall not be used for construction unless certified.
- Contractor to verify all dimensions of existing works on site before commencing any work or preparing shop drawings.
- Do not scale drawings, use written dimensions only.
- This drawing is to be read in conjunction with the specifications and conditions of contract.
- This drawing and design is copyright and no portion may be reproduced without the permission of the ideArch designs.



SECTION X-X

SCALE = 1:50



A05

CLIENT:
G.A. KONDEY COUNCIL

PROJECT:
**FISH CUTTING
PLATFORM**
G.A. KONDEY

ARCHITECT:
AHUSAN ABDUL MUHUSIN

ENGINEER:
MOHAMED AHMEEM

SCALE: AS GIVEN

DRWNG TITLE : AS GIVEN

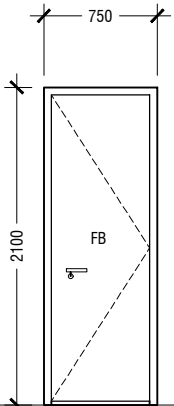
DATE: D07M09Y23

REVISION NO.: 00

FILE NAME:
//IDEARCH/2023/PROJECTS/COMMERCIAL/
FISH CUTTING PLATFORM

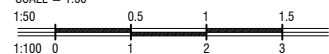
WARNING:
- This drawing shall not be used for construction unless certified.
- Contractor to verify all dimensions of existing works on site before commencing any work or preparing shop drawings.
- Do not scale drawings, use written dimensions only.
- This drawing is to be read in conjunction with the specifications and conditions of contract.
- This drawing and design is copyright and no portion may be reproduced without the permission of the ideArch designs.

A06

DOOR LABEL	D1
	
FFL	
DESCRIPTION	DOOR FRAME=FB+ PANEL=FB IRONMONGERY = S.S
VENTILATED AREA(M ²)	1.33
	NOTE: FB-FIBER BOARD

DOOR SCHEDULE

SCALE = 1:50



CLIENT:
G.A. KONDEY COUNCIL

PROJECT:
FISH CUTTING PLATFORM
G.A. KONDEY

ARCHITECT:
AHUSAN ABDUL MUHUSIN

ENGINEER:
MOHAMED AHMEEM

SCALE: AS GIVEN

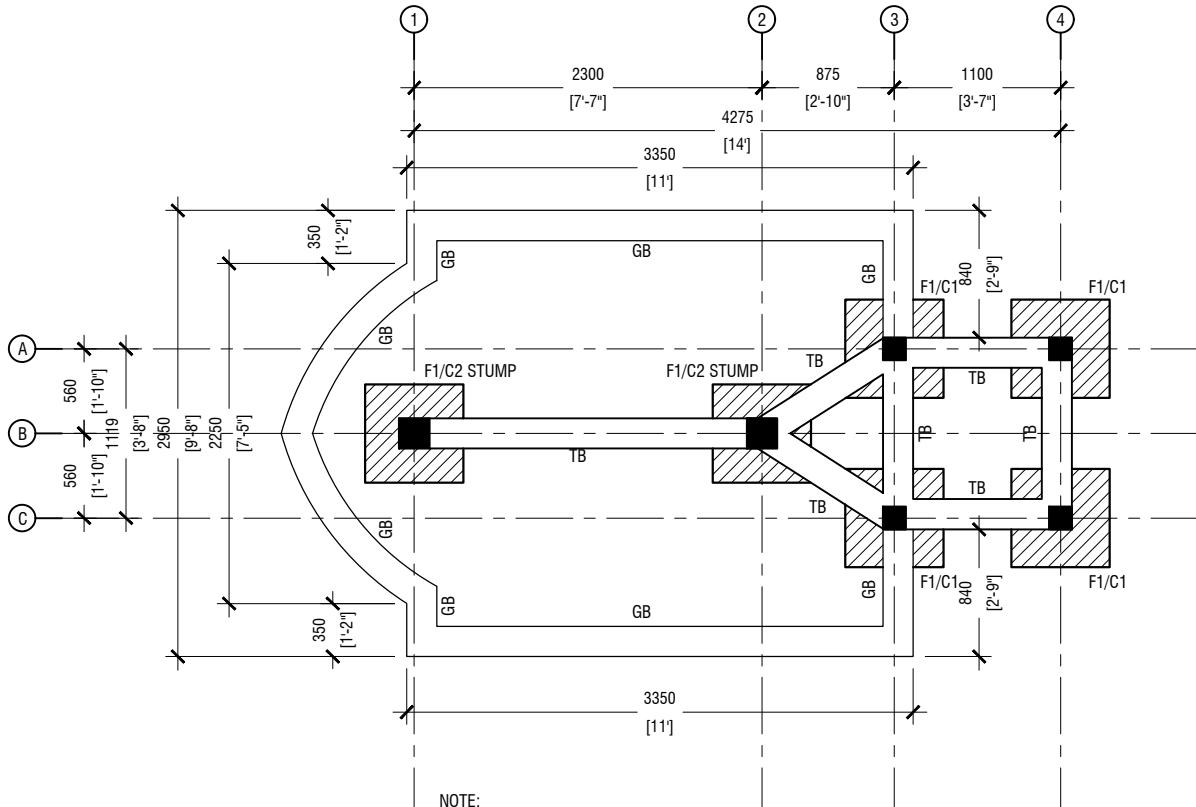
DRWNG TITLE : AS GIVEN

DATE: D07M09Y23

REVISION NO.: 00

FILE NAME:
//IDEARCH/2023/PROJECTS/COMMERCIAL/
FISH CUTTING PLATFORM

WARNING:
- This drawing shall not be used for construction unless certified.
- Contractor to verify all dimensions of existing works on site before commencing any work or preparing shop drawings.
- Do not scale drawings, use written dimensions only.
- This drawing is to be read in conjunction with the specifications and conditions of contract.
- This drawing and design is copyright and no portion may be reproduced without the permission of the ideArch designs.



NOTE:
F1= 650X650X300 (T12@125 BOT. B/W)

COVER=50mm

C1= 150x250mm (4T12, R6@150 C/C)

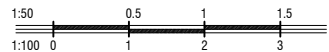
C2 COLUMN STUMP= 200x200mm (4T16, R6@150 C/C), UPTO +150MM ABOVE GROUND LVL)

GROUND SLAB IS 80MM THK (R6@200MM SINGLE NET)

FOUNDATION DEPTH = 1000MM

FOUNDATION PLAN

SCALE = 1:50



S01

CLIENT:
G.A. KONDEY COUNCIL

PROJECT:
FISH CUTTING PLATFORM
G.A. KONDEY

ARCHITECT:
AHUSAN ABDUL MUHUSIN

ENGINEER:
MOHAMED AHMEEM

SCALE: AS GIVEN

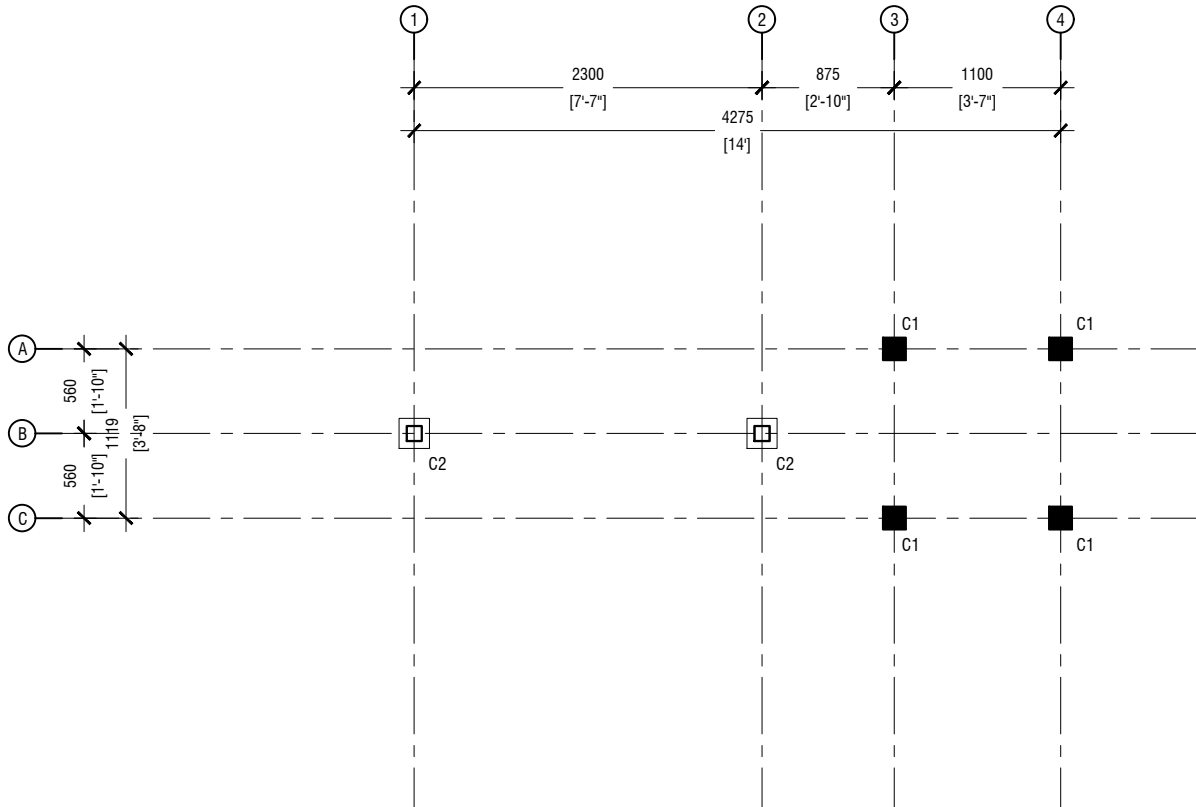
DRWNG TITLE : AS GIVEN

DATE: D07M09Y23

REVISION NO.: 00

FILE NAME:
//IDEARCH/2023/PROJECTS/COMMERCIAL/
FISH CUTTING PLATFORM

WARNING:
- This drawing shall not be used for construction unless certified.
- Contractor to verify all dimensions of existing works on site before commencing any work or preparing shop drawings.
- Do not scale drawings, use written dimensions only.
- This drawing is to be read in conjunction with the specifications and conditions of contract.
- This drawing and design is copyright and no portion may be reproduced without the permission of the ideArch designs.



NOTE:

C1 = 150x250mm (4T12, R6@150 C/C)

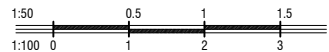
C2 COLUMN STUMP = 200x200mm (4T16, R6@150 C/C), UPTO +150MM ABOVE GROUND LVL)

COVER = 40mm

C2 = 100x100 x 3.6mm SHS (1NOS)

COLUMN LOCATION PLAN

SCALE = 1:50



S02

CLIENT:
G.A. KONDEY COUNCIL

PROJECT:
FISH CUTTING PLATFORM
G.A. KONDEY

ARCHITECT:
AHUSAN ABDUL MUHUSIN

ENGINEER:
MOHAMED AHMEEM

SCALE: AS GIVEN

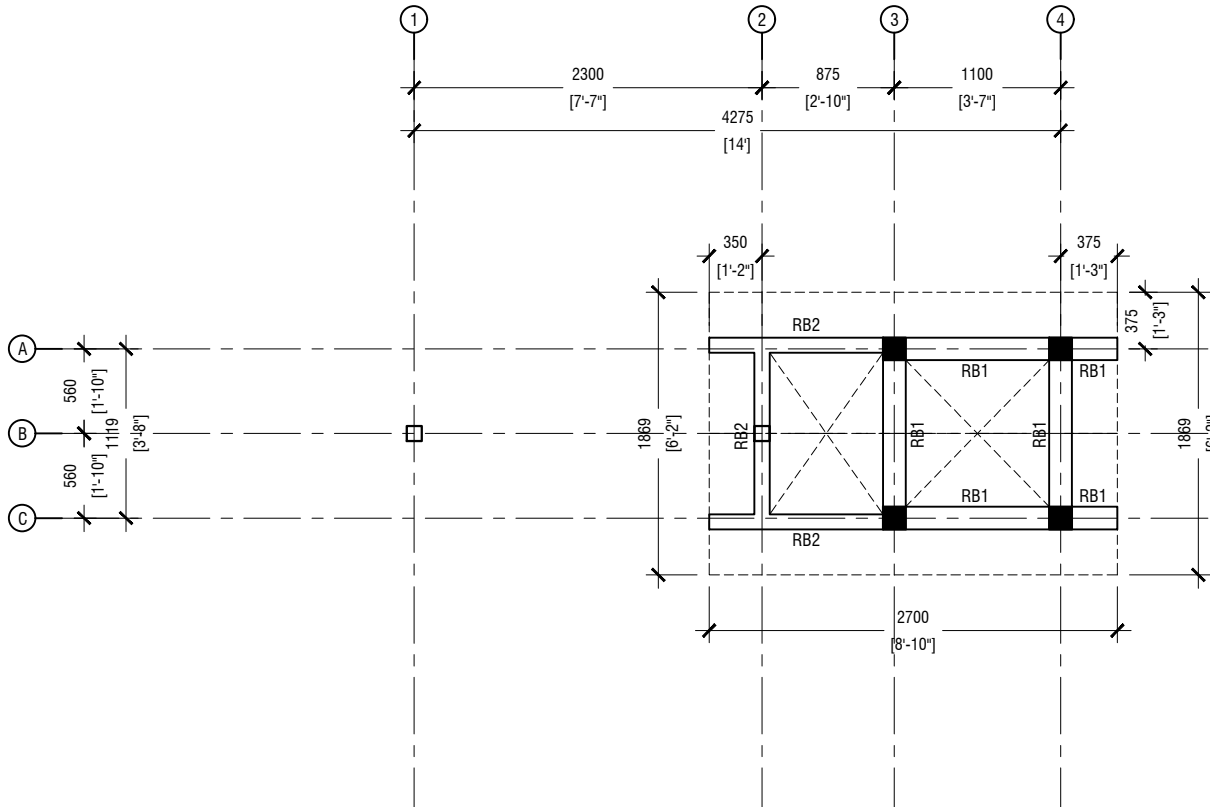
DRWNG TITLE : AS GIVEN

DATE: D07M09Y23

REVISION NO.: 00

FILE NAME:
//IDEARCH/2023/PROJECTS/COMMERCIAL/
FISH CUTTING PLATFORM

WARNING:
- This drawing shall not be used for construction unless certified.
- Contractor to verify all dimensions of existing works on site before commencing any work or preparing shop drawings.
- Do not scale drawings, use written dimensions only.
- This drawing is to be read in conjunction with the specifications and conditions of contract.
- This drawing and design is copyright and no portion may be reproduced without the permission of the ideArch designs.



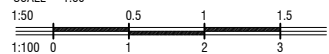
NOTE:

RB1 = 150x250mm (4T12, R6@150 C/C)

RB2 = 100x100 x 3.6mm SHS (1NOS)

LOWER ROOF BEAM PLAN

SCALE = 1:50



S03

CLIENT:
G.A. KONDEY COUNCIL

PROJECT:
FISH CUTTING PLATFORM
G.A. KONDEY

ARCHITECT:
AHUSAN ABDUL MUHUSIN

ENGINEER:
MOHAMED AHMEEM

SCALE: AS GIVEN

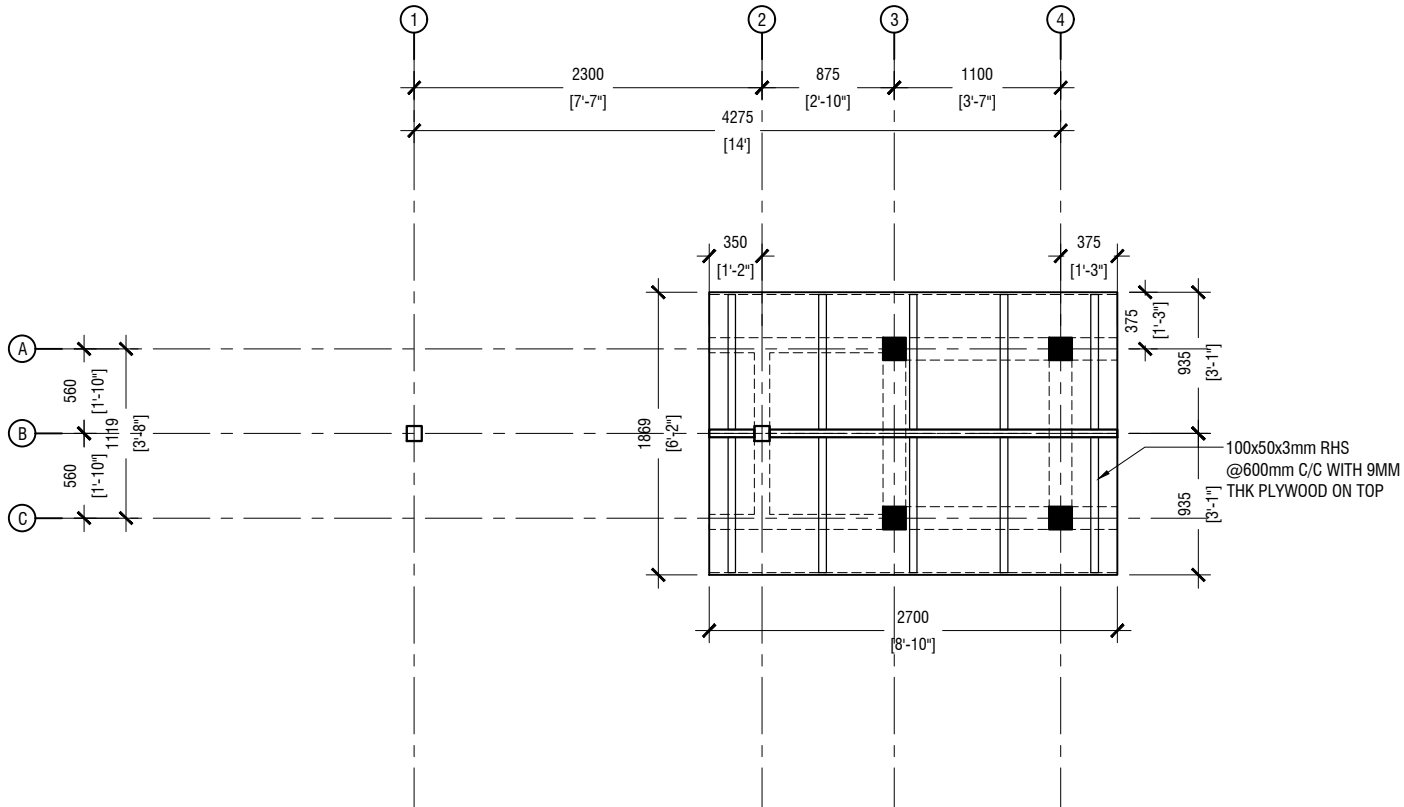
DRWNG TITLE : AS GIVEN

DATE: D07M09Y23

REVISION NO.: 00

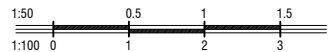
FILE NAME:
//IDEARCH/2023/PROJECTS/COMMERCIAL/
FISH CUTTING PLATFORM

WARNING:
- This drawing shall not be used for construction unless certified.
- Contractor to verify all dimensions of existing works on site before commencing any work or preparing shop drawings.
- Do not scale drawings, use written dimensions only.
- This drawing is to be read in conjunction with the specifications and conditions of contract.
- This drawing and design is copyright and no portion may be reproduced without the permission of the ideArch designs.



LOWER ROOF FRAMING 1

SCALE = 1:50



S04

CLIENT:
G.A. KONDEY COUNCIL

PROJECT:
FISH CUTTING PLATFORM
G.A. KONDEY

ARCHITECT:
AHUSAN ABDUL MUHUSIN

ENGINEER:
MOHAMED AHMEEM

SCALE: AS GIVEN

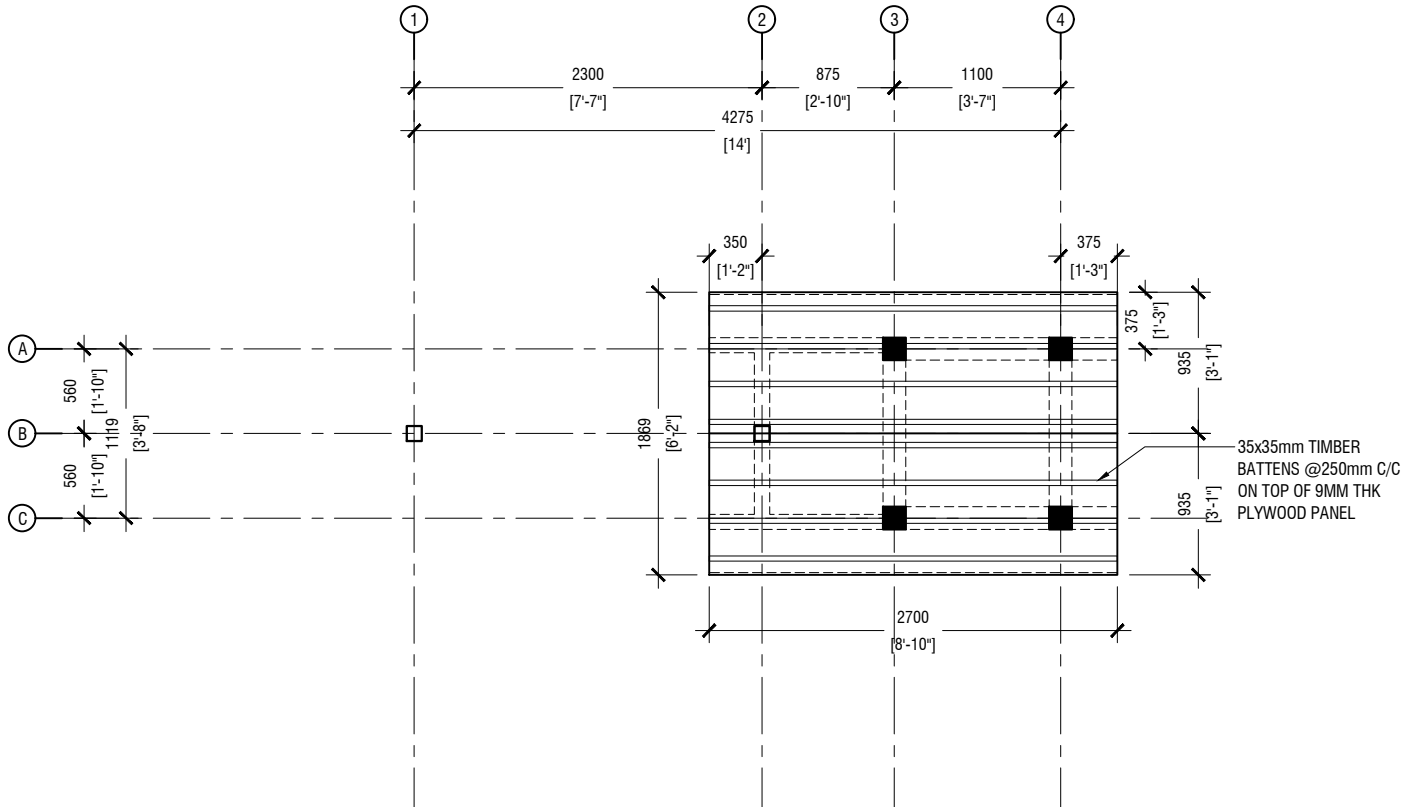
DRWNG TITLE : AS GIVEN

DATE: D07M09Y23

REVISION NO.: 00

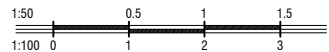
FILE NAME:
//IDEARCH/2023/PROJECTS/COMMERCIAL/
FISH CUTTING PLATFORM

WARNING:
- This drawing shall not be used for construction unless certified.
- Contractor to verify all dimensions of existing works on site before commencing any work or preparing shop drawings.
- Do not scale drawings, use written dimensions only.
- This drawing is to be read in conjunction with the specifications and conditions of contract.
- This drawing and design is copyright and no portion may be reproduced without the permission of the ideArch designs.



LOWER ROOF FRAMING 2

SCALE = 1:50



S05

CLIENT:
G.A. KONDEY COUNCIL

PROJECT:
FISH CUTTING PLATFORM
G.A. KONDEY

ARCHITECT:
AHUSAN ABDUL MUHUSIN

ENGINEER:
MOHAMED AHMEEM

SCALE: AS GIVEN

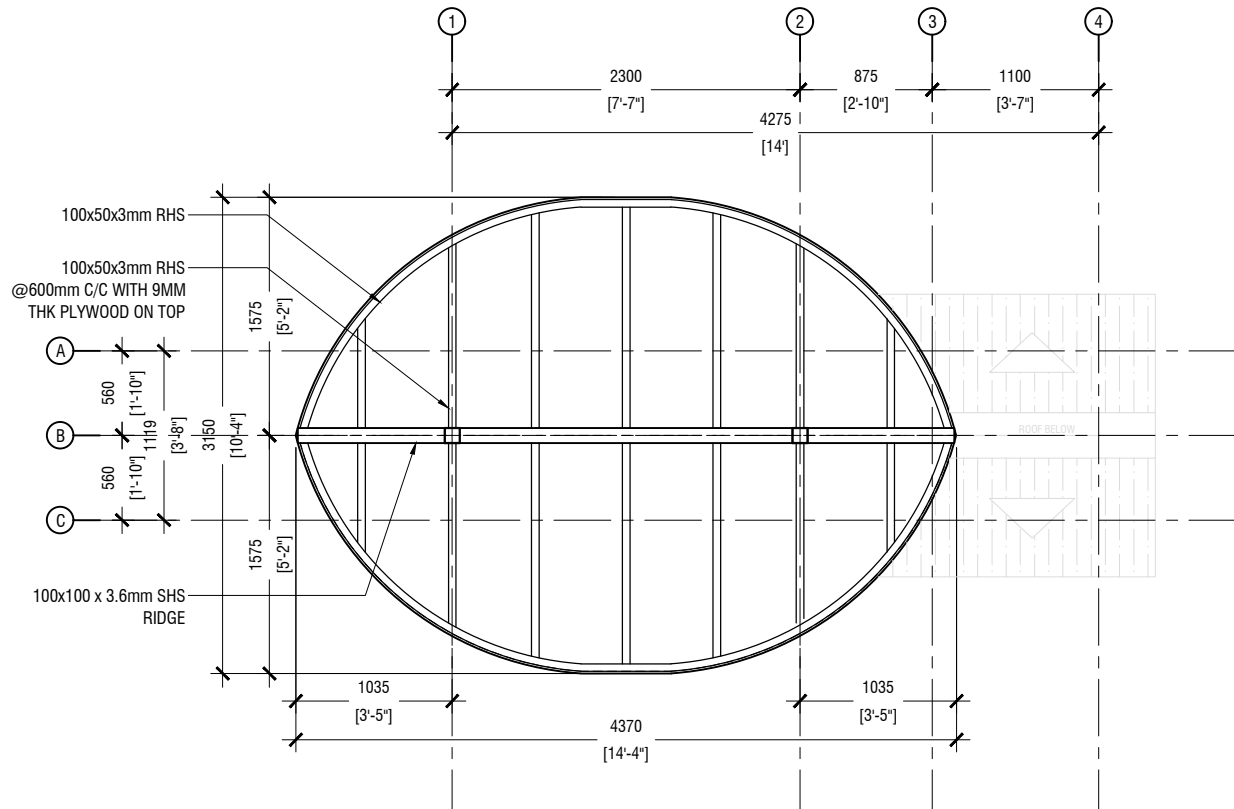
DRWNG TITLE : AS GIVEN

DATE: D07M09Y23

REVISION NO.: 00

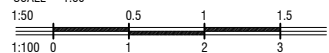
FILE NAME:
//IDEARCH/2023/PROJECTS/COMMERCIAL/
FISH CUTTING PLATFORM

WARNING:
- This drawing shall not be used for construction unless certified.
- Contractor to verify all dimensions of existing works on site before commencing any work or preparing shop drawings.
- Do not scale drawings, use written dimensions only.
- This drawing is to be read in conjunction with the specifications and conditions of contract.
- This drawing and design is copyright and no portion may be reproduced without the permission of the ideArch designs.



HIGHER ROOF FRAMING PLAN 1

SCALE = 1:50



S06

CLIENT:
G.A. KONDEY COUNCIL

PROJECT:
FISH CUTTING PLATFORM
G.A. KONDEY

ARCHITECT:
AHUSAN ABDUL MUHUSIN

ENGINEER:
MOHAMED AHMEEM

SCALE: AS GIVEN

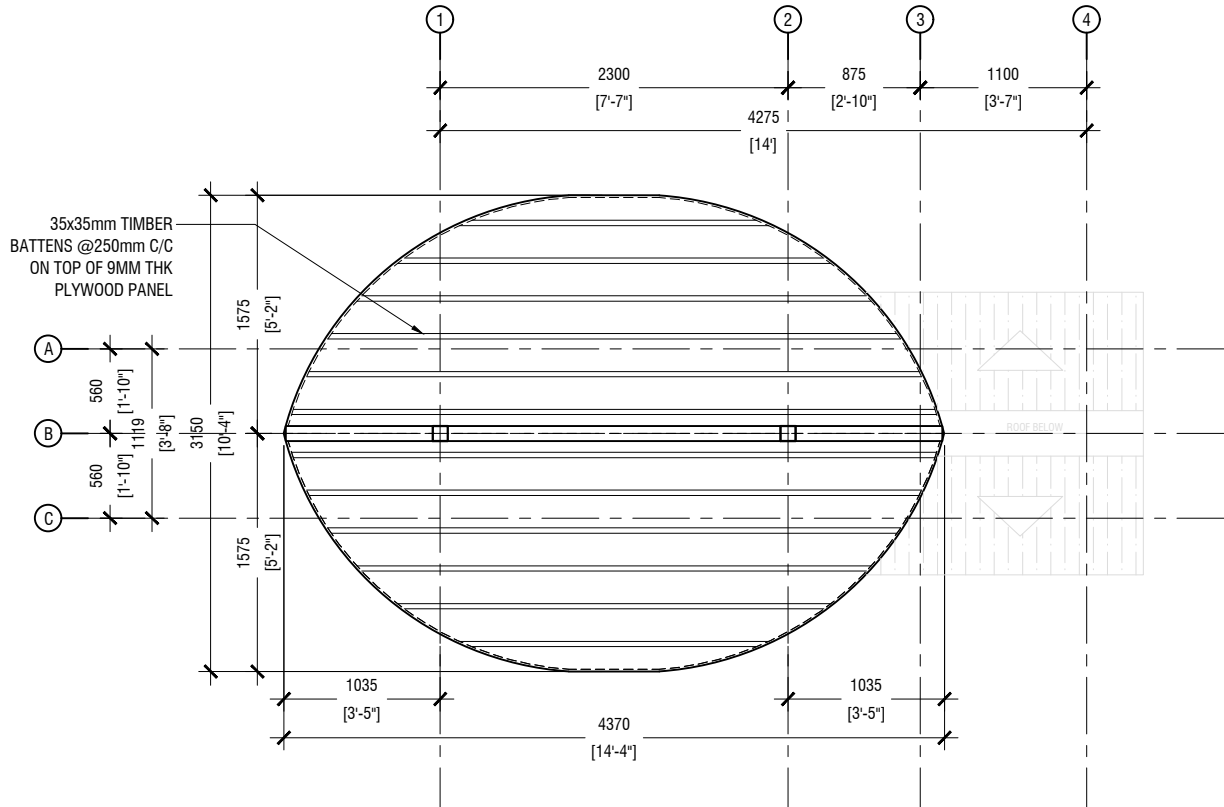
DRWNG TITLE : AS GIVEN

DATE: D07M09Y23

REVISION NO.: 00

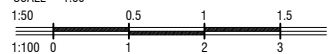
FILE NAME:
//IDEARCH/2023/PROJECTS/COMMERCIAL/
FISH CUTTING PLATFORM

WARNING:
- This drawing shall not be used for construction unless certified.
- Contractor to verify all dimensions of existing works on site before commencing any work or preparing shop drawings.
- Do not scale drawings, use written dimensions only.
- This drawing is to be read in conjunction with the specifications and conditions of contract.
- This drawing and design is copyright and no portion may be reproduced without the permission of the ideArch designs.



HIGHER ROOF FRAMING PLAN 2

SCALE = 1:50



S07

CLIENT:
G.A. KONDEY COUNCIL

PROJECT:
FISH CUTTING PLATFORM
G.A. KONDEY

ARCHITECT:
AHUSAN ABDUL MUHUSIN

ENGINEER:
MOHAMED AHMEEM

SCALE: AS GIVEN

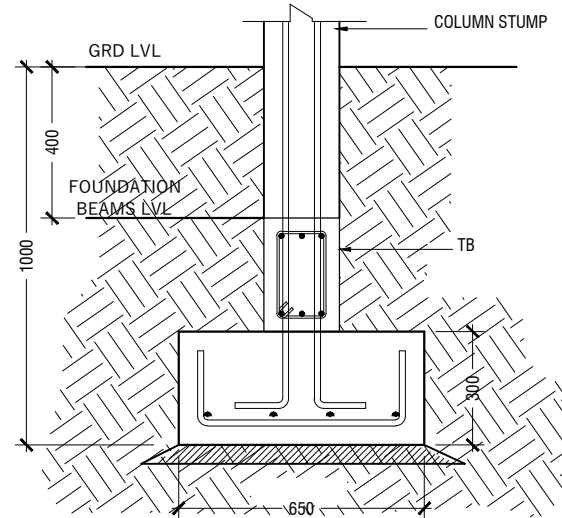
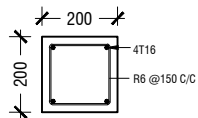
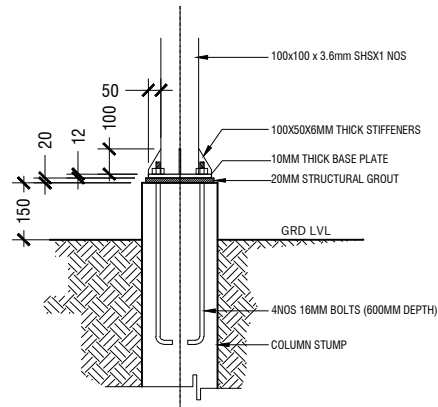
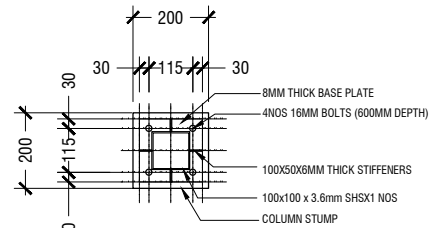
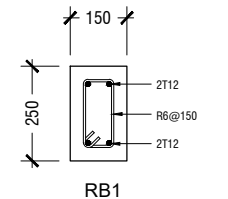
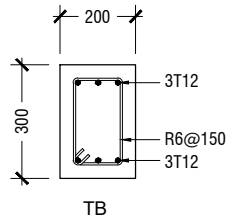
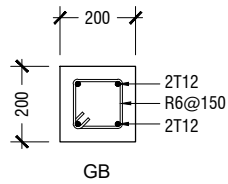
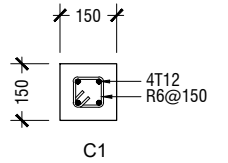
DRWNG TITLE : AS GIVEN

DATE: D07M09Y23

REVISION NO.: 00

FILE NAME:
//IDEARCH/2023/PROJECTS/COMMERCIAL/
FISH CUTTING PLATFORM

WARNING:
- This drawing shall not be used for construction unless certified.
- Contractor to verify all dimensions of existing works on site before commencing any work or preparing shop drawings.
- Do not scale drawings, use written dimensions only.
- This drawing is to be read in conjunction with the specifications and conditions of contract.
- This drawing and design is copyright and no portion may be reproduced without the permission of the ideArch designs.



NOTE:
F1 = 650X650X300 (T12@125 BOT. B/W)
FOUNDATION DEPTH = 1000MM

TYPICAL FOOTING DETAIL

SCALE = 1:20

NOTES:

EXCEPT OTHERWISE NOTED:

- FOUNDATION PAD & BEAM COVER = 50 mm
- COLUMN COVER = 40 mm
- BEAM COVER = 35 mm
- FLOOR SLAB COVER = 30 mm
- MINIMUM CONCRETE GRADE = C25

CLIENT:
G.A. KONDEY COUNCIL

PROJECT:
FISH CUTTING PLATFORM
G.A. KONDEY

ARCHITECT:
AHUSAN ABDUL MUHUSIN

ENGINEER:
MOHAMED AHMEEM

SCALE: AS GIVEN

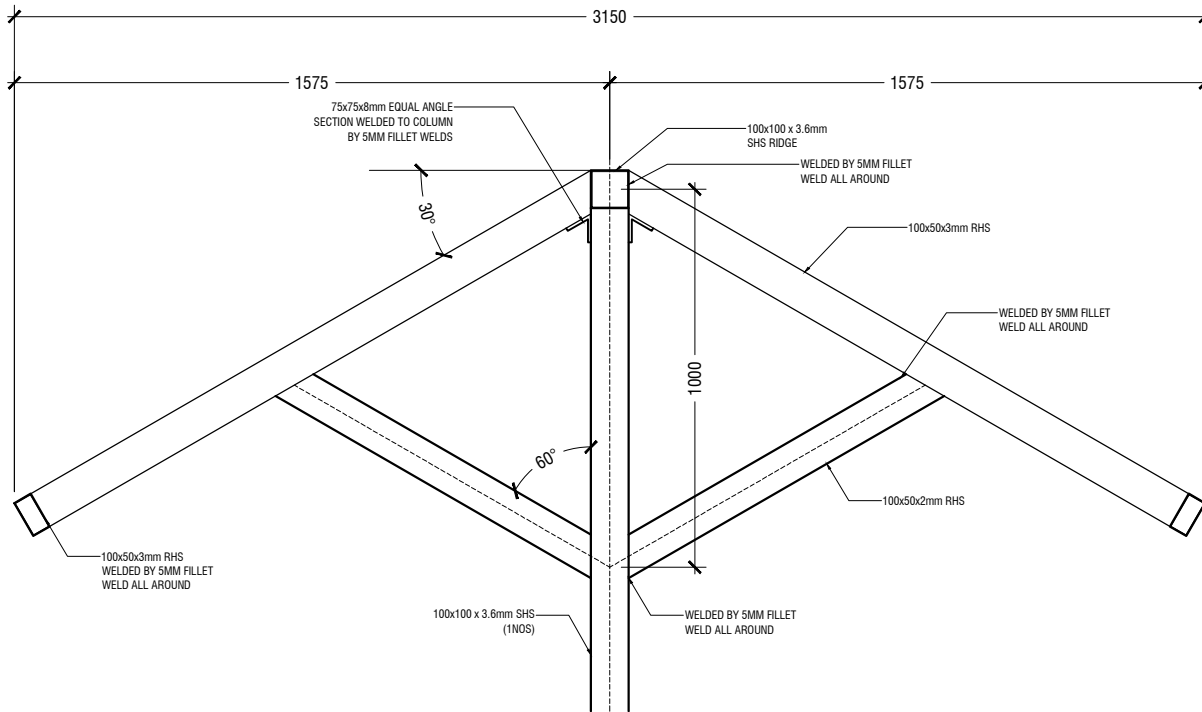
DRWNG TITLE : AS GIVEN

DATE: D07M09Y23

REVISION NO.: 00

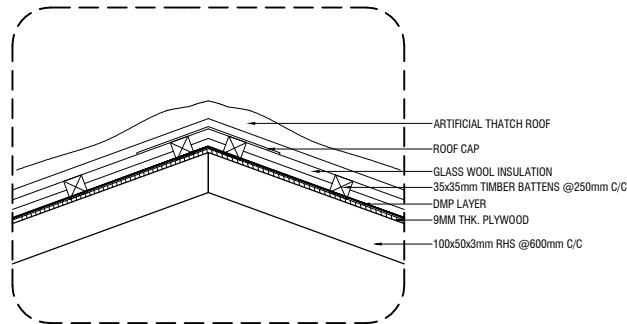
FILE NAME:
//IDEARCH/2023/PROJECTS/COMMERCIAL/
FISH CUTTING PLATFORM

WARNING:
- This drawing shall not be used for construction unless certified.
- Contractor to verify all dimensions of existing works on site before commencing any work or preparing shop drawings.
- Do not scale drawings, use written dimensions only.
- This drawing is to be read in conjunction with the specifications and conditions of contract.
- This drawing and design is copyright and no portion may be reproduced without the permission of the ideArch designs.



HIGHER ROOF STRUCTURE TO COLUMN CONNECTION DETAIL

SCALE = 1:20



ROOFING DETAIL

SCALE = 1:20

DETAILS

SCALE = 1:20

S09

CLIENT:
G.A. KONDEY COUNCIL

PROJECT:
FISH CUTTING PLATFORM
G.A. KONDEY

ARCHITECT:
AHUSAN ABDUL MUHUSIN

ENGINEER:
MOHAMED AHMEEM

SCALE: AS GIVEN

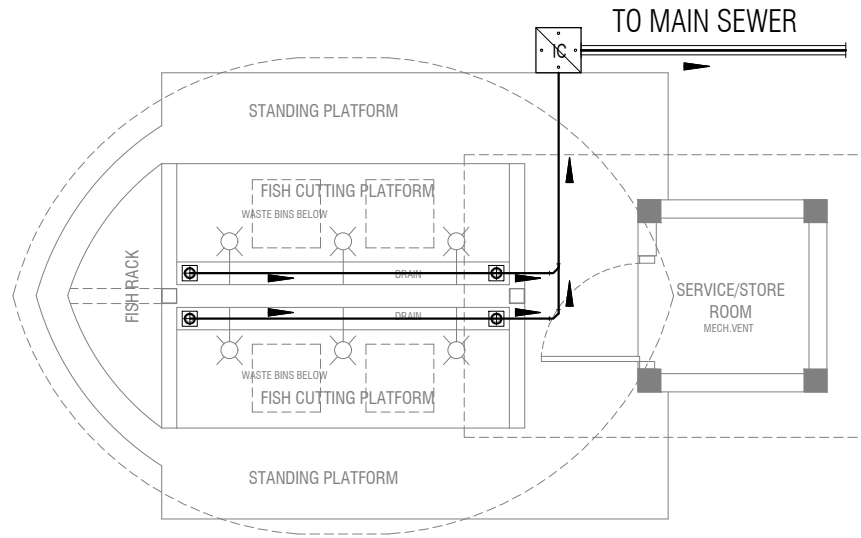
DRWNG TITLE : AS GIVEN

DATE: D07M09Y23

REVISION NO.: 00

FILE NAME:
//IDEARCH/2023/PROJECTS/COMMERCIAL/
FISH CUTTING PLATFORM

WARNING:
- This drawing shall not be used for construction unless certified.
- Contractor to verify all dimensions of existing works on site before commencing any work or preparing shop drawings.
- Do not scale drawings, use written dimensions only.
- This drawing is to be read in conjunction with the specifications and conditions of contract.
- This drawing and design is copyright and no portion may be reproduced without the permission of the ideArch designs.



PLUMBING LEGEND

- | | | | |
|--|---------------------------------|--|--------------------|
| | DIA 50 WASTE PIPE | | INSPECTION CHAMBER |
| | DIA 50/25/12 FRESH WATER SUPPLY | | FLOOR DRAIN |
| | FLOW DIRECTION | | GATE VALVE |
| | FAUCET/TAP | | WATER METER |
| | | | BOOSTER PUMP |

NOTE:

THE DRAWINGS ARE SCHEMATIC. DETAILED SYSTEMS DESIGN AND CONDUITING SHALL BE DONE BY CONTRACTOR AND SUBMITTED FOR APPROVAL BEFORE INSTALLATION. BOOSTER PUMP INSTALLATION SHOULD BE DONE AFTER CHECKING ON SITE.

FISH CUTTING PLATFORM SEWAGE NETWORK LAYOUT

SCALE = 1:50



PL01

CLIENT:
G.A. KONDEY COUNCIL

PROJECT:
FISH CUTTING PLATFORM
G.A. KONDEY

ARCHITECT:
AHUSAN ABDUL MUHUSIN

ENGINEER:
MOHAMED AHMEEM

SCALE: AS GIVEN

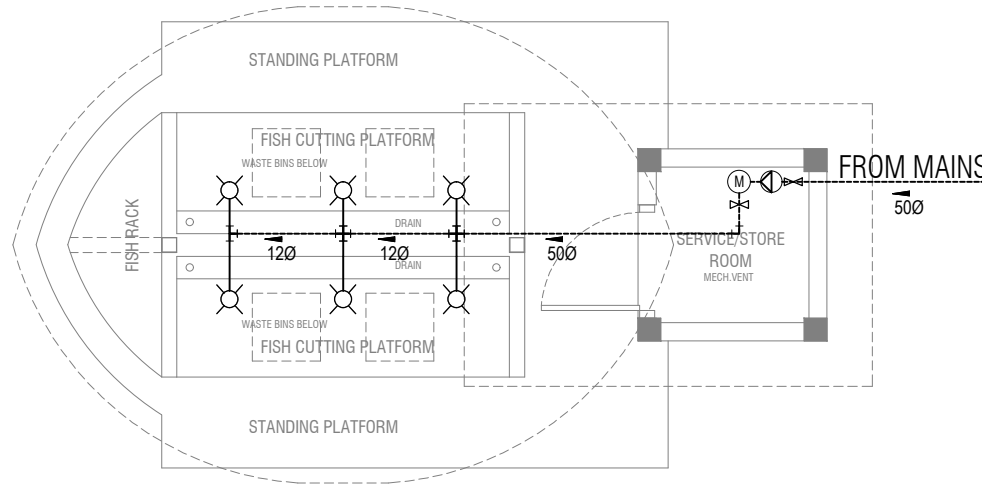
DRWNG TITLE : AS GIVEN

DATE: D07M09Y23

REVISION NO.: 00

FILE NAME:
//IDEARCH/2023/PROJECTS/COMMERCIAL/
FISH CUTTING PLATFORM

WARNING:
- This drawing shall not be used for construction unless certified.
- Contractor to verify all dimensions of existing works on site before commencing any work or preparing shop drawings.
- Do not scale drawings, use written dimensions only.
- This drawing is to be read in conjunction with the specifications and conditions of contract.
- This drawing and design is copyright and no portion may be reproduced without the permission of the ideArch designs.



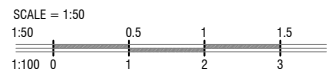
PLUMBING LEGEND

	DIA 50 WASTE PIPE		INSPECTION CHAMBER
	DIA 50/25/12 FRESH WATER SUPPLY		FLOOR DRAIN
	FLOW DIRECTION		GATE VALVE
	FAUCET/TAP		WATER METER
			BOOSTER PUMP

NOTE:

THE DRAWINGS ARE SCHEMATIC. DETAILED SYSTEMS DESIGN AND CONDUITING SHALL BE DONE BY CONTRACTOR AND SUBMITTED FOR APPROVAL BEFORE INSTALLATION. BOOSTER PUMP INSTALLATION SHOULD BE DONE AFTER CHECKING ON SITE.

FISH CUTTING PLATFORM FRESH WATER NETWORK LAYOUT



PL02

CLIENT:
G.A. KONDEY COUNCIL

PROJECT:
FISH CUTTING PLATFORM
G.A. KONDEY

ARCHITECT:
AHUSAN ABDUL MUHUSIN

ENGINEER:
MOHAMED AHMEEM

SCALE: AS GIVEN

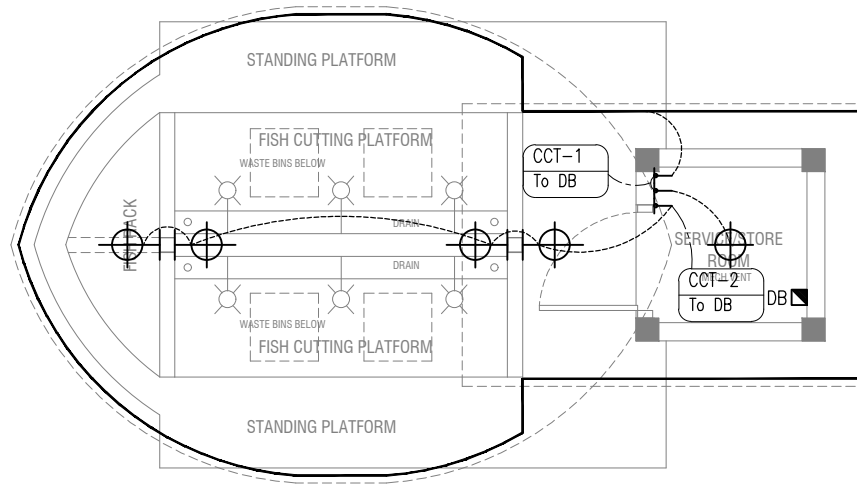
DRWNG TITLE : AS GIVEN

DATE: D07M09Y23



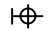
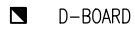

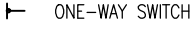
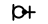
REVISION NO.: 00

FILE NAME:
//IDEARCH/2023/PROJECTS/COMMERCIAL/
FISH CUTTING PLATFORM

WARNING:
- This drawing shall not be used for construction unless certified.
- Contractor to verify all dimensions of existing works on site before commencing any work or preparing shop drawings.
- Do not scale drawings, use written dimensions only.
- This drawing is to be read in conjunction with the specifications and conditions of contract.
- This drawing and design is copyright and no portion may be reproduced without the permission of the ideArch designs.



ELECTRICAL LEGEND

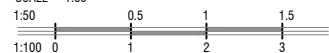
- | | | | |
|---|-----------------------------|---|----------------|
|  | CEILING LIGHT |  | STRIP LIGHT |
|  | WEATHER PROOF OUTDOOR LIGHT |  | D-BOARD |
|  | WALL SOCKET 13A (LOW LVL) |  | ONE-WAY SWITCH |
|  | WALL SOCKET 15A (LOW LVL) | | |

NOTE:

THE DRAWINGS ARE SCHEMATIC. DETAILED SYSTEMS DESIGN AND CONDUITING SHALL BE DONE BY CONTRACTOR AND SUBMITTED FOR APPROVAL BEFORE INSTALLATION.

FISH CUTTING PLATFORM LIGHTING LAYOUT

SCALE = 1:50



EL01

CLIENT:
G.A. KONDEY COUNCIL

PROJECT:
FISH CUTTING PLATFORM
G.A. KONDEY

ARCHITECT:
AHUSAN ABDUL MUHUSIN

ENGINEER:
MOHAMED AHMEEM

SCALE: AS GIVEN

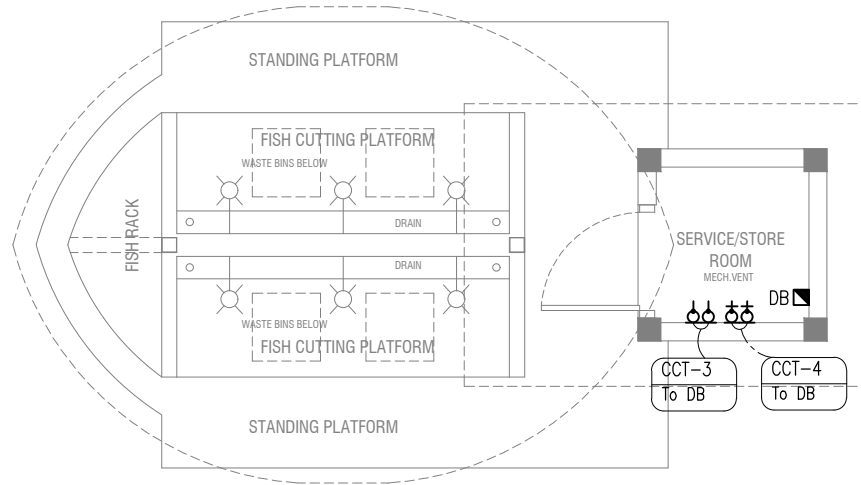
DRWNG TITLE : AS GIVEN

DATE: D07M09Y23



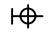
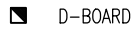

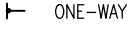
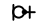
REVISION NO.: 00

FILE NAME:
//IDEARCH/2023/PROJECTS/COMMERCIAL/
FISH CUTTING PLATFORM

WARNING:
- This drawing shall not be used for construction unless certified.
- Contractor to verify all dimensions of existing works on site before commencing any work or preparing shop drawings.
- Do not scale drawings, use written dimensions only.
- This drawing is to be read in conjunction with the specifications and conditions of contract.
- This drawing and design is copyright and no portion may be reproduced without the permission of the ideArch designs.



ELECTRICAL LEGEND

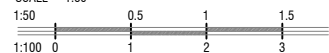
- | | | | |
|---|-----------------------------|---|----------------|
|  | CEILING LIGHT |  | STRIP LIGHT |
|  | WEATHER PROOF OUTDOOR LIGHT |  | D-BOARD |
|  | WALL SOCKET 13A (LOW LVL) |  | ONE-WAY SWITCH |
|  | WALL SOCKET 15A (LOW LVL) | | |

NOTE:

THE DRAWINGS ARE SCHEMATIC. DETAILED SYSTEMS DESIGN AND CONDUITING SHALL BE DONE BY CONTRACTOR AND SUBMITTED FOR APPROVAL BEFORE INSTALLATION.

FISH CUTTING PLATFORM POWER SOCKETS LAYOUT

SCALE = 1:50



EL02