



ޖެނެރަލް ޔުޅުބާރުގެ ފޯރިފުޅު ސަރުކާރުގެ ސަރަޙައްދީ ސަރުކާރުގެ ރަޖިސްޓްރީ

ޖެނެރަލް ޔުޅުބާރުގެ ސަރުކާރުގެ ސަރަޙައްދީ ސަރުކާރުގެ ރަޖިސްޓްރީ ބެލެވިފައިވާ ސަރުކާރުގެ ސަރަޙައްދީ ސަރުކާރުގެ ރަޖިސްޓްރީ

ސަރުކާރުގެ ސަރަޙައްދީ ސަރުކާރުގެ ރަޖިސްޓްރީ

ހަދުދުގެ ސަރުކާރުގެ ސަރަޙައްދީ ސަރުކާރުގެ ރަޖިސްޓްރީ: (IUL)327-A/327/2023/275

ޖެނެރަލް ޔުޅުބާރުގެ ސަރުކާރުގެ ސަރަޙައްދީ ސަރުކާރުގެ ރަޖިސްޓްރީ:

ހަދުދުގެ ސަރުކާރުގެ ސަރަޙައްދީ ސަރުކާރުގެ ރަޖިސްޓްރީ: 11 ޖެނެރަލް ޔުޅުބާރުގެ ސަރުކާރުގެ ސަރަޙައްދީ ސަރުކާރުގެ ރަޖިސްޓްރީ 2023

ހަދުދުގެ ސަރުކާރުގެ ސަރަޙައްދީ ސަރުކާރުގެ ރަޖިސްޓްރީ: 22 ޖެނެރަލް ޔުޅުބާރުގެ ސަރުކާރުގެ ސަރަޙައްދީ ސަރުކާރުގެ ރަޖިސްޓްރީ 2023



6.1 6. ڏيکارڻ ۽
ڏيکارڻ

ڪو به ڏيکارڻ ڪرڻ، ڏيکارڻ ڪرڻ، ڏيکارڻ ڪرڻ (ڏيکارڻ ڪرڻ ڏيکارڻ ڪرڻ ڏيکارڻ ڪرڻ)
1.02 ڪ (ر) ڏيکارڻ ڪرڻ "ڏيکارڻ ڪرڻ" ڏيکارڻ ڪرڻ "ڏيکارڻ ڪرڻ"
ڏيکارڻ ڪرڻ ڏيکارڻ ڪرڻ (ڏيکارڻ ڪرڻ) ڏيکارڻ ڪرڻ، ڏيکارڻ ڪرڻ ڏيکارڻ ڪرڻ
ڏيکارڻ ڪرڻ ڏيکارڻ ڪرڻ ڏيکارڻ ڪرڻ. ڏيکارڻ ڪرڻ ڏيکارڻ ڪرڻ ڏيکارڻ ڪرڻ
ڏيکارڻ ڪرڻ ڏيکارڻ ڪرڻ ڏيکارڻ ڪرڻ ڏيکارڻ ڪرڻ.

(ر) ڏيکارڻ ڪرڻ

7.1 7. ڏيکارڻ ڪرڻ
ڏيکارڻ ڪرڻ

ڏيکارڻ ڪرڻ ڏيکارڻ ڪرڻ ڏيکارڻ ڪرڻ ڏيکارڻ ڪرڻ ڏيکارڻ ڪرڻ
ڏيکارڻ ڪرڻ ڏيکارڻ ڪرڻ.

7.1.1 ڏيکارڻ ڪرڻ (ڏيکارڻ ڪرڻ - 1)

7.1.2 ڏيکارڻ ڪرڻ ڏيکارڻ ڪرڻ ڏيکارڻ ڪرڻ (ڏيکارڻ ڪرڻ - 2)

7.1.3 ڏيکارڻ ڪرڻ ڏيکارڻ ڪرڻ ڏيکارڻ ڪرڻ (ڏيکارڻ ڪرڻ - 3)

7.1.4 ڏيکارڻ ڪرڻ ڏيکارڻ ڪرڻ (ڏيکارڻ ڪرڻ - 4)

7.1.5 ڏيکارڻ ڪرڻ (ڏيکارڻ ڪرڻ - 5)

8.1 8. ڏيکارڻ ڪرڻ
ڏيکارڻ ڪرڻ

ڏيکارڻ ڪرڻ ڏيکارڻ ڪرڻ ڏيکارڻ ڪرڻ ڏيکارڻ ڪرڻ ڏيکارڻ ڪرڻ
ڏيکارڻ ڪرڻ ڏيکارڻ ڪرڻ.

8.2 ڏيکارڻ ڪرڻ

ڏيکارڻ ڪرڻ ڏيکارڻ ڪرڻ ڏيکارڻ ڪرڻ ڏيکارڻ ڪرڻ ڏيکارڻ ڪرڻ
ڏيکارڻ ڪرڻ ڏيکارڻ ڪرڻ.

9.1 9. ڏيکارڻ ڪرڻ
ڏيکارڻ ڪرڻ

ڏيکارڻ ڪرڻ ڏيکارڻ ڪرڻ ڏيکارڻ ڪرڻ ڏيکارڻ ڪرڻ ڏيکارڻ ڪرڻ
ڏيکارڻ ڪرڻ ڏيکارڻ ڪرڻ.

9.2 ڏيکارڻ ڪرڻ

ڏيکارڻ ڪرڻ ڏيکارڻ ڪرڻ ڏيکارڻ ڪرڻ ڏيکارڻ ڪرڻ ڏيکارڻ ڪرڻ
ڏيکارڻ ڪرڻ ڏيکارڻ ڪرڻ.



9.3. ከዚህ በፊት ለተገኘው ስልጠና ይዘት ላይ ተጨማሪ ማሳሰቢያዎች ለማድረግ ይገባል።

10.10. ከዚህ በፊት ለተገኘው ስልጠና ይዘት ላይ ተጨማሪ ማሳሰቢያዎች ለማድረግ ይገባል።

10.10.1. ከዚህ በፊት ለተገኘው ስልጠና ይዘት ላይ ተጨማሪ ማሳሰቢያዎች ለማድረግ ይገባል።

(ሀ) የሥራ ስልጠናዎች

11.11. ከዚህ በፊት ለተገኘው ስልጠና ይዘት ላይ ተጨማሪ ማሳሰቢያዎች ለማድረግ ይገባል።

12.12. ከዚህ በፊት ለተገኘው ስልጠና ይዘት ላይ ተጨማሪ ማሳሰቢያዎች ለማድረግ ይገባል።

13.13. ከዚህ በፊት ለተገኘው ስልጠና ይዘት ላይ ተጨማሪ ማሳሰቢያዎች ለማድረግ ይገባል።

13.2. ከዚህ በፊት ለተገኘው ስልጠና ይዘት ላይ ተጨማሪ ማሳሰቢያዎች ለማድረግ ይገባል።

14.14. ከዚህ በፊት ለተገኘው ስልጠና ይዘት ላይ ተጨማሪ ማሳሰቢያዎች ለማድረግ ይገባል።

14.2. ከዚህ በፊት ለተገኘው ስልጠና ይዘት ላይ ተጨማሪ ማሳሰቢያዎች ለማድረግ ይገባል።



- (א) משרד המבחן יבצע את המבחן וימנה את המבחן.
- (ב) המבחן יבצע את המבחן וימנה את המבחן.
- (ג) המבחן יבצע את המבחן וימנה את המבחן.

16.3. ארגון המבחן יבצע את המבחן וימנה את המבחן.

16.3.1. המבחן יבצע את המבחן וימנה את המבחן.

16.3.2. המבחן יבצע את המבחן וימנה את המבחן.

(ד) משרד המבחן

17.1. המבחן יבצע את המבחן וימנה את המבחן.

17.1. המבחן יבצע את המבחן וימנה את המבחן.

17.2. המבחן יבצע את המבחן וימנה את המבחן.

17.3. המבחן יבצע את המבחן וימנה את המבחן.

17.4. המבחן יבצע את המבחן וימנה את המבחן.

18.1. המבחן יבצע את המבחן וימנה את המבחן.



22.1.3 22.1.3 22.1.3 22.1.3 22.1.3 22.1.3
22.1.3 22.1.3 22.1.3 22.1.3 22.1.3 22.1.3
(22.1.3 22.1.3 22.1.3 22.1.3 22.1.3 22.1.3)

22.1.3 22.1.3 22.1.3 22.1.3 22.1.3 22.1.3
22.1.3 22.1.3 22.1.3 22.1.3 22.1.3 22.1.3

23.1 23.1 23.1 23.1 23.1 23.1
23.1 23.1 23.1 23.1 23.1 23.1

23 23 23 23 23 23
23 23 23 23 23 23

24.1 24.1 24.1 24.1 24.1 24.1
24.1 24.1 24.1 24.1 24.1 24.1
24.1 24.1 24.1 24.1 24.1 24.1
24.1 24.1 24.1 24.1 24.1 24.1
24.1 24.1 24.1 24.1 24.1 24.1
24.1 24.1 24.1 24.1 24.1 24.1

24 24 24 24 24 24
24 24 24 24 24 24
24 24 24 24 24 24
24 24 24 24 24 24

25.1 25.1 25.1 25.1 25.1 25.1
25.1 25.1 25.1 25.1 25.1 25.1
25.1 25.1 25.1 25.1 25.1 25.1
25.1 25.1 25.1 25.1 25.1 25.1
25.1 25.1 25.1 25.1 25.1 25.1
25.1 25.1 25.1 25.1 25.1 25.1

25 25 25 25 25 25
25 25 25 25 25 25

26.1 26.1 26.1 26.1 26.1 26.1
26.1 26.1 26.1 26.1 26.1 26.1

26 26 26 26 26 26
26 26 26 26 26 26
26 26 26 26 26 26
26 26 26 26 26 26

27.1 27.1 27.1 27.1 27.1 27.1
27.1 27.1 27.1 27.1 27.1 27.1
27.1 27.1 27.1 27.1 27.1 27.1
27.1 27.1 27.1 27.1 27.1 27.1
27.1 27.1 27.1 27.1 27.1 27.1

27 27 27 27 27 27
27 27 27 27 27 27
27 27 27 27 27 27
27 27 27 27 27 27



- 27.2 27.1 ڏاڻو ڪرڻ جي ڪري ڪو به ڪم ڪرڻ کان روڪيو وڃي ٿو ته ڪو به ڪم ڪرڻ کان روڪيو وڃي ٿو.
- 27.3 ڏاڻو ڪرڻ جي ڪري ڪو به ڪم ڪرڻ کان روڪيو وڃي ٿو ته ڪو به ڪم ڪرڻ کان روڪيو وڃي ٿو.

27.19 ڏاڻو ڪرڻ جي ڪري ڪو به ڪم ڪرڻ کان روڪيو وڃي ٿو ته ڪو به ڪم ڪرڻ کان روڪيو وڃي ٿو.

(ع) ڏاڻو ڪرڻ جي ڪري ڪو به ڪم ڪرڻ کان روڪيو وڃي ٿو

- 28.1 ڏاڻو ڪرڻ جي ڪري ڪو به ڪم ڪرڻ کان روڪيو وڃي ٿو ته ڪو به ڪم ڪرڻ کان روڪيو وڃي ٿو. 500,000/- (ڏاڻو ڪرڻ جي ڪري ڪو به ڪم ڪرڻ کان روڪيو وڃي ٿو).
- 28.2 ڏاڻو ڪرڻ جي ڪري ڪو به ڪم ڪرڻ کان روڪيو وڃي ٿو ته ڪو به ڪم ڪرڻ کان روڪيو وڃي ٿو. 90 (ڏاڻو ڪرڻ جي ڪري ڪو به ڪم ڪرڻ کان روڪيو وڃي ٿو).
- 28.3 ڏاڻو ڪرڻ جي ڪري ڪو به ڪم ڪرڻ کان روڪيو وڃي ٿو ته ڪو به ڪم ڪرڻ کان روڪيو وڃي ٿو.
- 28.4 ڏاڻو ڪرڻ جي ڪري ڪو به ڪم ڪرڻ کان روڪيو وڃي ٿو ته ڪو به ڪم ڪرڻ کان روڪيو وڃي ٿو.
- 28.5 ڏاڻو ڪرڻ جي ڪري ڪو به ڪم ڪرڻ کان روڪيو وڃي ٿو ته ڪو به ڪم ڪرڻ کان روڪيو وڃي ٿو.

28 ڏاڻو ڪرڻ جي ڪري ڪو به ڪم ڪرڻ کان روڪيو وڃي ٿو

- 29.1 ڏاڻو ڪرڻ جي ڪري ڪو به ڪم ڪرڻ کان روڪيو وڃي ٿو ته ڪو به ڪم ڪرڻ کان روڪيو وڃي ٿو.
- 29.2 ڏاڻو ڪرڻ جي ڪري ڪو به ڪم ڪرڻ کان روڪيو وڃي ٿو ته ڪو به ڪم ڪرڻ کان روڪيو وڃي ٿو. 250,000/- (ڏاڻو ڪرڻ جي ڪري ڪو به ڪم ڪرڻ کان روڪيو وڃي ٿو).
- 29.3 ڏاڻو ڪرڻ جي ڪري ڪو به ڪم ڪرڻ کان روڪيو وڃي ٿو ته ڪو به ڪم ڪرڻ کان روڪيو وڃي ٿو. 45 (ڏاڻو ڪرڻ جي ڪري ڪو به ڪم ڪرڻ کان روڪيو وڃي ٿو).

29 ڏاڻو ڪرڻ جي ڪري ڪو به ڪم ڪرڻ کان روڪيو وڃي ٿو



3 - 3

33.1 33.2 33.3 33.4 33.5

- 33.1 "33.1 33.2 33.3 33.4 33.5" 33.1 33.2 33.3 33.4 33.5
- 33.2 "33.2 33.3 33.4 33.5" 33.2 33.3 33.4 33.5
- 33.3 "33.3 33.4 33.5" 33.3 33.4 33.5
- 33.4 "33.4 33.5" 33.4 33.5
- 33.5 "33.5" 33.5

33.3 33.4 34.1 34.2 34.3

- 34.1 "34.1 34.2 34.3" 34.1 34.2 34.3
- 34.2 "34.2 34.3" 34.2 34.3
- 34.3 "34.3" 34.3

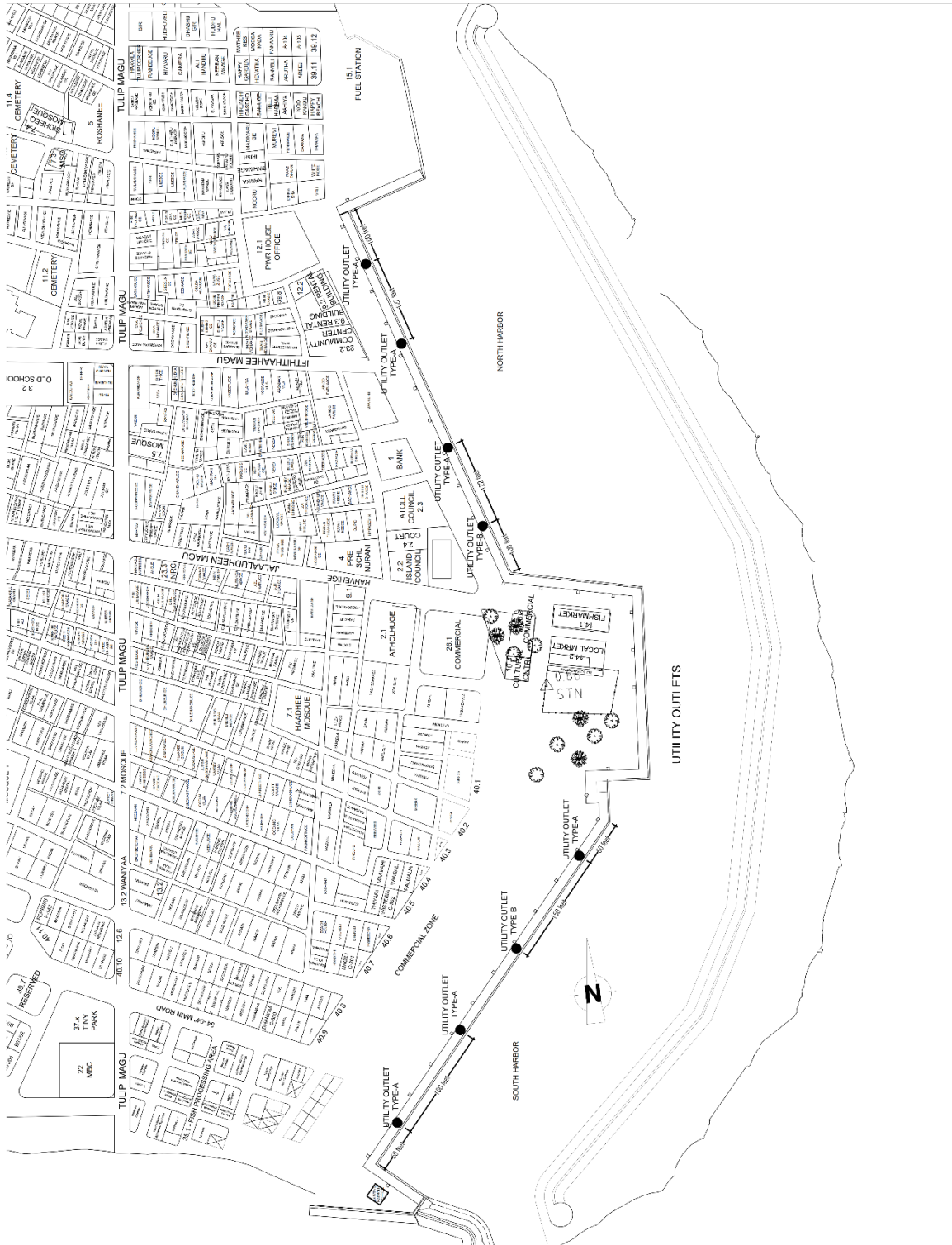
34.1 34.2 34.3

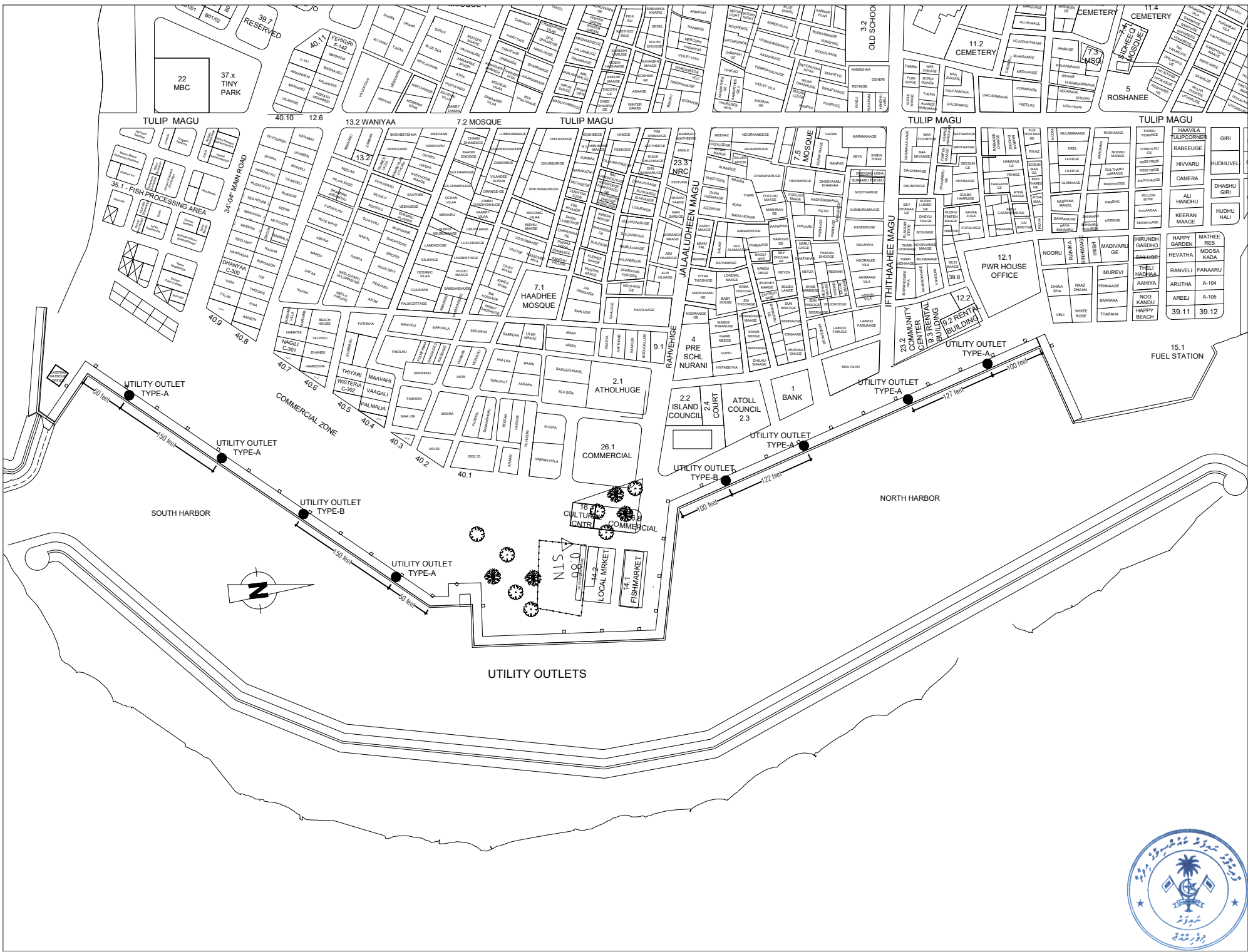
- 35.1 "35.1 35.2" 35.1 35.2
- 35.2 "35.2" 35.2

35.1 35.2



1 ٴٴٴٴ



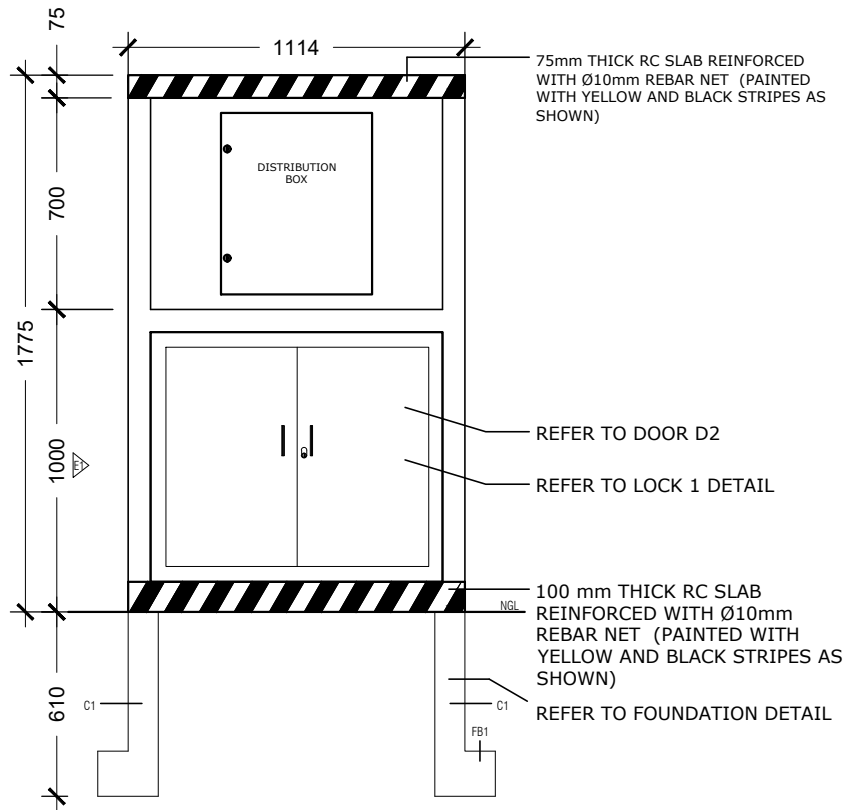


2 ځانګړتياوې

Outlet Type - A

Outlet Type - B

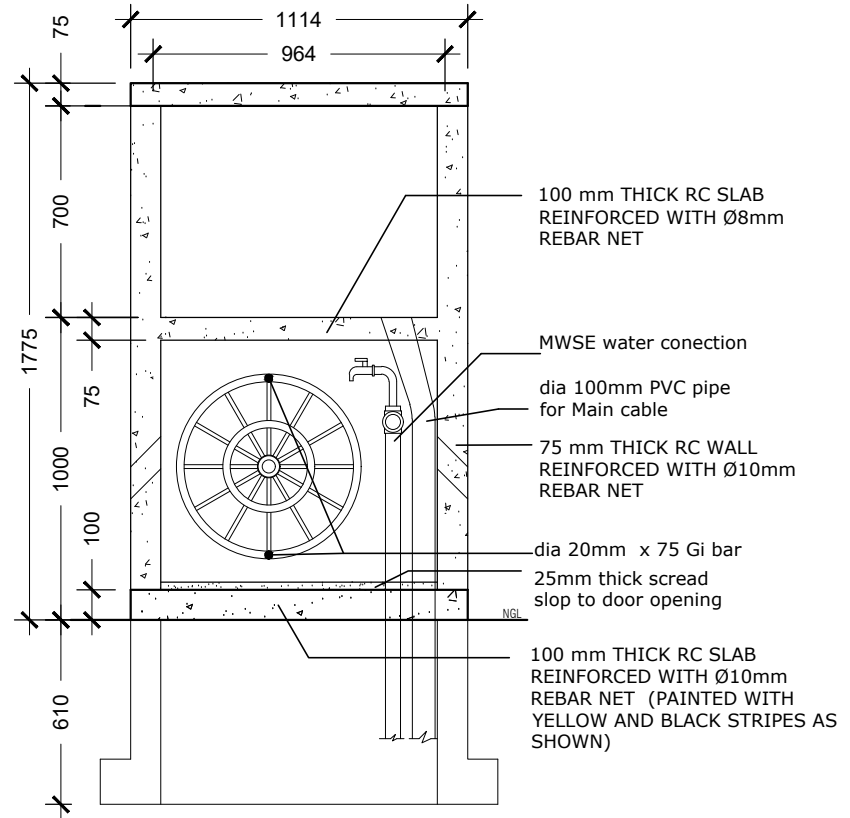




75mm THICK RC SLAB REINFORCED WITH Ø10mm REBAR NET (PAINTED WITH YELLOW AND BLACK STRIPES AS SHOWN)

REFER TO DOOR D2
REFER TO LOCK 1 DETAIL

100 mm THICK RC SLAB REINFORCED WITH Ø10mm REBAR NET (PAINTED WITH YELLOW AND BLACK STRIPES AS SHOWN)
NGL
REFER TO FOUNDATION DETAIL



100 mm THICK RC SLAB REINFORCED WITH Ø8mm REBAR NET

MWSE water connection

dia 100mm PVC pipe for Main cable

75 mm THICK RC WALL REINFORCED WITH Ø10mm REBAR NET

dia 20mm x 75 Gi bar
25mm thick screed slop to door opening

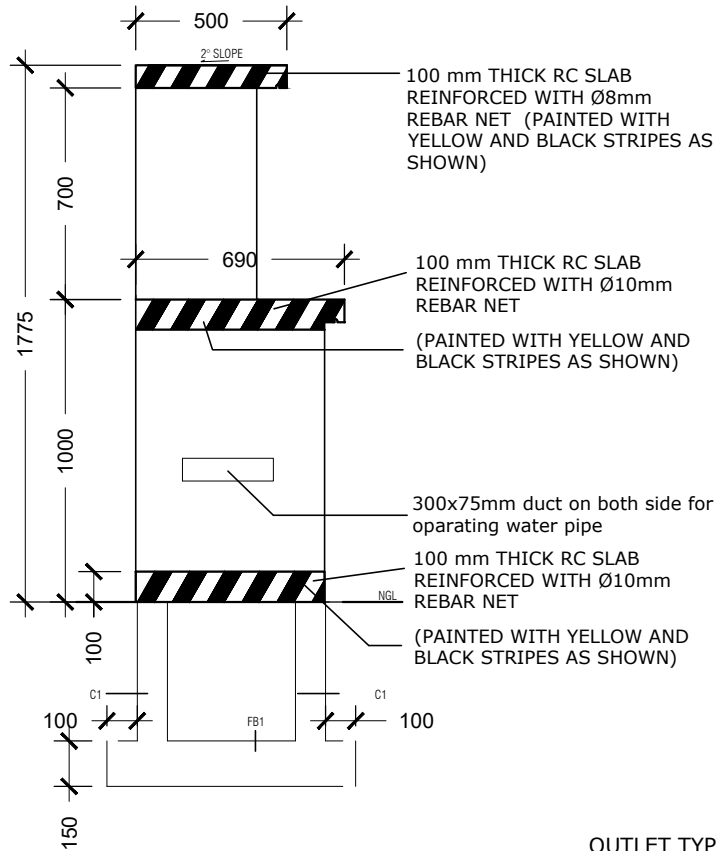
100 mm THICK RC SLAB REINFORCED WITH Ø10mm REBAR NET (PAINTED WITH YELLOW AND BLACK STRIPES AS SHOWN)
NGL

**FRONT VIEW UTILITY
OUTLET TYPE-A**

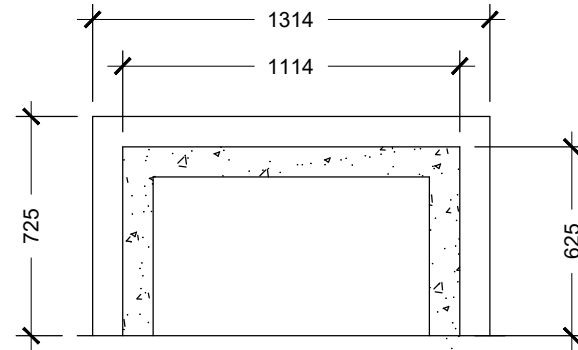


DESIGN:	Sharwath / Yamaan
DRAWN BY:	Sharwath / Yamaan
PROJECT:	Utility outlet
DATE:	10- 10- 2023

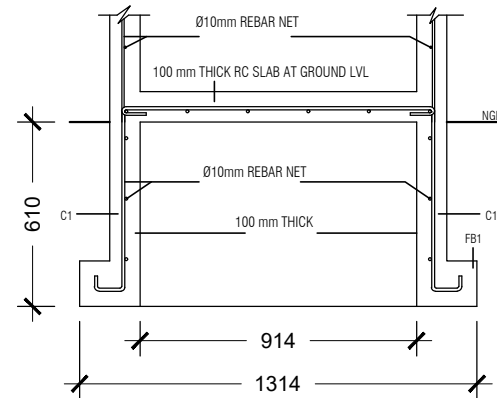




OUTLET TYPE-A



TOP VIEW

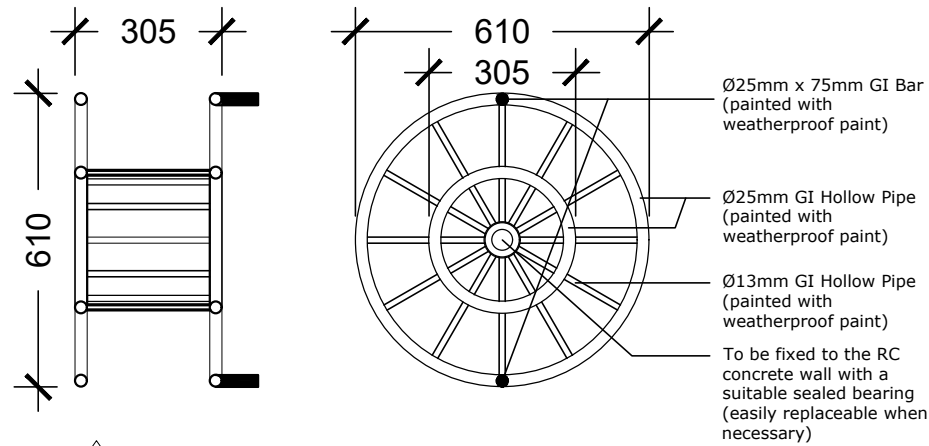


FRONT VIEW

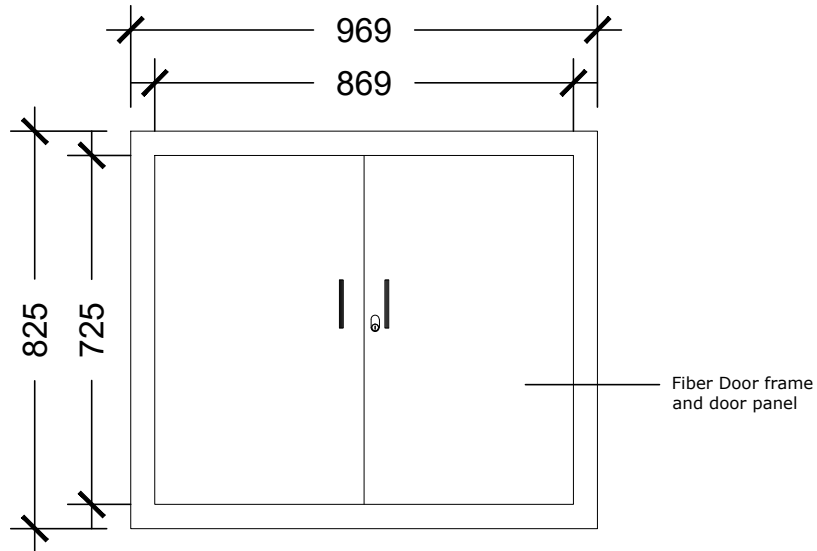


DESIGN:	Sharwath / Yamaan
DRAWN BY:	Sharwath / Yamaan
PROJECT:	Utility outlet
DATE:	10- 10- 2023





△ HOSE REEL DETAIL

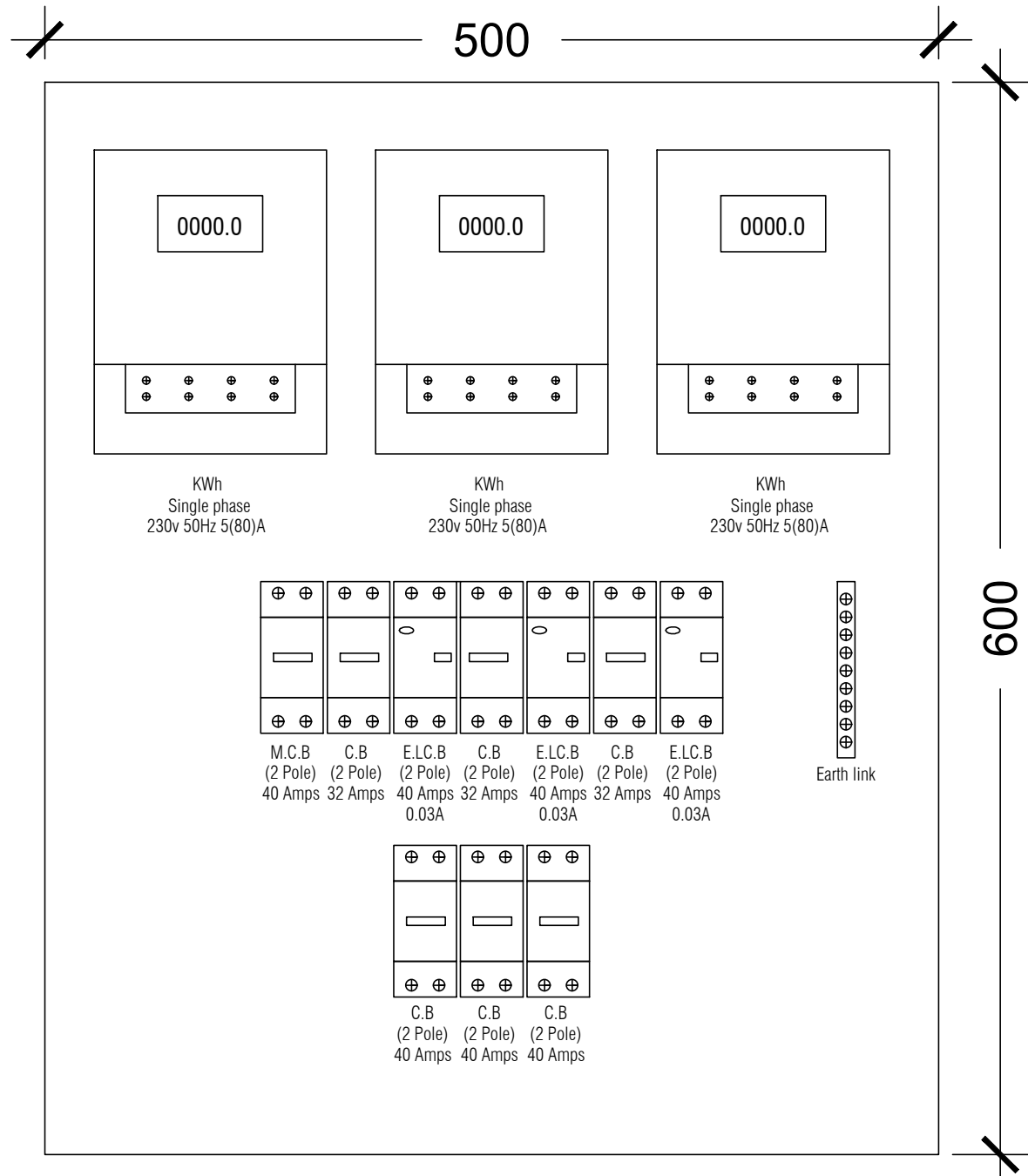


△ D1 DETAIL



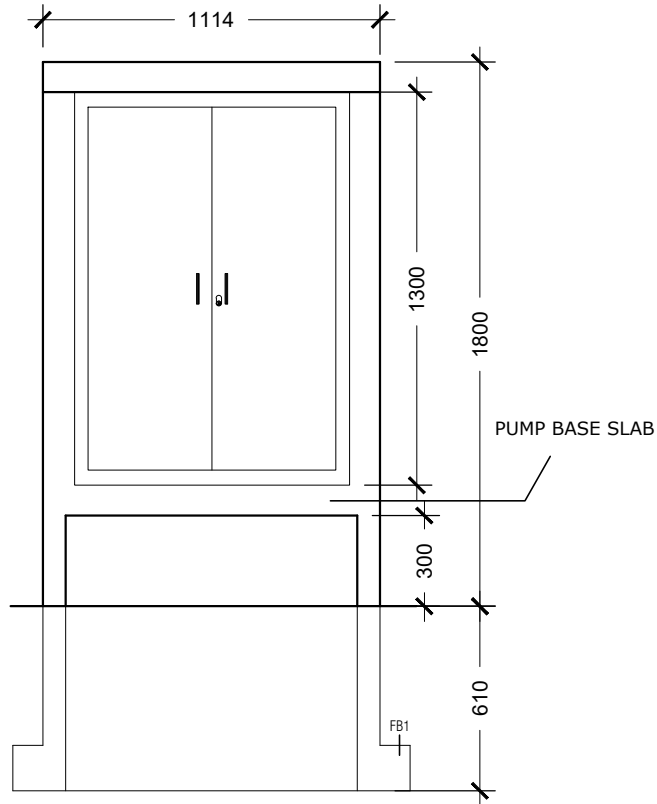
DESIGN:	Sharwath / Yamaan
DRAWN BY:	Sharwath / Yamaan
PROJECT:	Utility outlet
DATE:	10- 10- 2023



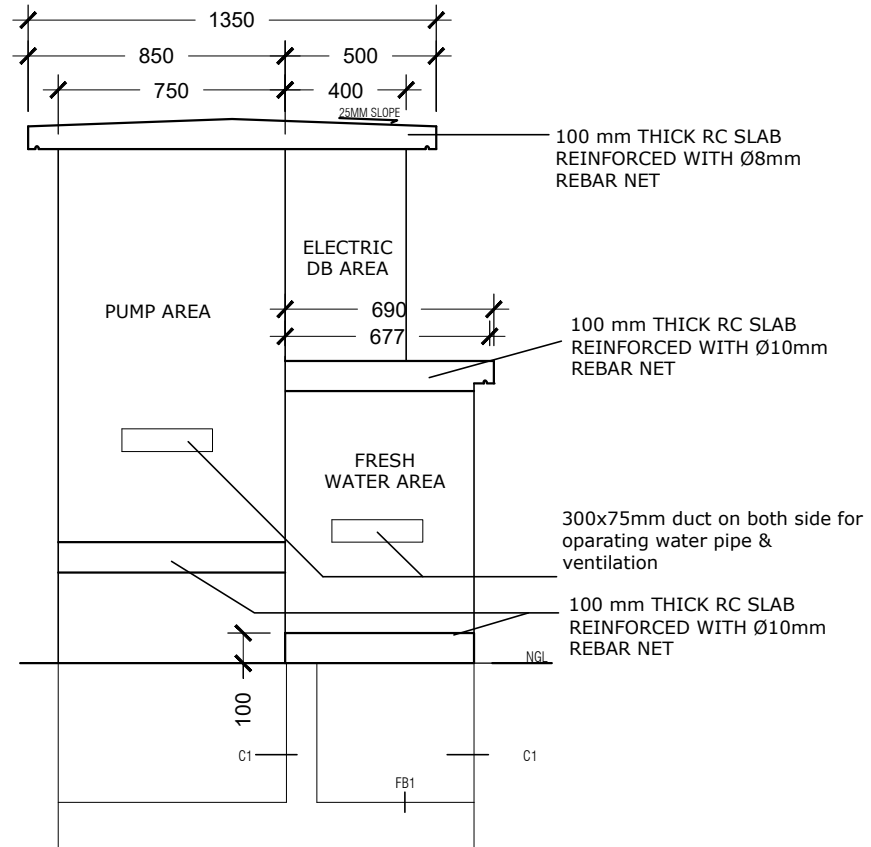


DESIGN:	Sharwath / Yamaan
DRAWN BY:	Sharwath / Yamaan
PROJECT:	Utility outlet
DATE:	10- 10- 2023





PUMP AREA FRONT VIEW
UTILITY OUTLET TYPE-B

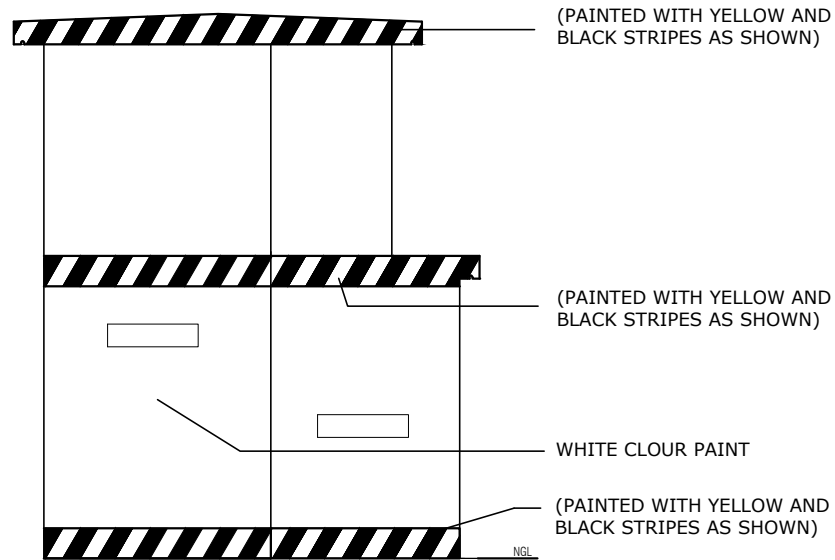


SIDE VIEW
UTILITY OUTLET
TYPE-B



DESIGN:	Sharwath / Yamaan
DRAWN BY:	Sharwath / Yamaan
PROJECT:	Utility outlet
DATE:	10- 10- 2023



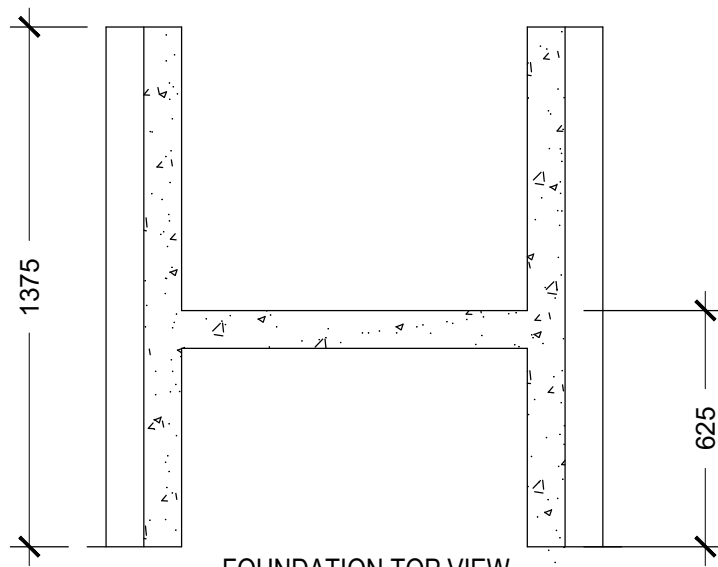


PAINTING DETAIL
UTILITY OUTLET TYPE-B

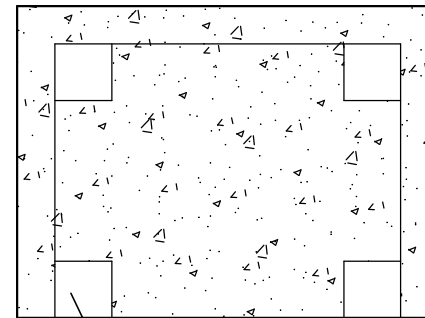


DESIGN:	Sharwath / Yamaan
DRAWN BY:	Sharwath / Yamaan
PROJECT:	Utility outlet
DATE:	10- 10- 2023

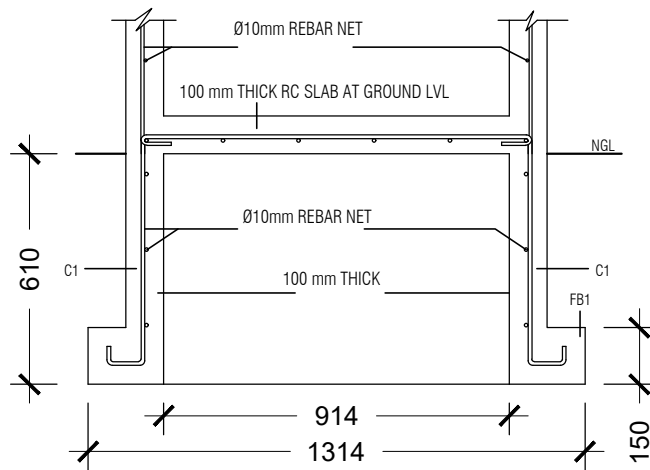




FOUNDATION TOP VIEW
TYPE-B



PUMP BASE TOP VIEW
TYPE-B

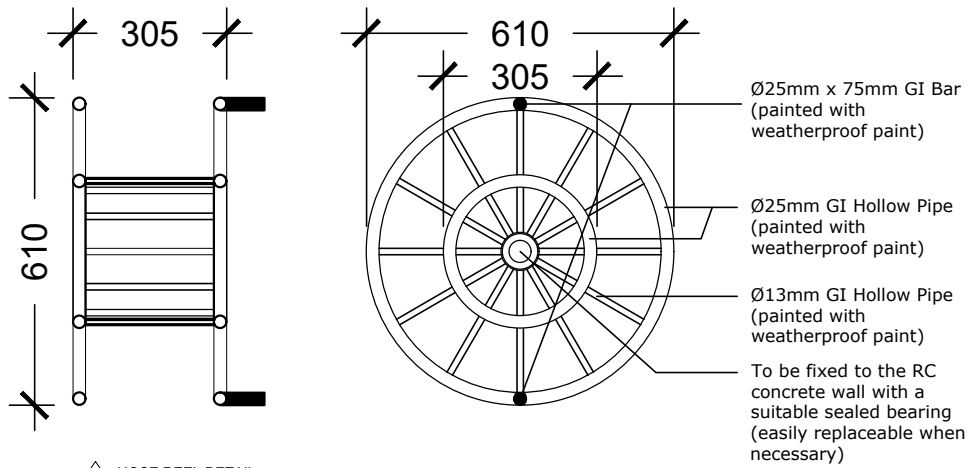


FOUNDATION FRONT VIEW
TYPE-B

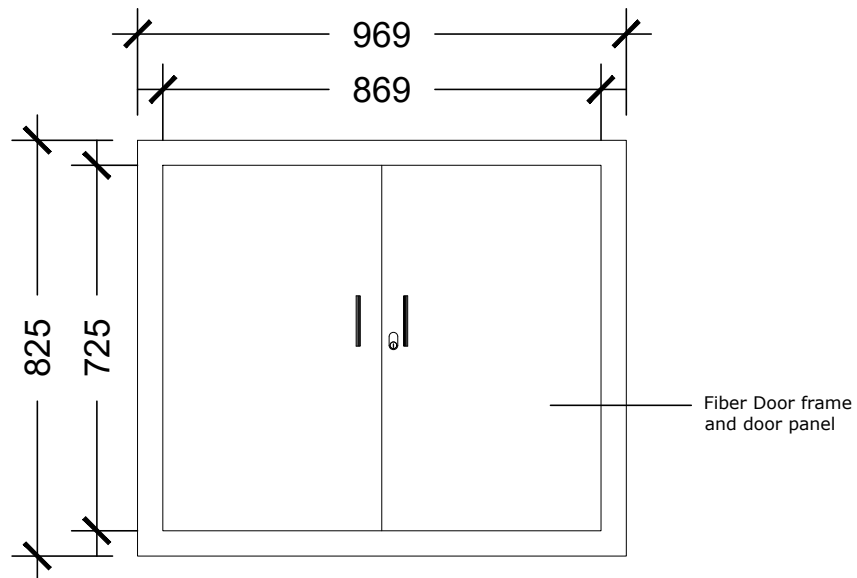


DESIGN:	Sharwath / Yamaan
DRAWN BY:	Sharwath / Yamaan
PROJECT:	Utility outlet
DATE:	10- 10- 2023

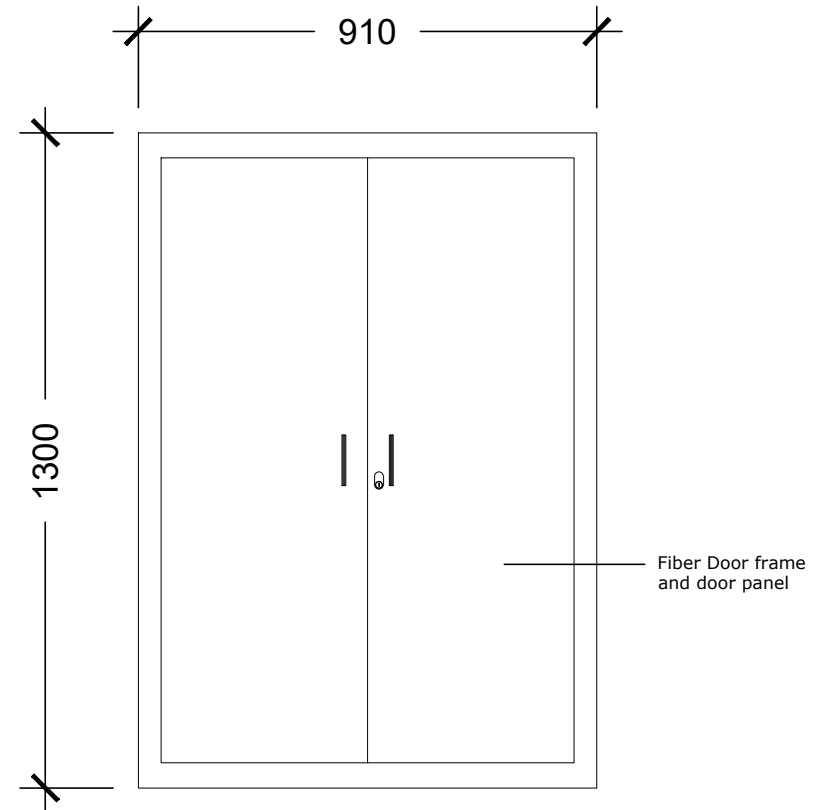




△ HOSE REEL DETAIL



△ D1 DETAIL



△ D2 DETAIL

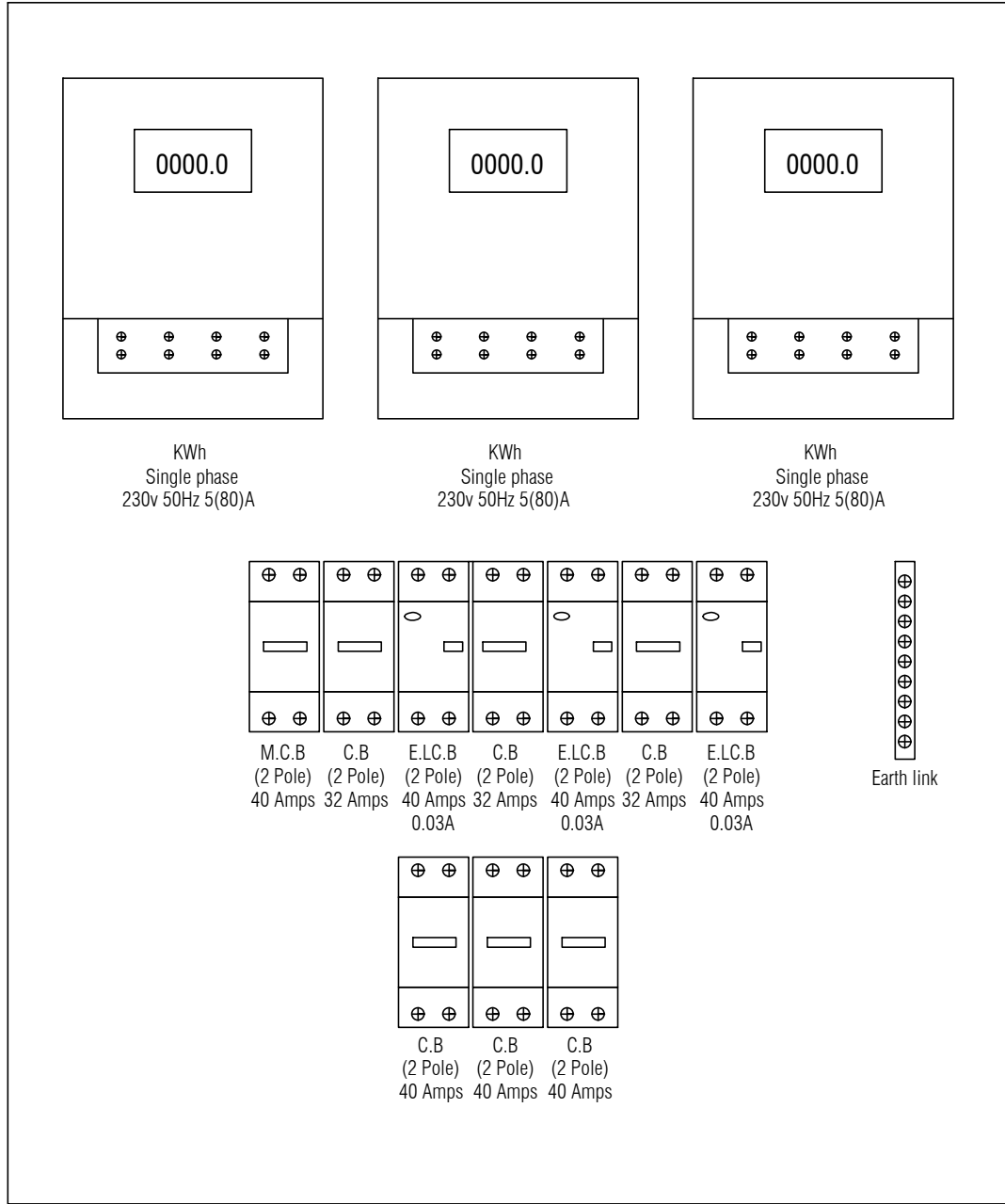


DESIGN:	Sharwath / Yamaan
DRAWN BY:	Sharwath / Yamaan
PROJECT:	Utility outlet
DATE:	10- 10- 2023



500

600



DESIGN:	Sharwath / Yamaan
DRAWN BY:	Sharwath / Yamaan
PROJECT:	Utility outlet
DATE:	10- 10- 2023



3 ފަންނަ

BOQ SHEET



lhnaifarucouncil



www.naifaru.gov.mv



info@naifaru.gov.mv



6620008

- انٽرنيٽي ۽ ڊيجيٽل سروسون کي استعمال ڪندي، انٽرنيٽي ۽ ڊيجيٽل سروسون کي استعمال ڪندي، انٽرنيٽي ۽ ڊيجيٽل سروسون کي استعمال ڪندي، انٽرنيٽي ۽ ڊيجيٽل سروسون کي استعمال ڪندي.

سرو	ڊيٽا #	سرو	سرو

3. ڊيٽا

ڊيٽا ڊيٽا ڊيٽا

1. ڊيٽا ڊيٽا ڊيٽا	
	سرو
	سرو ڊيٽا ڊيٽا ڊيٽا
	سرو ڊيٽا ڊيٽا ڊيٽا
	سرو ڊيٽا ڊيٽا ڊيٽا
	سرو ڊيٽا ڊيٽا ڊيٽا
	سرو ڊيٽا ڊيٽا ڊيٽا
	سرو ڊيٽا ڊيٽا ڊيٽا
	سرو ڊيٽا ڊيٽا ڊيٽا
2. ڊيٽا ڊيٽا ڊيٽا (ڊيٽا ڊيٽا ڊيٽا، ڊيٽا ڊيٽا ڊيٽا، ڊيٽا ڊيٽا ڊيٽا)	
	سرو
	سرو ڊيٽا ڊيٽا ڊيٽا
	سرو ڊيٽا ڊيٽا ڊيٽا
	سرو ڊيٽا ڊيٽا ڊيٽا
3. ڊيٽا ڊيٽا ڊيٽا	
	1
	2
	3
	4
	5
	6



	7
	8
	9
	10

ދިވެހިސަރުކާރުގެ ގެޒެޓްގައި ބަޔާންކޮށްފައިވާ ގޮތުގައި ފަލުކު ދަރިވަރުންނަށް ފަލުކު ދަރިވަރުންގެ ތަންފާއި ފަލުކު ދަރިވަރުންގެ ތަންފާ ފަލުކު ދަރިވަރުންގެ ތަންފާ.

4 ވަނަ ބައި

ބޭނުންކުރާ ފަލުކު ދަރިވަރުން

ބޭނުންކުރާ ފަލުކު ދަރިވަރުންގެ ތަންފާ			
ފަލުކު ދަރިވަރުންގެ ތަންފާ (ފަލުކު ދަރިވަރުން)	ފަލުކު ދަރިވަރުން	ފަލުކު ދަރިވަރުން	#
			1
			2
			3
			4
			5
ދަށުން			

ބޭނުންކުރާ ފަލުކު ދަރިވަރުން

	ފަލުކު ދަރިވަރުން:
	ނަންމު:
	މަތީ:
	ފަލުކު ދަރިވަރުންގެ ތަންފާ:
	މަތީ:
	ފަލުކު:



ಹೊರತು: _____

ಪುಟ 5

ಪುಟ 3 (ಮೊತ್ತ) ಅಂತಿಮ ಹಣಕಾಸು ವರದಿ ಮತ್ತು ಸಂವಹನ ವರದಿ

ಪುಟ 3 (ಮೊತ್ತ) ಅಂತಿಮ ಹಣಕಾಸು ವರದಿ ಮತ್ತು ಸಂವಹನ ವರದಿ				
(ಮೊತ್ತ ಮತ್ತು ಹಣಕಾಸು ವರದಿ ಮತ್ತು ಸಂವಹನ ವರದಿ ಮತ್ತು ಸಂವಹನ ವರದಿ)				
#	ವಿವರಣೆ	ಮೊತ್ತ	ಮೊತ್ತ	ಮೊತ್ತ
1.				
2.				
3.				
4.				
5.				
6.				
7.				
8.				
9.				
10.				

ಪುಟ 3 (ಮೊತ್ತ) ಅಂತಿಮ ಹಣಕಾಸು ವರದಿ ಮತ್ತು ಸಂವಹನ ವರದಿ

ಹೊರತು: _____
ಮೊತ್ತ: _____
ಮೊತ್ತ: _____
ಮೊತ್ತ: _____
ಮೊತ್ತ: _____
ಮೊತ್ತ: _____



بخش ششم

معیارهای سنجش صلاحیت شرکتها در زمینه (۱۰) ارفو (تأمین آب آشامیدنی)

1.

#	معیارهای سنجش صلاحیت	وزن / درصد
1.1	<p>تاریخچه شرکت در زمینه ارفو</p> $\text{Marks} = \frac{\text{Minimum Price}}{\text{Proposed Price}} \times 50\%$	50%
1.2	<p>معیارهای سنجش صلاحیت شرکتها در زمینه ارفو شامل:</p> <p>تاریخچه شرکت در زمینه ارفو، سابقه شرکتها در زمینه ارفو، سابقه شرکتها در زمینه ارفو، سابقه شرکتها در زمینه ارفو، سابقه شرکتها در زمینه ارفو.</p> <p>تاریخچه شرکتها در زمینه ارفو (سابقه شرکتها) در زمینه ارفو، سابقه شرکتها در زمینه ارفو، سابقه شرکتها در زمینه ارفو، سابقه شرکتها در زمینه ارفو.</p> <p>4 شرکتها در زمینه ارفو، سابقه شرکتها در زمینه ارفو، سابقه شرکتها در زمینه ارفو، سابقه شرکتها در زمینه ارفو.</p>	20%
1.3	<p>تاریخچه شرکتها در زمینه ارفو (سابقه شرکتها) در زمینه ارفو، سابقه شرکتها در زمینه ارفو، سابقه شرکتها در زمینه ارفو، سابقه شرکتها در زمینه ارفو.</p> <p>150,000 نفر، سابقه شرکتها در زمینه ارفو، سابقه شرکتها در زمینه ارفو، سابقه شرکتها در زمینه ارفو، سابقه شرکتها در زمینه ارفو.</p> <p>100,000 نفر، سابقه شرکتها در زمینه ارفو، سابقه شرکتها در زمینه ارفو، سابقه شرکتها در زمینه ارفو، سابقه شرکتها در زمینه ارفو.</p> <p>75,000 نفر، سابقه شرکتها در زمینه ارفو، سابقه شرکتها در زمینه ارفو، سابقه شرکتها در زمینه ارفو، سابقه شرکتها در زمینه ارفو.</p> <p>50,000 نفر، سابقه شرکتها در زمینه ارفو، سابقه شرکتها در زمینه ارفو، سابقه شرکتها در زمینه ارفو، سابقه شرکتها در زمینه ارفو.</p>	10%
1.4	<p>تاریخچه شرکتها در زمینه ارفو، سابقه شرکتها در زمینه ارفو، سابقه شرکتها در زمینه ارفو، سابقه شرکتها در زمینه ارفو.</p> $\text{Marks} = \frac{\text{Minimum period}}{\text{Proposed Period}} \times 20\%$	20%

2.

تاریخچه شرکتها	سابقه شرکتها	معیارهای سنجش صلاحیت شرکتها
----------------	--------------	-----------------------------



✓	٧ (G-23/2022)
---	------------------

٧

٧

Form of Tender Security (Bank Guarantee)

The Issuing Bank shall fill in this Bank Guarantee Form in accordance with the instructions indicated.

..... {Bank's Name, and Address of Issuing Branch or Office}

Beneficiary: {Name and Address of Employer}

Date:

TENDER GUARANTEE No.: _____

We have been informed that _____ {name of the Tenderer} (hereinafter called "the Tenderer") has submitted to you its Tender dated _____ (hereinafter called "the Tender") for the execution of _____ {name of contract} under Invitation for Tenders No. _____ ("the IFB").

Furthermore, we understand that, according to your conditions, Tenders must be supported by a Tender guarantee. At the request of the Tenderer, we _____ {name of Bank} hereby irrevocably undertake to pay you any sum or sums not exceeding in total an amount of _____ [amount in figures] (_____ [amount in words]) upon receipt by us of your first demand in writing accompanied by a written statement stating that the Tenderer is in breach of its obligation(s) under the Tender conditions, because the Tenderer:

(a) has withdrawn its Tender during the period of Tender validity specified by the Tenderer in the Form of Tender; or

(b) having been notified of the acceptance of its Tender by the Employer during the period of Tender validity, (i) fails or refuses to execute the Contract Form, if required, or (ii) fails or refuses to furnish the performance security, in accordance with the ITB.

This guarantee will expire: (a) if the Tenderer is the successful Tenderer, upon our receipt of copies of the contract signed by the Tenderer and the performance security issued to you upon the instruction of the Tenderer; and (b) if the Tenderer is not the successful Tenderer, upon the earlier of (i) our receipt of a copy your notification to the Tenderer of the name of the successful Tenderer; or (ii) {insert date} twenty-eight days after the expiration of the Tenderer's Tender.

Consequently, any demand for payment under this guarantee must be received by us at the office on or before that date.

This guarantee is subject to the Uniform Rules for Demand Guarantees, ICC Publication No. 458

[Signature(s)]



Performance Security

[The issuing bank, as requested by the successful Contractor, shall fill in this form in accordance with the instructions indicated]

Date: [insert date (as day, month, and year)]

Title of the procurement: [Insert general title of the procurement]

Procurement Reference No: [insert reference]

Bank's Branch or Office: [insert complete name of Guarantor]

Beneficiary: [insert complete name of Employer/Procuring Entity]

Performance Guarantee No:

We have been informed that [name of the Contractor], (hereinafter called "the Contractor") has entered into Contract No. [procurement reference number of the Contract]. dated [insert day and month], [insert year], with you, for the execution of [name of contract and brief description of Works] (hereinafter called "the Contract").

Furthermore, we understand that, according to the conditions of the Contract, a performance guarantee is required.

At the request of the Contractor, we [name of the Bank] hereby irrevocably undertake to pay you any sum or sums not exceeding in total an amount of [name of the currency and amount in figures] 1.... (. [amount in words]) such sum being payable in the types and proportions of currencies in which the Contract Price is payable, upon receipt by us of your first demand in writing accompanied by a written statement stating that the Contractor is in breach of its obligation(s) under the Contract, without your needing to prove or to show grounds for your demand or the sum specified therein. This guarantee shall expire, no later than the day of, 2, and any demand for payment under it must be received by us at this office on or before that date. The Guarantor agrees to a one-time extension of this guarantee for a period not to exceed [six months] [one year], in response to the Employer's written request for such extension, such request to be presented to the Guarantor before the expiry of the guarantee.

This guarantee is subject to the Uniform Rules for Demand Guarantees, ICC Publication No. 458, except that subparagraph (ii) of Sub-article 20(a) is hereby excluded.

..... [Seal of Bank and Signature(s)]

Note: -

All italicized text is for guidance on how to prepare this demand guarantee and shall be deleted from the final document.

1 The Guarantor shall insert an amount representing the percentage of the Contract Price specified in the Contract and denominated either in the currency (ies) of the Contract or a freely convertible currency acceptable to the Employer.

2 Insert the date twenty-eight days after the expected completion date. The Employer should note that in the event of an extension of the time for completion of the Contract, the Employer would need to request an extension of this guarantee from the Guarantor. Such request must be in writing and must be made prior to the expiration date established in the guarantee.



Advance Payment Security

[The bank, as requested by the successful Contractor, shall fill in this form in accordance with the instructions indicated.]

Date: [insert date (as day, month, and year)]

Title of the Procurement: [Insert general title of the procurement]

Procurement Reference No: [insert reference]

[Issuing bank's letterhead]

Beneficiary: [insert legal name and address of Procuring Entity]

ADVANCE PAYMENT GUARANTEE No.: [insert Advance Payment Guarantee no.]

Advance Payment Guarantee No:

We have been informed that [name of the Contractor] (hereinafter called "the Contractor") has entered into Contract No. [procurement reference number of the Contract], dated [insert day and month], [insert year] with you, for the execution of [name of contract and brief description of Works] (hereinafter called "the Contract").

Furthermore, we understand that, according to the Conditions of the Contract, an advance payment in the sum [name of the currency and amount in figures] 1 (..... [amount in words]) is to be made against an advance payment guarantee.

At the request of the Contractor, we [name of the Bank]. hereby irrevocably undertake to pay you any sum or sums not exceeding in total an amount of [name of the currency and amount in figures] * (..... [amount in words]) upon receipt by us of your first demand in writing accompanied by a written statement stating that the Contractor is in breach of its obligation under the Contract because the Contractor used the advance payment for purposes other than the costs of mobilization in respect of the Works.

It is a condition for any claim and payment under this guarantee to be made that the advance payment referred to above must have been received by the Contractor on its account number [Contractor's account number]. at [name and address of the Contractor's Bank].

The maximum amount of this guarantee shall be progressively reduced by the amount of the advance payment repaid by the Contractor as indicated in copies of interim statements or payment certificates which shall be presented to us. This guarantee shall expire, at the latest, upon our receipt of a copy of the interim payment certificate indicating that eighty (80) percent of the Contract Price has been certified for payment, or on the day of 2, whichever is earlier. Consequently, any demand for payment under this guarantee must be received by us at this office on or before that date. The Guarantor agrees to a one-time extension of this guarantee for a period not to exceed [six months] [one year], in response to the Employer's written request for such extension, such request to be presented to the Guarantor before the expiry of the guarantee.

This guarantee is subject to the Uniform Rules for Demand Guarantees, ICC Publication No. 458.

..... [Seal of Bank and Signature(s)]

Note:

All italicized text is for guidance in preparing this demand guarantee and shall be deleted from the final document.

1 The Guarantor shall insert an amount representing the amount of the advance payment denominated either in the currency(ies) of the advance payment as specified in the Contract, or in a freely convertible currency acceptable to the Employer.

2 Insert the expected expiration date of the Time for Completion. The Employer should note that in the event of an extension of the time for completion of the Contract, the Employer would need to request an extension of this guarantee from the Guarantor. Such request must be in writing and must be made prior to the expiration date established in the guarantee.

