

PROPOSED TWO STOREY GYM
BUILDING AT B. KENDHOO

ARCHITECTURAL & STRUCTURAL DRAWINGS

CLIENT: KENDHOO
COUNCIL

AUG 2023



Associates Architects

S M A S S O C I A T E S A R C H I T E C T S
R I H I K U R I (1 S T F L O O R) , N I R O L H U M A G U
N E I G H B O R H O O D 1 , H U L H U M A L E '
T E L : (9 6 0) 7 8 2 6 2 6 0 , (9 6 0) 7 9 7 7 1 1 9
E M A I L : I N F O @ S M C O L L E C T I V E S . N E T



Associates Architects

RIHIKURI (1ST FLOOR), NIROLHU MAGU
NEIGHBORHOOD 1, HULHUMALE'
TEL: (960) 7826260, (960) 7977119
EMAIL: INFO@SMCOLLECTIVES.NET

NOTES:

NO.	DESCRIPTION	DATE
REV A0	ISSUED FOR REVIEW	12-APR-23

GYM & OFFICE

PROPOSED TWO STOREY GYM AND
OFFICES AT B. KENDHOO

Client: KENDHOO COUNCIL

Architect: ISHA
 Drafting: WAFA
 Engineer: ADAM
 Structural Checker: ZUHAL
 Architectural Checker: LAYANA

Drawing Title: AS SHOWN

Issue: IFR Date: APR 2023 Pages: 12

Scale: 1:100 Paper: A4

Dwg #: AR2324-A01- REV[A0]

17 FT WIDE ROAD

15240
[50']

12192
[40']

EXISTING PLOT

12192
[40']

17 FT WIDE ROAD

PROPOSED TWO STOREY
BUILDING

14760
[48'-5"]

480
[1'-7"]

15240
[50']

EXISTING PLOT



SITE PLAN

SCALE 1:100



PLOT AREA:

PROPOSED BUILDING FOOTPRINT AREA:

OPEN AREA:

30.63 SQM

29.98 SQM (98%)

0.65 SQM (2%)

NOTES:

NO.	DESCRIPTION	DATE
REV A0	ISSUED FOR REVIEW	12-APR-23

GYM & OFFICE

PROPOSED TWO STOREY GYM AND
OFFICES AT B. KENDHOO

Client: KENDHOO COUNCIL

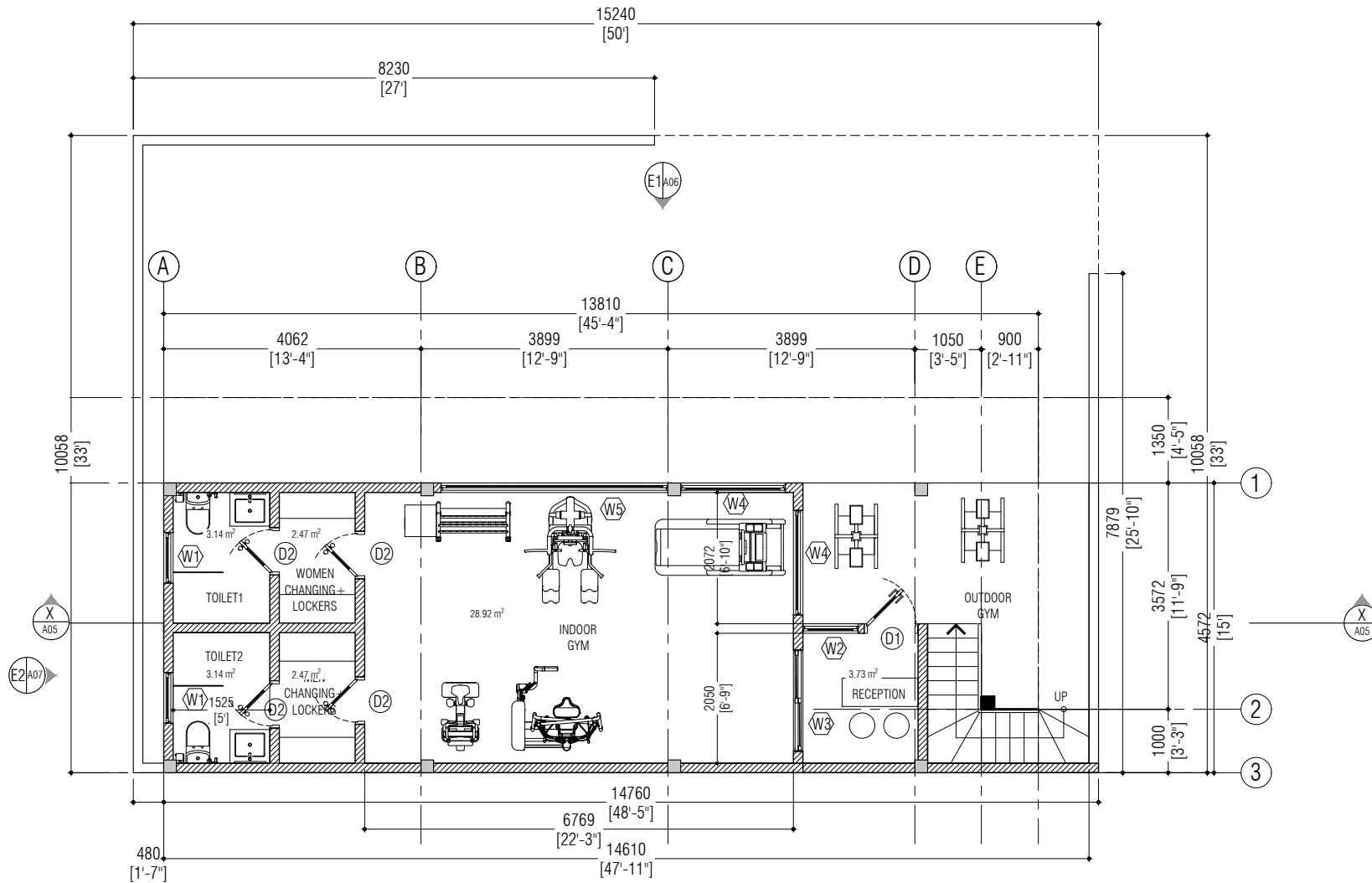
Architect: ISHA
Drafting: WAFA
Engineer: ADAM
Structural Checker: ZUHAL
Architectural Checker: LAYANA

Drawing Title: AS SHOWN

Issue: IFR Date: APR 2023 Pages: 12

Scale: 1:100 Paper: A4

Dwg #: AR2324-A02- REV[A0]



01 GROUND FLOOR PLAN
A02 SCALE 1:100

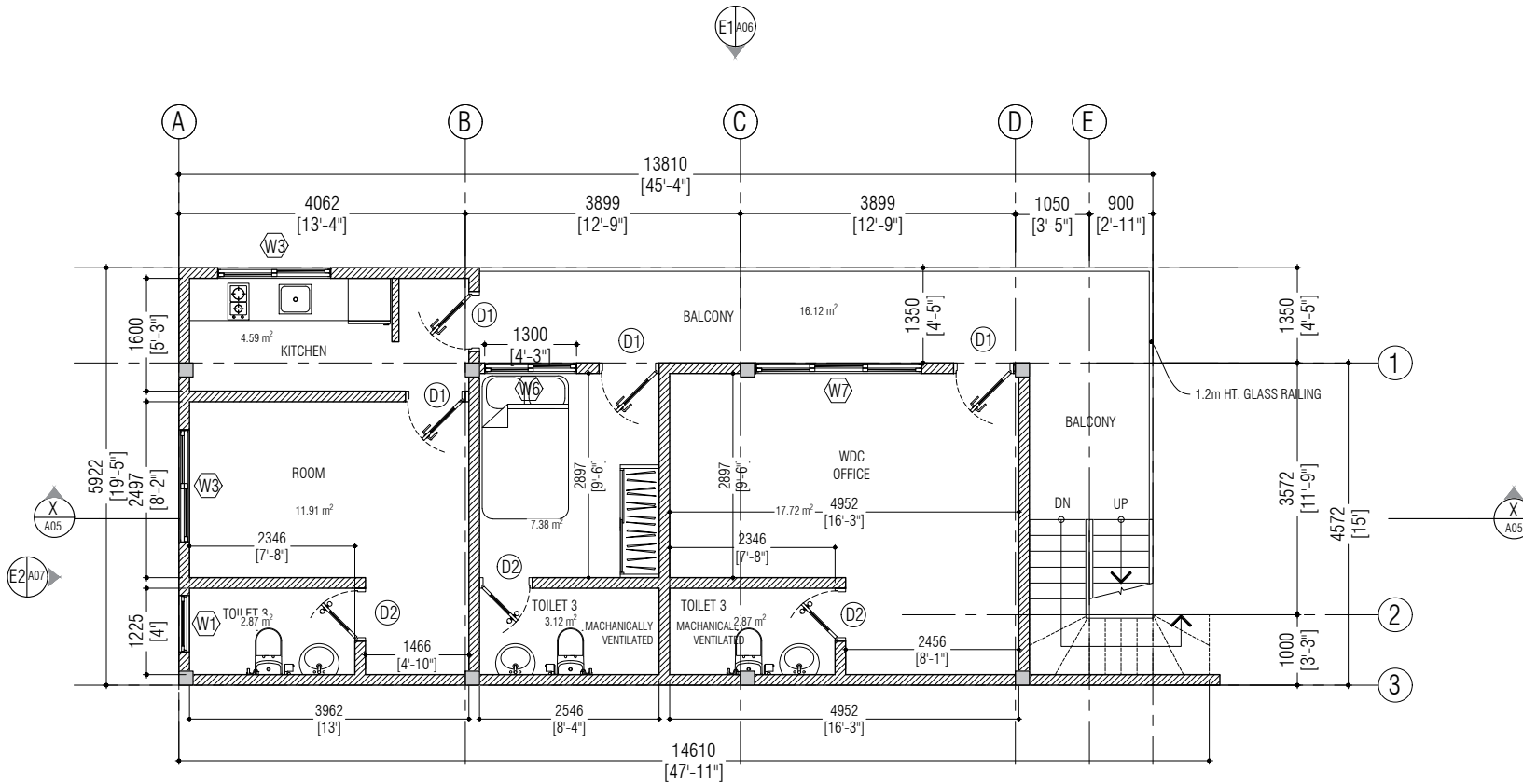




Associates Architects

RIHKURI (1ST FLOOR), NIROLHU MAGU
NEIGHBORHOOD 1, HULHUMALE'
TEL: (960) 7826260, (960) 7977119
EMAIL: INFO@SMCOLLECTIVES.NET

NOTES:



01 FIRST FLOOR PLAN

SCALE 1:100



NO.	DESCRIPTION	DATE
REV A0	ISSUED FOR REVIEW	12-APR-23

GYM & OFFICE

PROPOSED TWO STOREY GYM AND
OFFICES AT B. KENDHOO

Client: KENDHOO COUNCIL

Architect: ISHA
 Drafting: WAFA
 Engineer: ADAM
 Structural Checker: ZUHAL
 Architectural Checker: LAYANA

Drawing Title: AS SHOWN

Issue: IFR Date: APR 2023 Pages: 12

Scale: 1:100 Paper: A4

Dwg #: AR2324-A03- REV[A0]



Associates Architects

RIHIKURI (1ST FLOOR), NIROLHU MAGU
NEIGHBORHOOD 1, HULHUMALE'
TEL: (960) 7826260, (960) 7977119
EMAIL: INFO@SMCOLLECTIVES.NET

NOTES:

NO.	DESCRIPTION	DATE
REV A0	ISSUED FOR REVIEW	12-APR-23

GYM & OFFICE

PROPOSED TWO STOREY GYM AND
OFFICES AT B. KENDHOO

Client: KENDHOO COUNCIL

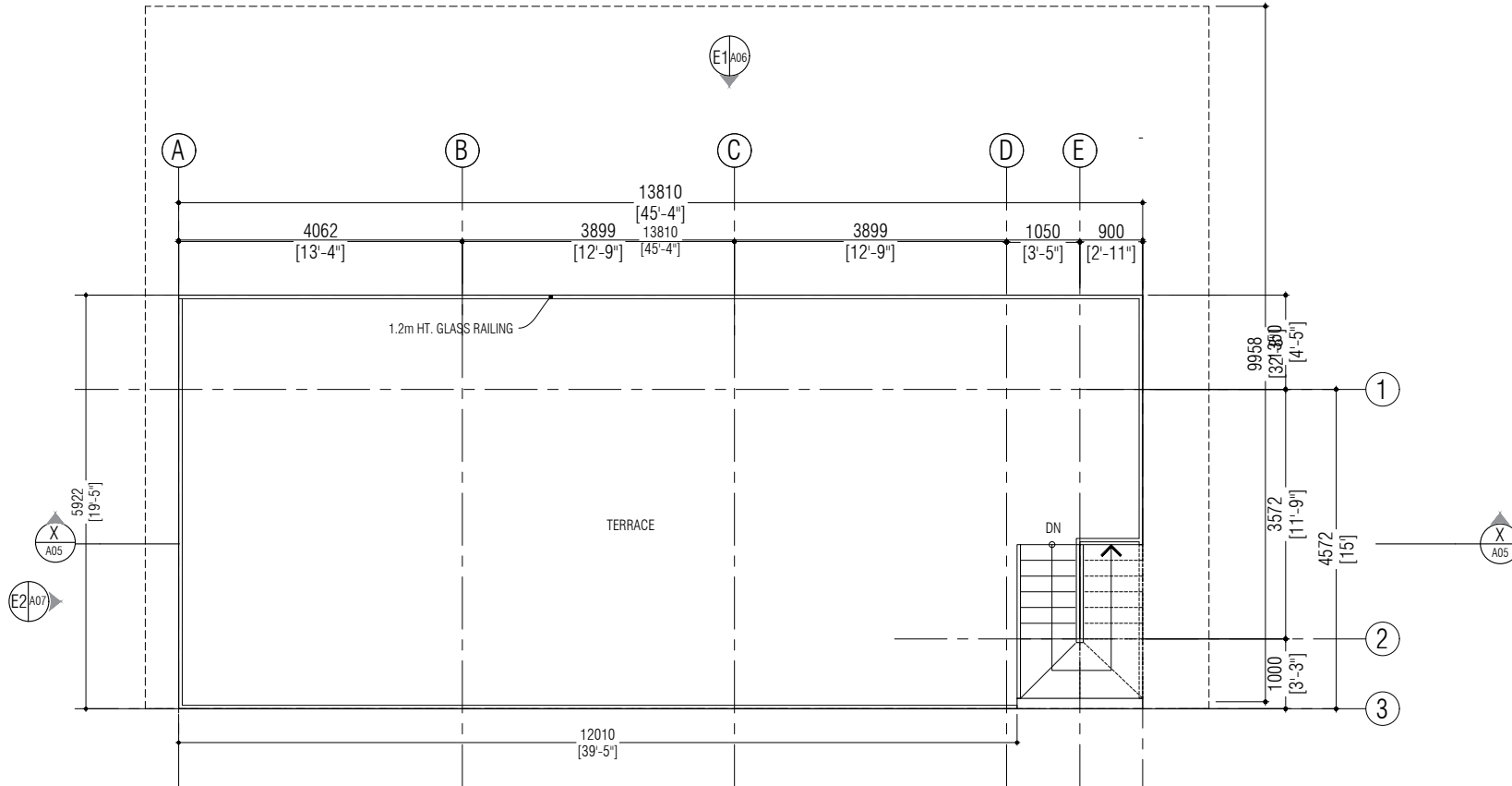
Architect: ISHA
 Drafting: WAFA
 Engineer: ADAM
 Structural Checker: ZUHAL
 Architectural Checker: LAYANA

Drawing Title: AS SHOWN

Issue: IFR Date: APR 2023 Pages: 12

Scale: 1:100 Paper: A4

Dwg #: AR2324-A04- REV[A0]



01 TERRACE FLOOR PLAN
A04

SCALE 1:100

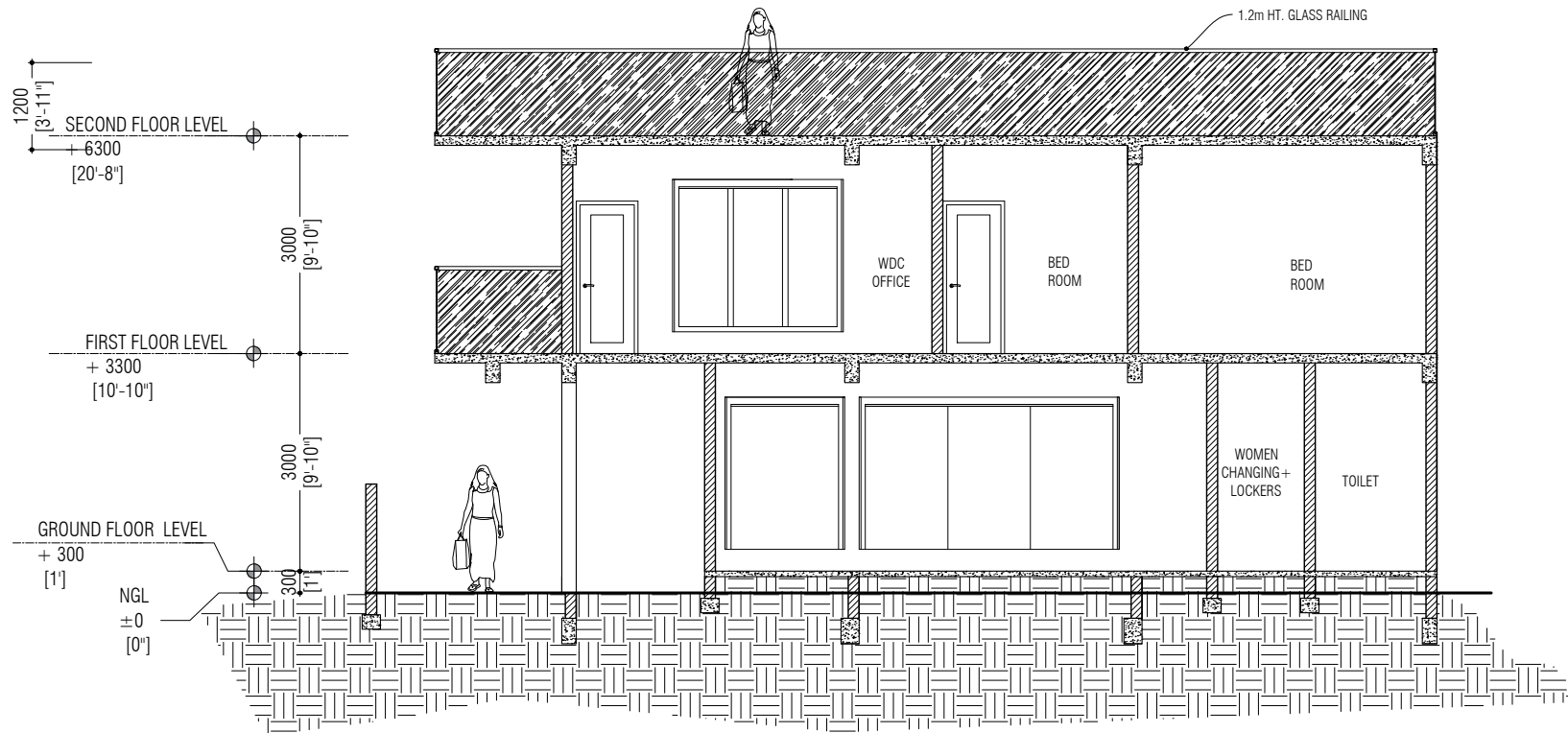




Associates Architects

RIHIKURI (1ST FLOOR), NIROLHU MAGU
NEIGHBORHOOD 1, HULHUMALE'
TEL: (960) 7826260, (960) 7977119
EMAIL: INFO@SMCOLLECTIVES.NET

NOTES:



01 SECTION X:X
A06 SCALE 1:100

NO.	DESCRIPTION	DATE
REV A0	ISSUED FOR REVIEW	12-APR-23

GYM & OFFICE
PROPOSED TWO STOREY GYM AND
OFFICES AT B. KENDHOO

Client: KENDHOO COUNCIL

Architect: ISHA
Drafting: WAFA
Engineer: ADAM
Structural Checker: ZUHAL
Architectural Checker: LAYANA

Drawing Title: AS SHOWN

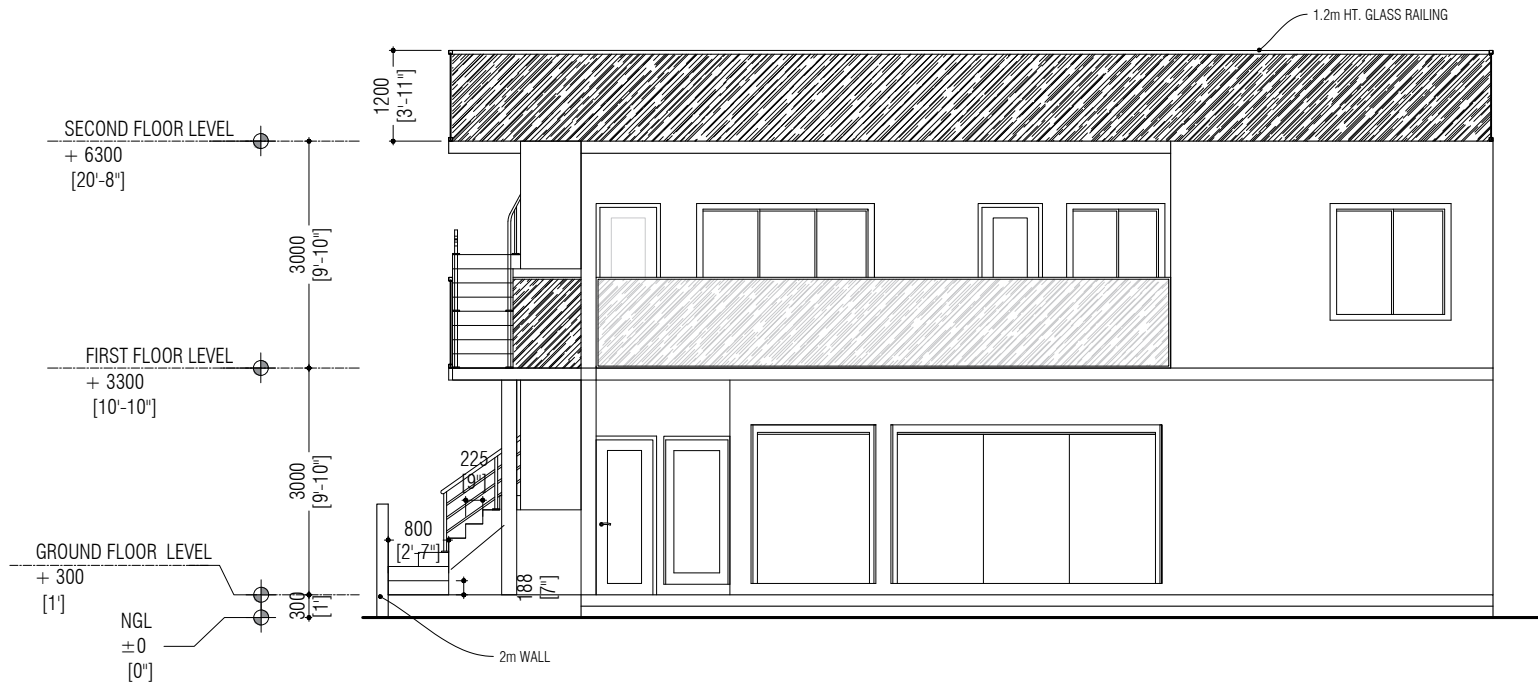
Issue: IFR Date: APR 2023 Pages: 12
Scale: 1:100 Paper: A4
Dwg #: AR2324-A05- REV[A0]



Associates Architects

RIHIKURI (1ST FLOOR), NIROLHU MAGU
NEIGHBORHOOD 1, HULHUMALE'
TEL: (960) 7826260, (960)7977119
EMAIL: INFO@SMCOLLECTIVES.NET

NOTES:



ELEVATION E1

SCALE 1:100



GYM & OFFICE

PROPOSED TWO STOREY GYM AND
OFFICES AT B. KENDHOO

Client: KENDHOO COUNCIL

Architect: ISHA

Drafting: WAFA

Engineer: ADAM

Structural Checker: ZUHAL

Architectural Checker: LAYANA

Drawing Title: AS SHOWN

Issue: IFR Date: APR 2023 Pages: 12

Scale: 1:100 Paper: A4

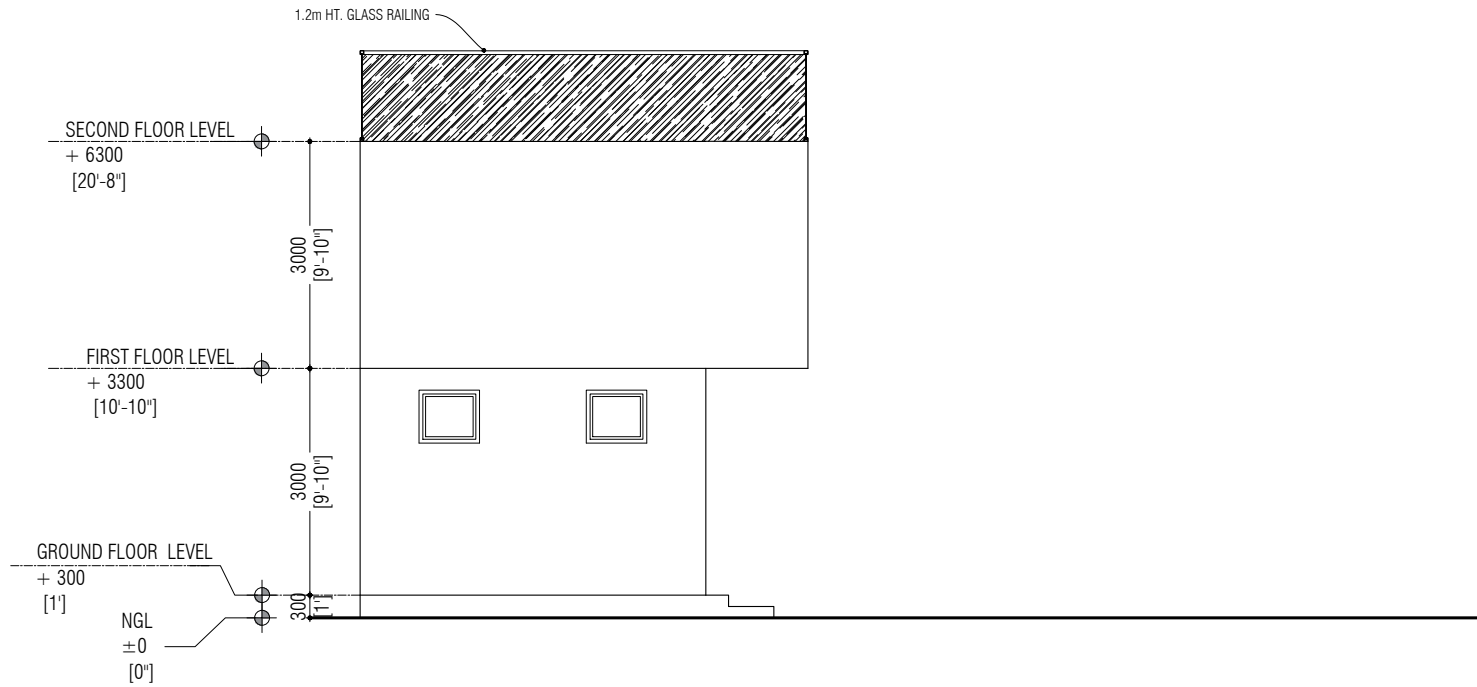
Dwg #: AR2324-A06- REV[A0]



Associates Architects

RIHIKURI (1ST FLOOR), NIROLHU MAGU
NEIGHBORHOOD 1, HULHUMALE'
TEL: (960) 7826260, (960)7977119
EMAIL: INFO@SMCOLLECTIVES.NET

NOTES:



01 ELEVATION E2
A07 SCALE 1:100



NO.	DESCRIPTION	DATE
REV A0	ISSUED FOR REVIEW	12-APR-23

GYM & OFFICE

PROPOSED TWO STOREY GYM AND
OFFICES AT B. KENDHOO

Client: KENDHOO COUNCIL

Architect: ISHA
 Drafting: WAFA
 Engineer: ADAM
 Structural Checker: ZUHAL
 Architectural Checker: LAYANA

Drawing Title: AS SHOWN

Issue: IFR Date: APR 2023 Pages: 12

Scale: 1:100 Paper: A4

Dwg #: AR2324-A07- REV[A0]



Associates Architects

RIHIKURI (1ST FLOOR), NIROLHU MAGU
NEIGHBORHOOD 1, HULHUMALE'
TEL: (960) 7826260, (960)7977119
EMAIL: INFO@SMCOLLECTIVES.NET

NOTES:

NO.	DESCRIPTION	DATE
REV A0	ISSUED FOR REVIEW	12-APR-23

GYM & OFFICE

PROPOSED TWO STOREY GYM AND
OFFICES AT B. KENDHOO

Client: KENDHOO COUNCIL

Architect: ISHA
Drafting: WAFA
Engineer: ADAM
Structural Checker: ZUHAL
Architectural Checker: LAYANA

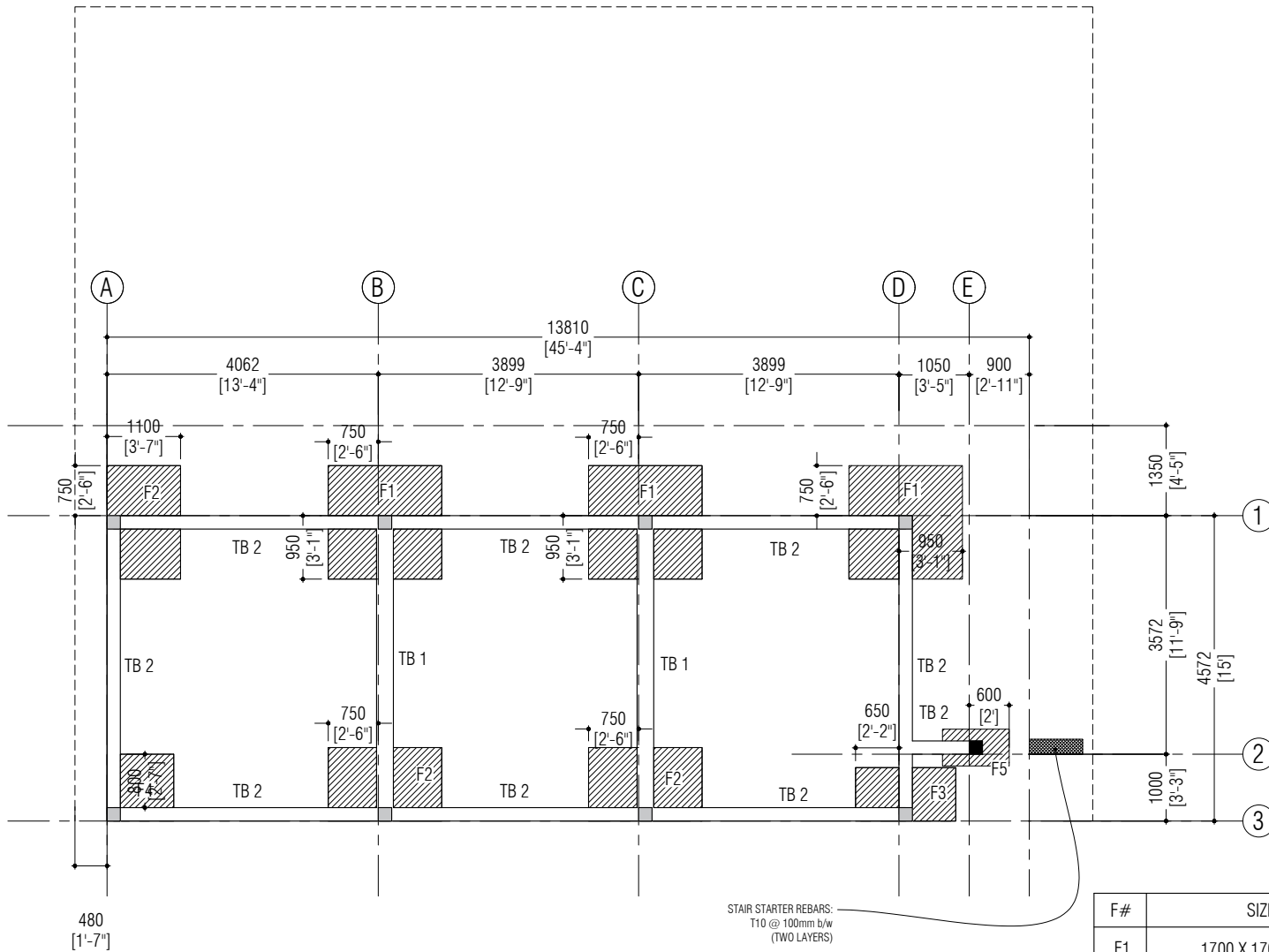
Drawing Title: AS SHOWN

Issue: IFR Date: APR 2023 Pages: 12

Scale: 1:100 Paper: A4

Dwg #: AR2324-A08- REV[A0]

NOTES:



* FOUNDATION DEPTH = 1050mm BELOW FROM NGL
* 80mm GROUND SLAB WITH R-6 200mm SINGLE NET

01 FOUNDATION PLAN
S01 SCALE 1:100



F#	SIZE	REINFORCEMENT
F1	1700 X 1700 X 300	17T10@100 C/C (B1) 17T10@100 C/C (B2)
F2	1100 X 1700 X 300	22T12@75C/C (B1) 14T12@75 C/C (B2)
F3	800 X 1500 X 300	15T10@100 C/C (B1) 8T10@100 C/C (B2)
F4	1000 X 1000 X 300	13T12@75 C/C (B1) 13T12@75 C/C (B2)
F5	550 X 1000 X 300	6T10@200 C/C (B1) 3T10@200 C/C (B2)

GYM & OFFICE

PROPOSED TWO STOREY GYM AND OFFICES AT B. KENDHOO

Client: KENDHOO COUNCIL

Architect: ISHA
Drafting: WAFA
Engineer: ADAM
Structural Checker: ZUHAL
Architectural Checker: LAYANA

Drawing Title: AS SHOWN

Issue: IFR Date: APR 2023 Pages: 12

Scale: 1:100 Paper: A4

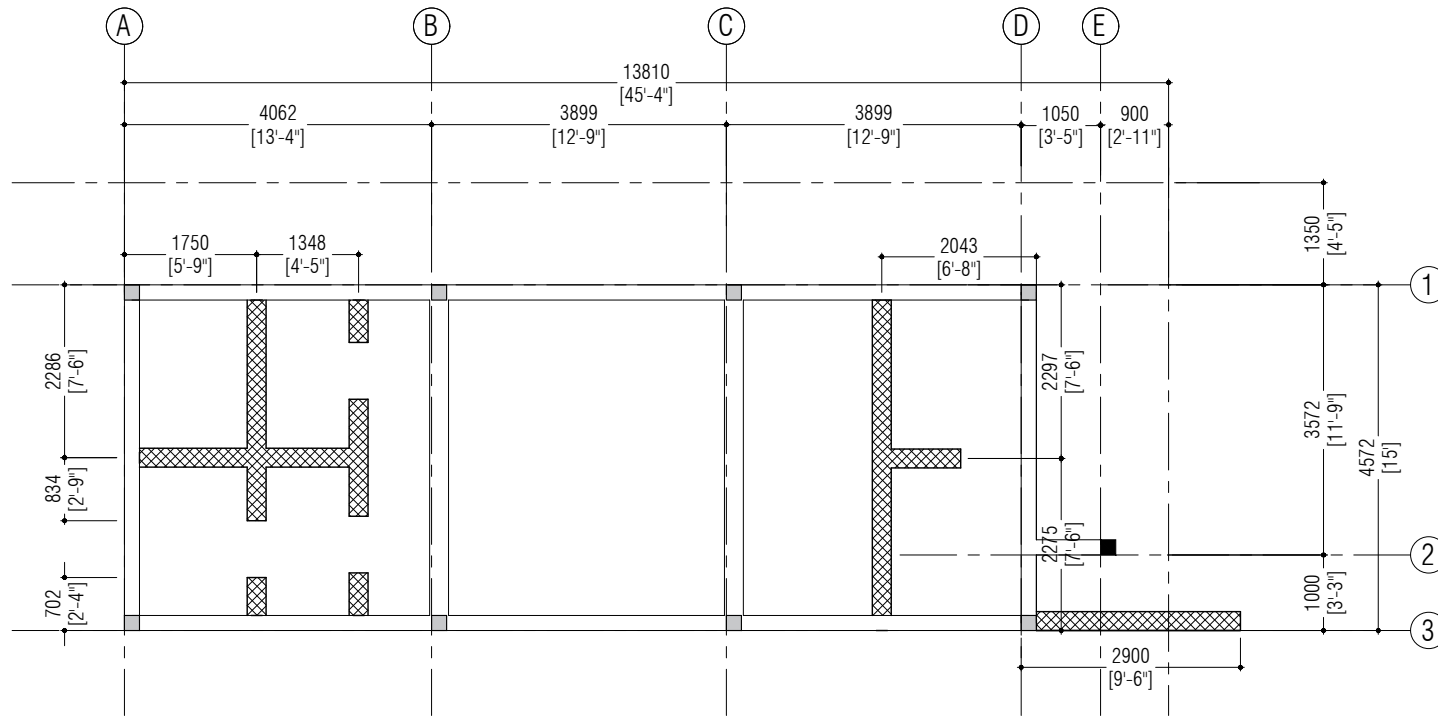
Dwg #: AR2324-S01- REV[A0]




Associates Architects

RIHIKURI (1ST FLOOR), NIROLHU MAGU
NEIGHBORHOOD 1, HULHUMALE'
TEL: (960) 7826260, (960) 7977119
EMAIL: INFO@SMCOLLECTIVES.NET

NOTES:



 250 X 200mm WALL BEAM (WB) - REFER TO
DETAIL ON STRUCTURAL DRAWING



WALL BEAM PLAN

SCALE 1:100



GYM & OFFICE

PROPOSED TWO STOREY GYM AND
OFFICES AT B. KENDHOO

Client: KENDHOO COUNCIL

Architect: ISHA
Drafting: WAFA
Engineer: ADAM
Structural Checker: ZUHAL
Architectural Checker: LAYANA

Drawing Title: AS SHOWN

Issue: IFR Date: APR 2023 Pages: 12

Scale: 1:100 Paper: A4

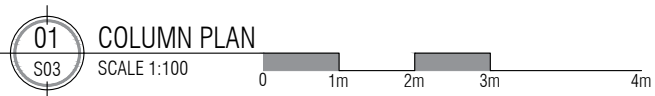
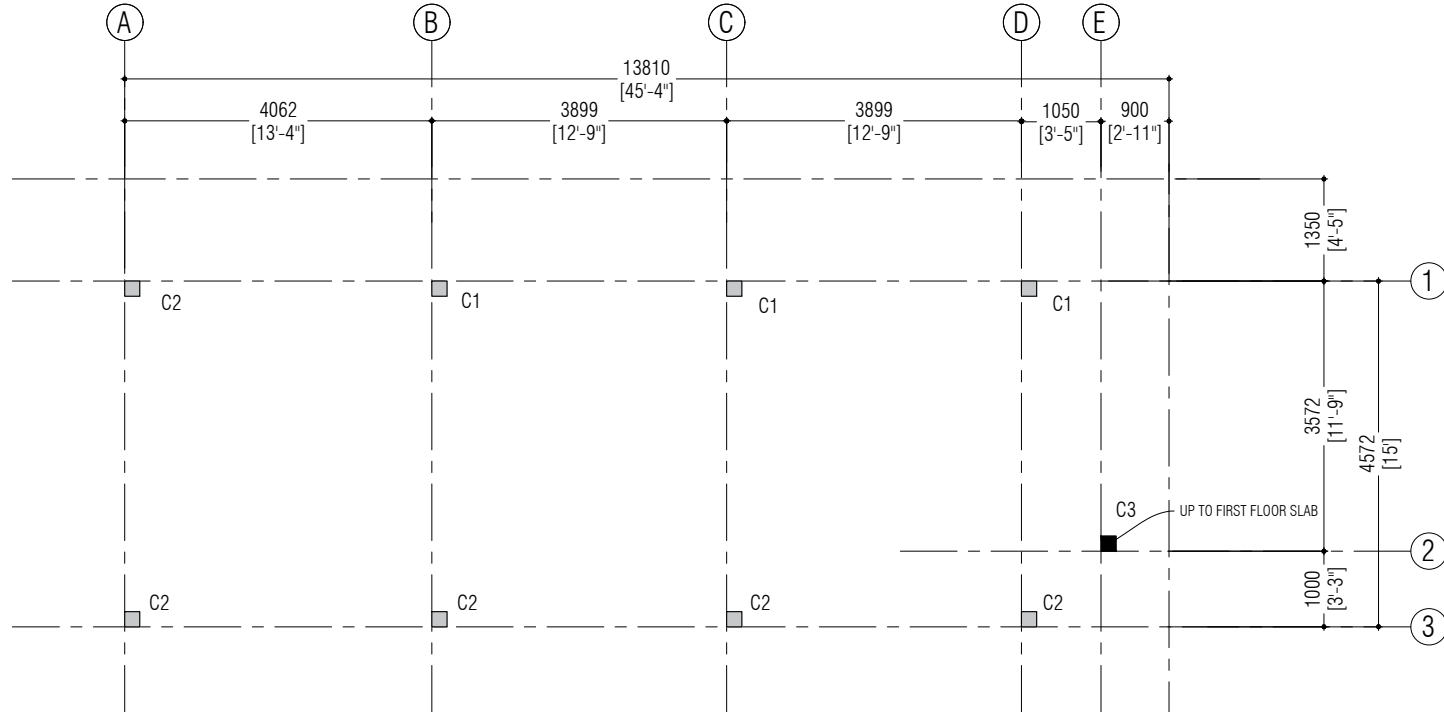
Dwg #: AR2324-S02- REV[A0]



Associates Architects

RIHIKURI (1ST FLOOR), NIROLHU MAGU
NEIGHBORHOOD 1, HULHUMALE'
TEL: (960) 7826260, (960)7977119
EMAIL: INFO@SMCOLLECTIVES.NET

NOTES:



NO.	DESCRIPTION	DATE
REV A0	ISSUED FOR REVIEW	12-APR-23

GYM & OFFICE

PROPOSED TWO STOREY GYM AND
OFFICES AT B. KENDHOO

Client: KENDHOO COUNCIL

Architect: ISHA
 Drafting: WAFA
 Engineer: ADAM
 Structural Checker: ZUHAL
 Architectural Checker: LAYANA

Drawing Title: AS SHOWN

Issue: IFR Date: APR 2023 Pages: 12

Scale: 1:100 Paper: A4

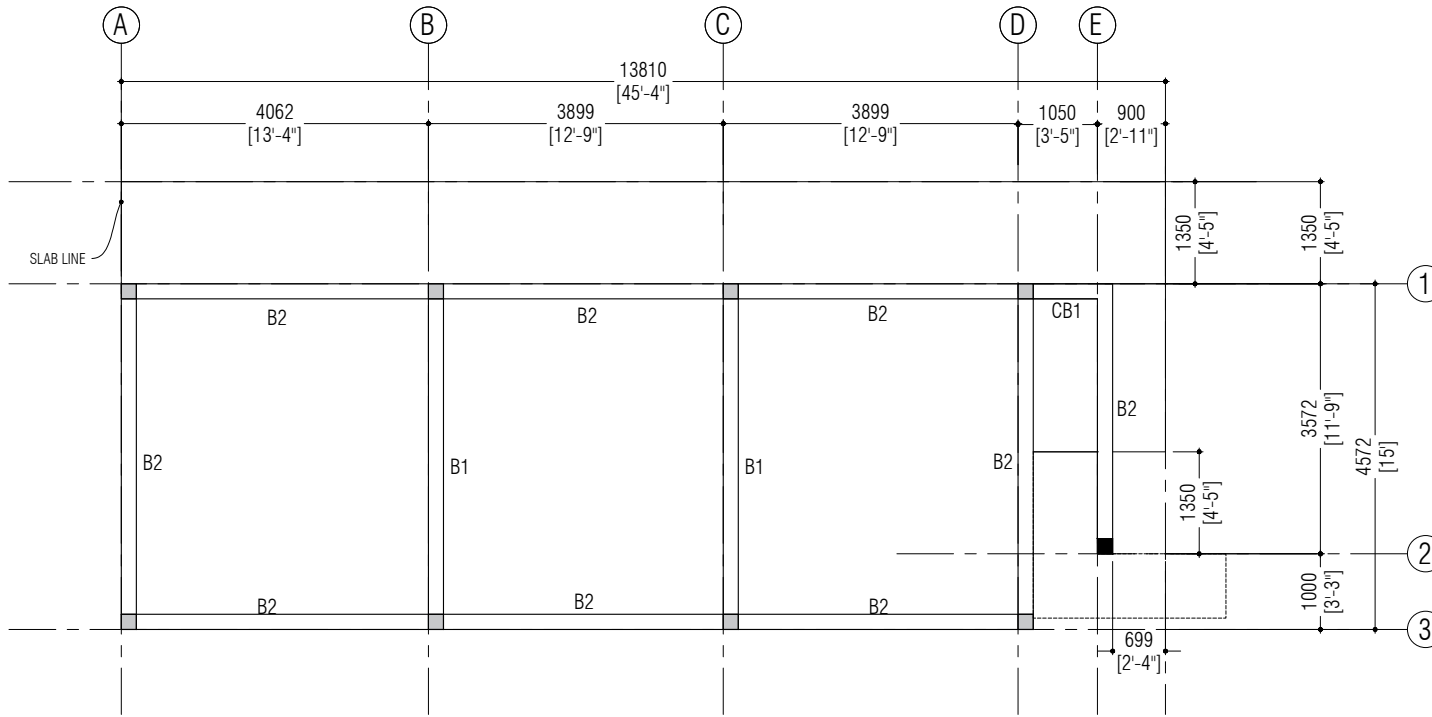
Dwg #: AR2324-S03- REV[A0]



Associates Architects

RIHIKURI (1ST FLOOR), NIROLHU MAGU
NEIGHBORHOOD 1, HULHUMALE'
TEL: (960) 7826260, (960) 7977119
EMAIL: INFO@SMCOLLECTIVES.NET

NOTES:



01 FIRST FLOOR BEAM PLAN

SCALE 1:100



NO.	DESCRIPTION	DATE
REV A0	ISSUED FOR REVIEW	12-APR-23

GYM & OFFICE

PROPOSED TWO STOREY GYM AND
OFFICES AT B. KENDHOO

Client: KENDHOO COUNCIL

Architect: ISHA
 Drafting: Wafa
 Engineer: ADAM
 Structural Checker: ZUHAL
 Architectural Checker: LAYANA

Drawing Title: AS SHOWN

Issue: IFR Date: APR 2023 Pages: 12

Scale: 1:100 Paper: A4

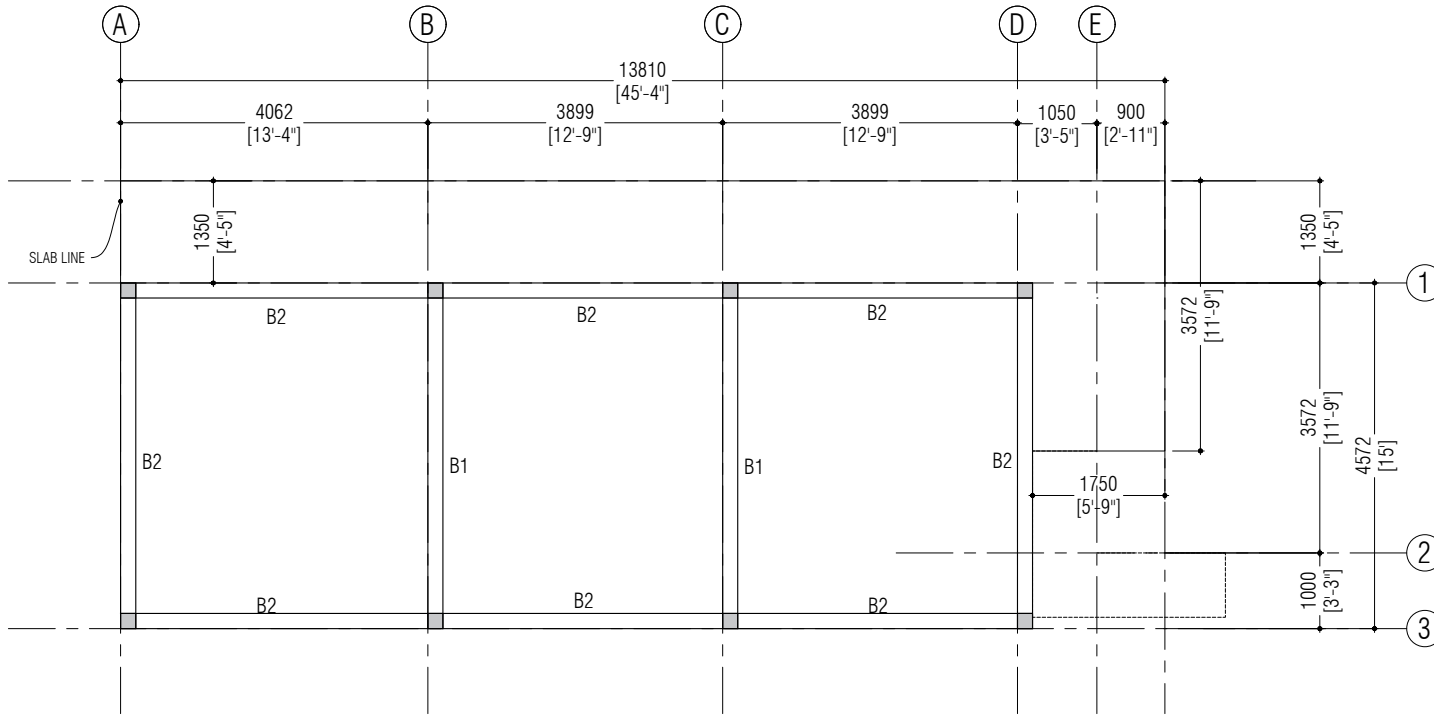
Dwg #: AR2324-S04- REV[A0]



Associates Architects

RIHIKURI (1ST FLOOR), NIROLHU MAGU
NEIGHBORHOOD 1, HULHUMALE'
TEL: (960) 7826260, (960) 7977119
EMAIL: INFO@SMCOLLECTIVES.NET

NOTES:



TERRACE FLOOR BEAM PLAN

SCALE 1:100



GYM & OFFICE

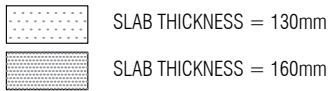
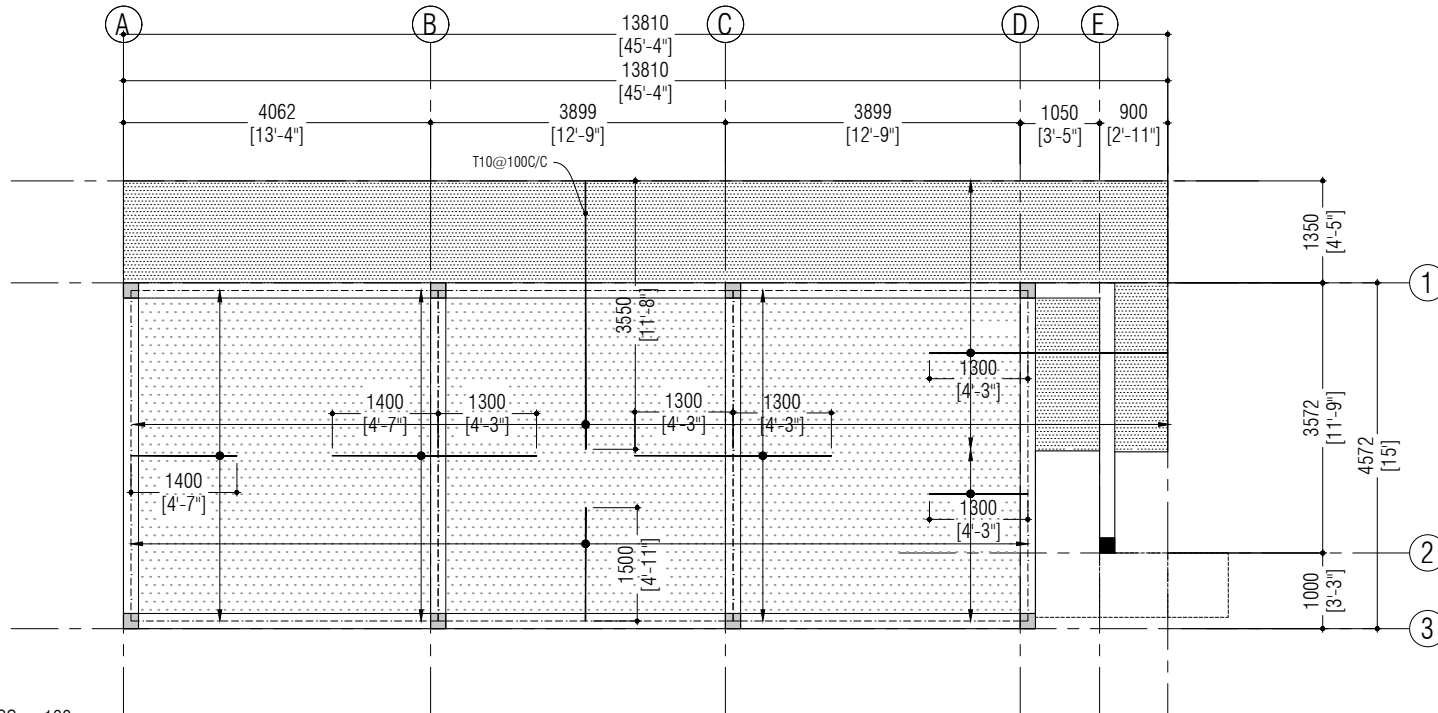
PROPOSED TWO STOREY GYM AND OFFICES AT B. KENDHOO

Client:	KENDHOO COUNCIL
Architect:	ISHA
Drafting:	WAFA
Engineer:	ADAM
Structural Checker:	ZUHAL
Architectural Checker:	LAYANA

Drawing Title: AS SHOWN

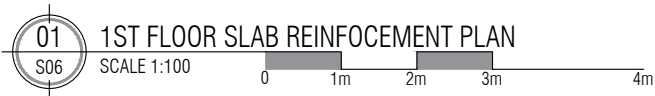
Issue: IFR	Date: APR 2023	Pages: 12
Scale: 1:100	Paper: A4	
Dwg #: AR2324-S05- REV[A0]		

NOTES:



TOP REINFORCEMENT = T10-200mm C/C (AS SHOWN)-UNLESS SPECIFIED
 TOP DISTRIBUTION REINFORCEMENT = T10-200mm C/C (AS SHOWN)
 BOTTOM REINFORCEMENT = T10-150mm C/C BOTH WAYS (NOT SHOWN)

BARS DISCONTINUE OVER ALL OPENINGS



NO.	DESCRIPTION	DATE
REV A0	ISSUED FOR REVIEW	12-APR-23

GYM & OFFICE

PROPOSED TWO STOREY GYM AND OFFICES AT B. KENDHOO

Client: KENDHOO COUNCIL

Architect: ISHA
 Drafting: WAFA
 Engineer: ADAM
 Structural Checker: ZUHAL
 Architectural Checker: LAYANA

Drawing Title: AS SHOWN

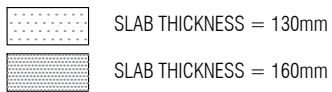
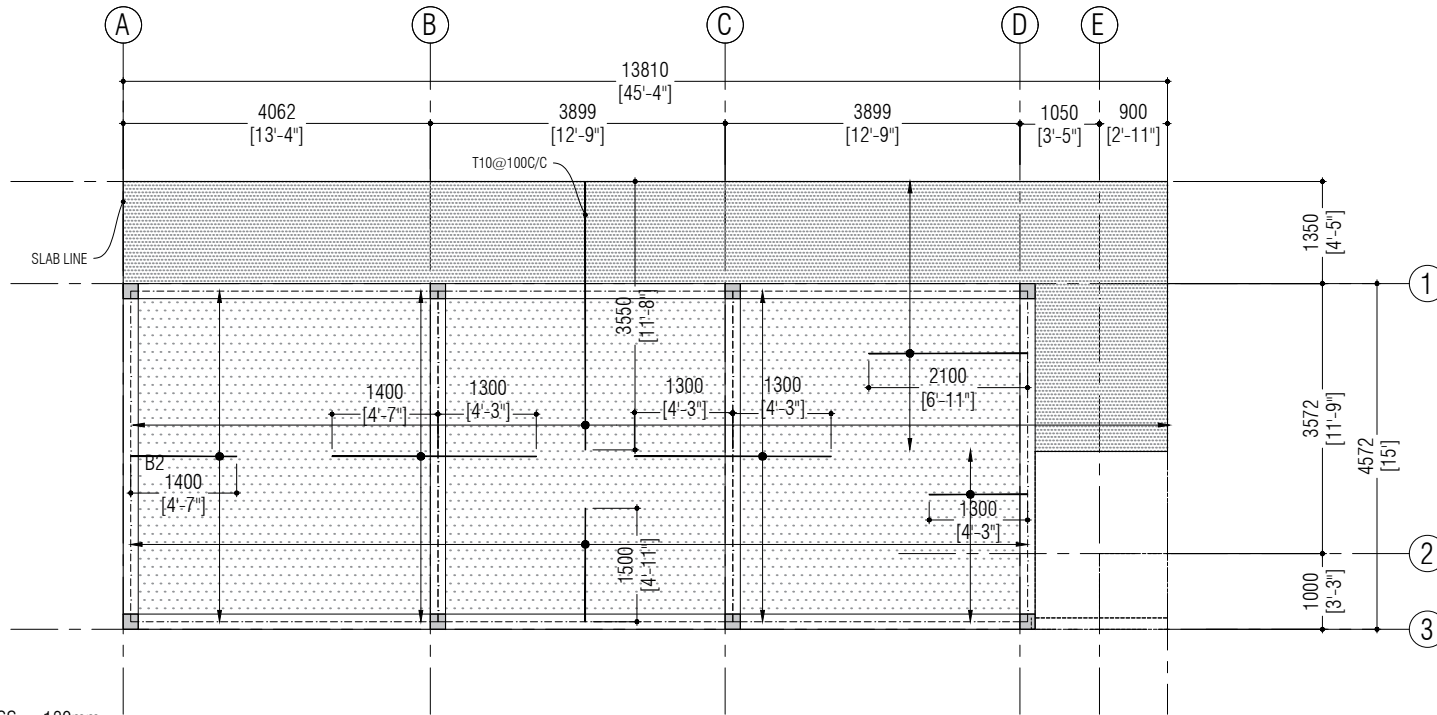
Issue: IFR Date: APR 2023 Pages: 12
 Scale: 1:100 Paper: A4
 Dwg #: AR2324-S06- REV[A0]



Associates Architects

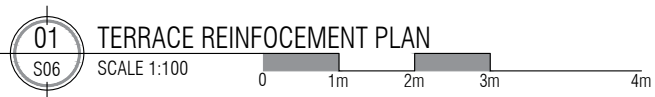
RIHIKURI (1ST FLOOR), NIROLHU MAGU
NEIGHBORHOOD 1, HULHUMALE'
TEL: (960) 7826260, (960) 7977119
EMAIL: INFO@SMCOLLECTIVES.NET

NOTES:



TOP REINFORCEMENT = T10-200mm C/C (AS SHOWN)-UNLESS SPECIFIED
 TOP DISTRIBUTION REINFORCEMENT = T10-200mm C/C (AS SHOWN)
 BOTTOM REINFORCEMENT = T10-150mm C/C BOTH WAYS (NOT SHOWN)

BARS DISCONTINUE OVER ALL OPENINGS



GYM & OFFICE

PROPOSED TWO STOREY GYM AND OFFICES AT B. KENDHOO

Client: KENDHOO COUNCIL

Architect: ISHA
 Drafting: WAFA
 Engineer: ADAM
 Structural Checker: ZUHAL
 Architectural Checker: LAYANA

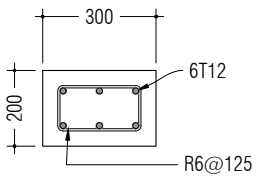
Drawing Title: AS SHOWN

Issue: IFR Date: APR 2023 Pages: 12

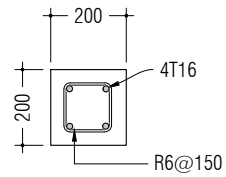
Scale: 1:100 Paper: A4

Dwg #: AR2324-S07- REV[A0]

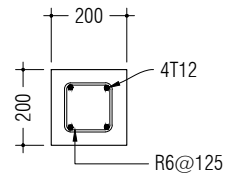
NOTES:



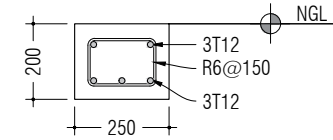
COLUMN - C1



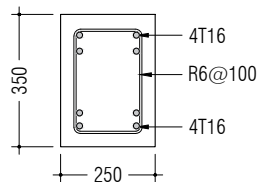
COLUMN - C2



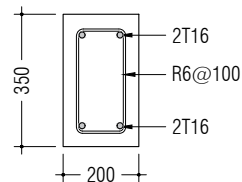
COLUMN - C3
UPTO FIRST
FLOOR SLAB



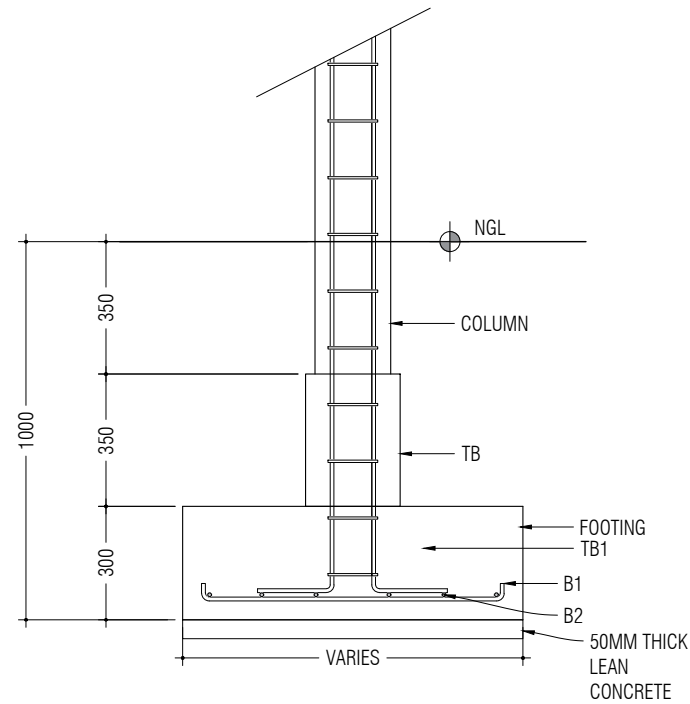
WB
(BELOW WALLS NOT COINCIDING WITH TIE
BEAMS (AT GROUND FLOOR LEVEL))



TB1



TB2



TYPICAL FOOTING
SECTION



STRUCTURAL DETAILS

SCALE 1:20



NO.	DESCRIPTION	DATE
REV A0	ISSUED FOR REVIEW	12-APR-23

GYM & OFFICE

PROPOSED TWO STOREY GYM AND
OFFICES AT B. KENDHOO

Client: KENDHOO COUNCIL

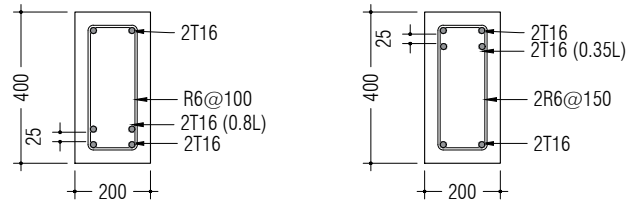
Architect: ISHA
Drafting: WAFA
Engineer: ADAM
Structural Checker: ZUHAL
Architectural Checker: LAYANA

Drawing Title: AS SHOWN

Issue: IFR Date: APR 2023 Pages: 12

Scale: 1:20 Paper: A4

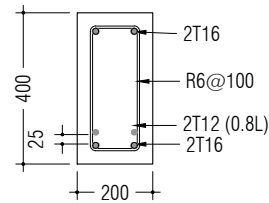
Dwg #: AR2324-S08- REV[A0]



MID SPAN

B1

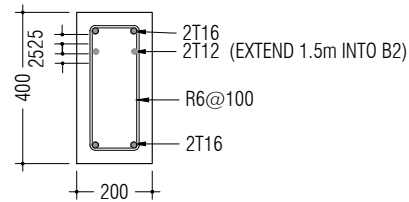
SUPPORT



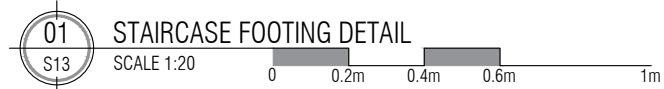
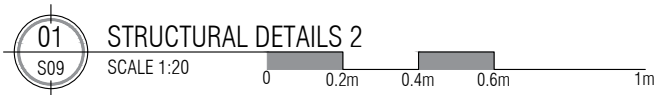
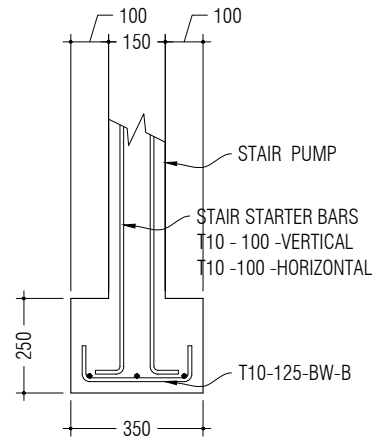
MID SPAN

B2

SUPPORT



CB1



SM

Associates Architects

RIHIKURI (1ST FLOOR), NIROLHU MAGU
NEIGHBORHOOD 1, HULHUMALE'
TEL: (960) 7826260, (960) 7977119
EMAIL: INFO@SMCOLLECTIVES.NET

NOTES:

NO.	DESCRIPTION	DATE
REV A0	ISSUED FOR REVIEW	12-APR-23

GYM & OFFICE

PROPOSED TWO STOREY GYM AND
OFFICES AT B. KENDHOO

Client: KENDHOO COUNCIL

Architect: ISHA
Drafting: WAFA
Engineer: ADAM
Structural Checker: ZUHAL
Architectural Checker: LAYANA

Drawing Title: AS SHOWN

Issue: IFR Date: APR 2023 Pages: 12

Scale: 1:20 Paper: A4

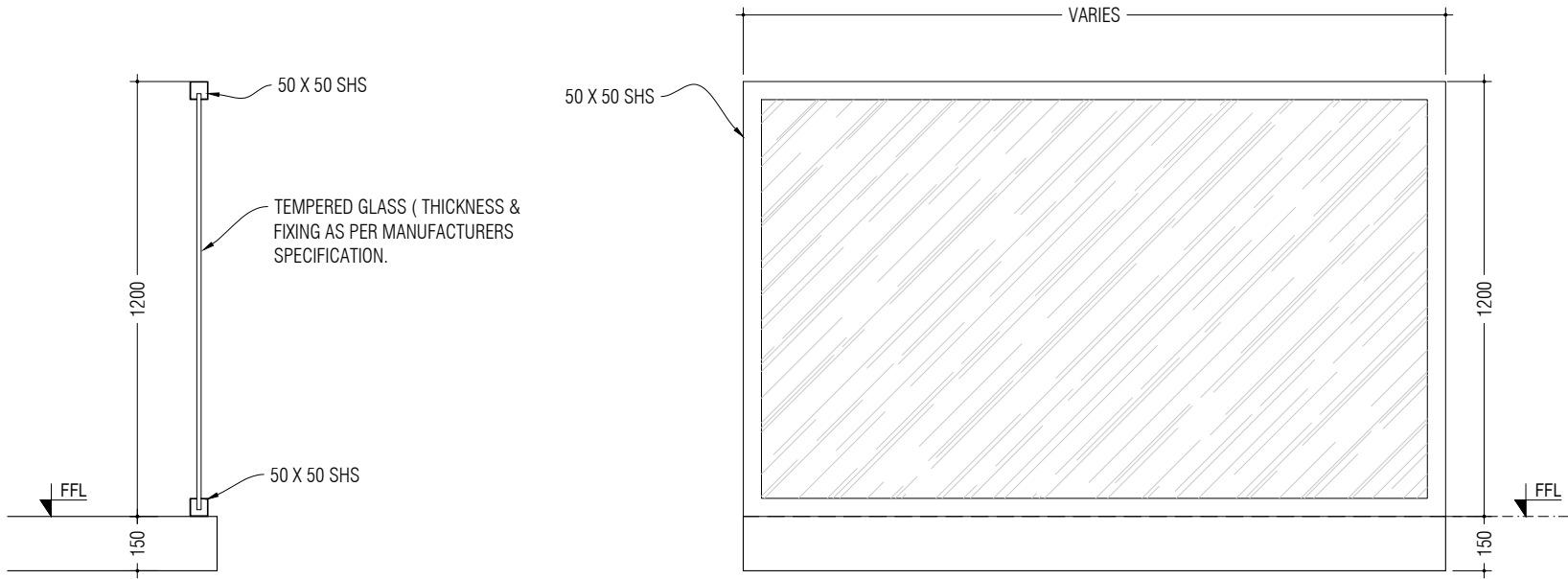
Dwg #: AR2324-S09- REV[A0]



Associates Architects

RIHIKURI (1ST FLOOR), NIROLHU MAGU
NEIGHBORHOOD 1, HULHUMALE'
TEL: (960) 7826260, (960)7977119
EMAIL: INFO@SMCOLLECTIVES.NET

NOTES:



TEMPERED GLASS RAILING
SECTION VIEW

TEMPERED GLASS RAILING - FRONT VIEW



GLASS RAILING DETAILS

SCALE 1:20



GYM & OFFICE

PROPOSED TWO STOREY GYM AND
OFFICES AT B. KENDHOO

Client: KENDHOO COUNCIL

Architect: ISHA
 Drafting: WAFA
 Engineer: ADAM
 Structural Checker: ZUHAL
 Architectural Checker: LAYANA

Drawing Title: AS SHOWN

Issue: IFR Date: APR 2023 Pages: 12

Scale: 1:20 Paper: A4

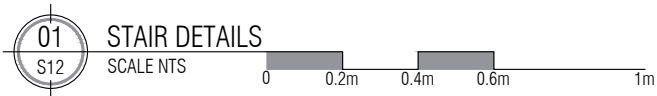
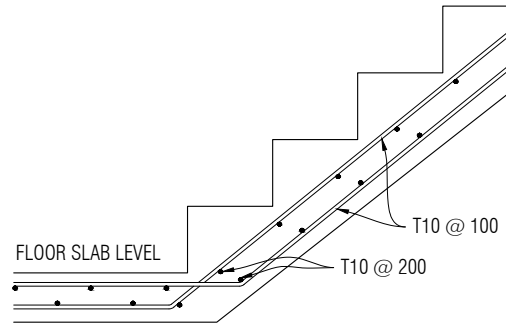
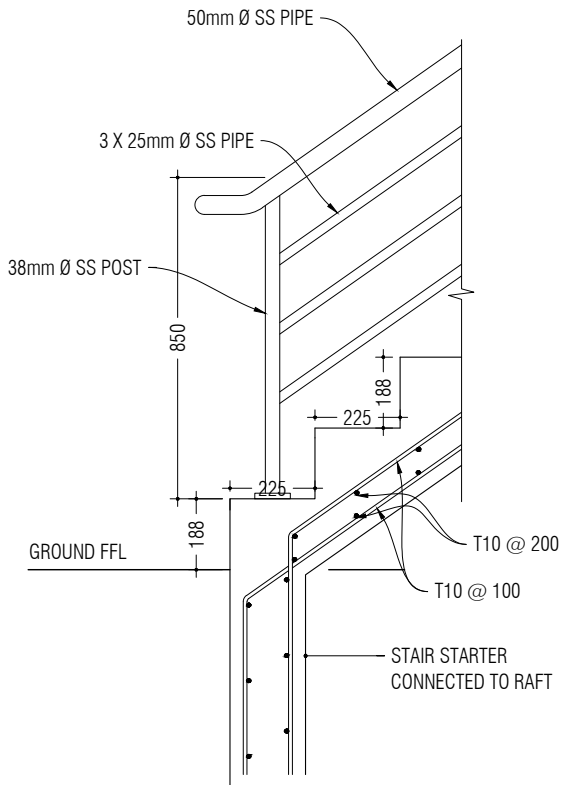
Dwg #: AR2324-S10- REV[A0]



Associates Architects

RIHIKURI (1ST FLOOR), NIROLHU MAGU
NEIGHBORHOOD 1, HULHUMALE'
TEL: (960) 7826260, (960) 7977119
EMAIL: INFO@SMCOLLECTIVES.NET

NOTES:



NO.	DESCRIPTION	DATE
REV A0	ISSUED FOR REVIEW	12-APR-23

GYM & OFFICE

PROPOSED TWO STOREY GYM AND OFFICES AT B. KENDHOO

Client: KENDHOO COUNCIL

Architect: ISHA

Drafting: WAFA

Engineer: ADAM

Structural Checker: ZUHAL

Architectural Checker: LAYANA

Drawing Title: AS SHOWN

Issue: IFR Date: APR 2023 Pages: 12

Scale: 1:20 Paper: A4

Dwg #: AR2324-S11- REV[A0]