

PROPOSED OFFICE INTERIOR
ARRANGEMENT PLAN

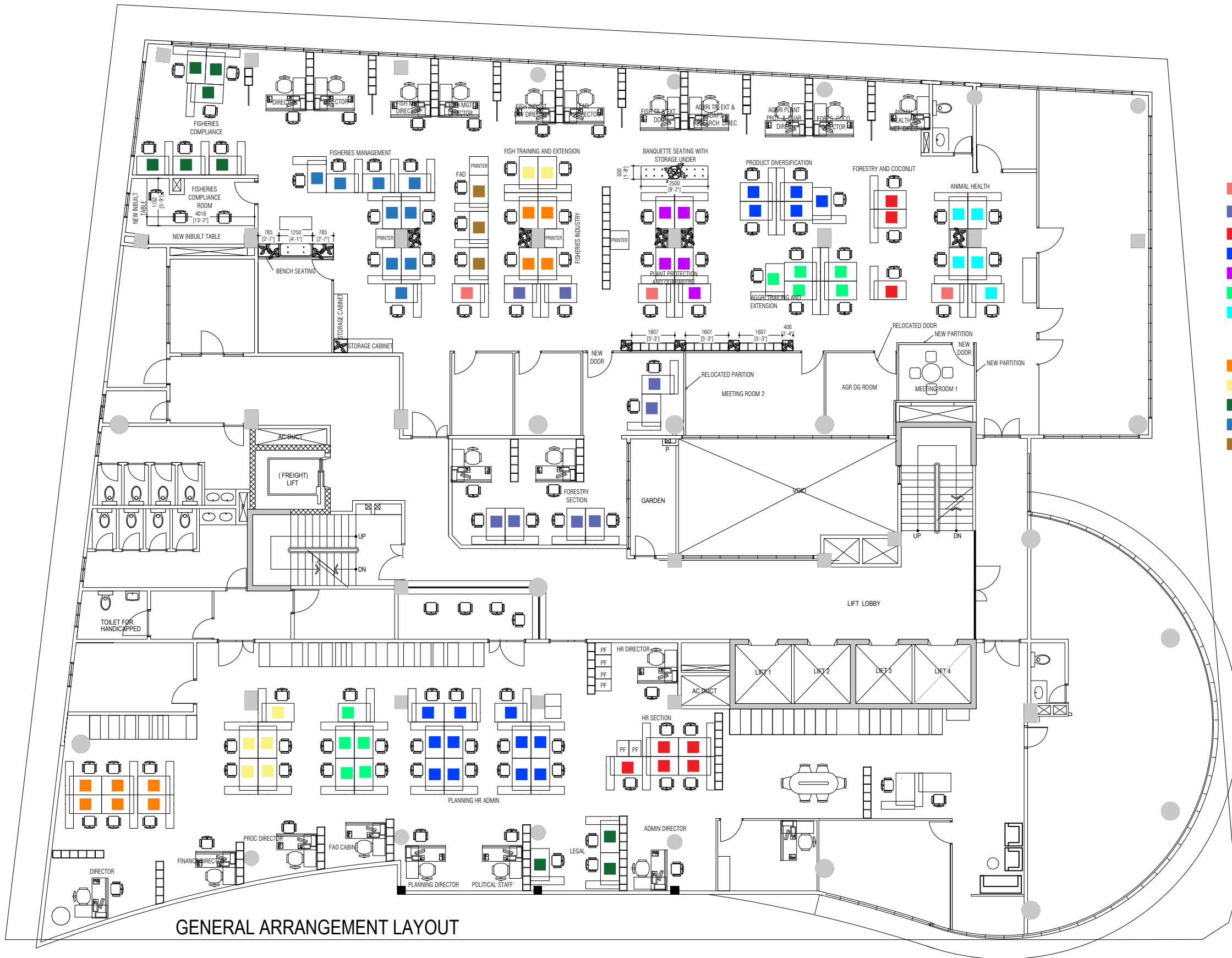
MINISTRY OF FISHERIES,
AGRICULTURE AND
MARINE RESOURCES

7TH FLOOR, VELAANAAGE

INTERIOR CONCEPT DRAWINGS

CLIENT: MoFAMR

APR 2023



- RESERVED
- FALHURAH BAI
- FORESTRY AND COCONUT
- PRODUCT DIVERSIFICATION
- PLANT PROTECTION AND QUARANTINE
- AGGRI TRAILING AND EXTENSION
- ANIMAL HEALTH
- FISHERIES INDUSTRY
- FISH TRAINING AND EXTENSION
- FISHERIES COMPLIANCE
- FISHERIES MANAGEMENT
- FAD

- FINANCE SECTION
- PROCUREMENT SECTION
- IT SECTION-
- HR SECTION
- PLANNING HR ADMIN
- LEGAL

GENERAL ARRANGEMENT LAYOUT

NOTES:

NO.	DESCRIPTION	DATE
REV A0	ISSUED FOR APPROVAL	--
REV A1	AMENDED AS PER MINISTER COMMENTS	04.05.2023

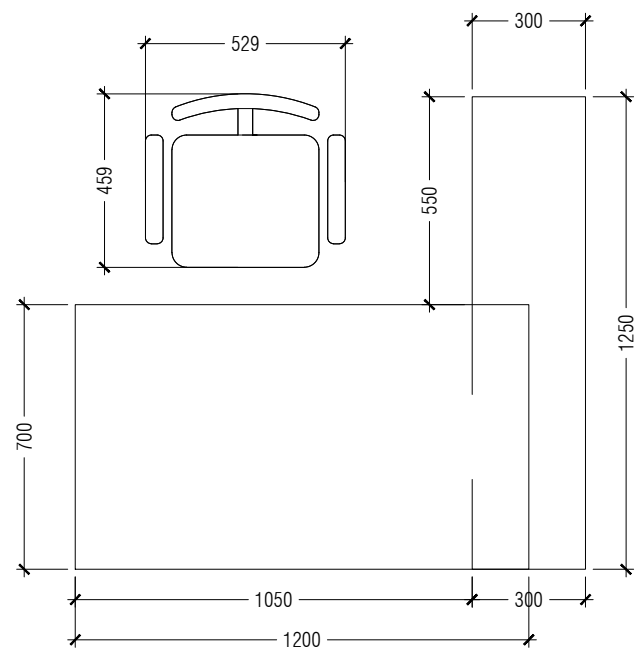
OFFICE INTERIOR

PROPOSED INTERIOR ADJUSTMENT ON FLOOR LAYOUT FOR MINISTRY OF FISHERIES, MARINE RESOURCES AND AGRICULTURE (VELAANAAGE)

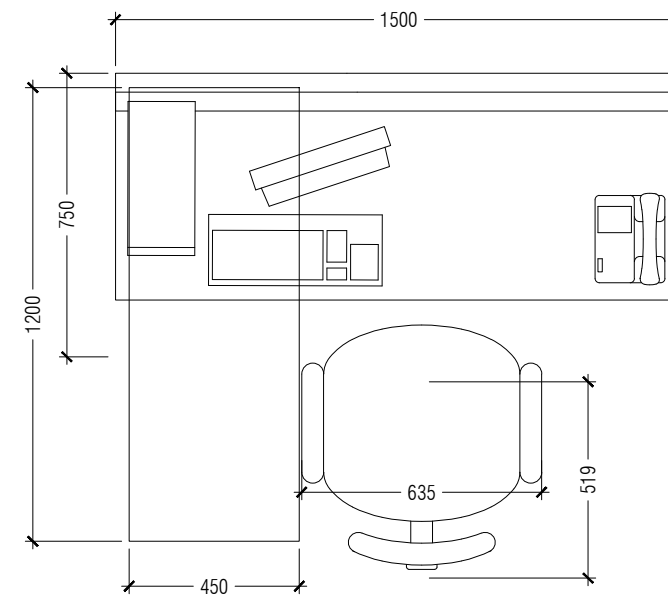
Client:	MINISTRY OF FISHERIES, MARINE RESOURCES AND AGRICULTURE
Design:	Wafa
Drafting:	Wafa
Engineer:	-
Structural Checker:	-
Architectural Checker:	-

Drawing Title: AS SHOWN

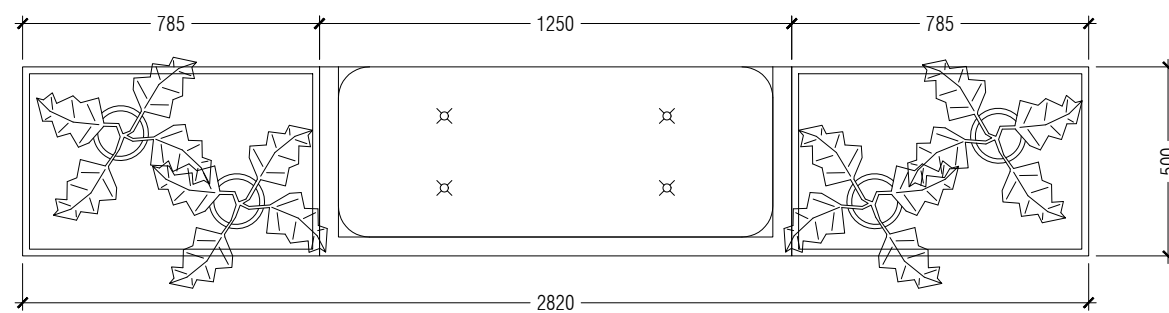
Issue: IFA Date: APRIL 2023 Pages: 03
 Scale: 1:155,2909 Paper: A3
 Dwg #: AR2316-A01-REV[A1]



WORK STATIONS - GENERAL STAFF

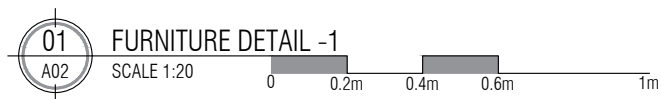


DIRECTOR, FAO & POLITICAL STAFF



BENCH SEATING WITH PLANTER BOX

NOTE: PROCURED FURNITURE SIZES SHALL NOT BE SMALLER THAN GIVEN DIMENSIONS.



REFERENCE IMAGE- WORKSTATIONS

NOTES:

NO.	DESCRIPTION	DATE
REV A0	ISSUED FOR APPROVAL	--
REV A1	AMENDED AS PER MINISTER COMMENTS	04.05.2023

OFFICE INTERIOR

PROPOSED INTERIOR ADJUSTMENT
ON FLOOR LAYOUT FOR MINISTRY
OF FISHERIES, MARINE RESOURCES
AND AGRICULTURE (VELAANAAGE)

Client: MINISTRY OF FISHERIES, MARINE
RESOURCES AND AGRICULTURE

Design: WAFA

Drafting: WAFA

Engineer: -

Structural Checker: -

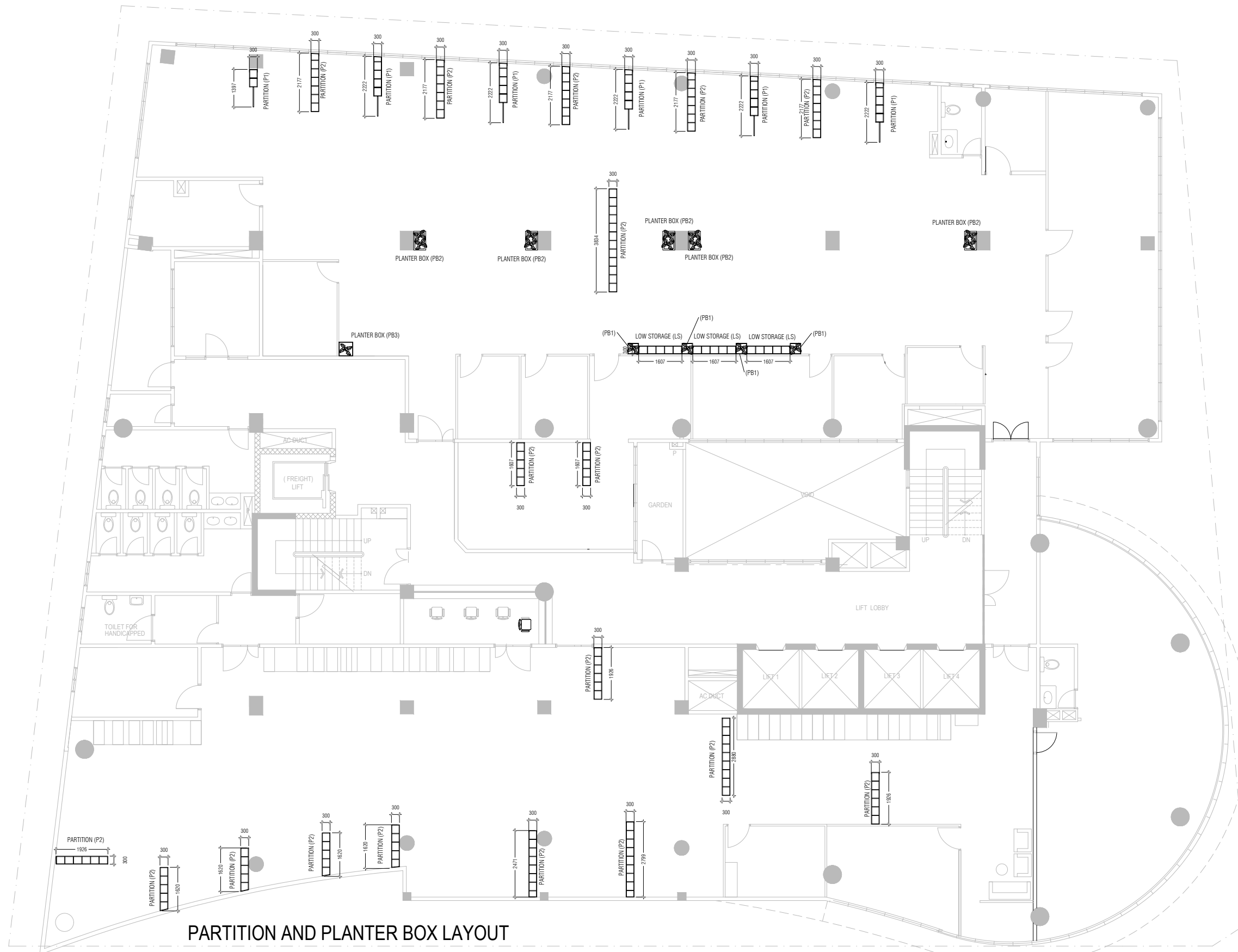
Architectural Checker: -

Drawing Title: AS SHOWN

Issue: IFA Date: APRIL 2023 Pages: 03

Scale: 1:20 Paper: A3

Dwg #: AR2316-A02- REV[A1]



PARTITION AND PLANTER BOX LAYOUT

NOTES:

NO.	DESCRIPTION	DATE
REV A0	ISSUED FOR APPROVAL	--
REV A1	AMENDED AS PER MINISTER COMMENTS	04.05.2023

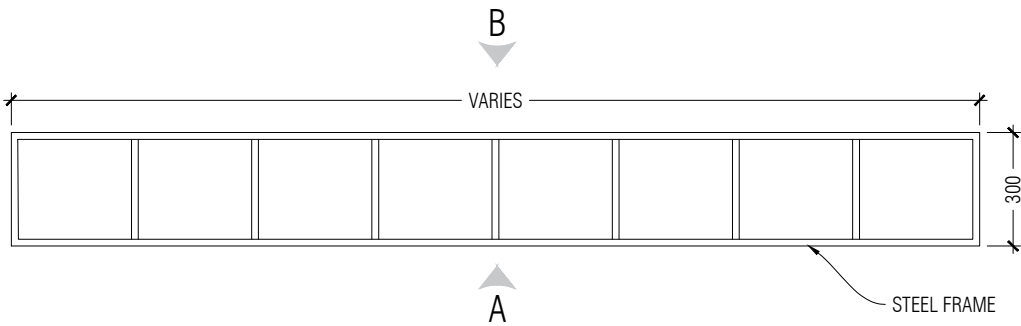
OFFICE INTERIOR

PROPOSED INTERIOR ADJUSTMENT
ON FLOOR LAYOUT FOR MINISTRY
OF FISHERIES, MARINE RESOURCES
AND AGRICULTURE (VELAANAAGE)

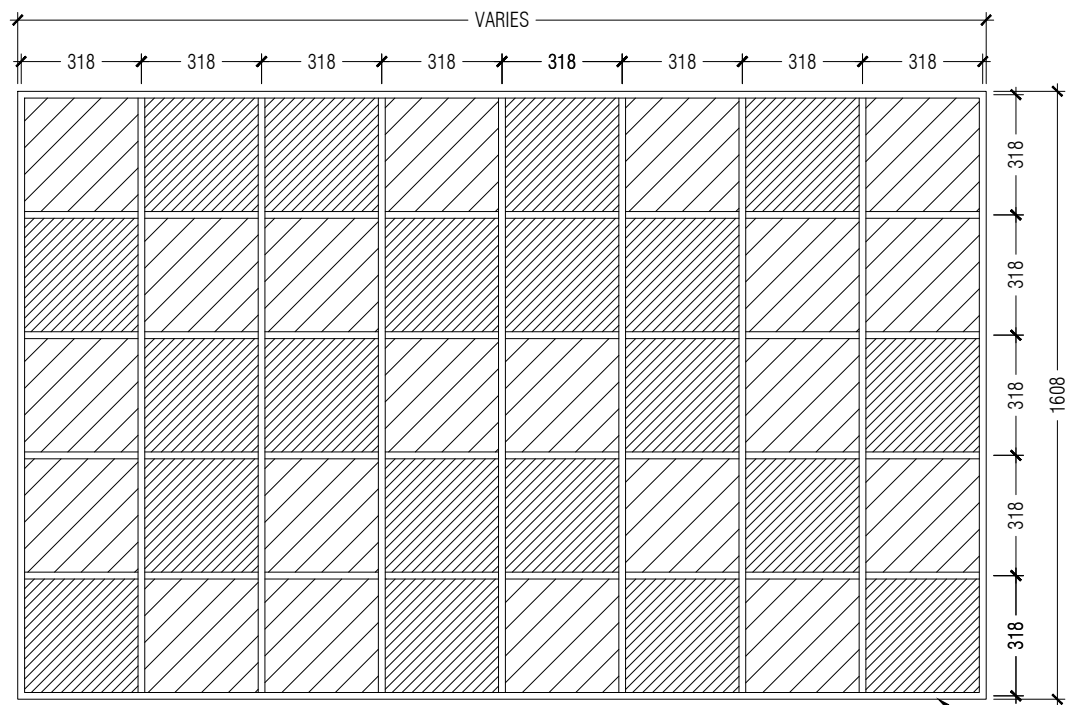
Client:	MINISTRY OF FISHERIES, MARINE RESOURCES AND AGRICULTURE
Design:	Wafa
Drafting:	Wafa
Engineer:	-
Structural Checker:	-
Architectural Checker:	-

Drawing Title: AS SHOWN



Issue: IFA Date: APRIL 2023 Pages: 03
Scale: 1:152.7269 Paper: A3
Dwg #: AR2316-A03- REV[A1]



PARTITION TYPE 2 PLAN

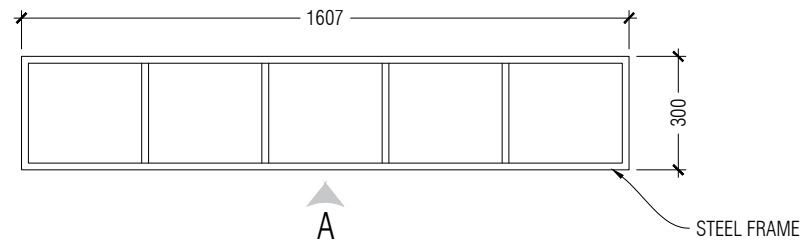


PARTITION TYPE 2 DESIGN ELEVATION A

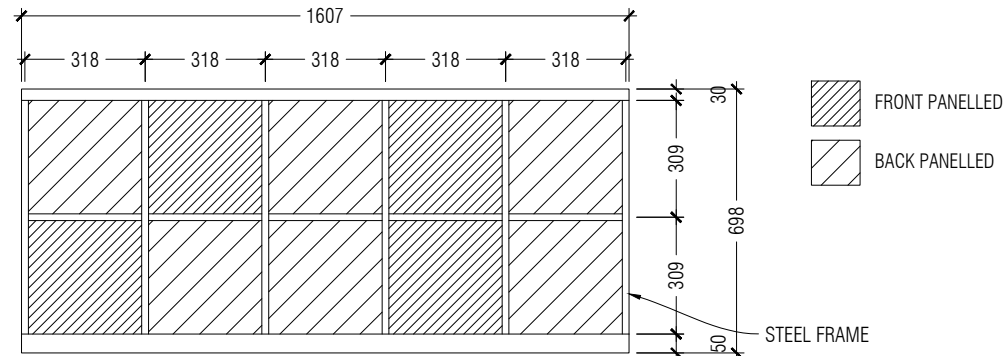
 FRONT PANELLED
 BACK PANELLED





REFERENCE IMAGE- PARTITIONS AND STORAGE SHELVES



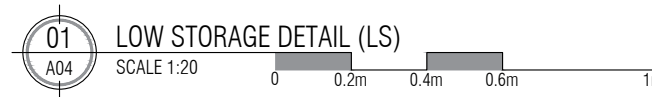
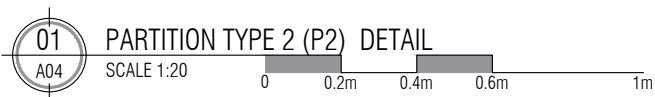
LOW STORAGE (LS) SHELVES - PLAN



LOW STORAGE SHELVES ELEVATION A

 FRONT PANELLED
 BACK PANELLED

NOTE: PROCURED FURNITURE SIZES SHALL NOT BE SMALLER THAN GIVEN DIMENSIONS.



NOTES:

NO.	DESCRIPTION	DATE
REV A0	ISSUED FOR APPROVAL	--
REV A1	AMENDED AS PER MINISTER COMMENTS	04.05.2023

OFFICE INTERIOR

PROPOSED INTERIOR ADJUSTMENT
ON FLOOR LAYOUT FOR MINISTRY
OF FISHERIES, MARINE RESOURCES
AND AGRICULTURE (VELAANAAGE)

Client: MINISTRY OF FISHERIES, MARINE
RESOURCES AND AGRICULTURE

Design: Wafa

Drafting: Wafa

Engineer: -

Structural Checker: -

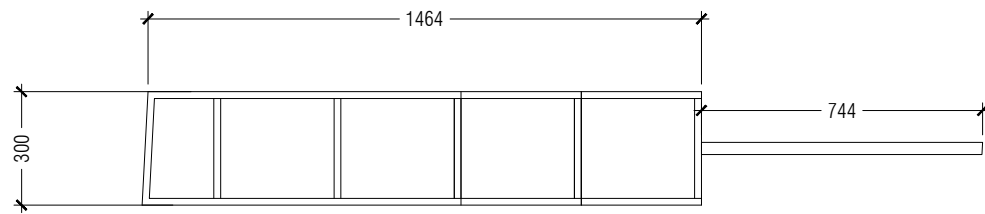
Architectural Checker: -

Drawing Title: AS SHOWN

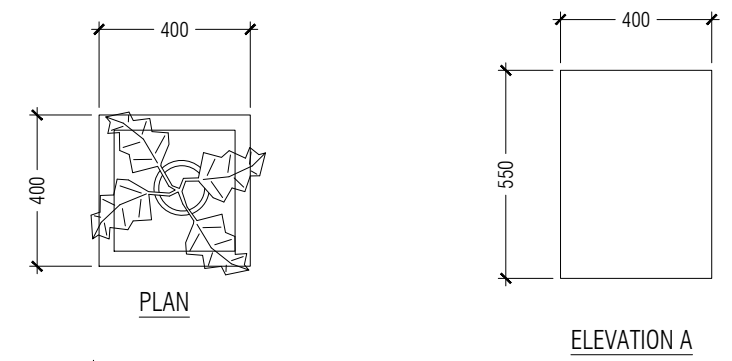
Issue: IFA Date: APRIL 2023 Pages: 03

Scale: 1:20 Paper: A3

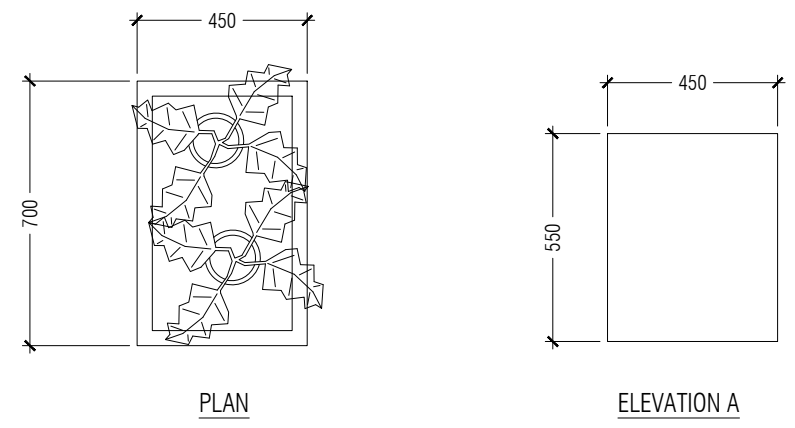
Dwg #: AR2316-A04- REV[A1]



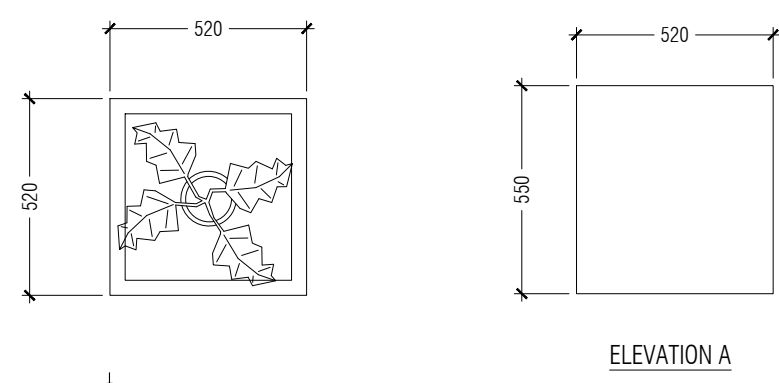
A
PARTITION TYPE 1 PLAN



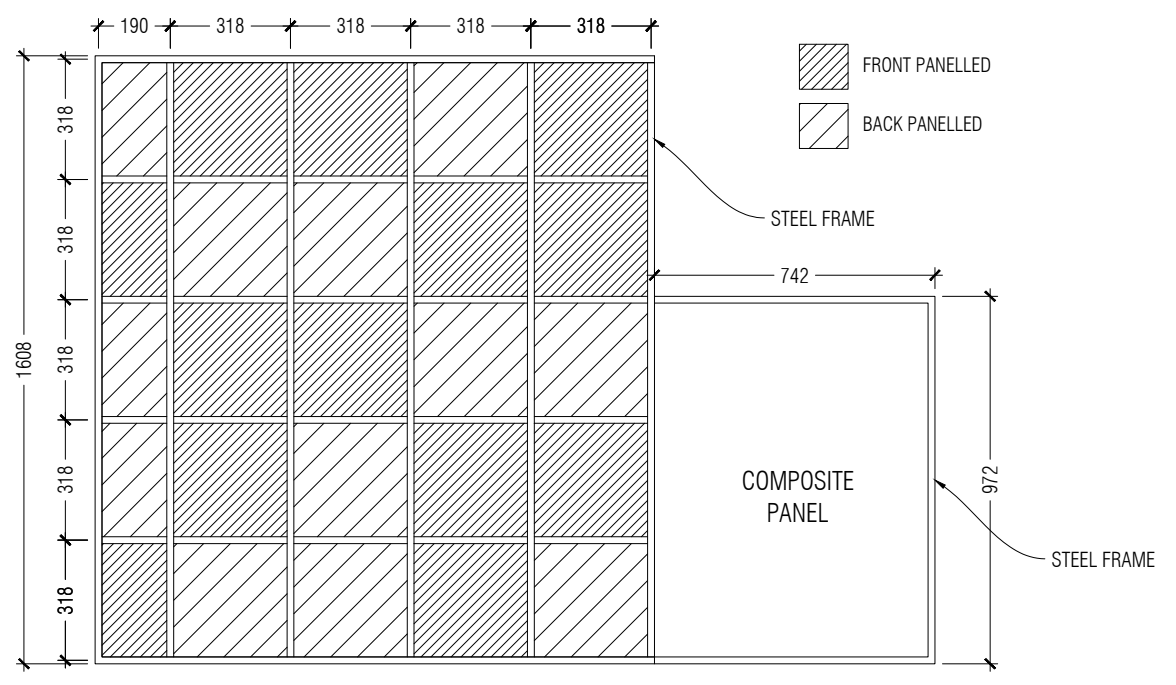
01 PLANTER BOX (PB1) DETAIL
A05 SCALE 1:20



01 PLANTER BOX (PB2) DETAIL
A05 SCALE 1:20



01 PLANTER BOX (PB3) DETAIL
A05 SCALE 1:20



PARTITION TYPE 1 DESIGN
ELEVATION A

NOTE: PROCURED FURNITURE SIZES SHALL NOT BE SMALLER THAN GIVEN DIMENSIONS.

01 PARTITION TYPE 1 (P1) DETAIL
A05 SCALE 1:20

NOTES:

NO.	DESCRIPTION	DATE
REV A0	ISSUED FOR APPROVAL	--
REV A1	AMENDED AS PER MINISTER COMMENTS	04.05.2023

OFFICE INTERIOR

PROPOSED INTERIOR ADJUSTMENT
ON FLOOR LAYOUT FOR MINISTRY
OF FISHERIES, MARINE RESOURCES
AND AGRICULTURE (VELAANAAGE)

Client: MINISTRY OF FISHERIES, MARINE
RESOURCES AND AGRICULTURE

Design: Wafa
Drafting: Wafa
Engineer: -
Structural Checker: -
Architectural Checker: -

Drawing Title: AS SHOWN

Issue: IFA Date: APRIL 2023 Pages: 03
Scale: 1:20 Paper: A3
Dwg #: AR2316-A05- REV[A1]