

CONSTRUCTION OF WTE CONTROL ROOM  
R. VANDHOO RWMF

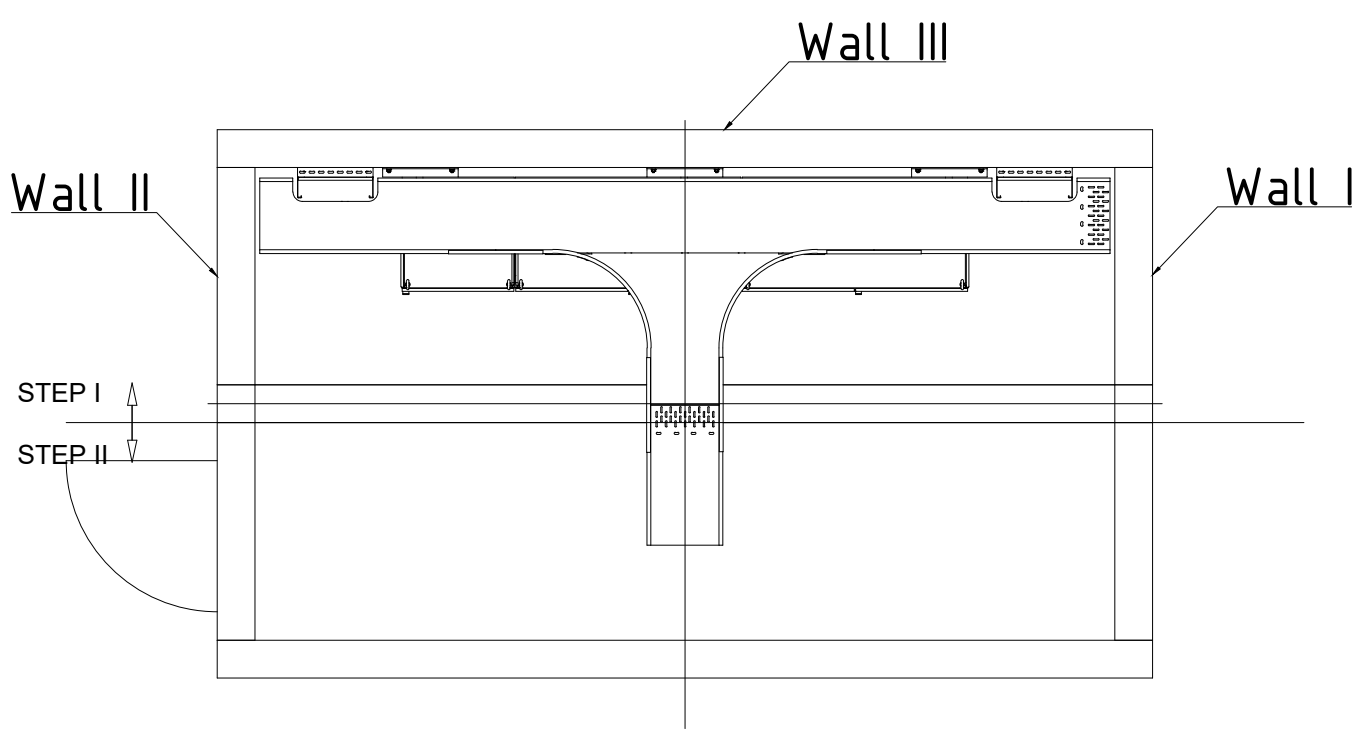
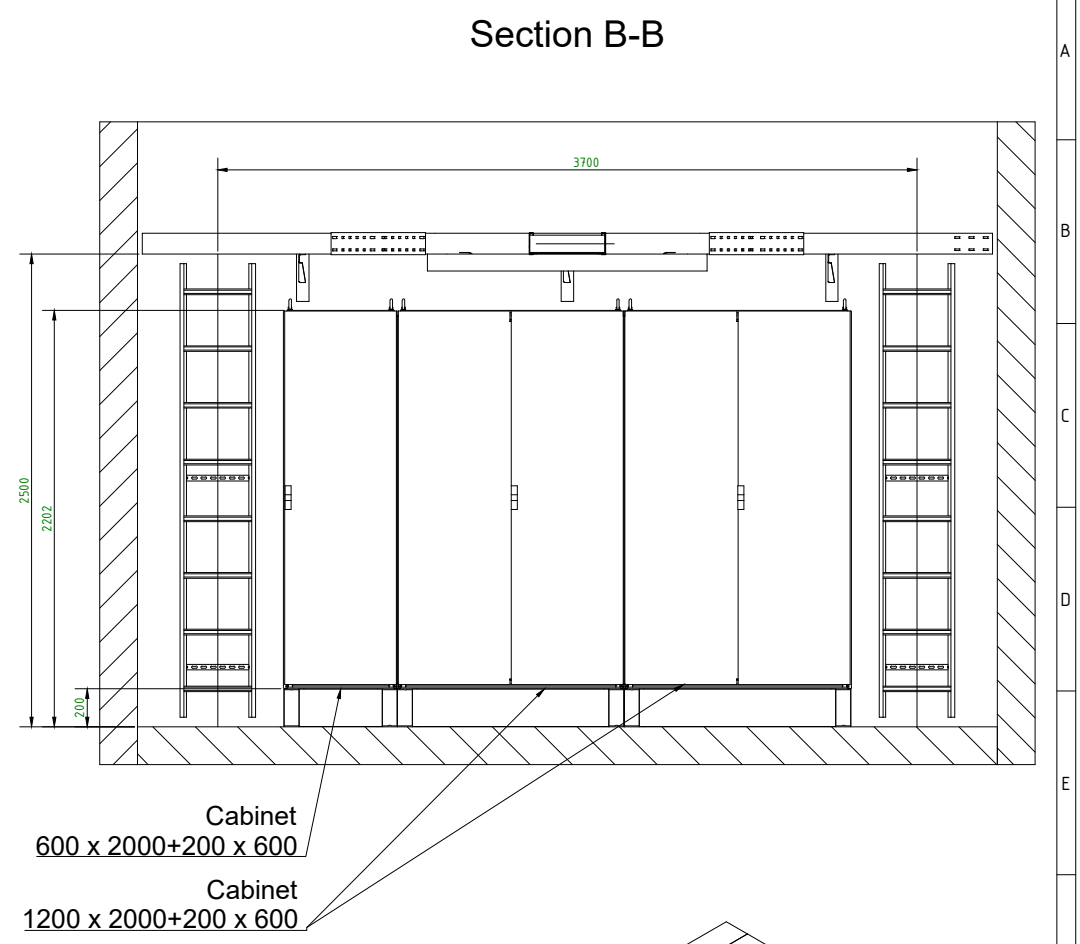
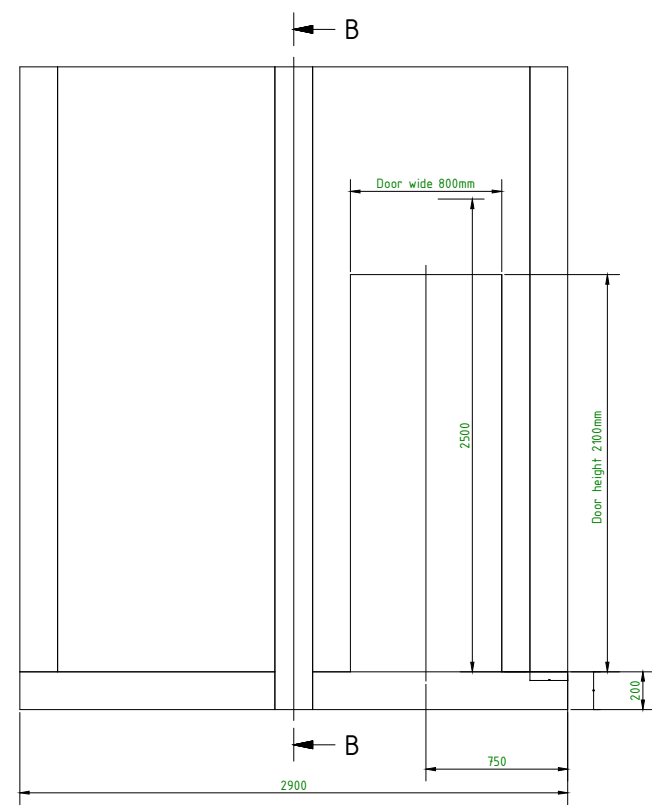
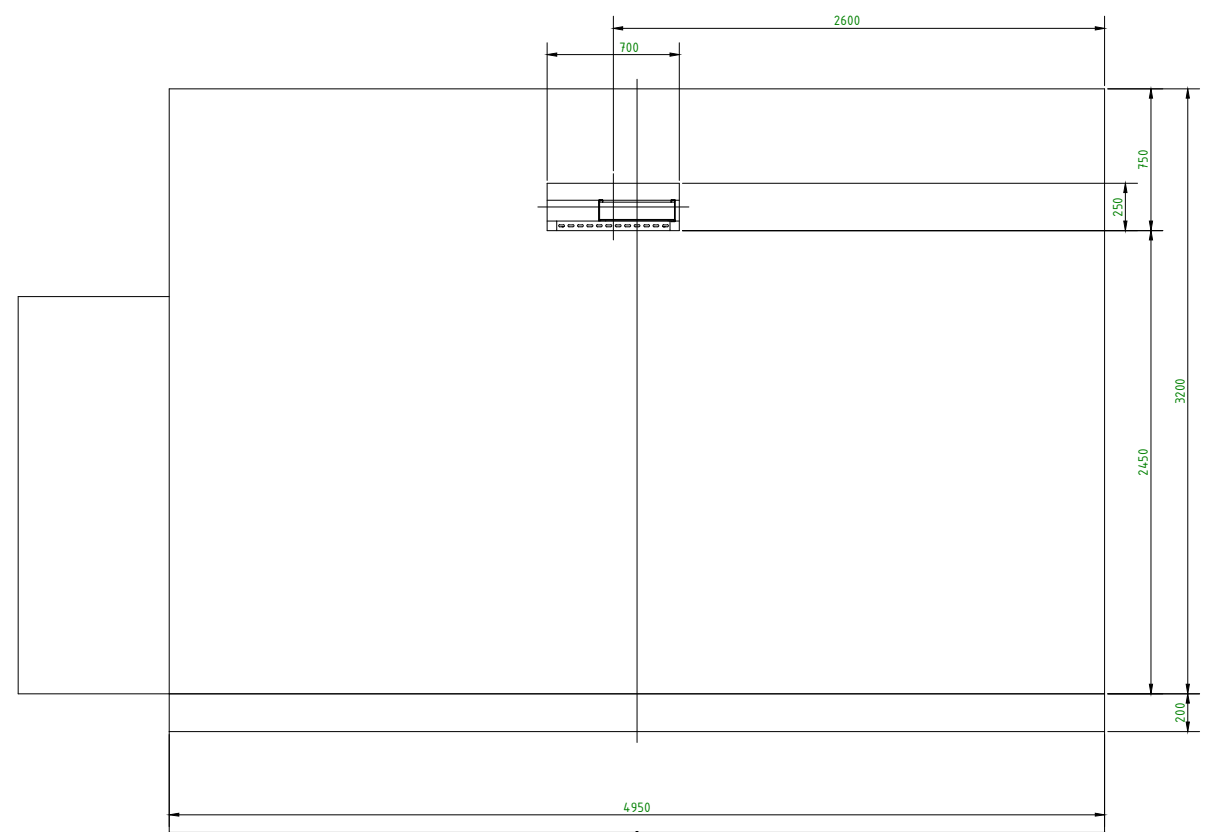


PREPARED BY:  
WMPC DEPARTMENT  
MINISTRY OF ENVIRONMENT AND ENERGY

---

2018





## Information

The Controlroom is built in two steps.  
 The Controlroom floor is 150-200mm thick concrete plate on top of existing floor, executed in two steps!

### Step I

The Controlroom Walls I, II, III and half floor are builded, all without roofing.

### Step II

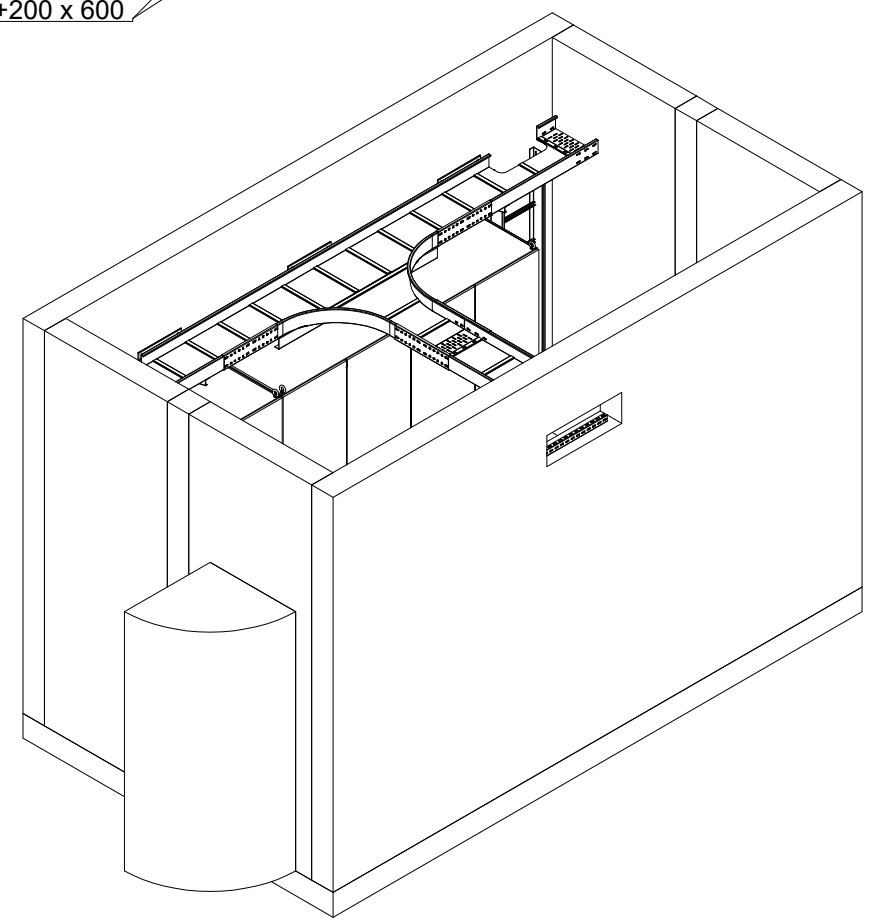
After the existing chiller is relocated and the cabinets are installed the second half of the Control room is builded and the roofing work can be done.

## Important

The floor must be level and straight!

The controlroom must be climated!

Until the execution of Step II the cabintes must be protected from damage!



index	modification	date	name
a	Updated, added cable trays, cabinets and additional informations	11.07.2018	Rüssel

Refer to protection notice ISO 16016.		Designation	
General tolerances acc. to DIN ISO 2768-c	Projection method 1 ISO 5456-2	Control Room Guide drawing	
Drawn by	Date	Checked by	Date
Ruessel	10.07.2018		
Job number / Code word	Sheet	Number of sheets	Revision index
K 1722	2	2	a

**INTEC**  
ENERGY SYSTEMS

INTEC Engineering GmbH  
John-Diener-Str. 43  
D-76646 Bruchsal  
www.intec-energy.com

Date of issue: 26.09.2018  
Document status: released