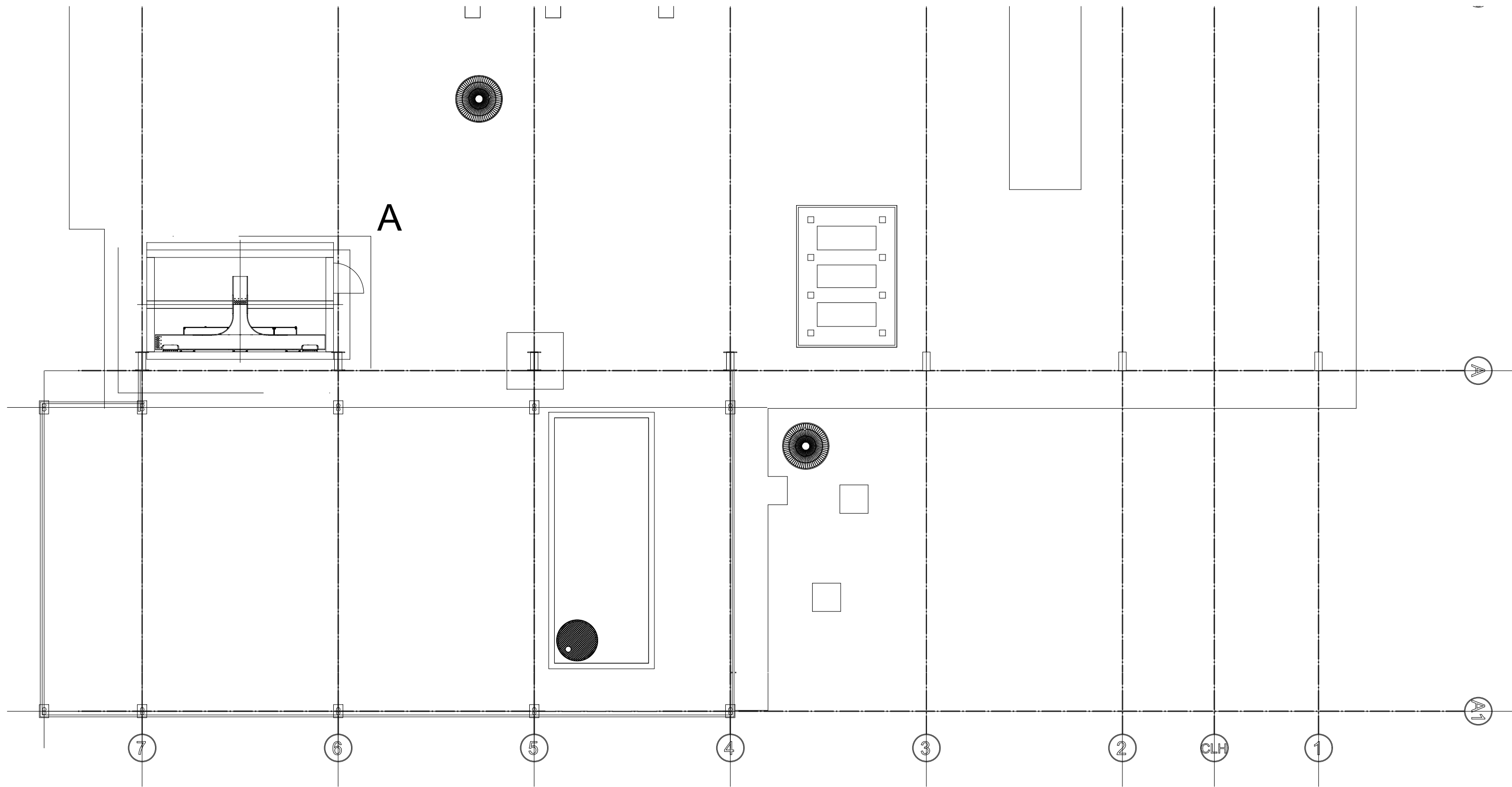


INCINERATOR SHED EXTENSION
R. VANDHOO RWMF



PREPARED BY:
WMPC DEPARTMENT
MINISTRY OF ENVIRONMENT AND ENERGY

2018



APPROVED BY

PROJECT

DESIGN BY

AMENDMENTS

INCINERATOR SHED EXTENSION
R. VANDHOO RWMF

AFRAZ

TITLE
SITE LAYOUT

STRUCTURE BY
AFRAZ

CLIENT DEPARTMENT
WMPC DEPARTMENT

DRAWN BY
AFRAZ

PAPER SIZE A3

SCALE 1:100

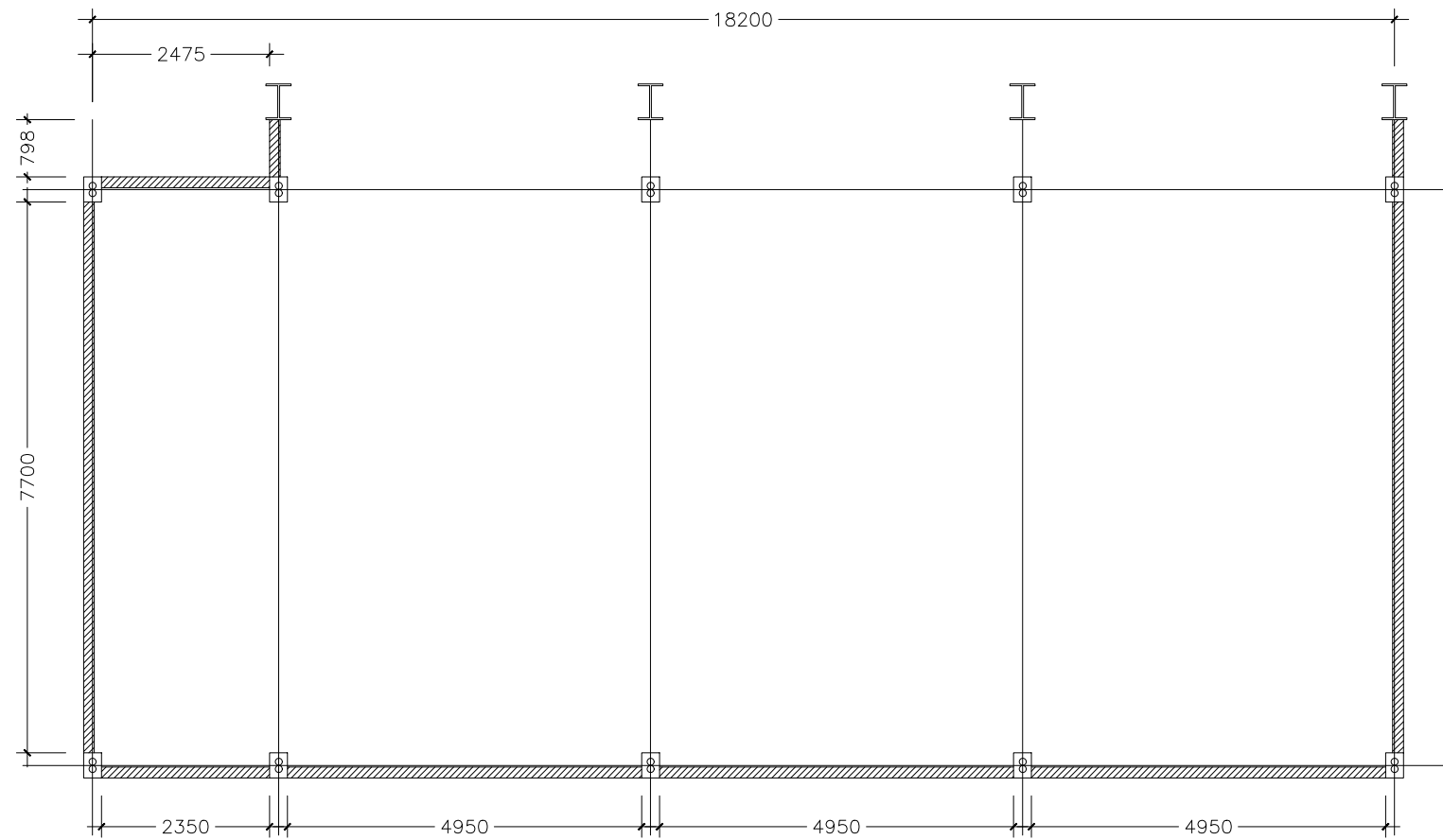
PAGE NO. 01

DWG NO. VDWTEEX-R3 A1-01

DATE 22.12.2018



MINISTRY OF ENVIROMENT AND ENERGY
GREEN BUILDING, HANDHUVAREE HIGUN,
MAAFANNU, MALE (20392), REPUBLIC OF MALDIVES,
TEL: +960-3018431, +960-3018300, FAX: +960-328301



MASONRY PLAN
SCALE 1 :100

APPROVED BY

PROJECT

DESIGN BY

AMENDMENTS

INCINERATOR SHED EXTENSION
R. VANDHOO RWMF

AFRAZ

TITLE
LAYOUT - MASONRY PLAN

STRUCTURE BY
AFRAZ

CLIENT DEPARTMENT
WMPC DEPARTMENT

DRAWN BY
AFRAZ

PAPER SIZE A3

SCALE 1:100

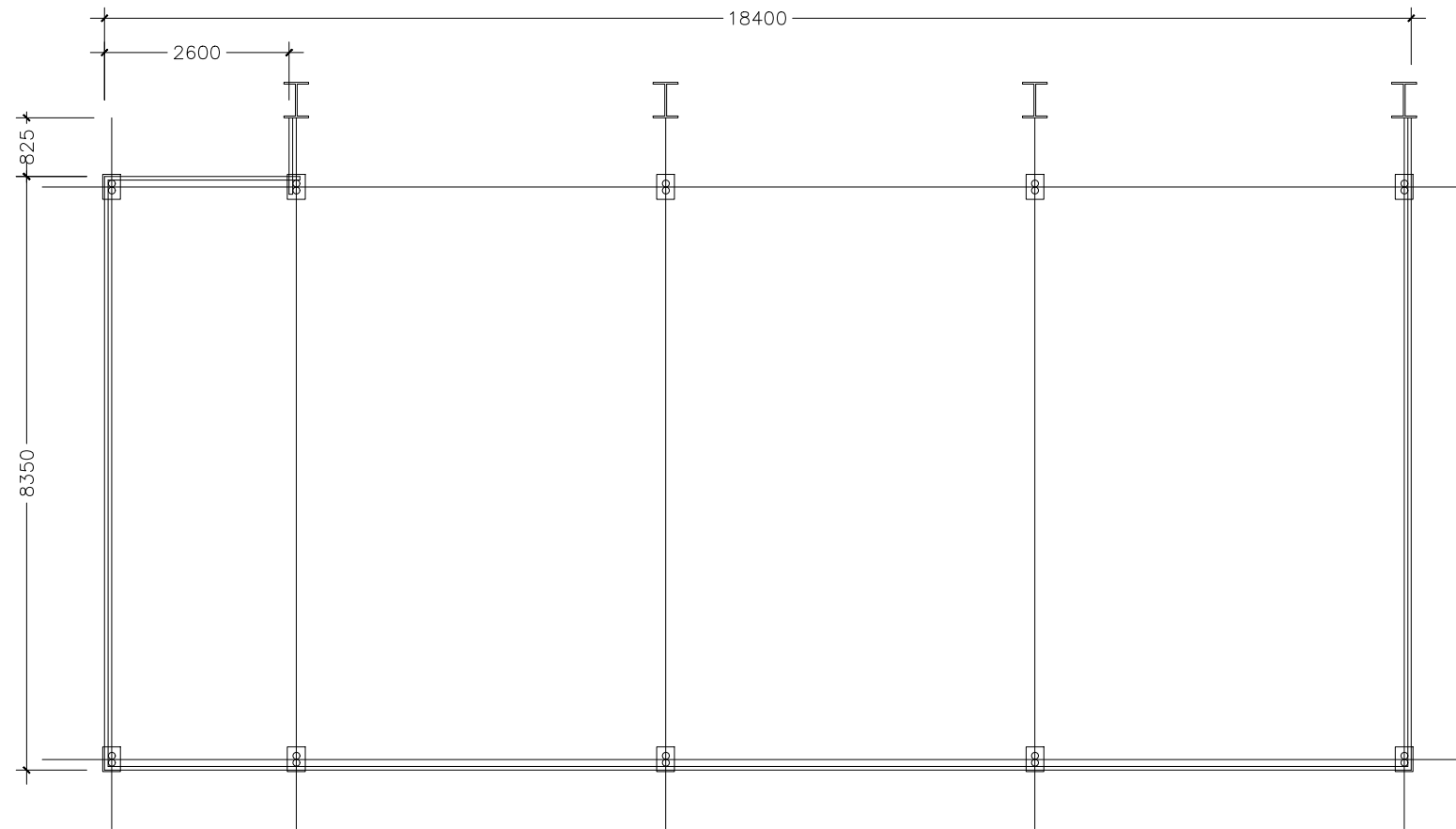
PAGE NO. 02

DWG NO. VDWTEEX-R3 A1-02

DATE 22.12.2018



MINISTRY OF ENVIROMENT AND ENERGY
GREEN BUILDING, HANDHUVAREE HIGUN,
MAAFANNU, MALE' (20392), REPUBLIC OF MALDIVES,
TEL: +960-3018431, +960-3018300, FAX: +960-328301



CLADDING PLAN
SCALE 1 :100

APPROVED BY

PROJECT
INCINERATOR SHED EXTENSION
R. VANDHOO RWMF

DESIGN BY
AFRAZ

AMENDMENTS

TITLE
LAYOUT - CLADDING PLAN

STRUCTURE BY
AFRAZ

CLIENT DEPARTMENT
WMPC DEPARTMENT

DRAWN BY
AFRAZ

PAPER SIZE A3

SCALE 1:100

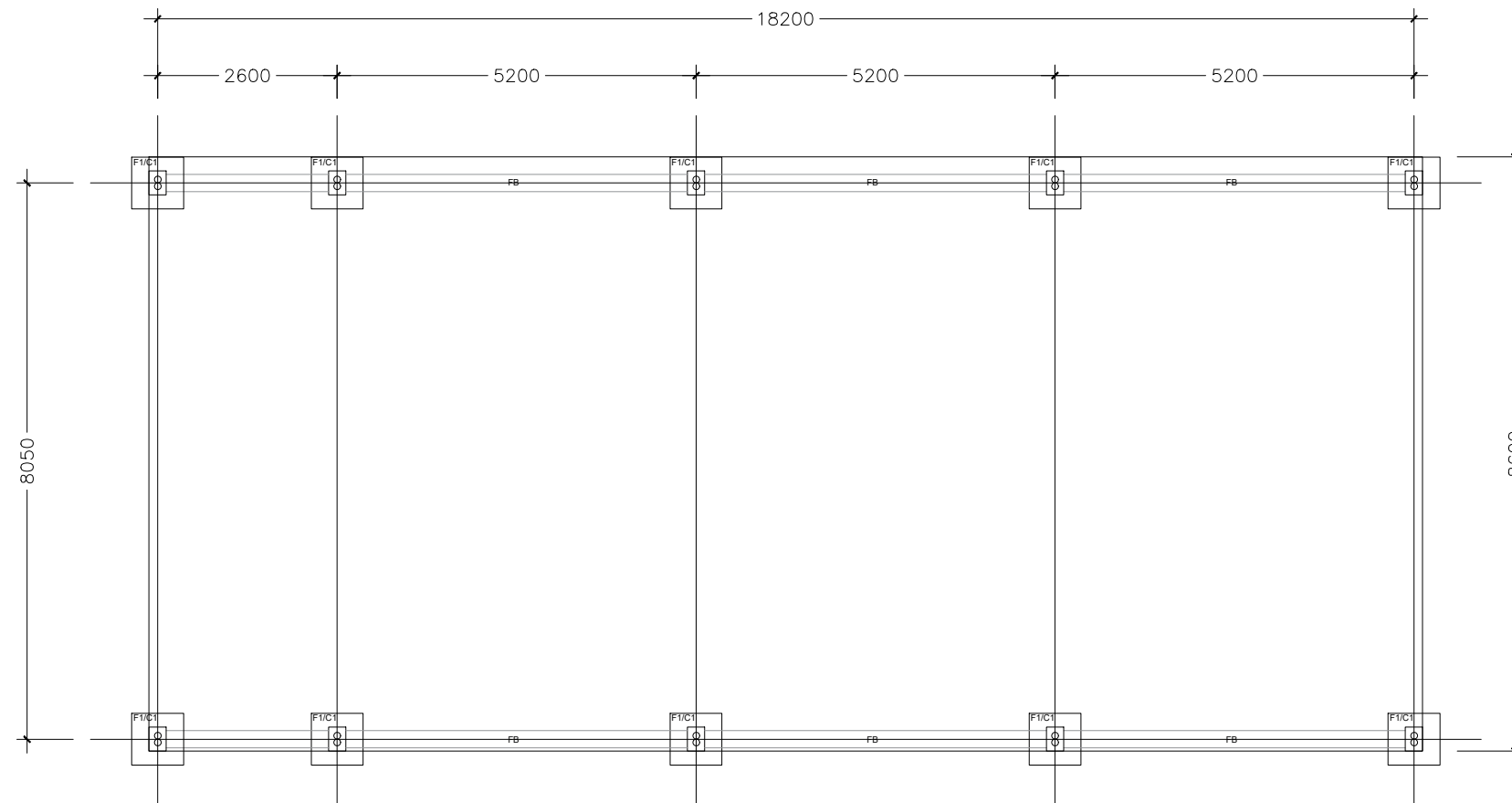
PAGE NO. 03

DWG NO. VDWTEEX-R3 A1-03

DATE 22.12.2018



MINISTRY OF ENVIROMENT AND ENERGY
GREEN BUILDING, HANDHUVAREE HIGUN,
MAAFANNU, MALE' (20392), REPUBLIC OF MALDIVES,
TEL: +960-3018431, +960-3018300, FAX: +960-328301



FOUNDATION PLAN
SCALE 1:100

APPROVED BY

PROJECT

DESIGN BY

AMENDMENTS

INCINERATOR SHED EXTENSION
R. VANDHOO RWMF

AFRAZ

TITLE

STRUCTURE BY

FOUNDATION PLAN

AFRAZ

CLIENT DEPARTMENT

DRAWN BY

WMPC DEPARTMENT

AFRAZ

PAPER SIZE A3

SCALE 1:100

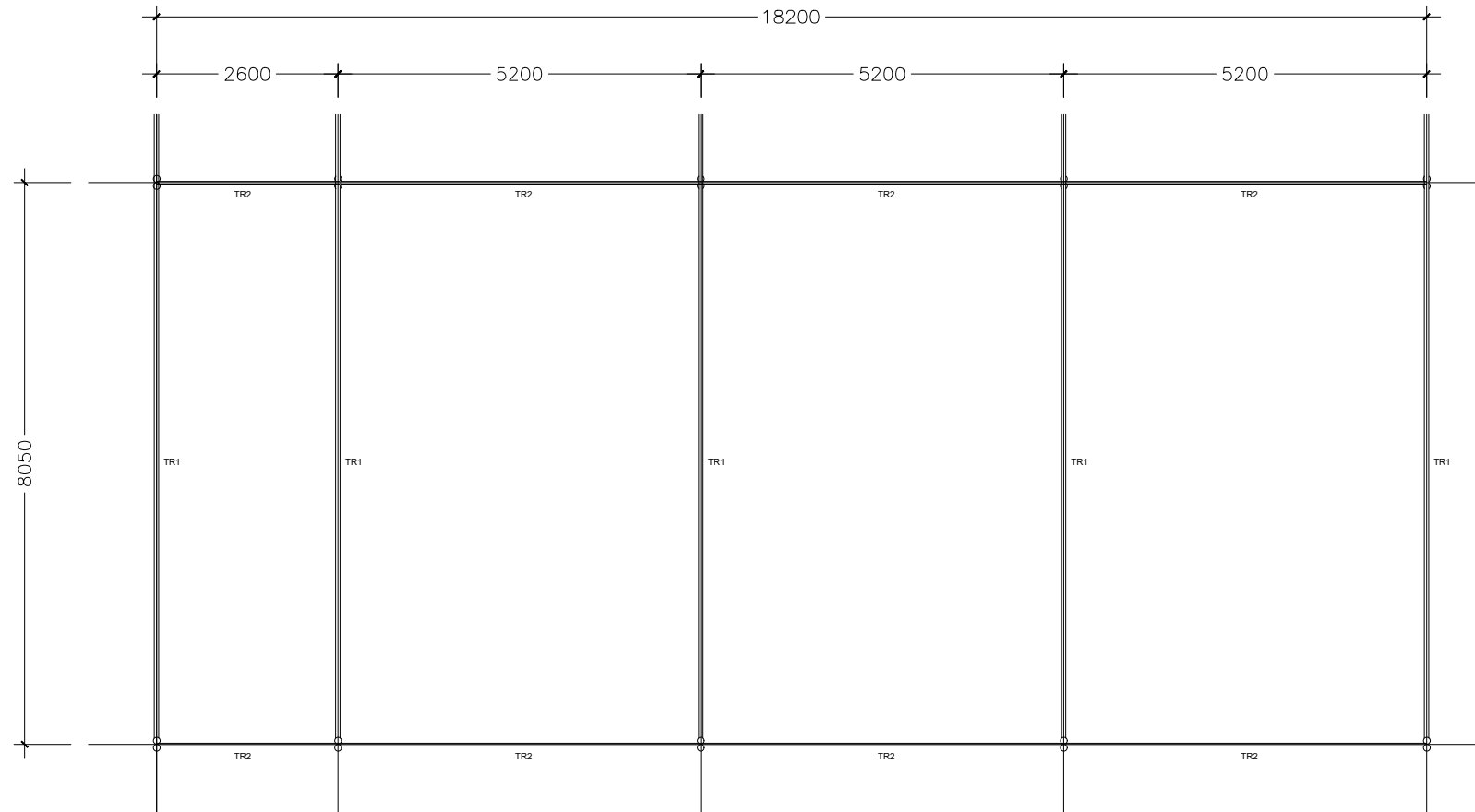
PAGE NO. 04

DWG NO. VDWTEEX-R3 A1-04

DATE 22.12.2018



MINISTRY OF ENVIROMENT AND ENERGY
GREEN BUILDING, HANDHUVAREE HIGUN,
MAAFANNU, MALE' (20392), REPUBLIC OF MALDIVES,
TEL: +960-3018431, +960-3018300, FAX: +960-328301



ROOF STRUCTURE PLAN
SCALE 1 :100

APPROVED BY

PROJECT

DESIGN BY

AMENDMENTS

INCINERATOR SHED EXTENSION
R. VANDHOO RWMF

AFRAZ

TITLE
ROOF STRUCTURE PLAN

STRUCTURE BY
AFRAZ

CLIENT DEPARTMENT
WMPC DEPARTMENT

DRAWN BY
AFRAZ

PAPER SIZE A3

SCALE 1:100

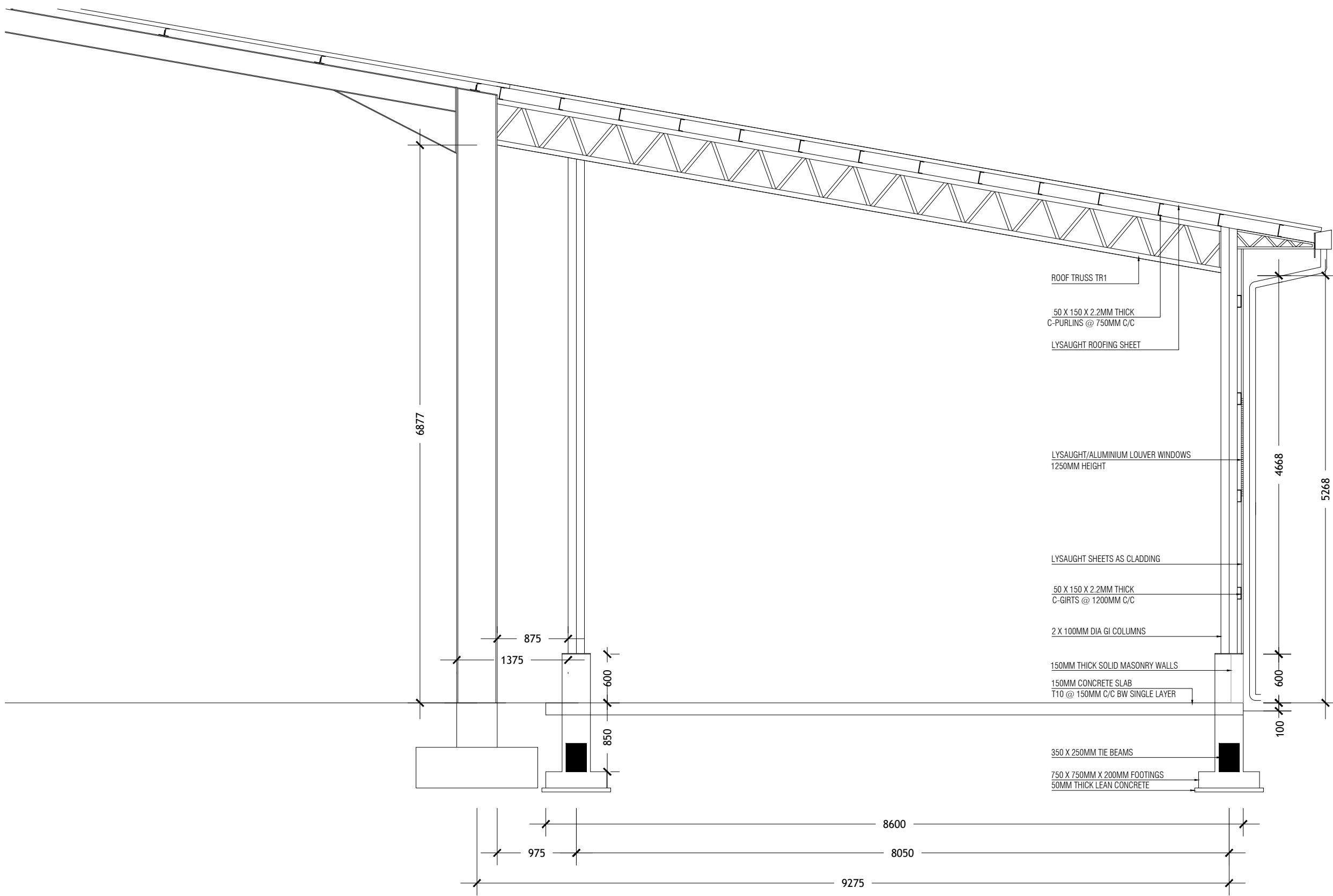
PAGE NO. 05

DWG NO. VDWTEEX-R3 A1-05

DATE 22.12.2018



MINISTRY OF ENVIROMENT AND ENERGY
GREEN BUILDING, HANDHUVAREE HIGUN,
MAAFANNU, MALE' (20392), REPUBLIC OF MALDIVES,
TEL: +960-3018431, +960-3018300, FAX: +960-328301



SECTION
SCALE 1:50

APPROVED BY

PROJECT

DESIGN BY

AMENDMENTS

INCINERATOR SHED EXTENSION
R. VANDHOO RWMF

AFRAZ

TITLE

STRUCTURE BY

SECTION

AFRAZ

CLIENT DEPARTMENT

DRAWN BY

WMPC DEPARTMENT

AFRAZ

PAPER SIZE A3

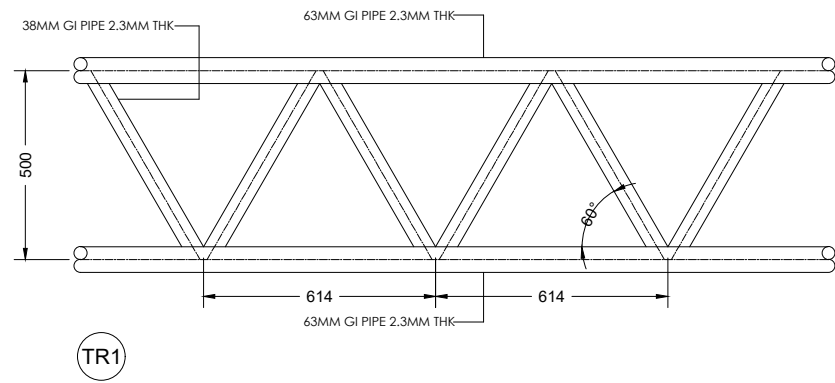
SCALE 1:100

PAGE NO. 07

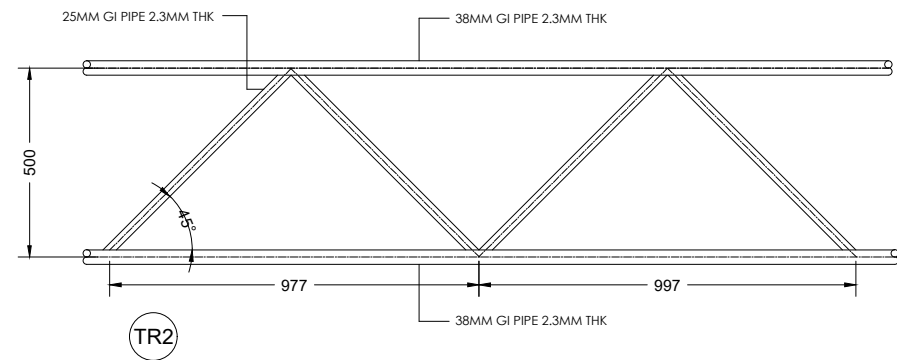
DWG NO. VDWTEEX-R3 A2-07

DATE 22.12.2018



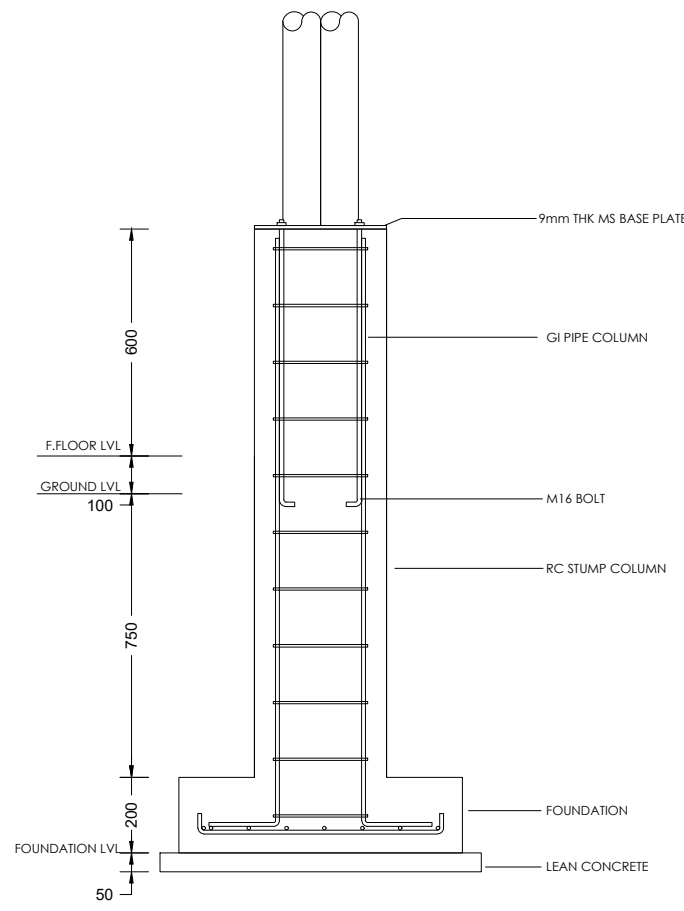


TR1



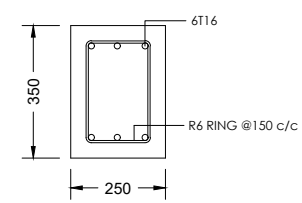
TR2

TRUSS DETAILS

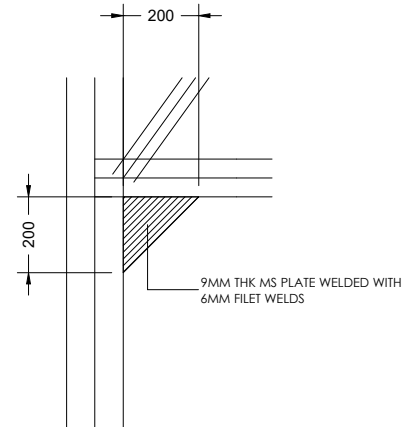


FOUNDATION DETAILS

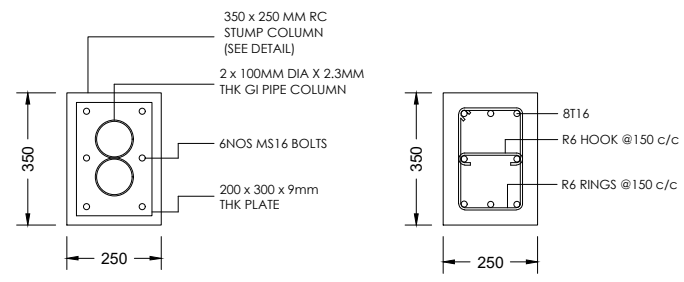
PAD	SIZE (MM)	REINFORCEMENT
F1	750 x 750 x 200	T10 @ 100 c/c BW (BOTTOM)



FB



COLUMN AND TRUSS CONNECTION DETAILS



GI PIPE COLUMN RC STUMP COLUMN

C1

STRUCTURAL DETAILS
SCALE 1:20

APPROVED BY	PROJECT	DESIGN BY	AMENDMENTS
<p>MINISTRY OF ENVIROMENT AND ENERGY GREEN BUILDING, HANDHUVAREE HIGUN, MAAFANNU, MALE' (20392), REPUBLIC OF MALDIVES, TEL: +960-3018431, +960-3018300, FAX: +960-328301</p>	INCINERATOR SHED EXTENSION R. VANDHOO RWMF	AFRAZ	
	TITLE	STRUCTURE BY	
	SECTION	AFRAZ	
	CLIENT DEPARTMENT WMPC DEPARTMENT	DRAWN BY AFRAZ	
	PAPER SIZE A3	SCALE 1:100	
	PAGE NO. 08	DWG NO. VDWTEEX-R3 S1-08	
		DATE 22.12.2018	