

PROPOSED LANDSCAPE DESIGN AT MALDIVES POLYTECHNIC K.MALE' CAMPUS

ARCHITECTURAL, STRUCTURAL & SERVICES DRAWINGS

JULY 2023

CLIENT : MINISTRY OF HIGHER EDUCATION

DESIGN BY

ArchEng
s t u d i o
Ma Fiyajahaage, 1st floor, Male'. Republic of Maldives
admin@archeng.biz



MALE MAP



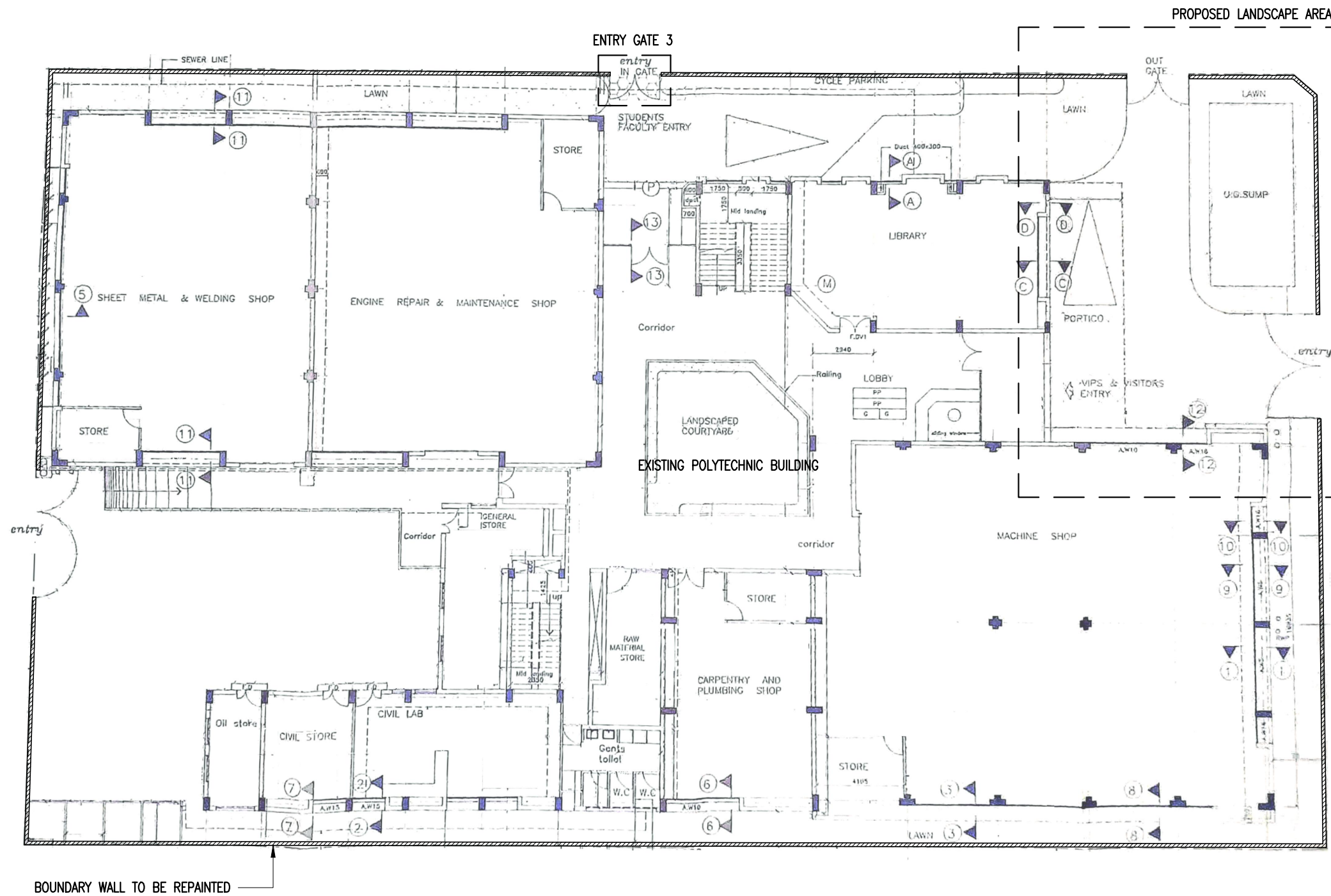
LOCATION OF MALDIVES POLYTECHNIC

LOCATION PLAN
N.T.S

CONTRACTORS MUST
CHECK ALL
DIMENSIONS ON SITE
BEFORE STARTING
ANY WORK OR SHOP
DRAWINGS, FIGURED
DIMENSIONS TO TAKE
PRECEDENCE OVER
SCALE READINGS



REVISION:	ARCHITECT: MOHAMED HAMEEN	PROJECT: MALDIVES POLYTECHNIC, K.MALE' CAMPUS	A-01
	ENGINEER: MARIYAM SAMAH	LOCATION: K.MALE'	
	ARCHITECTURAL CHECKER: MOHAMED HAMEEN	DRAWING TITLE: AS GIVEN	
	STRUCTURAL CHECKER: MOHAMED AHSAN	CLIENT: MINISTRY OF HIGHER EDUCATION	
	DRAWN BY: DEVADHARSHINI	SCALE: AS GIVEN DIMENSION: MM DATE: JUNE 2023	
CONCEPT AND DESIGN IN THIS DRAWING ARE THE PROPERTIES OF ARCHENG STUDIO PVT LTD. UNAUTHORIZED USE OR REPRODUCTION OF PART OF THE DESIGN, DRAWINGS OR CONCEPT TO USE IN OTHER PROJECTS OR SITES OTHER THAN SPECIFIED ON THIS DRAWING IS PROHIBITED			DWG NO: PROJECT NO: 23-017

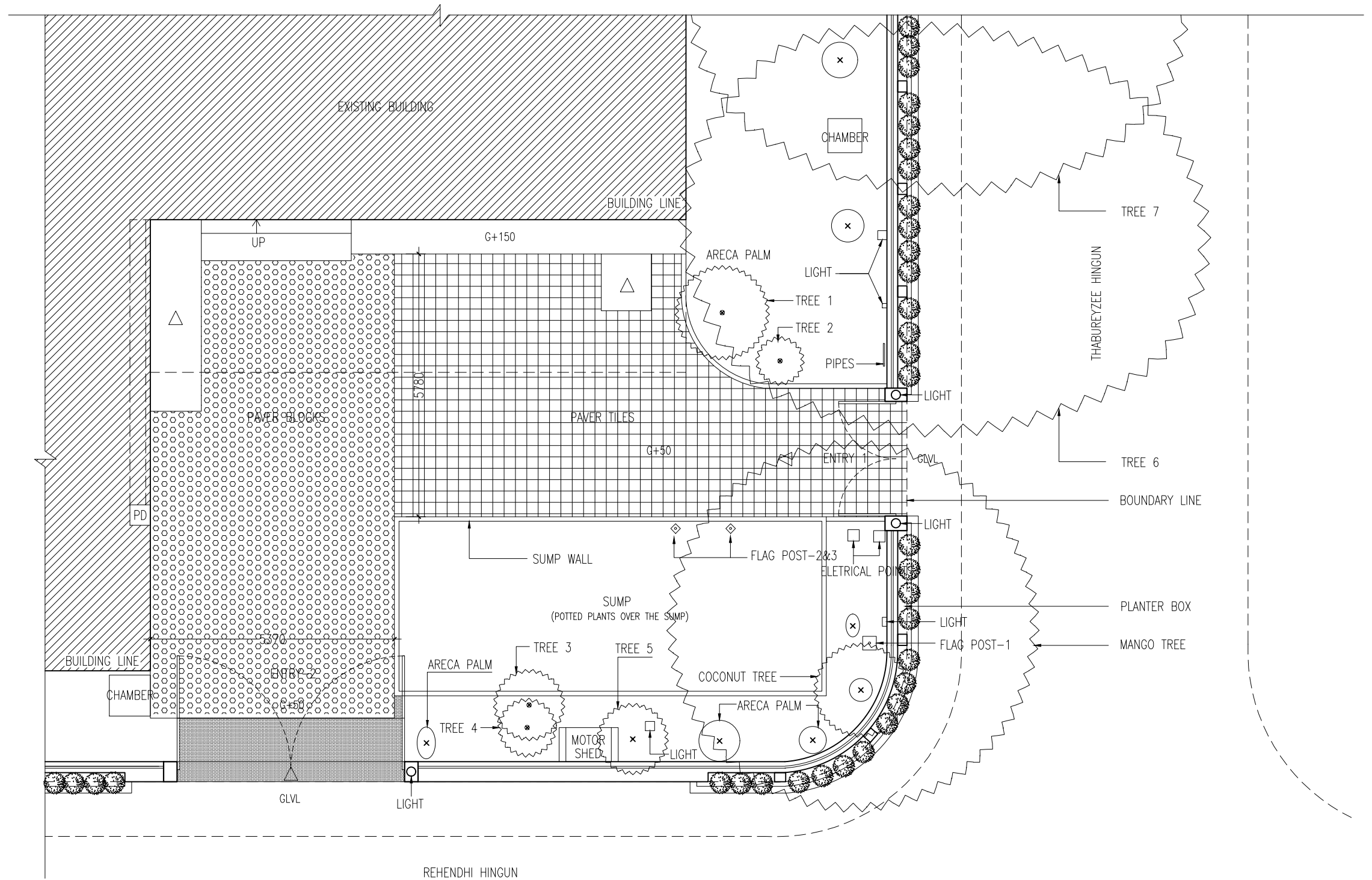


GROUND FLOOR PLAN-PROPOSED LANDSCAPE AREA
SCALE 1:200

CONTRACTORS MUST CHECK ALL DIMENSIONS ON SITE BEFORE STARTING ANY WORK OR SHOP DRAWINGS, FIGURED DIMENSIONS TO TAKE PRECEDENCE OVER SCALE READINGS



REVISION:	ARCHITECT: MOHAMED HAMEEN	PROJECT: MALDIVES POLYTECHNIC, K.MALE' CAMPUS	A-02
	ENGINEER: MARIYAM SAMAH	LOCATION: K.MALE'	
	ARCHITECTURAL CHECKER: MOHAMED HAMEEN	DRAWING TITLE: AS GIVEN	
	STRUCTURAL CHECKER: MOHAMED AHSAN	CLIENT: MINISTRY OF HIGHER EDUCATION	
	DRAWN BY: DEVADHARSHINI	SCALE: AS GIVEN DIMENSION: MM DATE: JUNE 2023	
CONCEPT AND DESIGN IN THIS DRAWING ARE THE PROPERTIES OF ARCHENG STUDIO PVT LTD. UNAUTHORIZED USE OR REPRODUCTION OF PART OF THE DESIGN, DRAWINGS OR CONCEPT TO USE IN OTHER PROJECTS OR SITES OTHER THAN SPECIFIED ON THIS DRAWING IS PROHIBITED			DWG NO PROJECT NO: 23-017



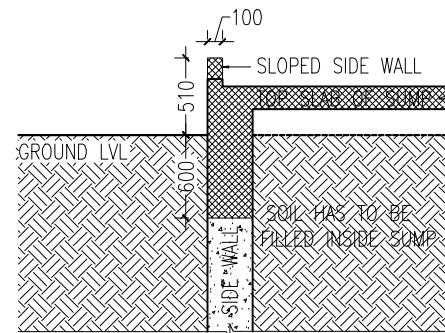
EXISTING LANDSCAPE AREA
SCALE 1:100

CONTRACTORS MUST CHECK ALL DIMENSIONS ON SITE BEFORE STARTING ANY WORK OR SHOP DRAWINGS, FIGURED DIMENSIONS TO TAKE PRECEDENCE OVER SCALE READINGS



REVISION:	ARCHITECT: MOHAMED HAMEEN	PROJECT: MALDIVES POLYTECHNIC, K.MALE' CAMPUS
	ENGINEER: MARIYAM SAMAH	LOCATION: K.MALE'
	ARCHITECTURAL CHECKER: MOHAMED HAMEEN	DRAWING TITLE: AS GIVEN
	STRUCTURAL CHECKER: MOHAMED AHSAN	CLIENT: MINISTRY OF HIGHER EDUCATION
	DRAWN BY: DEVADHARSHINI	SCALE: AS GIVEN DIMENSION: MM DATE: JUNE 2023
		A-03
		DWG NO
		PROJECT NO: 23-017

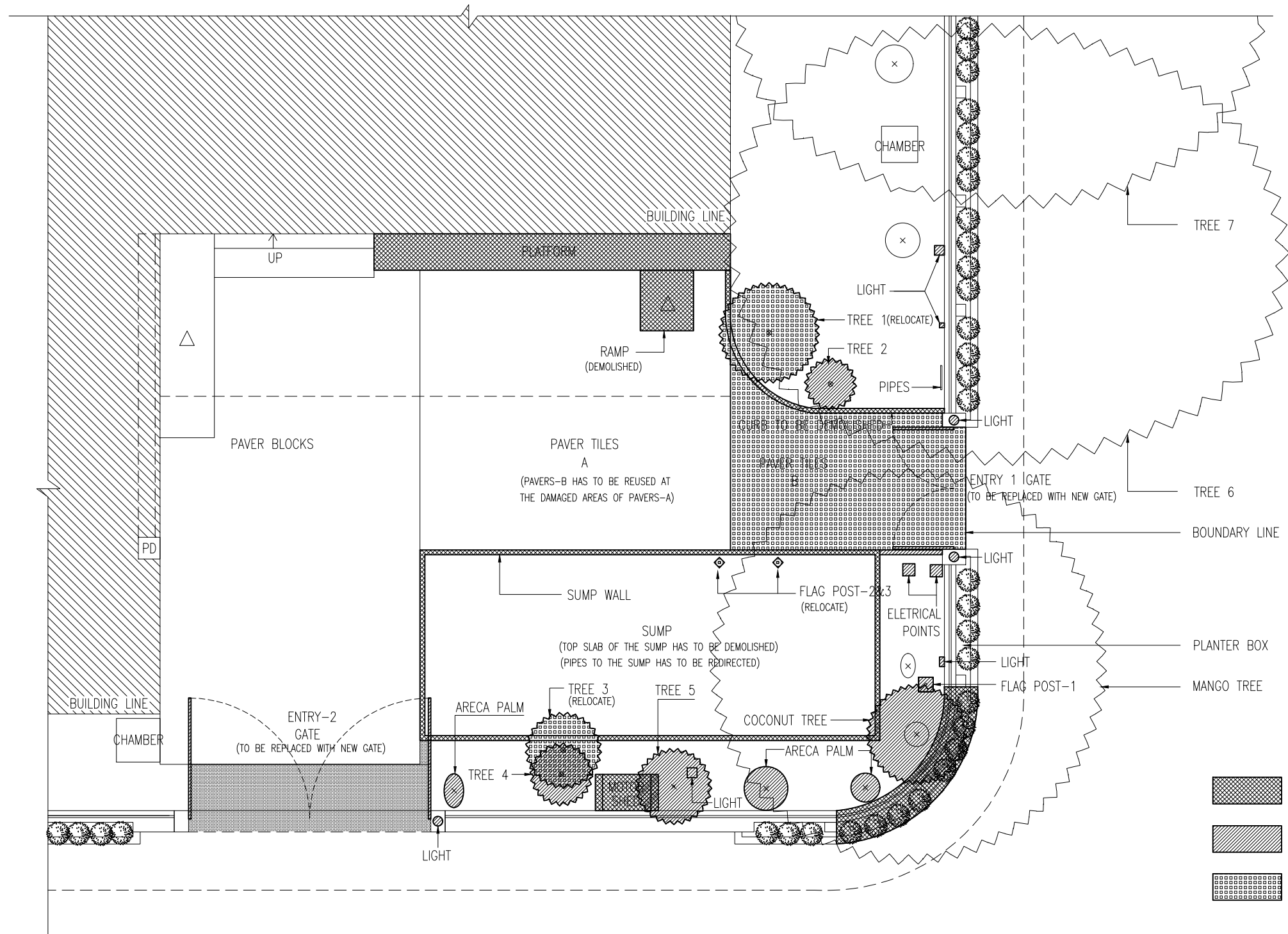
CONCEPT AND DESIGN IN THIS DRAWING ARE THE PROPERTIES OF ARCHENG STUDIO PVT LTD. UNAUTHORIZED USE OR REPRODUCTION OF PART OF THE DESIGN, DRAWINGS OR CONCEPT TO USE IN OTHER PROJECTS OR SITES OTHER THAN SPECIFIED ON THIS DRAWING IS PROHIBITED



SUMP WALL SECTION
SCALE 1:50

GENERAL NOTES:

- ALL THE POTTED PLANTS HAS TO BE REMOVED
- MARKED PLANTS AND TREES HAS TO BE REMOVED
- OLD GATES OF ENTRY 1,2&3 HAS TO BE REMOVED
- EXISTED FLAG POSTS-2&3 HAS TO BE REMOVED & RELOCATED
- DAMAGED / UNUSED LIGHTING FIXTURES HAS TO BE REMOVED
- PIPES TO THE SUMP HAS TO BE IDENTIFIED AND REDIRECTED OUTWARDS THE SITE
- RAMP AND PLATFORM TO BE DEMOLISHED
- SIDE WALLS AND TOP SLAB OF THE SUMP HAS TO BE DEMOLISHED
- CORNER CURVED AREA OF BOUNDARY WALL HAS TO BE DEMOLISHED
- MARKED AREA OF PAVER TILES (B) HAS TO BE REUSED AT THE DAMAGED AREAS OF PAVER TILES AREA-A
- OTHER MARKED AREAS SHOWN IN THE DEMOLITION PLAN HAS TO BE DEMOLISHED/REMOVED



DEMOLITION PLAN
SCALE 1:100

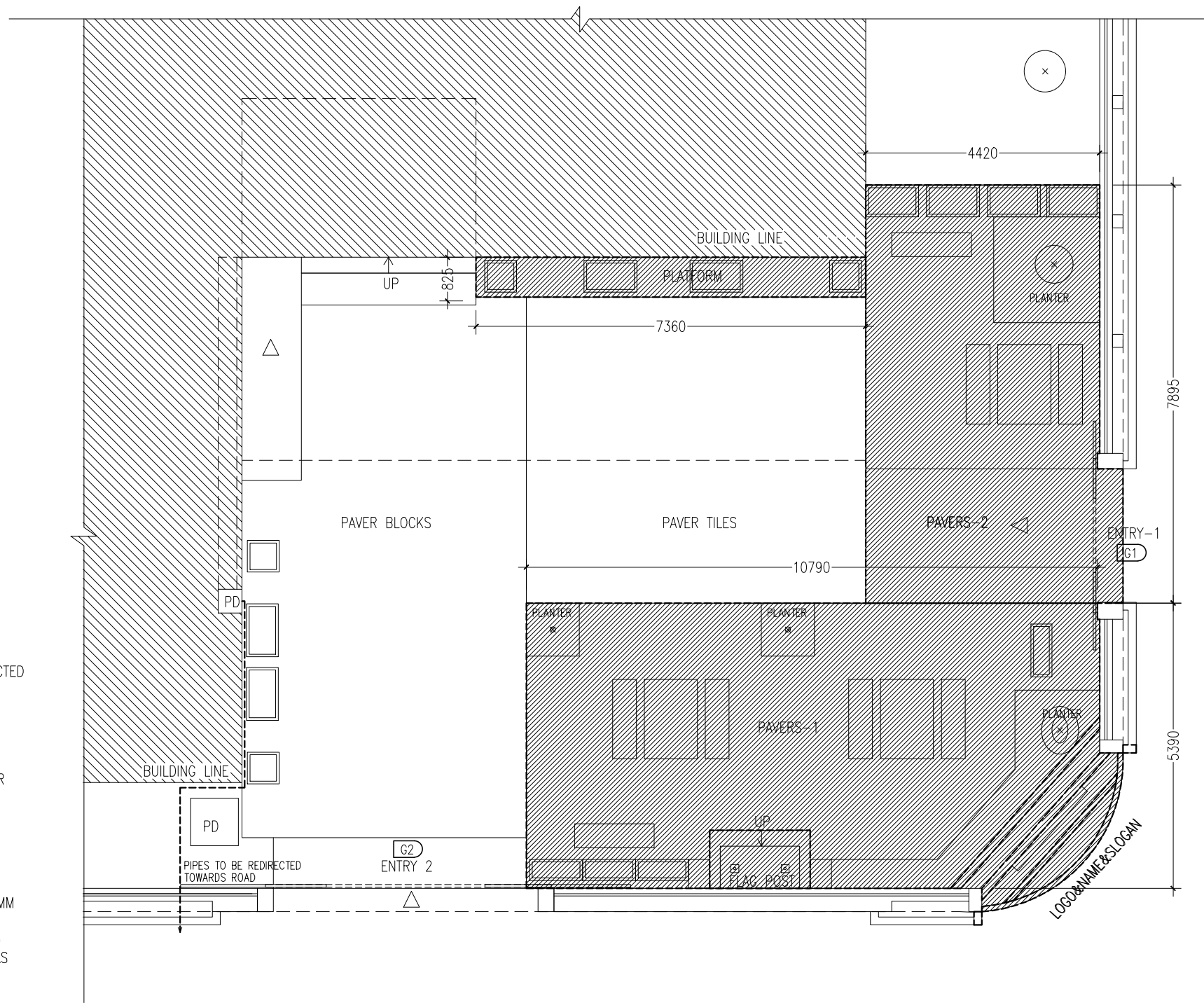
CONTRACTORS MUST CHECK ALL DIMENSIONS ON SITE BEFORE STARTING ANY WORK OR SHOP DRAWINGS, FIGURED DIMENSIONS TO TAKE PRECEDENCE OVER SCALE READINGS



REVISION:	ARCHITECT: MOHAMED HAMEEN	PROJECT: MALDIVES POLYTECHNIC, K.MALE' CAMPUS
	ENGINEER: MARIYAM SAMAH	LOCATION: K.MALE'
	ARCHITECTURAL CHECKER: MOHAMED HAMEEN	DRAWING TITLE: AS GIVEN
	STRUCTURAL CHECKER: MOHAMED AHSAN	CLIENT: MINISTRY OF HIGHER EDUCATION
	DRAWN BY: DEVADHARSHINI	SCALE: AS GIVEN DIMENSION: MM DATE: JUNE 2023
CONCEPT AND DESIGN IN THIS DRAWING ARE THE PROPERTIES OF ARCHENG STUDIO PVT LTD. UNAUTHORIZED USE OR REPRODUCTION OF PART OF THE DESIGN, DRAWINGS OR CONCEPT TO USE IN OTHER PROJECTS OR SITES OTHER THAN SPECIFIED ON THIS DRAWING IS PROHIBITED		A-04 DWG NO PROJECT NO: 23-017

GENERAL NOTES:

- GENERAL SITE CLEANING IS NEEDED
- PIPES FROM PLUMBING DUCT (PD) HAS TO BE REDIRECTED TOWARDS ROAD
- OTHER PIPES TO THE SUMP HAS TO BE IDENTIFIED & REDIRECTED OUTWARDS THE SITE
- EARTH MATERIAL/SOIL HAS TO BE FILLED INSIDE THE SUMP AREA
- ELECTRICAL CONNECTIONS HAS TO BE DONE FOR WATER FEATURE AND LIGHTS AS PER THE PROPOSED LIGHTING PLAN
- SITE HAS TO BE LEVELED AT DEMOLISHED AREAS AND SLOPED AT THE ENTRY 1 FOR RAMP BEFORE LAYING PAVERS
- PROPOSED PAVERS FLOORING HAS TO BE DONE
- DAMAGED PLATFORM HAS TO BE DEMOLISHED AND 100MM HIGH CONCRETE STEP PLATFORM TO BE CONSTRUCTED -T10@150CC BW-1 LAYER (GREY EPOXY PAINT FINISH)
- OTHER PROPOSED WORKS SHOWN IN REWORK PLAN HAS TO BE CONSTRUCTED
- WATER FEATURE AREA HAS TO BE COATED WITH WATER PROOFING MATERIAL



 NEW WORK AREA

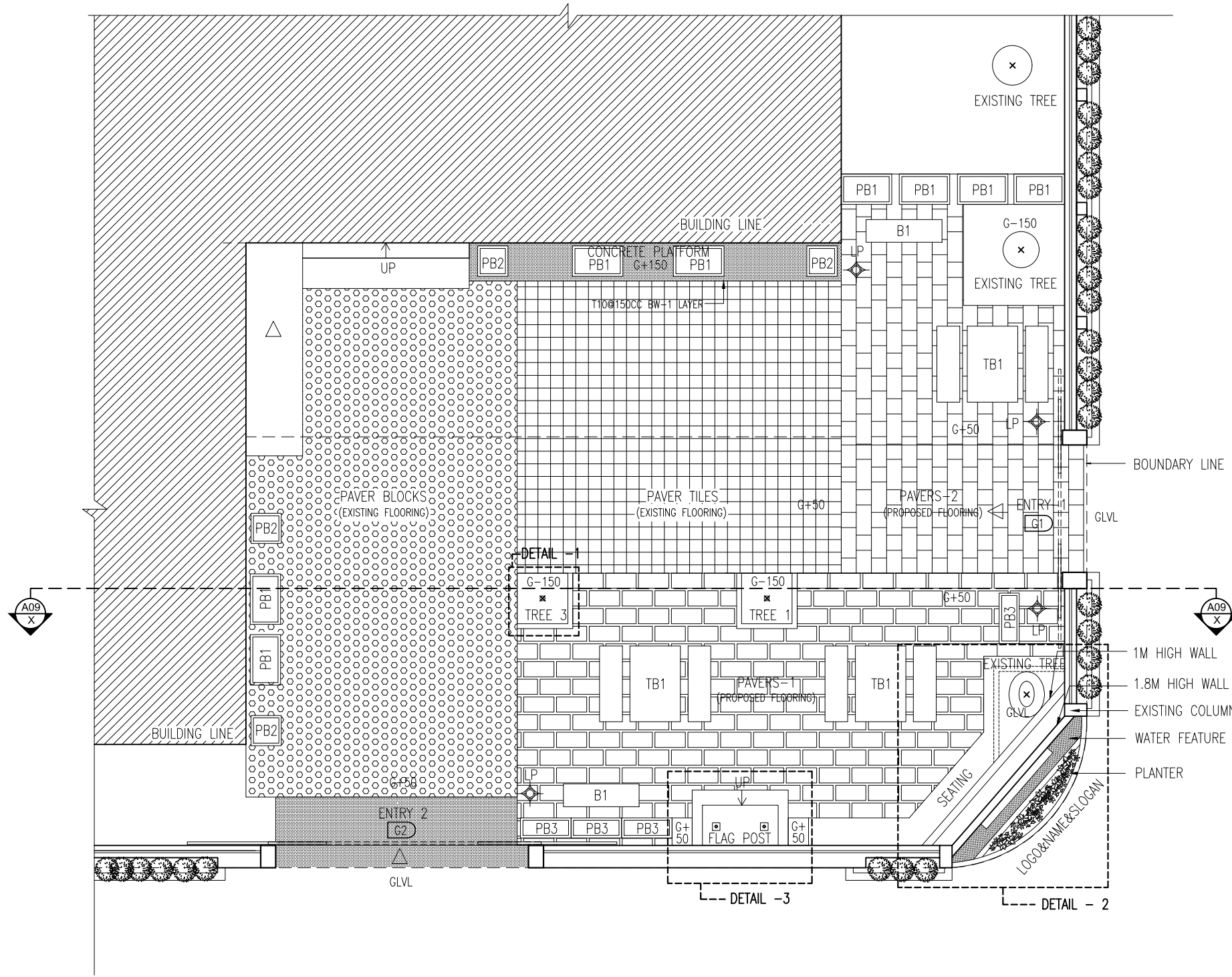
PROPOSED AREA UNDER CONSTRUCTION

SCALE 1:100

CONTRACTORS MUST CHECK ALL DIMENSIONS ON SITE BEFORE STARTING ANY WORK OR SHOP DRAWINGS. FIGURED DIMENSIONS TO TAKE PRECEDENCE OVER SCALE READINGS



REVISION:	ARCHITECT: MOHAMED HAMEEN	PROJECT: MALDIVES POLYTECHNIC, K.MALE' CAMPUS
	ENGINEER: MARIYAM SAMAH	LOCATION: K.MALE'
	ARCHITECTURAL CHECKER: MOHAMED HAMEEN	DRAWING TITLE: AS GIVEN
	STRUCTURAL CHECKER: MOHAMED AHSAN	CLIENT: MINISTRY OF HIGHER EDUCATION
	DRAWN BY: DEVADHARSHINI	SCALE: AS GIVEN DIMENSION: MM DATE: JUNE 2023
CONCEPT AND DESIGN IN THIS DRAWING ARE THE PROPERTIES OF ARCHENG STUDIO PVT LTD. UNAUTHORIZED USE OR REPRODUCTION OF PART OF THE DESIGN, DRAWINGS OR CONCEPT TO USE IN OTHER PROJECTS OR SITES OTHER THAN SPECIFIED ON THIS DRAWING IS PROHIBITED		A-05 DWG NO PROJECT NO: 23-017



LEGEND

TB1	TABLE & BENCH
B1	BENCH
PB1	PLANTER BOX 1
PB2	PLANTER BOX 2
PB3	PLANTER BOX 3
LP	LAMP POST

LEGEND

	PAVERS-1 600X300 MM GREY CONCRETE PAVERS GROUT GAP(50MM) WITH WHITE PEBBELES
	PAVERS-2 TYPE A-600X300 MM GREY CONCRETE PAVERS TYPE B-300X300 MM GREY CONCRETE PAVERS

NOTE: PAVERS LAYING HAS TO BE IN THE PATTERN AS SHOWN IN THE FLOORING PLAN.

PROPOSED LANDSCAPE PLAN
SCALE 1:100

CONTRACTORS MUST CHECK ALL DIMENSIONS ON SITE BEFORE STARTING ANY WORK OR SHOP DRAWINGS, FIGURED DIMENSIONS TO TAKE PRECEDENCE OVER SCALE READINGS

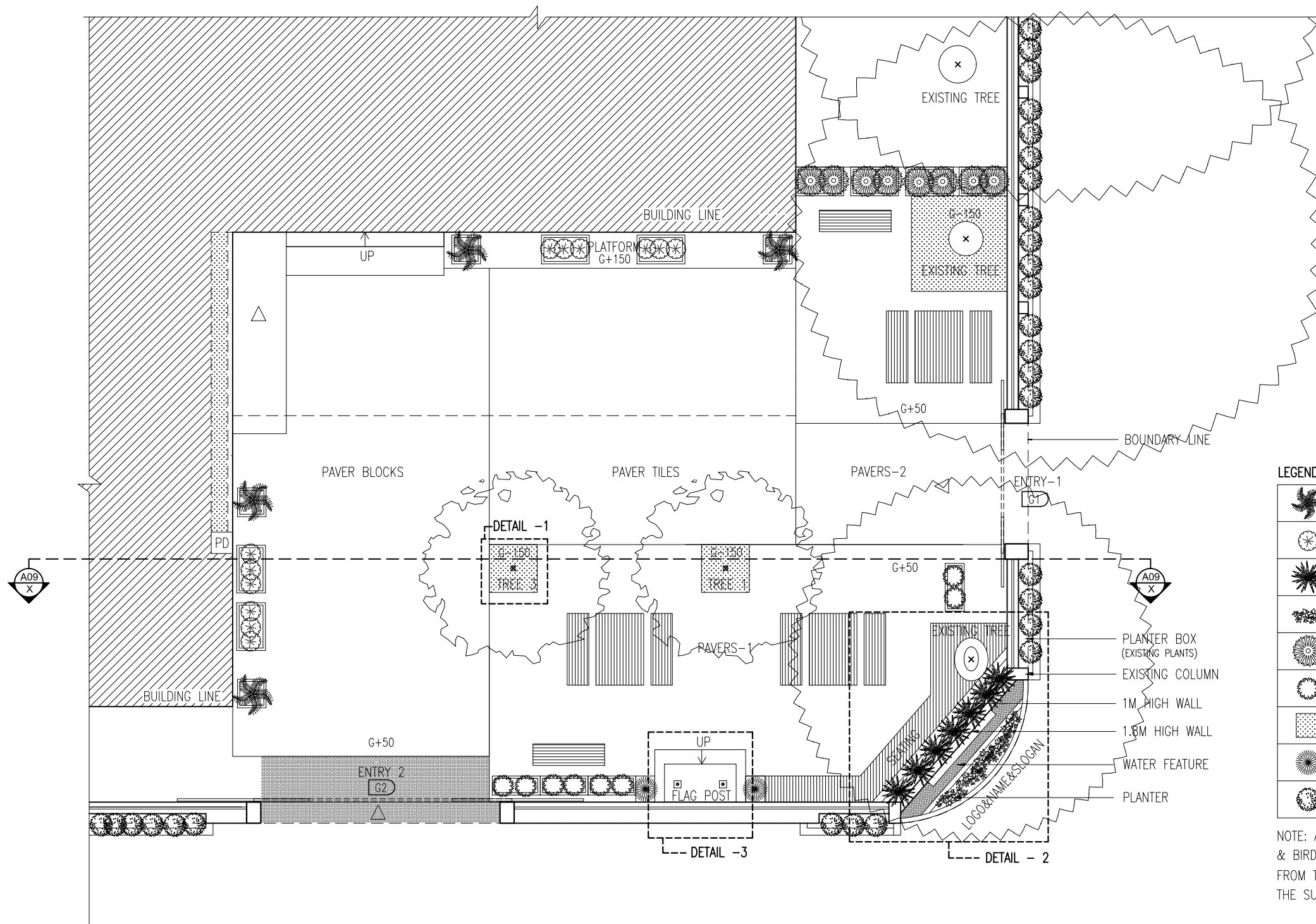


REVISION:	ARCHITECT: MOHAMED HAMEEN	PROJECT: MALDIVES POLYTECHNIC, K.MALE' CAMPUS
	ENGINEER: MARIYAM SAMAH	LOCATION: K.MALE'
	ARCHITECTURAL CHECKER: MOHAMED HAMEEN	DRAWING TITLE: AS GIVEN
	STRUCTURAL CHECKER: MOHAMED AHSAN	CLIENT: MINISTRY OF HIGHER EDUCATION
	DRAWN BY: DEVADHARSHINI	SCALE: AS GIVEN
		DIMENSION: MM
		DATE: JUNE 2023
		PROJECT NO: 23-017

A-06

DWG NO

CONCEPT AND DESIGN IN THIS DRAWING ARE THE PROPERTIES OF ARCHENG STUDIO PVT LTD. UNAUTHORIZED USE OR REPRODUCTION OF PART OF THE DESIGN, DRAWINGS OR CONCEPT TO USE IN OTHER PROJECTS OR SITES OTHER THAN SPECIFIED ON THIS DRAWING IS PROHIBITED



LEGEND

	ARECA PALM
	SPIDER LILY
	PANDAN
	FIRE CRACKER
	MADAGASCAR DRAGON
	SCALY SWORD FERN
	SINGAPORE DAISY/GRASS
	BIRD OF PARADISE
	EXISTING PLANTS

NOTE: ARECA PALM, MADAGASCAR DRAGON & BIRD OF PARADISE CAN BE RELOCATED FROM THE EXISTING POTTED PLANTS OVER THE SUMP

PROPOSED TREE PLAN
SCALE 1:100

CONTRACTORS MUST CHECK ALL DIMENSIONS ON SITE BEFORE STARTING ANY WORK OR SHOP DRAWINGS, FIGURED DIMENSIONS TO TAKE PRECEDENCE OVER SCALE READINGS

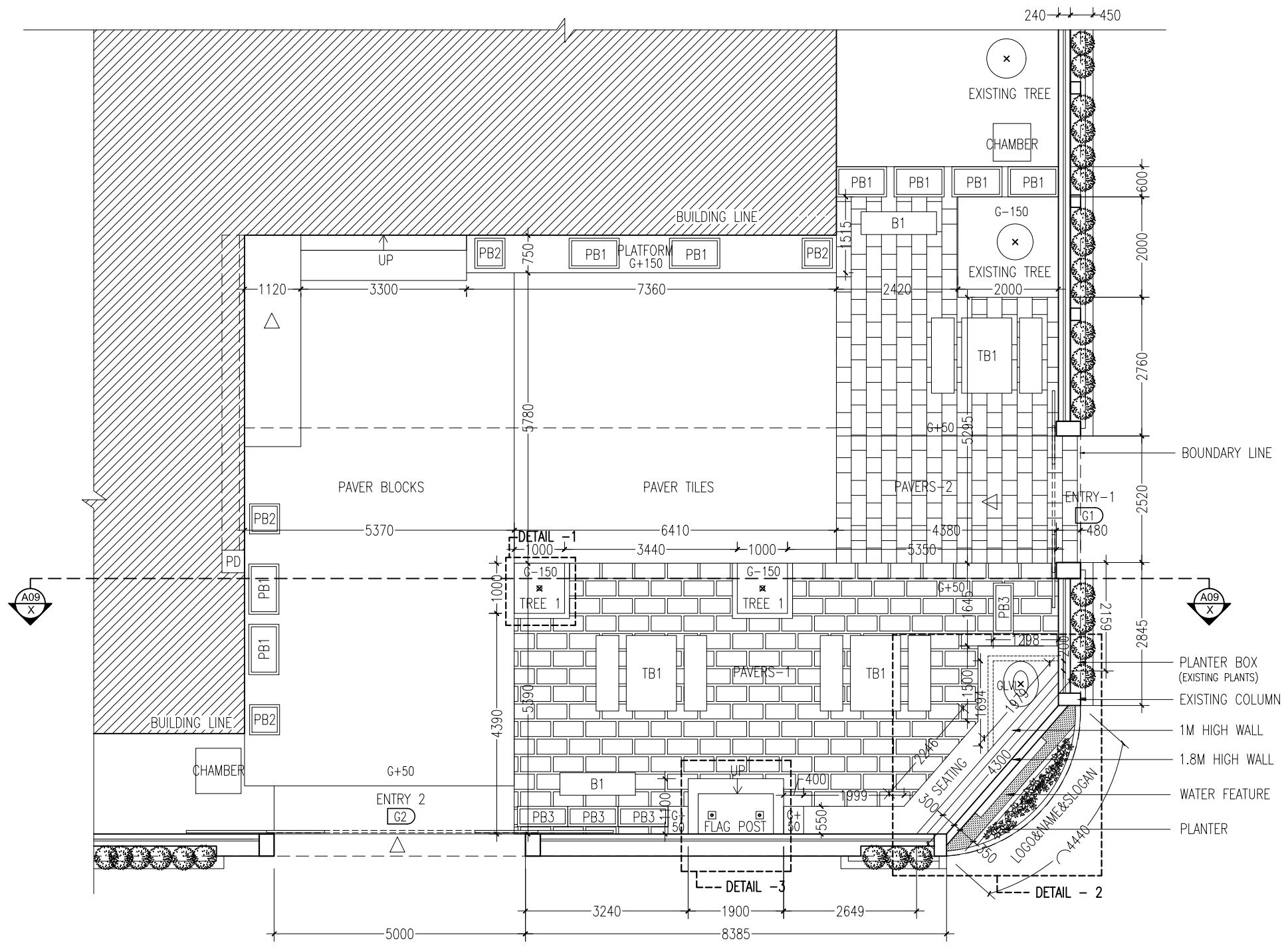


REVISION:	ARCHITECT: MOHAMED HAMEEN	PROJECT: MALDIVES POLYTECHNIC, K.MALE' CAMPUS
	ENGINEER: MARIYAM SAMAH	LOCATION: K.MALE'
	ARCHITECTURAL CHECKER: MOHAMED HAMEEN	DRAWING TITLE: AS GIVEN
	STRUCTURAL CHECKER: MOHAMED AHSAN	CLIENT: MINISTRY OF HIGHER EDUCATION
	DRAWN BY: DEVADHARSHINI	SCALE: AS GIVEN DIMENSION: MM DATE: JUNE 2023

A-07

DWG NO: PROJECT NO: 23-017

CONCEPT AND DESIGN IN THIS DRAWING ARE THE PROPERTIES OF ARCHENG STUDIO PVT LTD. UNAUTHORIZED USE OR REPRODUCTION OF PART OF THE DESIGN, DRAWINGS OR CONCEPT TO USE IN OTHER PROJECTS OR SITES OTHER THAN SPECIFIED ON THIS DRAWING IS PROHIBITED



**DETAIL -1-PROPOSED OUTDOOR AREA
- DIMENSION PLAN**
SCALE 1:100

CONTRACTORS MUST CHECK ALL DIMENSIONS ON SITE BEFORE STARTING ANY WORK OR SHOP DRAWINGS, FIGURED DIMENSIONS TO TAKE PRECEDENCE OVER SCALE READINGS

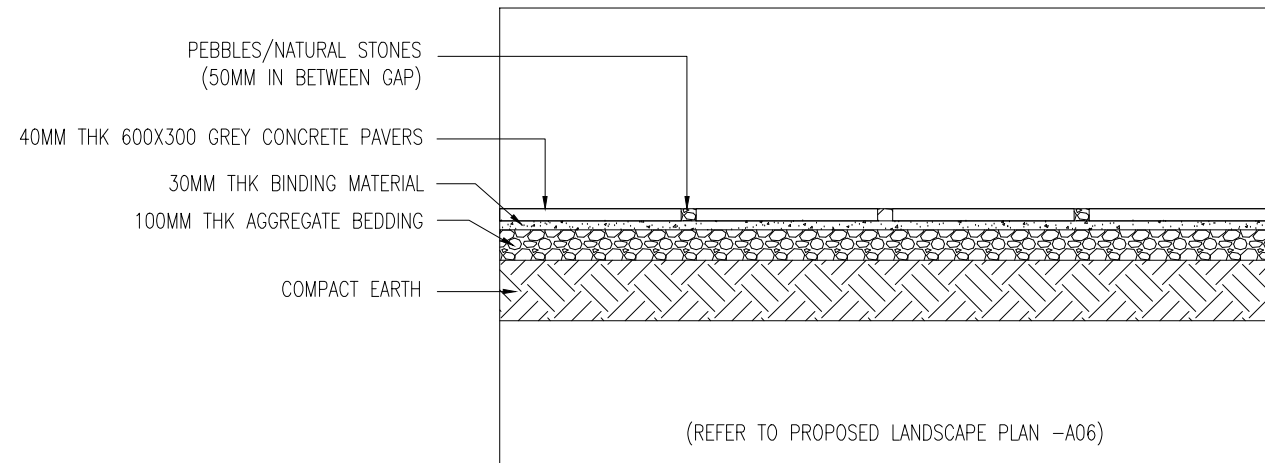


REVISION:	ARCHITECT: MOHAMED HAMEEN	PROJECT: MALDIVES POLYTECHNIC, K.MALE' CAMPUS
	ENGINEER: MARIYAM SAMAH	LOCATION: K.MALE'
	ARCHITECTURAL CHECKER: MOHAMED HAMEEN	DRAWING TITLE: AS GIVEN
	STRUCTURAL CHECKER: MOHAMED AHSAN	CLIENT: MINISTRY OF HIGHER EDUCATION
	DRAWN BY: DEVADHARSHINI	SCALE: AS GIVEN DIMENSION: MM DATE: JUNE 2023

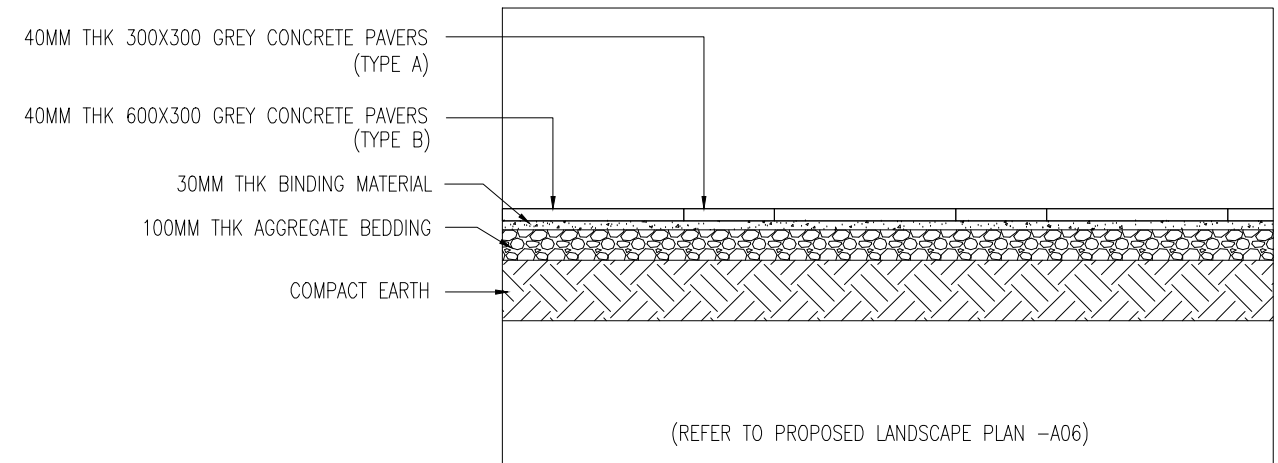
A-08

DWG NO: PROJECT NO: 23-017

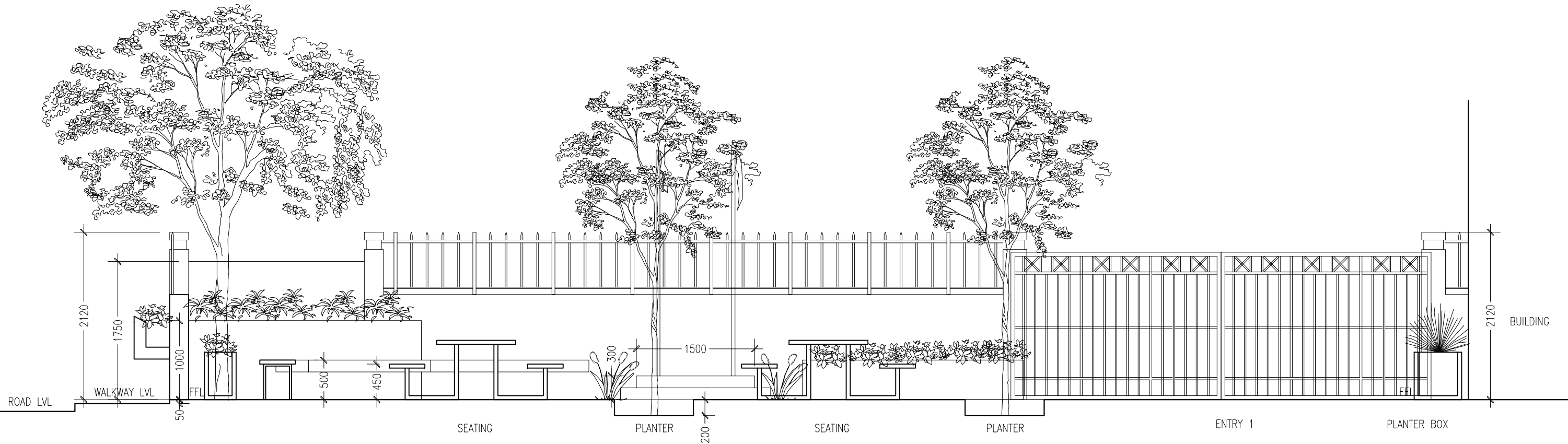
CONCEPT AND DESIGN IN THIS DRAWING ARE THE PROPERTIES OF ARCHENG STUDIO PVT LTD. UNAUTHORIZED USE OR REPRODUCTION OF PART OF THE DESIGN, DRAWINGS OR CONCEPT TO USE IN OTHER PROJECTS OR SITES OTHER THAN SPECIFIED ON THIS DRAWING IS PROHIBITED



PROPOSED PAVERS - 1 - SECTION DETAIL
SCALE 1:25



PROPOSED PAVERS - 2 - SECTION DETAIL
SCALE 1:25



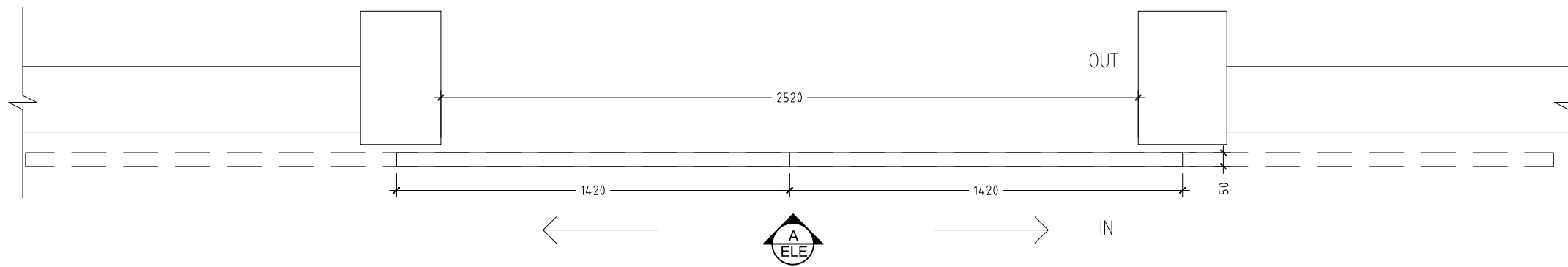
SECTION X-X
SCALE 1:50

CONTRACTORS MUST CHECK ALL DIMENSIONS ON SITE BEFORE STARTING ANY WORK OR SHOP DRAWINGS. FIGURED DIMENSIONS TO TAKE PRECEDENCE OVER SCALE READINGS

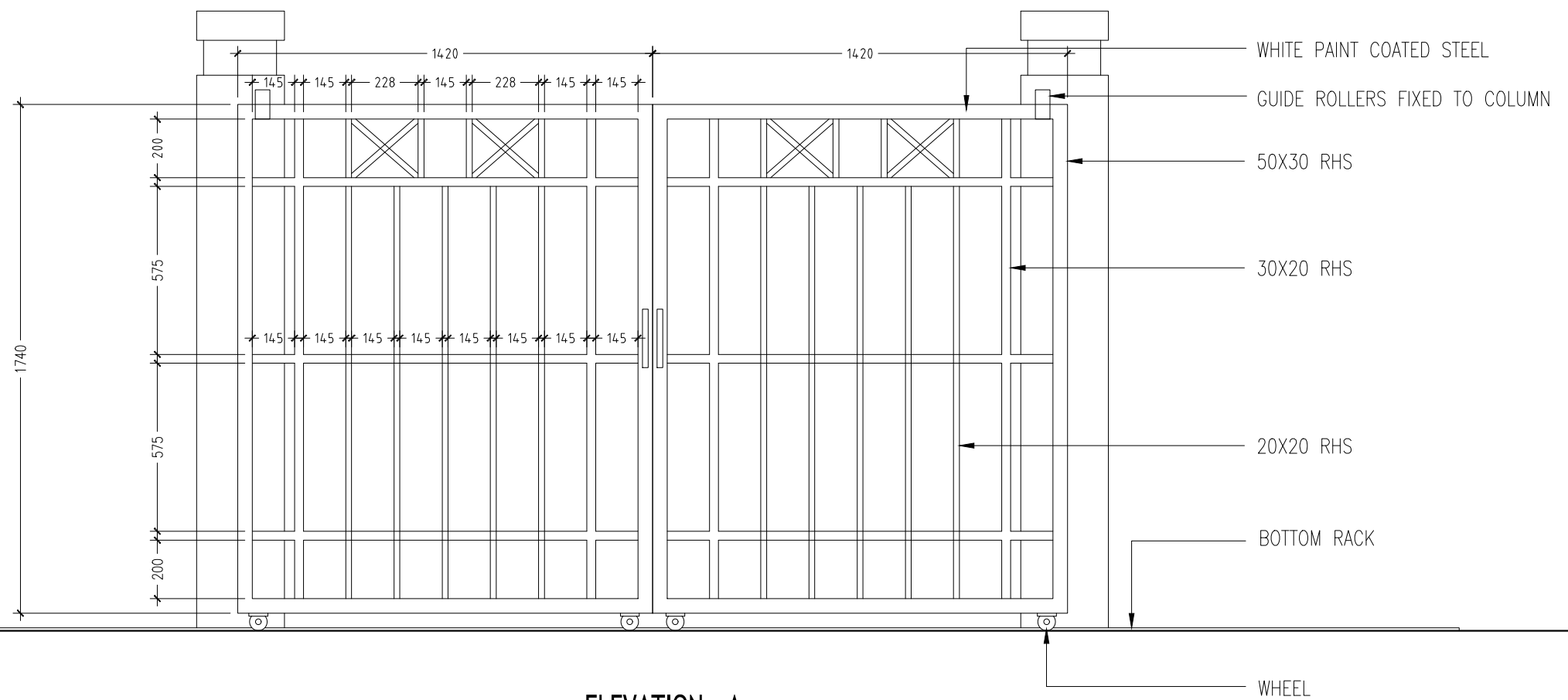


REVISION:	ARCHITECT: MOHAMED HAMEEN	PROJECT: MALDIVES POLYTECHNIC, K.MALE' CAMPUS
	ENGINEER: MARIYAM SAMAH	LOCATION: K.MALE'
	ARCHITECTURAL CHECKER: MOHAMED HAMEEN	DRAWING TITLE: AS GIVEN
	STRUCTURAL CHECKER: MOHAMED AHSAN	CLIENT: MINISTRY OF HIGHER EDUCATION
	DRAWN BY: DEVADHARSHINI	SCALE: AS GIVEN DIMENSION: MM DATE: JUNE 2023
		A-09
		DWG NO
		PROJECT NO: 23-017

CONCEPT AND DESIGN IN THIS DRAWING ARE THE PROPERTIES OF ARCHENG STUDIO PVT LTD. UNAUTHORIZED USE OR REPRODUCTION OF PART OF THE DESIGN, DRAWINGS OR CONCEPT TO USE IN OTHER PROJECTS OR SITES OTHER THAN SPECIFIED ON THIS DRAWING IS PROHIBITED



GATE 1 - PLAN



ELEVATION - A

GATE 1 - AUTOMATIC SLIDING GATE

SCALE 1:20

NOTE: REFER TO THE SHEET A-06 FOR THE LOCATION OF THE GATE 1

AUTOMATIC STEEL SLIDING GATES – SHOP DRAWINGS & DETAILS TO BE PROVIDED BY CONTRACTOR

CONTRACTORS MUST CHECK ALL DIMENSIONS ON SITE BEFORE STARTING ANY WORK OR SHOP DRAWINGS, FIGURED DIMENSIONS TO TAKE PRECEDENCE OVER SCALE READINGS

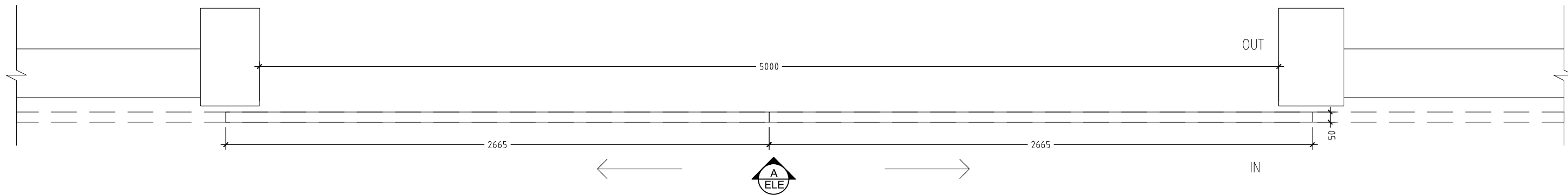


REVISION:	ARCHITECT: MOHAMED HAMEEN	PROJECT: MALDIVES POLYTECHNIC, K.MALE' CAMPUS
	ENGINEER: MARIYAM SAMAH	LOCATION: K.MALE'
	ARCHITECTURAL CHECKER: MOHAMED HAMEEN	DRAWING TITLE: AS GIVEN
	STRUCTURAL CHECKER: MOHAMED AHSAN	CLIENT: MINISTRY OF HIGHER EDUCATION
	DRAWN BY: DEVADHARSHINI	SCALE: AS GIVEN DIMENSION: MM DATE: JUNE 2023

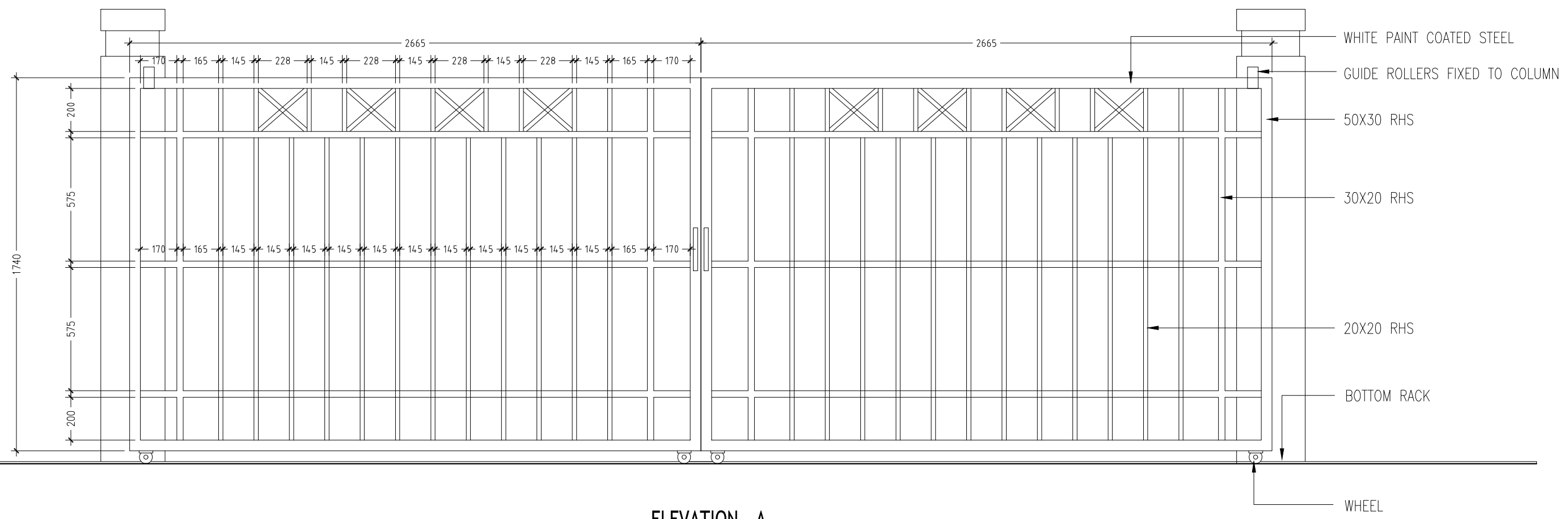
A-10

DWG NO: PROJECT NO: 23-017

CONCEPT AND DESIGN IN THIS DRAWING ARE THE PROPERTIES OF ARCHENG STUDIO PVT LTD. UNAUTHORIZED USE OR REPRODUCTION OF PART OF THE DESIGN, DRAWINGS OR CONCEPT TO USE IN OTHER PROJECTS OR SITES OTHER THAN SPECIFIED ON THIS DRAWING IS PROHIBITED



GATE 2 - PLAN



ELEVATION - A

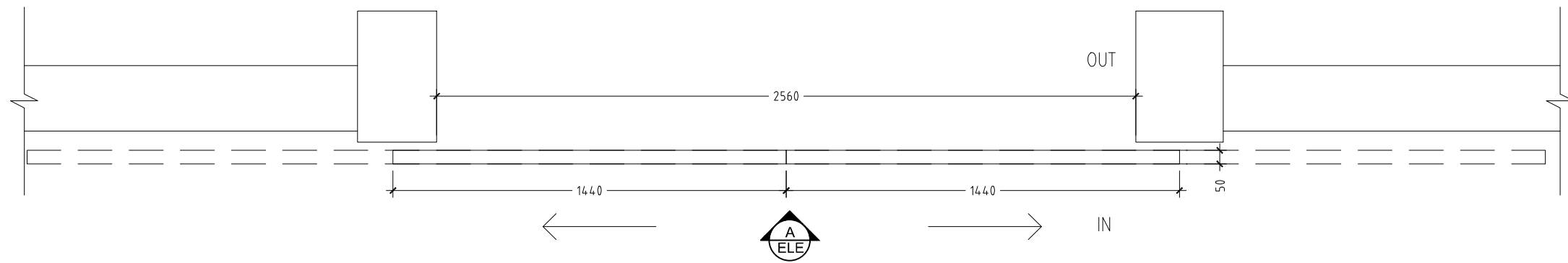
NOTE: REFER TO THE SHEET A-06 FOR THE LOCATION OF THE GATE 2
 AUTOMATIC STEEL SLIDING GATES – SHOP DRAWINGS & DETAILS TO BE PROVIDED BY CONTRACTOR

GATE 2 - AUTOMATIC SLIDING GATE
 SCALE 1:20

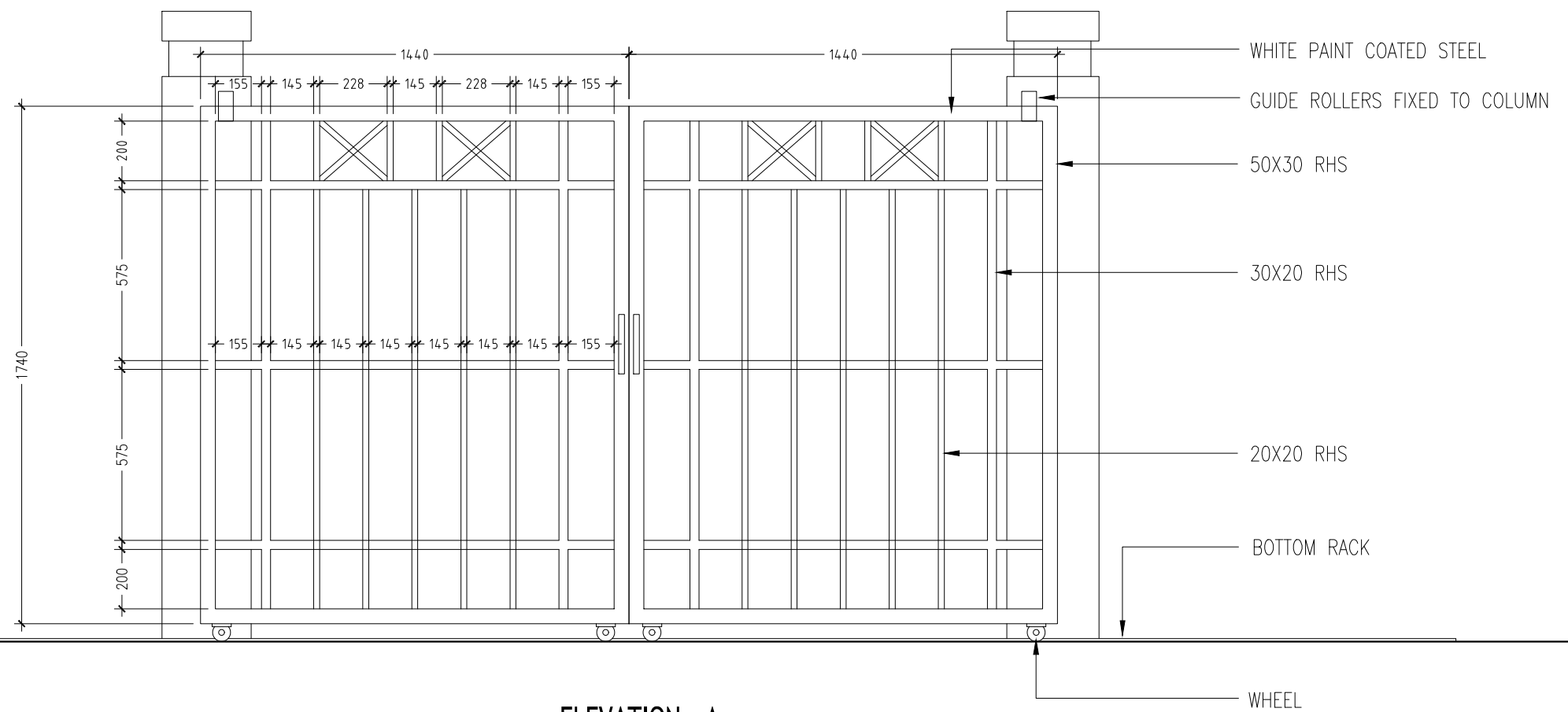
CONTRACTORS MUST CHECK ALL DIMENSIONS ON SITE BEFORE STARTING ANY WORK OR SHOP DRAWINGS, FIGURED DIMENSIONS TO TAKE PRECEDENCE OVER SCALE READINGS



REVISION:	ARCHITECT: MOHAMED HAMEEN	PROJECT: MALDIVES POLYTECHNIC, K.MALE' CAMPUS	A-11
	ENGINEER: MARIYAM SAMAH	LOCATION: K.MALE'	
	ARCHITECTURAL CHECKER: MOHAMED HAMEEN	DRAWING TITLE: AS GIVEN	
	STRUCTURAL CHECKER: MOHAMED AHSAN	CLIENT: MINISTRY OF HIGHER EDUCATION	
	DRAWN BY: DEVADHARSHINI	SCALE: AS GIVEN DIMENSION: MM DATE: JUNE 2023	
CONCEPT AND DESIGN IN THIS DRAWING ARE THE PROPERTIES OF ARCHENG STUDIO PVT LTD. UNAUTHORIZED USE OR REPRODUCTION OF PART OF THE DESIGN, DRAWINGS OR CONCEPT TO USE IN OTHER PROJECTS OR SITES OTHER THAN SPECIFIED ON THIS DRAWING IS PROHIBITED			DWG NO: PROJECT NO: 23-017



GATE 3 - PLAN



ELEVATION - A

GATE 3 - AUTOMATIC SLIDING GATE

SCALE 1:20

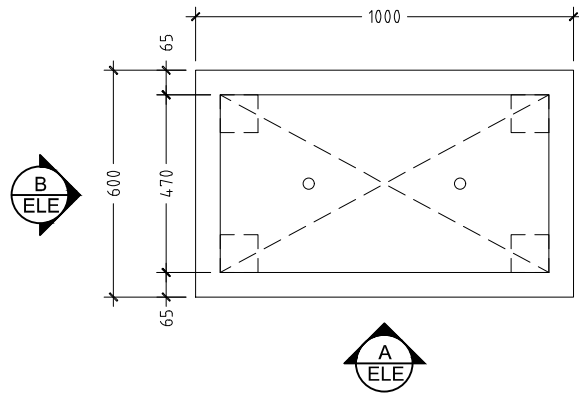
NOTE: REFER TO THE SHEET A-02 FOR THE LOCATION OF THE GATE 3

AUTOMATIC STEEL SLIDING GATES – SHOP DRAWINGS & DETAILS TO BE PROVIDED BY CONTRACTOR

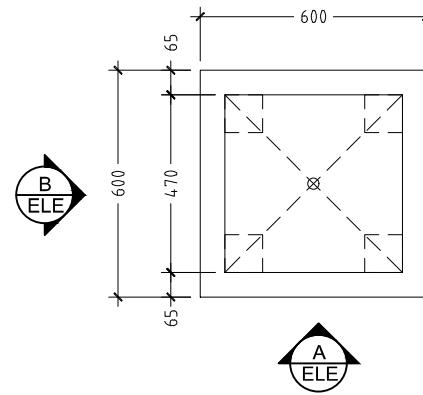
CONTRACTORS MUST CHECK ALL DIMENSIONS ON SITE BEFORE STARTING ANY WORK OR SHOP DRAWINGS, FIGURED DIMENSIONS TO TAKE PRECEDENCE OVER SCALE READINGS



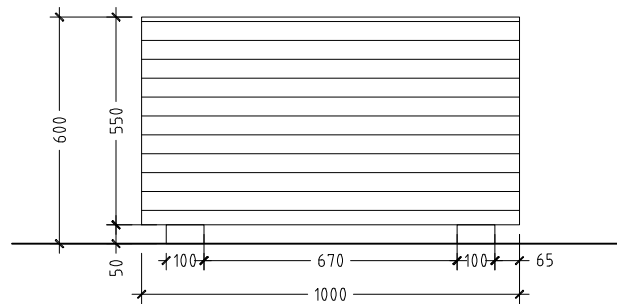
REVISION:	ARCHITECT: MOHAMED HAMEEN	PROJECT: MALDIVES POLYTECHNIC, K.MALE' CAMPUS	A-12
	ENGINEER: MARIYAM SAMAH	LOCATION: K.MALE'	
	ARCHITECTURAL CHECKER: MOHAMED HAMEEN	DRAWING TITLE: AS GIVEN	
	STRUCTURAL CHECKER: MOHAMED AHSAN	CLIENT: MINISTRY OF HIGHER EDUCATION	
	DRAWN BY: DEVADHARSHINI	SCALE: AS GIVEN DIMENSION: MM DATE: JUNE 2023	
CONCEPT AND DESIGN IN THIS DRAWING ARE THE PROPERTIES OF ARCHENG STUDIO PVT LTD. UNAUTHORIZED USE OR REPRODUCTION OF PART OF THE DESIGN, DRAWINGS OR CONCEPT TO USE IN OTHER PROJECTS OR SITES OTHER THAN SPECIFIED ON THIS DRAWING IS PROHIBITED			DWG NO: PROJECT NO: 23-017



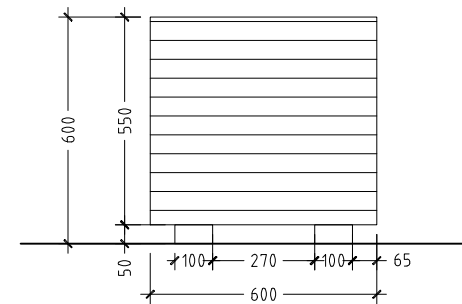
PB1 **PLANTER BOX 1 - PLAN**
SCALE 1:20



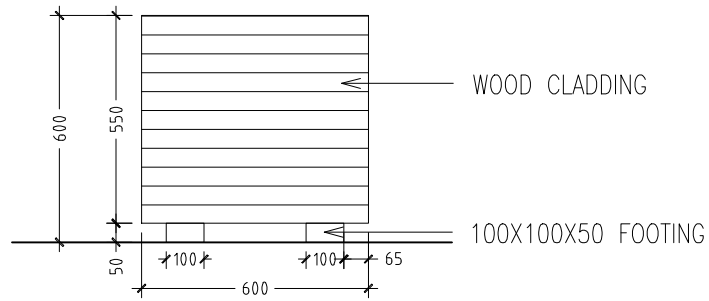
PB2 **PLANTER BOX 2 - PLAN**
SCALE 1:20



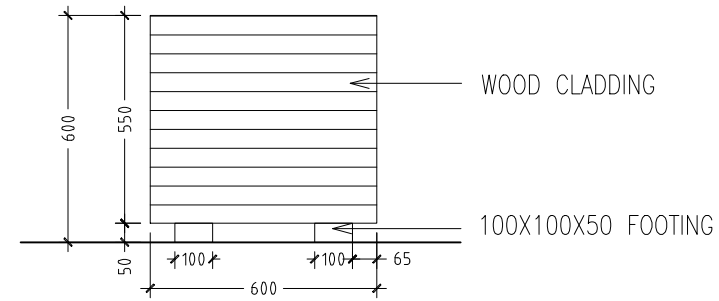
PB1 **ELEVATION - A**
SCALE 1:20



PB2 **ELEVATION - A**
SCALE 1:20



PB1 **ELEVATION - B**
SCALE 1:20



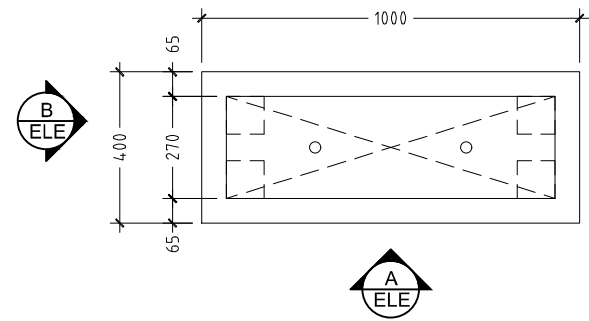
PB2 **ELEVATION - B**
SCALE 1:20

PLANTER BOX - DETAIL
SCALE 1:20

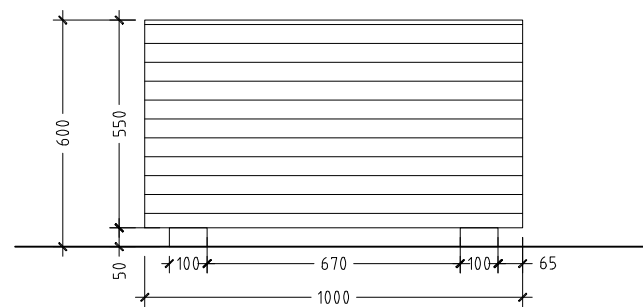
CONTRACTORS MUST CHECK ALL DIMENSIONS ON SITE BEFORE STARTING ANY WORK OR SHOP DRAWINGS, FIGURED DIMENSIONS TO TAKE PRECEDENCE OVER SCALE READINGS



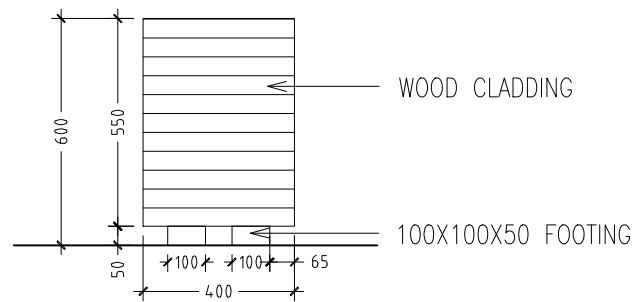
REVISION:	ARCHITECT: MOHAMED HAMEEN	PROJECT: MALDIVES POLYTECHNIC, K.MALE' CAMPUS	A-13
	ENGINEER: MARIYAM SAMAH	LOCATION: K.MALE'	
	ARCHITECTURAL CHECKER: MOHAMED HAMEEN	DRAWING TITLE: AS GIVEN	
	STRUCTURAL CHECKER: MOHAMED AHSAN	CLIENT: MINISTRY OF HIGHER EDUCATION	
	DRAWN BY: DEVADHARSHINI	SCALE: AS GIVEN DIMENSION: MM DATE: JUNE 2023	
CONCEPT AND DESIGN IN THIS DRAWING ARE THE PROPERTIES OF ARCHENG STUDIO PVT LTD. UNAUTHORIZED USE OR REPRODUCTION OF PART OF THE DESIGN, DRAWINGS OR CONCEPT TO USE IN OTHER PROJECTS OR SITES OTHER THAN SPECIFIED ON THIS DRAWING IS PROHIBITED			DWG NO: PROJECT NO: 23-017



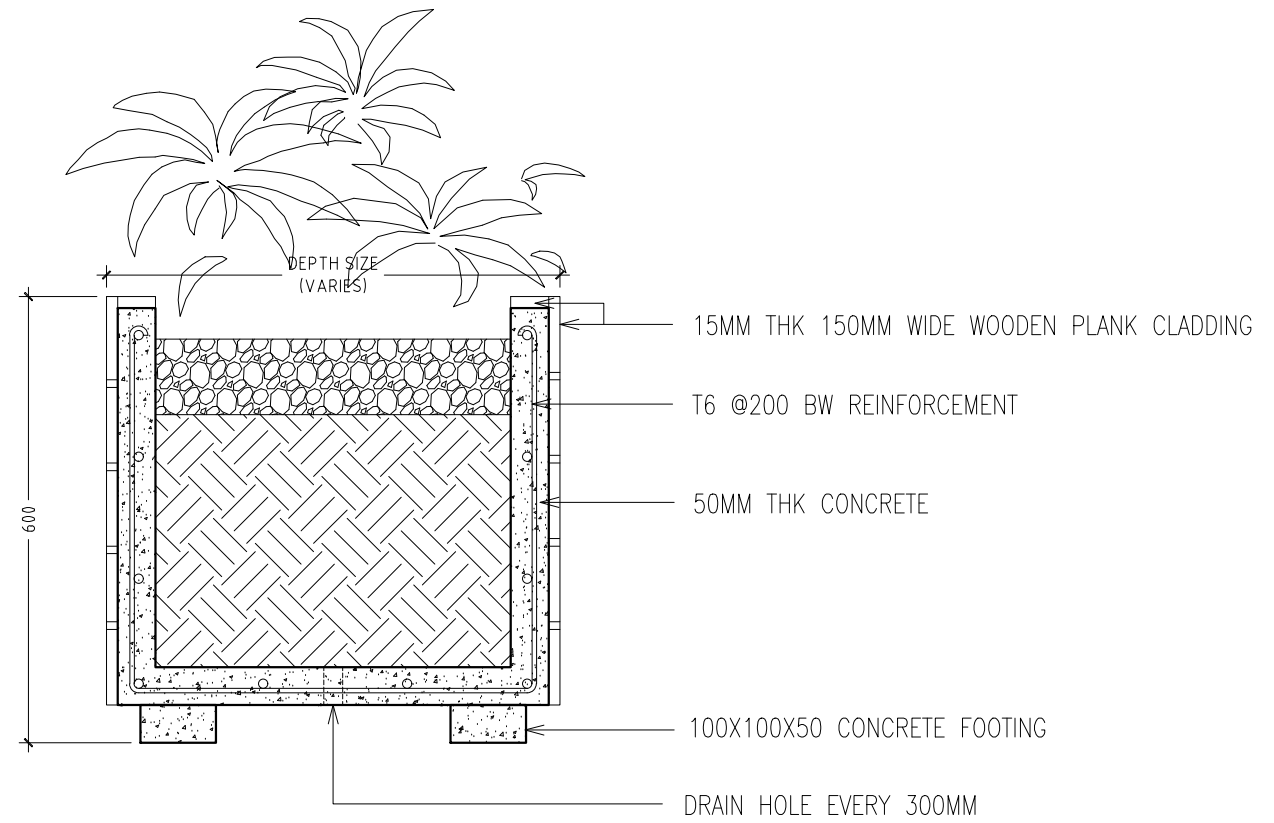
PB3 PLANTER BOX 3 - PLAN
SCALE 1:20



PB3 ELEVATION - A
SCALE 1:20



PB3 ELEVATION - B
SCALE 1:20



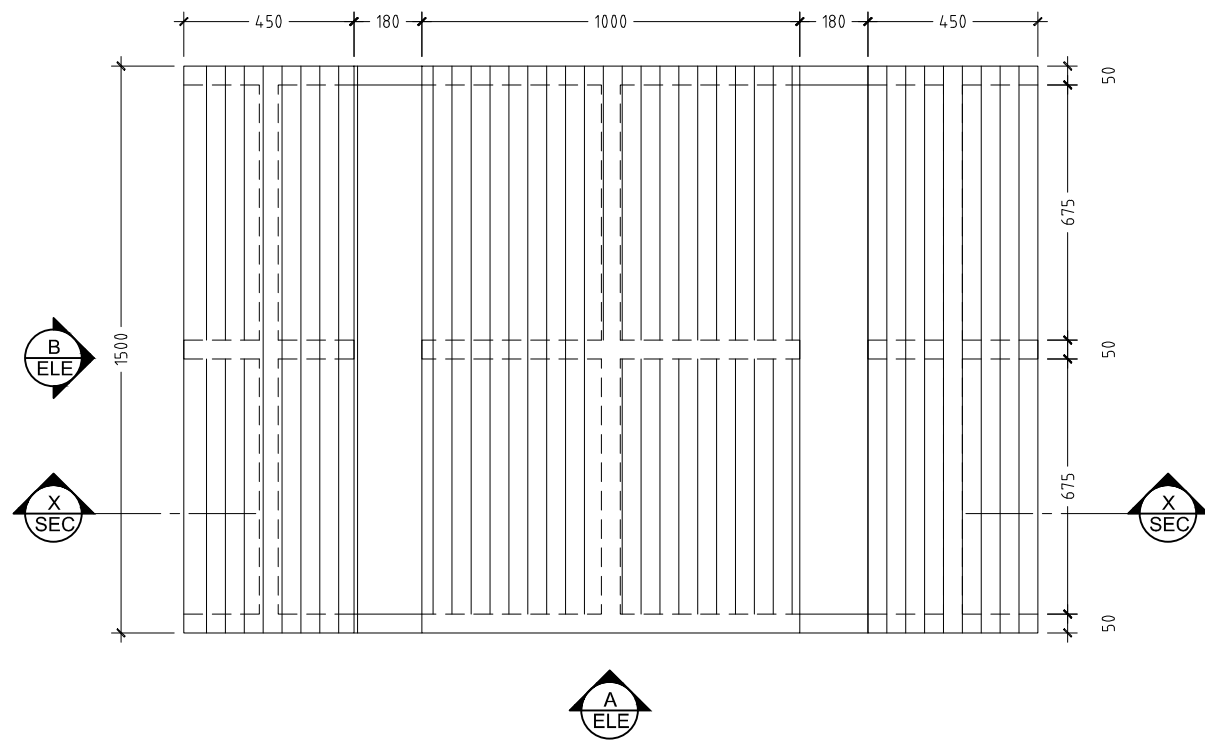
TYPICAL PLANTER BOX - SECTION
SCALE 1:10

PLANTER BOX - DETAIL
SCALE 1:20

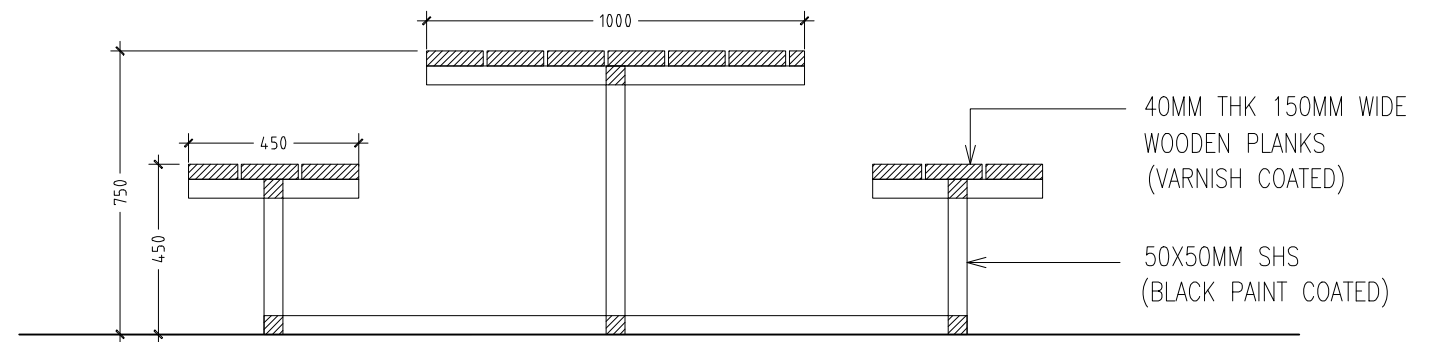
CONTRACTORS MUST CHECK ALL DIMENSIONS ON SITE BEFORE STARTING ANY WORK OR SHOP DRAWINGS, FIGURED DIMENSIONS TO TAKE PRECEDENCE OVER SCALE READINGS



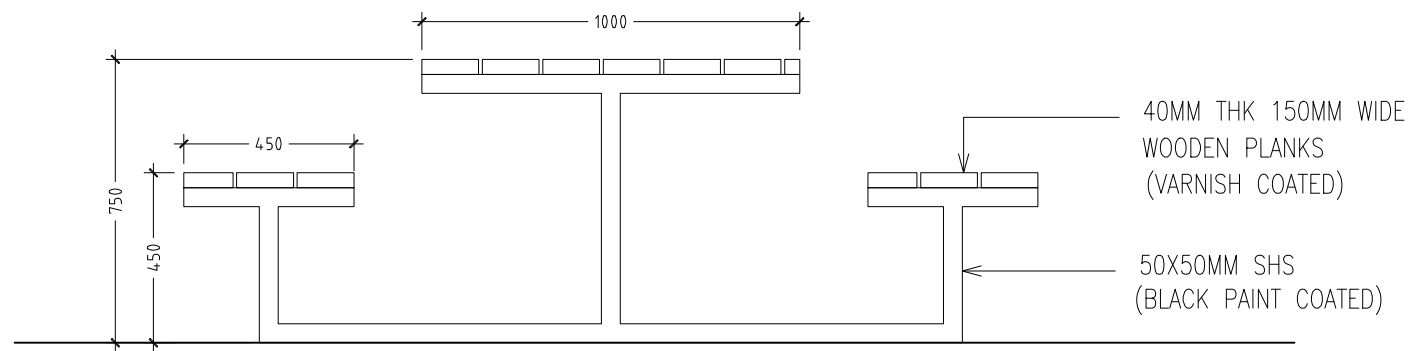
REVISION:	ARCHITECT: MOHAMED HAMEEN	PROJECT: MALDIVES POLYTECHNIC, K.MALE' CAMPUS	A-14
	ENGINEER: MARIYAM SAMAH	LOCATION: K.MALE'	
	ARCHITECTURAL CHECKER: MOHAMED HAMEEN	DRAWING TITLE: AS GIVEN	
	STRUCTURAL CHECKER: MOHAMED AHSAN	CLIENT: MINISTRY OF HIGHER EDUCATION	
	DRAWN BY: DEVADHARSHINI	SCALE: AS GIVEN DIMENSION: MM DATE: JUNE 2023	
CONCEPT AND DESIGN IN THIS DRAWING ARE THE PROPERTIES OF ARCHENG STUDIO PVT LTD. UNAUTHORIZED USE OR REPRODUCTION OF PART OF THE DESIGN, DRAWINGS OR CONCEPT TO USE IN OTHER PROJECTS OR SITES OTHER THAN SPECIFIED ON THIS DRAWING IS PROHIBITED			DWG NO: PROJECT NO: 23-017



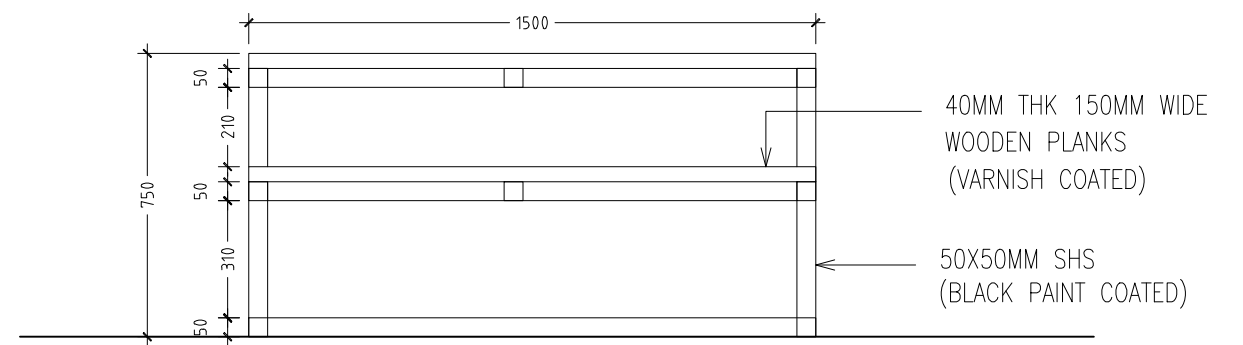
TB1 TABLE & BENCH - PLAN
SCALE 1:20



TB1 SECTION X-X
SCALE 1:20



TB1 ELEVATION - A
SCALE 1:20



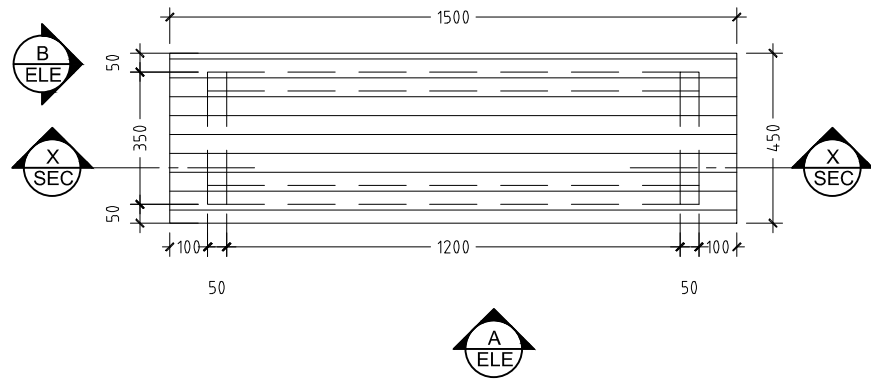
TB1 ELEVATION - B
SCALE 1:20

TABLE & BENCH - DETAIL
SCALE 1:20

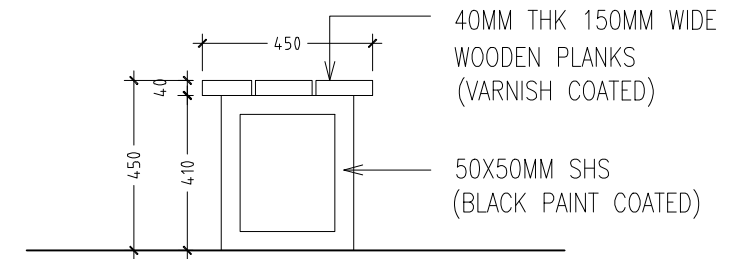
CONTRACTORS MUST CHECK ALL DIMENSIONS ON SITE BEFORE STARTING ANY WORK OR SHOP DRAWINGS, FIGURED DIMENSIONS TO TAKE PRECEDENCE OVER SCALE READINGS



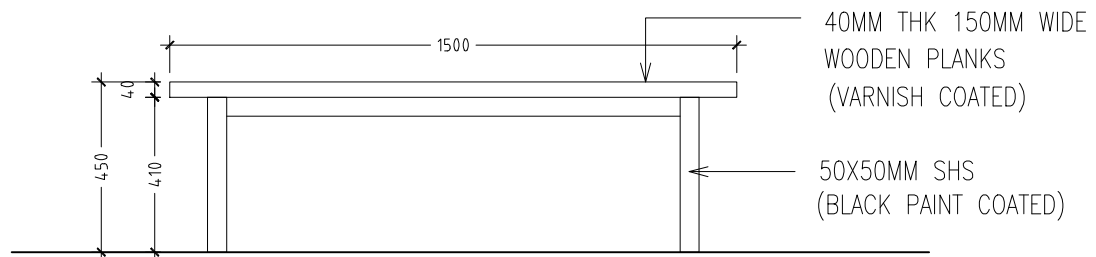
REVISION:	ARCHITECT: MOHAMED HAMEEN	PROJECT: MALDIVES POLYTECHNIC, K.MALE' CAMPUS	A-15
	ENGINEER: MARIYAM SAMAH	LOCATION: K.MALE'	
	ARCHITECTURAL CHECKER: MOHAMED HAMEEN	DRAWING TITLE: AS GIVEN	
	STRUCTURAL CHECKER: MOHAMED AHSAN	CLIENT: MINISTRY OF HIGHER EDUCATION	
	DRAWN BY: DEVADHARSHINI	SCALE: AS GIVEN DIMENSION: MM DATE: JUNE 2023	
CONCEPT AND DESIGN IN THIS DRAWING ARE THE PROPERTIES OF ARCHENG STUDIO PVT LTD. UNAUTHORIZED USE OR REPRODUCTION OF PART OF THE DESIGN, DRAWINGS OR CONCEPT TO USE IN OTHER PROJECTS OR SITES OTHER THAN SPECIFIED ON THIS DRAWING IS PROHIBITED			DWG NO: PROJECT NO: 23-017



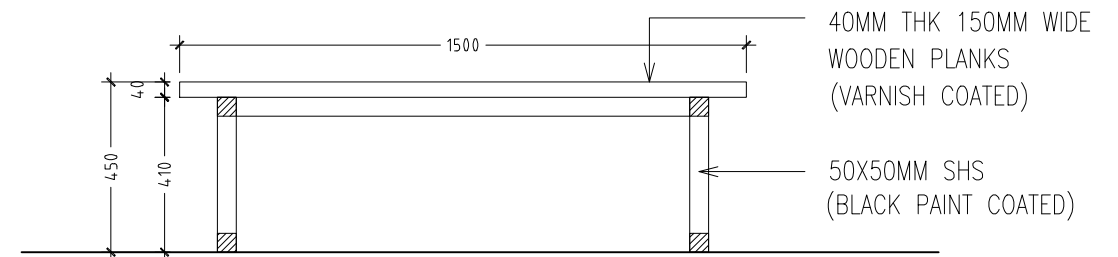
B1 BENCH - PLAN
SCALE 1:20



B1 ELEVATION - B
SCALE 1:20



B1 ELEVATION - A
SCALE 1:20



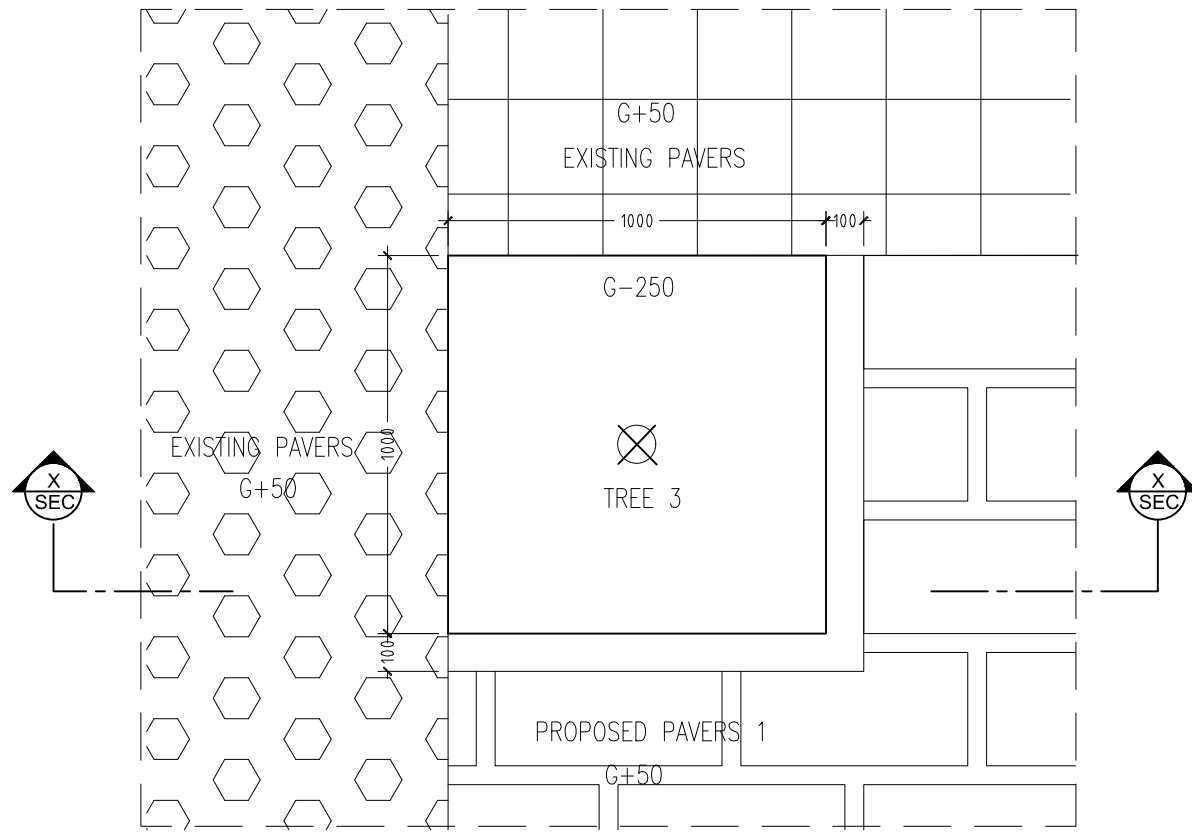
B1 SECTION X-X
SCALE 1:20

TABLE & BENCH - DETAIL
SCALE 1:20

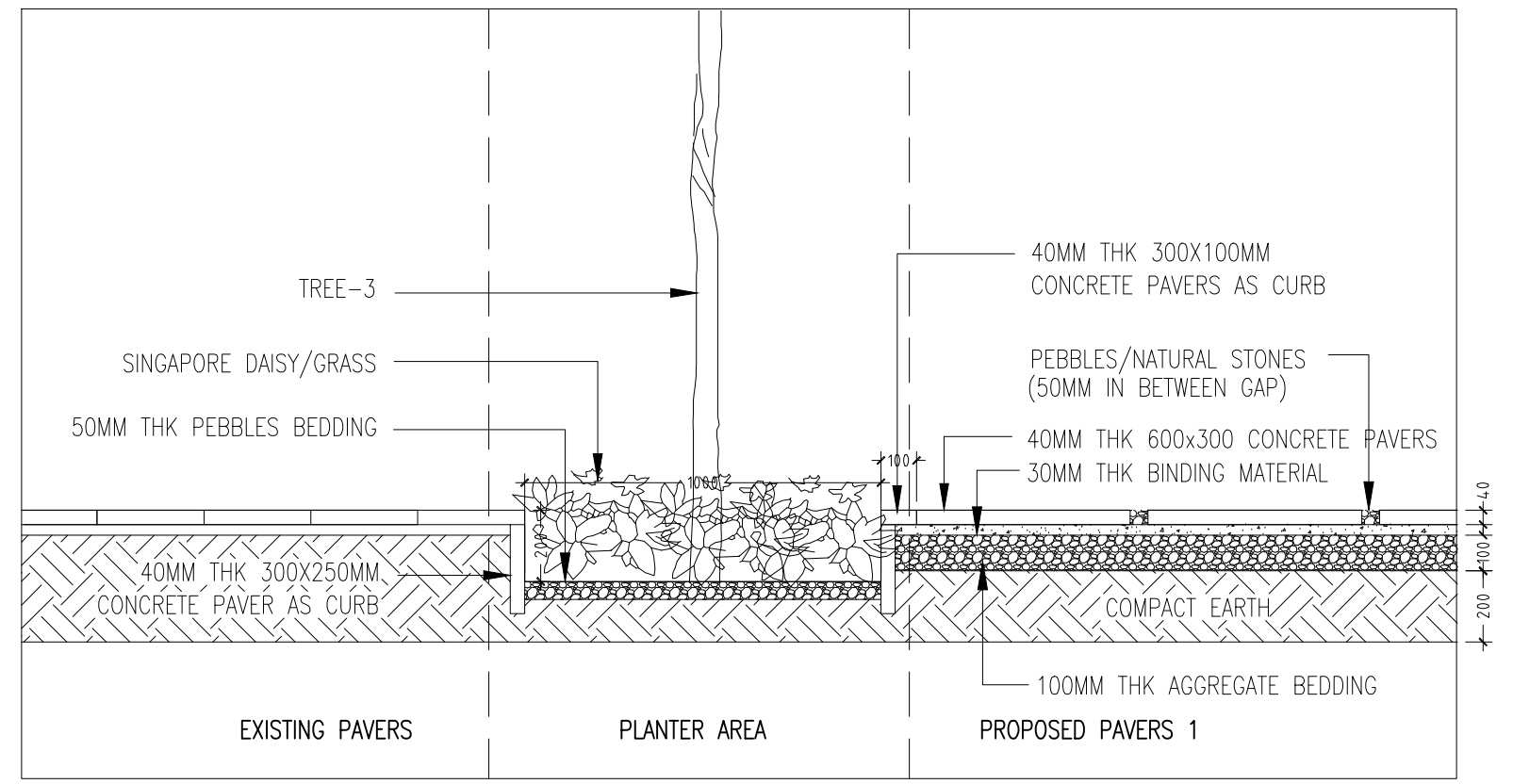
CONTRACTORS MUST CHECK ALL DIMENSIONS ON SITE BEFORE STARTING ANY WORK OR SHOP DRAWINGS, FIGURED DIMENSIONS TO TAKE PRECEDENCE OVER SCALE READINGS



REVISION:	ARCHITECT: MOHAMED HAMEEN	PROJECT: MALDIVES POLYTECHNIC, K.MALE' CAMPUS	A-16
	ENGINEER: MARIYAM SAMAH	LOCATION: K.MALE'	
	ARCHITECTURAL CHECKER: MOHAMED HAMEEN	DRAWING TITLE: AS GIVEN	
	STRUCTURAL CHECKER: MOHAMED AHSAN	CLIENT: MINISTRY OF HIGHER EDUCATION	
	DRAWN BY: DEVADHARSHINI	SCALE: AS GIVEN DIMENSION: MM DATE: JUNE 2023	
CONCEPT AND DESIGN IN THIS DRAWING ARE THE PROPERTIES OF ARCHENG STUDIO PVT LTD. UNAUTHORIZED USE OR REPRODUCTION OF PART OF THE DESIGN, DRAWINGS OR CONCEPT TO USE IN OTHER PROJECTS OR SITES OTHER THAN SPECIFIED ON THIS DRAWING IS PROHIBITED			DWG NO: PROJECT NO: 23-017



PLAN - PLANTER AREA
SCALE 1:20



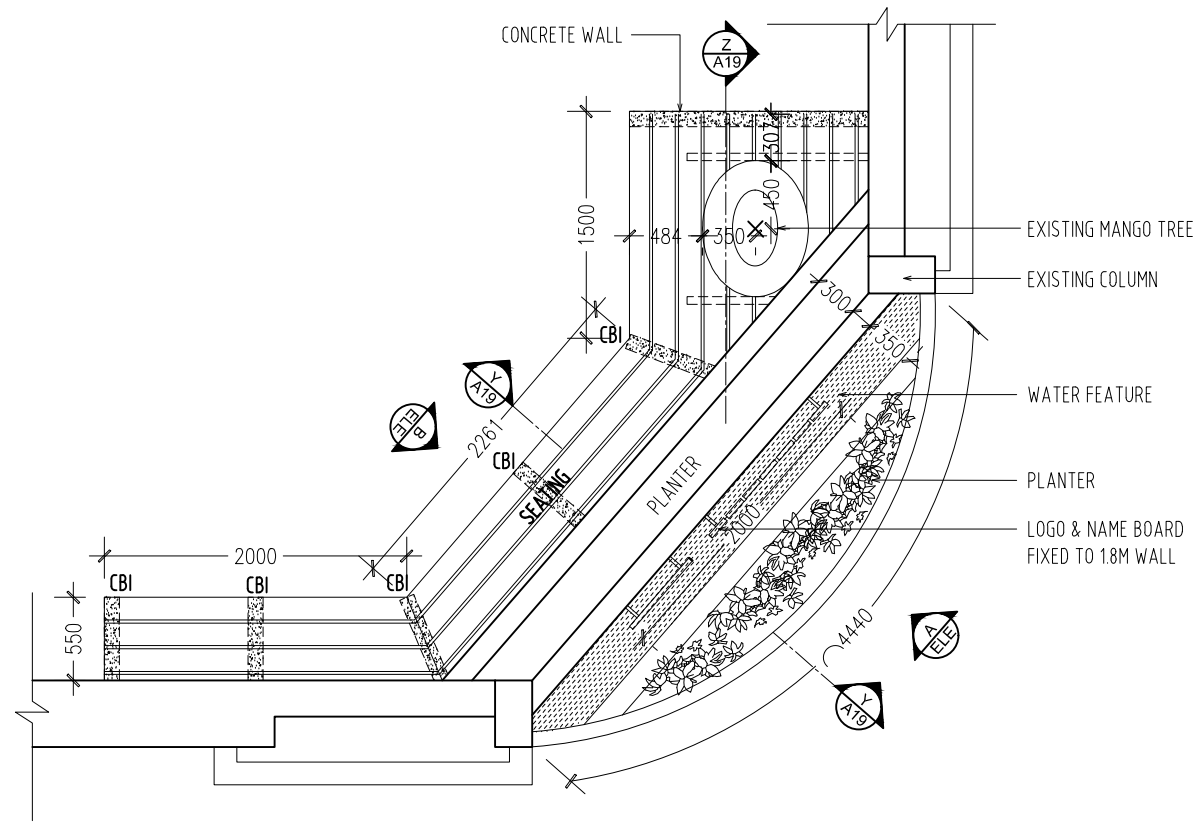
SECTION X-X PLANTER AREA
SCALE 1:20

DETAIL - 1 - PLANTER AREA
SCALE 1:20

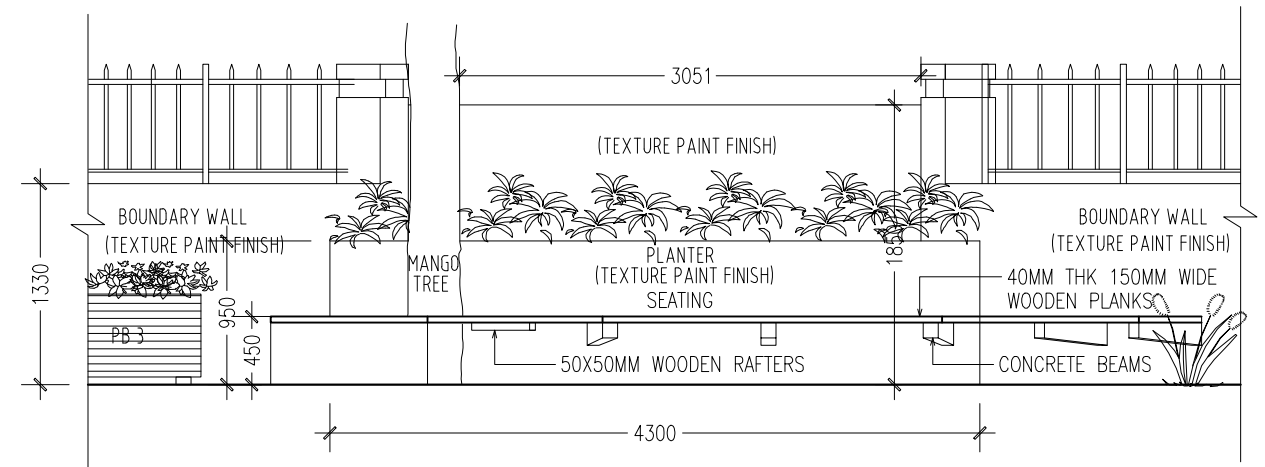
CONTRACTORS MUST CHECK ALL DIMENSIONS ON SITE BEFORE STARTING ANY WORK OR SHOP DRAWINGS, FIGURED DIMENSIONS TO TAKE PRECEDENCE OVER SCALE READINGS



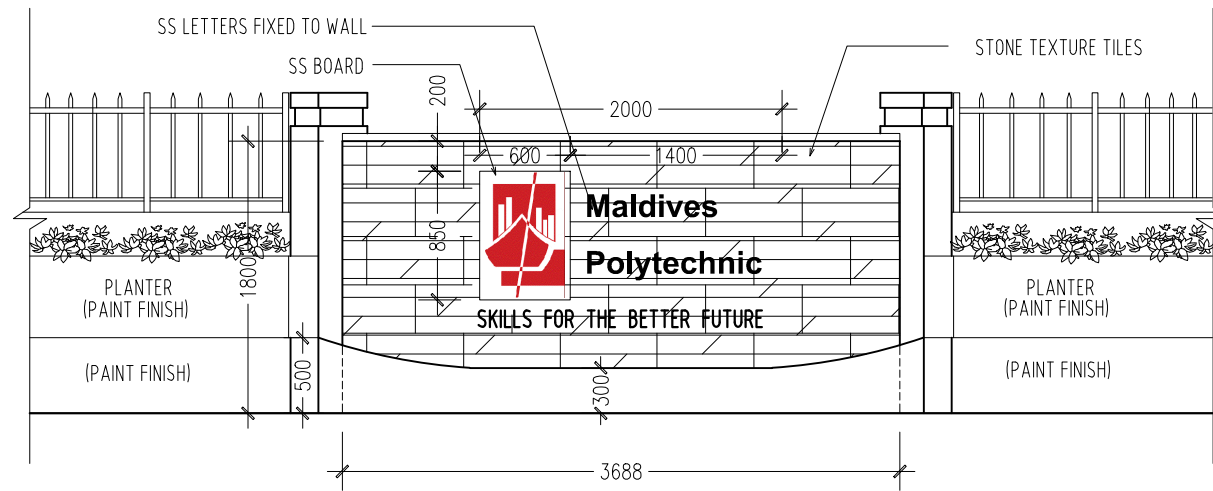
REVISION:	ARCHITECT: MOHAMED HAMEEN	PROJECT: MALDIVES POLYTECHNIC, K.MALE' CAMPUS	A-17
	ENGINEER: MARIYAM SAMAH	LOCATION: K.MALE'	
	ARCHITECTURAL CHECKER: MOHAMED HAMEEN	DRAWING TITLE: AS GIVEN	
	STRUCTURAL CHECKER: MOHAMED AHSAN	CLIENT: MINISTRY OF HIGHER EDUCATION	
	DRAWN BY: DEVADHARSHINI	SCALE: AS GIVEN DIMENSION: MM DATE: JUNE 2023	
CONCEPT AND DESIGN IN THIS DRAWING ARE THE PROPERTIES OF ARCHENG STUDIO PVT LTD. UNAUTHORIZED USE OR REPRODUCTION OF PART OF THE DESIGN, DRAWINGS OR CONCEPT TO USE IN OTHER PROJECTS OR SITES OTHER THAN SPECIFIED ON THIS DRAWING IS PROHIBITED			DWG NO: PROJECT NO: 23-017



DETAIL - 2 - PLAN
SCALE 1:50



DETAIL - 2 - ELEVATION B
SCALE 1:50



DETAIL - 2 - ELEVATION A
SCALE 1:50

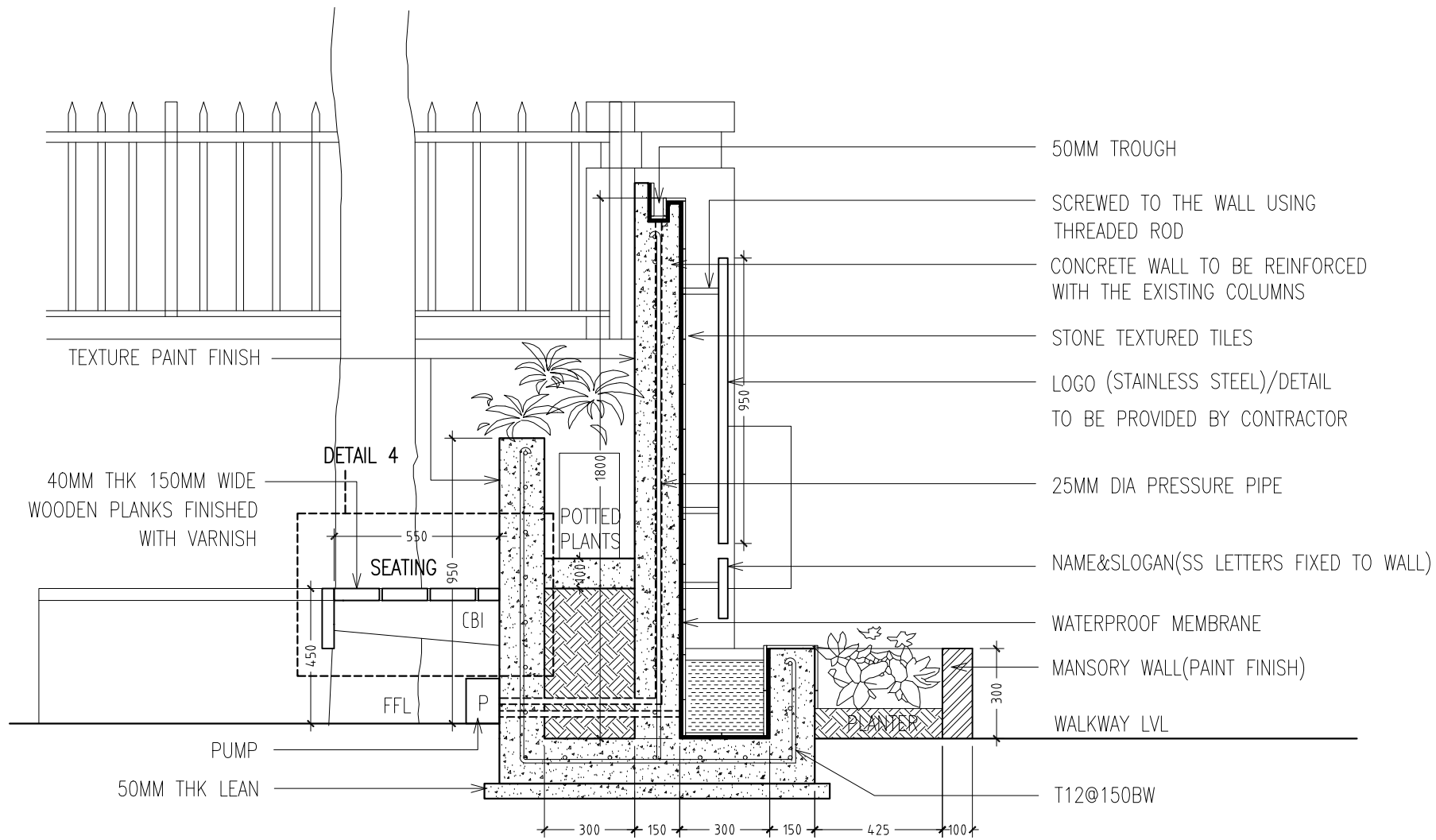
- NOTE:
- AREA OF WHOLE BOUNDARY WALL FOR PAINTING HAS TO BE MEASURED BY CONTRACTOR AT THE SITE.
 - WHOLE EXTERIOR & INTERIOR OF BOUNDARY WALL HAS TO BE REPAINTED WITH EXISTING COLOR CODE EXCEPT THE INTERIOR AREA OF BOUNDARY WALL AROUND PROPOSED LANDSCAPE.
 - THE INTERIOR OF BOUNDARY WALL AT PROPOSED LANDSCAPE AREA HAS TO BE TEXTURE PAINTED.

DETAIL -2-LOGO AREA & WATER FEATURE& SEATING
SCALE 1:50

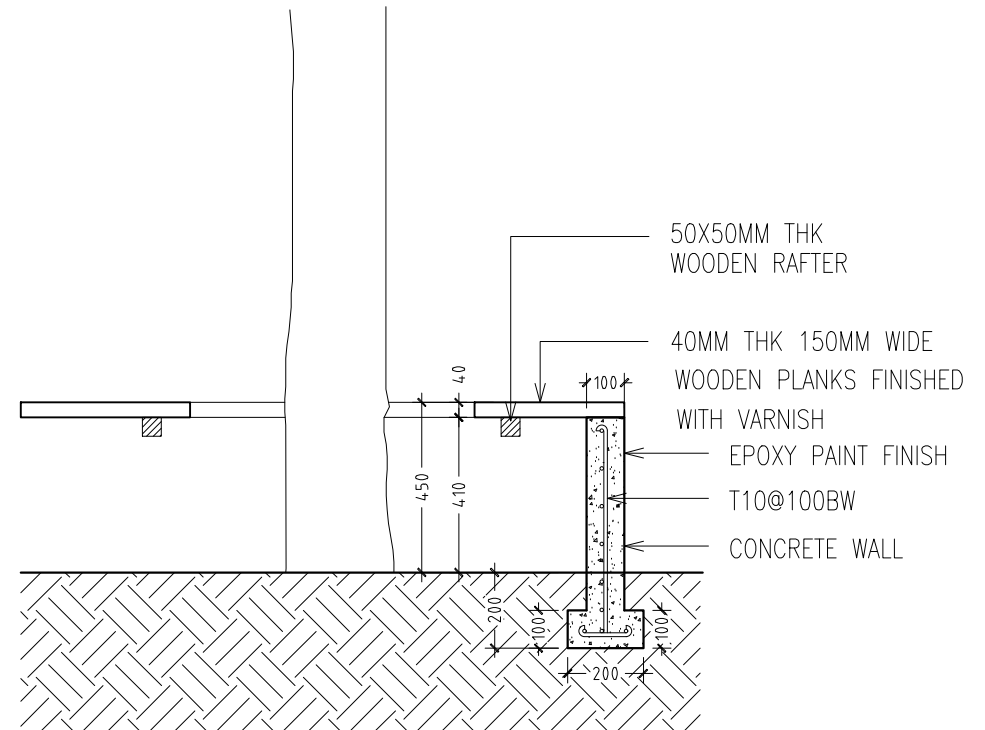
CONTRACTORS MUST CHECK ALL DIMENSIONS ON SITE BEFORE STARTING ANY WORK OR SHOP DRAWINGS, FIGURED DIMENSIONS TO TAKE PRECEDENCE OVER SCALE READINGS



REVISION:	ARCHITECT: MOHAMED HAMEEN	PROJECT: MALDIVES POLYTECHNIC, K.MALE' CAMPUS	A-18
	ENGINEER: MARIYAM SAMAH	LOCATION: K.MALE'	
	ARCHITECTURAL CHECKER: MOHAMED HAMEEN	DRAWING TITLE: AS GIVEN	
	STRUCTURAL CHECKER: MOHAMED AHSAN	CLIENT: MINISTRY OF HIGHER EDUCATION	
	DRAWN BY: DEVADHARSHINI	SCALE: AS GIVEN DIMENSION: MM DATE: JUNE 2023	
CONCEPT AND DESIGN IN THIS DRAWING ARE THE PROPERTIES OF ARCHENG STUDIO PVT LTD. UNAUTHORIZED USE OR REPRODUCTION OF PART OF THE DESIGN, DRAWINGS OR CONCEPT TO USE IN OTHER PROJECTS OR SITES OTHER THAN SPECIFIED ON THIS DRAWING IS PROHIBITED			DWG NO: PROJECT NO: 23-017



DETAIL -2 -SECTION Y Y
SCALE 1:20



DETAIL -2 -SECTION Z Z
SCALE 1:20

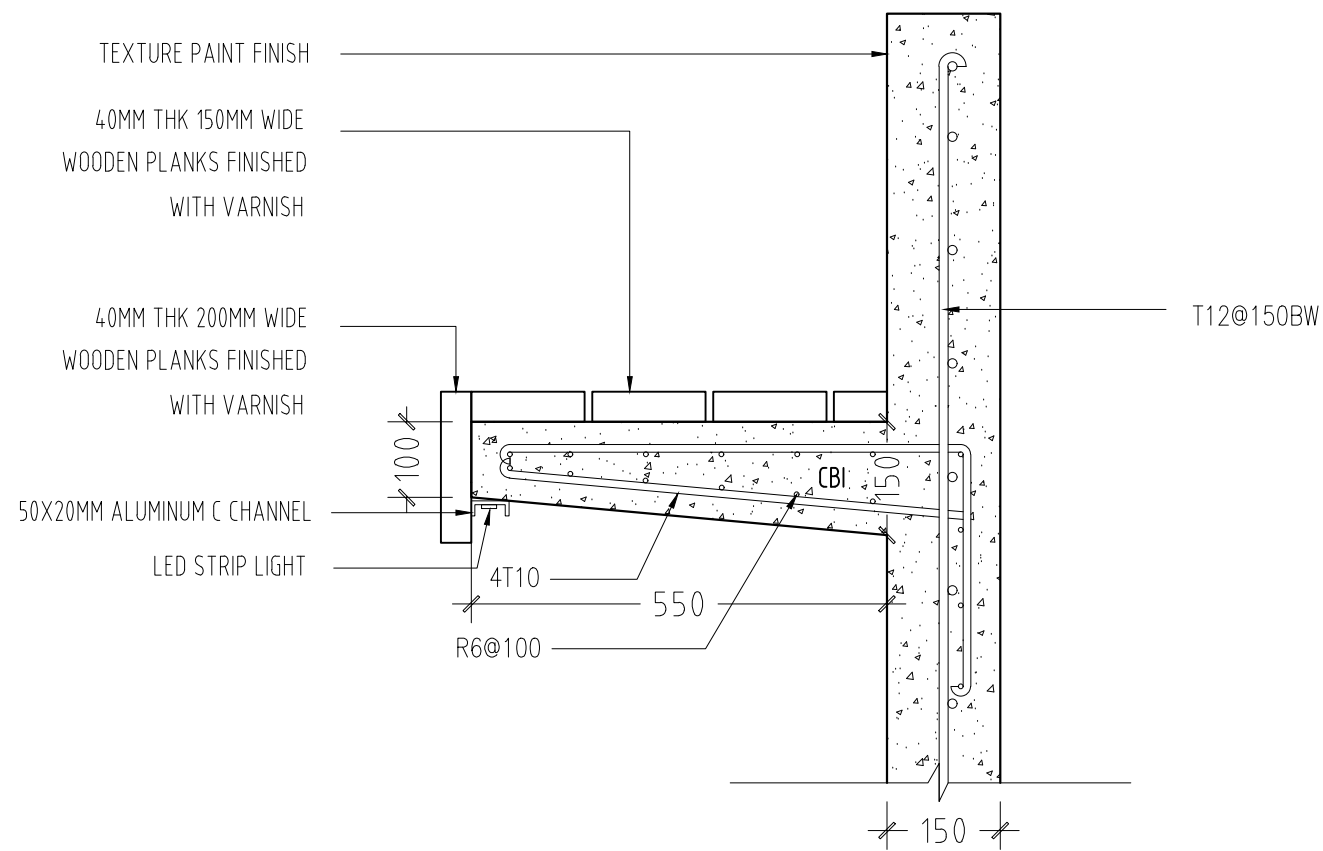
DETAIL -2 DETAIL OF LOGO BOARD & WATER FEATURE & SEATING
SCALE 1:20

CONTRACTORS MUST CHECK ALL DIMENSIONS ON SITE BEFORE STARTING ANY WORK OR SHOP DRAWINGS, FIGURED DIMENSIONS TO TAKE PRECEDENCE OVER SCALE READINGS

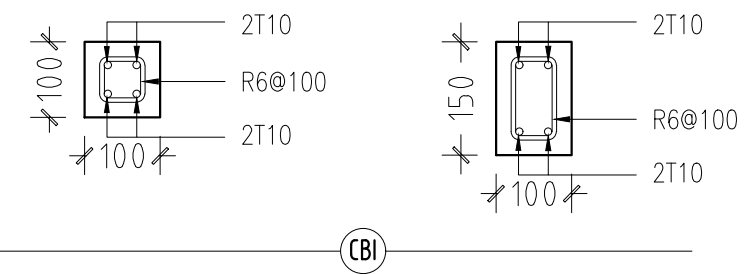
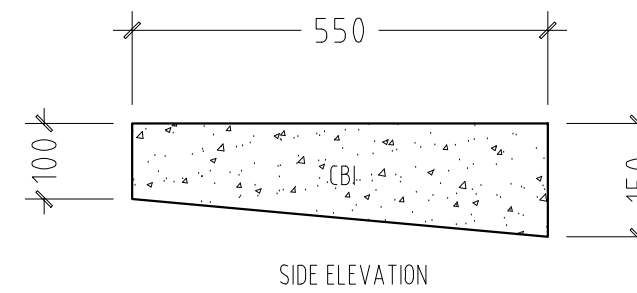


REVISION:	ARCHITECT: MOHAMED HAMEEN	PROJECT: MALDIVES POLYTECHNIC, K.MALE' CAMPUS
	ENGINEER: MARIYAM SAMAH	LOCATION: K.MALE'
	ARCHITECTURAL CHECKER: MOHAMED HAMEEN	DRAWING TITLE: AS GIVEN
	STRUCTURAL CHECKER: MOHAMED AHSAN	CLIENT: MINISTRY OF HIGHER EDUCATION
	DRAWN BY: DEVADHARSHINI	SCALE: AS GIVEN DIMENSION: MM DATE: JUNE 2023
		DWG NO: A-19
		PROJECT NO: 23-017

CONCEPT AND DESIGN IN THIS DRAWING ARE THE PROPERTIES OF ARCHENG STUDIO PVT LTD. UNAUTHORIZED USE OR REPRODUCTION OF PART OF THE DESIGN, DRAWINGS OR CONCEPT TO USE IN OTHER PROJECTS OR SITES OTHER THAN SPECIFIED ON THIS DRAWING IS PROHIBITED



DETAIL 4 - CANTILEVER BEAM 1
SCALE 1:10



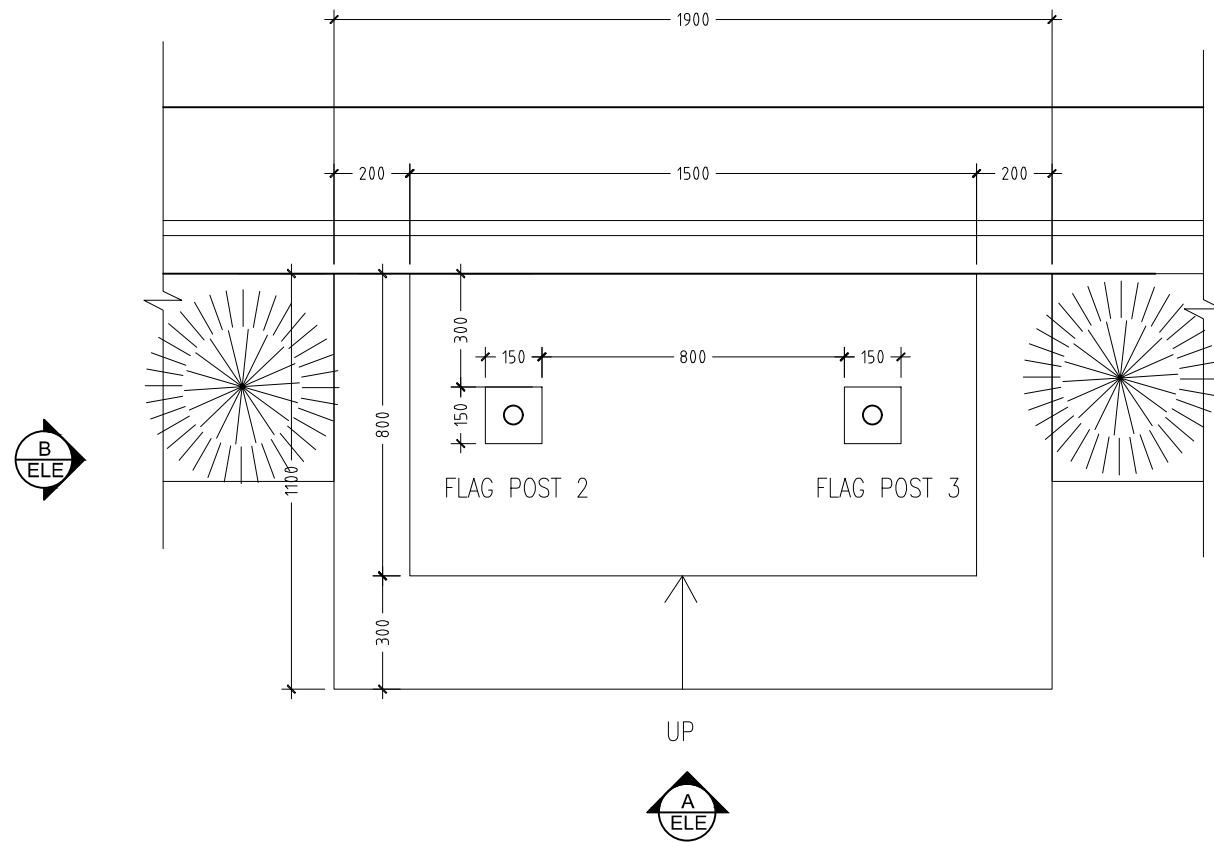
CB1- CANTILEVER BEAM 1
SCALE 1:10

CONTRACTORS MUST CHECK ALL DIMENSIONS ON SITE BEFORE STARTING ANY WORK OR SHOP DRAWINGS, FIGURED DIMENSIONS TO TAKE PRECEDENCE OVER SCALE READINGS

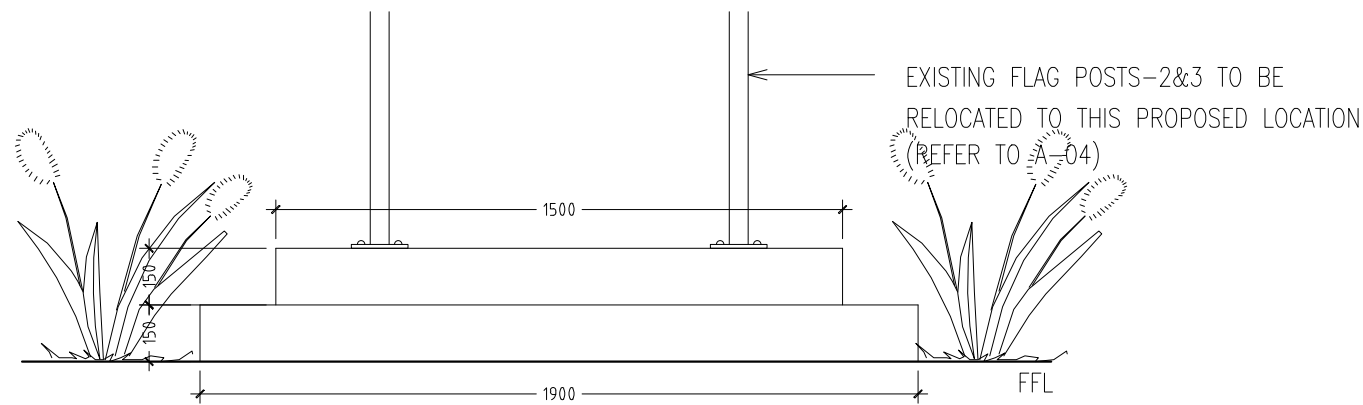


REVISION:	ARCHITECT: MOHAMED HAMEEN	PROJECT: MALDIVES POLYTECHNIC, K.MALE' CAMPUS	A-20
	ENGINEER: MARIYAM SAMAH	LOCATION: K.MALE'	
	ARCHITECTURAL CHECKER: MOHAMED HAMEEN	DRAWING TITLE: AS GIVEN	
	STRUCTURAL CHECKER: MOHAMED AHSAN	CLIENT: MINISTRY OF HIGHER EDUCATION	
	DRAWN BY: DEVADHARSHINI	SCALE: AS GIVEN DIMENSION: MM DATE: JUNE 2023	
			DWG NO
			PROJECT NO: 23-017

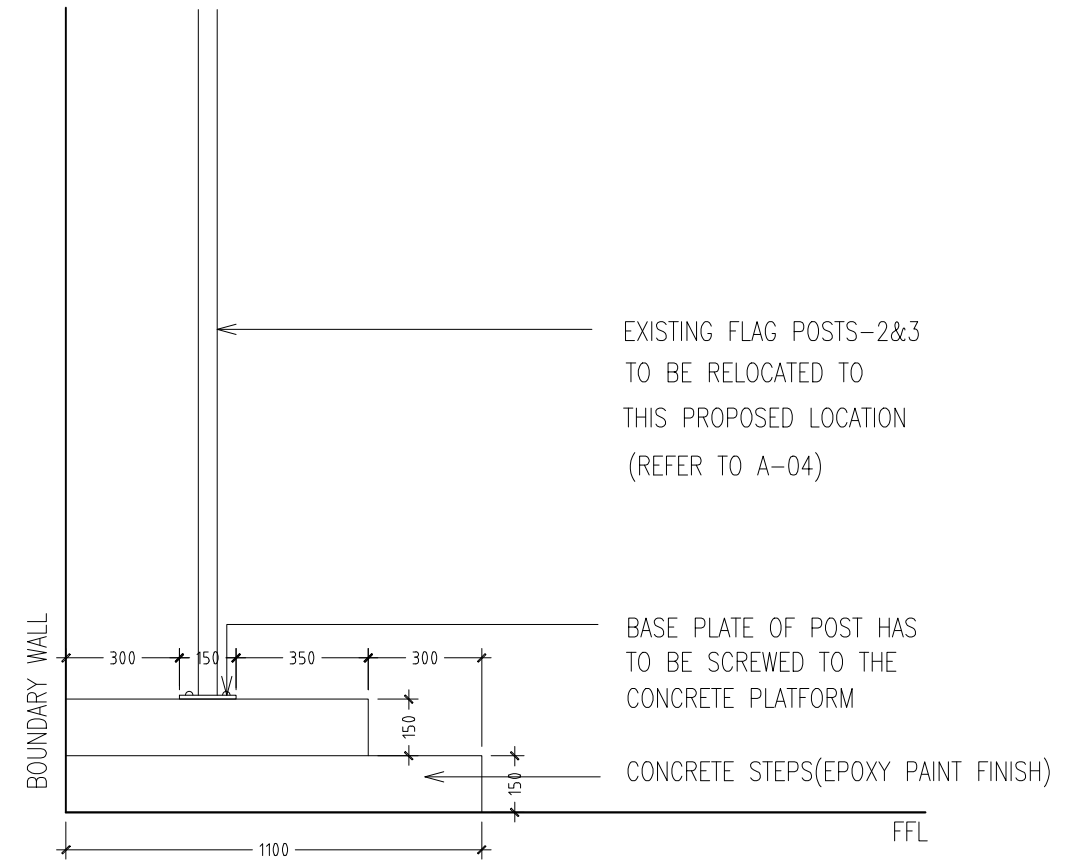
CONCEPT AND DESIGN IN THIS DRAWING ARE THE PROPERTIES OF ARCHENG STUDIO PVT LTD. UNAUTHORIZED USE OR REPRODUCTION OF PART OF THE DESIGN, DRAWINGS OR CONCEPT TO USE IN OTHER PROJECTS OR SITES OTHER THAN SPECIFIED ON THIS DRAWING IS PROHIBITED



FLAG POST - PLAN
SCALE 1:20



FLAG POST - ELEVATION A
SCALE 1:20



FLAG POST - ELEVATION B
SCALE 1:20

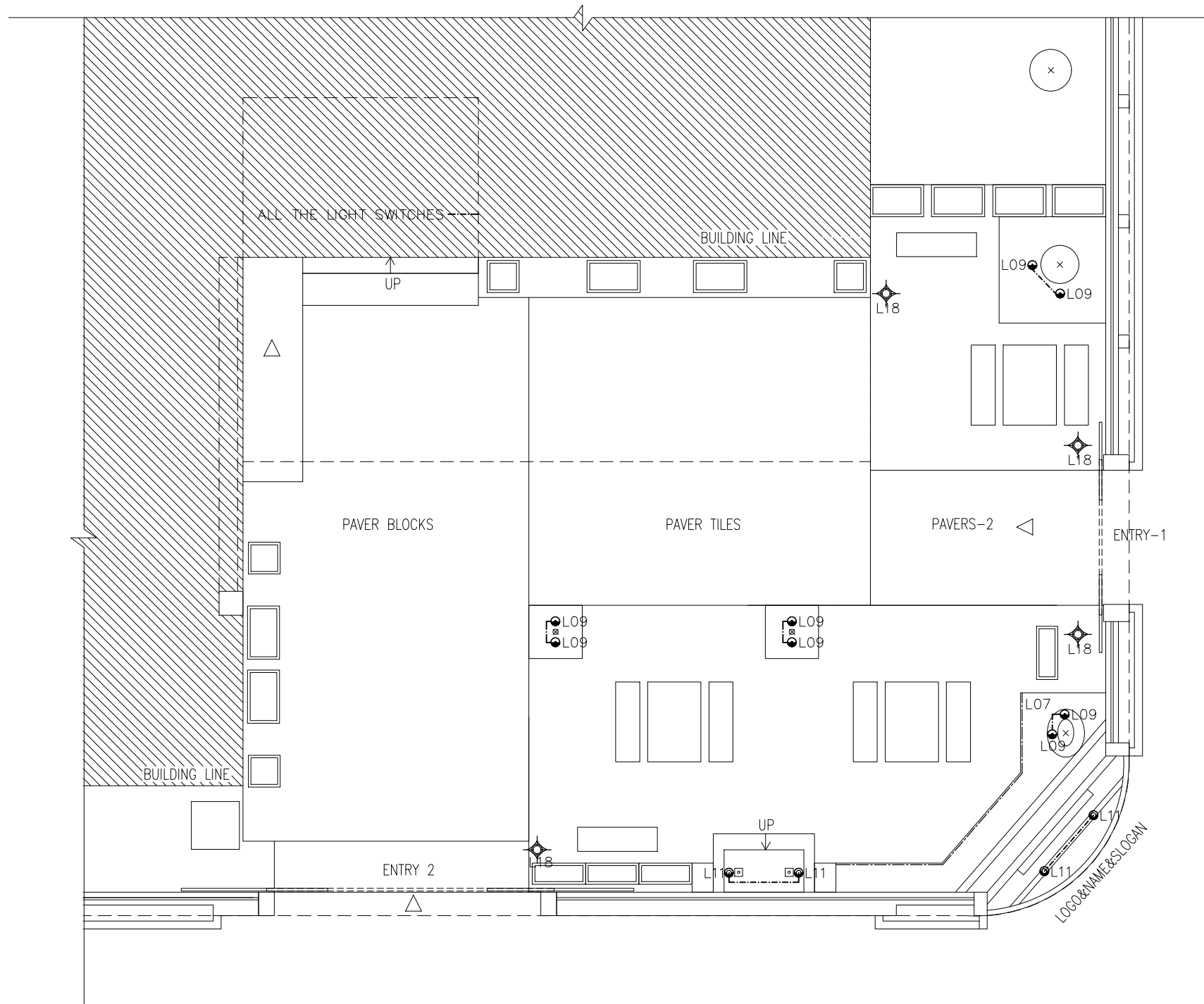
DETAIL - 3 - FLAG POST
SCALE 1:20

CONTRACTORS MUST CHECK ALL DIMENSIONS ON SITE BEFORE STARTING ANY WORK OR SHOP DRAWINGS, FIGURED DIMENSIONS TO TAKE PRECEDENCE OVER SCALE READINGS



REVISION:	ARCHITECT: MOHAMED HAMEEN	PROJECT: MALDIVES POLYTECHNIC, K.MALE' CAMPUS	A-21
	ENGINEER: MARIYAM SAMAH	LOCATION: K.MALE'	
	ARCHITECTURAL CHECKER: MOHAMED HAMEEN	DRAWING TITLE: AS GIVEN	
	STRUCTURAL CHECKER: MOHAMED AHSAN	CLIENT: MINISTRY OF HIGHER EDUCATION	
	DRAWN BY: DEVADHARSHINI	SCALE: AS GIVEN DIMENSION: MM DATE: JUNE 2023	
			DWG NO: PROJECT NO: 23-017

CONCEPT AND DESIGN IN THIS DRAWING ARE THE PROPERTIES OF ARCHENG STUDIO PVT LTD. UNAUTHORIZED USE OR REPRODUCTION OF PART OF THE DESIGN, DRAWINGS OR CONCEPT TO USE IN OTHER PROJECTS OR SITES OTHER THAN SPECIFIED ON THIS DRAWING IS PROHIBITED



LIGHTING LEGEND

SYMBOL	CODE	DESCRIPTION
	L09	12W WARM TREE ACCENT LIGHT WATER PROOF
	L11	27W WARM LED FLOOD LIGHT WATER PROOF
	L15	1X16W ENERGY SAVING WALL MOUNT WARM COMPACT FLUORESCENT LAMPS DECORATIVE LUMINAIRE
	L17	1X16W ENERGY SAVING DAYLIGHT COMPACT FLUORESCENT LAMPS IN SURFACE MOUNT WEATHER PROOF LUMINAIRE
	L18	1X16W ENERGY SAVING WARM COMPACT FLUORESCENT DECORATIVE LAMP POST
	L07	14W WARM LED LINEAR STRIP LIGHT WITH CONTROLLER WATER PROOF

SWITCHS LEGEND

SYMBOL	CODE	DESCRIPTION
	P19	1GANG 1 WAY SWITCH
	P20	2GANG 1 WAY SWITCH
	P21	3 GANG 1 WAY SWITCH
	P22	4 GANG 1 WAY SWITCH
	P23	FAN / LIGHT DIMMER SWITCH
	P33	DISTRIBUTION BOARD
	P34	PANEL BOARD

*W. SOCKET/SWITCH INSTALLED INSIDE WEATHER PROOF COVER.

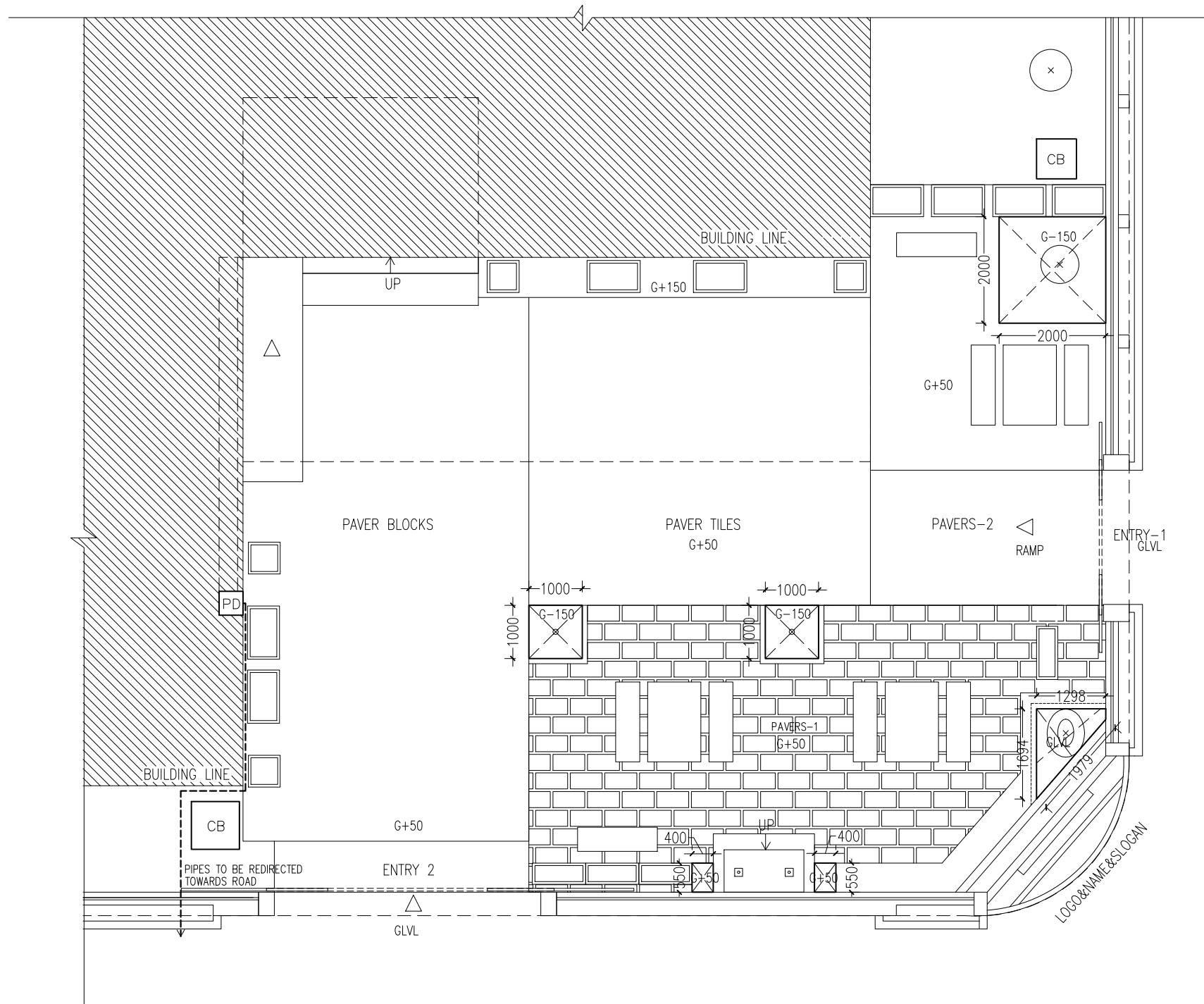
**PROPOSED LANDSCAPE AREA
- LIGHTING PLAN**
SCALE 1:100

CONTRACTORS MUST CHECK ALL DIMENSIONS ON SITE BEFORE STARTING ANY WORK OR SHOP DRAWINGS, FIGURED DIMENSIONS TO TAKE PRECEDENCE OVER SCALE READINGS



REVISION:	ARCHITECT: MOHAMED HAMEEN	PROJECT: MALDIVES POLYTECHNIC, K.MALE' CAMPUS
	ENGINEER: MARIYAM SAMAH	LOCATION: K.MALE'
	ARCHITECTURAL CHECKER: MOHAMED HAMEEN	DRAWING TITLE: AS GIVEN
	STRUCTURAL CHECKER: MOHAMED AHSAN	CLIENT: MINISTRY OF HIGHER EDUCATION
	DRAWN BY: DEVADHARSHINI	SCALE: AS GIVEN DIMENSION: MM DATE: JUNE 2023
		E-01
		DWG NO
		PROJECT NO: 23-017

CONCEPT AND DESIGN IN THIS DRAWING ARE THE PROPERTIES OF ARCHENG STUDIO PVT LTD. UNAUTHORIZED USE OR REPRODUCTION OF PART OF THE DESIGN, DRAWINGS OR CONCEPT TO USE IN OTHER PROJECTS OR SITES OTHER THAN SPECIFIED ON THIS DRAWING IS PROHIBITED



LEGEND

SYMBOL	DESCRIPTION
PD	PLUMBING DUCT
CB	CHAMBER
⊠	FLOOR DRAIN
---	75MM RAINWATER PIPE
⊠	PLANTER AREA

NOTE: PAVERS 1 HAS 50MM GAP FOR RAIN WATER DRAINING

**PROPOSED LANDSCAPE AREA
- RAINWATER DISPOSAL PLAN**

SCALE 1:100

CONTRACTORS MUST CHECK ALL DIMENSIONS ON SITE BEFORE STARTING ANY WORK OR SHOP DRAWINGS, FIGURED DIMENSIONS TO TAKE PRECEDENCE OVER SCALE READINGS



REVISION:	ARCHITECT: MOHAMED HAMEEN	PROJECT: MALDIVES POLYTECHNIC, K.MALE' CAMPUS
	ENGINEER: MARIYAM SAMAH	LOCATION: K.MALE'
	ARCHITECTURAL CHECKER: MOHAMED HAMEEN	DRAWING TITLE: AS GIVEN
	STRUCTURAL CHECKER: MOHAMED AHSAN	CLIENT: MINISTRY OF HIGHER EDUCATION
	DRAWN BY: DEVADHARSHINI	SCALE: AS GIVEN
		DIMENSION: MM
		DATE: JUNE 2023
		PROJECT NO: 23-017

P-01

DWG NO

CONCEPT AND DESIGN IN THIS DRAWING ARE THE PROPERTIES OF ARCHENG STUDIO PVT LTD. UNAUTHORIZED USE OR REPRODUCTION OF PART OF THE DESIGN, DRAWINGS OR CONCEPT TO USE IN OTHER PROJECTS OR SITES OTHER THAN SPECIFIED ON THIS DRAWING IS PROHIBITED