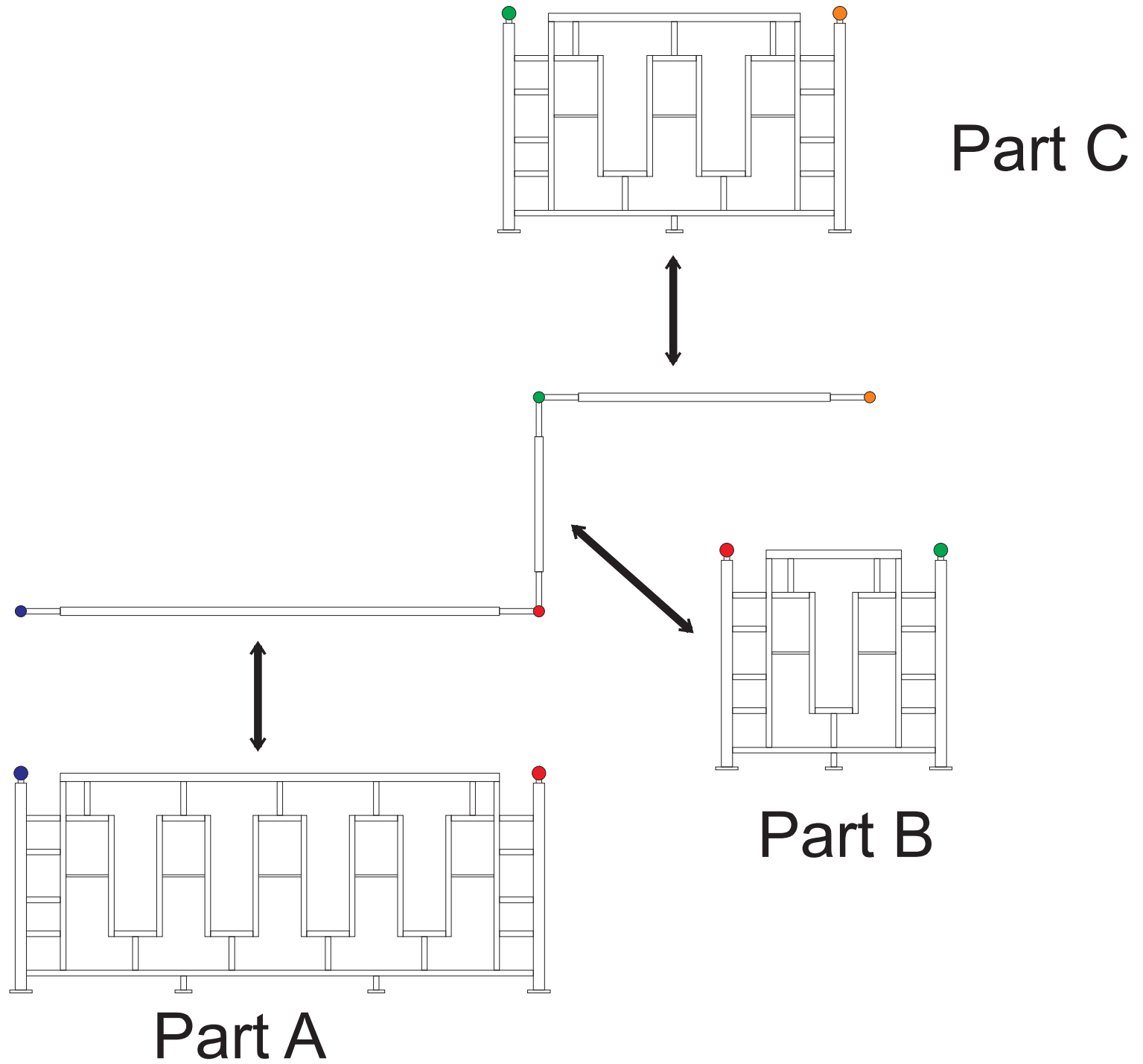
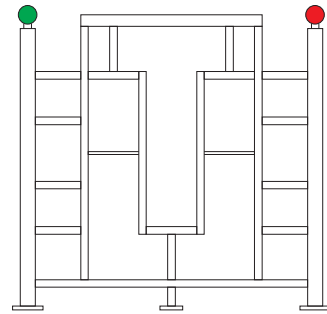
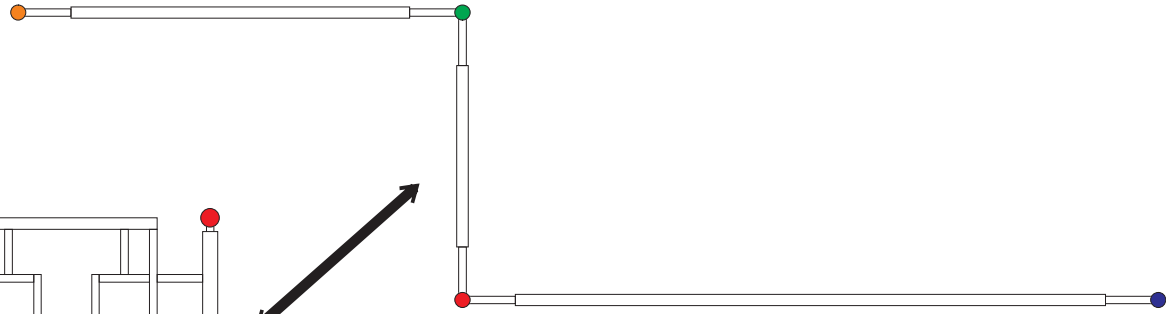
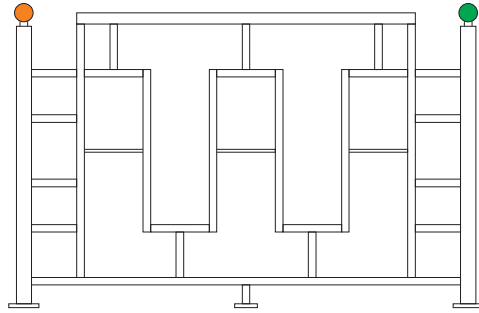


Design 1

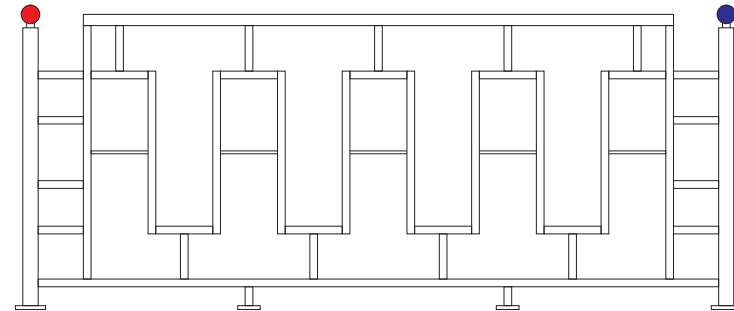


Design 2

Part F

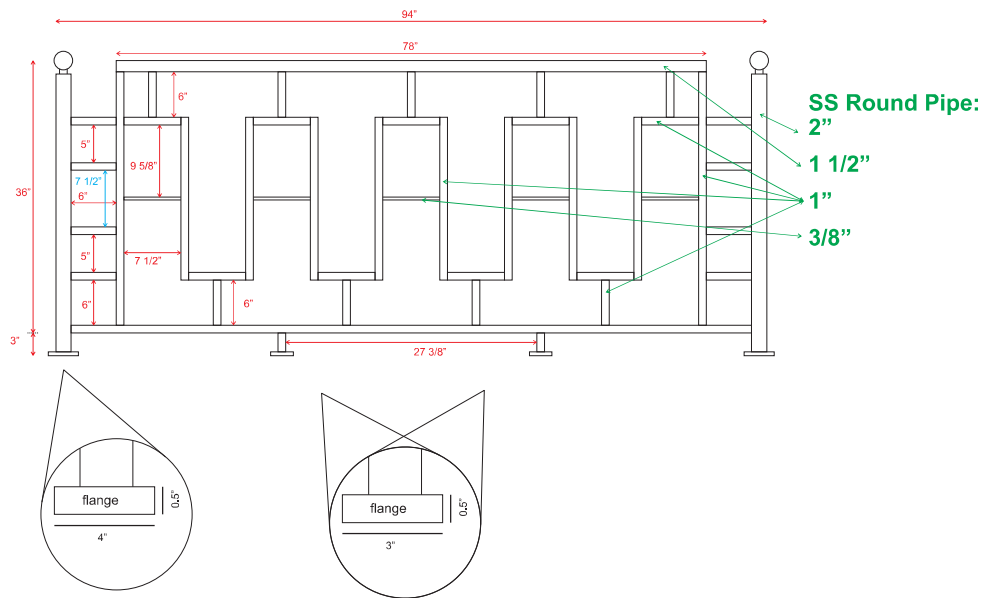


Part E

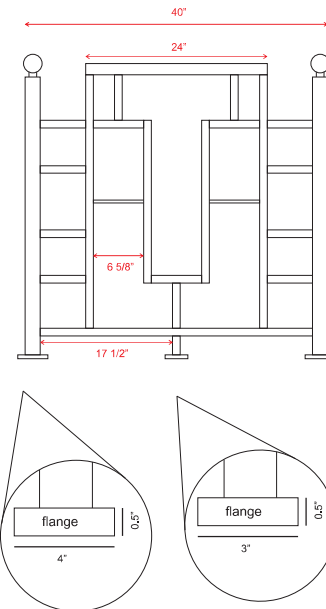


Part D

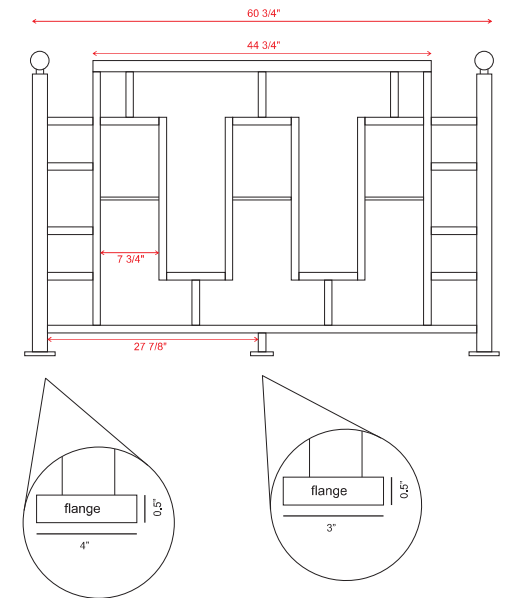
Design 1/2 - Dimentions



Part A/D



Part B/E



Part C/F