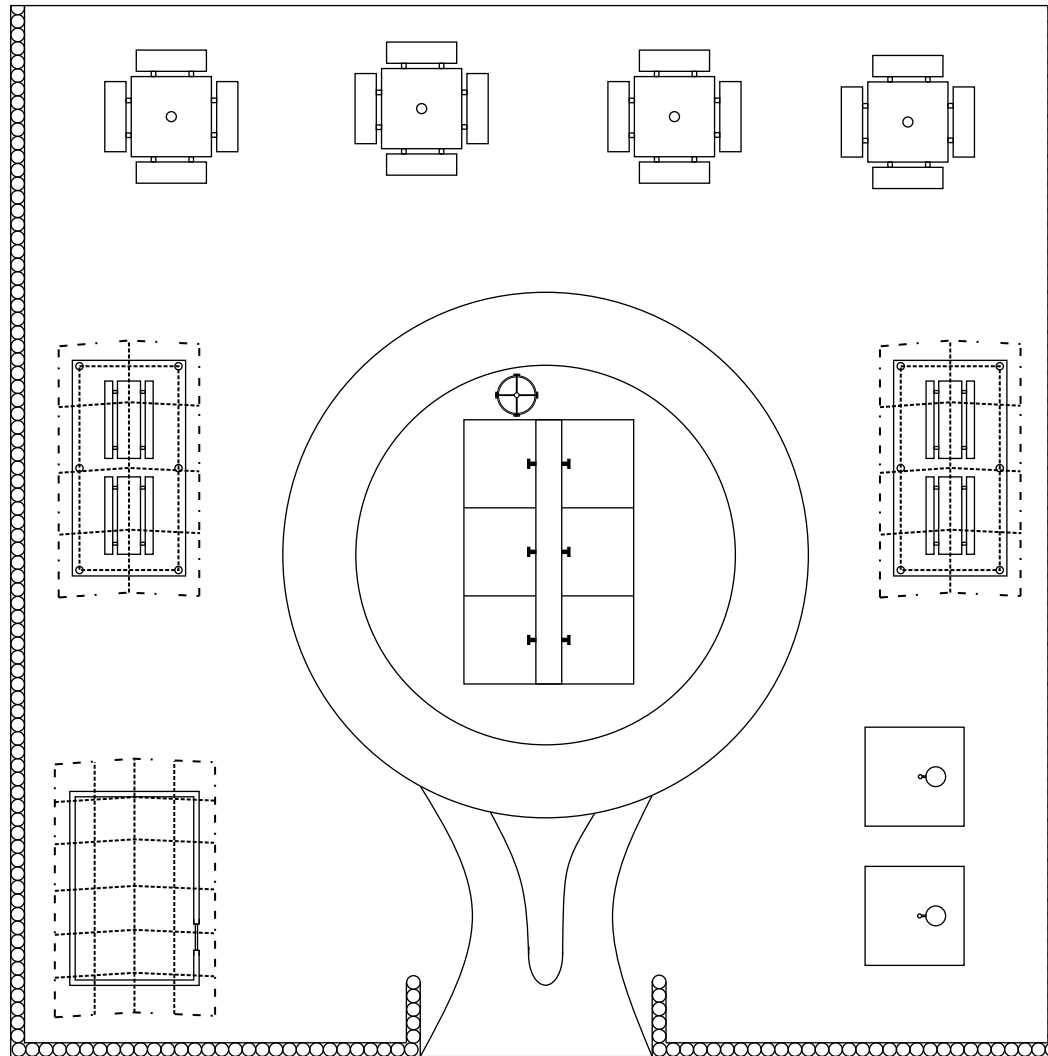
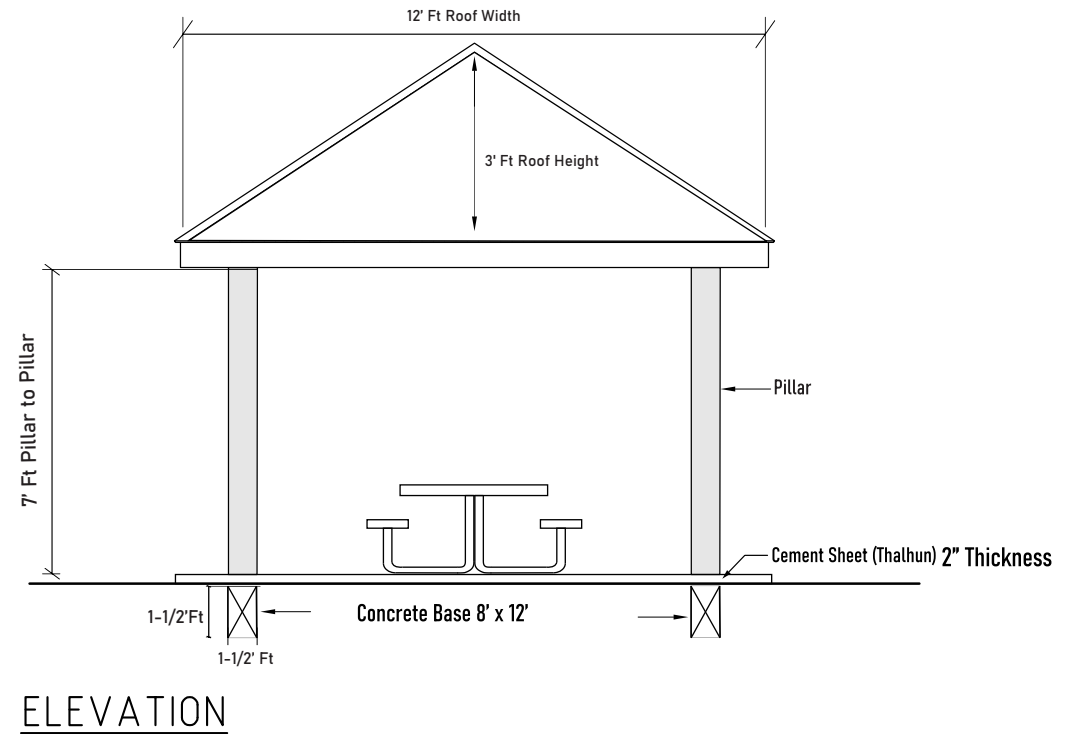
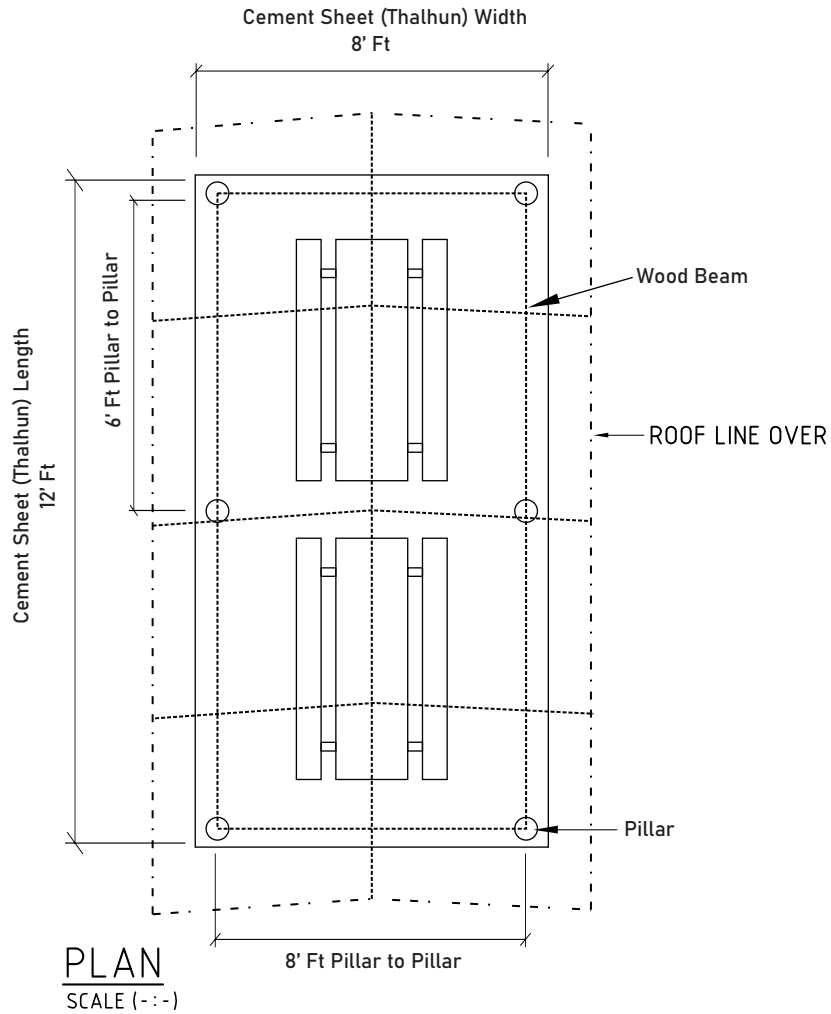


# PICNIC AREA NEWLY DEVELOP BBQ AREA



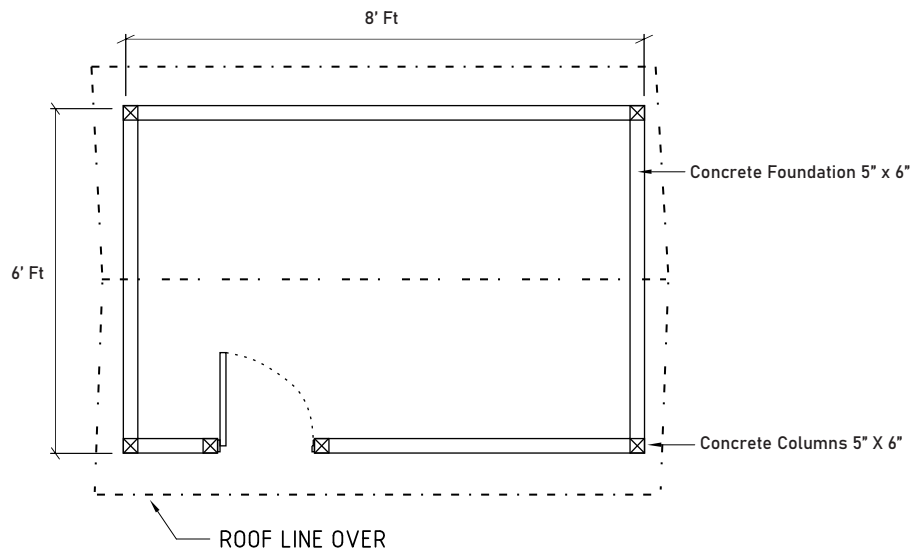
REVISION	DATE:	DRAWN BY:		PROJECT	PROJECT No.	PAGE	
6				<p>Filladhoo Council HA.Filladhoo Republic of Maldives TEL:6500023 info@filladhoo.gov.mv</p>	PICNIC HUTS		<b>A4</b>
5					PROJECT	DATE: 16-08-2023	DRAWN CDR
4					<b>NEWLY DEVELOP BBQ AREA</b>	DRAWING No. 01	SCALE NOT TO SCALE
3					DRAWING TITLE	SHEET No.	REV.
2					PICNIC HUTS	01	
1							

# PICNIC AREA NEWLY DEVELOP BBQ AREA



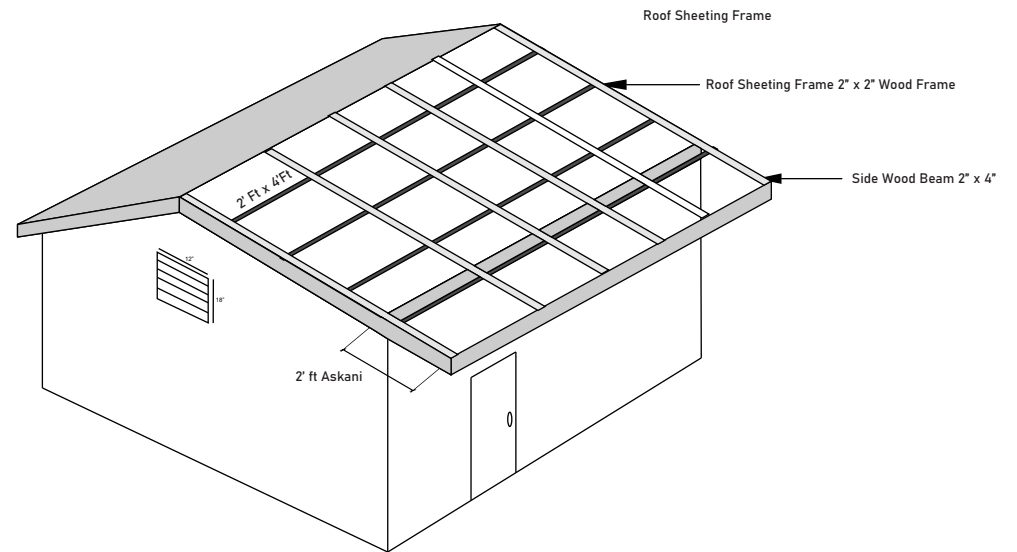
REVISION	DATE:	DRAWN BY:		PICNIC HUTS	PROJECT No.	PAGE	
6				<p>Filladhoo Council HA.Filladhoo Republic of Maldives TEL:6500023 info@filladhoo.gov.mv</p>	PROJECT	DATE: 16-08-2023	<b>A4</b>
5					<b>NEWLY DEVELOP BBQ AREA</b>	DRAWN CDR	
4					DRAWING TITLE	DRAWING No. 01	SCALE NOT TO SCALE
3					PICNIC HUTS	SHEET No. 02	REV.
2							
1							

# PICNIC AREA NEWLY DEVELOP BBQ AREA



**PLAN**  
SCALE (-:-)

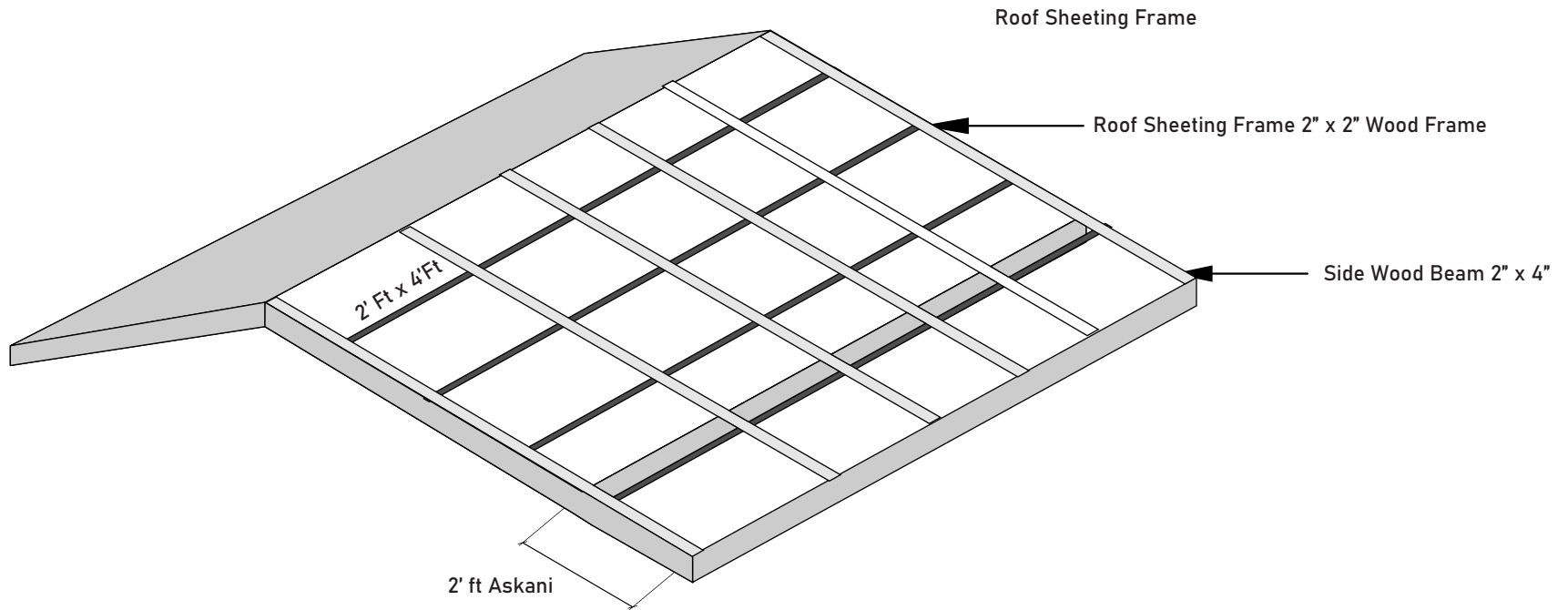
## PUMP HOUSE ROOFING WOOD FRAME



REVISION	DATE:	DRAWN BY:		<b>Filladhoo Council</b> HA.Filladhoo Republic of Maldives TEL:6500023 info@filladhoo.gov.mv	<b>PICNIC HUTS</b> PROJECT <b>NEWLY DEVELOP BBQ AREA</b> DRAWING TITLE <b>PICNIC HUTS</b>	PROJECT No.	PAGE			
6										<b>A4</b>
5									DATE: 16-08-2023	DRAWN CDR
4									DRAWING No. 01	SCALE NOT TO SCALE
3									SHEET No.	REV.
2									<b>03</b>	
1										

PICNIC AREA  
**NEWLY DEVELOP BBQ AREA**

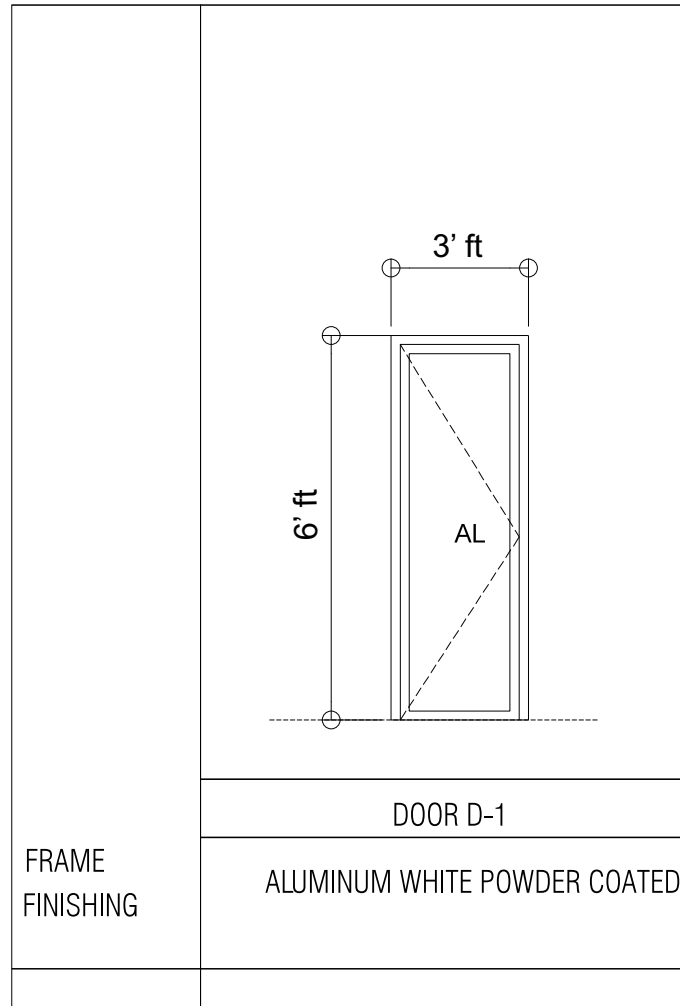
### HUT ROOFING WOOD FRAME



PLAN  
 SCALE (-:-)

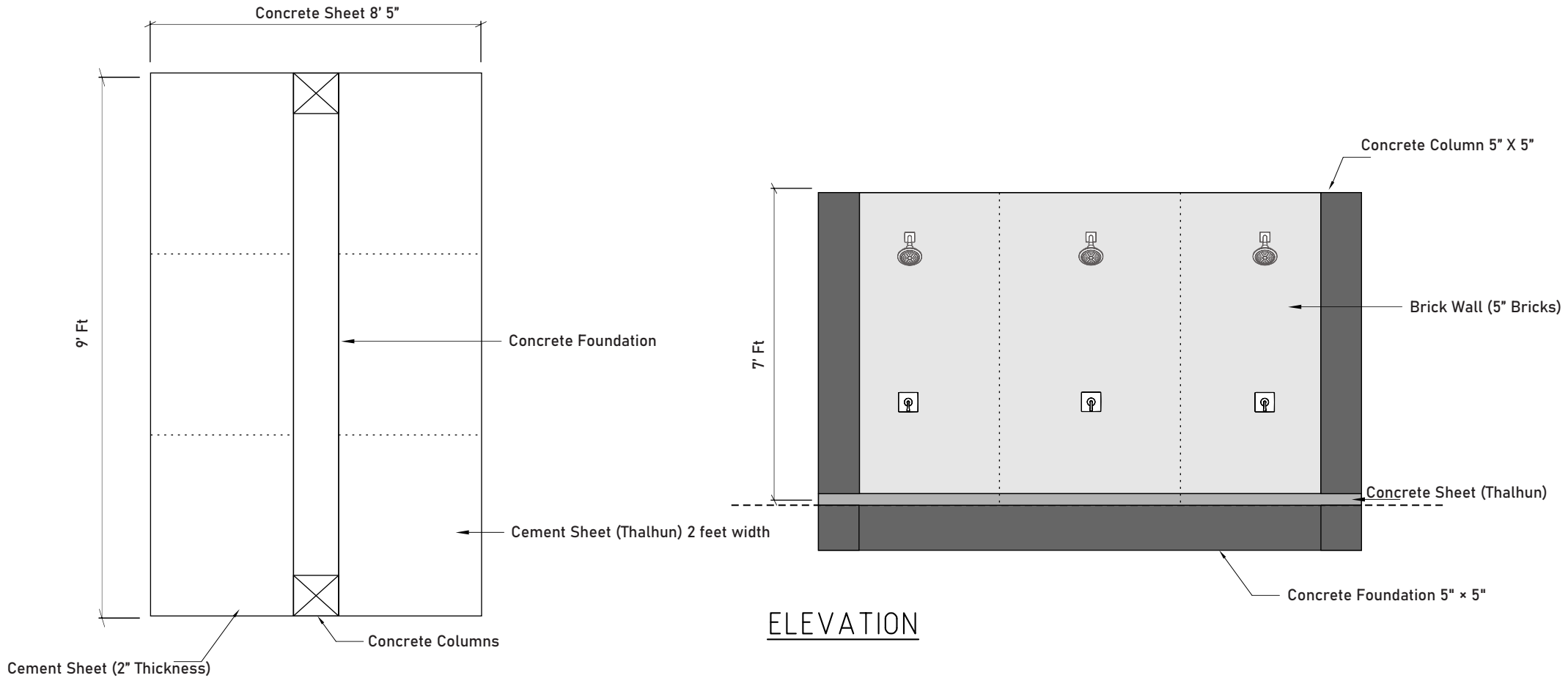
REVISION	DATE:	DRAWN BY:		Filladhoo Council HA.Filladhoo Republic of Maldives TEL:6500023 info@filladhoo.gov.mv	PICNIC HUTS		PROJECT No.	PAGE
6					PROJECT	NEWLY DEVELOP BBQ AREA	DATE: 16-08-2023	DRAWN CDR
5							DRAWING No. 01	SCALE NOT TO SCALE
4							SHEET No. 04	REV.
3								
1								

PICNIC AREA  
**NEWLY DEVELOP BBQ AREA**



REVISION	DATE:	DRAWN BY.		PROJECT	PROJECT No.	PAGE	
6				Filladhoo Council	PICNIC HUTS		<b>A4</b>
5				HA.Filladhoo	PROJECT	DATE:	DRAWN
4				Republic of Maldives	<b>NEWLY DEVELOP BBQ AREA</b>	16-08-2023	CDR
3				TEL:6500023	DRAWING No.	01	SCALE
2				info@filladhoo.gov.mv	NOT TO SCALE		
1				DRAWING TITLE	SHEET No.	REV.	
				PICNIC HUTS	<b>05</b>		

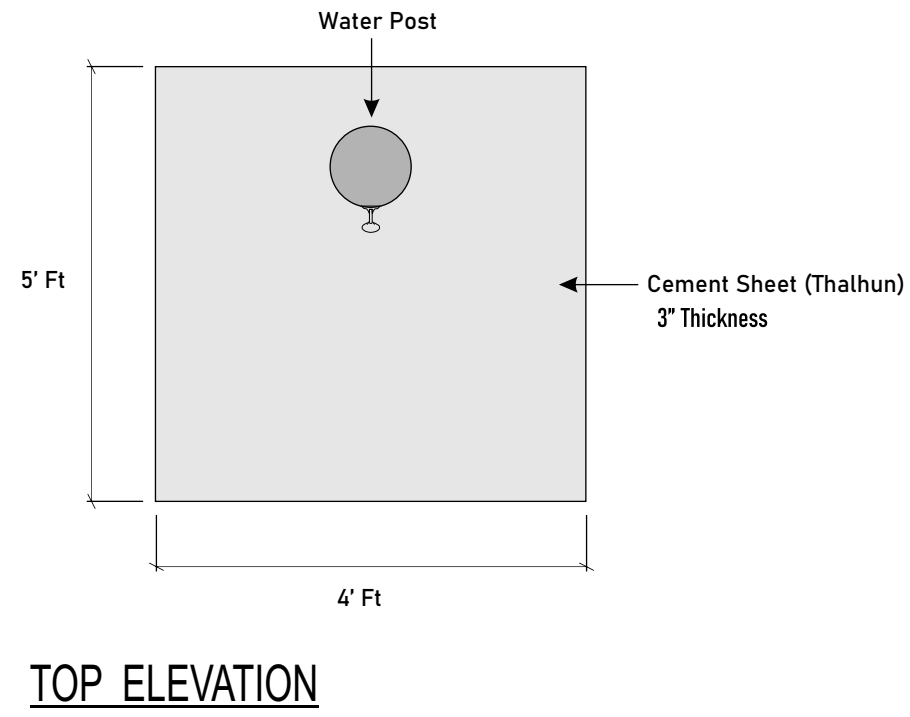
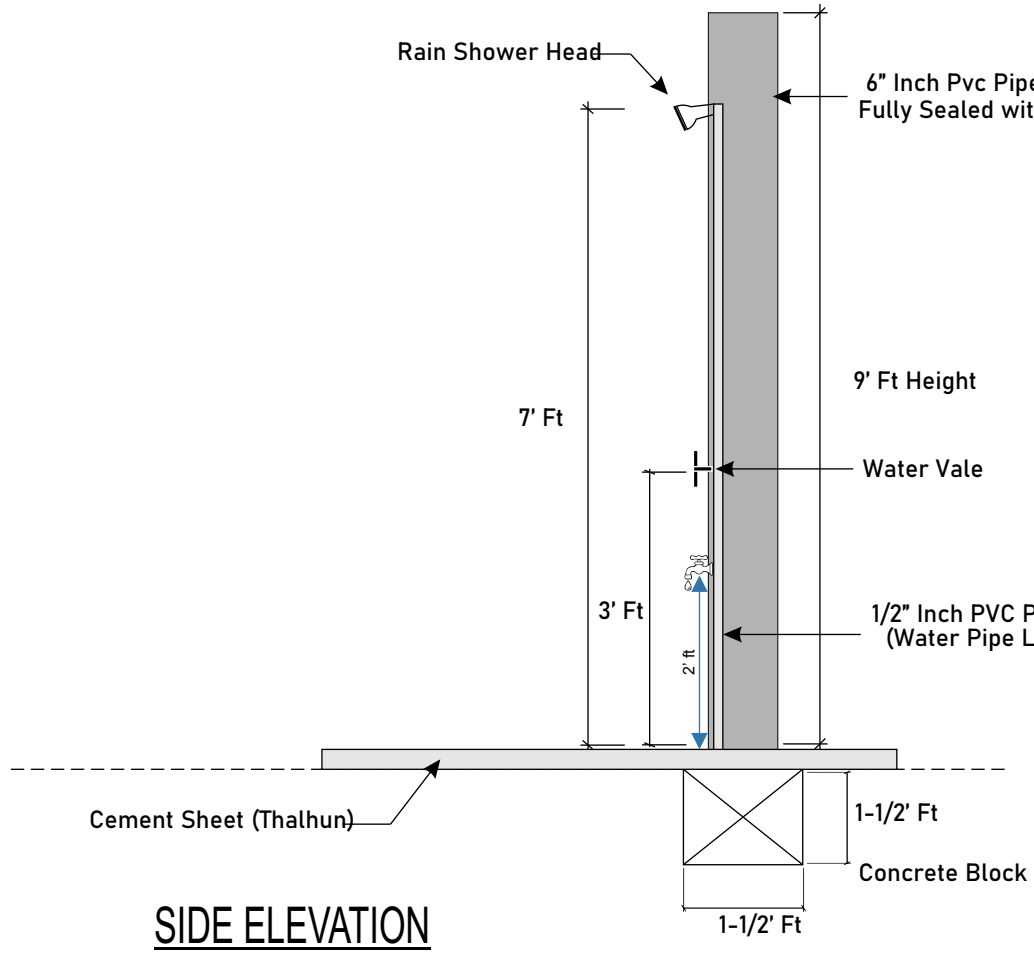
# PICNIC AREA NEWLY DEVELOP BBQ AREA



REVISION	DATE:	DRAWN BY:		<b>Filladhoo Council</b> HA.Filladhoo Republic of Maldives TEL:6500023 info@filladhoo.gov.mv	<b>PICNIC HUTS</b> PROJECT <b>NEWLY DEVELOP BBQ AREA</b> DRAWING TITLE <b>PICNIC HUTS</b>	PROJECT No.	PAGE			
6										<b>A4</b>
5									DATE: 16-08-2023	DRAWN CDR
4									DRAWING No. 01	SCALE NOT TO SCALE
3									SHEET No.	REV.
1									<b>06</b>	

PICNIC AREA  
**NEWLY DEVELOP BBQ AREA**

**OUTDOOR SHOWER MODEL**



REVISION	DATE:	DRAWN BY:
6		
5		
4		
3		
2		
1		

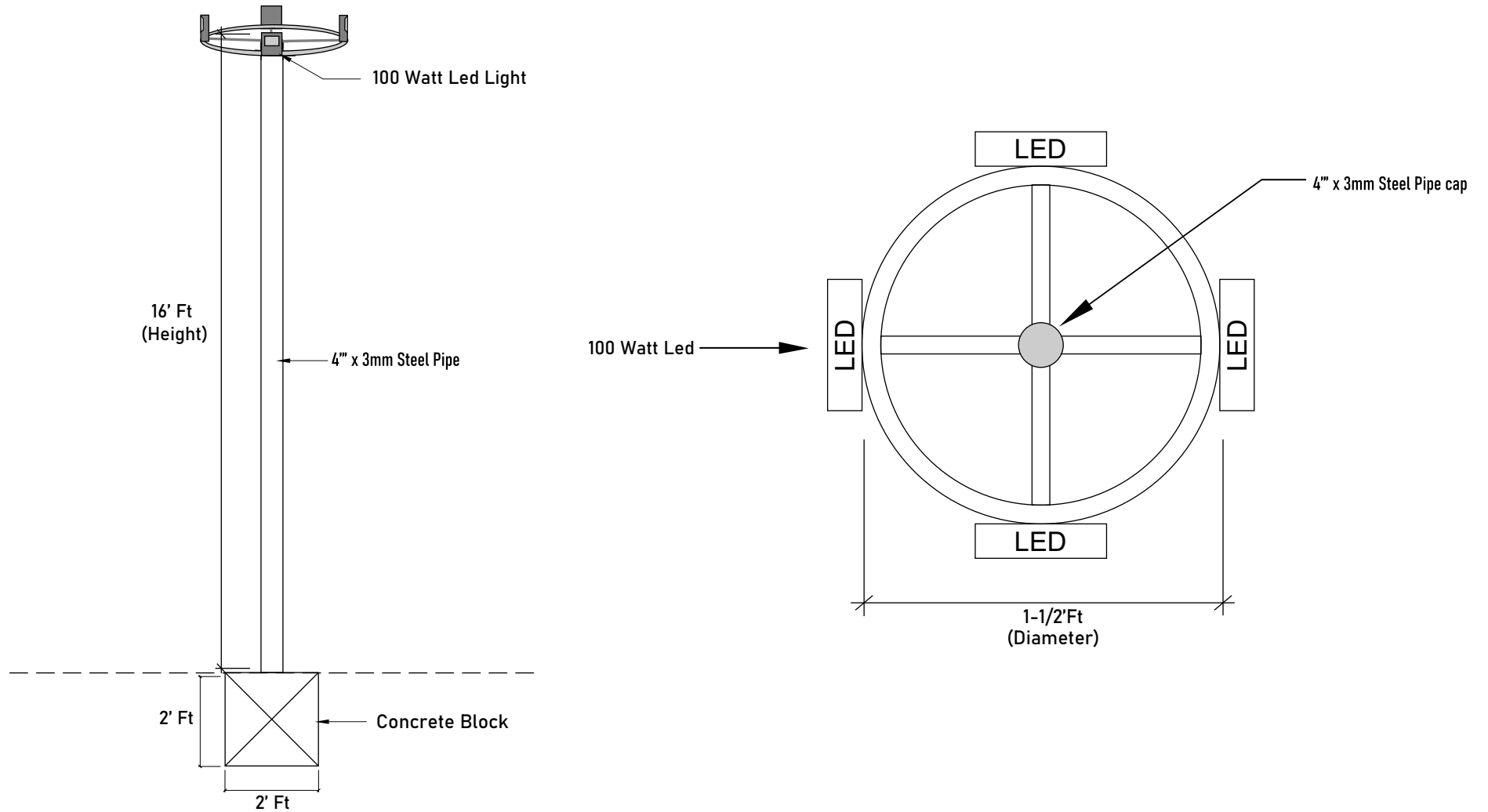


Filladhoo Council  
 HA.Filladhoo  
 Republic of Maldives  
 TEL:6500023  
 info@filladhoo.gov.mv

PICNIC HUTS	PROJECT No.	PAGE
PROJECT	DATE:	<b>A4</b>
<b>NEWLY DEVELOP BBQ AREA</b>	16-08-2023	DRAWN
DRAWING TITLE	DRAWING No.	CDR
PICNIC HUTS	01	SCALE
	SHEET No.	NOT TO SCALE
	<b>07</b>	REV.

PICNIC AREA  
**NEWLY DEVELOP BBQ AREA**

**OUTDOOR LIGHT POST MODEL**



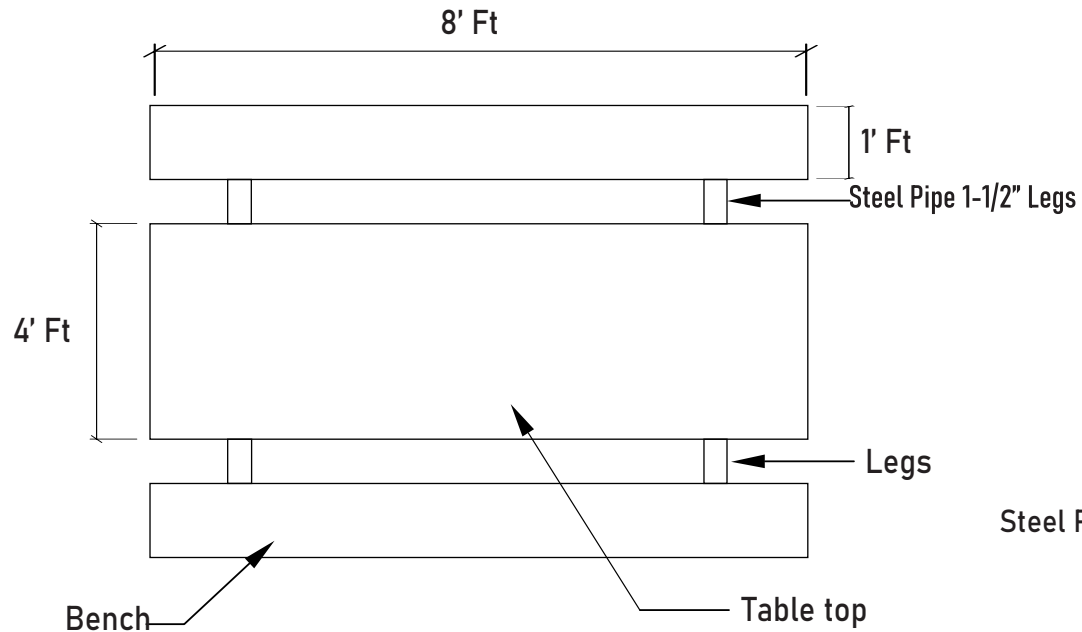
REVISION	DATE:	DRAWN BY:		<b>Filladhoo Council</b> HA.Filladhoo Republic of Maldives TEL:6500023 info@filladhoo.gov.mv	PICNIC HUTS	PROJECT No.	PAGE
6					PROJECT	DATE: 16-08-2023	DRAWN CDR
5					<b>NEWLY DEVELOP BBQ AREA</b>	DRAWING No. 01	SCALE NOT TO SCALE
4					DRAWING TITLE	SHEET No.	REV.
3					PICNIC HUTS	08	
1							



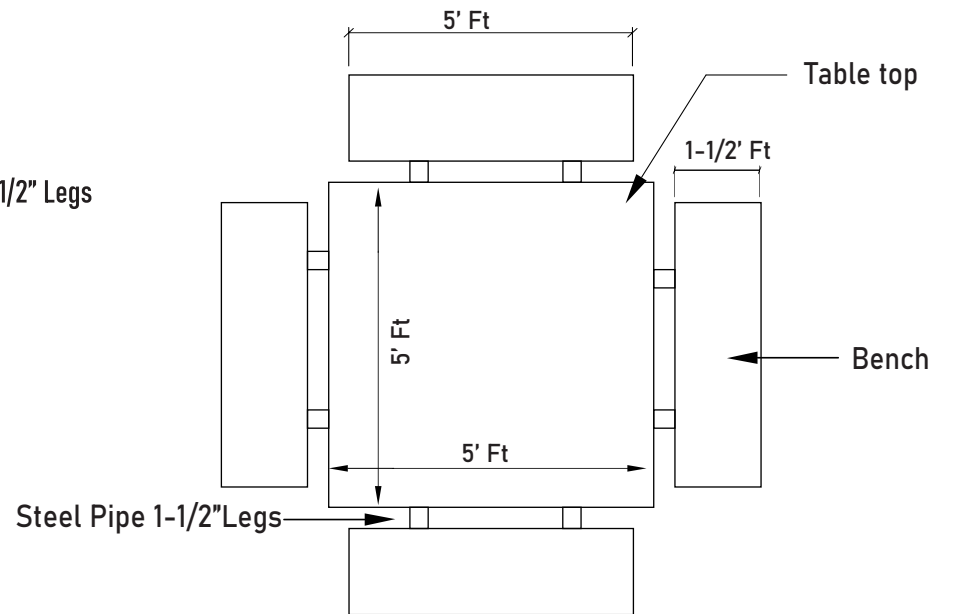
PICNIC AREA  
**NEWLY DEVELOP BBQ AREA**

**TABLE & CHAIR TOP DIMENSIONS**

MODEL 1



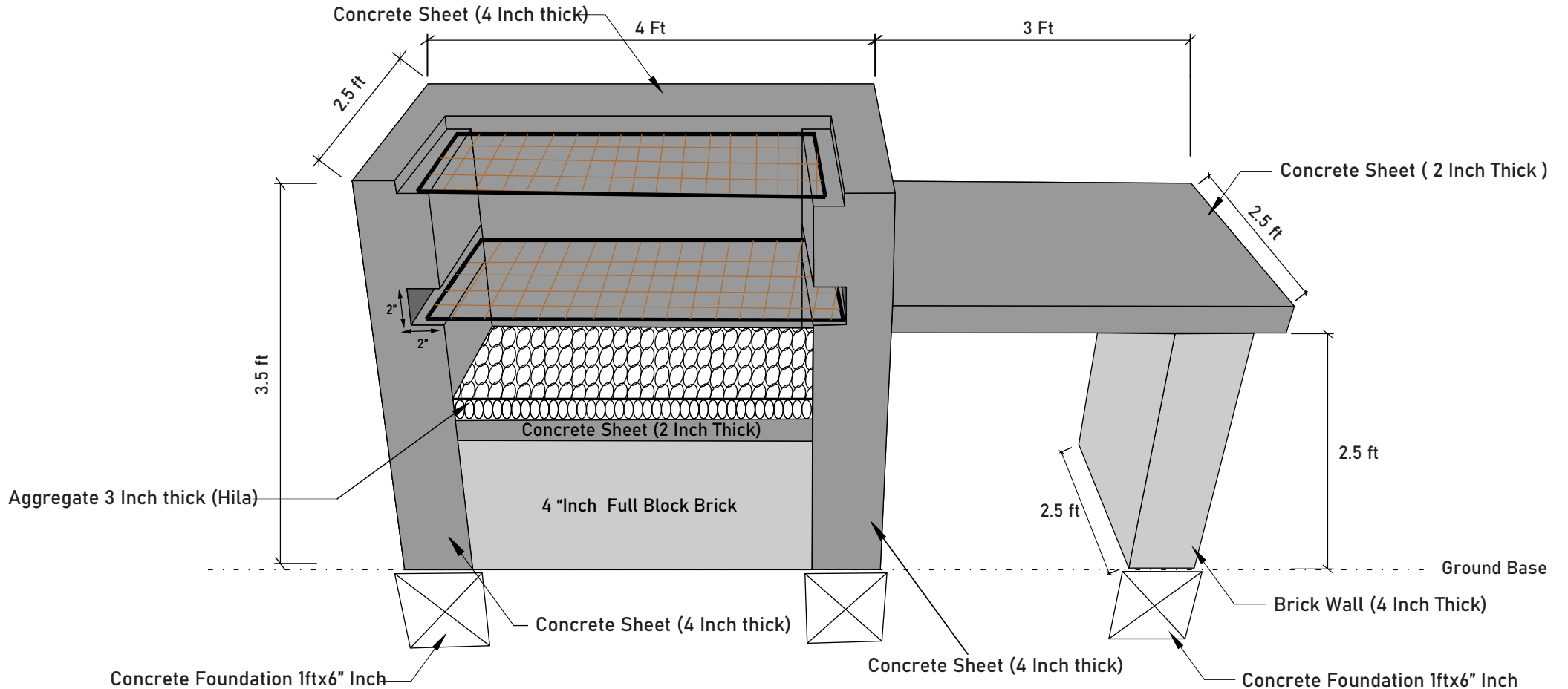
MODLE 2



REVISION	DATE:	DRAWN BY:		Filladhoo Council HA.Filladhoo Republic of Maldives TEL:6500023 info@filladhoo.gov.mv	PICNIC HUTS	PROJECT No.	PAGE	
6					PROJECT	NEWLY DEVELOP BBQ AREA	DATE: 16-08-2023	DRAWN CDR
5					DRAWING TITLE	PICNIC HUTS	DRAWING No. 01	SCALE NOT TO SCALE
4							SHEET No. 09	REV.
3								
2								
1								

PICNIC AREA  
**NEWLY DEVELOP BBQ AREA**

**BARBEQUE GRILL CEMENT MODEL**



REVISION	DATE:	DRAWN BY:		Filladhoo Council HA.Filladhoo Republic of Maldives TEL:6500023 info@filladhoo.gov.mv	PICNIC HUTS PROJECT <b>NEWLY DEVELOP BBQ AREA</b> DRAWING TITLE PICNIC HUTS	PROJECT No.	PAGE			
6										<b>A4</b>
5									DATE: 16-08-2023	DRAWN CDR
4									DRAWING No. 01	SCALE NOT TO SCALE
3									SHEET No.	REV.
1									<b>10</b>	