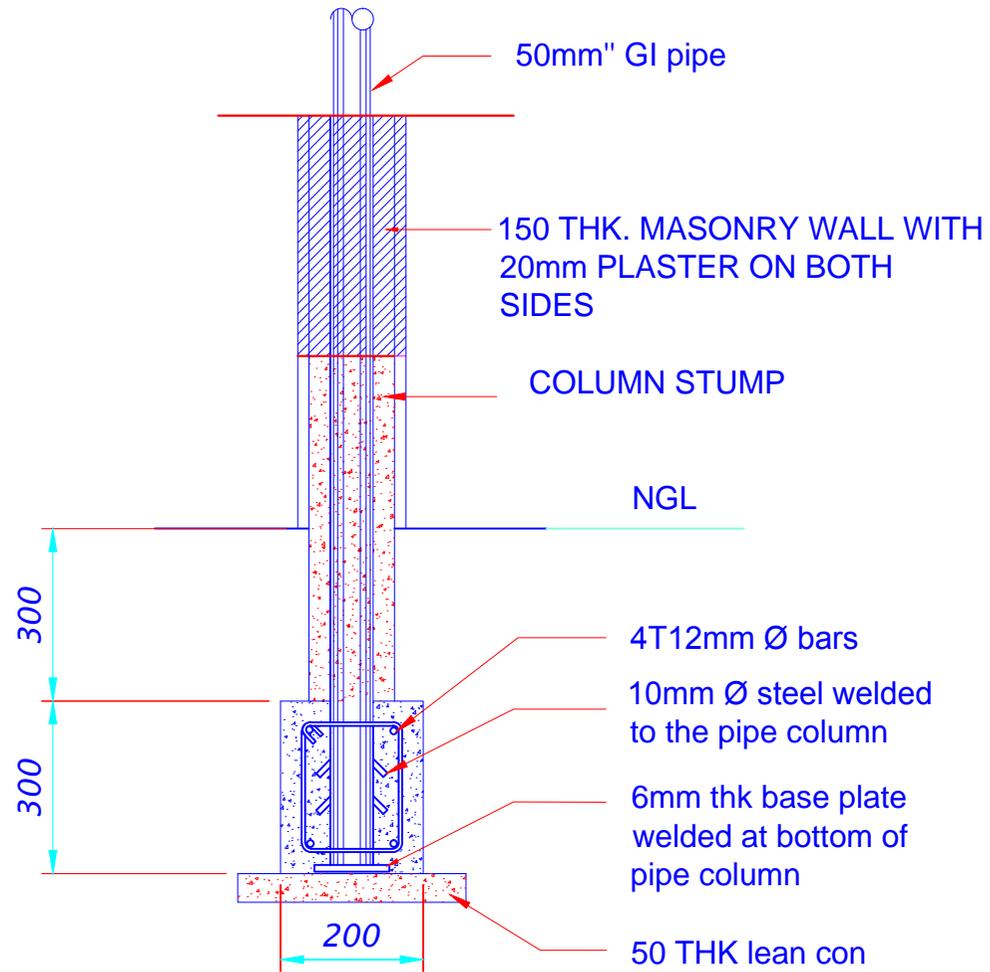
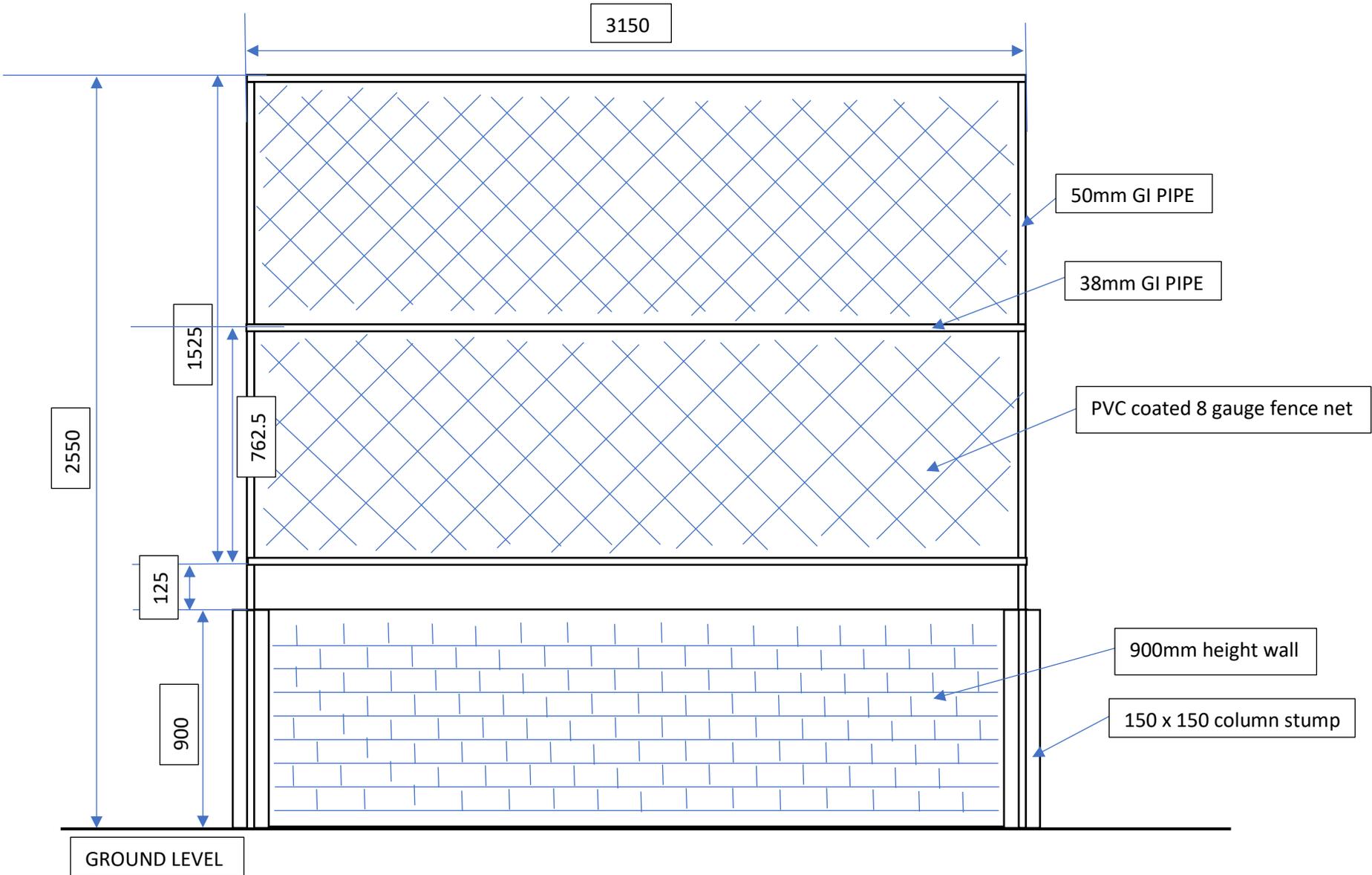


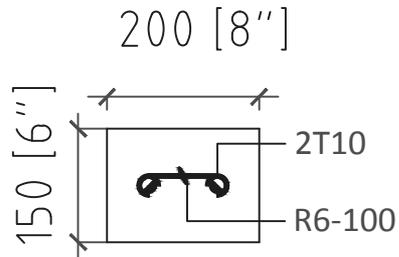
○ STANDARD ARTIFICIAL TURF FULL PITCH PLAN



DETAL- COLUMN STUMP
Scale - 1:20

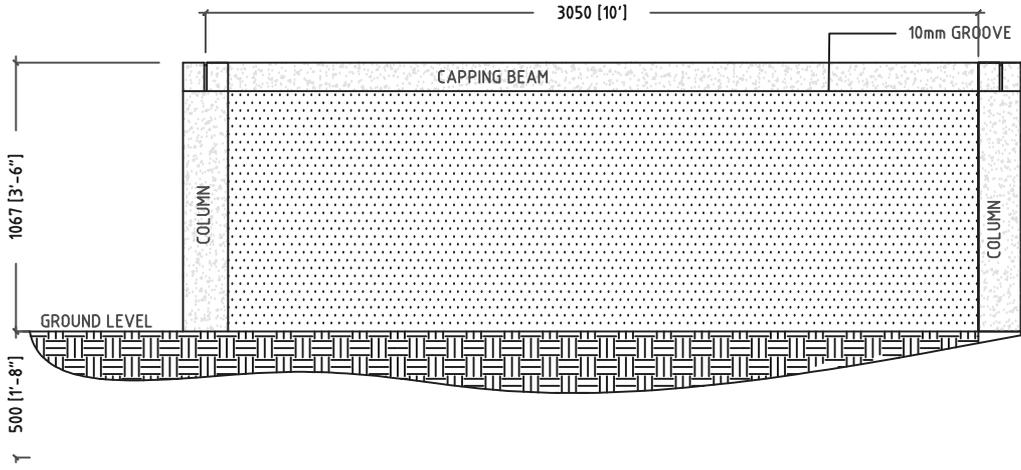
FENCING DETAIL





TOPICAL COLUMN

SCALE 1:10



ELEVATION
SCALE 1:25