

بِسْمِ اللّٰهِ الرَّحْمٰنِ الرَّحِیْمِ



مؤتمروں کی اطلاع کے لئے
رہنما، برائے

مؤتمروں کی اطلاع کے لئے

رہنما، برائے مؤتمروں کی اطلاع کے لئے	مؤتمروں کی اطلاع کے لئے
(IUL)225-CA/225/2023/69	مؤتمروں کی اطلاع کے لئے
03، 14:00 2023	مؤتمروں کی اطلاع کے لئے
01	مؤتمروں کی اطلاع کے لئے
11، 13:30 2023	مؤتمروں کی اطلاع کے لئے
https://forms.office.com/r/2VABKYZhQ8	مؤتمروں کی اطلاع کے لئے

<p>دسوا لاجوی ڈیڑھ گھنٹہ:</p>	<p>1.6</p>
<p>پندرہ گھنٹہ ڈیڑھ گھنٹہ ہفت روزہ سہ ماہی: مہینہ: مئی 2023ء، نمبر 11 قسط: 13:30</p>	<p>1.7</p>
<p>پندرہ گھنٹہ ڈیڑھ گھنٹہ ہفت روزہ سہ ماہی: مہینہ: مئی 2023ء، نمبر 11 قسط: 13:30</p>	<p>1.8</p>
<p>پندرہ گھنٹہ ڈیڑھ گھنٹہ ہفت روزہ سہ ماہی: 6 گھنٹہ ڈیڑھ گھنٹہ۔</p>	<p>1.9</p>
<p>5000 ڈیڑھ گھنٹہ ڈیڑھ گھنٹہ ہفت روزہ سہ ماہی: 5000</p>	<p>1.10</p>
<p>60 ڈیڑھ گھنٹہ ڈیڑھ گھنٹہ ہفت روزہ سہ ماہی (مئی 2023ء) ڈیڑھ گھنٹہ۔</p>	<p>1.11</p>
<p>پندرہ گھنٹہ ڈیڑھ گھنٹہ ہفت روزہ سہ ماہی: -</p>	<p>1.12</p>
<p>مہینہ: مئی 2023ء، نمبر 11 قسط: 13:30</p>	<p>1.13</p>

<p>3.3.2 3.3.2 3.3.4</p>	<p>3.3.2 3.3.4</p>	
<p>3.3.5</p>	<p>3.3.5</p>	
<p>4.1</p>	<p>4.1</p>	<p>4. 4.1</p>
<p>5.1</p>	<p>5.1</p>	<p>5. 5.1</p>
<p>6.1</p>	<p>6.1</p>	<p>6. 6.1</p>
<p>(س) 7.1</p>		
<p>7.1</p>	<p>7.1</p>	<p>7. 7.1</p>
<p>7.1.1</p>	<p>7.1.1</p>	
<p>7.1.2</p>	<p>7.1.2</p>	
<p>7.1.3</p>	<p>7.1.3</p>	
<p>7.1.4</p>	<p>7.1.4</p>	
<p>7.1.5</p>	<p>7.1.5</p>	

14.1	<p>14. 14.1</p> <p>14.1.1</p> <p>14.1.2</p> <p>14.1.3</p> <p>15. 15.1</p> <p>16. 16.1</p> <p>16.1.1</p> <p>16.1.2</p> <p>16.1.3</p> <p>16.1.4</p> <p>16.1.5</p> <p>16.1.6</p> <p>16.1.7</p>	<p>14. 14.1</p> <p>14. 14.2</p> <p>14. 14.3</p> <p>15. 15.1</p> <p>16. 16.1</p> <p>16. 16.1.1</p> <p>16. 16.1.2</p> <p>16. 16.1.3</p> <p>16. 16.1.4</p> <p>16. 16.1.5</p> <p>16. 16.1.6</p> <p>16. 16.1.7</p>
14.2	<p>14.2.1</p> <p>14.2.2</p>	<p>14. 14.2</p> <p>14. 14.3</p>
14.3	<p>14.3.1</p>	<p>14. 14.3</p>
15.1	<p>15.1.1</p>	<p>15. 15.1</p>
16.1	<p>16.1.1</p> <p>16.1.2</p> <p>16.1.3</p> <p>16.1.4</p> <p>16.1.5</p> <p>16.1.6</p> <p>16.1.7</p>	<p>16. 16.1</p> <p>16. 16.1.1</p> <p>16. 16.1.2</p> <p>16. 16.1.3</p> <p>16. 16.1.4</p> <p>16. 16.1.5</p> <p>16. 16.1.6</p> <p>16. 16.1.7</p>
16.1.1	<p>16.1.1.1</p>	<p>16. 16.1.1</p>
16.1.2	<p>16.1.2.1</p> <p>16.1.2.2</p>	<p>16. 16.1.2</p> <p>16. 16.1.3</p>
16.1.3	<p>16.1.3.1</p>	<p>16. 16.1.3</p>
16.1.4	<p>16.1.4.1</p>	<p>16. 16.1.4</p>
16.1.5	<p>16.1.5.1</p>	<p>16. 16.1.5</p>
16.1.6	<p>16.1.6.1</p>	<p>16. 16.1.6</p>
16.1.7	<p>16.1.7.1</p>	<p>16. 16.1.7</p>
16.2	<p>16.2.1</p> <p>16.2.2</p>	<p>16. 16.2</p> <p>16. 16.2.1</p> <p>16. 16.2.2</p>
16.2.1	<p>16.2.1.1</p>	<p>16. 16.2.1</p>
16.2.2	<p>16.2.2.1</p>	<p>16. 16.2.2</p>

<p>24. 24. 24.1</p>	<p>24.1</p>	<p>24.1</p>
<p>25. 25. 25.1</p>	<p>25.1</p>	<p>25.1</p>
<p>26. 26. 26.1</p>	<p>26.1</p>	<p>26.1</p>
<p>27. 27. 27.1</p>	<p>27.1</p>	<p>27.1</p>
<p>27.2</p>	<p>27.2</p>	<p>27.2</p>
<p>27.3</p>	<p>27.3</p>	<p>27.3</p>
<p>(ع) زمره کے تحت</p>		
<p>28. 28. 28.1</p>	<p>28.1</p>	<p>28.1</p>
<p>28.2</p>	<p>28.2</p>	<p>28.2</p>
<p>28.3</p>	<p>28.3</p>	<p>28.3</p>
<p>28.4</p>	<p>28.4</p>	<p>28.4</p>

		<p>28.5</p> <p>29.1</p> <p>29.2</p> <p>29.3</p> <p>29.4</p> <p>29.5</p> <p>30.1</p> <p>30.2</p> <p>30.3</p>	<p>29</p> <p>30</p>
<p>28.5</p> <p>29.1</p> <p>29.2</p> <p>29.3</p> <p>29.4</p> <p>29.5</p> <p>30.1</p> <p>30.2</p> <p>30.3</p>	<p>29</p> <p>30</p>	<p>28.5</p> <p>29.1</p> <p>29.2</p> <p>29.3</p> <p>29.4</p> <p>29.5</p> <p>30.1</p> <p>30.2</p> <p>30.3</p>	<p>29</p> <p>30</p>

31.1	31. دایسۆ نێرێدۆ دایسۆ ھۆس	<p>کەوتۆی دۆزێکی یۆرێ 17.09 ی ھەنگەنێرێ یۆرێ قەرەس ھۆزێ یۆرێ نێرێ نێرێ نێرێ ھۆزێ دایسۆ نێرێدۆ، نێرێ دایسۆ ھۆزێ دۆزێدۆ، کەوتۆی دۆزێ ھۆزێ ھۆزێ 13-K/CIR/2018/01 ی بەتۆ 17 یۆرێ "ھۆزێ یۆرێ دایسۆ نێرێدۆ، نێرێ دایسۆ ھۆزێ دۆزێدۆ دایسۆ" ھۆزێ ھۆزێ.</p>
31.2		<p>کەوتۆی دۆزێکی یۆرێ 17.09 ی ھەنگەنێرێ یۆرێ قەرەس ھۆزێ یۆرێ نێرێ نێرێ نێرێ ھۆزێ نێرێدۆ کەوتۆی دۆزێ ھۆزێ ھۆزێ ھۆزێ 13-K/CIR/2018/01 ی بەتۆ 18 یۆرێ "ھۆزێ ھۆزێ ھۆزێ ھۆزێ ھۆزێ ھۆزێ ھۆزێ دایسۆ نێرێدۆ ھۆزێ ھۆزێ ھۆزێ PR-14 ھۆزێ ھۆزێ.</p>
31.3		<p>کەوتۆی دۆزێکی یۆرێ 17.09 ی ھەنگەنێرێ یۆرێ قەرەس ھۆزێ یۆرێ نێرێ نێرێ نێرێ ھۆزێ نێرێدۆ، دایسۆ نێرێدۆ ھۆزێ ھۆزێ ھۆزێ 7 (ھۆزێ) ھۆزێ ھۆزێ، دایسۆ ھۆزێ، دایسۆ ھۆزێ دایسۆ نێرێدۆ ھۆزێ، کەوتۆی دۆزێ ھۆزێ ھۆزێ 13- K/CIR/2018/01 ی بەتۆ 19 یۆرێ "ھۆزێ دایسۆ ھۆزێ ھۆزێ ھۆزێ ھۆزێ PR-14 ھۆزێ ھۆزێ ھۆزێ ھۆزێ ھۆزێ.</p>
31.4		<p>کەوتۆی دۆزێکی یۆرێ 17.09 ی ھەنگەنێرێ یۆرێ قەرەس ھۆزێ یۆرێ نێرێ نێرێ نێرێ ھۆزێ نێرێدۆ، ھۆزێ ھۆزێ ھۆزێ ھۆزێ ھۆزێ ھۆزێ ھۆزێ ھۆزێ ھۆزێ ھۆزێ ھۆزێ ھۆزێ ھۆزێ ھۆزێ ھۆزێ ھۆزێ ھۆزێ ھۆزێ ھۆزێ ھۆزێ.</p>
32.1	32. دایسۆ ھۆز ھۆز دۆزێ ھۆز ھۆز تۆزێ نێرێدۆ	<p>کەوتۆی دۆزێکی یۆرێ ھۆز 17.11 ی ھەنگەنێرێ یۆرێ قەرەس ھۆزێ یۆرێ ھۆز دایسۆ ھۆز ھۆز ھۆز ھۆز "ھۆزێ ھۆز ھۆز ھۆز" ھۆز نێرێدۆ، کەوتۆی دۆزێ ھۆزێ ھۆزێ ھۆزێ 13-K/CIR/2018/01 ی بەتۆ 21 یۆرێ "ھۆزێ ھۆزێ ھۆزێ ھۆزێ ھۆزێ ھۆزێ ھۆزێ ھۆزێ ھۆزێ ھۆزێ ھۆزێ ھۆزێ ھۆزێ ھۆزێ - ھۆزێ ھۆزێ PR-16 ھۆزێ ھۆزێ ھۆزێ ھۆزێ ھۆزێ.</p>

<p>5.1. ለገንዘብ ማግኘት ለሚያስፈልግ ገንዘብ ለማግኘት ማለፊያ/ገንዘብ ለማግኘት ማለፊያ</p>	5.1	5. ለገንዘብ ማግኘት ማለፊያ
<p>5.2. ለገንዘብ ማግኘት ለሚያስፈልግ ገንዘብ ለማግኘት ማለፊያ/ገንዘብ ለማግኘት ማለፊያ</p>	5.2	
<p>5.3. ለገንዘብ ማግኘት ለሚያስፈልግ ገንዘብ ለማግኘት ማለፊያ/ገንዘብ ለማግኘት ማለፊያ</p>	5.3	
<p>6.1. ለገንዘብ ማግኘት ለሚያስፈልግ ገንዘብ ለማግኘት ማለፊያ/ገንዘብ ለማግኘት ማለፊያ</p>	6.1	6. ለገንዘብ ማግኘት ማለፊያ
<p>6.2. ለገንዘብ ማግኘት ለሚያስፈልግ ገንዘብ ለማግኘት ማለፊያ/ገንዘብ ለማግኘት ማለፊያ</p>	6.2	
<p>6.3. ለገንዘብ ማግኘት ለሚያስፈልግ ገንዘብ ለማግኘት ማለፊያ/ገንዘብ ለማግኘት ማለፊያ</p>	6.3	
<p>6.4. ለገንዘብ ማግኘት ለሚያስፈልግ ገንዘብ ለማግኘት ማለፊያ/ገንዘብ ለማግኘት ማለፊያ</p>	6.4	
<p>7.1. ለገንዘብ ማግኘት ለሚያስፈልግ ገንዘብ ለማግኘት ማለፊያ/ገንዘብ ለማግኘት ማለፊያ</p>	7.1	7. ለገንዘብ ማግኘት ማለፊያ
<p>7.2. ለገንዘብ ማግኘት ለሚያስፈልግ ገንዘብ ለማግኘት ማለፊያ/ገንዘብ ለማግኘት ማለፊያ</p>	7.2	
<p>8.1. ለገንዘብ ማግኘት ለሚያስፈልግ ገንዘብ ለማግኘት ማለፊያ/ገንዘብ ለማግኘት ማለፊያ</p>	8.1	8. ለገንዘብ ማግኘት ማለፊያ

ዎቅቶ ስራዎችን ለማግኘት ይጠቀሙ			
10	ገጽ 4 "ገጽ 4 ስራዎችን ለማግኘት ይጠቀሙ"		
11	ገጽ 4 "ገጽ 4 ስራዎችን ለማግኘት ይጠቀሙ"		
12	ገጽ 5 "ገጽ 3 (ሰነድ) ስራዎችን ለማግኘት ይጠቀሙ" ገጽ 5 ስራዎችን ለማግኘት ይጠቀሙ		
13	ገጽ 5 "ገጽ 3 (ሰነድ) ስራዎችን ለማግኘት ይጠቀሙ" ገጽ 5 ስራዎችን ለማግኘት ይጠቀሙ		
ዎቅቶ ስራዎችን ለማግኘት ይጠቀሙ			
16	ገጽ 16 ስራዎችን ለማግኘት ይጠቀሙ		
17	ገጽ 17 ስራዎችን ለማግኘት ይጠቀሙ		
18	ገጽ 18 ስራዎችን ለማግኘት ይጠቀሙ		
19	ገጽ 19 ስራዎችን ለማግኘት ይጠቀሙ		
ስራዎችን ለማግኘት ይጠቀሙ			
20	ገጽ 20 ስራዎችን ለማግኘት ይጠቀሙ		

2 - ٢٠٢٠

٢٠٢٠

١. ٢٠٢٠	
1.1	٢٠٢٠
1.2	٢٠٢٠
٢. ٢٠٢٠	
2.1	٢٠٢٠
2.2	٢٠٢٠
٣. ٢٠٢٠	
3.1	٢٠٢٠
	٢٠٢٠
	٢٠٢٠
3.2	٢٠٢٠
3.3	٢٠٢٠
٤. ٢٠٢٠	
4.1	٢٠٢٠
4.2	٢٠٢٠
4.3	٢٠٢٠
٥. ٢٠٢٠	
	٢٠٢٠
	٢٠٢٠
	٢٠٢٠
	٢٠٢٠

3 - حَقَّقُوا

تَمَرِّقُوا وَتَمَكِّنُوا فَتَمَرِّقُوا

1. تَمَرِّقُوا وَتَمَكِّنُوا فَتَمَرِّقُوا		
1.1-	سَرِّر	
1.2-	مَرَجِّسُوا فِي تَمَرِّقِ الْوَقْتِ الْوَقْتِ	
1.3-	وَمَرِّقُوا فِي الْوَقْتِ	
1.4-	مَرَجِّسُوا فِي سَرِّرِ	
1.5-	عَلَيْهِمْ فَتَمَرِّقُوا فِي الْوَقْتِ الْوَقْتِ	
1.6-	عَلَيْهِمْ فِي سَرِّرِ	
1.7-	فِي سَرِّرِ	
1.8-	فِي الْوَقْتِ الْوَقْتِ	
2. تَمَرِّقُوا وَتَمَكِّنُوا فَتَمَرِّقُوا (تَمَرِّقُوا فِي الْوَقْتِ الْوَقْتِ، فَتَمَرِّقُوا فِي الْوَقْتِ الْوَقْتِ وَتَمَكِّنُوا فِي الْوَقْتِ الْوَقْتِ)		
#	سَرِّر	وَقْتِ
		عَلَيْهِمْ فِي سَرِّرِ
		عَلَيْهِمْ فِي سَرِّرِ
		عَلَيْهِمْ فِي سَرِّرِ
3. تَمَرِّقُوا فِي الْوَقْتِ الْوَقْتِ		

6 - 6

6

<p>75</p>	<p>75</p>	<p>75</p>
<p>75</p>	<p>75</p>	<p>75</p>
<p>10</p>	<p>10</p>	<p>10</p>
<p>5</p>	<p>5</p>	<p>5</p>
<p>5</p>	<p>5</p>	<p>5</p>

7 - 7

7

Form of Bid Security (Bank Guarantee)

WHEREAS,[name of Bidder] (hereinafter called "the Bidder") has submitted his Bid for the Tender no.....issued by the Secretariat of the North Thiladhunmathi Atoll Council onfor Supplying/Purchasing of[name of Contract] (hereinafter called "the Bid").

KNOW ALL PEOPLE by these presents that We [name of Bank] of [name of country] having our registered office at (hereinafter called "the Bank") are bound unto[name of Purchaser] (hereinafter called "the Purchaser") in the sum of *..... for which payment well and truly to be made to the said Purchaser, the Bank binds itself, its successors, and assigns by these presents.

SEALED with the Common Seal of the said Bank thisday of20.....

THE CONDITIONS of this obligation are:

- (1) If, after Bid opening, the Bidder withdraws his Bid during the period of Bid validity specified in the Form of Bid;
- or
- (2) If the Bidder having been notified of the acceptance of his Bid by the Purchaser during the period of Bid validity:
 - (a) fails or refuses to execute the Form of Agreement in accordance with the Instructions to Bidders, if required; or
 - (b) fails or refuses to furnish the Performance Security, in accordance with the Instruction to Bidders; or
 - (c) does not accept the correction of the Bid Price pursuant to Clause 27,

* The Bidder should insert the amount of the Guarantee in words and figures denominated in Maldivian Rufiyaa.

we undertake to pay to the Purchaser up to the above amount upon receipt of his first written demand, without the Purchaser's having to substantiate his demand, provided that in his demand the Purchaser will note that the amount claimed by him is due to him owing to the occurrence of one or any of the three conditions, specifying the occurred condition or conditions.

This Guarantee will remain in force up to and including the date days after the deadline for submission of bids as such deadline is stated in the Instructions to Bidders or as it may be extended by the Purchaser, notice of which extension(s) to the Bank is hereby waived. Any demand in respect of this Guarantee should reach the Bank not later than the above date.

DATE..... SIGNATURE OF THE BANK

WITNESS SEAL

[signature, name, and address]

8 - ބަލަވާ ބަލަވާ
 ބަލަވާ ބަލަވާ ބަލަވާ

Form of Performance Bank Guarantee (Unconditional)

To:
[name & address of Purchaser]

WHEREAS *[name and address of Supplier]* (hereinafter called "the Supplier") has undertaken, in pursuance of Contract No. dated to execute *[name of Contract and brief description of Works]* (hereinafter called "the Contract");

AND WHEREAS it has been stipulated by you in the said Contract that the Supplier shall furnish you with a Bank Guarantee by a recognized bank for the sum specified therein as security for compliance with his obligations in accordance with the Contract;

AND WHEREAS we have agreed to give the Supplier such a Bank Guarantee;

NOW THEREFORE we hereby affirm that we are the Guarantor and responsible to you, on behalf of the Supplier, up to a total of *..... *[amount of Guarantee]* *[amount in words]*, such sum being payable in the types and proportions of currencies in which the Contract Price is payable, and we undertake to pay you, upon your first written demand and without cavil or argument, any sum or sums within the limits of *[amount of Guarantee]* as aforesaid without your needing to prove or to show grounds or reasons for your demand for the sum specified therein.

*An amount is to be inserted by the Guarantor, representing the percentage of the Contract Price specified in the Contract, in Maldivian Rufiyaa.

We hereby waive the necessity of your demanding the said debt from the Supplier before presenting us with the demand.

We further agree that no change or addition to or other modification of the terms of the Contract or of the Works to be performed there under or of any of the Contract documents which may be made between you and the Supplier shall in any way release us from any liability under this Guarantee, and we hereby waive notice of any such change, addition, or modification.

This Guarantee shall be valid until the date of issue of the Defects Correction Certificate.

SIGNATURE AND SEAL OF THE GUARANTOR
 Name of Bank
 Address

 Date

Product Model 98M3A

Technical Specification

一、Product characteristics

1. *System properties*

- Equipped with Android 8.0 Smart OS and a unique user interface design;
- 3GB internal cache + 32GB internal storage, for faster operating speeds;

2. *Exterior and smart touch:*

- The exterior features four minimalist arc-shaped edges; the WIFI and Bluetooth antennas adopt a forward, hidden design;
- Front-disassembly, high-precision, infrared touch frame with touch precision of $\pm 1\text{mm}$ and touch height of 2.0mm, highly sensitive, supports 20 touch points;
- Equipped with an OPS interface and a scalable dual system; a dual USB interface with dual system compatibility; a dual network interface for device switching;

3. *Whiteboard writing:*

- High performance writing software that supports single and multi-point writing with improved writing effects with the pen, so that users can annotate on any interface and any channel;
- Uses AG anti-glare tempered glass, with a Mohs hardness scale of 7, providing a better writing experience;

4. *Conference training:*

- Built-in dual 2.4G/5.8G frequency, dual network cards, supports simultaneous use of the wireless network connection and WiFi hotspot;
- Bluetooth function to connect wirelessly with and transfer data to phones, speakers, and other Bluetooth-enabled devices; supports wireless connection with printers for printing documents;
- Wireless screen-casting, supports casting to multiple screens, features reverse

mirror control, remote snapshots, file sharing, wireless speaking, wireless control, etc.;

- Built-in WPS, conference timer, welcome remarks, scoring and voting systems, and other high-efficiency conferencing software;

5. Commercial display:

- High definition image processing engine: image motion compensation, color enhancement processing, point-to-point precision technology;
- All-channel output function: real-time, high-definition, stable, and low-latency output to expansion units;
- Featuring an all-new welcome screen, live apps, background music, and wall messaging;
- Customized boot screens; the local media player supports automatic classification to meet the needs of a variety of occasions;



二、 Main Specification Parameters

2.1 Specification overview

Certification	Certification model	98M3A
Display	Size	97.52"
	Backlight type	D-LED
	Resolution	3840*2160 (UHD)
	Brightness	460cd/m ²
	Contrast ratio	1200:1
	Response time	8ms
	Pixel pitch	0.5622mm*0.5622mm
	Refreshing frequency	120Hz

	Viewing angle	178°(H) / 178°(V)
	Color gamut(x% NTSC)	70%
	View area	2158.848mm*1214.352mm
	Display colors	1.07B(10bit)
	Life time	30,000 hrs
System	Operation system	Android 8.0
	CPU Architecture	ARM A73+A53
	CPU Working Frequency	1.5GHz
	CPU Core	Quad Core
	GPU	Mali-G51
	RAM	3GB DDR4
	ROM	32GB Standard
Power	Voltage	100 V ~ 240 V/AC, 50/60 Hz
	Power consumption without OPS	550W
	OPS Power	18V(DC)/5A
	Power consumption in standbymode	<0.5W
	Power (AC) input	*1
Function	Audio Output Power	15W * 2
	WIFI	Support
	Bluetooth	Support
Interface	HDMI In	*2
	DP In	*1
	VGA In	*1
	OPS (Optional)	*1
	LAN	*2
	Android USB	*2
	Public USB	*2
	Touch-USB	*1
	PC-Audio In	*1

	HDMI Out	*1
	S/PDIF Out	*1
	Audio Out	*1
	RS232 In	*1
Environment	Working Temperature	0°C ~ 40°C
	Storage Temperature	-10°C ~ 60°C
	Working Humidity	20% ~ 80%
	Storage Humidity	10% ~ 80%
	Image Model	Standard、Computer、Gorgeous、Bright、Soft、Nature、Exercise、Game、Automatic、Users

	The longest service time(Hour*Day)	18Hours*7days
Structure	Net Weight	128Kg±1.5Kg
	Gross Weight	179Kg±1.5Kg(Heavy Carton)
	Product Size (W*D*H)	2244.88mm*117.2mm*1300.38mm
	Package Size (W*D*H)	2525mm*435mm*1750mm(Heavy Carton)
	VESA	4-M8 Screw Hole 800mm*600mm
	Housing Material (Surface Frame /Back Cover)	Aluminum/Sheet Metal
	Housing Color (Surface Frame /Back Cover)	Gray/Black
Accessories	Pen	*2
	Remote Control	*1
	Expansion Screw	*8
	USB Disk	*1
	User Manual	*1
	Certificate of quality/Warrantycard	*1
	HDMI Cable	*1
	Touch Cable	*1

	Power Cord	*1
	USB Extension Cable	*1

2.2 The Interface Distribution

The right side of the back: Public-USB\Public-USB\HDMI-OUT\SPDIF\Touch-USB\USB2.0 \USB2.0

\DP\HDMI1\HDMI2

The right lower side of the back :LAN1\LAN2\RS232\Audio OUT\ PC-Audio\VGA

三、Touch Frame Specifications

3.1 Product Overview

High precision of infrared touch frame, resolution by interpolation algorithm can be as high as 32768x32768;

Support Plug and Play;

Support 20 Points Infrared Touch

3.2 Main specification parameters

Touch System	Sensing Type	Infrared Touch Frame
	Surface protection	4mm AG Toughened glass
	Response Time	<10ms
	Touch Accuracy	More than 90% of the touch area of plus or minus 1mm
	Minimum Touch Diameter	≥1.6mm(Single-point); ≥3mm(Multipoint)
	Input Mode	Finger or Pen
	Output Form	HID Standard
	Theory Clicks	Unlimited

3.3 Electrical Specification

Interface Type	USB2.0 at full speed
Working Voltage	DC+5V±5%

Power Consumption	≤2W
-------------------	-----

Multi-touch supported operating system	Multi-touch: Windows 7/8/10、Android、Linux Single-touch: Windows XP、Mac OS X、Chrome
--	---

3.4 Operating system and software

Product Model: Mobile Base for Flat-panel Display HK90



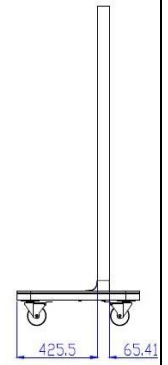
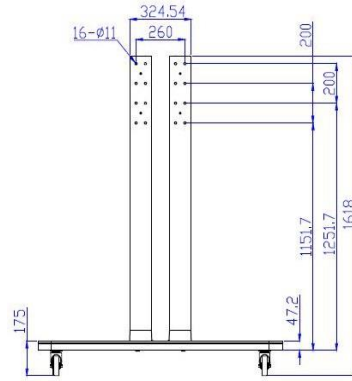
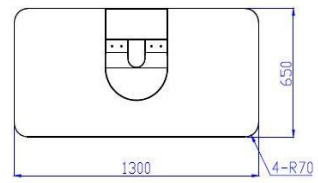
一、 Specifications

Hole distance: 260*200mm	
Size of display/TV to be mounted: 86"-98"	
Max. Load bearing: 260KG	
Product Size: 1618*1300*650mm	
Package Size: 1480*711*226mm	
Net Weight: 89.5Kg±1.0Kg	
Gross Weight: 95Kg±1.0Kg	
Color: Black & Silver	

Material:

High quality carbon steel & Tempered glass

The castors are 4" with foot brake



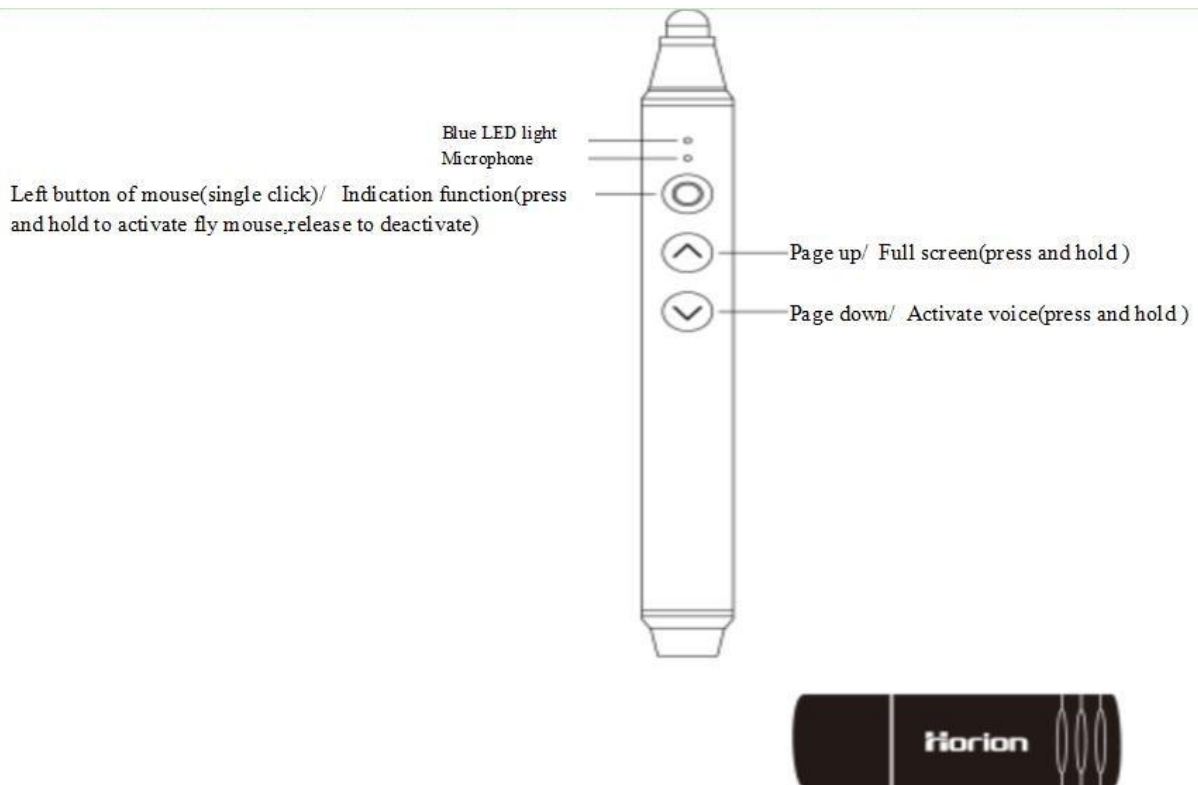
Product Model: Smart Pen HP-2



一、Hardware specifications

Item	Description
Wireless technology	RF 2.4GHZ, Max.15m in open environment
Mouse	Smart anti-shaking algorithm: Six-axis air mouse
Power	200mAh polymer lithium battery, operating voltage: 3.7-4.2V Power charging interface: Micro USB
Compatible interfaces	USB3.0/2.0/1.1 supported
System requirement	Windows7/8/VISTA/2000/XP, Mac OS 10.0 and updated versions, Android 4.0 and updated versions, fly mouse and page turning functions are supported only in Android/Mac OS/Linux

二、Functions



Function Description
1、LED light: ① For operation status: it comes on when a button is pressed; ② For low voltage status: it flashes quickly in low battery; ③ For charging status: it flashes slowly during charging; ④ For fully charged status: it is solid on when the battery is fully charged;)
2、Left button of the mouse (single click), fly mouse (press and hold to activate fly mouse, release to deactivate fly mouse)
3、Page up (press once to turn one page up) / full screen, exit (press & hold to go to full screen, press & hold again to exit full screen)
4、Page down (press once to turn one page down), voice (press and hold to active voice, release to deactivate voice)
5、Receiver

Product Model: Wireless Mirroring Device HT-2



一、 Specifications

1、 Basic specifications

Transmission protocols	Customized protocol, AirPlay
Compatibility	Windows7/8/10, Android5.0 and above versions, iOS 9.0 and above versions, Mac OSX10.8 and above versions
Wireless protocol	802.11AC
Drive	Not required
Frequency band	5G (2.4G compatible)
Delay	Average delay 150ms (mouse delay <55ms)
Resolution	1080P max.
FPS	30fps max.
Transmission range	>15m@1080p
Sound	Synchronized A/V
Touch post-back	10-point touch post-back supported
Mouse post-back	Supported
Capacity	8 terminals
Encryption	WPA2 PSK

2、 Software specifications

Main function	After pairing, a symbol for screen mirroring is displayed at the top left of the flat-panel display, click it to switch to screen mirroring.
PPT page turning	Gesture operation, built-in icon operation, easy and convenient
Android screen mirroring	Mirror screen of Android cell phone and pad to a large screen
Windows screen mirroring	Mirror Windows PC screen to a large screen
Mac book screen mirroring	Mirror Mac book screen to a large screen
Video pushing	Push videos to a large screen, the volume and progress can be controlled on the original screen)
Music pushing	Push music to a large screen, the volume and progress can be controlled on the original screen



6500068 | 6500532



www.halifatoll.gov.mv



info@halifatoll.gov.mv



Ha. Atoll Council

Shariul Ameen
Ha. Dhidhdhoo

Corporate Affairs Section

6500125, 6500126

Image pushing	Push images to a large screen, the images can be zoomed in real time on the original screen
Camera	The camera on the phone can be shared in real-time

3、Specifications of mirroring device

Supporting system	Windows7/8/9, Mac OS10
Transmission delay	Average <150ms, generally <120ms
Power consumption	DC 5V/500mA
Frequency band	5GHZ/2.4GHZ
Wireless transmission protocols	802.11a/ac/b/g/n
Connection method	USB2.0/3.0
Mode of operation	One key mirroring

4、Indicator lights

The blue light flashes	When it is inserted into the flat-panel display and is pairing When it is inserted into PC and is connecting to the flat-panel display
The blue light is on in high illuminance	When it is inserted into the flat-panel display and software update on the flat-panel display is finished, and it can be removed from the display When it is inserted into PC and the connection between the PC and flat-panel display has been established and mirroring is available
The blue light is on in low illuminance	When it is mirroring