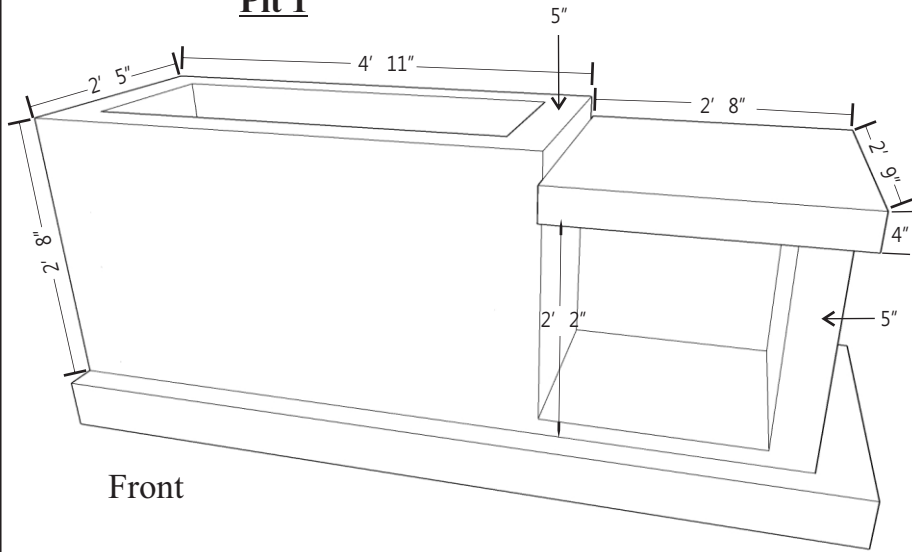


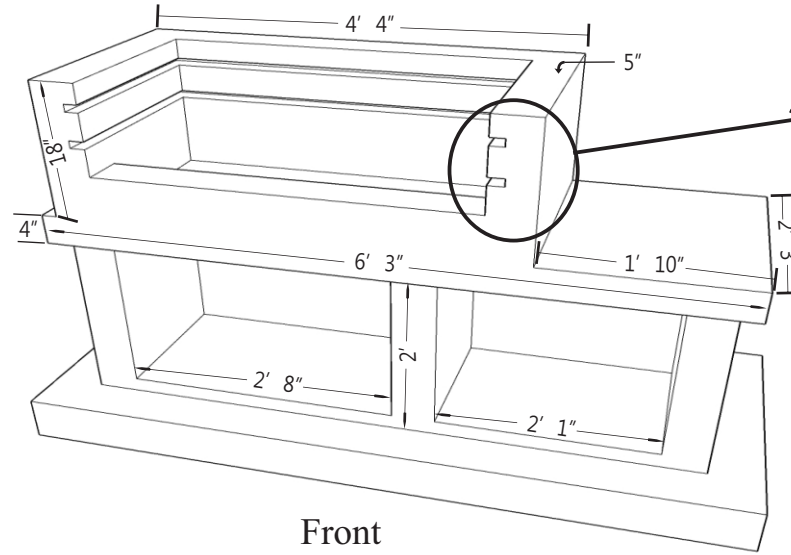
1 SHOWER DETAIL
A01 Not To Scale

Pit 1

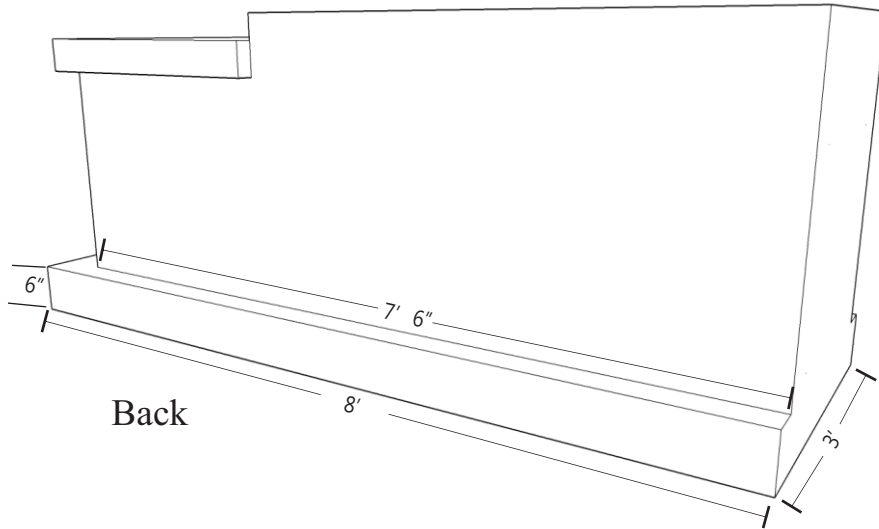
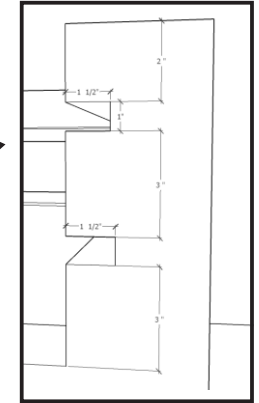


Front

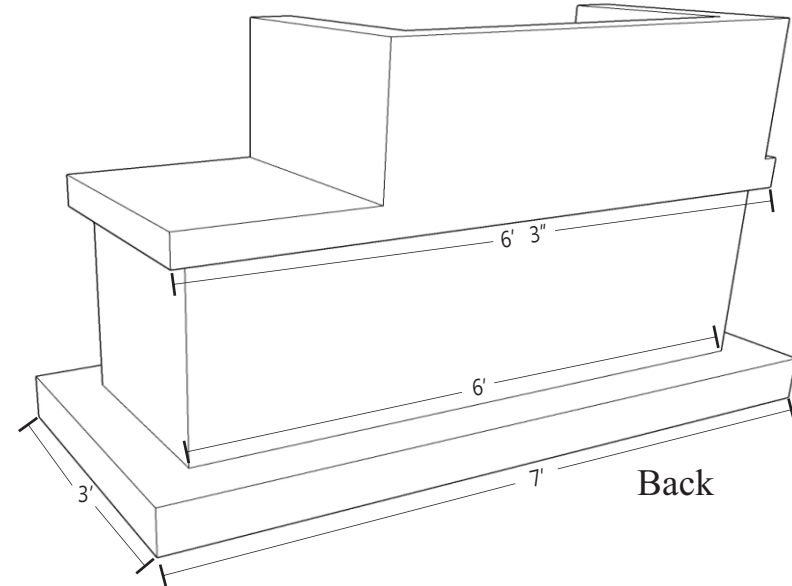
Pit 2



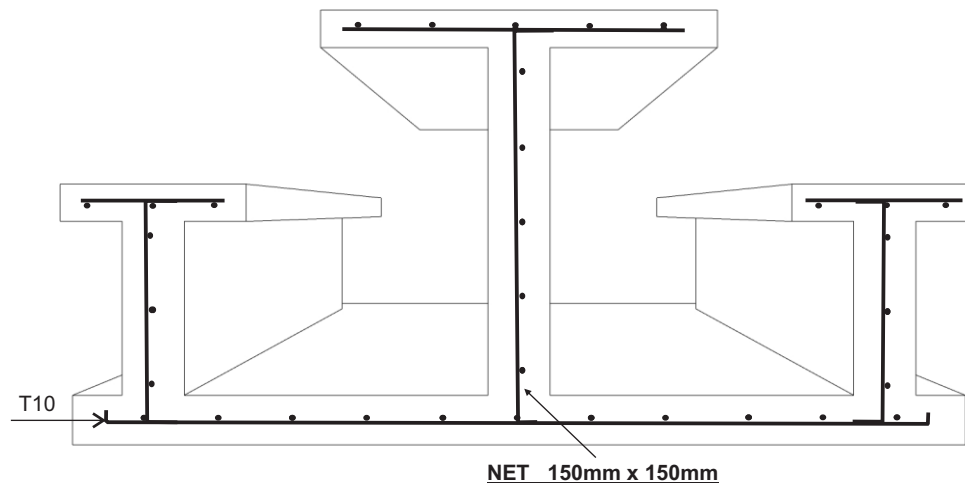
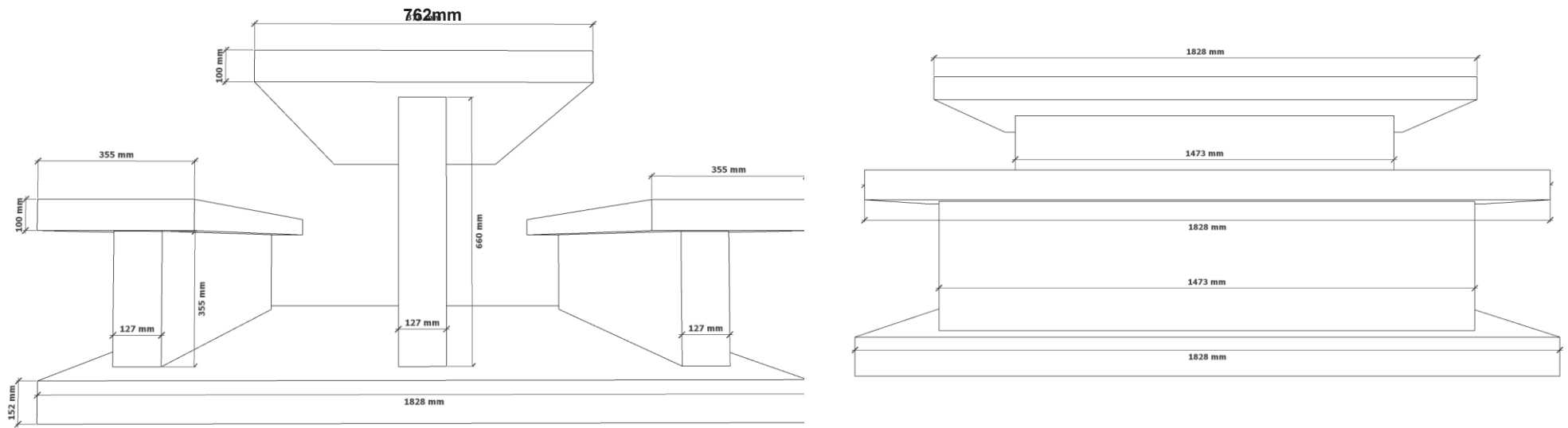
Front



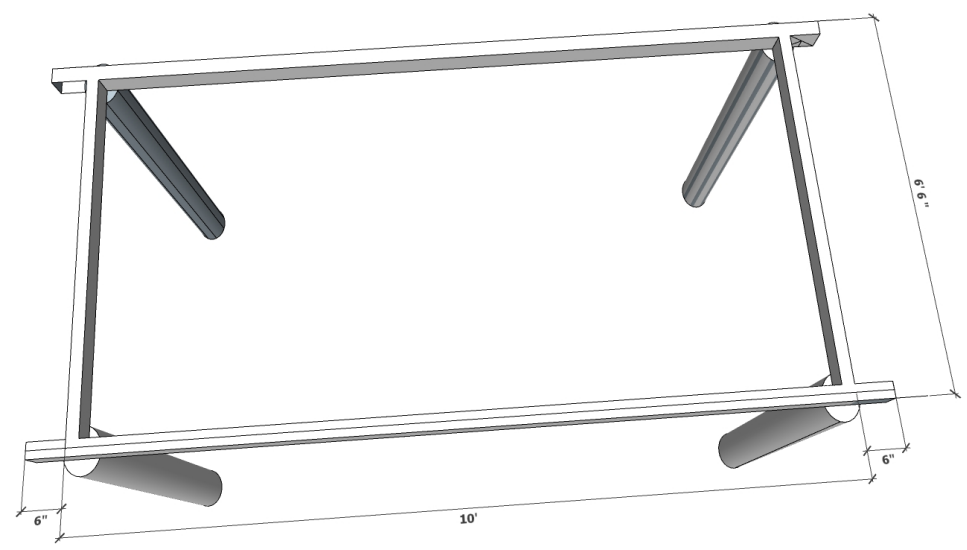
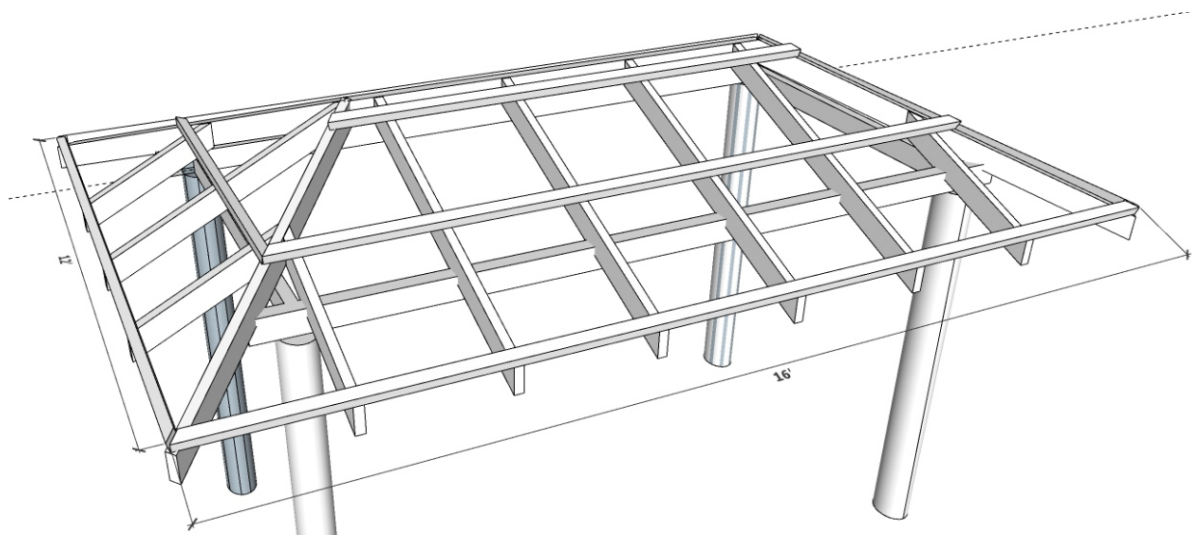
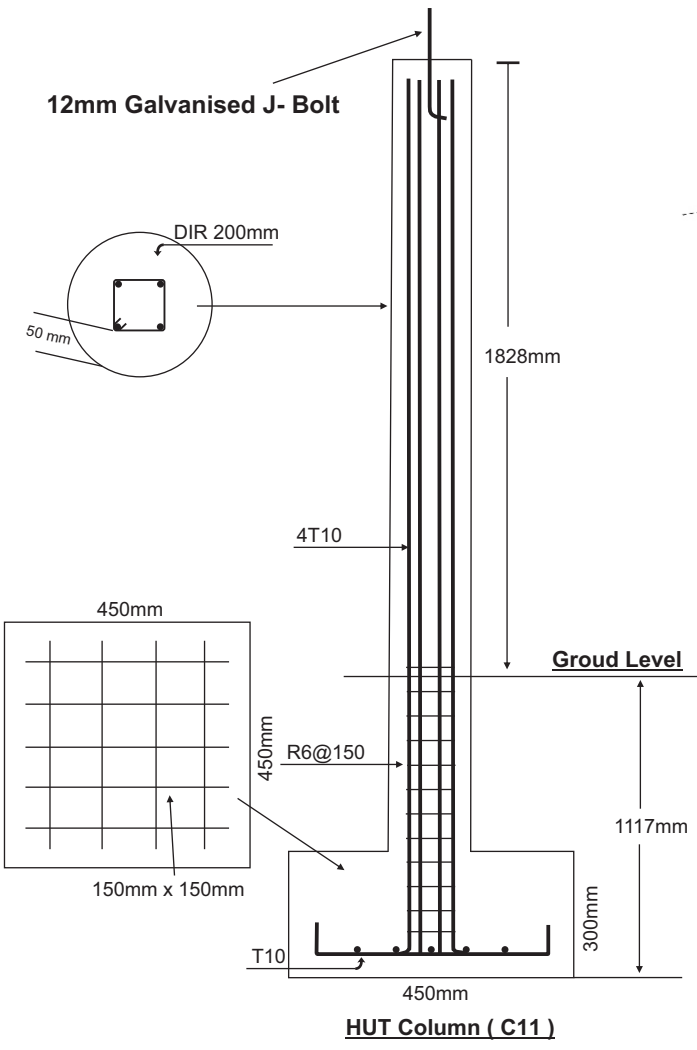
Back



Back



1 BANCH DETAIL
A07 Not To Scale



1 HUT DETAIL
A08 Not To Scale