

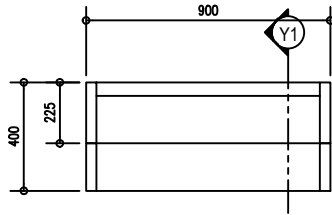
Procurement of Furniture for Authentic Maldives Outlet in AA. Thoddoo

All specifications are stated in minimum terms, except where ranges, approximations, maximum levels, or exactitudes are stated.

No	Description	Quantity
1	Ladder shelf	4
2	Peg board	1
3	Jewellery board	1
4	Low cabinet display type 1	2
5	Low cabinet display type 2	12
6	Floating shelf cloths hanger	1
7	Cloths hanger from ceiling	2
8	Window Seating high table	1
9	Display box	2
10	Display box (Small Size)	9
11	Cashier counter With Rolling Chair	1
12	Planter box	1
13	Seating tables	5
14	Dining Chairs	10
15	Dining Chairs (high, for window seating)	4
16	Wall Display as per Drawing	1

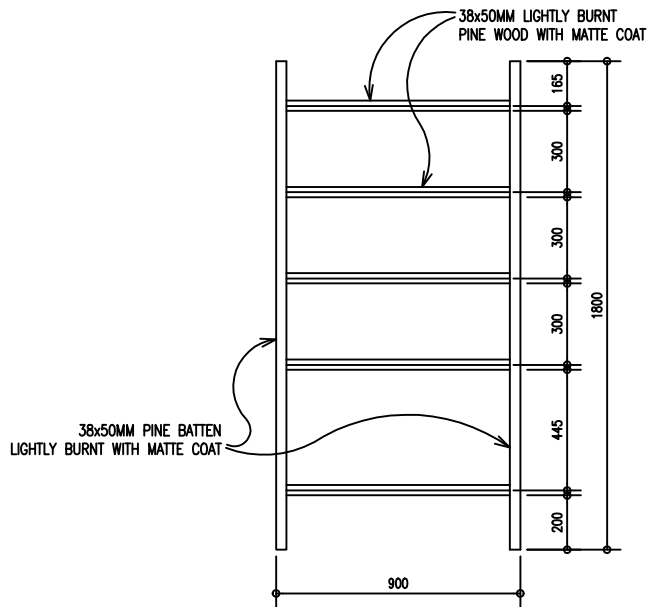
**PROPOSED AUTHENTIC MALDIVES OUTLET AT
AA. THODDOO**

INTERIOR DRAWINGS



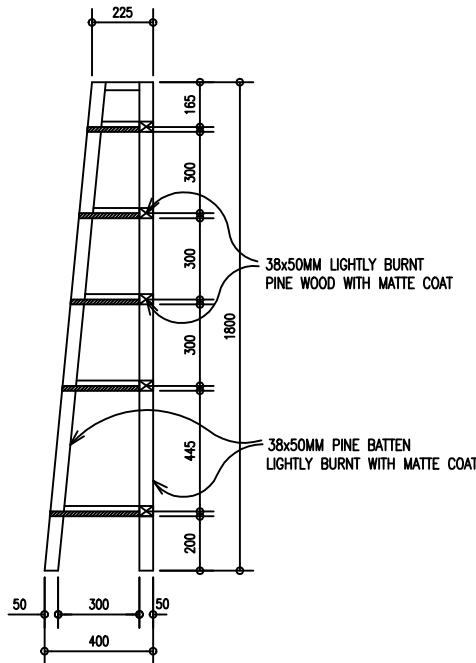
LADDER SHELF TYPE-1 DETAIL - PLAN

SCALE 1:20



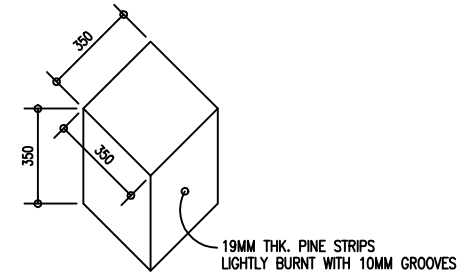
LADDER SHELF TYPE-1 ELEVATION - E1

SCALE 1:20



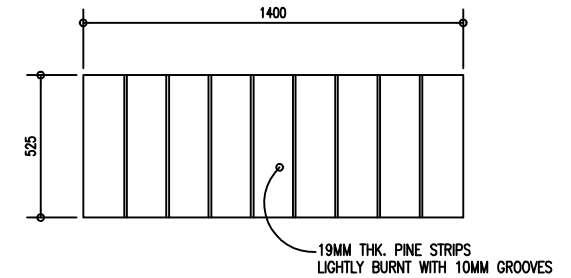
LADDER SHELF TYPE-1 SECTION - Y1

SCALE 1:20



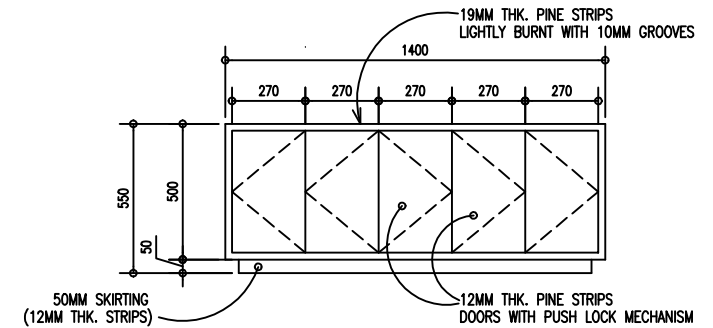
SMALL BOX DISPLAY ON TOP OF LOW CABINET

SCALE 1:20



LOW CABINET DISPLAY (TYPE-2) - PLAN

SCALE 1:20



LOW CABINET DISPLAY - ELEVATION E3

SCALE 1:20

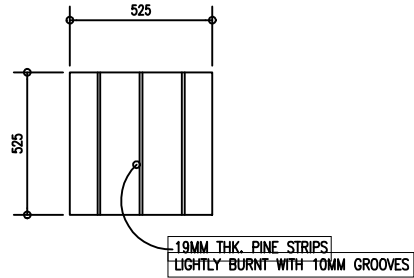
CONTRACTORS MUST CHECK ALL DIMENSIONS ON SITE BEFORE STARTING ANY WORK OR SHOP DRAWINGS FIGURED DIMENSIONS TO TAKE PRECEDENCE OVER SCALE READINGS

REVISION:	ARCHITECT: -
	ENGINEER: -
	ARC. CHECKER: -
	STR. CHECKER: -
	DRAWN BY: ASFAN AHMED

PROJECT:	PROPOSED AUTHENTIC MALDIVES OUTLET @ AA. THODDOO	
LOCATION:	AA. THODDOO, MALDIVES	
DRAWING TITLE:	AS GIVEN	
CLIENT:	-	
SCALE:	DIMENSION: MM	DATE: MARCH 2023

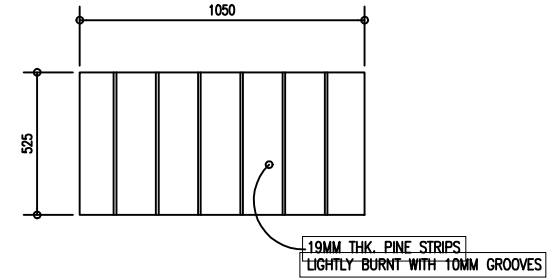
ID-03

DWG NO
PROJECT NO.: 23-000



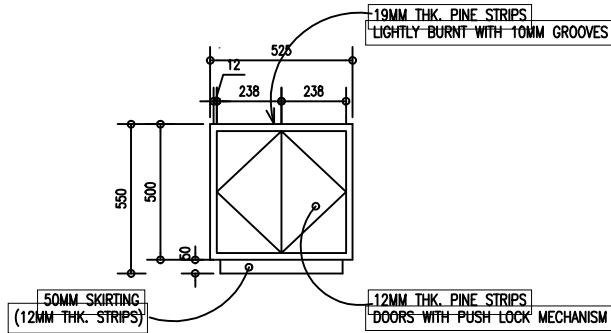
DISPLAY BOX- PLAN

SCALE 1:20



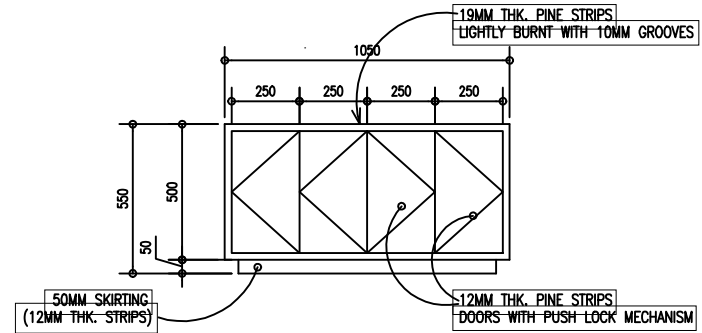
LOW CABINET DISPLAY (TYPE-1) - PLAN

SCALE 1:20



DISPLAY BOX- ELEVATION

SCALE 1:20



LOW CABINET DISPLAY - ELEVATION E3

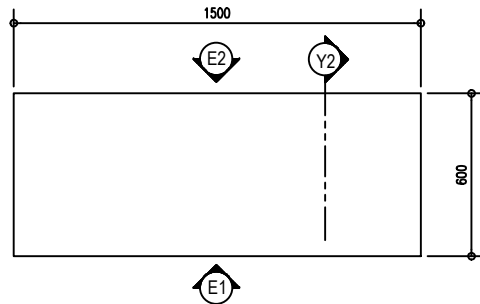
SCALE 1:20

CONTRACTORS MUST CHECK ALL DIMENSIONS ON SITE BEFORE STARTING ANY WORK OR SHOP DRAWINGS. FIGURED DIMENSIONS TO TAKE PRECEDENCE OVER SCALE READINGS

REVISION:	ARCHITECT: -	PROJECT: PROPOSED AUTHENTIC MALDIVES OUTLET @ AA. THOODOO
	ENGINEER: -	LOCATION: AA. THOODOO, MALDIVES
	ARC. CHECKER: -	DRAWING TITLE: AS GIVEN
	STR. CHECKER: -	CLIENT: -
	DRAWN BY: ASFAN AHMED	SCALE: AS GIVEN DIMENSION: MM DATE: MARCH 2023

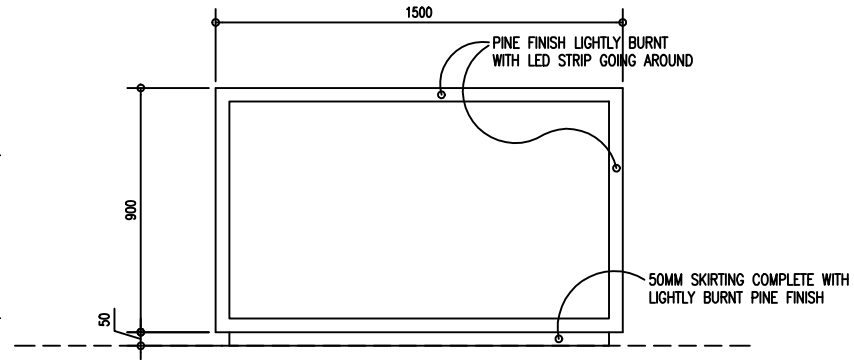
ID-04

DWG NO PROJECT NO.: 23-000



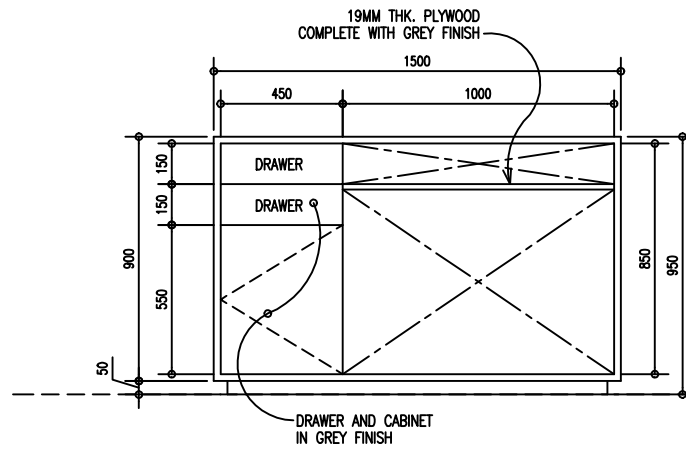
CASH COUNTER - PLAN

SCALE 1:20



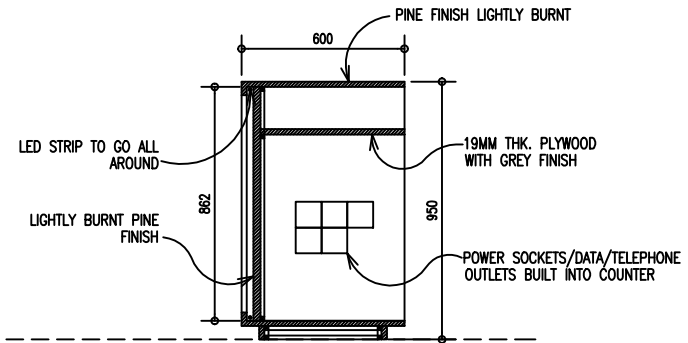
CASH COUNTER - FRONT ELEVATION E1

SCALE 1:20



CASH COUNTER - BACK ELEVATION E2

SCALE 1:20



CASH COUNTER SECTION - Y2

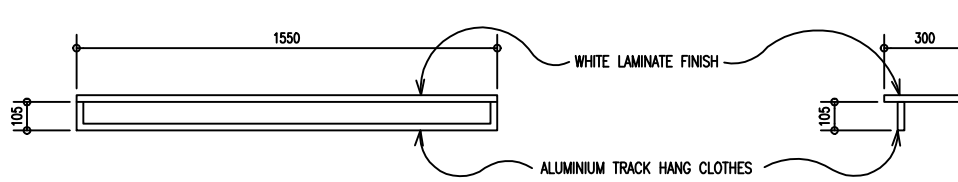
SCALE 1:20

CONTRACTORS MUST CHECK ALL DIMENSIONS ON SITE BEFORE STARTING ANY WORK OR SHOP DRAWINGS. FIGURED DIMENSIONS TO TAKE PRECEDENCE OVER SCALE READINGS

REVISION:	ARCHITECT: -
	ENGINEER: -
	ARC. CHECKER: -
	STR. CHECKER: -
	DRAWN BY: ASFAN AHMED

PROJECT:	PROPOSED AUTHENTIC MALDIVES OUTLET @ AA. THODDOO		
LOCATION:	AA. THODDOO, MALDIVES		
DRAWING TITLE:	AS GIVEN		
CLIENT:	-		
SCALE:	AS GIVEN	DIMENSION: MM	DATE: MARCH 2023

ID-05
DWG NO
PROJECT NO.: 23-000

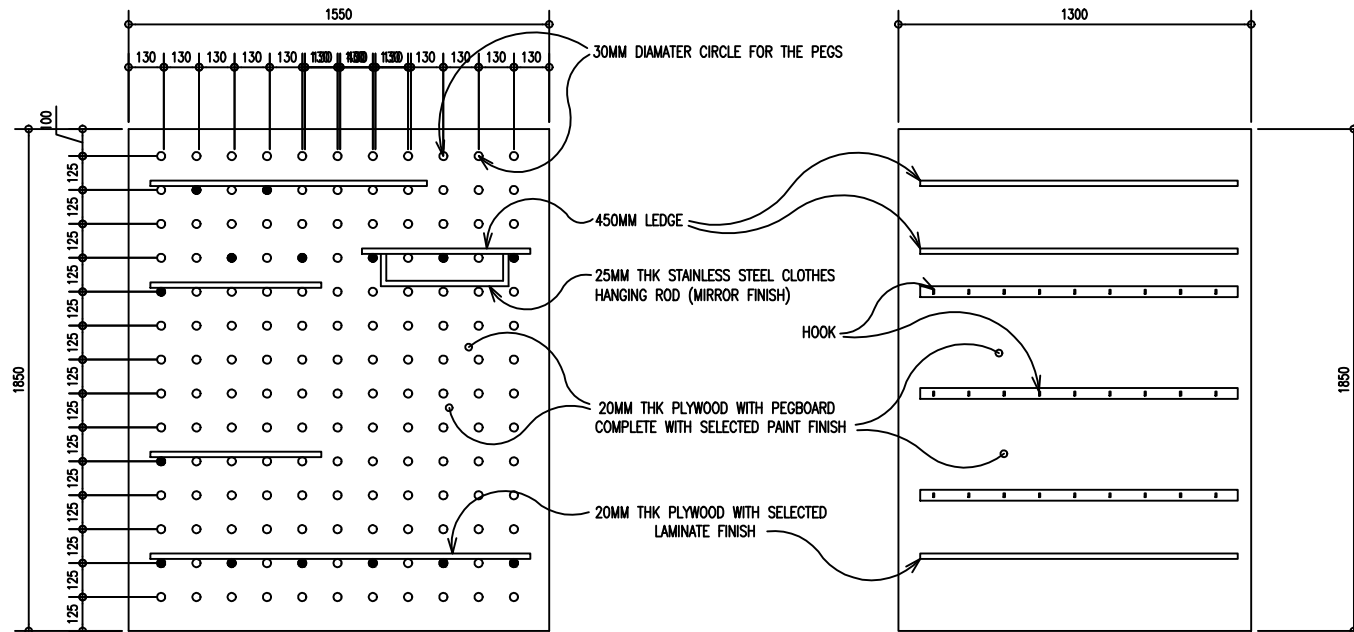


FLOATING SHELF CLOTHES HANGER - ELEVATION

SCALE 1:20

FLOATING SHELF CLOTHES HANGER - SECTION

SCALE 1:20



PEG BOARD - ELEVATION

SCALE 1:20

JEWELLERY BOARD - ELEVATION

SCALE 1:20

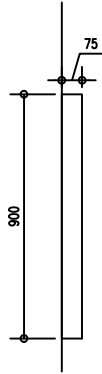
CONTRACTORS MUST CHECK ALL DIMENSIONS ON SITE BEFORE STARTING ANY WORK OR SHOP DRAWINGS. FIGURED DIMENSIONS TO TAKE PRECEDENCE OVER SCALE READINGS

REVISION:	ARCHITECT:	-
	ENGINEER:	-
	ARC. CHECKER:	-
	STR. CHECKER:	-
	DRAWN BY:	ASFAN AHMED

PROJECT:	PROPOSED AUTHENTIC MALDIVES OUTLET @ AA. THOODOO	
LOCATION:	AA. THOODOO, MALDIVES	
DRAWING TITLE:	AS GIVEN	
CLIENT:	-	
SCALE:	DIMENSION: MM	DATE: MARCH 2023

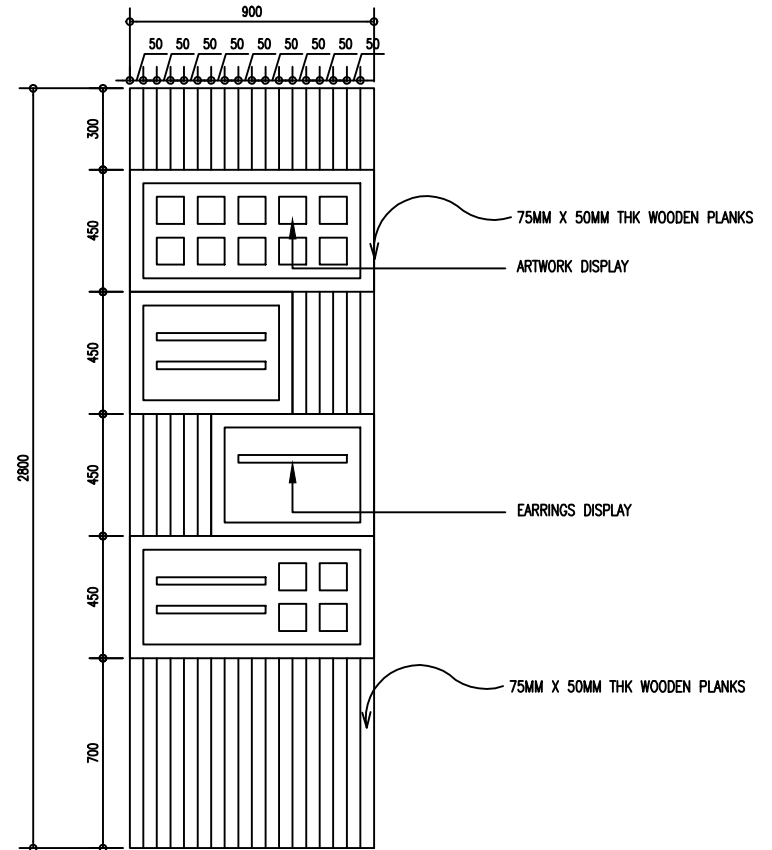
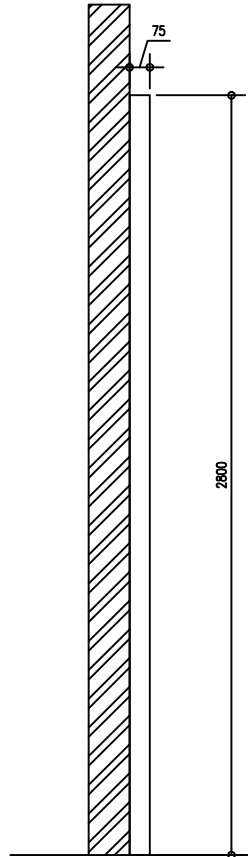
ID-06

DWG NO
PROJECT NO. : 23-000



PLAN - WALL DISPLAY

SCALE 1:20



ELEVATION - WALL DISPLAY

SCALE 1:20

CONTRACTORS MUST CHECK ALL DIMENSIONS ON SITE BEFORE STARTING ANY WORK OR SHOP DRAWINGS. FIGURED DIMENSIONS TO TAKE PRECEDENCE OVER SCALE READINGS

REVISION:	ARCHITECT: -	PROJECT: PROPOSED AUTHENTIC MALDIVES OUTLET @ AA, THODDODU	ID-11
	ENGINEER: -	LOCATION: AA, THODDODU, MALDIVES	
	ARC. CHECKER: -	DRAWING TITLE: AS GIVEN	DWG NO
	STR. CHECKER: -	CLIENT: -	PROJECT NO.: 23-000
	DRAWN BY: ASFAN AHMED	SCALE: AS GIVEN	DIMENSION: MM
		DATE: MARCH 2023	



VIEW - 1



VIEW - 3