



Ministry of Economic Development and Trade
Male', Republic of Maldives

ދިވެހިސަރުކާރުގެ ގެޒެޓް ގައި ބަޔާންކޮށްފައިވާ ގޮތުގައި
މި ބަޔާނުގައި ބަޔާންކޮށްފައިވާ ގޮތުގައި

Procurement of Furniture for Authentic Maldives Outlet in AA. Thoddo

ADDENDUM FORM

Addendum Number: 01
Issued Date: 25th December 2023
Issued by: Maldives: Enhancing Employability and Resilience of Youth (MEERY) Project
Tender Number: (IUL)101-PMU/101/2023/17
Published Date: 17th December 2023
Original Deadline: 26th December 2023, 10:00am

Description: Procurement of Furniture for Authentic Maldives Outlet in AA. Thoddo.

Instructions: Amend your copy of the RFQ as detailed below. Please note that this addendum adds specification to the items listed below and extension of deadline for quotation submission. Sign and return this addendum with the quotation submission as confirmation that this addendum is taken into consideration.

Details of the Addendum:

This addendum is issued as follows.

1. Additional pictures are added after the Drawings in the RFQ as shown below.
2. Clause 10.1 of the RFQ is amended to read as follows.
3. 10.1 The deadline for submission of Quotations is 4th January 2024 at 10:00hrs.
4. Clause 11.1 of the RFQ is amended to read as follows.
5. Quotations will be opened by the Purchaser's representatives in the presence of the Bidders' designated representatives who chose to attend at the address below on 4th January 2024 at 10:00hrs.

Ministry of Economic Development and Trade
Velaanaage 11th Floor
Ameer Ahmed Magu
Male' Maldives.
Attn: Mr. Mohamed Nabeel Ahmed
Project Director
Tel: +960 3323668

All other terms and conditions remain unchanged except the above. This addendum is taken into consideration and the bidder has reflected the required changes in the relevant parts of the RFQ document.



Bidders are requested to submit the signed form with signature and seal.

Name of the Bidder:

Signature and Seal.....

1. (Item no 7) Cloth hanger from ceiling



Dimension: 1000mm in length

Diameter of wooden bar - 35mm (Support from rafters)

2. (Item no- 8 & 15) Details for window seating high table and high chair

Length of the table - 3800mm, Height of the table -900mm

Height of the table from floor to seat -650mm





-4-

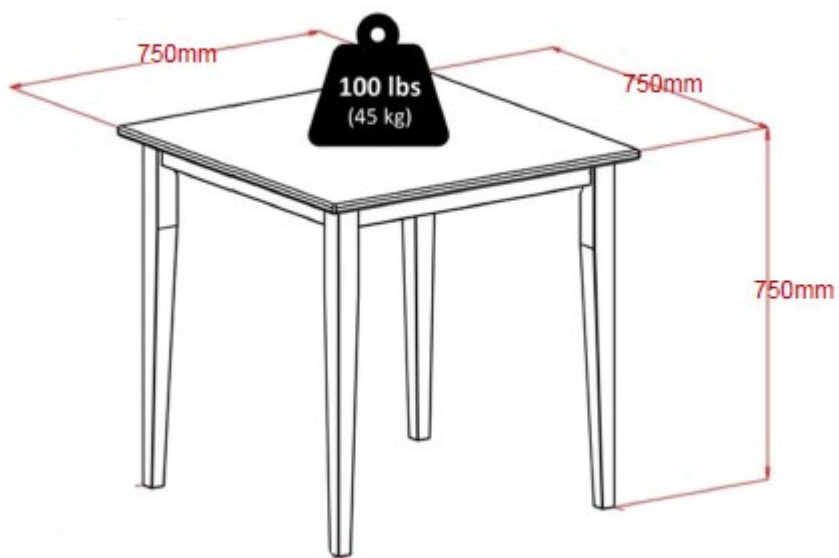
3. (Item no -12) Planter Box

Dimension- 450mmx450mmx450mm





4. (Item no- 13) Details of Seating tables





5 . (Item no- 14) Details of Dining Chairs

