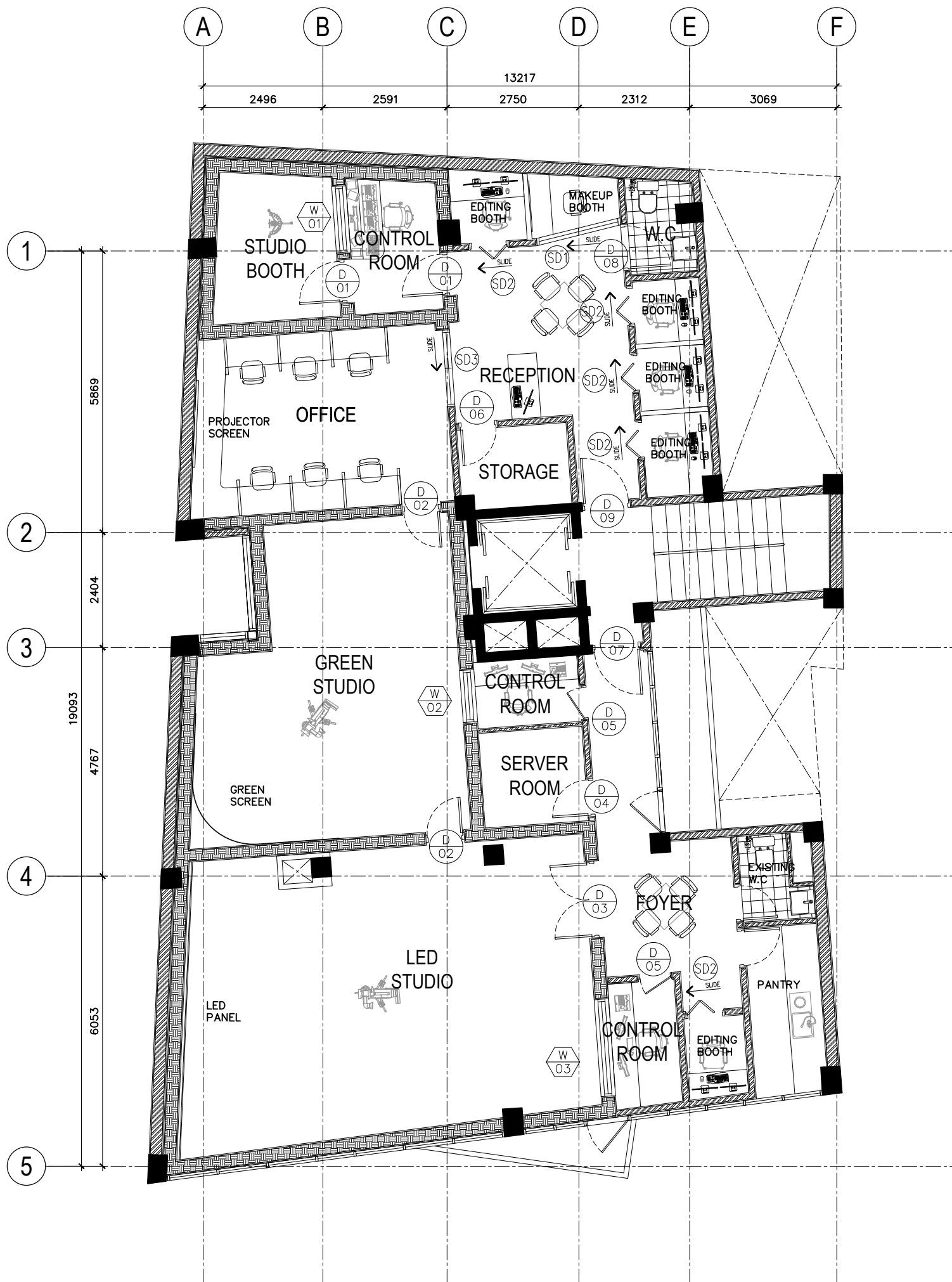


COMMENTS:

DATE DETAILS



1 LAYOUT PLAN
 A.XX.XX SCALE 1 : 100

ISSUE OF DRAWING
 14-OCT-2023
CONSTRUCTION

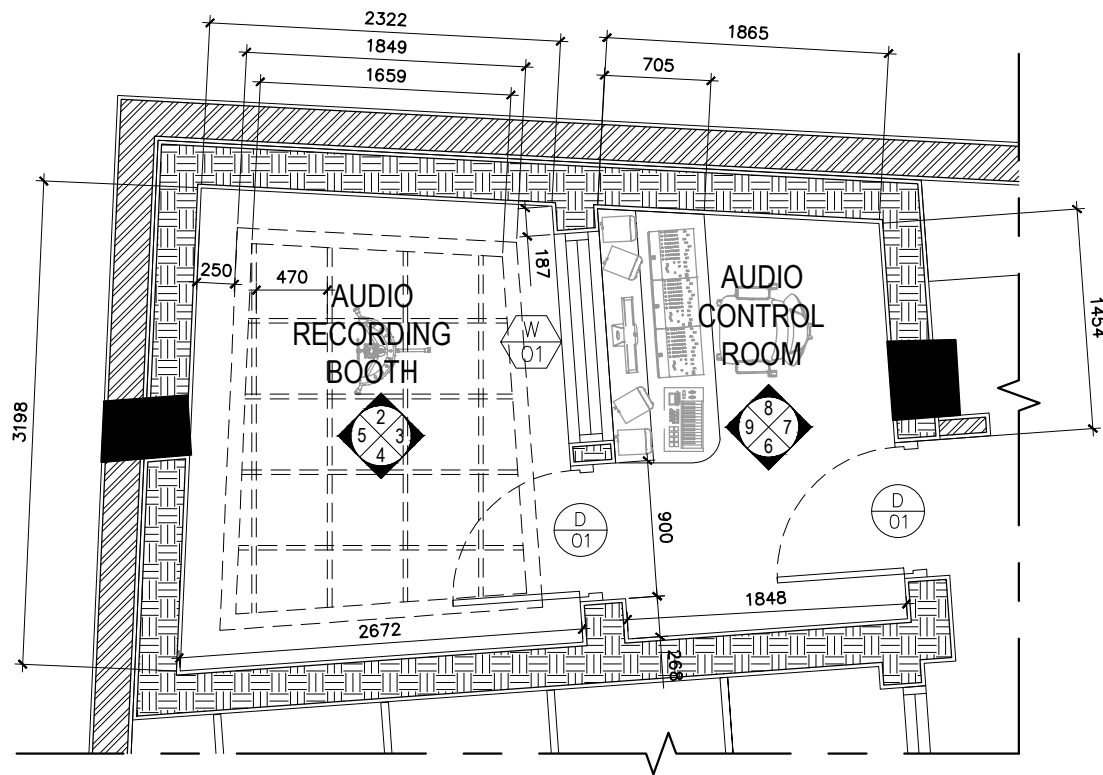
COPYRIGHTS RESERVED
 CONTRACTORS MUST CHECK ALL DIMENSION ON SITE ONLY FIGURED DIMENSIONS ARE TO BE WORKED FROM. DISCREPANCIES MUST BE REPORTED IMMEDIATELY TO DESIGNER BEFORE PROCEEDING

PROJECT TITLE :
 MBN LAYOUT

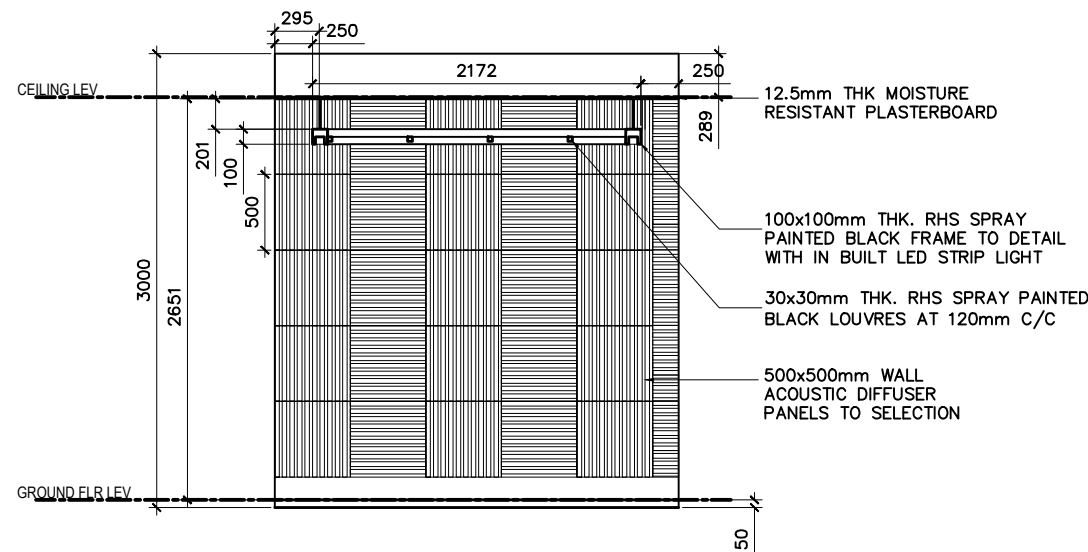
DRAWN BY :	SH
CLIENT :	BCC
DRAWING NAME :	LAYOUT PLAN
SCALE :	1: 100
ADDRESS :	MALE', MALDIVES.

SHEET :
A3

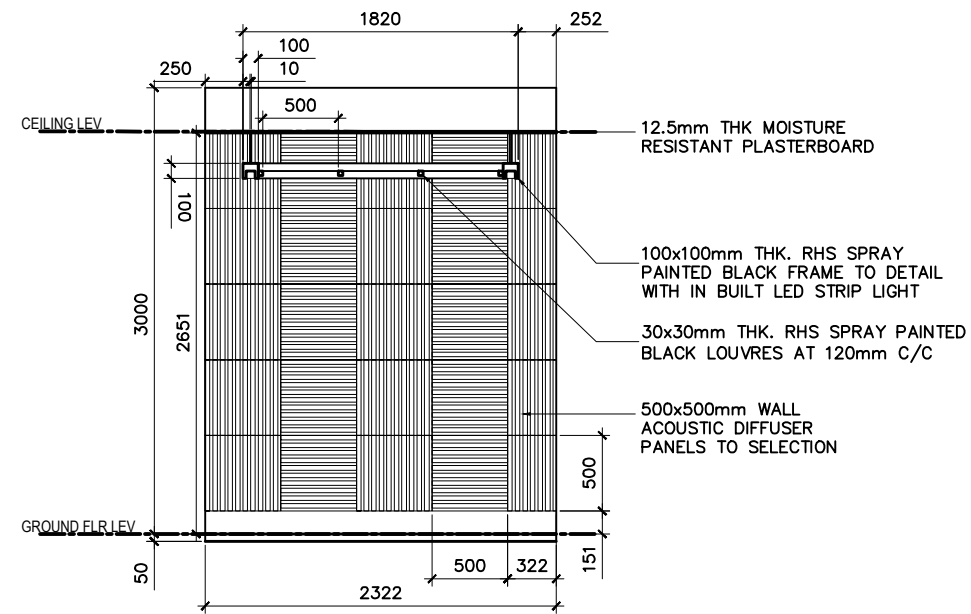
DRAWING NUMBER :
A.01.01



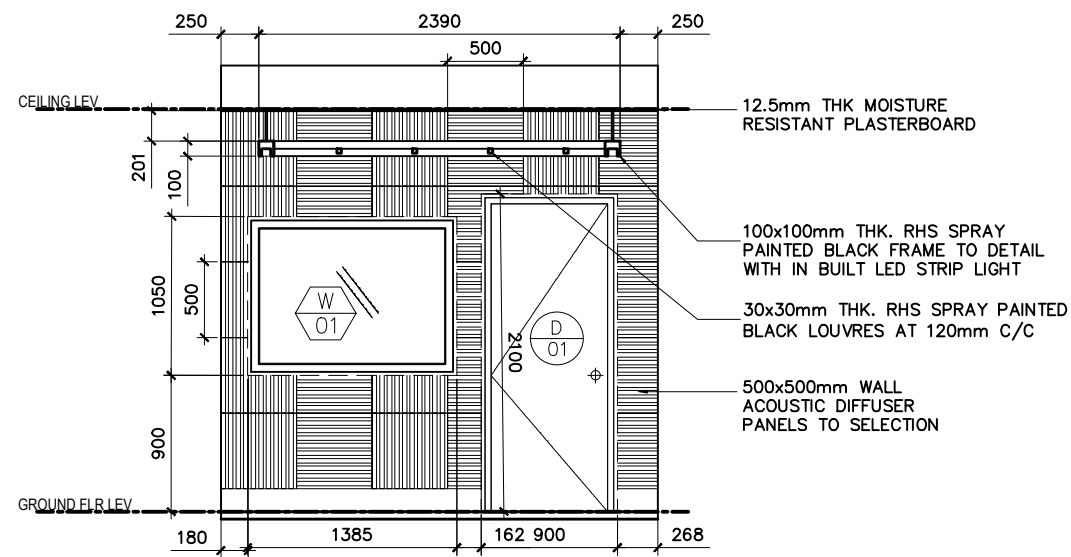
PLAN - AUDIO STUDIO
SCALE 1:50



4 SECTIONAL ELEVATION
SCALE 1:50



2 SECTIONAL ELEVATION
SCALE 1:50



3 SECTIONAL ELEVATION
SCALE 1:50

COMMENTS:

DATE DETAILS

ISSUE OF
DRAWING
14-OCT-2023
CONSTRUCTION

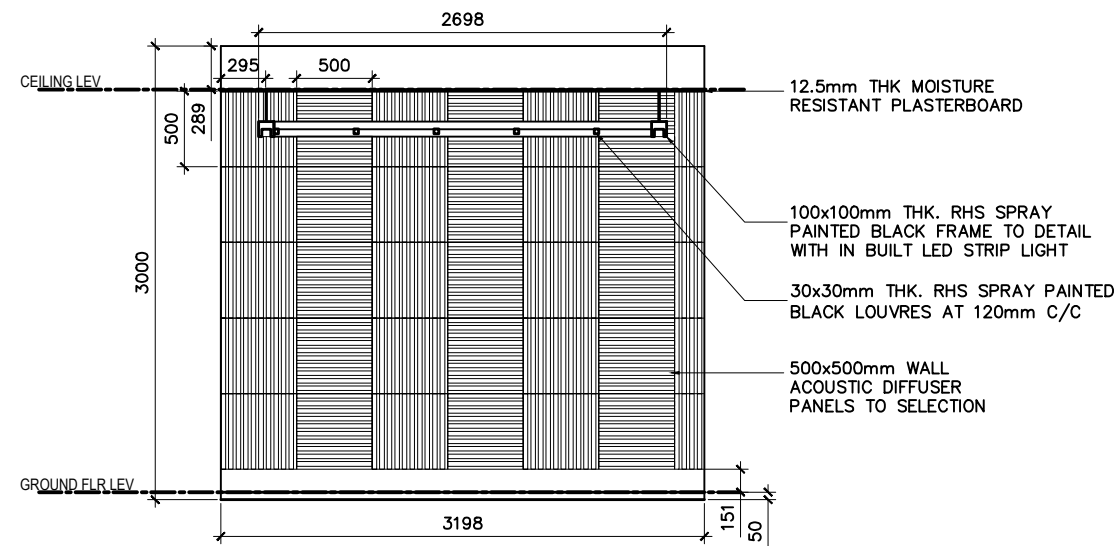
COPYRIGHTS RESERVED
CONTRACTORS MUST CHECK ALL DIMENSION ON SITE. ONLY FIGURED DIMENSIONS ARE TO BE WORKED FROM. DISCREPANCIES MUST BE REPORTED IMMEDIATELY TO DESIGNER BEFORE PROCEEDING

PROJECT TITLE :
MBN LAYOUT

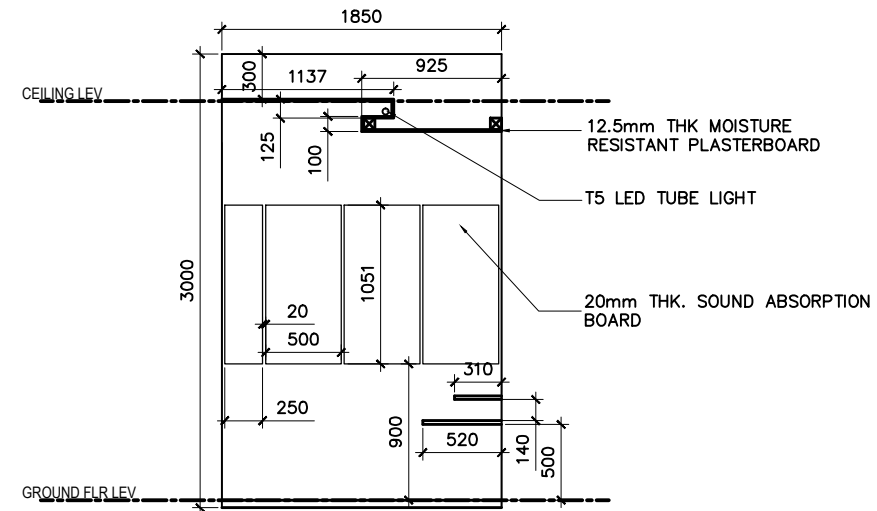
DRAWING INFO	
DRAWN BY :	SH
CLIENT :	BCC
DRAWING NAME :	AUDIO STUDIO DETAILS
SCALE :	1:50
ADDRESS :	MALE, MALDIVES.

SHEET :
A3

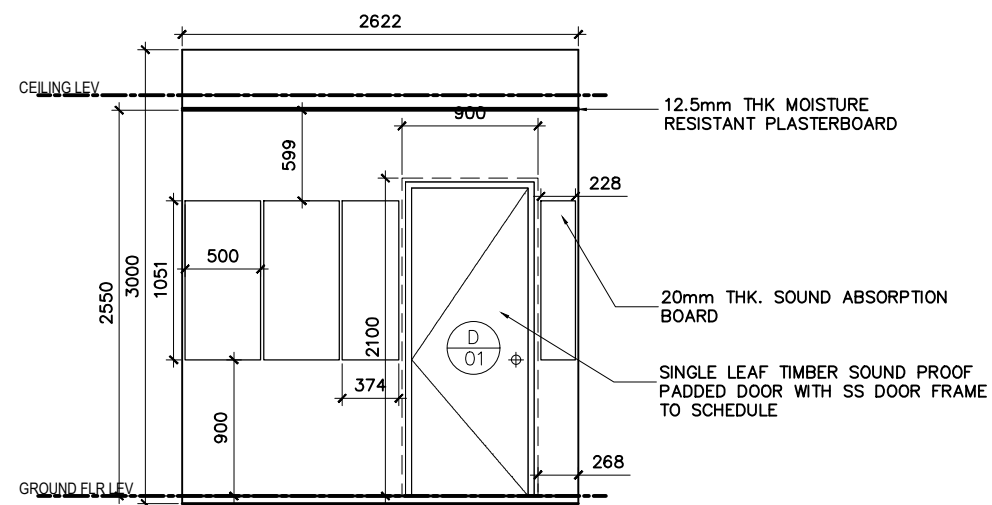
DRAWING NUMBER :
A.02.01



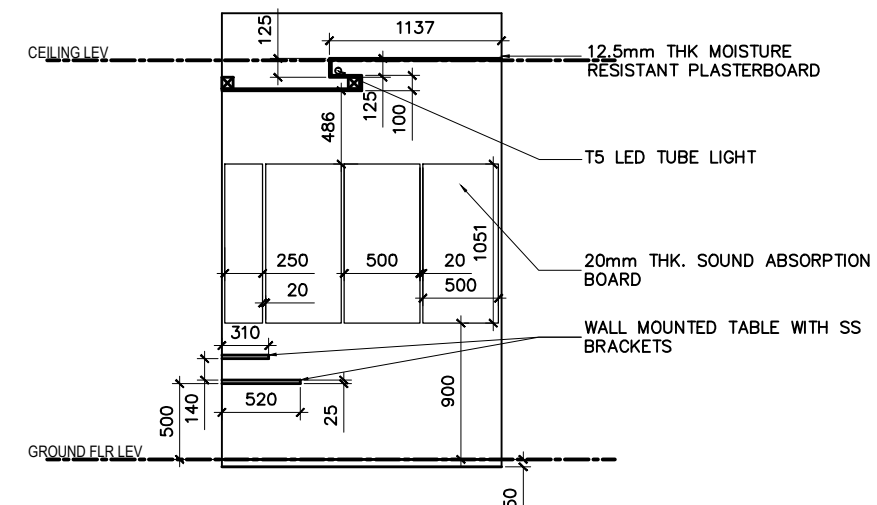
5 SECTIONAL ELEVATION
SCALE 1:50



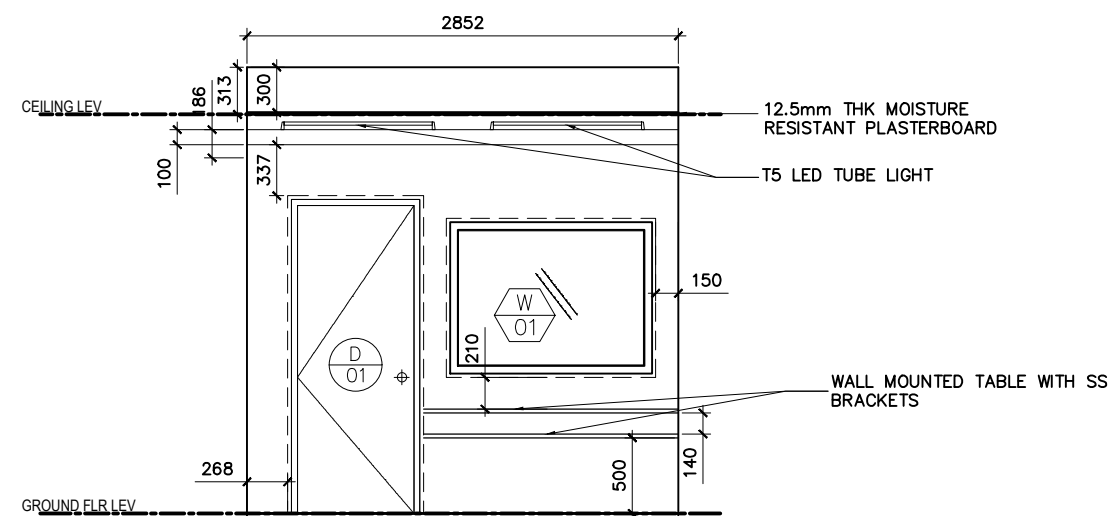
6 SECTIONAL ELEVATION
SCALE 1:50



7 SECTIONAL ELEVATION
SCALE 1:50



8 SECTIONAL ELEVATION
SCALE 1:50



9 SECTIONAL ELEVATION
SCALE 1:50

COMMENTS:

DATE DETAILS

ISSUE OF
DRAWING
14-OCT-2023
CONSTRUCTION

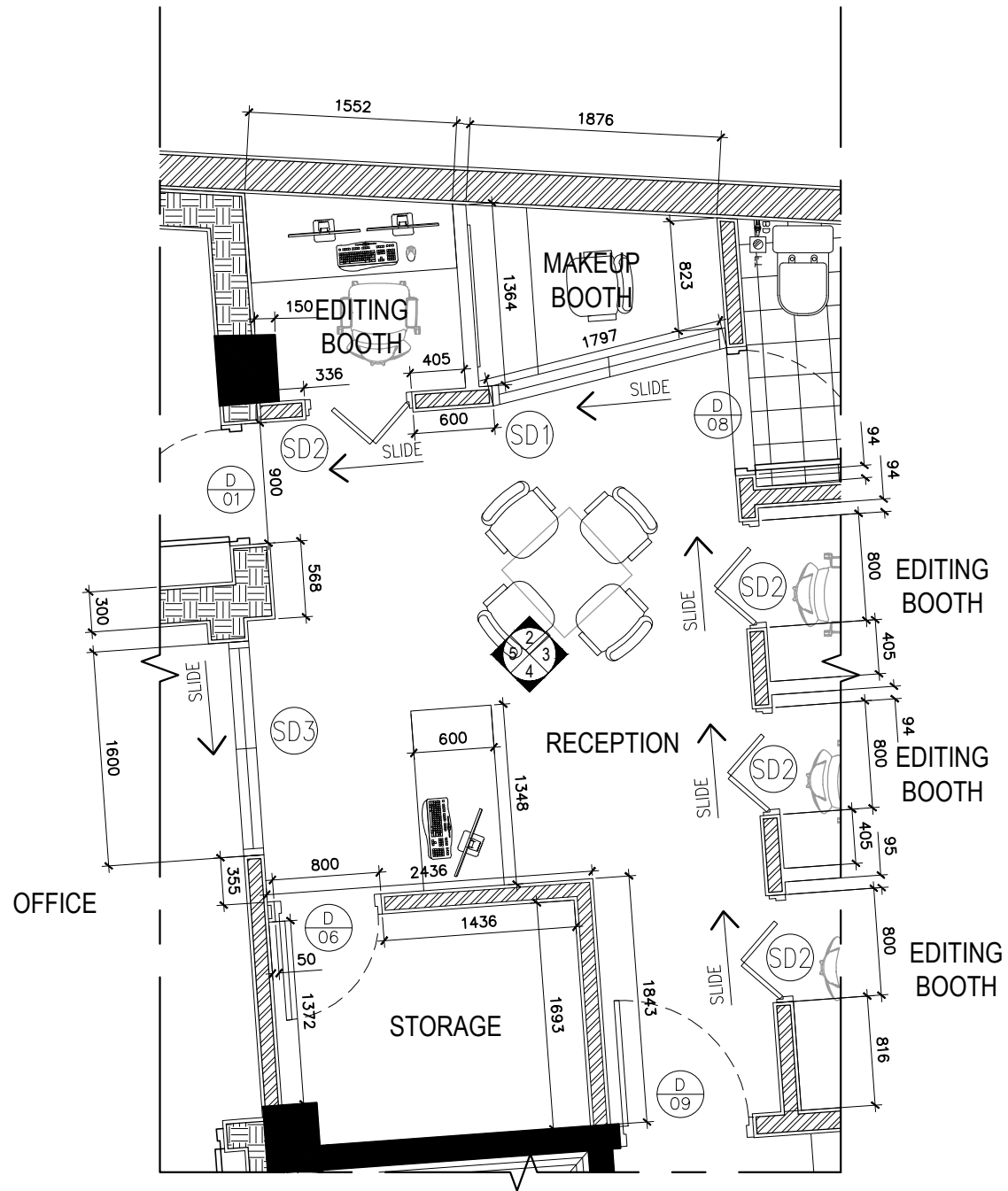
COPYRIGHTS RESERVED
CONTRACTORS MUST CHECK ALL DIMENSION ON SITE. ONLY FIGURED DIMENSIONS ARE TO BE WORKED FROM. DISCREPANCIES MUST BE REPORTED IMMEDIATELY TO DESIGNER BEFORE PROCEEDING

PROJECT TITLE :
MBN LAYOUT

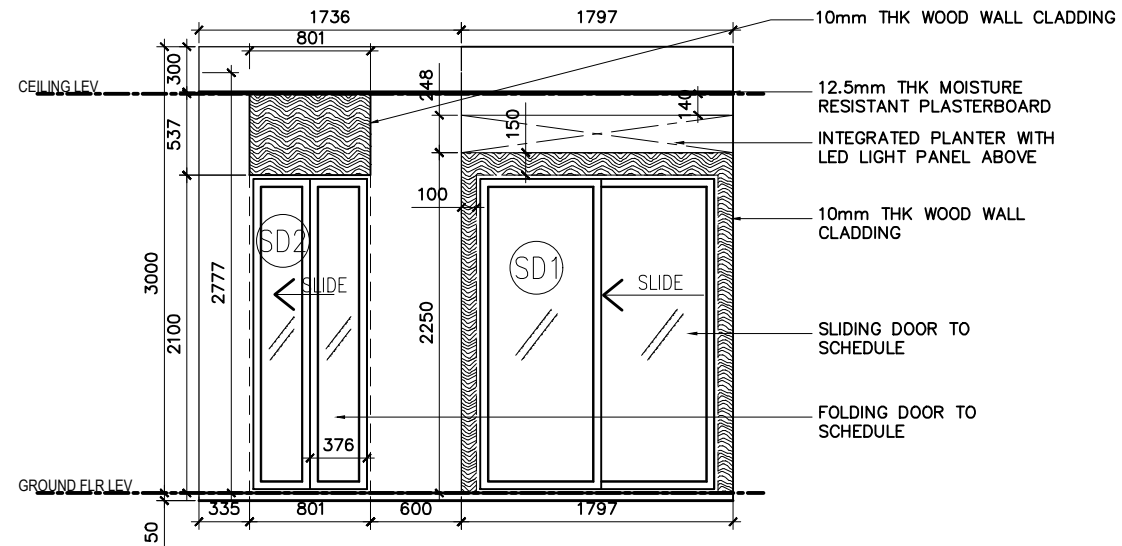
DRAWING INFO	
DRAWN BY :	SH
CLIENT :	BCC
DRAWING NAME :	AUDIO STUDIO DETAILS
SCALE :	1:50
ADDRESS :	MALE, MALDIVES.

SHEET :
A3

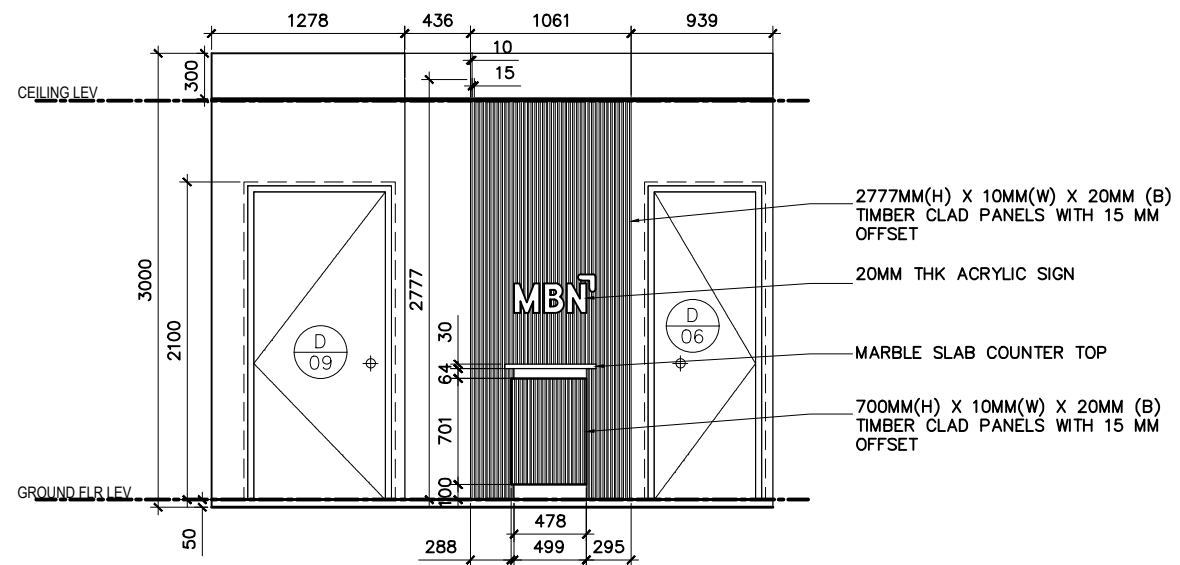
DRAWING NUMBER :
A.02.02



PLAN - RECEPTION AREA
SCALE 1:50



2 SECTIONAL ELEVATION
SCALE 1:50



4 SECTIONAL ELEVATION
SCALE 1:50

COMMENTS:

DATE DETAILS

ISSUE OF
DRAWING
14-OCT-2023
CONSTRUCTION

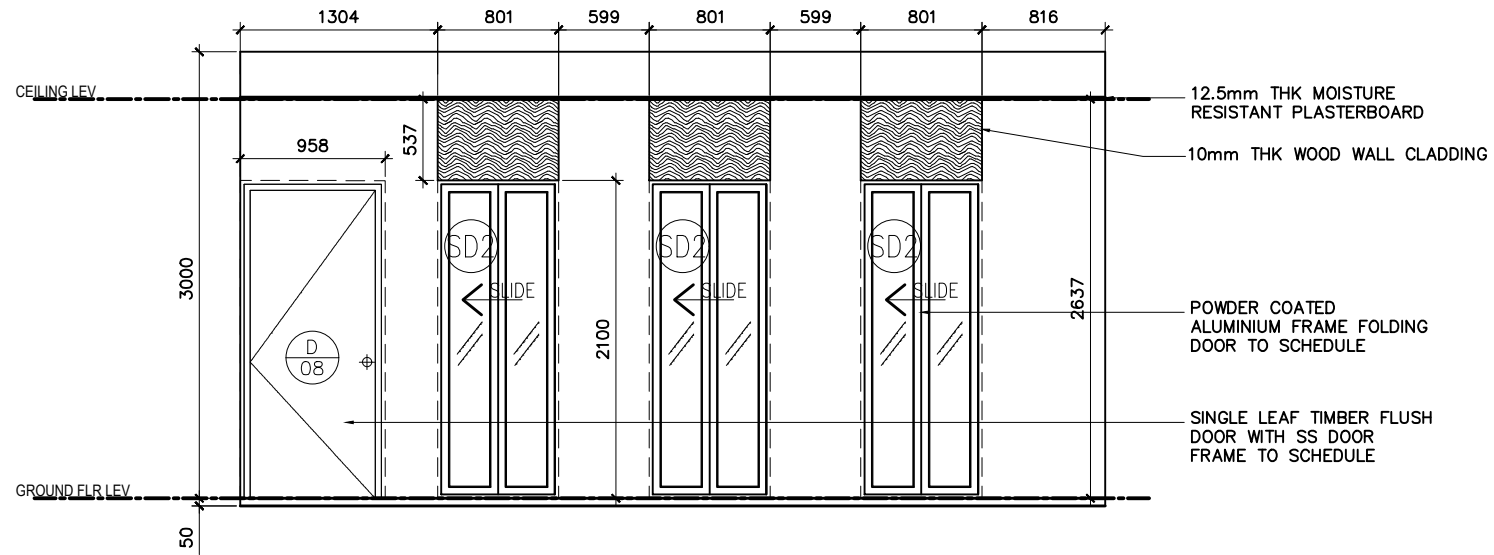
COPYRIGHTS RESERVED
CONTRACTORS MUST CHECK ALL DIMENSION ON SITE. ONLY FIGURED DIMENSIONS ARE TO BE WORKED FROM. DISCREPANCIES MUST BE REPORTED IMMEDIATELY TO DESIGNER BEFORE PROCEEDING

PROJECT TITLE :
MBN LAYOUT

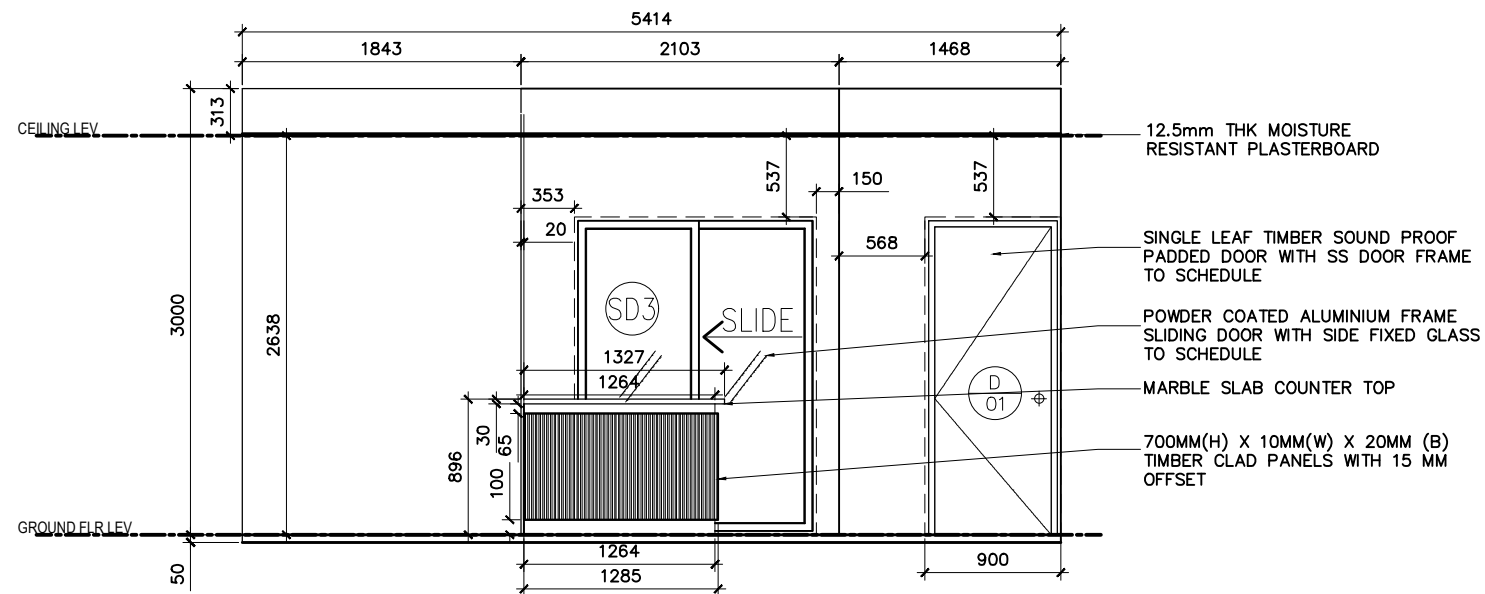
DRAWING INFO
DRAWN BY : SH
CLIENT : BCC
DRAWING NAME : RECEPTION DETAILS
SCALE : 1:50
ADDRESS : MALE, MALDIVES.

SHEET :
A3

DRAWING NUMBER :
A.03.01



3 SECTIONAL ELEVATION
SCALE 1:50



5 SECTIONAL ELEVATION
SCALE 1:50

COMMENTS:

DATE DETAILS

ISSUE OF
DRAWING
14-OCT-2023
CONSTRUCTION

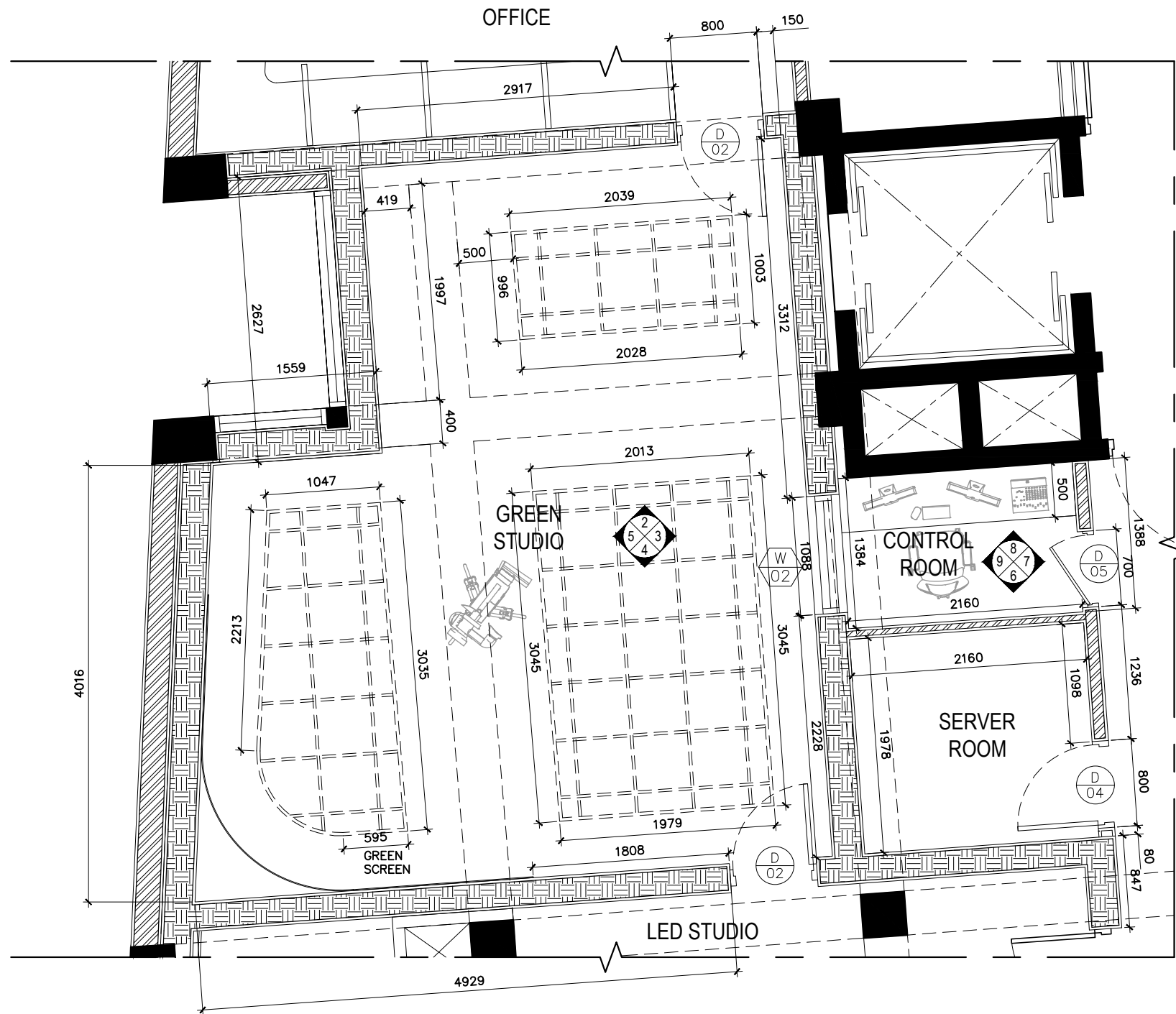
COPYRIGHTS RESERVED
CONTRACTORS MUST CHECK ALL DIMENSION ON SITE. ONLY FIGURED DIMENSIONS ARE TO BE WORKED FROM. DISCREPANCIES MUST BE REPORTED IMMEDIATELY TO DESIGNER BEFORE PROCEEDING

PROJECT TITLE :
MBN LAYOUT

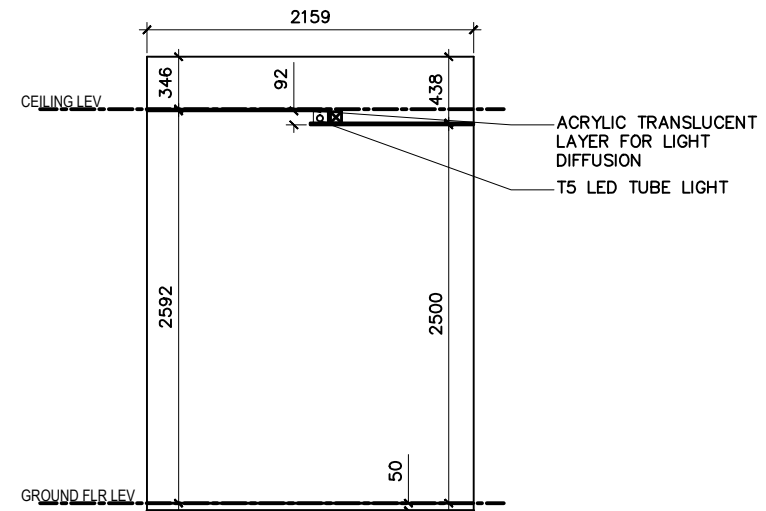
DRAWING INFO
DRAWN BY : SH
CLIENT : BCC
DRAWING NAME : RECEPTION DETAILS
SCALE : 1:50
ADDRESS : MALE, MALDIVES.

SHEET :
A3

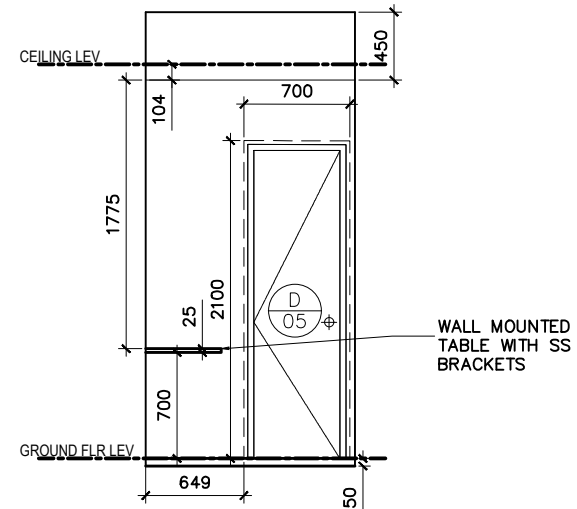
DRAWING NUMBER :
A.03.02



PLAN - GREEN STUDIO
SCALE 1 : 50



6 SECTIONAL ELEVATION
SCALE 1 : 50



7 SECTIONAL ELEVATION
SCALE 1 : 50

COMMENTS:

DATE DETAILS

ISSUE OF
DRAWING
14-OCT-2023
CONSTRUCTION

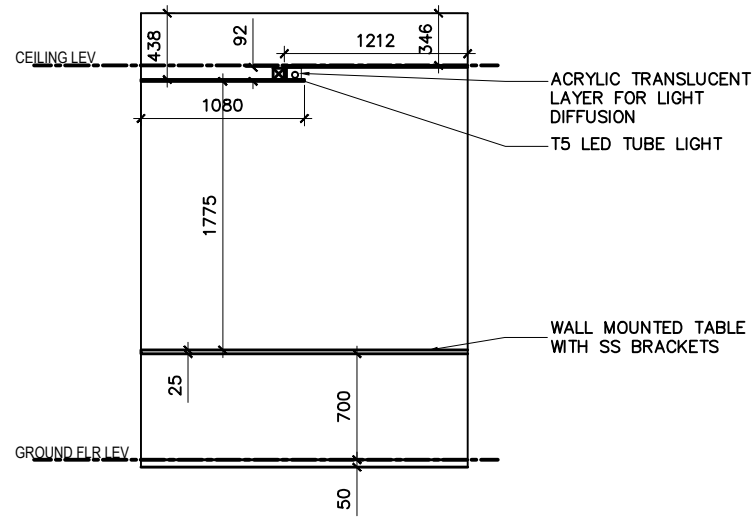
COPYRIGHTS RESERVED
CONTRACTORS MUST CHECK ALL DIMENSION ON SITE. ONLY FIGURED DIMENSIONS ARE TO BE WORKED FROM. DISCREPANCIES MUST BE REPORTED IMMEDIATELY TO DESIGNER BEFORE PROCEEDING

PROJECT TITLE :
MBN LAYOUT

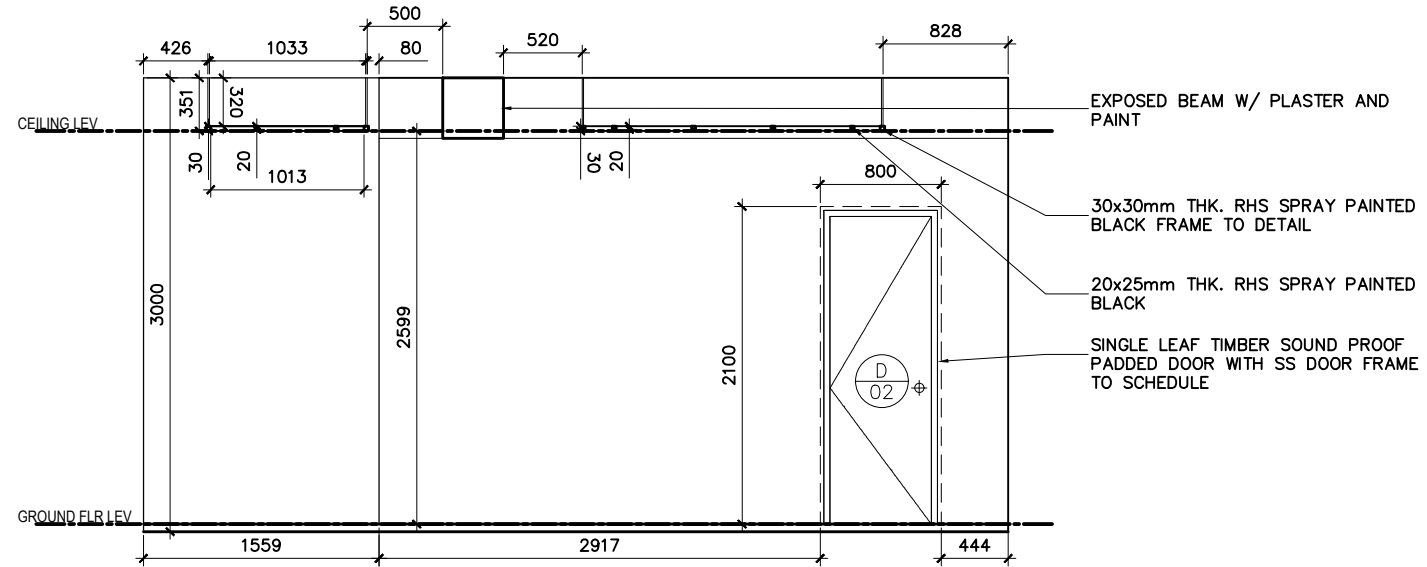
DRAWING INFO
DRAWN BY : SH
CLIENT : BCC
DRAWING NAME : GREEN STUDIO DETAILS
SCALE : 1 : 50
ADDRESS : MALE, MALDIVES.

SHEET :
A3

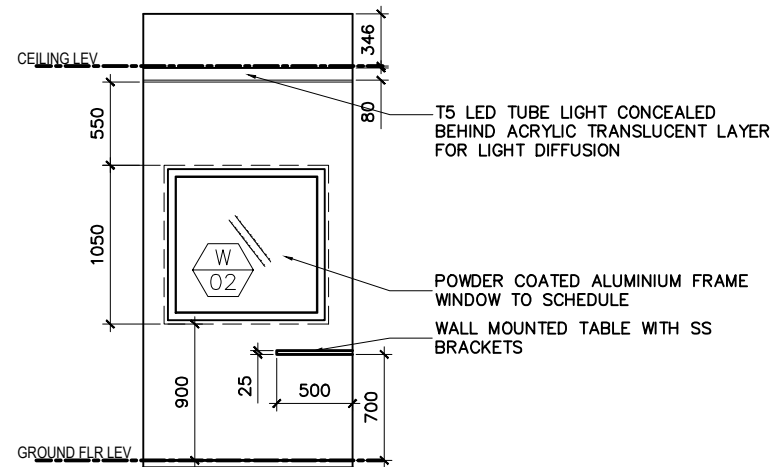
DRAWING NUMBER :
A.04.01



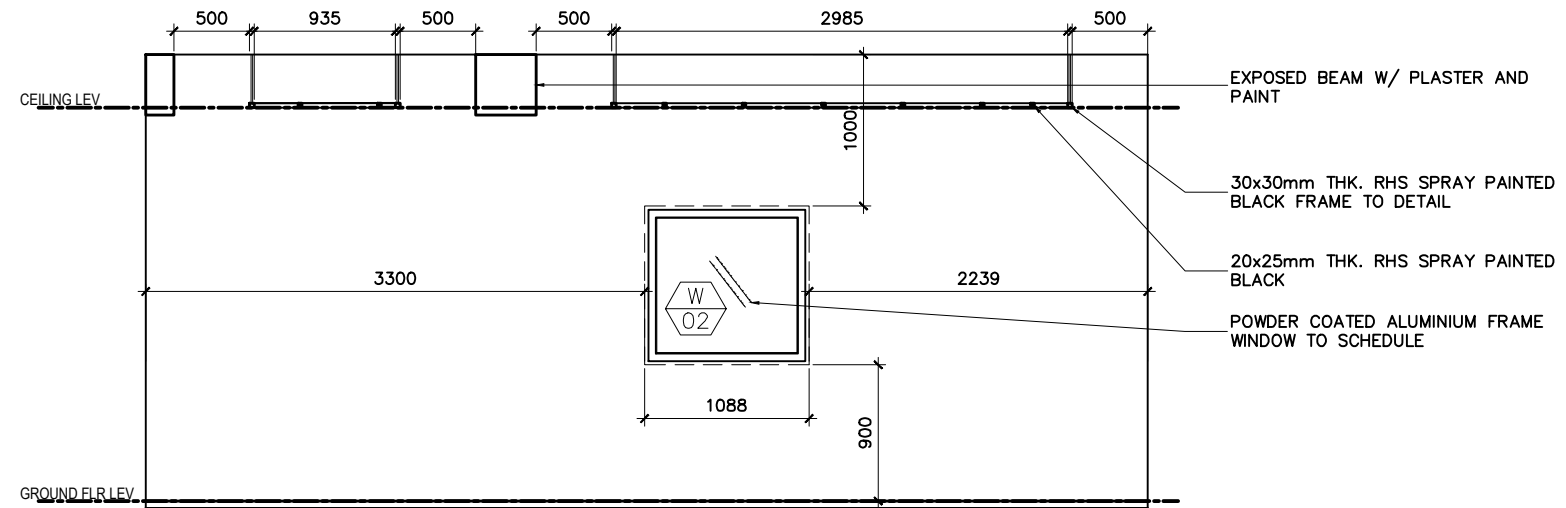
8 SECTIONAL ELEVATION
SCALE 1:50



2 SECTIONAL ELEVATION
SCALE 1:50



9 SECTIONAL ELEVATION
SCALE 1:50



3 SECTIONAL ELEVATION
SCALE 1:50

COMMENTS:	
DATE	DETAILS

ISSUE OF
 DRAWING
 14-OCT-2023
CONSTRUCTION

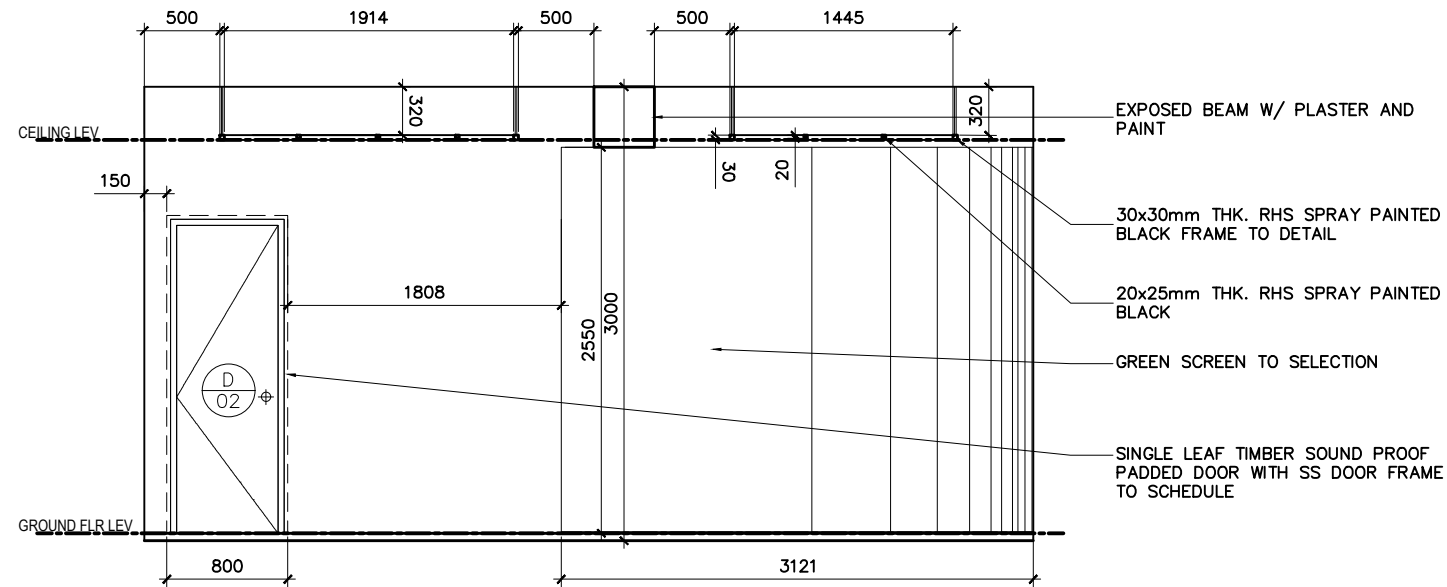
COPYRIGHTS RESERVED
 CONTRACTORS MUST CHECK ALL DIMENSION ON SITE. ONLY FIGURED DIMENSIONS ARE TO BE WORKED FROM. DISCREPANCIES MUST BE REPORTED IMMEDIATELY TO DESIGNER BEFORE PROCEEDING

PROJECT TITLE :
 MBN LAYOUT

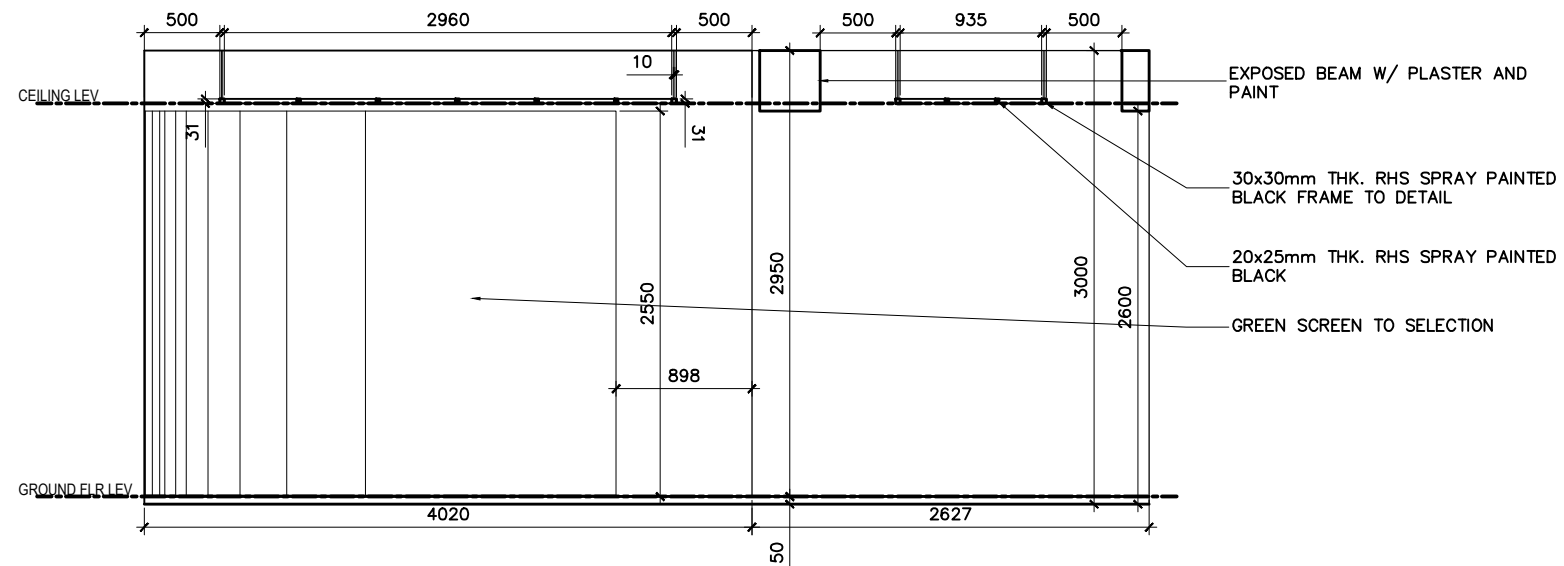
DRAWING INFO	
DRAWN BY :	SH
CLIENT :	BCC
DRAWING NAME :	GREEN STUDIO DETAILS
SCALE :	1:50
ADDRESS :	MALE, MALDIVES.

SHEET :
A3

DRAWING NUMBER :
A.04.02



4 SECTIONAL ELEVATION
SCALE 1:50



5 SECTIONAL ELEVATION
SCALE 1:50

COMMENTS:

DATE DETAILS

ISSUE OF
DRAWING
14-OCT-2023
CONSTRUCTION

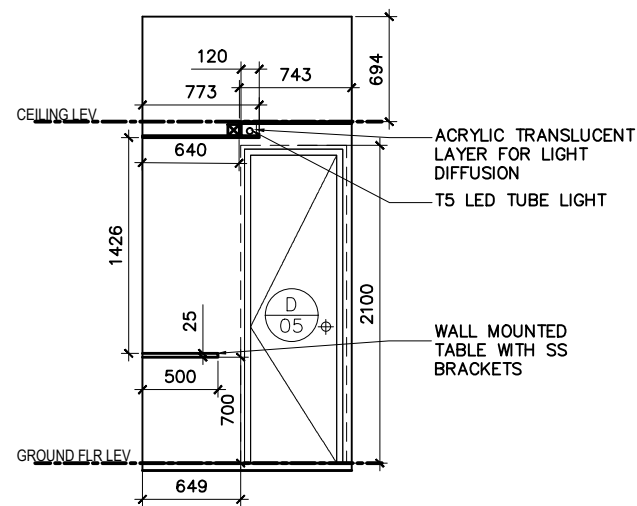
COPYRIGHTS RESERVED
CONTRACTORS MUST CHECK ALL DIMENSION ON SITE. ONLY FIGURED DIMENSIONS ARE TO BE WORKED FROM. DISCREPANCIES MUST BE REPORTED IMMEDIATELY TO DESIGNER BEFORE PROCEEDING

PROJECT TITLE :
MBN LAYOUT

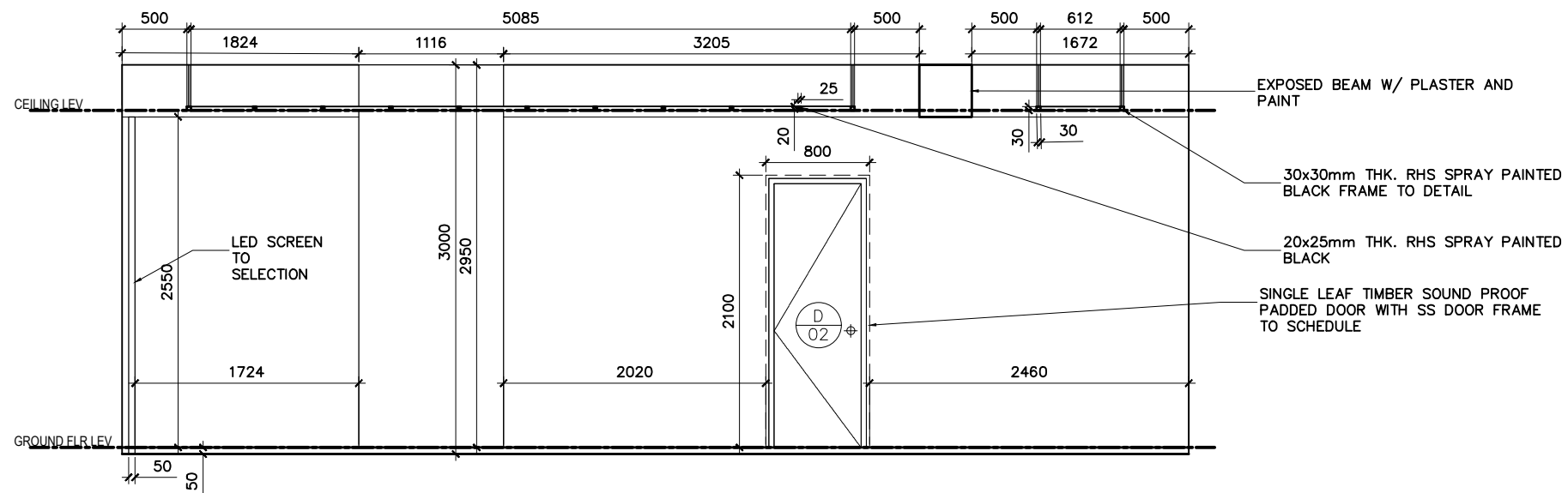
DRAWING INFO	
DRAWN BY :	SH
CLIENT :	BCC
DRAWING NAME :	GREEN STUDIO DETAILS
SCALE :	1:50
ADDRESS :	MALE, MALDIVES.

SHEET :
A3

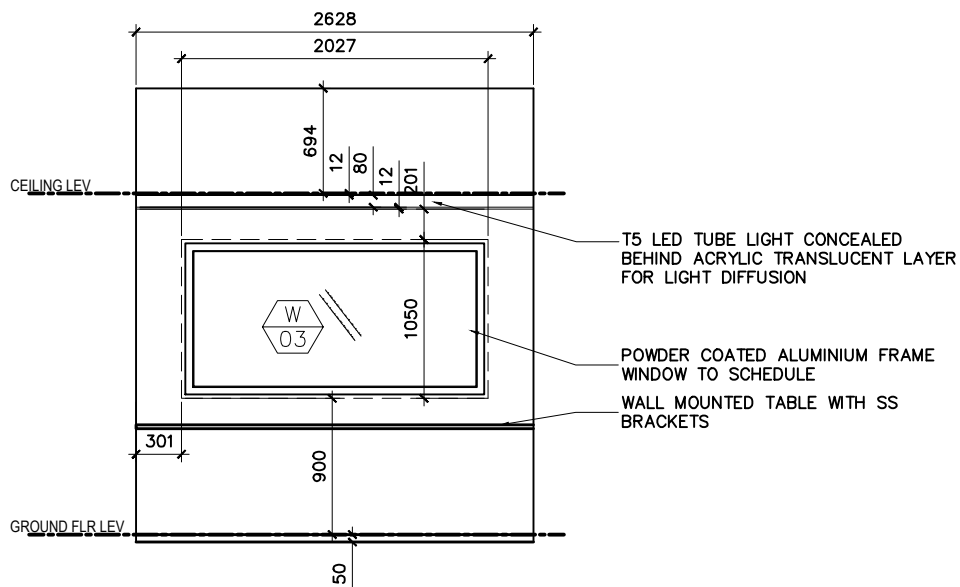
DRAWING NUMBER :
A.04.03



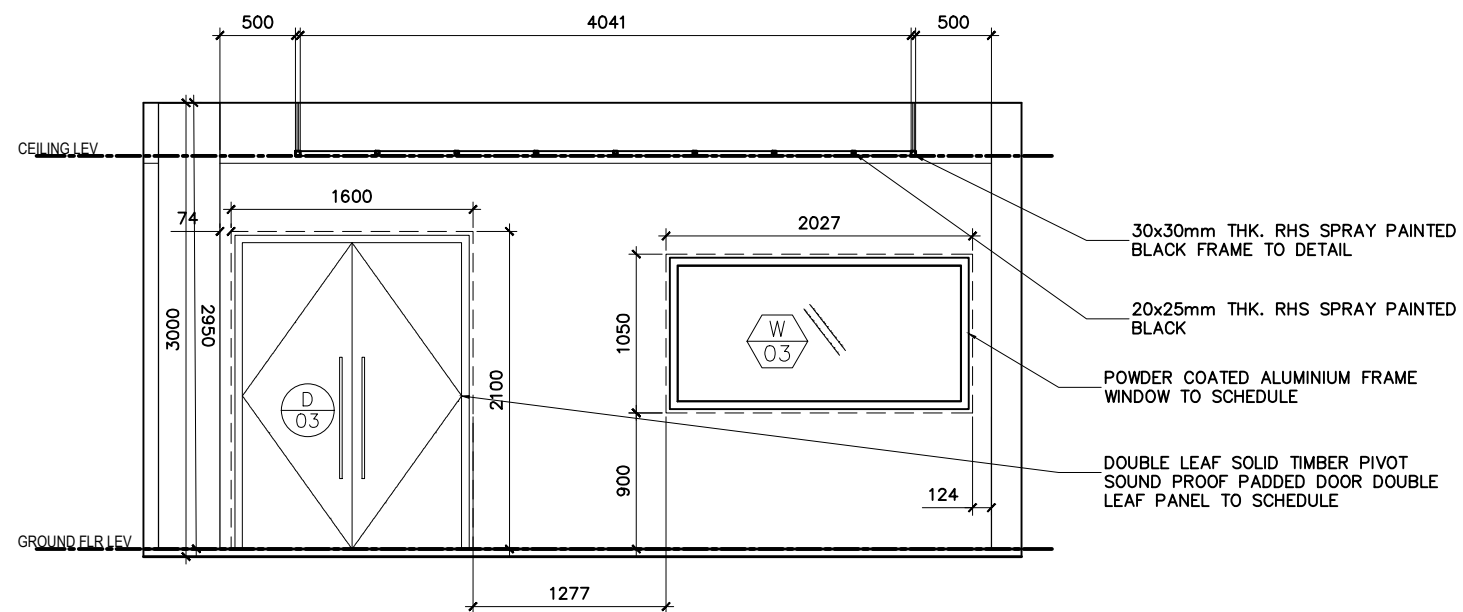
8 SECTIONAL ELEVATION
SCALE 1:50



2 SECTIONAL ELEVATION
SCALE 1:50



9 SECTIONAL ELEVATION
SCALE 1:50



3 SECTIONAL ELEVATION
SCALE 1:50

COMMENTS:

DATE DETAILS

ISSUE OF
DRAWING
14-OCT-2023
CONSTRUCTION

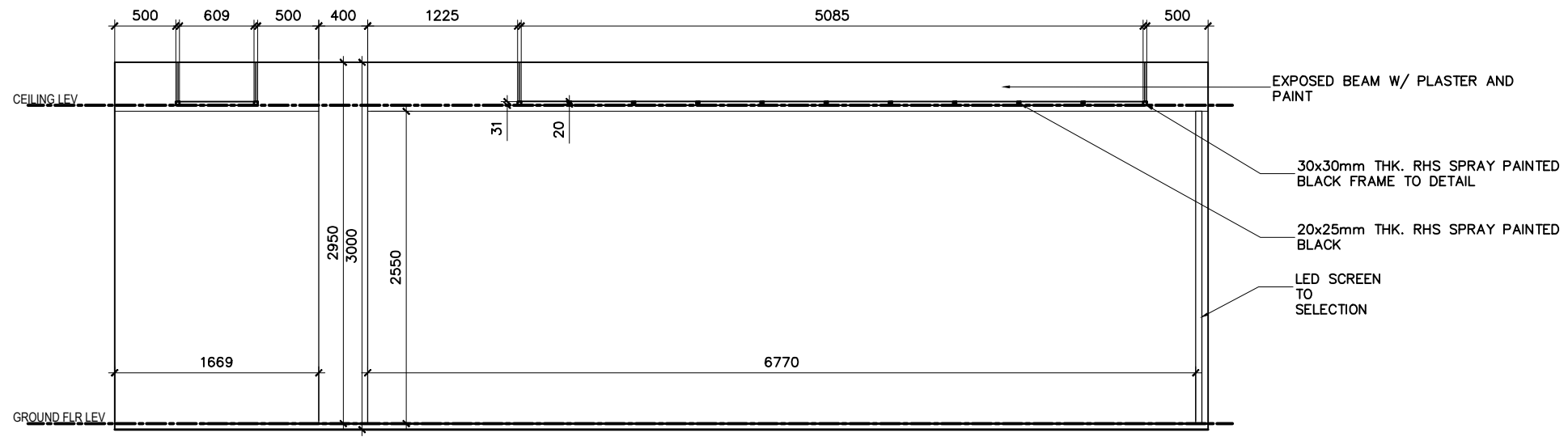
COPYRIGHTS RESERVED
CONTRACTORS MUST CHECK ALL DIMENSION ON SITE. ONLY FIGURED DIMENSIONS ARE TO BE WORKED FROM. DISCREPANCIES MUST BE REPORTED IMMEDIATELY TO DESIGNER BEFORE PROCEEDING

PROJECT TITLE :
MBN LAYOUT

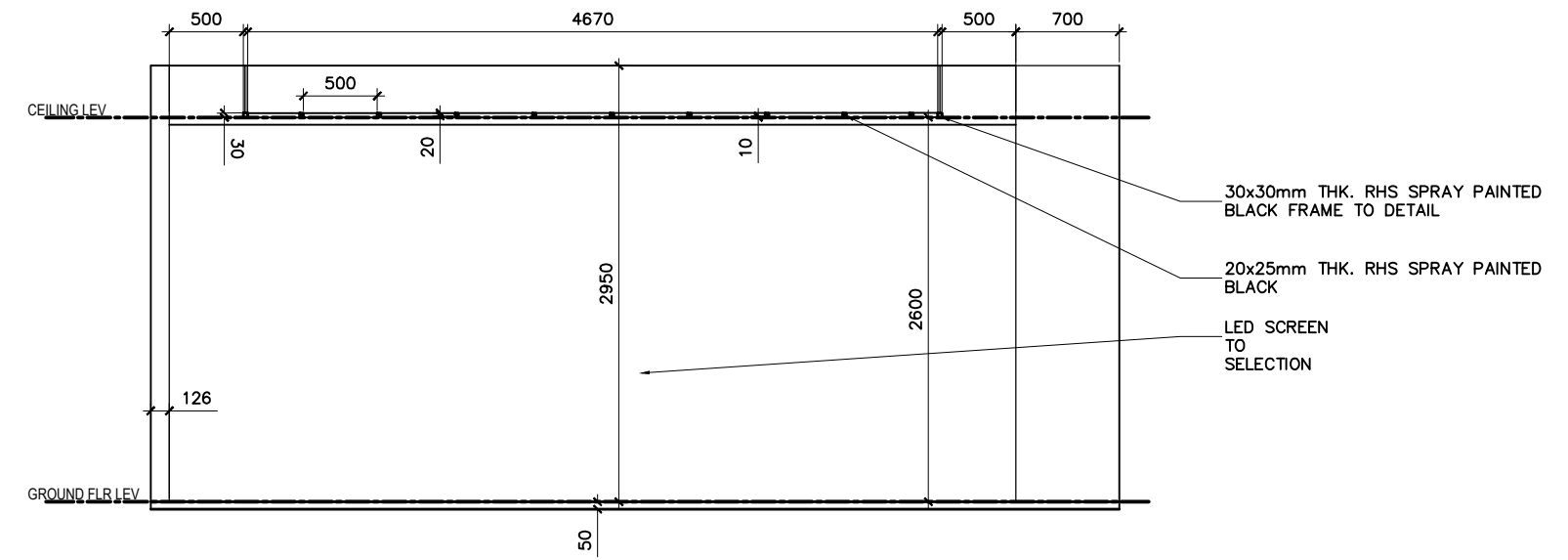
DRAWING INFO
DRAWN BY : SH
CLIENT : BCC
DRAWING NAME : LED STUDIO DETAILS
SCALE : 1:50
ADDRESS : MALE, MALDIVES.

SHEET :
A3

DRAWING NUMBER :
A.05.02



4 SECTIONAL ELEVATION
SCALE 1:50



5 SECTIONAL ELEVATION
SCALE 1:50

COMMENTS:

DATE	DETAILS

ISSUE OF
 DRAWING
 14-OCT-2023
CONSTRUCTION

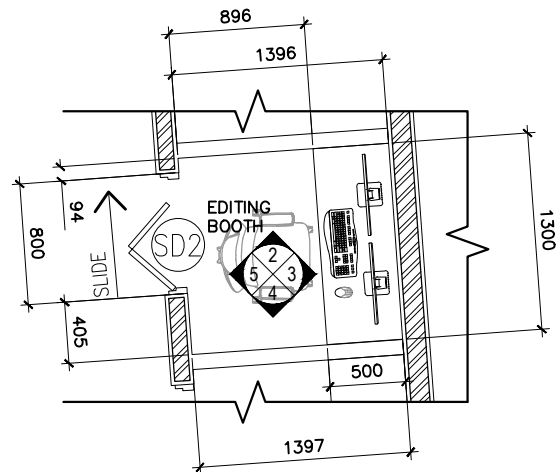
COPYRIGHTS RESERVED
 CONTRACTORS MUST CHECK ALL DIMENSION ON SITE. ONLY FIGURED DIMENSIONS ARE TO BE WORKED FROM. DISCREPANCIES MUST BE REPORTED IMMEDIATELY TO DESIGNER BEFORE PROCEEDING

PROJECT TITLE :
 MBN LAYOUT

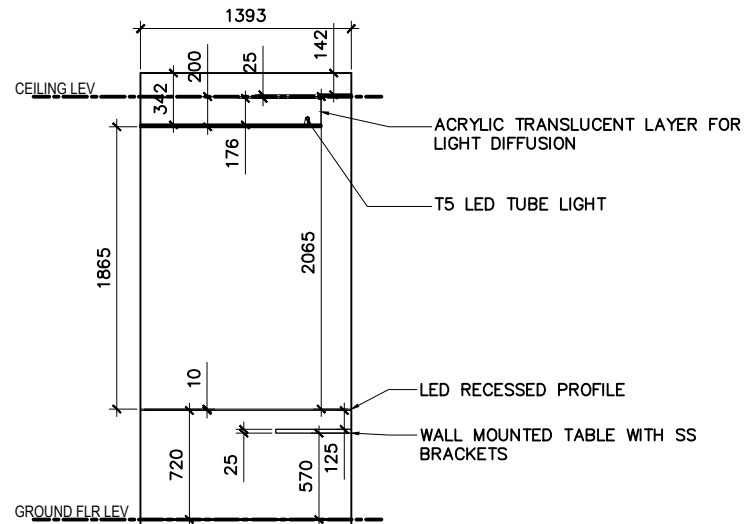
DRAWING INFO	
DRAWN BY :	SH
CLIENT :	BCC
DRAWING NAME :	LED STUDIO DETAILS
SCALE :	1:50
ADDRESS :	MALE, MALDIVES.

SHEET :
A3

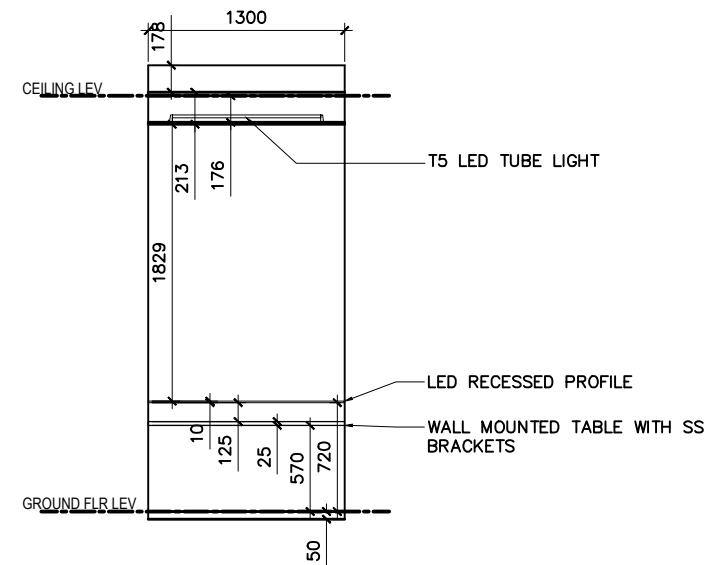
DRAWING NUMBER :
A.05.03



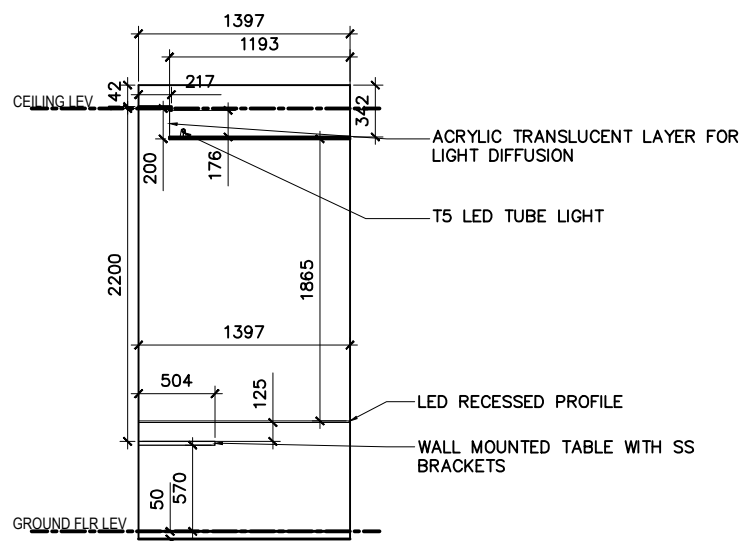
PLAN - TYPICAL EDITING BOOTH
SCALE 1:50



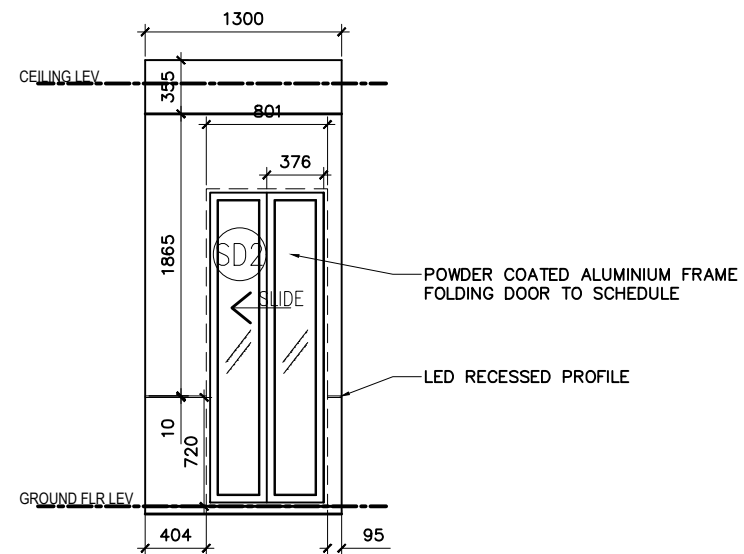
2 SECTIONAL ELEVATION
SCALE 1:50



3 SECTIONAL ELEVATION
SCALE 1:50



4 SECTIONAL ELEVATION
SCALE 1:50



5 SECTIONAL ELEVATION
SCALE 1:50

COMMENTS:

DATE DETAILS

ISSUE OF
DRAWING
14-OCT-2023
CONSTRUCTION

COPYRIGHTS RESERVED
CONTRACTORS MUST CHECK ALL DIMENSION ON SITE. ONLY FIGURED DIMENSIONS ARE TO BE WORKED FROM. DISCREPANCIES MUST BE REPORTED IMMEDIATELY TO DESIGNER BEFORE PROCEEDING

PROJECT TITLE :
MBN LAYOUT

DRAWING INFO	
DRAWN BY :	SH
CLIENT :	BCC
DRAWING NAME :	TYPICAL EDITING BOOTH DETAILS
SCALE :	1:50
ADDRESS :	MALE, MALDIVES.

SHEET :
A3

DRAWING NUMBER :
A.07.01

COMMENTS:

DATE DETAILS



LEGEND

	RECESSED LOUVER LED CEILING LIGHT
	26W RECESSED DOWN LIGHT PANEL
	25W LED TRACK LIGHT
	EARTH LEAKAGE CIRCUIT BREAKER
	DISTRIBUTION BOARD
	SWITCHES
	35 MM CIRCUIT LINE

ISSUE OF DRAWING
 14-OCT-2023
CONSTRUCTION

COPYRIGHTS RESERVED
 CONTRACTORS MUST CHECK ALL DIMENSION ON SITE ONLY FIGURED DIMENSIONS ARE TO BE WORKED FROM. DISCREPANCIES MUST BE REPORTED IMMEDIATELY TO DESIGNER BEFORE PROCEEDING

PROJECT TITLE :
 MBN LAYOUT

DRAWING INFO

DRAWN BY :	SH
CLIENT :	BCC
DRAWING NAME :	LIGHTING PLAN
SCALE :	1: 100
ADDRESS :	MALE, MALDIVES.

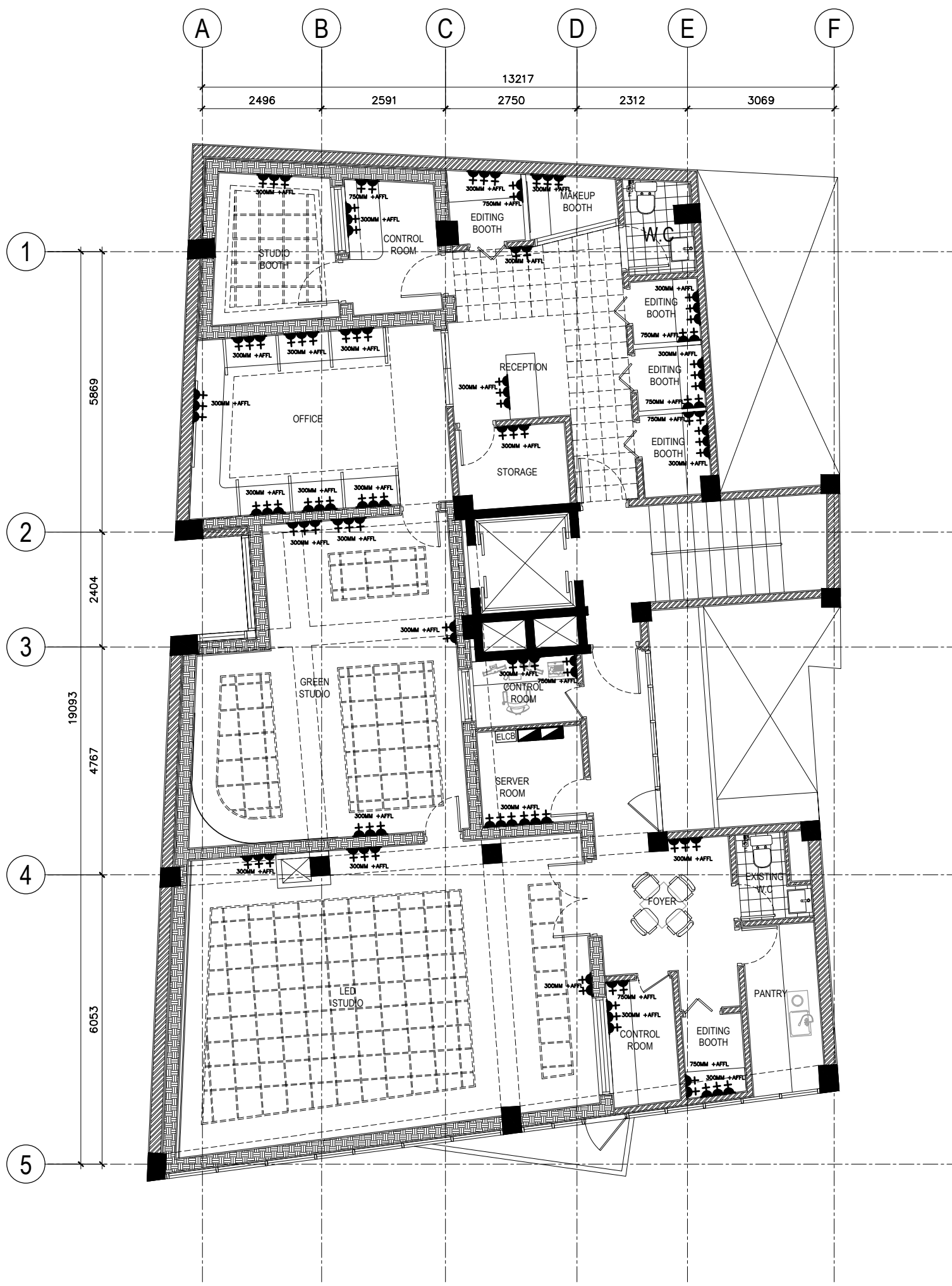
SHEET :
A3

DRAWING NUMBER :
A.08.01

1 LIGHTING PLAN
 A.XX.XX SCALE 1 : 100

COMMENTS:

DATE DETAILS



LEGEND	
	2 GANG 13A SWITCH SOCKET OUTLET
	3 GANG 13A SWITCH SOCKET OUTLET
	EARTH LEAKAGE CIRCUIT BREAKER
	DISTRIBUTION BOARD

ISSUE OF
 DRAWING
 14-OCT-2023
CONSTRUCTION

COPYRIGHTS RESERVED
 CONTRACTORS MUST CHECK ALL DIMENSION ON SITE. ONLY FIGURED DIMENSIONS ARE TO BE WORKED FROM. DISCREPANCIES MUST BE REPORTED IMMEDIATELY TO DESIGNER BEFORE PROCEEDING

PROJECT TITLE :
 MBN LAYOUT

DRAWING INFO	
DRAWN BY :	SH
CLIENT :	BCC
DRAWING NAME :	POWER PLAN
SCALE :	1: 100
ADDRESS :	MALE', MALDIVES.

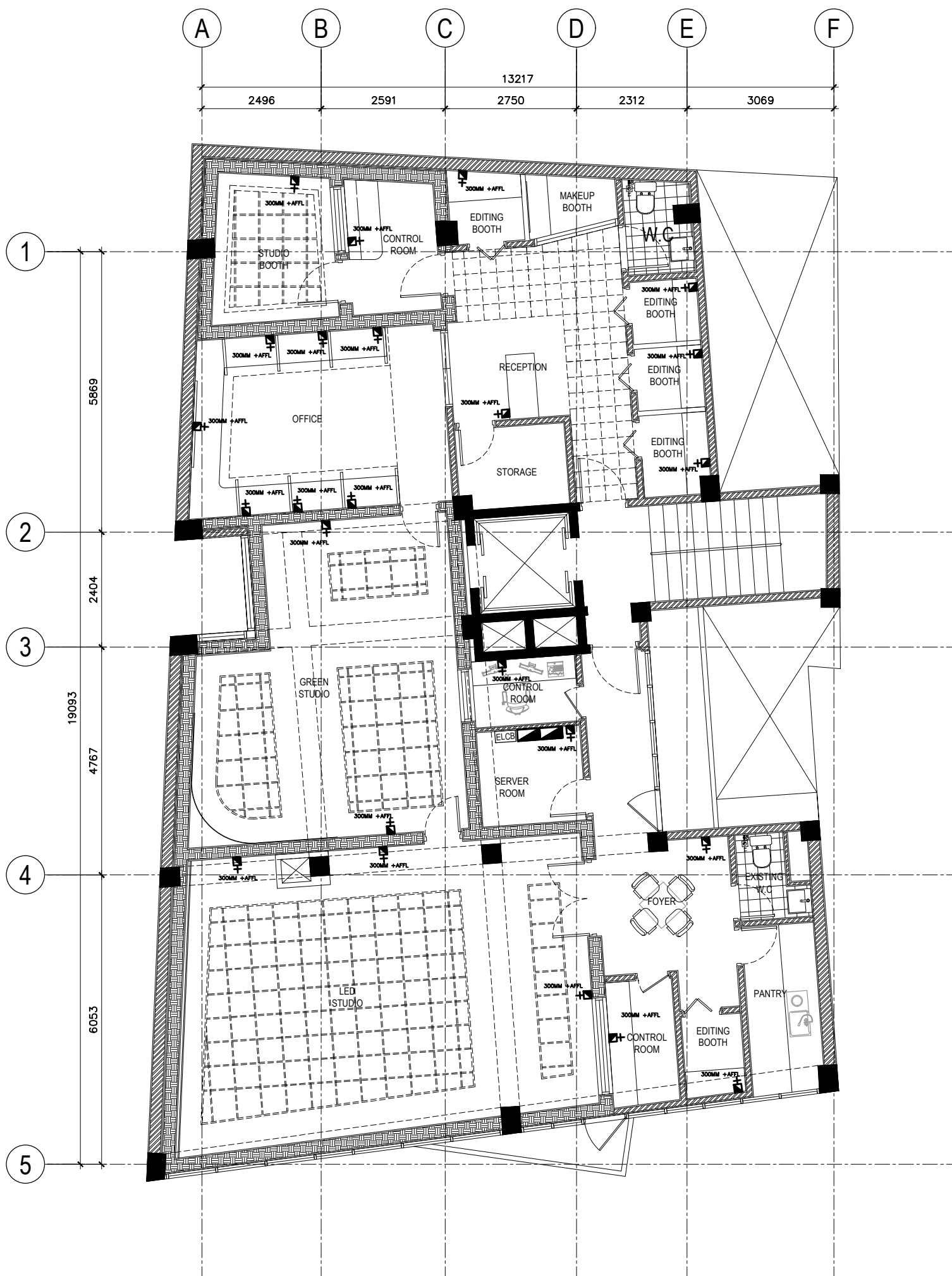
SHEET :
 A3

DRAWING NUMBER :
 A.08.02

1 POWER PLAN
 A.XX.XX SCALE 1 : 100

COMMENTS:

DATE DETAILS



1 DATA PLAN
A.XX.XX SCALE 1 : 100

LEGEND	
	DATA POINT
	EARTH LEAKAGE CIRCUIT BREAKER
	DISTRIBUTION BOARD

ISSUE OF
 DRAWING
 14-OCT-2023
CONSTRUCTION

COPYRIGHTS RESERVED
 CONTRACTORS MUST CHECK ALL DIMENSION ON SITE ONLY FIGURED DIMENSIONS ARE TO BE WORKED FROM. DISCREPANCIES MUST BE REPORTED IMMEDIATELY TO DESIGNER BEFORE PROCEEDING

PROJECT TITLE :
 MBN LAYOUT






DRAWING INFO	
DRAWN BY :	SH
CLIENT :	BCC
DRAWING NAME :	DATA PLAN
SCALE :	1: 100
ADDRESS :	MALE', MALDIVES.

SHEET :
A3

DRAWING NUMBER :
A.08.03

COMMENTS:

DATE	DETAILS
------	---------

LEGEND	
	18000 BTU AC (INVERTER)
	9000 BTU AC (INVERTER)
	OUTDOOR UNIT
	REFRIGERATION PIPE
	CABLE TRAY 500X100

ISSUE OF
 DRAWING
 14-OCT-2023
CONSTRUCTION

COPYRIGHTS RESERVED
 CONTRACTORS MUST CHECK ALL DIMENSION ON SITE ONLY FIGURED DIMENSIONS ARE TO BE WORKED FROM. DISCREPANCIES MUST BE REPORTED IMMEDIATELY TO DESIGNER BEFORE PROCEEDING

PROJECT TITLE :
 MBN LAYOUT

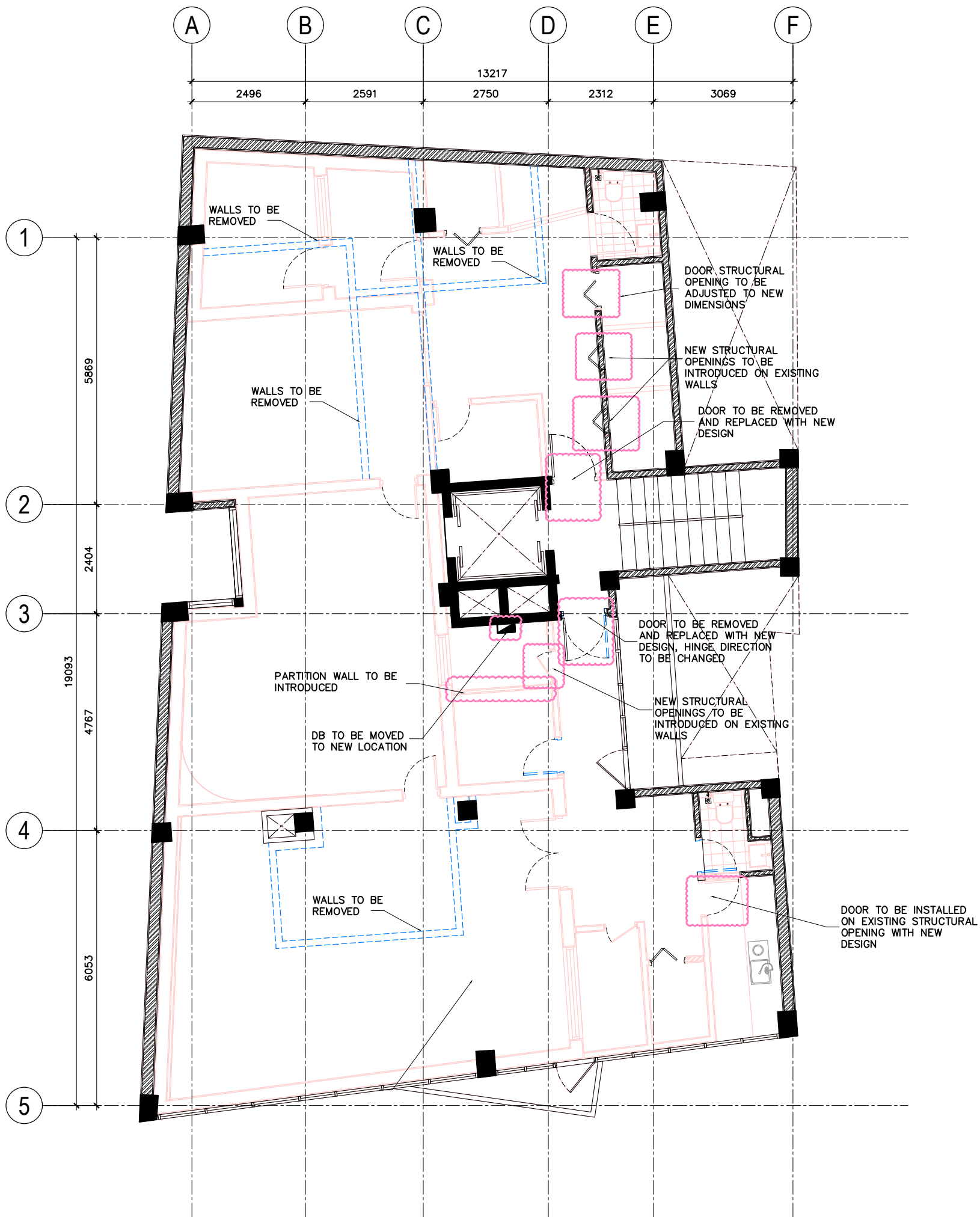
DRAWING INFO	
DRAWN BY :	SH
CLIENT :	BCC
DRAWING NAME :	AC PLAN
SCALE :	1: 100
ADDRESS :	MALE, MALDIVES.

SHEET :
A3

DRAWING NUMBER :
A.08.04



1 AC PLAN
 A.XX.XX SCALE 1 : 100



1 DEMOLITION PLAN
A.XX.XX SCALE 1:100

COMMENTS:

DATE DETAILS

LEGEND

	RECESSED LOUVER LED CEILING LIGHT
	NEW WORKS
	DEMOLITION

ISSUE OF
 DRAWING
 14-OCT-2023
CONSTRUCTION

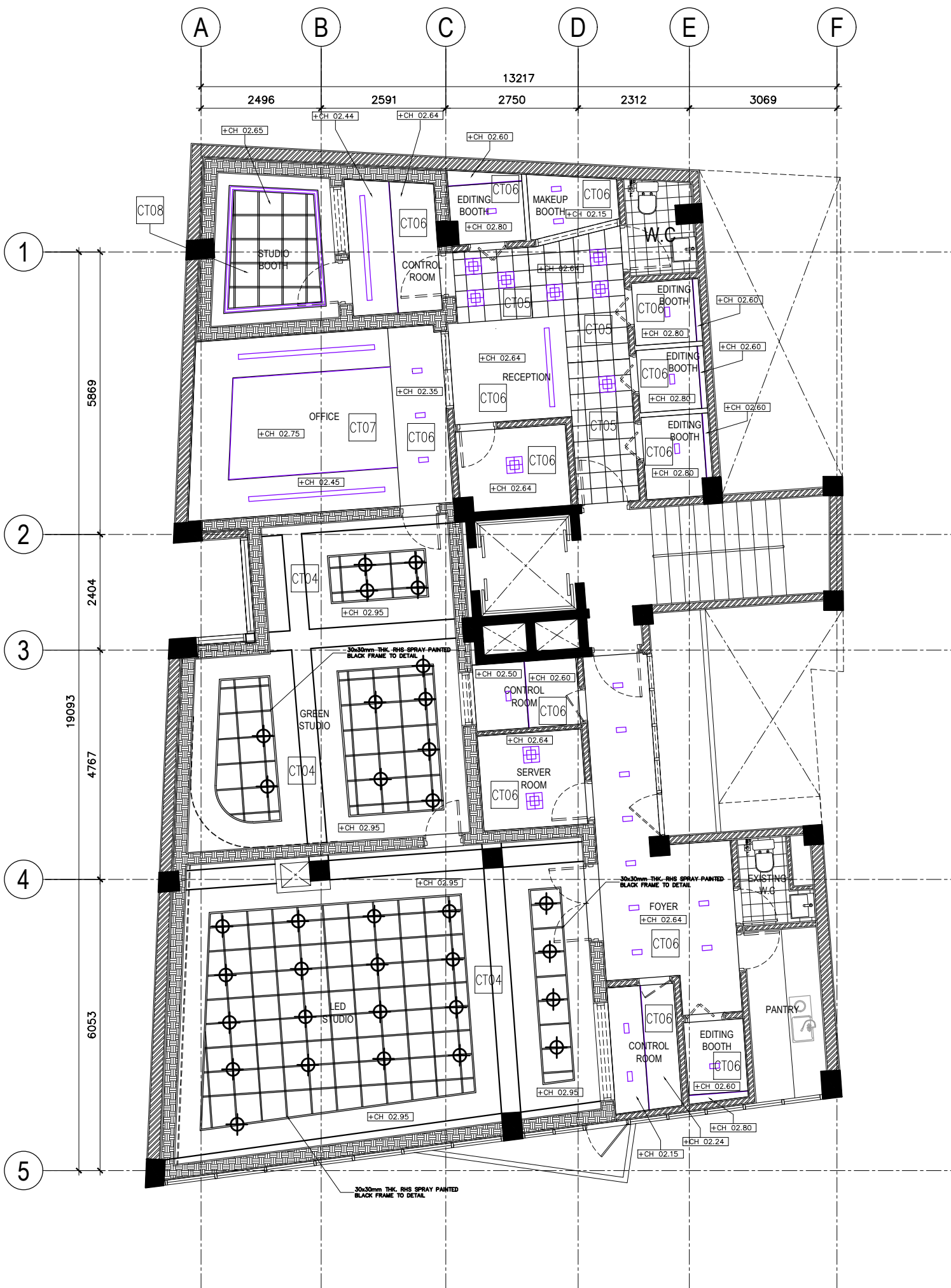
COPYRIGHTS RESERVED
 CONTRACTORS MUST CHECK ALL DIMENSION ON SITE ONLY FIGURED DIMENSIONS ARE TO BE WORKED FROM. DISCREPANCIES MUST BE REPORTED IMMEDIATELY TO DESIGNER BEFORE PROCEEDING

PROJECT TITLE :
 MBN LAYOUT

DRAWING INFO	
DRAWN BY :	SH
CLIENT :	BCC
DRAWING NAME :	DEMOLITION PLAN
SCALE :	1:100
ADDRESS :	MALE, MALDIVES.

SHEET :
A3

DRAWING NUMBER :
A.09.01



1 REFLECTED CEILING PLAN
A.XX.XX SCALE 1 : 100

CEILING FINISH LEGEND

CODE	TYPE	FINISH	SPECIFICATIONS
CT04	Exposed Ceiling	Painted	Skim coat and painted finish to soffit of slab
CT05	Suspended Ceiling	Plaster and Paint Finish	12mm Thk Plaster Board with aluminum grid (500x500)
CT06	Suspended Ceiling	Plaster and Paint Finish	12 mm Thk moisture resistant plaster board
CT07	Tray Ceiling	Plaster and Paint Finish	12 mm Thk moisture resistant plaster board
CT08	Flat Ceiling	Plaster and Paint Finish	12 mm Thk moisture resistant plaster board

COMMENTS:

DATE DETAILS

LEGEND

	RECESSED LOUVER LED CEILING LIGHT
	26W RECESSED DOWN LIGHT PANEL
	25W LED TRACK LIGHT

ISSUE OF
 DRAWING
 14-OCT-2023
CONSTRUCTION

COPYRIGHTS RESERVED
 CONTRACTORS MUST CHECK ALL DIMENSION ON SITE ONLY FIGURED DIMENSIONS ARE TO BE WORKED FROM. DISCREPANCIES MUST BE REPORTED IMMEDIATELY TO DESIGNER BEFORE PROCEEDING

PROJECT TITLE :
 MBN LAYOUT

DRAWING INFO
 DRAWN BY : SH
 CLIENT : BCC
 DRAWING NAME : CEILING PLAN
 SCALE : 1: 100
 ADDRESS : MALE, MALDIVES.

SHEET :
A3

DRAWING NUMBER :
A.10.01

COMMENTS:

DATE DETAILS

<p>TYPE: $\textcircled{D01}$</p> <p>DESCRIPTION: SINGLE LEAF TIMBER SOUND PROOF PADDED DOOR WITH SS DOOR FRAME SINGLE LEAF PANEL SIZE : 2075MM(H) x 850MM(W) STRUCTURAL OPENING SIZE : 2100MM(H) x 900MM(W)</p> <p>LOCATION: SOUND STUDIO BOOTH & SOUND STUDIO</p>	<p>TYPE: $\textcircled{D02}$</p> <p>DESCRIPTION: SINGLE LEAF TIMBER SOUND PROOF PADDED DOOR WITH SS DOOR FRAME SINGLE LEAF PANEL SIZE : 2075MM(H) x 750MM(W) STRUCTURAL OPENING SIZE : 2100MM(H) x 800MM(W)</p> <p>LOCATION: GREEN STUDIO</p>	<p>TYPE: $\textcircled{D03}$</p> <p>DESCRIPTION: DOUBLE LEAF SOLID TIMBER PIVOT SOUND PROOF PADDED DOOR DOUBLE LEAF PANEL SINGLE LEAF PANEL SIZE : 2075MM(H) x 1550MM(W) STRUCTURAL OPENING SIZE : 2100MM(H) x 1600MM(W)</p> <p>LOCATION: LED STUDIO</p>	<p>TYPE: $\textcircled{D04}$</p> <p>DESCRIPTION: SINGLE LEAF TIMBER FLUSH DOOR WITH SS DOOR FRAME SINGLE LEAF PANEL SIZE : 2075MM(H) x 750MM(W) STRUCTURAL OPENING SIZE : 2100MM(H) x 800MM(W)</p> <p>LOCATION: SERVER ROOM</p>
<p>TYPE: $\textcircled{D05}$</p> <p>DESCRIPTION: SINGLE LEAF TIMBER FLUSH DOOR WITH SS DOOR FRAME SINGLE LEAF PANEL SIZE : 2075MM(H) x 650MM(W) STRUCTURAL OPENING SIZE : 2100MM(H) x 700MM(W)</p> <p>LOCATION: CONTROL ROOM (GREEN STUDIO)</p>	<p>TYPE: $\textcircled{D06}$</p> <p>DESCRIPTION: SINGLE LEAF TIMBER FLUSH DOOR WITH SS DOOR FRAME SINGLE LEAF PANEL SIZE : 2075MM(H) x 650MM(W) STRUCTURAL OPENING SIZE : 2100MM(H) x 700MM(W)</p> <p>LOCATION: STORAGE ROOM</p>	<p>TYPE: $\textcircled{D07}$</p> <p>DESCRIPTION: SINGLE LEAF TIMBER FLUSH DOOR WITH SS DOOR FRAME SINGLE LEAF PANEL SIZE : 2075MM(H) x 950MM(W) STRUCTURAL OPENING SIZE : 2100MM(H) x 1000MM(W)</p> <p>LOCATION: MAIN ENTRANCE TO RECEPTION & FOYER</p>	<p>TYPE: $\textcircled{D08}$</p> <p>DESCRIPTION: SINGLE LEAF TIMBER FLUSH DOOR WITH SS DOOR FRAME SINGLE LEAF PANEL SIZE : 2075MM(H) x 908MM(W) STRUCTURAL OPENING SIZE : 2100MM(H) x 958MM(W)</p> <p>LOCATION: RECEPTION W.C</p>

ISSUE OF
DRAWING
14-OCT-2023
CONSTRUCTION

COPYRIGHTS RESERVED
CONTRACTORS MUST CHECK ALL DIMENSION ON SITE. ONLY FIGURED DIMENSIONS ARE TO BE WORKED FROM. DISCREPANCIES MUST BE REPORTED IMMEDIATELY TO DESIGNER BEFORE PROCEEDING

PROJECT TITLE :
MBN LAYOUT

DRAWING INFO

DRAWN BY :	SH
CLIENT :	BCC
DRAWING NAME :	WINDOW AND DOOR SCHEDULE
SCALE :	1: 85
ADDRESS :	MALE, MALDIVES.

SHEET :
A3
DRAWING NUMBER :

A.11.01

COMMENTS:

DATE DETAILS

<p>TYPE: (SD1)</p> <p>DESCRIPTION: POWDER COATED ALUMINIUM FRAME SLIDING DOOR WITH SIDE FIXED GLASS SINGLE LEAF PANEL SIZE : 2075MM(H) x 1547MM(W) STRUCTURAL OPENING SIZE : 2100MM(H) x 1597MM(W)</p> <p>LOCATION: MAKEUP BOOTH</p>	<p>TYPE: (SD2)</p> <p>DESCRIPTION: POWDER COATED ALUMINIUM FRAME FOLDING DOOR SINGLE LEAF PANEL SIZE : 2075MM(H) x 750MM(W) STRUCTURAL OPENING SIZE : 2100MM(H) x 800MM(W)</p> <p>LOCATION: EDITING BOOTH</p>	<p>TYPE: (SD3)</p> <p>DESCRIPTION: POWDER COATED ALUMINIUM FRAME SLIDING DOOR WITH SIDE FIXED GLASS SINGLE LEAF PANEL SIZE : 2075MM(H) x 1550MM(W) STRUCTURAL OPENING SIZE : 2100MM(H) x 1600MM(W)</p> <p>LOCATION: OFFICE ENTRANCE</p>	<p>TYPE: (D09)</p> <p>DESCRIPTION: POWDER COATED ALUMINIUM FRAME SWING OPEN DOOR SINGLE LEAF PANEL SIZE : 2075MM(H) x 908MM(W) STRUCTURAL OPENING SIZE : 2100MM(H) x 958MM(W)</p> <p>LOCATION: RECEPTION W.C</p>
<p>TYPE: (W01)</p> <p>DESCRIPTION: POWDER COATED ALUMINIUM FRAME WINDOW STRUCTURAL OPENING SIZE : 1050MM(H) x 1381MM(W)</p> <p>LOCATION: CONTROL ROOM (SOUND STUDIO)</p>	<p>TYPE: (W02)</p> <p>DESCRIPTION: POWDER COATED ALUMINIUM FRAME WINDOW STRUCTURAL OPENING SIZE : 1050MM(H) x 1088MM(W)</p> <p>LOCATION: CONTROL ROOM (GREEN STUDIO)</p>	<p>TYPE: (W03)</p> <p>DESCRIPTION: POWDER COATED ALUMINIUM FRAME WINDOW STRUCTURAL OPENING SIZE : 1050MM(H) x 2027MM(W)</p> <p>LOCATION: CONTROL ROOM (LED STUDIO)</p>	

**ISSUE OF
DRAWING**

 14-OCT-2023
CONSTRUCTION

COPYRIGHTS RESERVED
 CONTRACTORS MUST CHECK ALL DIMENSION ON SITE. ONLY FIGURED DIMENSIONS ARE TO BE WORKED FROM. DISCREPANCIES MUST BE REPORTED IMMEDIATELY TO DESIGNER BEFORE PROCEEDING

PROJECT TITLE :
 MBN LAYOUT

DRAWING INFO

DRAWN BY :	SH
CLIENT :	BCC
DRAWING NAME :	WINDOW AND DOOR SCHEDULE
SCALE :	1: 85
ADDRESS :	MALE, MALDIVES.

SHEET :
A3

DRAWING NUMBER :
A.11.02

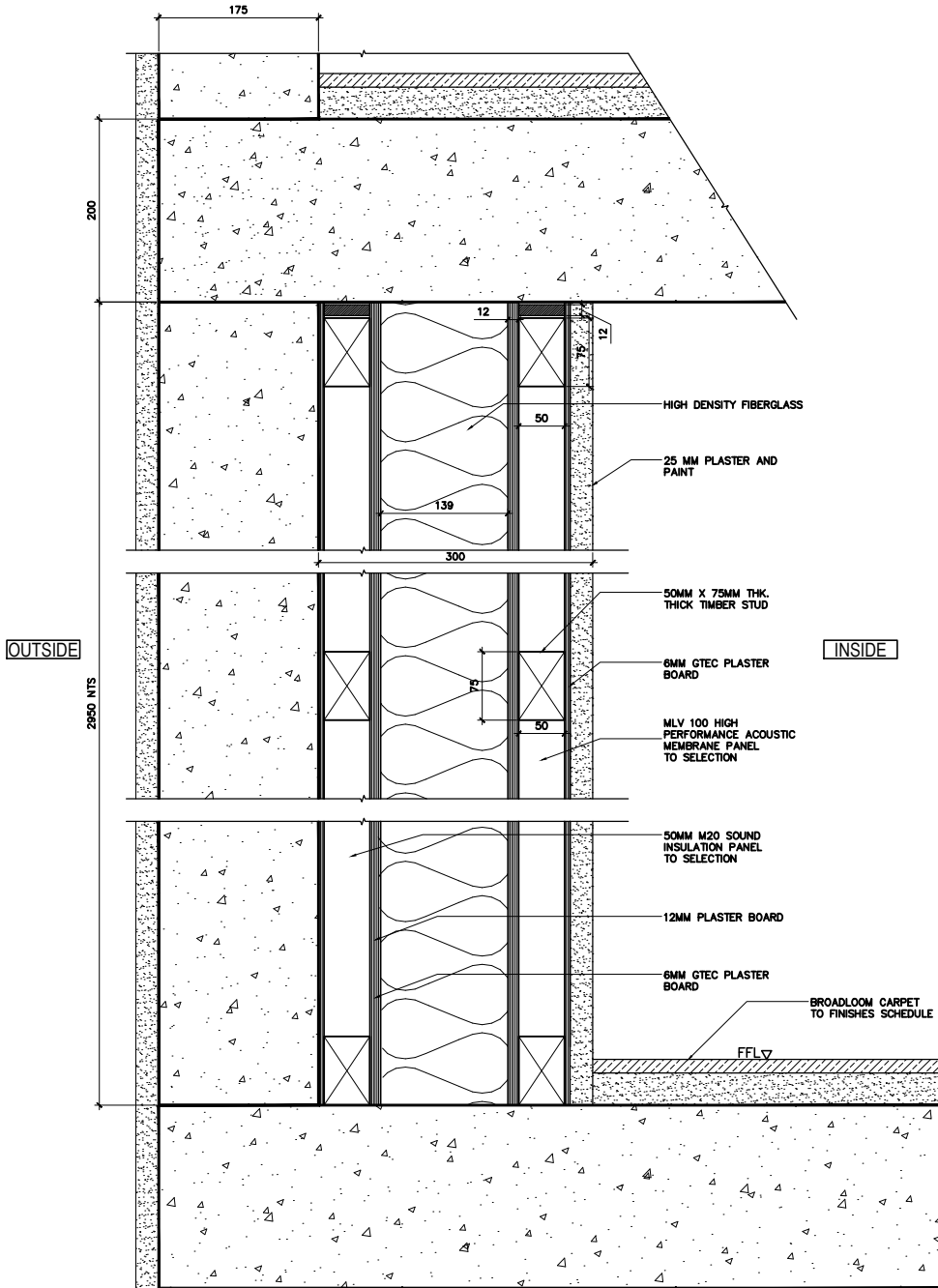
AREA	CODE	DESCRIPTION	COLOR	SPECIFICATIONS	REMARKS
Wall	W01	Satin Enamel Paint	White		
	W02	Eggshell Enamel Paint	White		
	W03	Eggshell Enamel Paint	Flat Dark Grey		
	W04	Eggshell Enamel Paint	Black		
	W05	Laminated Wood	Walnut	Match Floor	
Floor	F01	Carpet	Flat Dark Grey	Broadloom	
	F02	Carpet	Black	Broadloom	
	F03	Novillon Wood Flooring	Walnut	Herringbone	
Skirting	S01	Pencil Skirting	Match Floor	Match Floor	
	S02	Pencil Skirting	Match Wall	Match Wall Color	
	S03	Metal Skirting		Non Reflective Brushed Aluminium Finish	
Ceiling	C01	Eggshell Enamel Paint	White		
	C02	Eggshell Enamel Paint	White	Brushed Aluminium Frame	
	C03	Latex Paint	Black		
	CT04	Exposed Ceiling		Plaster and Paint Finish	Skim coat and painted finish to soffit of slab
	CT05	Suspended Ceiling		Plaster Board with aluminum grid (500x500)	
	CT06	Suspended Ceiling		Plaster Board	
	CT07	Tray Ceiling		Plaster and Paint Finish	
	CT08	Flat Ceiling		Plaster and Paint Finish	12 mm Thk moisture resistant plaster board painted finish

1 INTERIOR FINISHING LEGEND
SCALE NTS

Room Name	Floor Finish	Wall finish		Ceiling
		Skirting	Wall	
Audio Studio Recording booth	F02	S03 (h=150 mm)	W02	C03/CT08
Audio Studio Control Room	F01	S02	W02	C01/CT06
LED Studio	F02	-	W04	C03//CT04
LED Studio Control Room	F01	S02	W02	C01/CT06
Green Studio	F02	-	W04	C03/CT04
Green Studio Control Room	F01	S02	W02	C01/CT06
Office	F01/F03(1100 mm offset from reception entrance)	S02	W02	C01/CT06/CT07
Reception	F03	S01	W02/W05	C01/C02/CT05/CT06
Foyer	F03	S01	W02	C01/CT06
Server Room	F01	S02	W01	C01/CT06
Editing Booth	F01	S02	W02(Above 730 mm from +FFL)/W03(Below 720 mm to +FFL)	C01/CT06
Makeup Booth	F01	S02	W02(Above 730 mm from +FFL)/W03(Below 720 mm to +FFL)	C01/CT06

1 INTERIOR FINISHING SCHEDULE
SCALE NTS

PROJECT TITLE : MBN LAYOUT'	DRAWING INFO		<div style="border: 2px solid red; padding: 5px; text-align: center;"> ISSUE OF DRAWING 14-OCT-2023 CONSTRUCTION </div>	COMMENTS:		DRAWING NUMBER : A.12.01
	COPYRIGHTS RESERVED CONTRACTORS MUST CHECK ALL DIMENSION ON SITE.ONLY FIGURED DIMENSIONS ARE TO BE WORKED FROM. DISCREPANCIES MUST BE REPORTED IMMEDIATELY TO DESIGNER BEFORE PROCEEDING	DRAWN BY :		SH	DATE	
CLIENT :		BCC				
DRAWING NAME :		FINISHING SCHEULE				
SCALE :		NTS				
	ADDRESS :	MALE, MALDIVES.				
	SHEET :	A4				



1 ACOUSTIC SECTION
SCALE 1:8

COMMENTS:

DATE	DETAILS

ISSUE OF
 DRAWING
 14-OCT-2023
CONSTRUCTION

COPYRIGHTS RESERVED

CONTRACTORS MUST CHECK ALL DIMENSION ON SITE. ONLY FIGURED DIMENSIONS ARE TO BE WORKED FROM. DISCREPANCIES MUST BE REPORTED IMMEDIATELY TO DESIGNER BEFORE PROCEEDING

PROJECT TITLE :

MBN LAYOUT'

DRAWING INFO

DRAWN BY :	SH
CLIENT :	BCC
DRAWING NAME :	SOUND PROOF WALL PLAN
SCALE :	1:8
ADDRESS :	MALE', MALDIVES.

SHEET :

A4

DRAWING NUMBER :

A.13.01