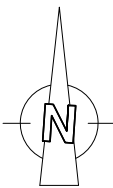


SITE PLAN
SCALE 1:200



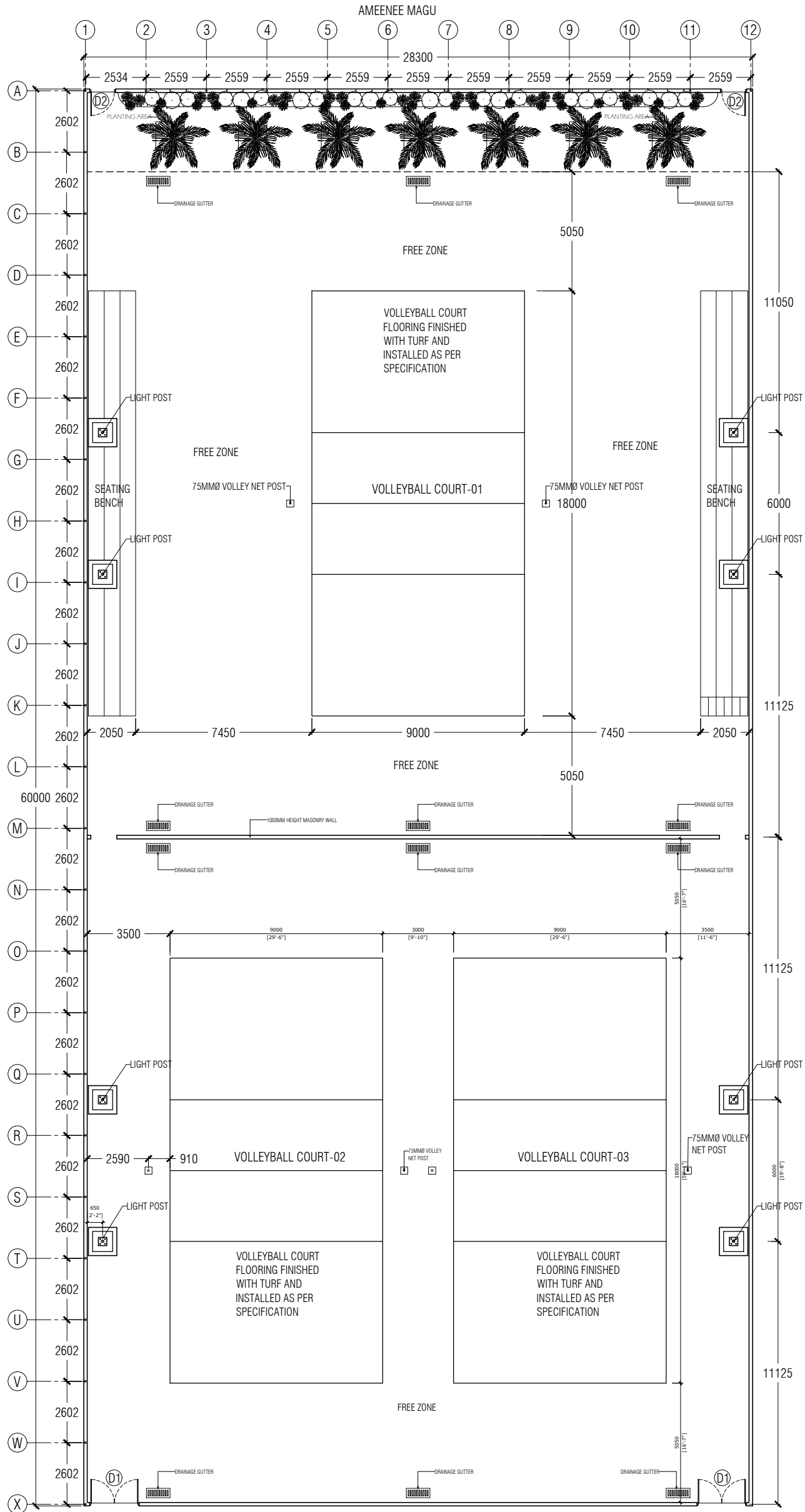
NOTE:
PLOT AREA : 1698 SQ.M
VOLLEYBALL COURT AREA: 486 SQ.M
PLANTING AREA: 99.05 SQ.M

REVISION:

PROJECT : PROPOSED DEVELOPMENT OF OUTDOOR VOLLEYBALL COURT MAAFANNU STADIUM MALE CITY	DRW TITLE : AS MENTIONED	DESIGNED : BINArch	SCALE: AS MENTIONED
CLIENT : VBM	ARCH. CHECKER : -	DIMENSION: MM	CONTRACTORS MUST CHECK ALL DIMENSIONS ON SITE BEFORE STARTING ANY WORK OR SHOP DRAWINGS. FIGURED DIMENSIONS TO TAKE PRECEDENCE OVER SCALE READINGS
OWNER : -	DESIGN ENG : -		
CONTACT : -	CHECKED ENG : -	DRAWN : Samyr	

BINArch[®]
DESIGN ASSOCIATES Pvt. Ltd.
Designers Engineers Surveyors Project Managers
Ma. Manzanello, Saimagoalhi, Male' 20-03, Republic of Maldives
Mobile: +960 777 4134, Email: binarchdesign@gmail.com

DATE: MAY 2021
PAGE No. /
PR NO. : -



VOLLEYBALL COURT FLOOR LAYOUT

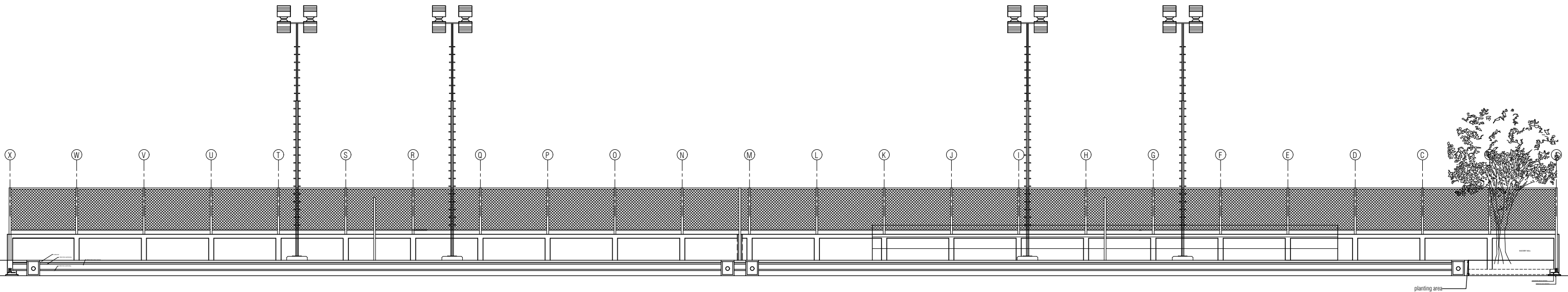
SCALE 1:200

REVISION:

PROJECT : PROPOSED DEVELOPMENT OF OUTDOOR VOLLEYBALL COURT MAAFANNU STADIUM MALE CITY	DRW TITLE : AS MENTIONED	DESIGNED : BINArch	SCALE: AS MENTIONED
CLIENT : VBM	ARCH. CHECKER : -	DESIGN ENG : -	DIMENSION: MM
OWNER : -	CHECKED ENG : -	DRAWN : Samyr	CONTRACTORS MUST CHECK ALL DIMENSIONS ON SITE BEFORE STARTING ANY WORK OR SHOP DRAWINGS. FIGURED DIMENSIONS TO TAKE PRECEDENCE OVER SCALE READINGS
CONTACT : -			

BINArch[®]
DESIGN ASSOCIATES Pvt. Ltd.
Designers Engineers Surveyors Project Managers
Ma. Manzanello, Saimagoalhi, Male' 20-03, Republic of Maldives
Mobile: +960 777 4134, Email: binarchdesign@gmail.com

DATE: MAY 2021
PAGE No. /
PR NO. : -



CROSS SECTION X-X

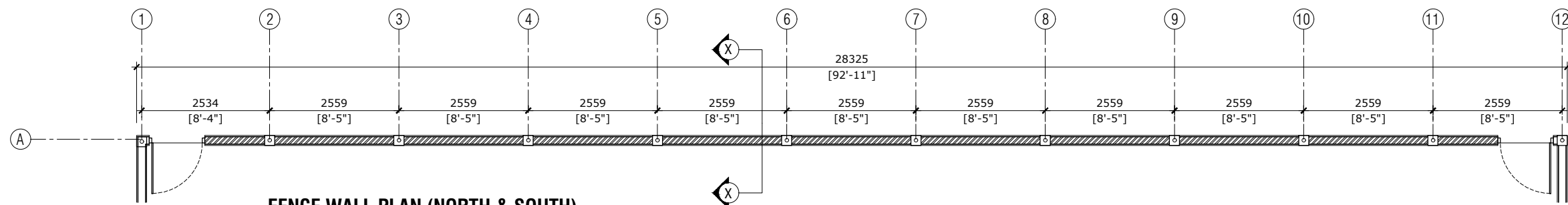
SCALE 1:100

REVISION:

PROJECT : PROPOSED DEVELOPMENT OF OUTDOOR VOLLEYBALL COURT MAAFANNU STADIUM MALE CITY	DRW TITLE : AS MENTIONED	DESIGNED : BINArch	SCALE: AS MENTIONED
CLIENT : VBM	ARCH. CHECKER : -	ARCH. CHECKER : -	DIMENSION: MM
OWNER : -	DESIGN ENG : -	DESIGN ENG : -	CONTRACTORS MUST CHECK ALL DIMENSIONS ON SITE BEFORE STARTING ANY WORK OR SHOP DRAWINGS, FIGURED DIMENSIONS TO TAKE PRECEDENCE OVER SCALE READINGS
CONTACT : -	CHECKED ENG : -	CHECKED ENG : -	
	DRAWN : Samyr	DRAWN : Samyr	

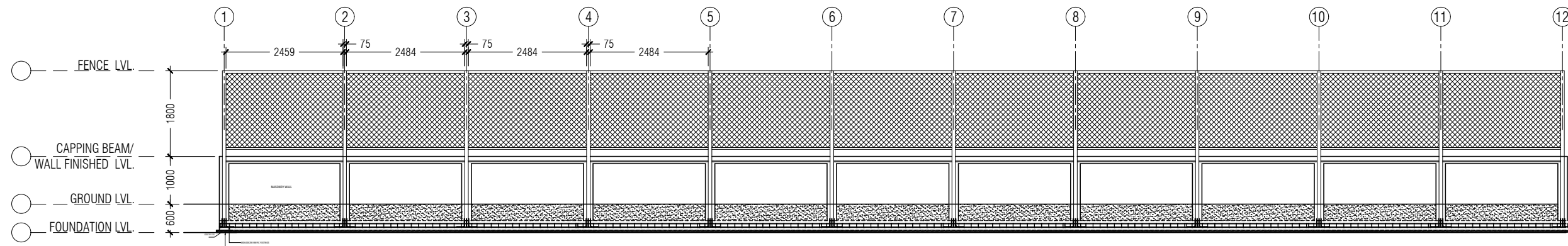
BINArch®
DESIGN ASSOCIATES Pvt. Ltd.
 Designers Engineers Surveyors Project Managers
 Ma. Manzanella, Saimagoalhi, Male' 20-03, Republic of Maldives
 Mobile: +960 777 4134, Email: binarchdesign@gmail.com

DATE: MAY 2021
PAGE No. /
PR NO. : -



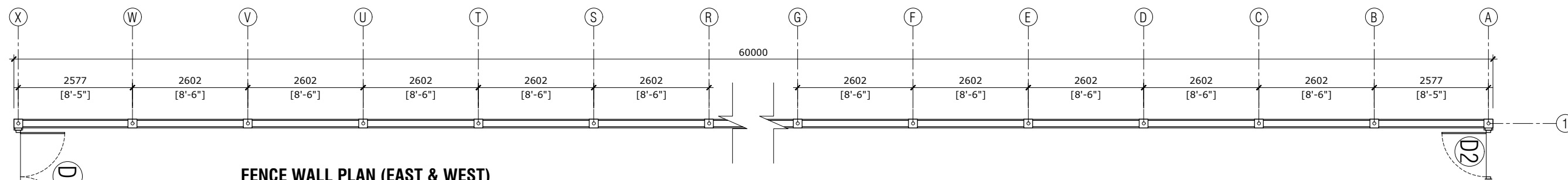
FENCE WALL PLAN (NORTH & SOUTH)

SCALE 1:100



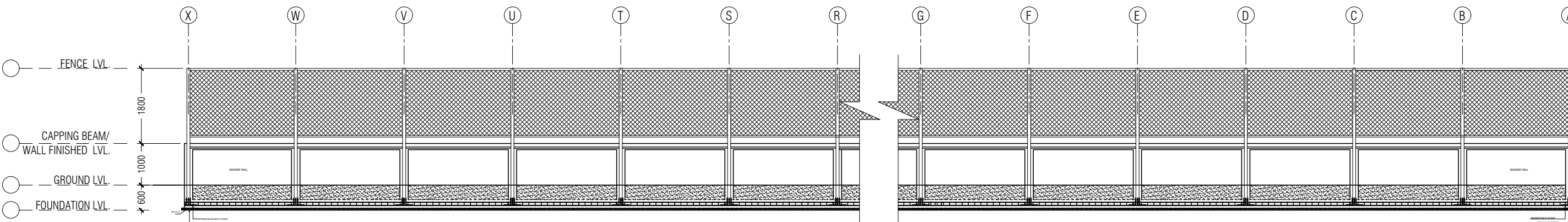
FENCE WALL SECTION (NORTH & SOUTH)

SCALE 1:100



FENCE WALL PLAN (EAST & WEST)

SCALE 1:100



FENCE WALL SECTION (EAST & WEST)

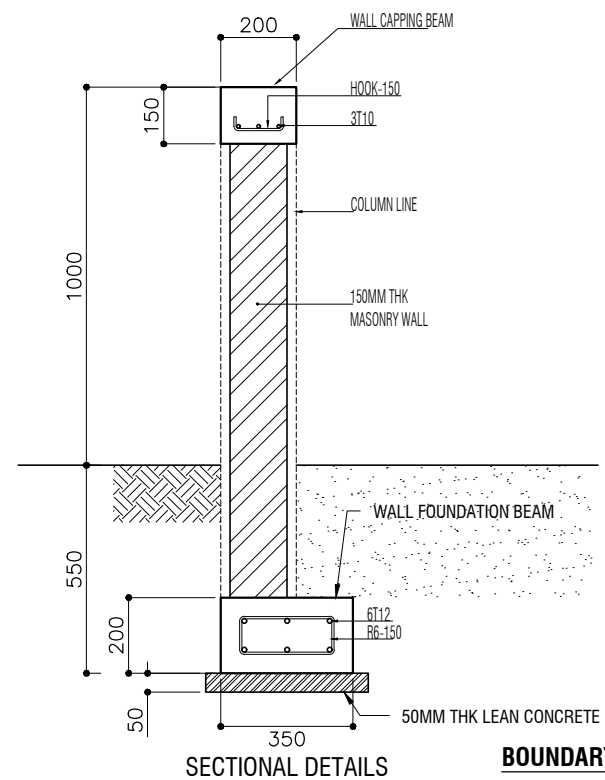
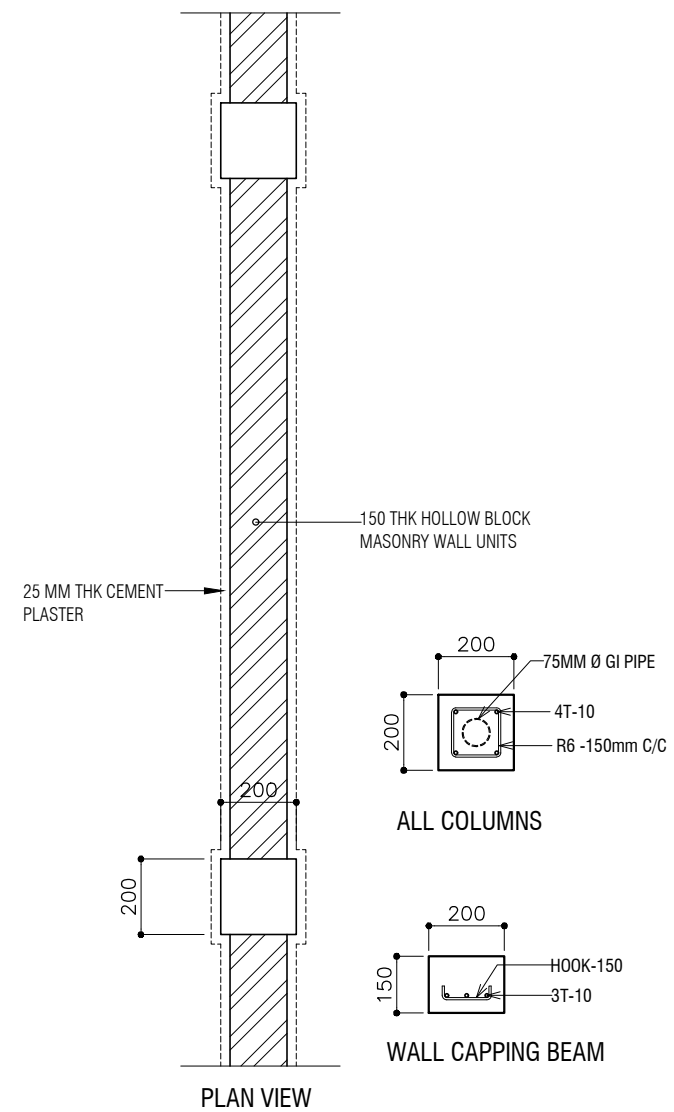
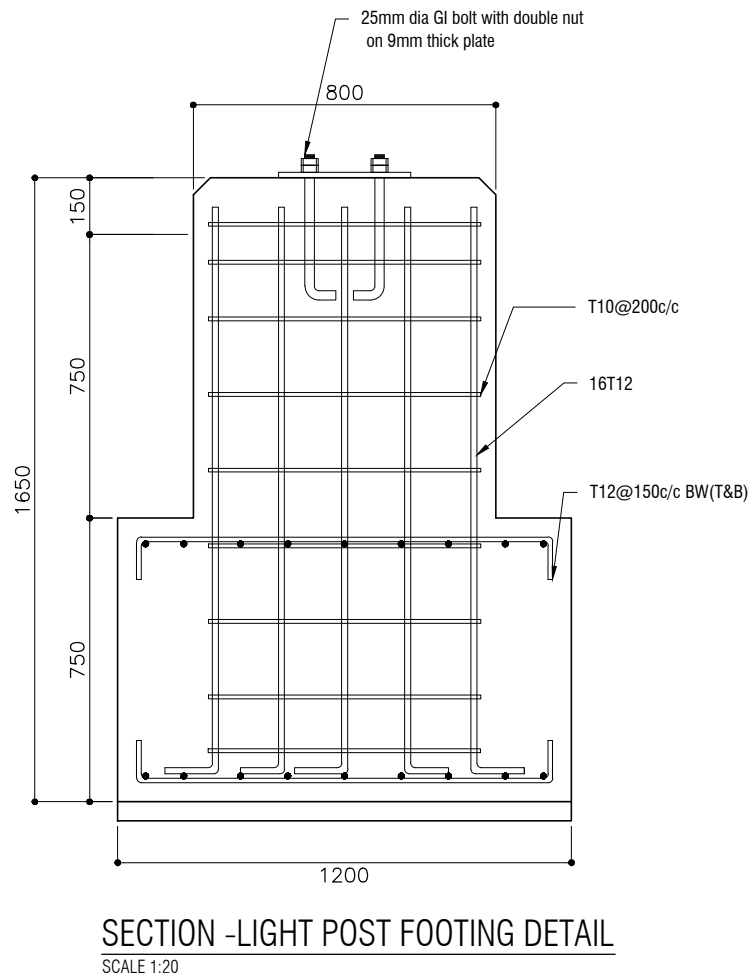
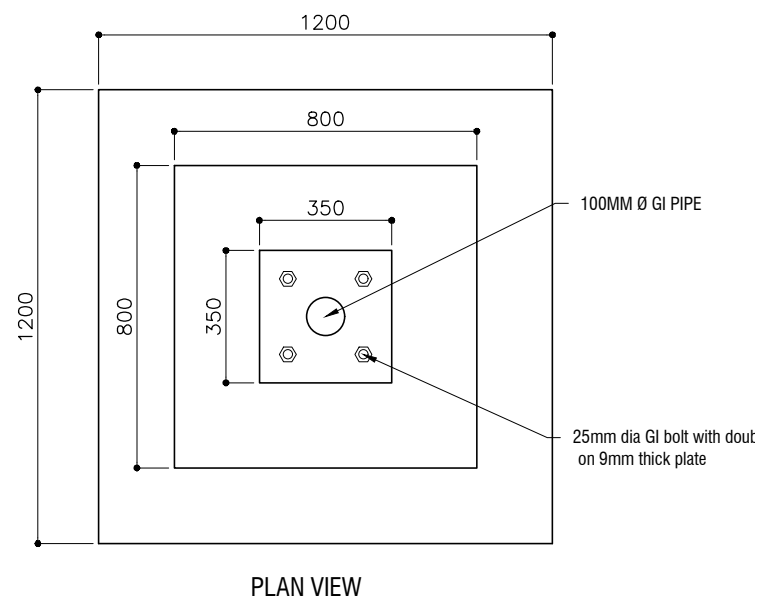
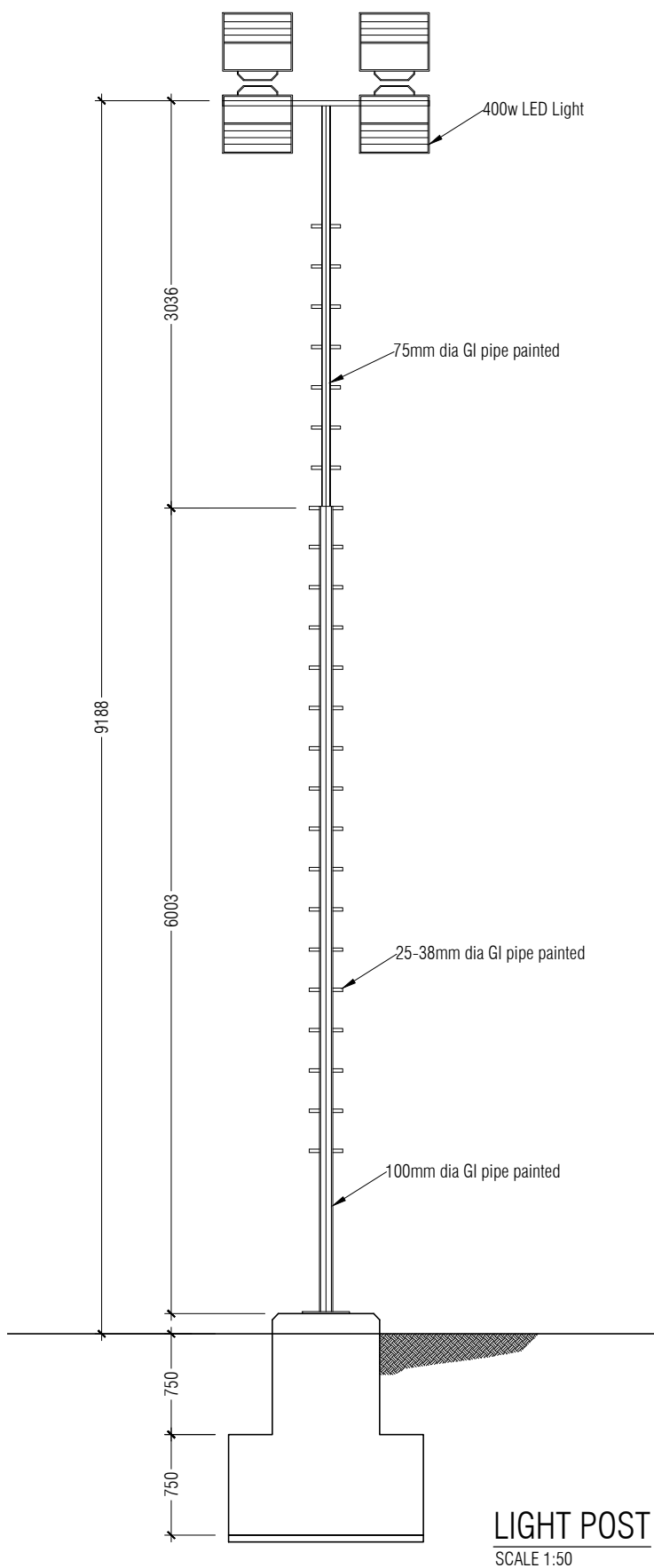
SCALE 1:100

REVISION:

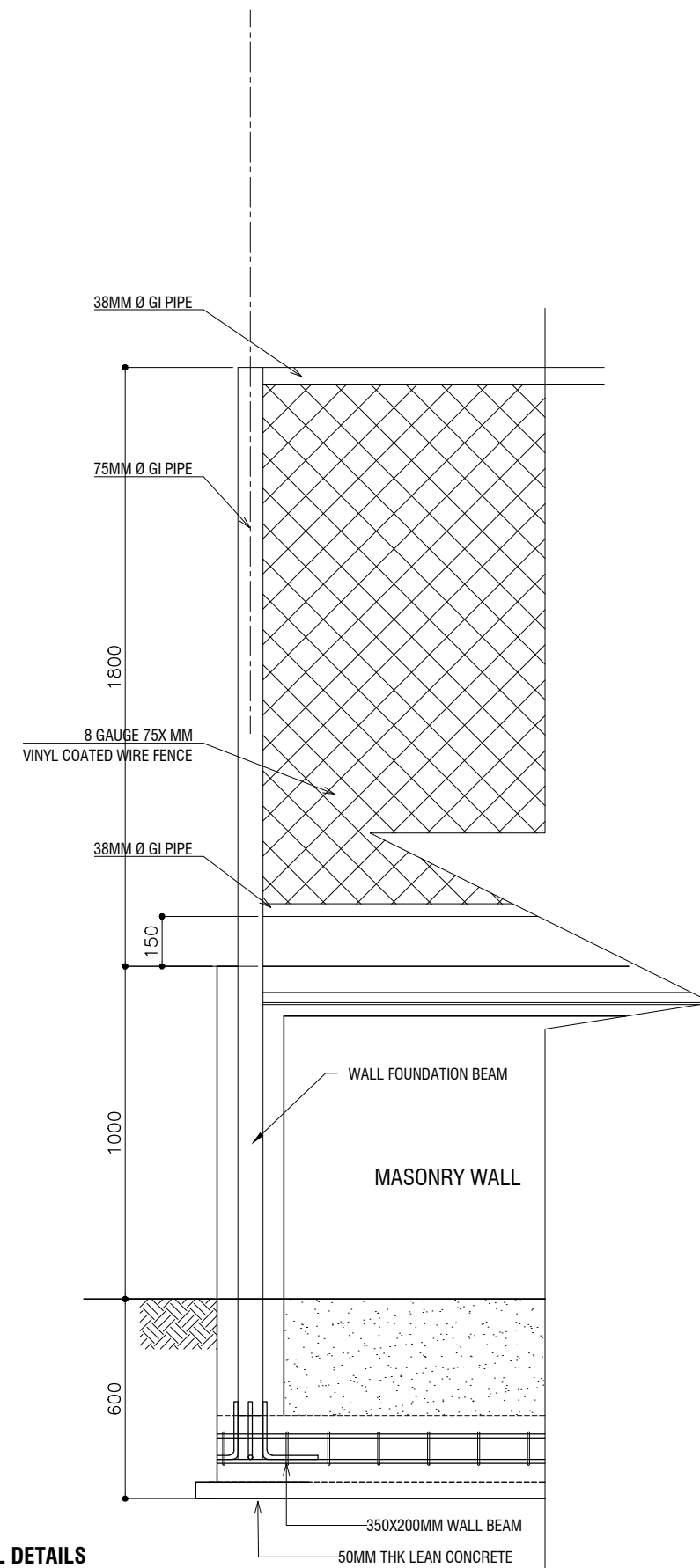
PROJECT : PROPOSED DEVELOPMENT OF OUTDOOR VOLLEYBALL COURT MAAFANNU STADIUM MALE CITY	DRW TITLE : AS MENTIONED	DESIGNED : BINArch	SCALE: AS MENTIONED
CLIENT : VBM	ARCH. CHECKER : -	DRAWN : Samyr	DIMENSION: MM
OWNER : -	DESIGN ENG : -		CONTRACTORS MUST CHECK ALL DIMENSIONS ON SITE BEFORE STARTING ANY WORK OR SHOP DRAWINGS, FIGURED DIMENSIONS TO TAKE PRECEDENCE OVER SCALE READINGS
CONTACT : -	CHECKED ENG : -		

BINArch®
DESIGN ASSOCIATES Pvt. Ltd.
Designers Engineers Surveyors Project Managers
Ma. Manzanella, Saimagoalhi, Male' 20-03, Republic of Maldives
Mobile: +960 777 4134, Email: binarchdesign@gmail.com

DATE: MAY 2021
PAGE No. /
PR NO. : -



BOUNDARY WALL DETAILS
SCALE 1:20



REVISION:

PROJECT :
PROPOSED DEVELOPMENT OF OUTDOOR
VOLLEYBALL COURT
MAAFANNU STADIUM
MALE CITY

DRW TITLE : AS MENTIONED

CLIENT : VBM

OWNER : -

CONTACT : -

DESIGNED : BINArch

ARCH. CHECKER : -

DESIGN ENG : -

CHECKED ENG : -

DRAWN : Samyr

SCALE: AS MENTIONED

DIMENSION: MM

CONTRACTORS MUST CHECK ALL DIMENSIONS ON SITE BEFORE STARTING ANY WORK OR SHOP DRAWINGS, FIGURED DIMENSIONS TO TAKE PRECEDENCE OVER SCALE READINGS

BINArch®
DESIGN ASSOCIATES Pvt. Ltd.
Designers Engineers Surveyors Project Managers
Ma. Manzanella, Saimagoalhi, Male' 20-03, Republic of Maldives
Mobile: +960 777 4134, Email: binarchdesign@gmail.com

DATE: MAY 2021

PAGE No. 1

PR NO. : -