

# B.EYDHAFUSHI POLICE STATION

RENOVATION ARCHITECTURAL & STRUCTURAL DRAWINGS

DATE: 25-JAN-2023



PROJECT TITLE:  
BETHMADUSHI POLICE STATION  
RENOVATION

MALDEN POLICE SERVICE SEAL & SIGN

CONTRACTORS SEAL & SIGN

ARCHITECT/RESPONSOR DATED BY

STRUCTURAL ENGINEER DATED BY

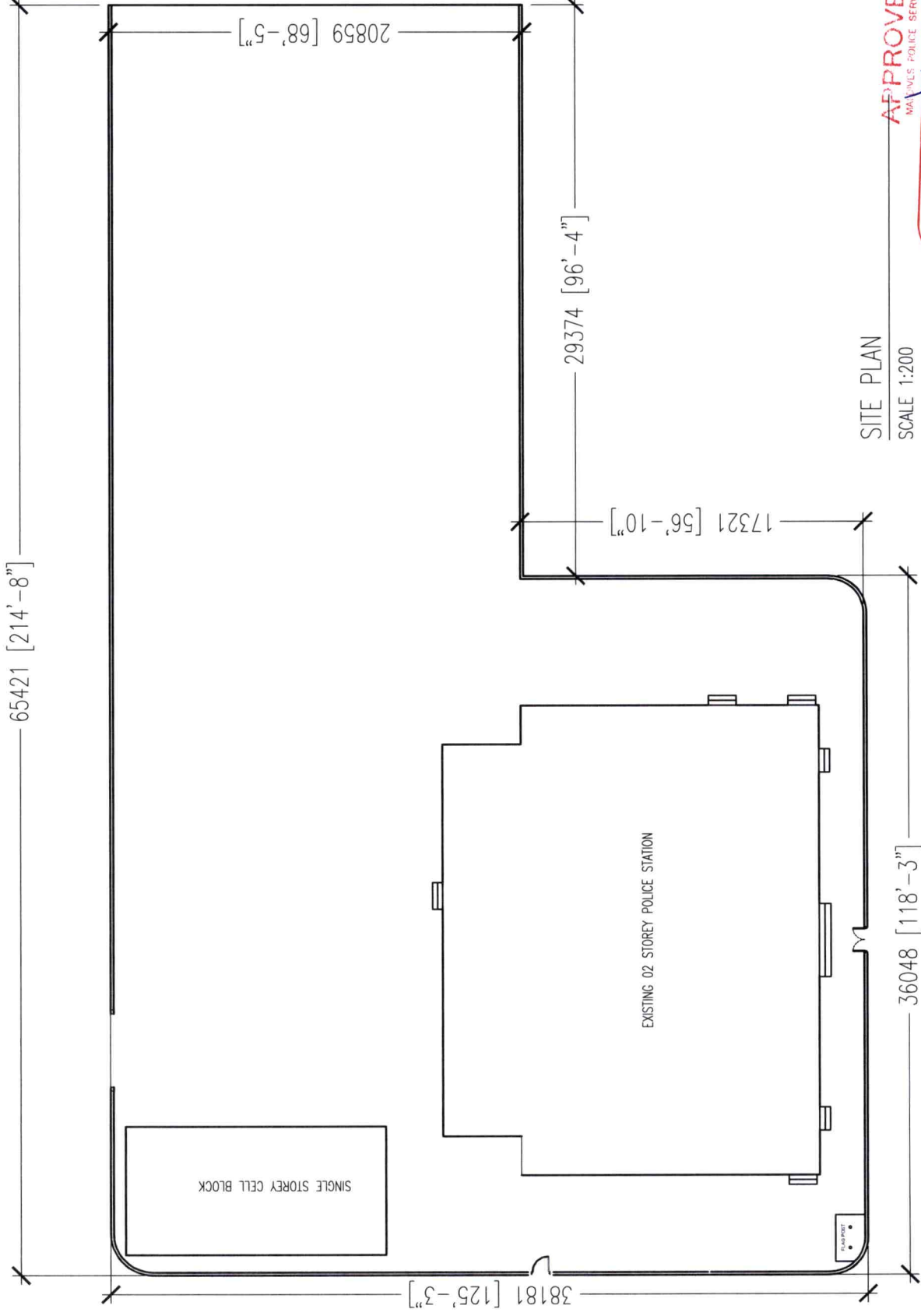
CHECKED BY

ARCHITECTURAL DRAWINGS

SHEET NO. 25-JAN-2023


A-01

THE DRAWINGS, CONCEPT AND DESIGN CONTAINED AREA THE PROPERTIES OF MALDEN POLICE SERVICE USE OF ANY PART OF THESE DRAWINGS FOR OTHER THAN THE PROJECTS AND SITES OTHER THAN THAT SPECIFIED ON THIS DRAWING IS STRICTLY PROHIBITED



SITE PLAN  
SCALE 1:200

APPROVED  
MALDEN POLICE SERVICE

SIGN:   
 NAME: AD AHMED SADIQEM  
 DESIGNATION: HEAD OF IDU  
 DATE: 26-01-23



PROJECT TITLE:  
BEYHAFUSHI POLICE STATION  
RENOVATION

MALDIVES POLICE SERVICE SEAL & SIGN

CONTRACTORS SEAL & SIGN

THE DRAWINGS/CONCEPT AND DESIGN CONTAINED AREA  
THE PROPERTY OF MALDIVES POLICE SERVICE. USE OF  
ANY PART OF THESE DRAWINGS FOR ANY OTHER PROJECTS OR  
DRAWING CONCEPT OR DESIGN OR USE OF ANY OTHER  
PROJECTS OR SITES OTHER THAN THAT SPECIFIED ON  
THIS DRAWING IS STRICTLY PROHIBITED.

ARCHITECT/DESIGNER DATED BY

STRUCTURAL ENGINEER DATED BY

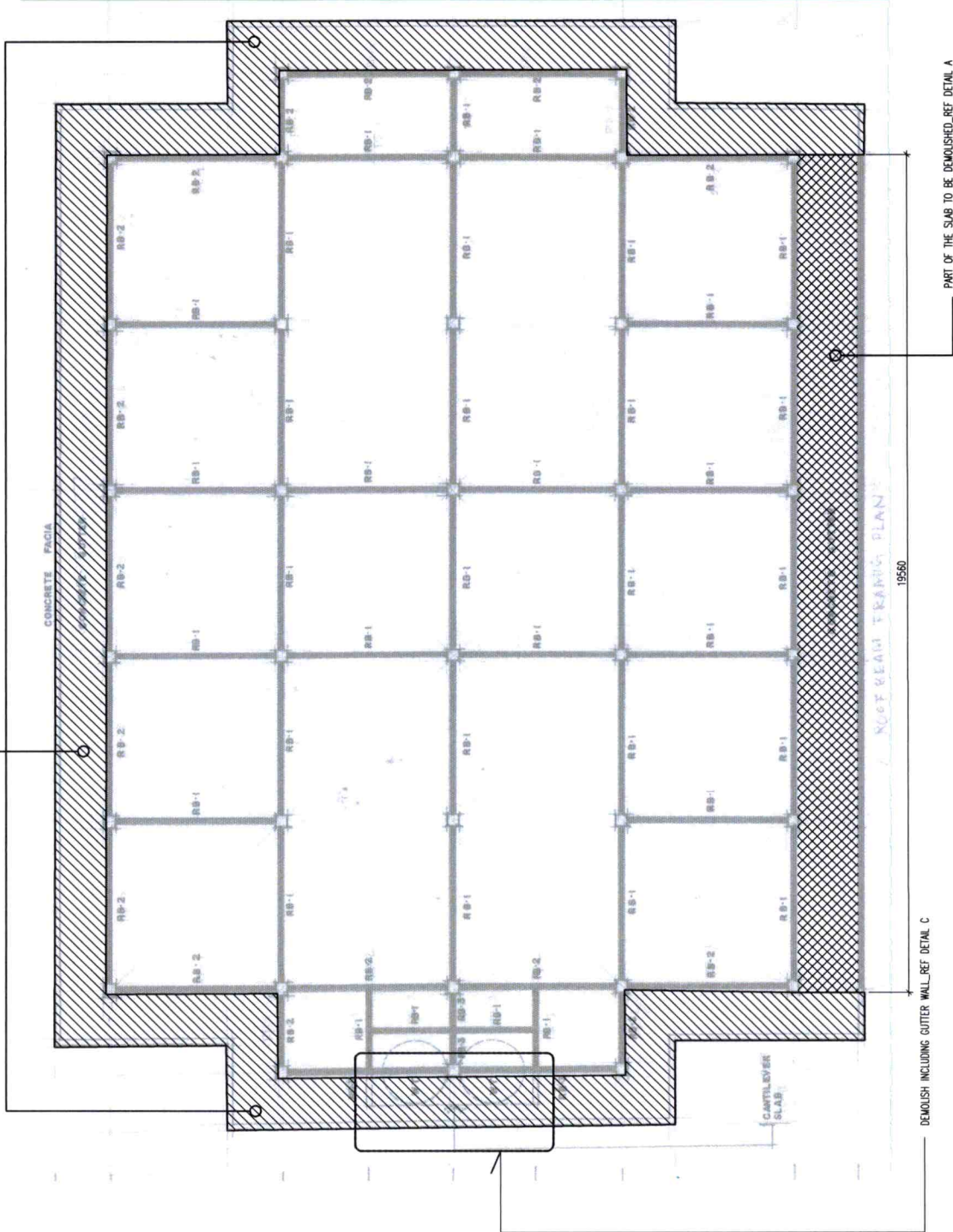
CHECKED BY

ARCHITECTURAL DRAWINGS

SHEET NO. 25-JAN-2023

A-02

DEMOLISH INCLUDING GUTTER WALL\_REF DETAIL B



PART OF THE SLAB TO BE DEMOLISHED\_REF DETAIL A

DEMOLISH INCLUDING GUTTER WALL\_REF DETAIL C

**APPROVED**  
MALDIVES POLICE SERVICE

*(Signature)*

SIGN:

NAME: **AP AHMED SADHEEM**

DESIGNATION: **HEAD OF IDU**

DATE: **26-01-23**

GUTTER DEMOLITION PLAN

SCALE 1:100



PROJECT TITLE:  
BELOHAFUSHI POLICE STATION  
RENOVATION

MALDIVES POLICE SERVICE SEAL & SIGN

CONTRACTORS SEAL & SIGN

THE DRAWINGS, CONCEPT AND DESIGN CONTAINED AREA THE PROPERTIES OF MALDIVES POLICE SERVICE USE OF ANY PART OF THIS DRAWING FOR ANY OTHER PROJECTS OR SITES OTHER THAN THAT SPECIFIED ON THIS DRAWING IS STRICTLY PROHIBITED

ARCHITECT/DESIGNER DATED BY

STRUCTURAL ENGINEER DATED BY

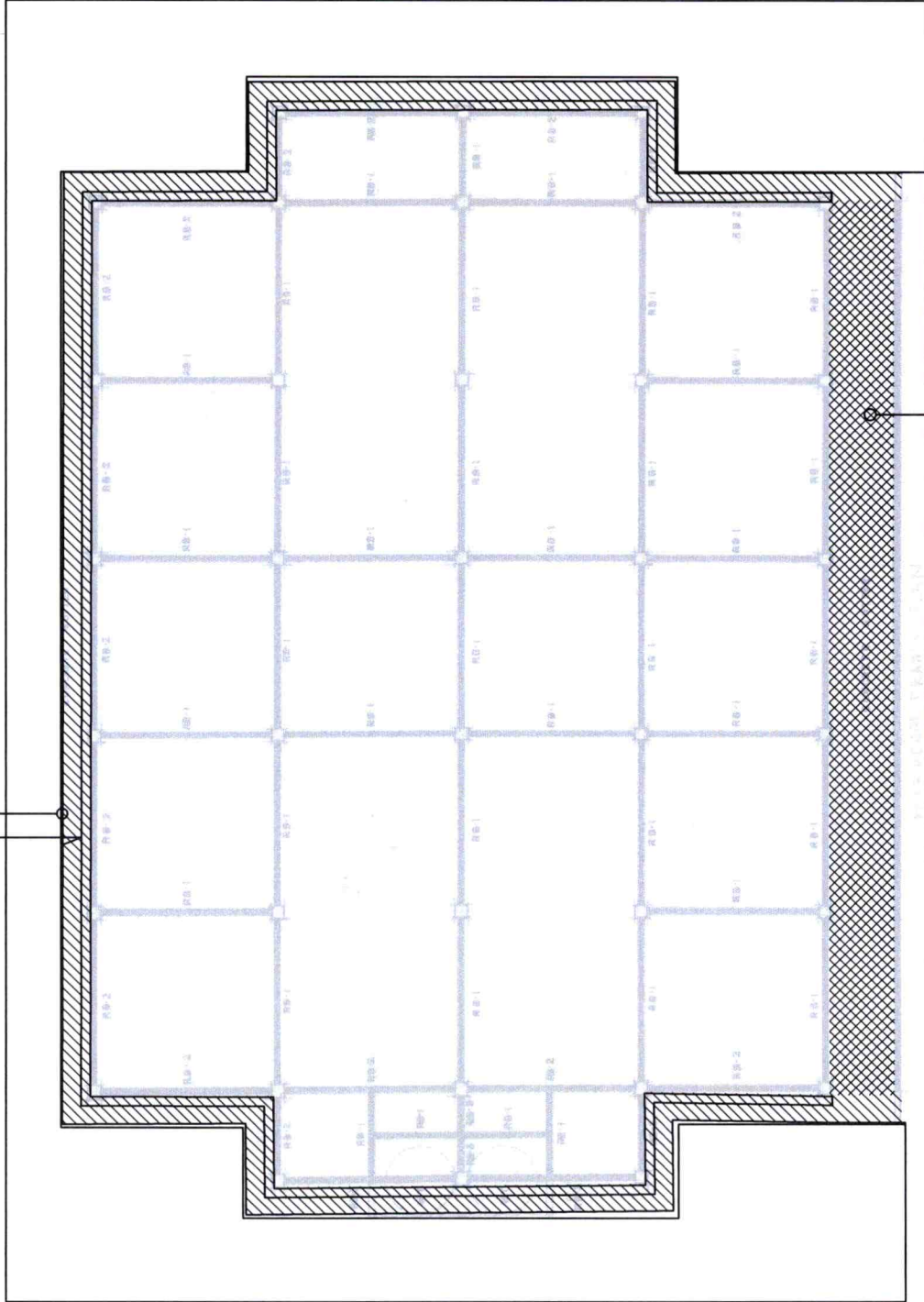
CHECKED BY

ARCHITECTURAL DRAWINGS

SHEET NO. 25-JAN-2023

A-03

NEW 1/2 SIGHT GUTTER  
CLADDING COVER } NEW GUTTER\_REF DETAIL BB



RE: DIST. SUB. REF. DETAIL AA

**APPROVED**  
MALDIVES POLICE SERVICE

SIGN: \_\_\_\_\_  
NAME: **AD AHMED SADHEEM**  
DESIGNATION: **HEAD OF IDU**  
DATE: **25-01-23**

NEW ROOF GUTTER PLAN

SCALE 1:100



PROJECT TITLE:  
 BETHMAFUSHI POLICE STATION  
 RENOVATION

MALDIVES POLICE SERVICE SEAL & SIGN

CONTRACTORS SEAL & SIGN

THE DRAWING, CONCEPT AND DESIGN CONTAINED AREA  
 THE PROPERTIES OF MALDIVES POLICE SERVICE USE OF  
 THIS DRAWING IS STRICTLY FOR THE PROJECTS AND NOT FOR  
 ANY OTHER PROJECTS OR DESIGN OR USE IN OTHER  
 PROJECTS OR SITES OTHER THAN THAT SPECIFIED ON  
 THIS DRAWING IS STRICTLY PROHIBITED

ARCHITECT/DESIGNER DRAWN BY

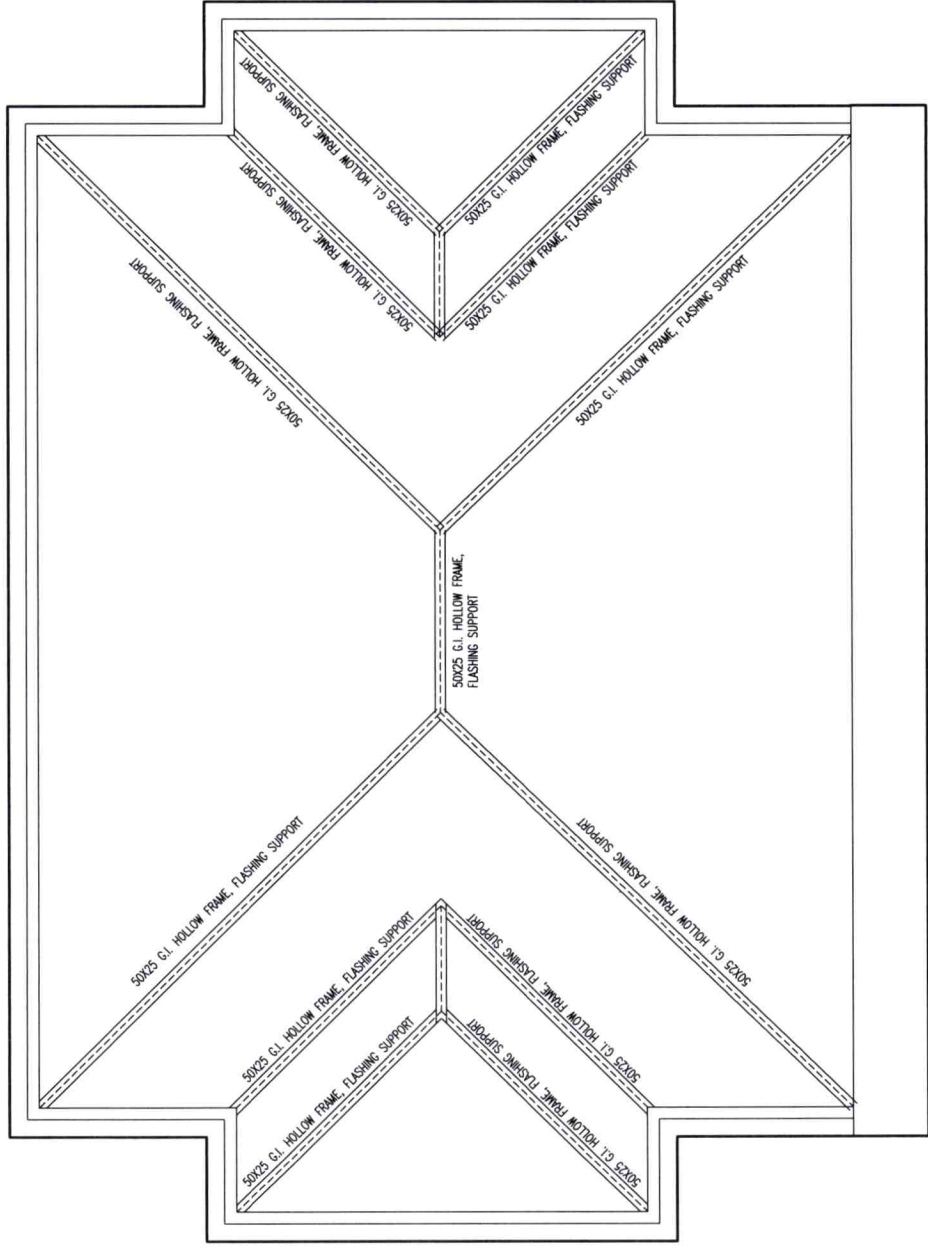
STRUCTURAL ENGINEER DRAWN BY

CHECKED BY

ARCHITECTURAL DRAWINGS

SHEET NO. 25-JAN-2023

A-04



**APPROVED**  
 MALDIVES POLICE SERVICE

SIGN: *[Signature]*  
 NAME: **AD AHMED SADHEEM**  
 DESIGNATION: **HEAD OF IDU**  
 DATE: **26-01-23**

TIN FLASHING SUPPORT FRAME  
 SCALE 1:100



INFRASTRUCTURE AND BUILDING DEVELOPMENT  
MALDIVES POLICE SERVICE

PROJECT TITLE:  
BEYONDHUSH POLICE STATION RENOVATION

MALDIVES POLICE SERVICE SEAL & SIGN

CONTRACTORS SEAL & SIGN

THE DRAWING(S) AND SPECIFICATIONS HEREBY FORWARDED ARE THE PROPERTY OF MALDIVES POLICE SERVICE USE OF ANY PART OR COPY OF WHOLE OR PART OF THE DRAWING(S) FOR ANY OTHER PROJECTS OR SPECIFICATIONS WITHOUT THE WRITTEN PERMISSION OF THE DRAWING(S) IS STRICTLY PROHIBITED ON

ARCHITECT/DESIGNER DRAFTED BY

STRUCTURAL ENGINEER DRAFTED BY

CHECKED BY

ARCHITECTURAL DRAWINGS  
SHEET NO. 25-JAN-2023  
A-05

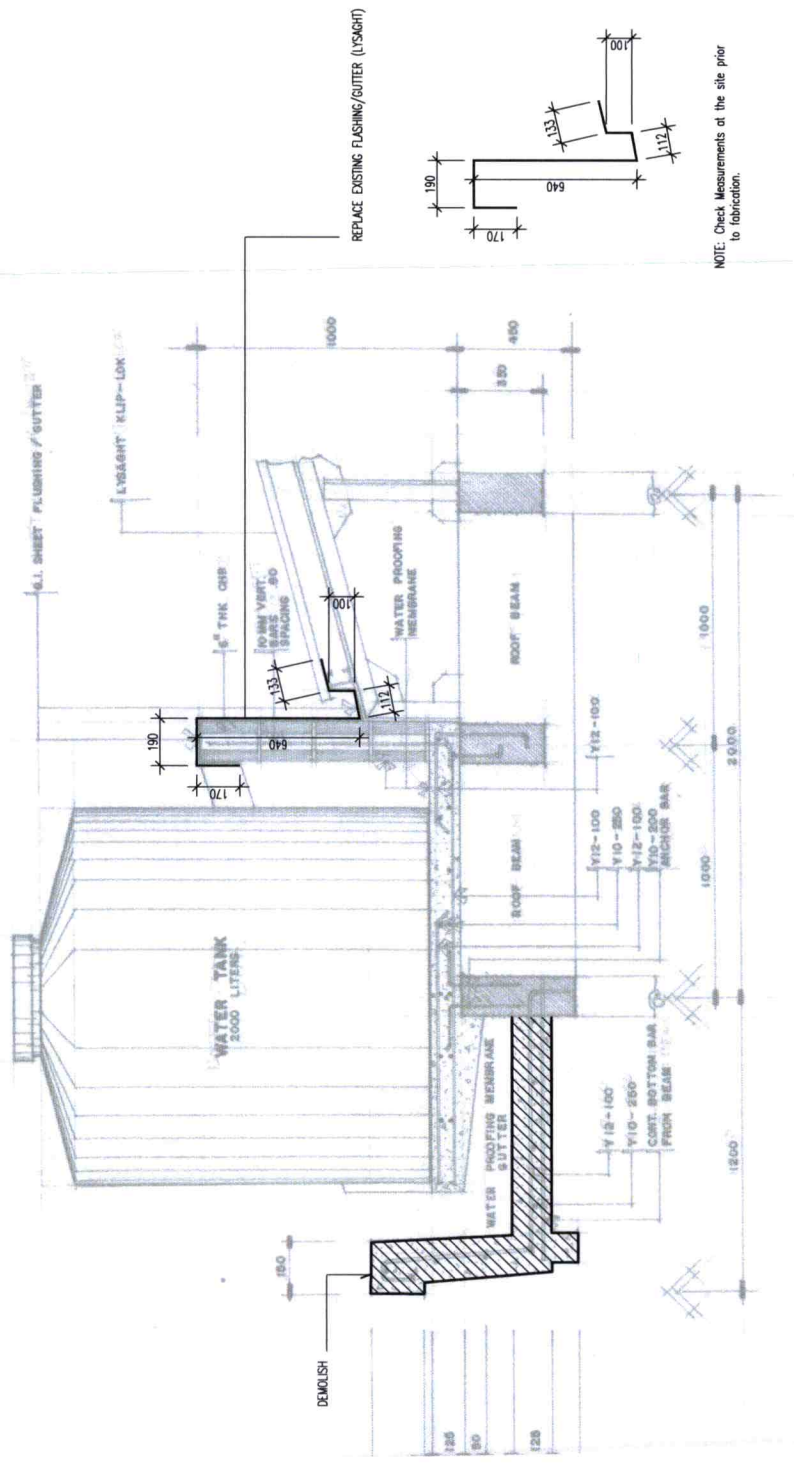
**APPROVED**  
MALDIVES POLICE SERVICE

SIGN:

NAME: AD AHMED SADHEEM

DESIGNATION: HEAD OF IDU

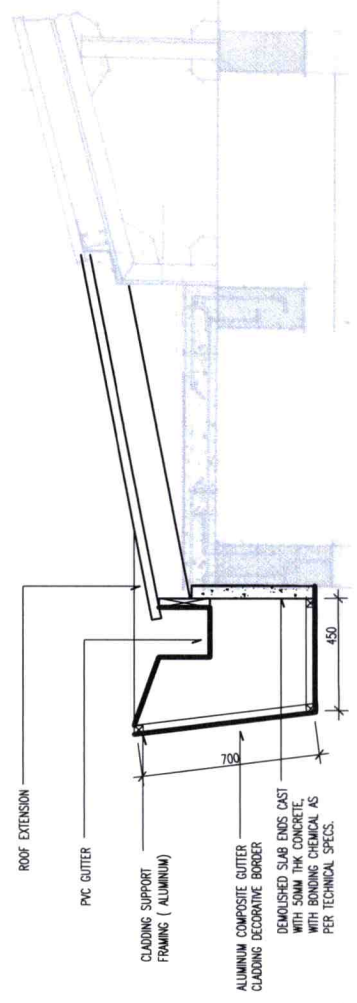
DATE: 26-01-23



REPLACE EXISTING FLASHING/GUTTER (LYSAGHT)

NOTE: Check Measurements of the site prior to fabrication.

DETAIL C  
SCALE 1:20



DETAIL CC  
SCALE 1:20



INFRASTRUCTURE AND BUILDING DEVELOPMENT  
MALDIVES POLICE SERVICE

PROJECT TITLE:  
B.EYOHAFUSHI POLICE STATION RENOVATION

MALDIVES POLICE SERVICE SEAL & SIGN

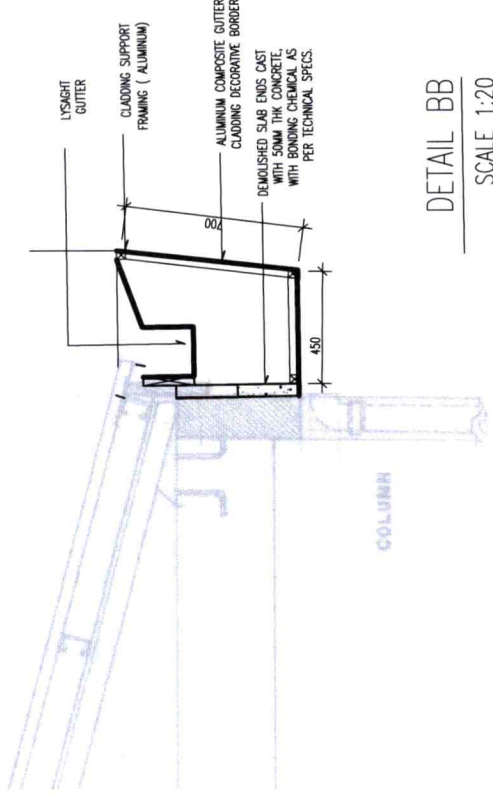
CONTRACTORS SEAL & SIGN

THE DRAWINGS, SPECIFICATIONS AND NOTES CONTAINED HEREIN ARE THE PROPERTY OF MALDIVES POLICE SERVICE AND NO PART OF THIS DOCUMENT IS TO BE REPRODUCED OR TRANSMITTED IN ANY FORM OR BY ANY MEANS, ELECTRONIC OR MECHANICAL, INCLUDING PHOTOCOPYING, RECORDING, OR BY ANY INFORMATION STORAGE AND RETRIEVAL SYSTEM, WITHOUT THE WRITTEN PERMISSION OF MALDIVES POLICE SERVICE. THIS DRAWING IS STRICTLY PROHIBITED ON REUSE.

ARCHITECT/DESIGNER: [ ] DATED BY: [ ]  
STRUCTURAL ENGINEER: [ ] DATED BY: [ ]  
CHECKED BY: [ ] CHECKED BY: [ ]

ARCHITECTURAL DRAWINGS  
SHEET NO. 25-JUN-2023

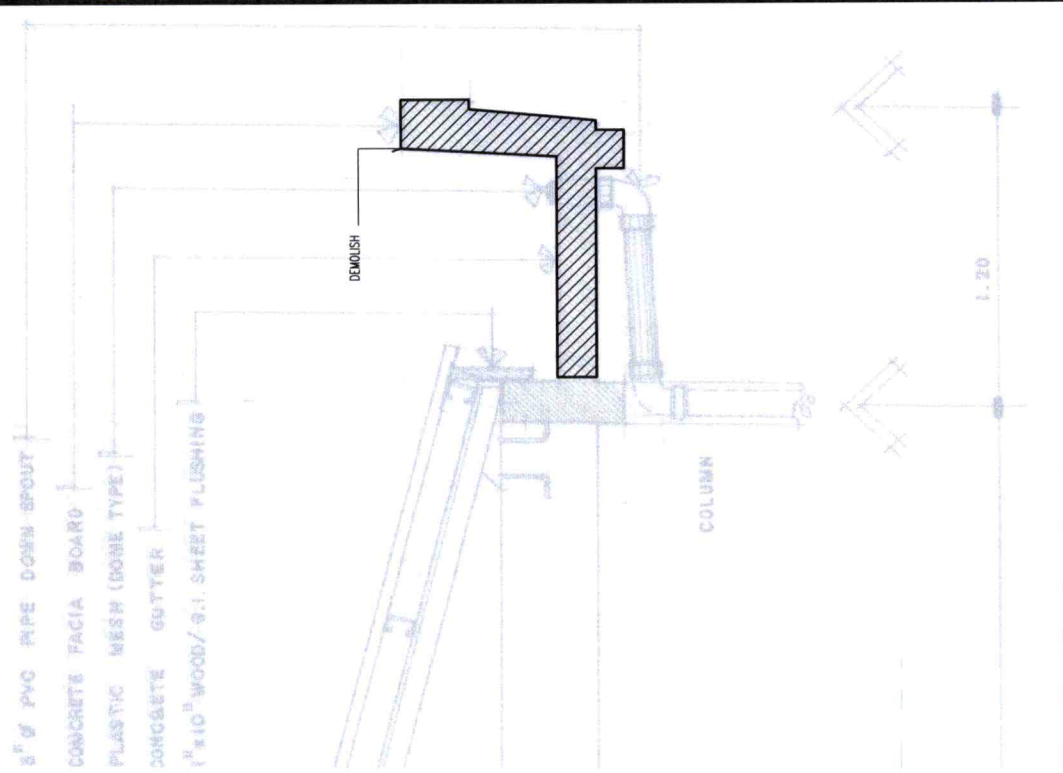
A-06



DETAIL BB  
SCALE 1:20

**APPROVED**  
MALDIVES POLICE SERVICE

SIGN: [Signature]  
NAME: AD AHMED SAOHEEM  
DESIGNATION: HEAD OF IOU  
DATE: 26-01-23



- 2" PVC PIPE DOWN SPOUT
- CONCRETE FACIA BOARD
- PLASTIC MESH (BOME TYPE)
- CONCRETE GUTTER
- 1"x10" WOOD/2"x1 SHEET PLYSING

DETAIL B  
SCALE 1:20



PROJECT TITLE:  
BEYDHAFUSHI POLICE STATION  
RENOVATION

MALDIVES POLICE SERVICE SEAL & SIGN

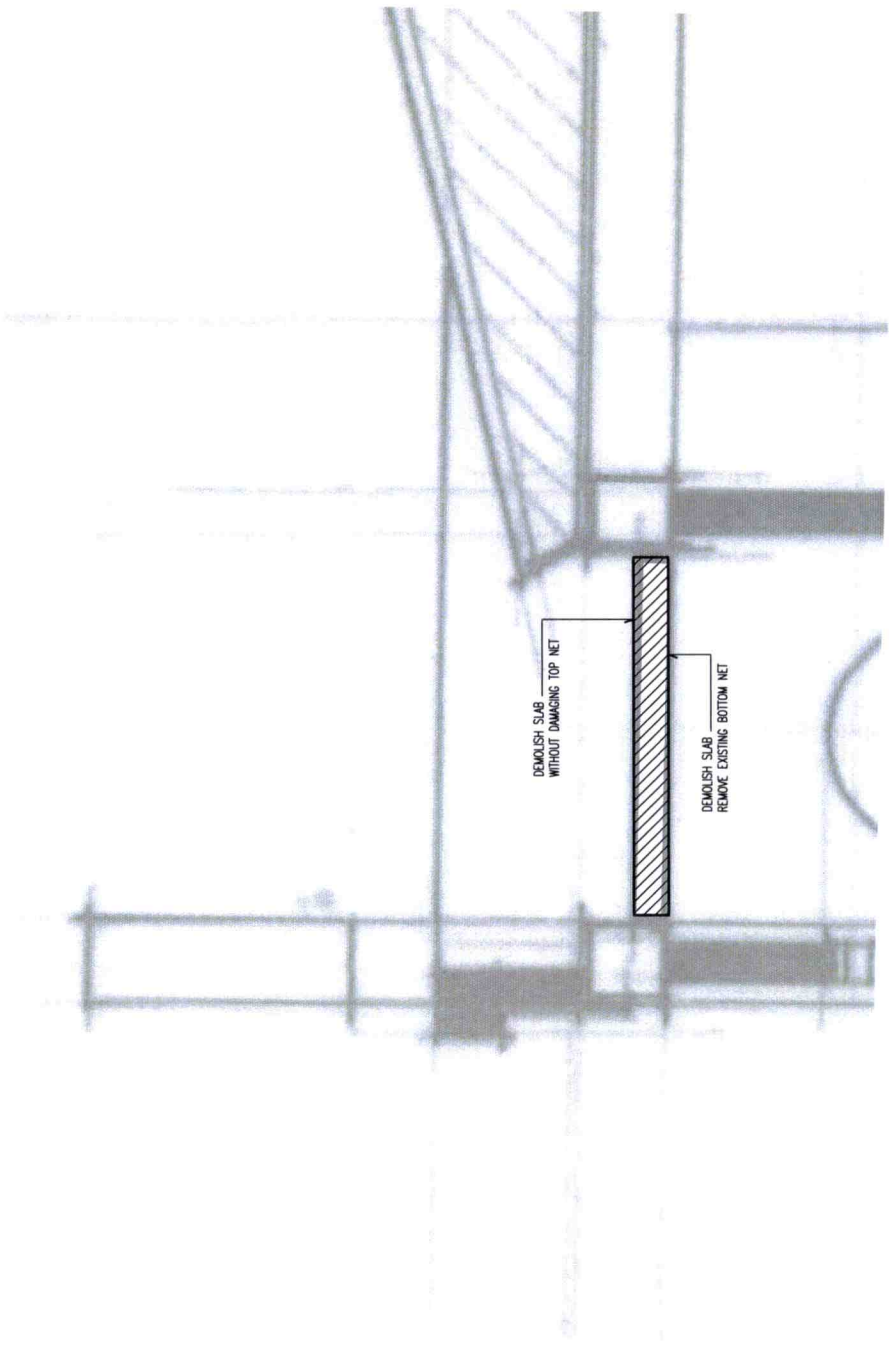
CONTRACTORS SEAL & SIGN

THE DRAWINGS, SPECIFICATIONS AND NOTES CONTAINED HEREIN ARE THE PROPERTY OF MALDIVES POLICE SERVICE. NO PART OF THIS DOCUMENT OR ANY INFORMATION CONTAINED HEREIN IS TO BE REPRODUCED OR TRANSMITTED IN ANY FORM OR BY ANY MEANS, ELECTRONIC OR MECHANICAL, INCLUDING PHOTOCOPYING, RECORDING, OR BY ANY INFORMATION STORAGE AND RETRIEVAL SYSTEM, WITHOUT THE WRITTEN PERMISSION OF MALDIVES POLICE SERVICE. THIS DRAWING IS STRICTLY PROHIBITED ON

ARCHITECT/DESIGNER DATED BY  
STRUCTURAL ENGINEER DATED BY  
CHECKED BY CHECKED BY

ARCHITECTURAL DRAWINGS  
SHEET NO. 25-JAN-2023

A-07



DETAIL A  
SCALE 1:20

**APPROVED**  
MALDIVES POLICE SERVICE

SIGN:

NAME: **ADHIMEO SADHEEM**

DESIGNATION: **HEAD OF IOU**

DATE: **26-01-23**





INFRASTRUCTURE AND BUILDING DEVELOPMENT  
MALDIVES POLICE SERVICE

PROJECT TITLE:  
B.EYCHAKUSHI POLICE STATION RENOVATION

MALDIVES POLICE SERVICE SEAL & SIGN

CONTRACTORS SEAL & SIGN

THE DRAWINGS, CONCEPT AND DESIGN CONTAINED HEREIN ARE THE PROPERTY OF MALDIVES POLICE SERVICE. REUSE OF ANY PART OR COPY OF WHOLE OR PART OF THIS DRAWING FOR ANY PROJECTS OR SITES OTHER THAN THAT SPECIFIED ON THIS DRAWING IS STRICTLY PROHIBITED.

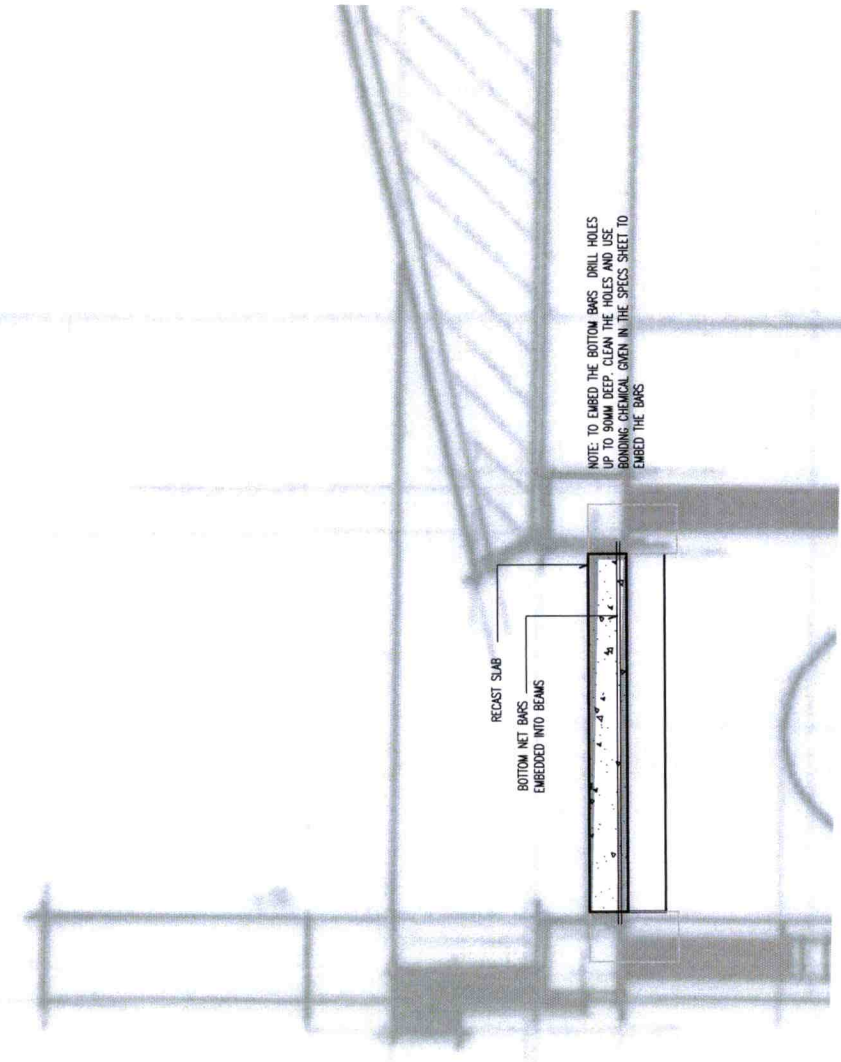
ARCHITECT/DESIGNER: [Blank] DATED BY: [Blank]

STRUCTURAL ENGINEER: [Blank] DATED BY: [Blank]

CHECKED BY: [Blank] CHECKED BY: [Blank]

ARCHITECTURAL DRAWINGS  
SHEET NO. 25-JAN-2023

A-08

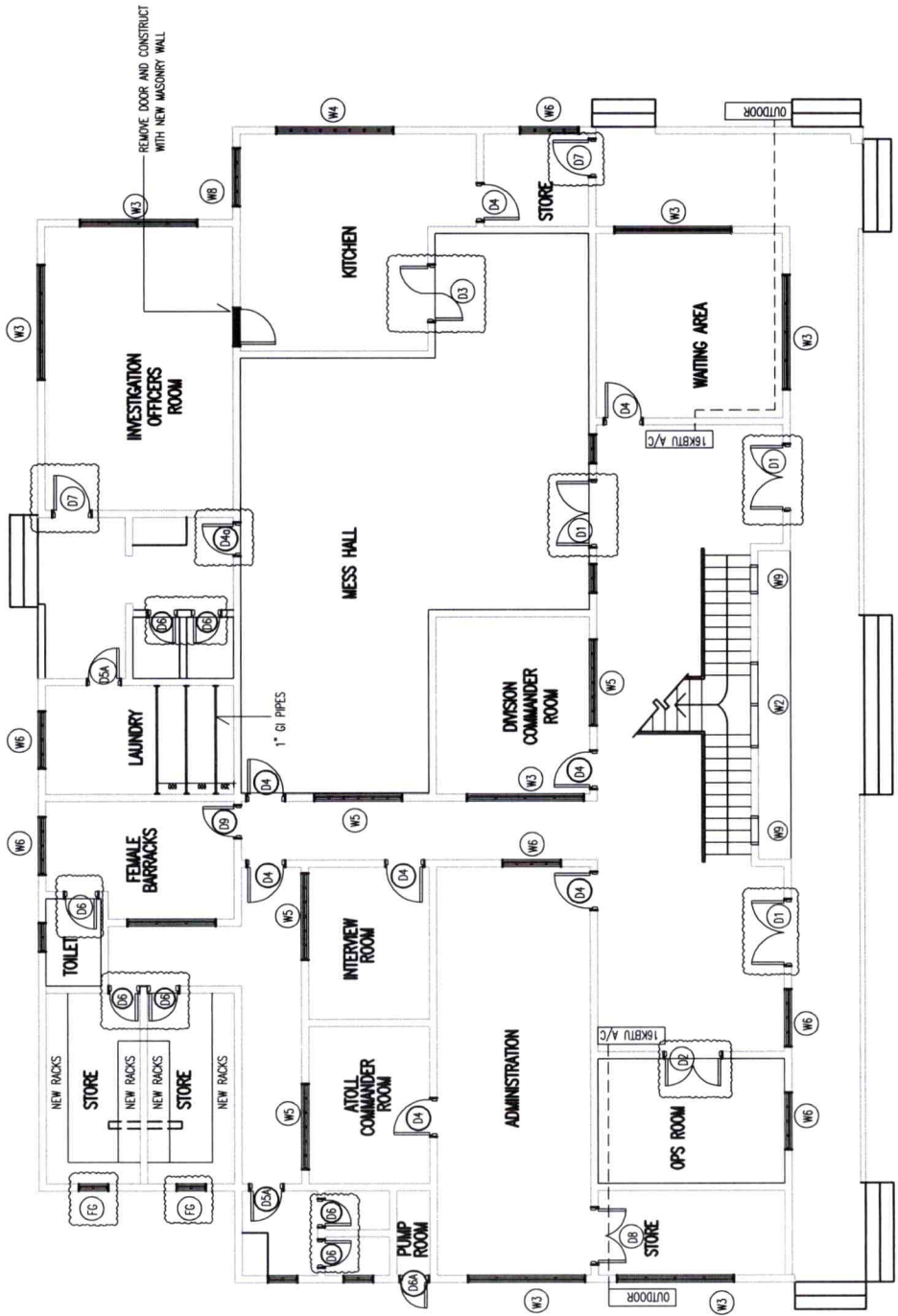


DETAIL AA  
SCALE 1:20

APPROVED  
MALDIVES POLICE SERVICE

SIGN: [Signature]  
NAME: **AD AHMED SADHEEM**  
DESIGNATION: **HEAD OF IOU**  
26-01-23

A-09



**APPROVED**  
MALDIVES POLICE SERVICE

SIGN:   
NAME: AD AHMED SADIHEM  
DESIGNATION: HEAD OF IDU  
DATE: 26-01-23

GROUND FLOOR PLAN  
SCALE 1:100

PROJECT TITLE:  
B. EYOHAKUSHI POLICE STATION  
RENOVATION

MALDIVES POLICE SERVICE SEAL & SIGN

CONTRACTORS SEAL & SIGN

THE DRAWING CONTRACTOR HAS BEEN ADVISED THAT ANY AND OR COPY OF WHOLE OR PART OF THIS DRAWING IS NOT TO BE REPRODUCED OR TRANSMITTED IN ANY FORM OR BY ANY MEANS, ELECTRONIC OR MECHANICAL, INCLUDING PHOTOCOPYING, RECORDING, OR BY ANY INFORMATION STORAGE AND RETRIEVAL SYSTEM, WITHOUT THE WRITTEN PERMISSION OF THE ARCHITECT. THIS DRAWING IS STRICTLY CONFIDENTIAL.

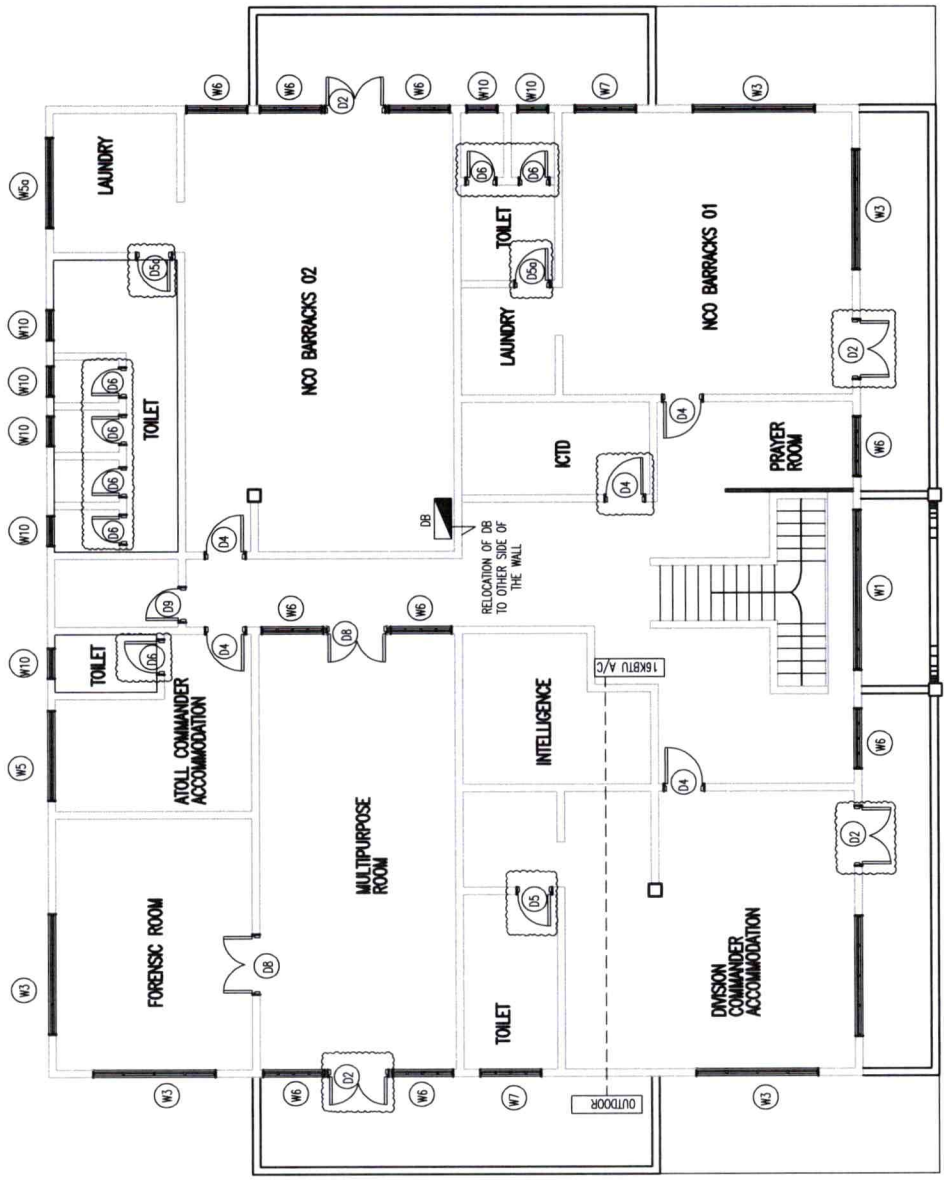
ARCHITECT/DESIGNER: [Signature] DATED BY:

STRUCTURAL ENGINEER: [Signature] DATED BY:

CHECKED BY: [Signature] CHECKED BY:

ARCHITECTURAL DRAWINGS  
SHEET NO. 08 FEB 2022

A-10



--- WALL TO DEMOLISH  
- - - WHOLE DOOR CHANGE

FIRST FLOOR PLAN  
SCALE 1:100

APPROVED  
MALDIVES POLICE SERVICE

[Signature]

SIGN: [Signature]  
NAME: **AO AHMED SADIEM**  
DESIGNATION: **HEAD OF IOU**  
DATE: **26-01-23**

PROJECT TITLE:  
BEYOHAFUSHI POLICE STATION  
RENOVATION

MALDIVES POLICE SEAL & SIGN

CONTRACTORS SEAL & SIGN

THE DRAWINGS CONCEPT AND DESIGN CONSIDERED ARE THE PROPERTIES OF MALDIVES POLICE SERVICE USE OF ANY KIND OR COPY OF WHOLE OR PART OF THE DRAWINGS FOR ANY OTHER PROJECTS OR SITES OTHER THAN THAT SPECIFIED ON THIS DRAWING IS STRICTLY PROHIBITED

ARCHITECT/DESIGNER DRAFTED BY  
STRUCTURAL ENGINEER DRAFTED BY  
CHECKED BY  
CHECKED BY

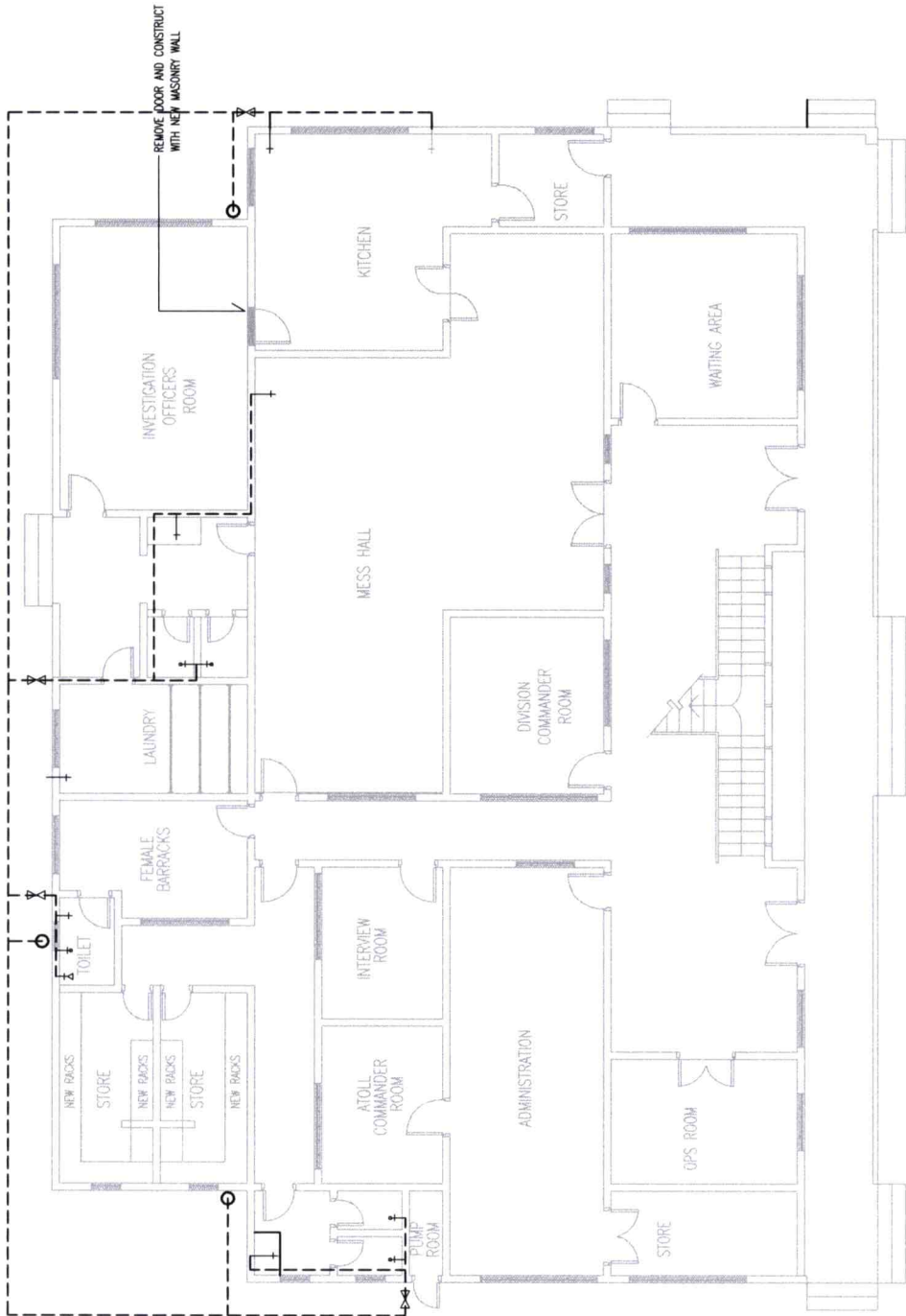
ARCHITECTURAL DRAWINGS  
SHEET NO. 25-JAN-2023

A-11

APPROVED -  
MALDIVES POLICE SERVICE

*(Signature)*

SIGN: \_\_\_\_\_  
NAME: **AP AHMED SADIEM**  
DESIGNATION: **HEAD OF IDU**  
DATE: **26-01-23**



- TAP POINT (M.C & MUSLIM SHOWER)
- FAUCET (WASH BASIN)
- WASHING MACHINE TAP
- STOP VALVE
- SHOWER HEAD 02.1M
- STOP VALVE PROVIDED INSIDE
- \* ALL MAIN WATER SUPPLY PIPES = 1 INCH HIGH PRESSURE PIPES
- \* INSIDE WALL PIPES = 1/2 INCH HIGH PRESSURE PIPES

GROUND FLOOR PLAN (PRESSURE LINE)  
SCALE 1:100

PROJECT TITLE:  
BLEDHAFUSHI POLICE STATION  
RENOVATION

MALDIVES POLICE SERVICE SEAL & SIGN

CONTRACTORS SEAL & SIGN

THE DRAWINGS CONCEPT AND DESIGN CONTAINED AREA  
THE PROPERTIES OF MALDIVES POLICE SERVICE USE OF  
ANY KIND OR COPY OR REPRODUCE OR PART OF ANY  
PROJECTS OR SKETCHES OTHER THAN THAT SPECIFIED ON  
THIS DRAWING IS STRICTLY PROHIBITED

ARCHITECT/DESIGNER DRAWN BY

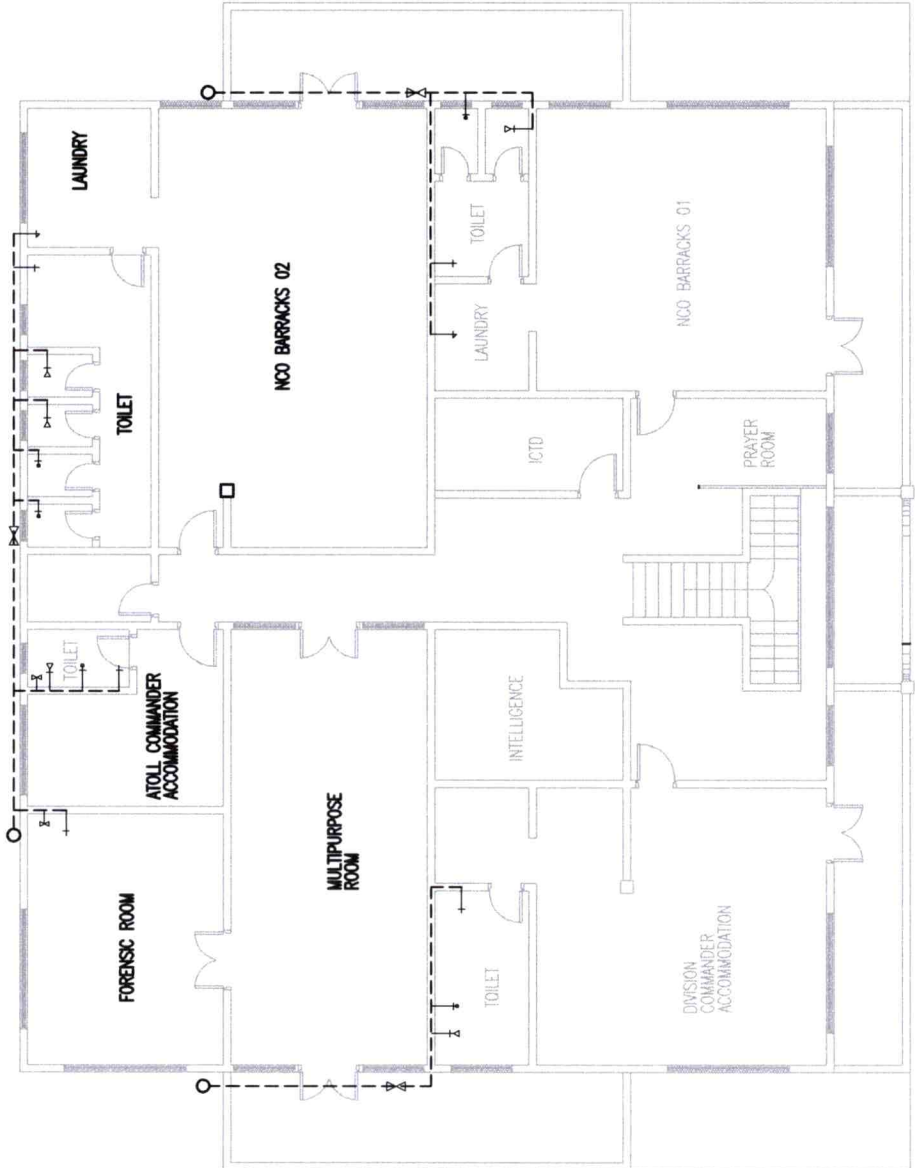
STRUCTURAL ENGINEER DRAWN BY

CHECKED BY

ARCHITECTURAL DRAWINGS

SHEET NO. 08 FEB 2022

A-12




- +— TAP POINT (W.C. & MUSLIM SHOWER)
- +— FAUCET (WASH BASIN)
- +— WASHING MACHINE TAP
- +— STOP VALVE
- +— SHOWER HEAD 0.21M
- +— STOP VALVE PROVIDED INSIDE

\* ALL MAIN WATER SUPPLY PIPES = 1 INCH HIGH PRESSURE PIPES  
\* INSIDE WALL PIPES = 1/2 INCH HIGH PRESSURE PIPES

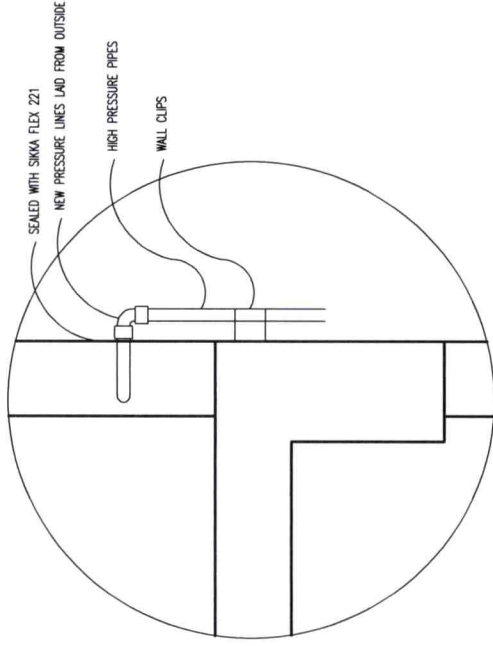
FIRST FLOOR PLAN (PRESSURE LINE)

SCALE 1:100

APPROVED  
MALDIVES POLICE SERVICE



SIGN: \_\_\_\_\_  
NAME: **AD AHMED SADIEGM**  
DESIGNATION: **HEAD OF IDP**  
DATE: **26-01-23**



NEW PRESSURED LINES DETAILS

SCALE 1:10



PROJECT TITLE:  
BEYOHATHUSHI POLICE STATION  
RENOVATION

MALDIVES POLICE SERVICE SEAL & SIGN

CONTRACTORS SEAL & SIGN

THE DRAWINGS, SPECIFICATIONS AND NOTES CONTAINED HEREIN ARE THE PROPERTY OF MALDIVES POLICE SERVICE. NO PART OF THIS DRAWING OR ANY INFORMATION CONTAINED HEREIN IS TO BE REPRODUCED OR TRANSMITTED IN ANY FORM OR BY ANY MEANS, ELECTRONIC OR MECHANICAL, INCLUDING PHOTOCOPYING, RECORDING, OR BY ANY INFORMATION STORAGE AND RETRIEVAL SYSTEM, WITHOUT THE WRITTEN PERMISSION OF MALDIVES POLICE SERVICE. THIS DRAWING IS STRICTLY PROHIBITED ON.

ARCHITECT/DESIGNER DRAFTED BY

STRUCTURAL ENGINEER DRAFTED BY

CHECKED BY

ARCHITECTURAL DRAWINGS

SHEET NO. OF FEB 2022

A-13

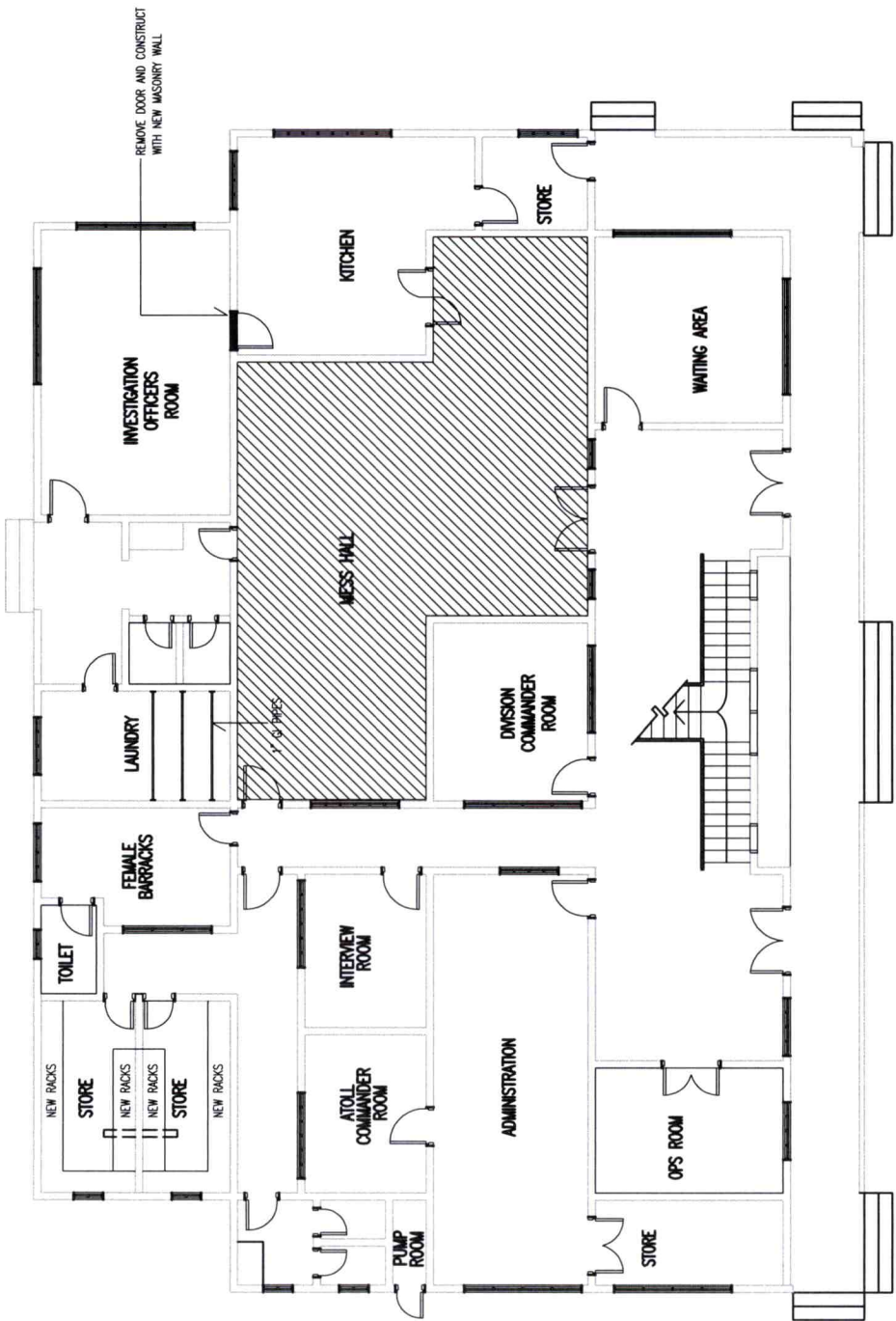
APPROVED  
MALDIVES POLICE SERVICE

SIGN: 

NAME: AD AHMED SADTHEM

DESIGNATION: HEAD OF IOU

DATE: 26-01-23



9MM CEMENT BOARD CEILING  
9MM GYPSUM BOARD CEILING

**APPROVED**  
MALDIVES POLICE SERVICE

SIGN: [Signature]  
NAME: **AD AHMED SADHEEM**  
DESIGNATION: **HEAD OF IOU**  
DATE: **26-01-23**

GROUND FLOOR PLAN(NEW CEILINGS)  
SCALE 1:100



PROJECT TITLE:  
 BLEDHAFUSHI POLICE STATION  
 RENOVATION

MALDIVES POLICE SERVICE SEAL & SIGN

CONTRACTORS SEAL & SIGN

THE DRAWINGS CONCEPT AND SCOPE COVERED AREA  
 THE PROPERTIES OF MALDIVES POLICE SERVICE USE OF  
 ANY KIND OR COPY OF WHOLE OR PART OF THIS  
 PROJECTS OR SERIES OTHER THAN THAT SPECIFIED ON  
 THIS DRAWINGS IS STRICTLY PROHIBITED

ARCHITECT/DESIGNER DRAWN BY

STRUCTURAL ENGINEER DATED BY

CHECKED BY

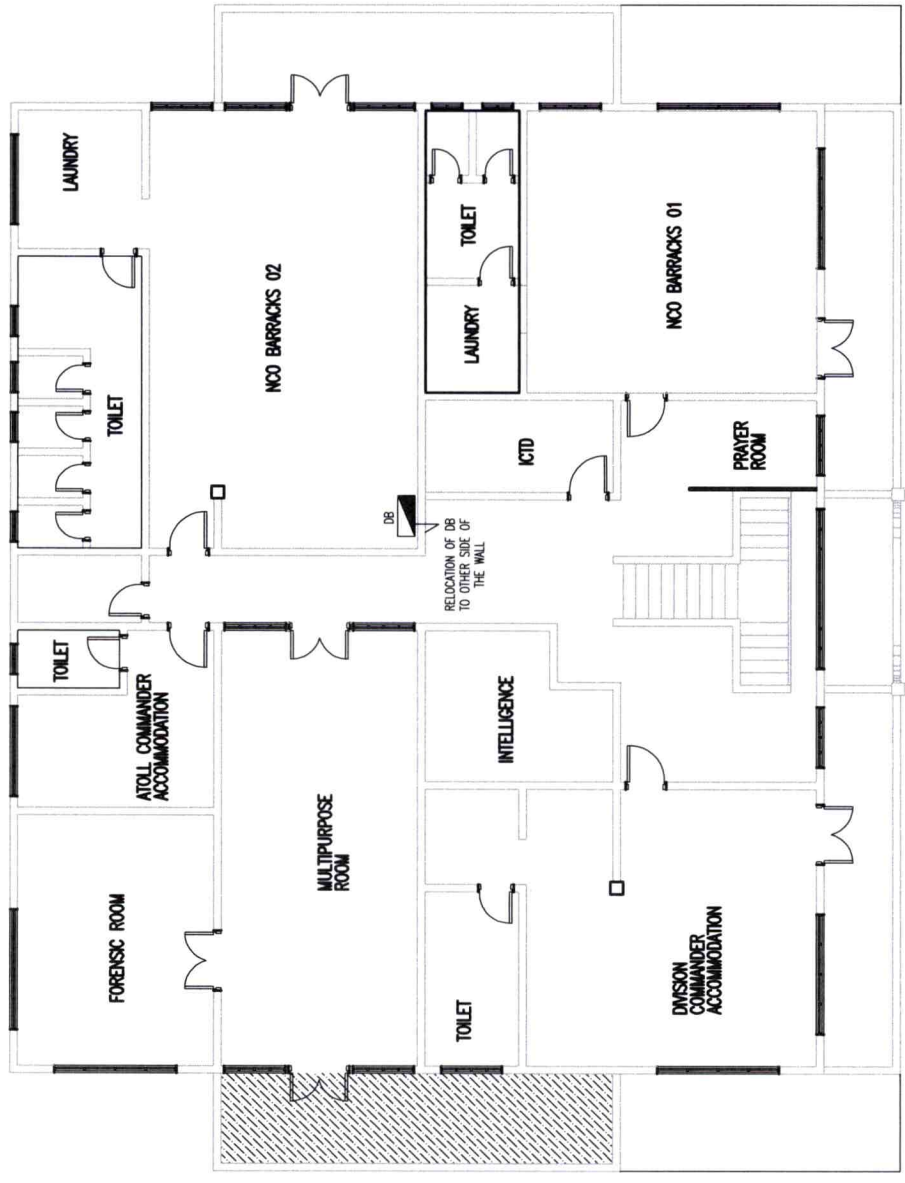
ARCHITECTURAL DRAWINGS

SHEET NO. 25-JAN-2023

A-15

**APPROVED**  
 MALDIVES POLICE SERVICE

SIGN: *[Signature]*  
 NAME: **AD AHMED SADIHEEM**  
 DESIGNATION: **HEAD OF IDU**  
 DATE: **26-01-23**



FIRST FLOOR PLAN(NEW CEILINGS)  
 SCALE 1:100



PROJECT TITLE:  
BEYDHAFUSHI POLICE STATION  
RENOVATION

MALDIVES POLICE SERVICE SEAL & SIGN

CONTRACTORS SEAL & SIGN


THE DRAWING CONTRACTOR AND DESIGN CONSULTANT ARE NOT RESPONSIBLE FOR THE PROVISIONS OF MALDIVES POLICE SERVICE OF ANY AND OR COPY OF WHOLE OR PART OF THIS DRAWING FOR ANY OTHER PROJECTS OR SITES OTHER THAN THAT SPECIFIED ON THIS DRAWING IS STRICTLY PROHIBITED

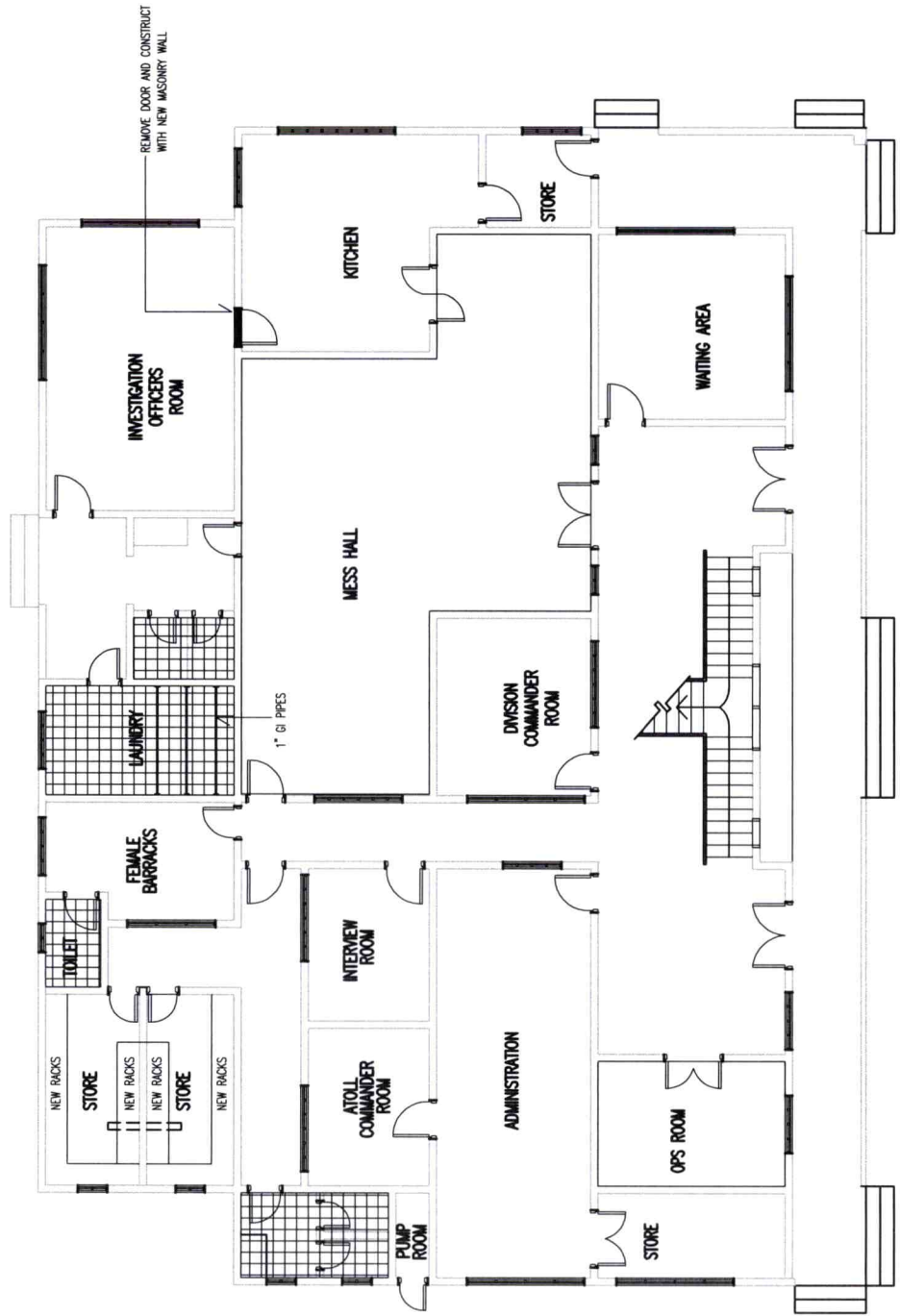
ARCHITECT/DESIGNER DRAWN BY  
STRUCTURAL ENGINEER DRAWN BY  
CHECKED BY CHECKED BY

ARCHITECTURAL DRAWINGS  
SHEET NO. 25-JAN-2023

A-16

APPROVED  
MALDIVES POLICE SERVICE

SIGN:   
NAME: **AD AHMED SAABEKEM**  
DESIGNATION: **FGAD OF IDU**  
DATE: **26-01-23**



GROUND FLOOR PLAN(RE-TILING)  
SCALE 1:100



INFRASTRUCTURE AND BUILDING DEVELOPMENT  
MALDIVES POLICE SERVICE

PROJECT TITLE:  
BLEDHAKUSHI POLICE STATION  
RENOVATION

MALDIVES POLICE SERVICE SEAL & SIGN

CONTRACTORS SEAL & SIGN

ARCHITECT/DESIGNER DRAFTED BY

STRUCTURAL ENGINEER DRAFTED BY

CHECKED BY

ARCHITECTURAL DRAWINGS  
SHEET NO. 25-01-2023

A-17

THE DRAWING CONTRACTOR AND DESIGNER SHALL BE RESPONSIBLE FOR THE PROVISIONS OF MALDIVES POLICE SERVICE OF ANY KIND OR COPY OF WHOLE OR PART OF THIS DRAWING FOR ANY OTHER PROJECTS OR SITES UNLESS SPECIFIED ON THIS DRAWING IS STRICTLY PROHIBITED

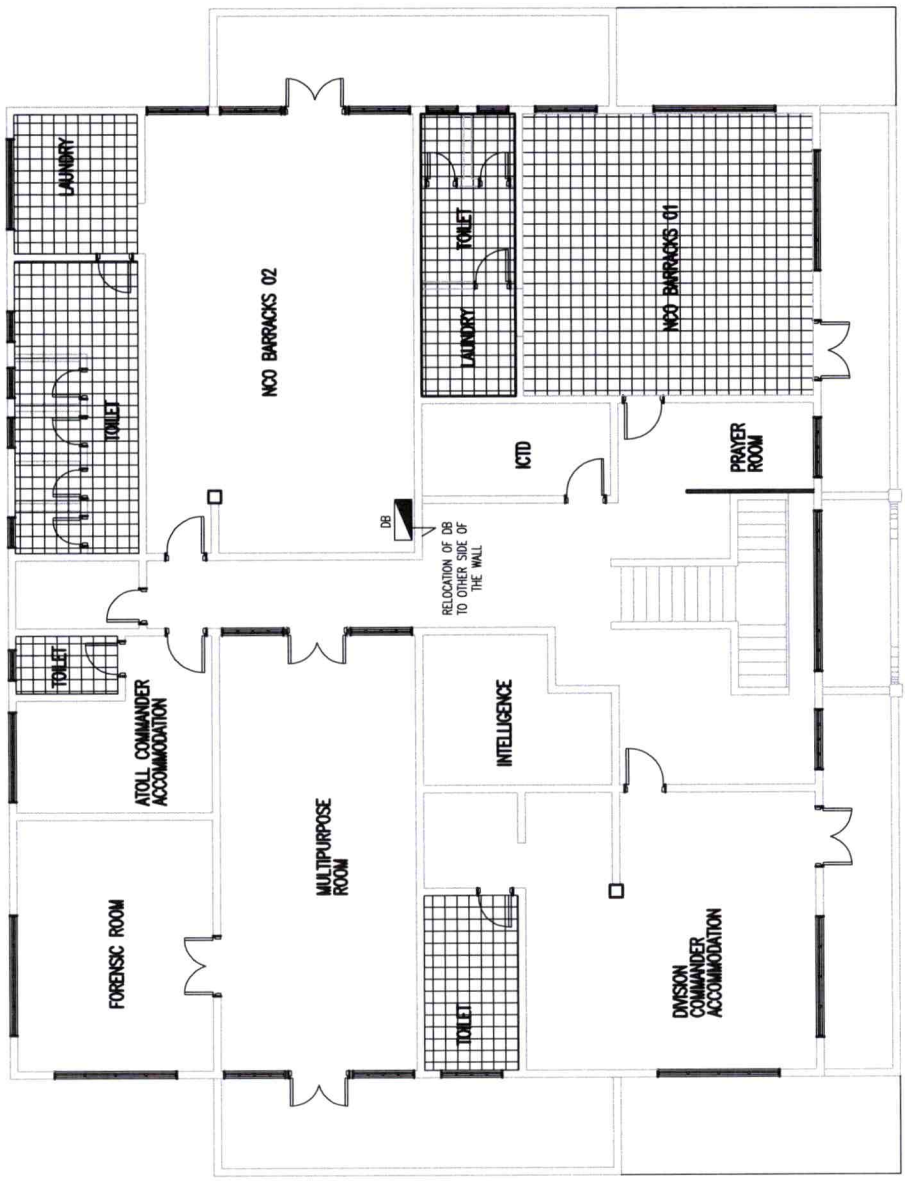
**APPROVED**  
MALDIVES POLICE SERVICE

SIGN:

NAME: **AD AHMED SADHEEM**

DESIGNATION: **MGD OF IDU**

DATE: **26-01-23**



FIRST FLOOR PLAN(RE-TILING)  
SCALE 1:100

PROJECT TITLE:  
B. EYOHKUSHI POLICE STATION RENOVATION

MALDIVES POLICE SERVICE SEAL & SIGN

CONTRACTORS SEAL & SIGN

THE DRAWINGS, CONCEPT AND DESIGN CONTAINED AREA THE PROPERTIES OF MALDIVES POLICE SERVICE. USE OF ANY PART OF THESE DRAWINGS FOR ANY OTHER PROJECTS OR SITES OTHER THAN THAT SPECIFIED ON THIS DRAWING IS STRICTLY PROHIBITED.

ARCHITECT/DESIGNER: [Signature] LIMITED BY

STRUCTURAL ENGINEER: [Signature] LIMITED BY

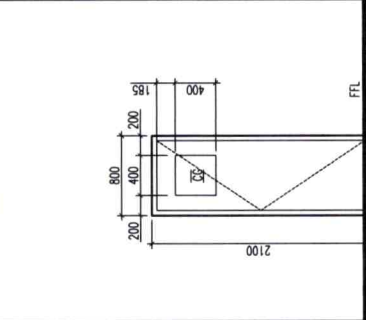
CHECKED BY: [Signature]

ARCHITECTURAL DRAWINGS

SHEET NO. 25-JAN-2023

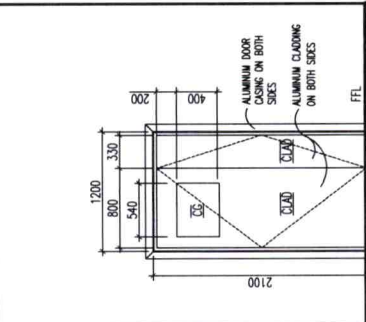
A-18

D4c	AREA	1.88 SQM
	OPEN AREA	1.43 SQM



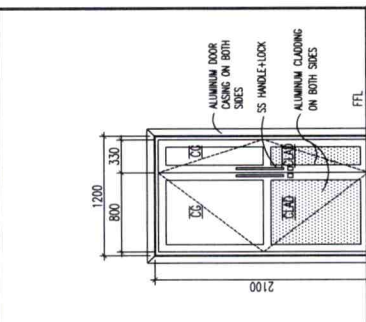
DESCRIPTION	WOODEN DOOR
MATERIALS	WOOD & GLASS
ACCESSORIES	- WEATHER SEALING - 4 NOS BEARING HINGE - MORTISE LOCK/PNEUMATIC DOOR CLOSER - FLOOR FIX MAGNETIC DOOR STOPPER - BOTTOM SWEEP NYLON BRUSH
FINISHING	OIL BASED PAINT

D3	AREA	2.52 SQM
	OPEN AREA	2.33 SQM



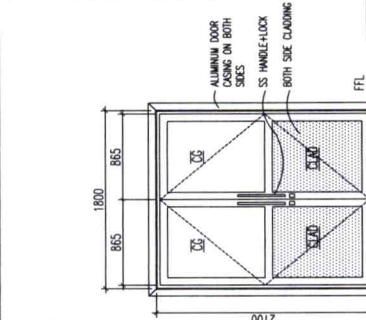
DESCRIPTION	ENTRANCE DOOR (DOUBLE SWING)
MATERIALS	ALUMINUM/CLADDING AND GLASS
ACCESSORIES	- WEATHER SEALING - 4 NOS BEARING HINGE/SIDE - MORTISE LOCK/PNEUMATIC DOOR CLOSER - FLOOR FIX MAGNETIC DOOR STOPPER - BOTTOM SWEEP NYLON BRUSH
FINISHING	POWDER COATED WHITE

D2	AREA	2.52 SQM
	OPEN AREA	2.33 SQM



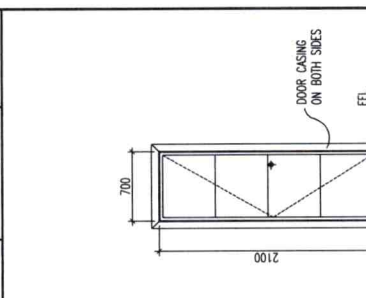
DESCRIPTION	ENTRANCE DOOR
MATERIALS	ALUMINUM/CLADDING AND GLASS
ACCESSORIES	- WEATHER SEALING, 4 NOS LATCH LOCKS - 4 NOS BEARING HINGE/SIDE, SS HANDLE - MORTISE LOCK/PNEUMATIC DOOR CLOSER - FLOOR FIX MAGNETIC DOOR STOPPER - BOTTOM SWEEP NYLON BRUSH
FINISHING	POWDER COATED WHITE

D1	AREA	2.94 SQM
	OPEN AREA	2.75 SQM



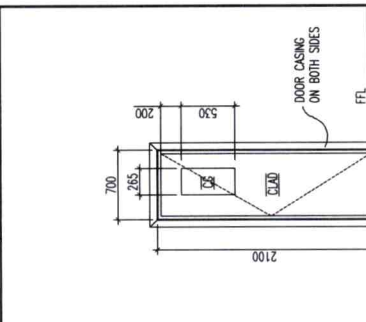
DESCRIPTION	ENTRANCE DOOR
MATERIALS	ALUMINUM/CLADDING AND GLASS
ACCESSORIES	- WEATHER SEALING, 4 NOS LATCH LOCKS - 4 NOS BEARING HINGE/SIDE, SS HANDLE - MORTISE LOCK/PNEUMATIC DOOR CLOSER - FLOOR FIX MAGNETIC DOOR STOPPER - BOTTOM SWEEP NYLON BRUSH
FINISHING	POWDER COATED WHITE

D5	AREA	1.47 SQM
	OPEN AREA	1.30 SQM



DESCRIPTION	ENTRANCE DOOR (TOILET & SHOWER)
MATERIALS	FIBRE/ALUMINUM
ACCESSORIES	- 4 NOS BEARING HINGE (WITH SS SCREWS) - KEYLESS KNOB LOCK, - FLOOR FIX MAGNETIC DOOR STOPPER
FINISHING	WHITE COLOR

D5a	AREA	1.47 SQM
	OPEN AREA	1.30 SQM



DESCRIPTION	LAUNDRY DOOR
MATERIALS	ALUMINUM
ACCESSORIES	- 4 NOS BEARING HINGE (WITH SS SCREWS) - KEYLESS KNOB LOCK, - FLOOR FIX MAGNETIC DOOR STOPPER
FINISHING	WHITE COLOR

1. CONFIRM ACTUAL MEASUREMENTS ON SITE BEFORE FABRICATION
  2. SUBMIT ACCESSORIES AND SHOP DRAWINGS FOR APPROVAL
  3. FOR DOOR SWING REFER FLOOR PLANES
  4. INSTALL LINTEL BEAM ABOVE DOORS/WINDOWS NOT TOUCHING BEAM BOTTOM
  5. INSTALL SILL BEAM BELOW WINDOWS
  6. ALL DOOR/WINDOWS VIEWED FROM EXTERIOR
- NEL= NATURAL GROUND LEVEL FFL= FINISHED FLOOR LEVEL FG= FIXED GLASS  
WD=WOOD CG=CLEAR CA=ALUMINUM CLADDING GLASS LW=LOWERS RG=REFLECTIVE GLASS

DOOR WINDOW SCHEDULE  
SCALE 1:50

APPROVE  
MALDIVES POLICE SERVICE

SIGN: [Signature]  
NAME: AD AHMGO SADHEEM  
DESIGNATION: HEAD OF IOU  
DATE: 26-01-23

THE DRAWINGS/CONCEPT AND DESIGN CONTAINED AREA THE PROPERTY OF MALDIVES POLICE SERVICE USE OF ANY PART OF THIS DRAWING FOR ANY OTHER PROJECTS OR SITES OTHER THAN THAT SPECIFIED ON THIS DRAWING IS STRICTLY PROHIBITED

**APPROVED**  
MALDIVES POLICE SERVICE -

SIGN: [Signature]  
NAME: **AD AHMED SADHEEM**  
DESIGNATION: **HEAD OF IOU**  
DATE: **26-01-23**

G01	AREA	1.89 SQM
	OPEN AREA	N/A
<p>DESCRIPTION: FIXED GLASS MATERIALS: ALUMINIUM, GLASS ACCESSORIES: WEATHER SEALING FINISHING: WHITE COATED ALUMINIUM</p>		

G01	AREA	1.88 SQM
	OPEN AREA	N/A
<p>DESCRIPTION: CELL BLOCK YARD DOOR MATERIALS: G.L.L SECTION &amp; 1" DIA G.L. BARS ACCESSORIES: 4 NOS GATE HINGE LATCH LOCK WITH PAD LOCK PROVISION FINISHING: OIL BASED PAINT</p>		

D7	AREA	1.88 SQM
	OPEN AREA	1.43 SQM
<p>DESCRIPTION: DOOR MATERIALS: FIBER/ALUMINIUM ACCESSORIES: WEATHER SEALING 4 NOS BEARING HINGE/SIDE MORTISE LOCK PNEUMATIC DOOR CLOSER, FLOOR FIX MAGNETIC DOOR STOPPER, BOTTOM SWEEP NYLON BRUSH FINISHING: WHITE COLOR</p>		

D6	AREA	1.26 SQM
	OPEN AREA	1.09 SQM
<p>DESCRIPTION: TOILET DOOR MATERIALS: FIBER/ALUMINIUM ACCESSORIES: 4 NOS BEARING HINGE [WITH SS SCREWS] KEYLESS KNOB LOCK, FLOOR FIX MAGNETIC DOOR STOPPER FINISHING: WHITE COLOR</p>		

D8	AREA	
	OPEN AREA	
<p>DESCRIPTION: WOODEN DOOR MATERIALS: WOOD ACCESSORIES: WEATHER SEALING 4 NOS BEARING HINGE MORTISE LOCK/PNEUMATIC DOOR CLOSER, FLOOR FIX MAGNETIC DOOR STOPPER BOTTOM SWEEP NYLON BRUSH FINISHING: OIL BASED PAINT</p>		

1. CONFIRM ACTUAL MEASUREMENTS ON SITE BEFORE FABRICATION
2. SUBMIT ACCESSORIES AND SHOP DRAWINGS FOR APPROVAL
3. FOR DOOR SWING REFER FLOOR PLANES
4. INSTALL LINTEL BEAM ABOVE DOORS/WINDOWS NOT TOUCHING BEAM BOTTOM
5. INSTALL SILL BEAM BELOW WINDOWS
6. ALL DOOR/WINDOWS VIEWED FROM EXTERIOR
- NG= NATURAL GROUND LEVEL FFL= FINISHED FLOOR LEVEL FG= FIXED GLASS  
WD=WOOD CG=CLAR CU=ALUMINIUM CLADDING GLASS LM=LOWERS RC=REFLECTIVE GLASS

DOOR WINDOW SCHEDULE  
SCALE 1:50



INFRASTRUCTURE AND BUILDING DEVELOPMENT  
MALDIVES POLICE SERVICE

PROJECT TITLE:  
BEYDHAFOUSHI POLICE STATION  
RENOVATION

MALDIVES POLICE SERVICE SEAL & SIGN

CONTRACTORS SEAL & SIGN

THE DRAWINGS, CONCEPT AND DESIGN CONTAINED AREA THE PROPERTIES OF MALDIVES POLICE SERVICE. NO PART OF THIS DRAWING OR DESIGN OR USE ON OTHER PROJECTS OR SITES OTHER THAN THAT SPECIFIED ON THIS DRAWING IS STRICTLY PROHIBITED.

ARCHITECT/DESIGNER

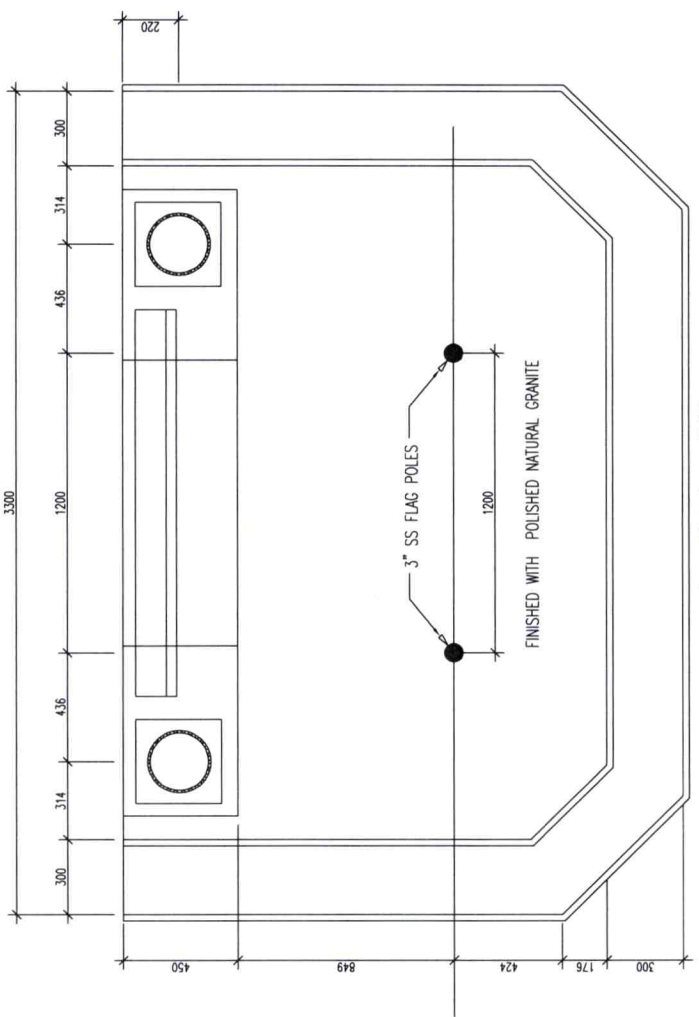
STRUCTURAL ENGINEER

CHECKED BY

ARCHITECTURAL DRAWINGS

SHEET NO. 25-JAN-2023

A-20



**FLAG POST PLAN**  
SCALE 1:20

**APPROVED**  
BY: [Signature]

**SIGN:** [Signature]

**NAME:** AD AHMED SADHEEN

**DESIGNATION:** HEAD OF IOG

**DATE:** 26-01-23



INFRASTRUCTURE AND BUILDING DEVELOPMENT  
MALDIVES POLICE SERVICE

PROJECT TITLE:  
BEYDHAUFUSHI POLICE STATION  
RENOVATION

MALDIVES POLICE SERVICE SEAL & SIGN

CONTRACTORS SEAL & SIGN

ARCHITECT/DESIGNER

STRUCTURAL ENGINEER

CHECKED BY

ARCHITECTURAL DRAWINGS

SHEET NO. 25-JAN-2023

A-21

THE DRAWINGS, CONCEPT AND DESIGN CONTAINED AREA THE PROPERTIES OF MALDIVES POLICE SERVICE USE OF ANY PART OF THIS DRAWING FOR OTHER PROJECTS OR FOR OTHER PROJECTS IN ANY OTHER FORM OR MANNER THAN THAT SPECIFIED ON THIS DRAWING IS STRICTLY PROHIBITED.

ARCHITECT/DESIGNER

STRUCTURAL ENGINEER

CHECKED BY

ARCHITECTURAL DRAWINGS

SHEET NO. 25-JAN-2023

A-21

THE DRAWINGS, CONCEPT AND DESIGN CONTAINED AREA THE PROPERTIES OF MALDIVES POLICE SERVICE USE OF ANY PART OF THIS DRAWING FOR OTHER PROJECTS OR FOR OTHER PROJECTS IN ANY OTHER FORM OR MANNER THAN THAT SPECIFIED ON THIS DRAWING IS STRICTLY PROHIBITED.

ARCHITECT/DESIGNER

STRUCTURAL ENGINEER

CHECKED BY

ARCHITECTURAL DRAWINGS

SHEET NO. 25-JAN-2023

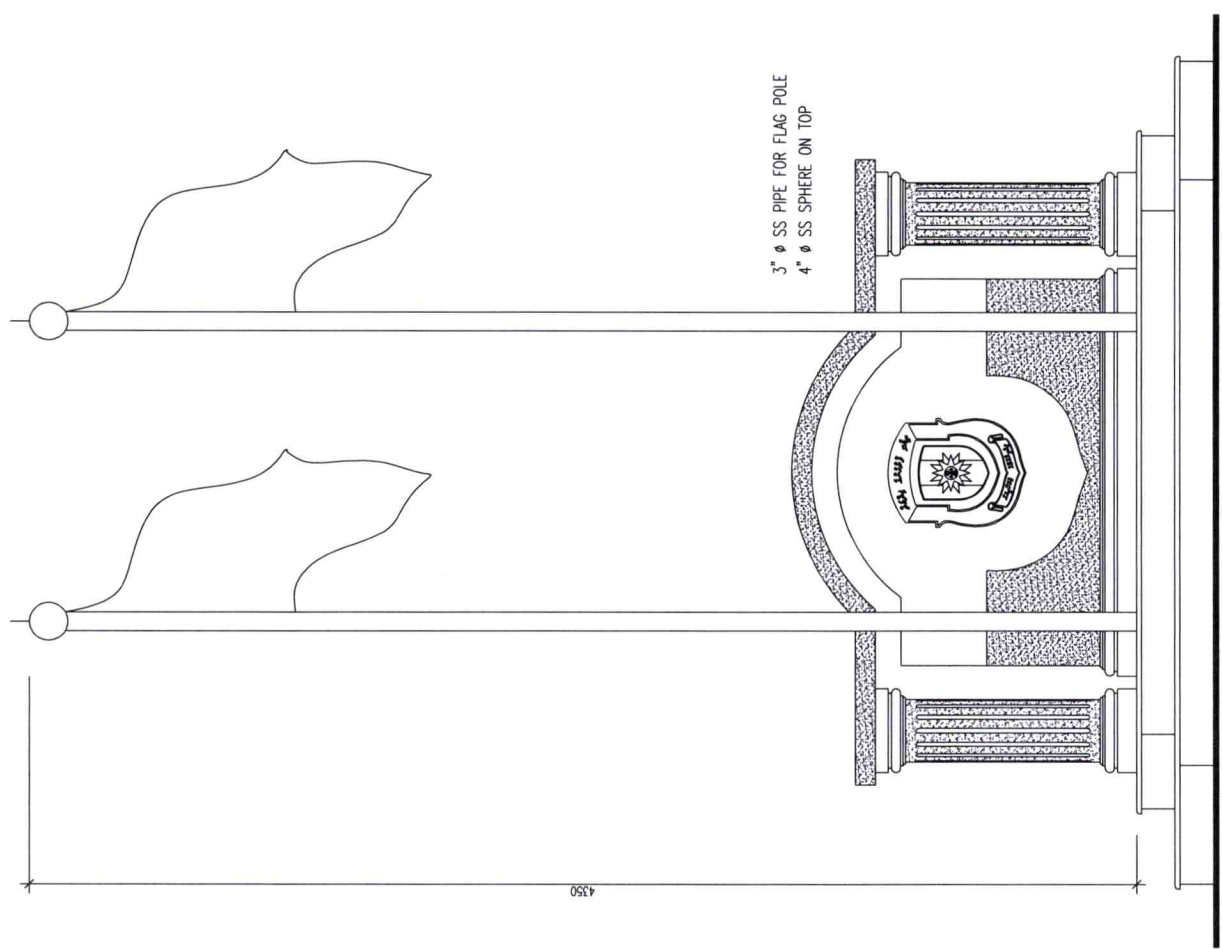
A-21

THE DRAWINGS, CONCEPT AND DESIGN CONTAINED AREA THE PROPERTIES OF MALDIVES POLICE SERVICE USE OF ANY PART OF THIS DRAWING FOR OTHER PROJECTS OR FOR OTHER PROJECTS IN ANY OTHER FORM OR MANNER THAN THAT SPECIFIED ON THIS DRAWING IS STRICTLY PROHIBITED.

ARCHITECT/DESIGNER

APPROVED  
MALDIVES POLICE SERVICE

SIGN: *[Signature]*  
NAME: **AD AHMED SAADHEEM**  
DESIGNATION: **HEAD OF IDU**  
DATE: **26-01-23**



FRONT ELEVATION  
SCALE 1:20

THE DRAWINGS, CONCEPT AND DESIGN CONTAINED AREA THE PROPERTIES OF MALDIVES POLICE SERVICE USE OF ANY PART OF THIS DRAWING OR DESIGN OR USE IN OTHER PROJECTS OR SITES OTHER THAN THAT SPECIFIED ON THIS DRAWING IS STRICTLY PROHIBITED

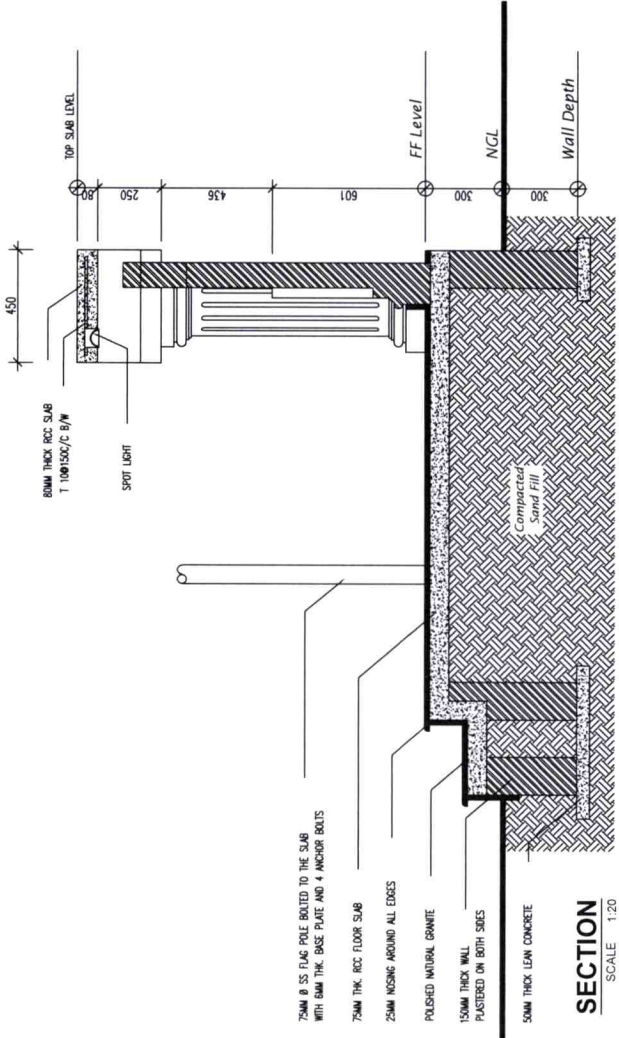
ARCHITECT/DESIGNER DRAWN BY

STRUCTURAL ENGINEER DRAWN BY

CHECKED BY CHECKED BY

ARCHITECTURAL DRAWINGS  
SHEET NO. 25-JAN-2023

A-22



75MM Ø SS FLAG POLE BOLTED TO THE SLAB WITH 6MM THK. BASE PLATE AND 4 ANCHOR BOLTS  
75MM THK. RICE FLOOR SLAB  
25MM INSULG AROUND ALL EDGES  
POLISHED NATURAL GRANITE  
150MM THICK WALL PLASTERED ON BOTH SIDES  
50MM THICK LEAN CONCRETE

**SECTION**  
SCALE 1:20

**APPROVED**  
MALDIVES POLICE SERVICE

SIGN:   
NAME: **AD AHMED SAADHEEM**  
DESIGNATION: **HEAD OF I.O.B**  
DATE: **26-01-23**

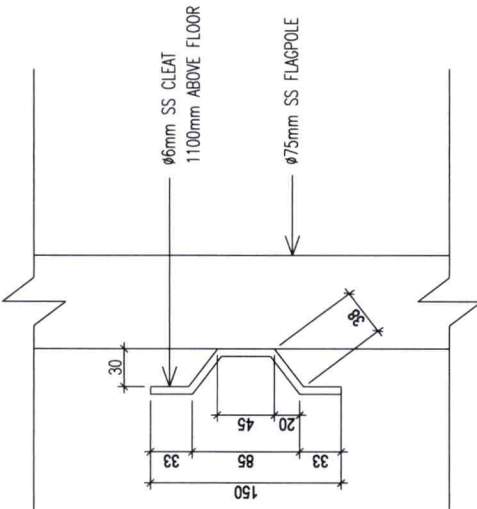
PROJECT TITLE: BELOHAFUSHI POLICE STATION RENOVATION
MALDIVES POLICE SERVICE SEAL & SIGN

CONTRACTORS SEAL & SIGN
-------------------------

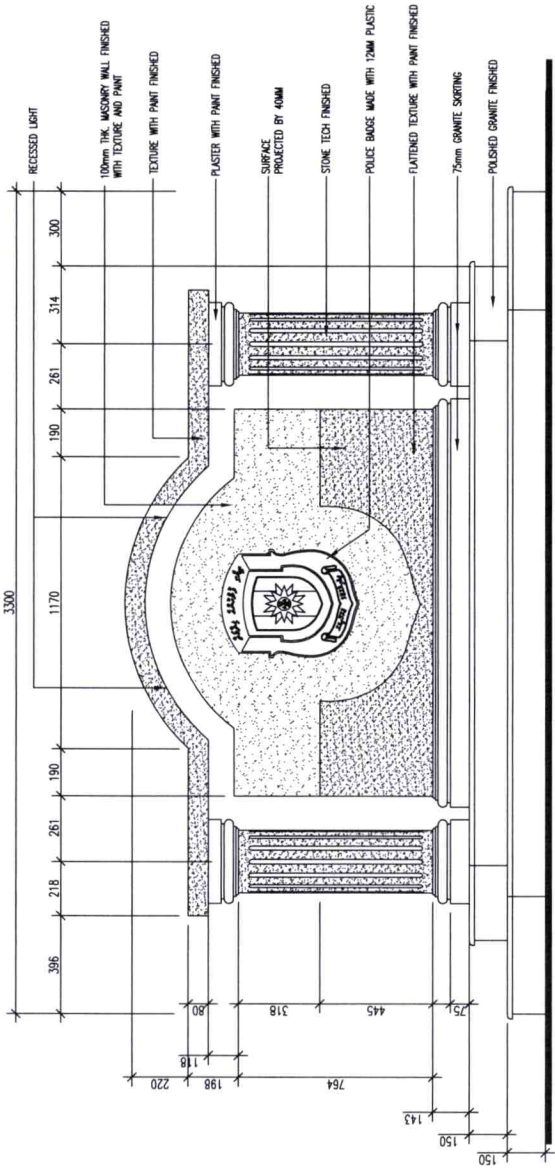
THE DRAWINGS/CONCEPT AND DESIGN CONTAINED AREA THE PROPERTIES OF MALDIVES POLICE SERVICE USE OF ANY OTHER MATERIALS OR FINISHES OR PRODUCTS OR SERVICES OR OTHER PRODUCTS ARE SALES OTHER THAN THAT SPECIFIED ON THIS DRAWING IS STRICTLY PROHIBITED

ARCHITECT/DESIGNER	ISSUED BY
STRUCTURAL ENGINEER	ISSUED BY
CHECKED BY	CHECKED BY
ARCHITECTURAL DRAWINGS	SHEET NO.
	25-JAN-2023

A-23



CLEAT DETAIL  
SCALE 1:10



ELEVATION DETAILS  
SCALE 1:20

APPROVED  
MALDIVES POLICE SERVICE

SIGN:   
 NAME: **ADHMED SAPIKRED**  
 DESIGNATION: **HEAD OF IDU**  
 DATE: **26-01-23**





INFRASTRUCTURE AND BUILDING DEVELOPMENT  
MALDIVES POLICE SERVICE

PROJECT TITLE:  
BETHMAFUSHI POLICE STATION RENOVATION

MALDIVES POLICE SERVICE SEAL & SIGN

CONTRACTORS SEAL & SIGN

THE DRAWINGS/CONCEPT AND DESIGN CONTAINED AREA THE PROPERTIES OF MALDIVES POLICE SERVICE USE OF ANY PART OF THIS DRAWING FOR OTHER PROJECTS OR SITES OTHER THAN THAT SPECIFIED ON THIS DRAWING IS STRICTLY PROHIBITED

ARCHITECT/DESIGNER: [Blank] DATED BY:

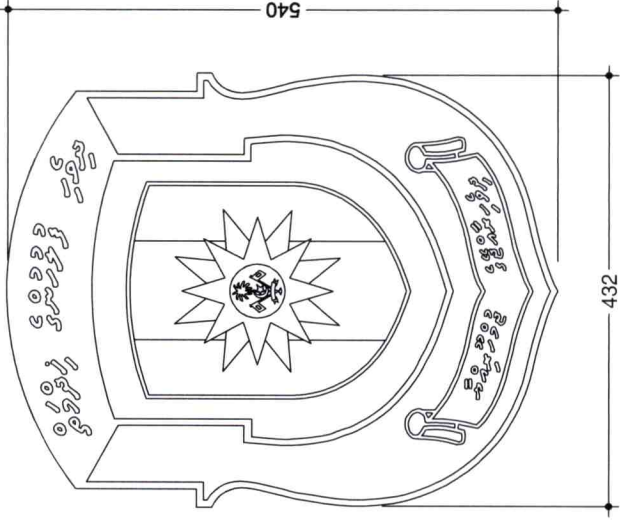
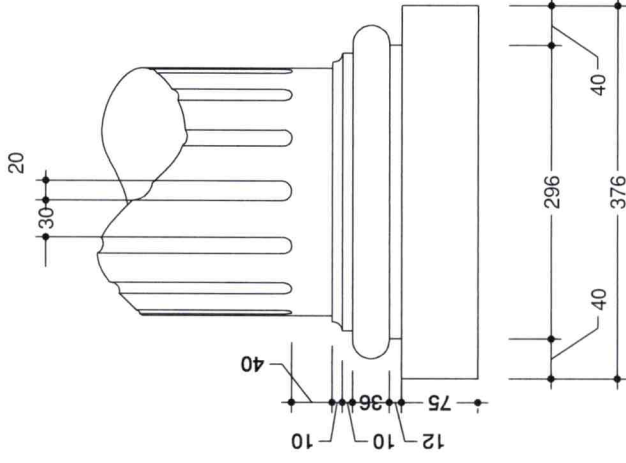
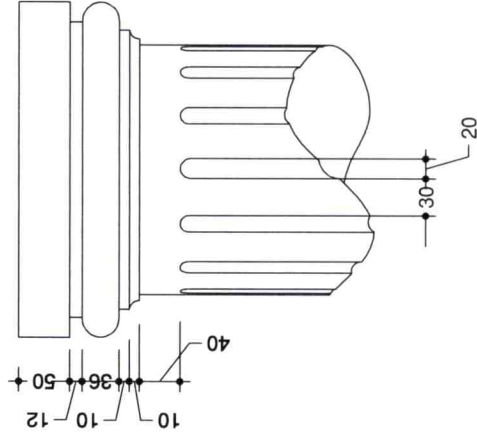
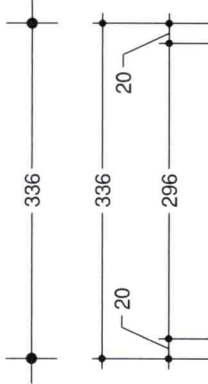
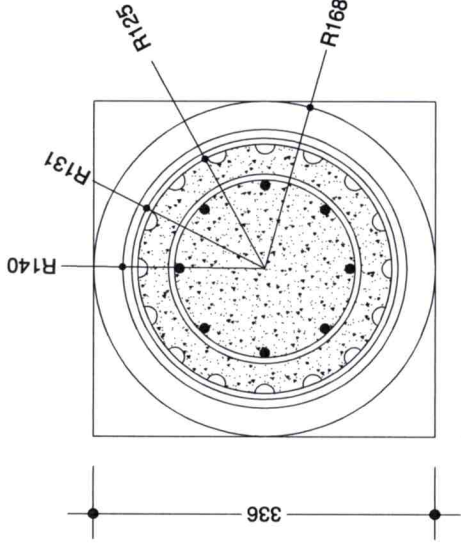
STRUCTURAL ENGINEER: [Blank] DATED BY:

CHECKED BY:

ARCHITECTURAL DRAWINGS  
SHEET NO. 25-JAN-2023

A-24

NOTE: EMBLEM SHALL BE MADE WITH 12mm THK. PLASTIC AND FIXED WITH STUDS, MAINTAIN A 40mm GAP BETWEEN THE WALL AND EMBLEM



DECORATIVE COLUMN DETAILS

SCALE 1:5

POLICE EMBLEM DETAILS

SCALE 1:5

APPROVED

MALDIVES POLICE SERVICE

SIGN: [Signature]

NAME: AO AHMED SAADHAN

DESIGNATION: HEAD OF IDU

DATE: 26-01-23



PROJECT TITLE:  
BEYDHAFUSHI POLICE STATION  
RENOVATION

MALDIVES POLICE SERVICE SEAL & SIGN

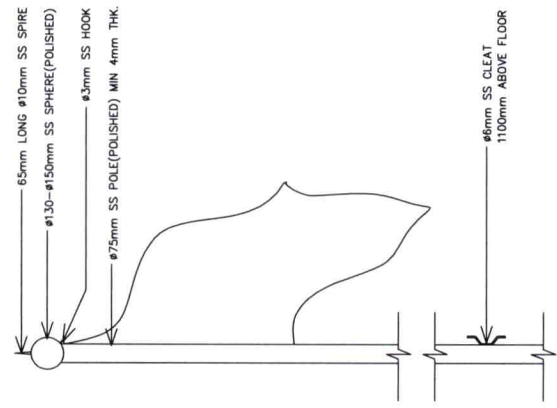
CONTRACTORS SEAL & SIGN

THE DRAWINGS, CONCEPT AND DESIGN CONTAINED AREA THE PROPERTIES OF MALDIVES POLICE SERVICE. USE OF ANY PART OF THIS DRAWING FOR ANY OTHER PROJECTS OR SITES OTHER THAN THAT SPECIFIED ON THIS DRAWING IS STRICTLY PROHIBITED.

ARCHITECT/DESIGNER DRAFTED BY  
STRUCTURAL ENGINEER DRAFTED BY  
CHECKED BY

ARCHITECTURAL DRAWINGS  
SHEET NO. 25-JUN-2023

A-25



**APPROVED**  
MALDIVES POLICE SERVICE

SIGN: .....  
NAME: **AD AHMED SADHEEM**  
DESIGNATION: **HEAD OF IDU**  
DATE: **26-01-23**



INFRASTRUCTURE AND BUILDING DEVELOPMENT  
MALDIVES POLICE SERVICE

PROJECT TITLE:  
BEYONDUFUSHI POLICE STATION  
RENOVATION

MALDIVES POLICE SERVICE SEAL & SIGN

CONTRACTORS SEAL & SIGN

ARCHITECT/DESIGNER DRAFTED BY

STRUCTURAL ENGINEER DRAFTED BY

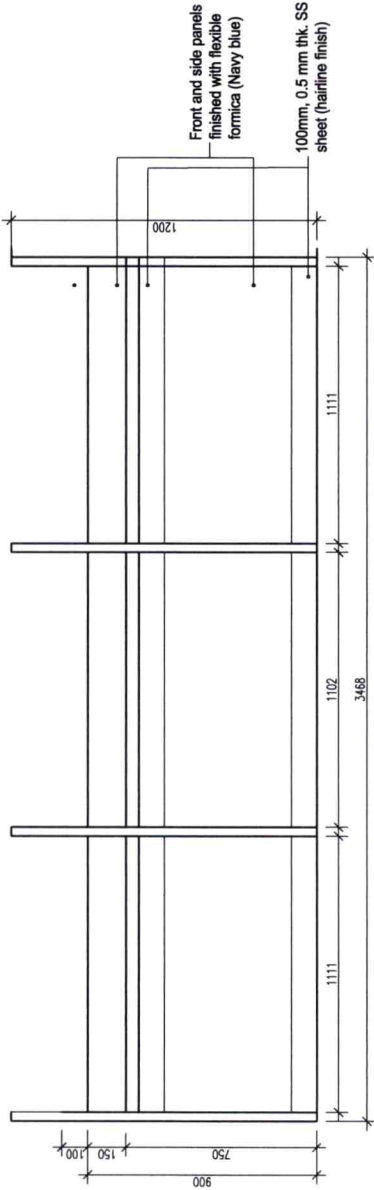
CHECKED BY

ARCHITECTURAL DRAWINGS

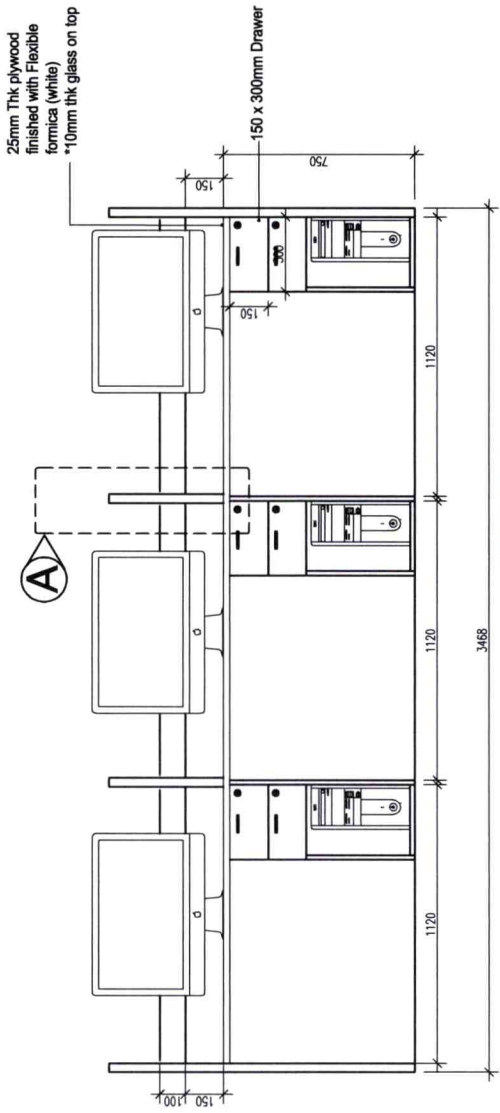
SHEET NO. 25-JAN-2023

A-26

THE DRAWINGS, CONCEPT AND DESIGN CONTAINED AREA THE PROPERTIES OF MALDIVES POLICE SERVICE USE OF THE DRAWINGS FOR ANY OTHER PROJECTS OR SITES OTHER THAN THAT SPECIFIED ON THIS DRAWING IS STRICTLY PROHIBITED



Front Elevation

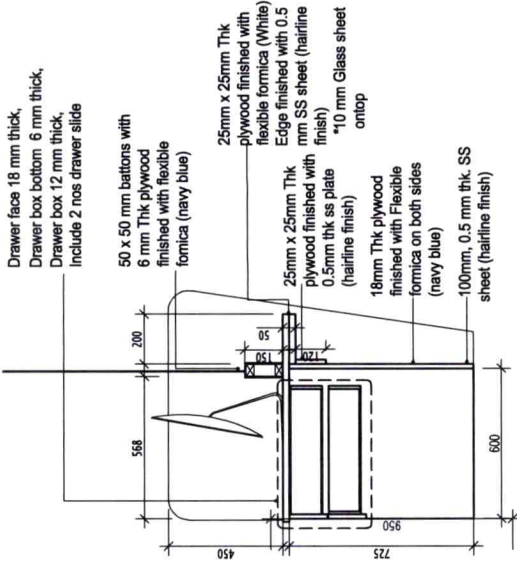


Rear View

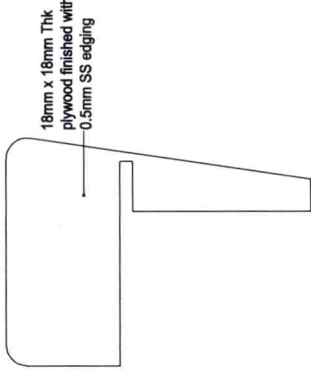
COUNTER DESIGN

**APPROVED** Note: Confirm all dimensions on site before any works commence.  
\* Lock and key and handle must be included

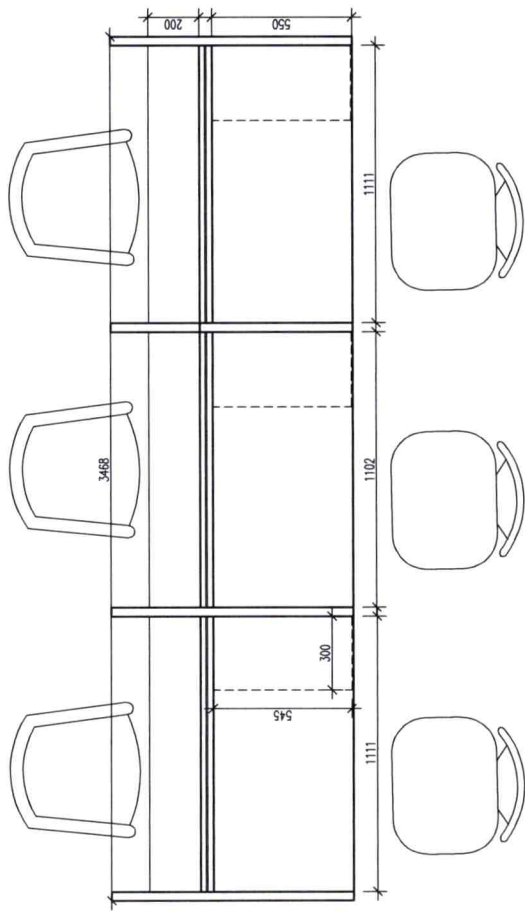
SIGN: *[Signature]*  
NAME: **AD AHMED SARHEEM**  
DESIGNATION: **HEAD OF IDU**  
DATE: **26-01-23**



Sectional Elevation



Detail A



Plan View

Note: Confirm all dimensions on site before any works commence.  
\* Lock and key and handle must be included

**APPROVED**  
MALDIVES POLICE SERVICE

SIGN: [Signature]

NAME: AP- AHMED SADIQEO  
DESIGNATION: HEAD OF IDU  
DATE: 26-01-26

POLICE COUNTER DESIGN