

AA RASDHOO POLICE STATION
RENOVATION WORKS



INFRASTRUCTURE AND BUILDING DEVELOPMENT
MALDIVES POLICE SERVICE

PROJECT TITLE:

AA. RASDHOO POLICE STATION
RENOVATION

MALDIVES POLICE SERVICE SEAL & SIGN

CONTRACTORS SEAL & SIGN

THE DRAWINGS, CONCEPT AND DESIGN CONTAINED AREA
THE PROPERTIES OF MALDIVES POLICE SERVICE. USE OF
ANY KIND OR COPY OF WHOLE OR PART OF THIS
DRAWING CONCEPT OR DESIGN OR USE ON OTHER
PROJECTS OR SITES OTHER THAN THAT SPECIFIED ON
THIS DRAWINGS IS STRICTLY PROHIBITED

ARCHITECT/DESIGNER DRAFTED BY

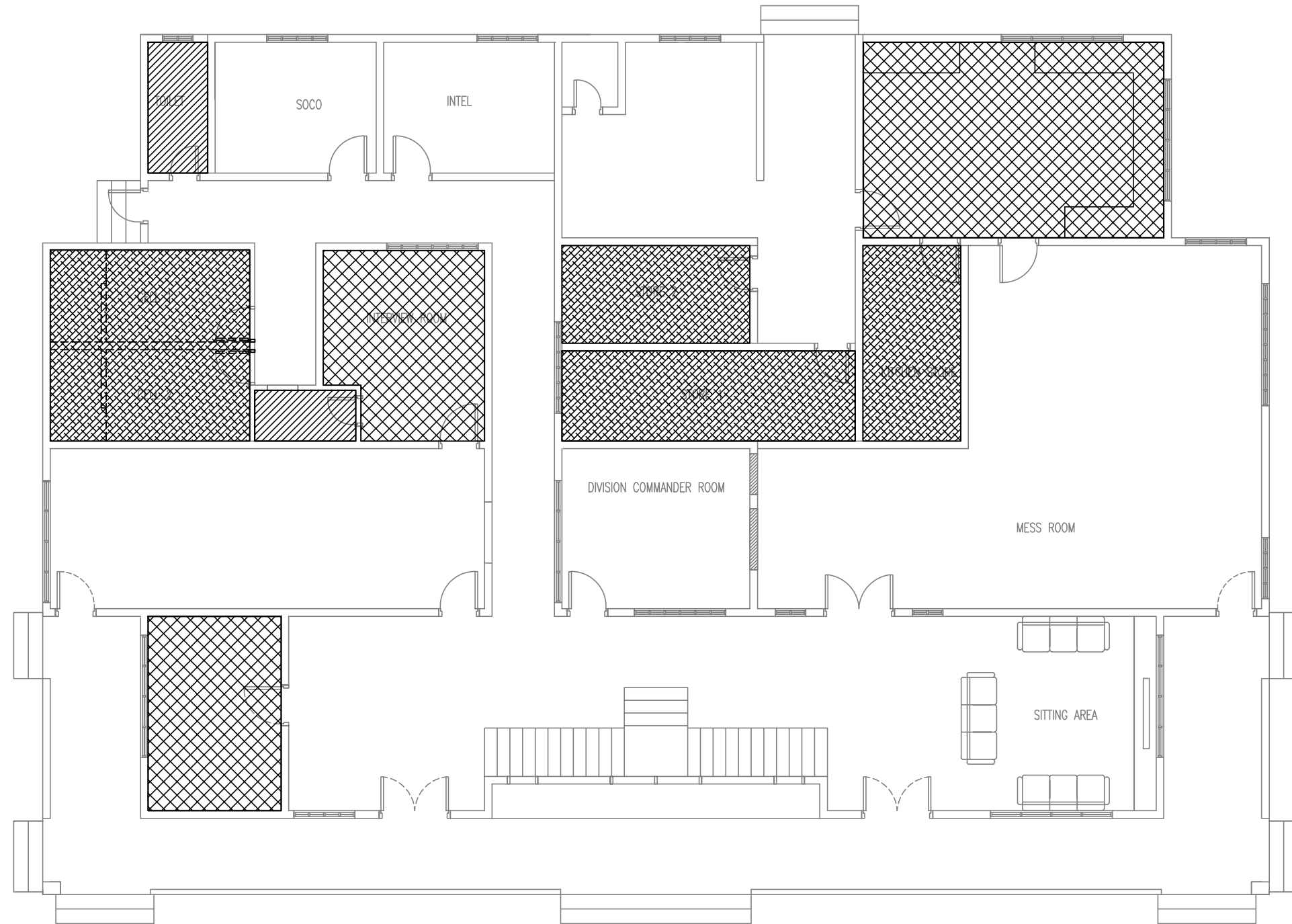
STRUCTURAL ENGINEER DRAFTED BY

CHECKED BY CHECKED BY

ARCHITECTURAL DRAWINGS

SHEET NO. 25-DECEMBER-2023

A-01



GROUND FLOOR CEILING RENOVATION PLAN

SCALE 1:100



INFRASTRUCTURE AND BUILDING DEVELOPMENT
MALDIVES POLICE SERVICE

PROJECT TITLE:

AA. RASDHOO POLICE STATION
RENOVATION

MALDIVES POLICE SERVICE SEAL & SIGN

CONTRACTORS SEAL & SIGN

THE DRAWINGS, CONCEPT AND DESIGN CONTAINED AREA
THE PROPERTIES OF MALDIVES POLICE SERVICE. USE OF
ANY KIND OR COPY OF WHOLE OR PART OF THIS
DRAWING CONCEPT OR DESIGN OR USE ON OTHER
PROJECTS OR SITES OTHER THAN THAT SPECIFIED ON
THIS DRAWINGS IS STRICTLY PROHIBITED

ARCHITECT/DESIGNER DRAFTED BY

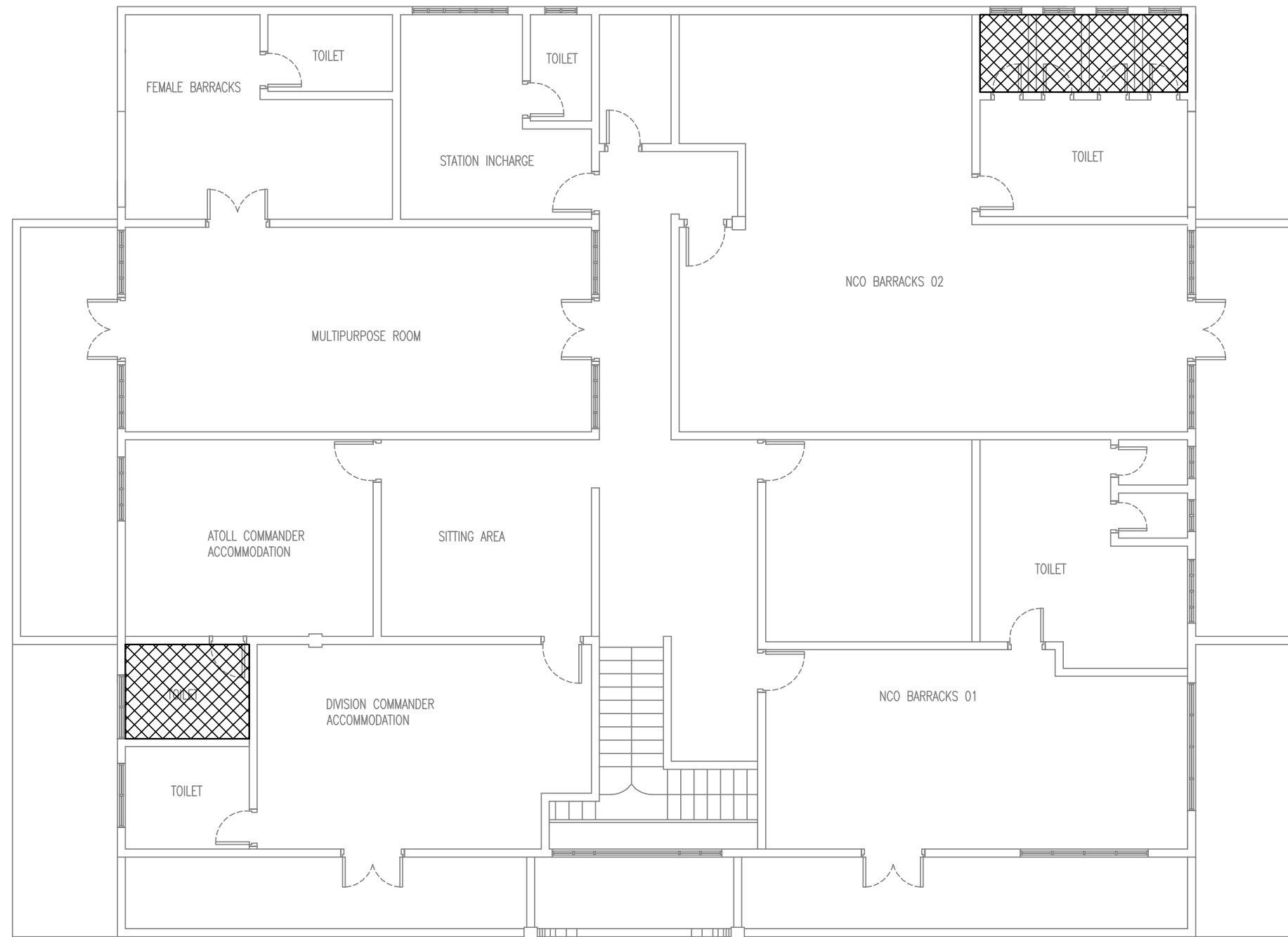
STRUCTURAL ENGINEER DRAFTED BY

CHECKED BY CHECKED BY

ARCHITECTURAL DRAWINGS

SHEET NO. 25-DECEMBER-2023

A-02



1ST FLOOR CEILING RENOVATION PLAN

SCALE 1:100



INFRASTRUCTURE AND BUILDING DEVELOPMENT
MALDIVES POLICE SERVICE

PROJECT TITLE:
AA. RASDHOO POLICE STATION
RENOVATION

MALDIVES POLICE SERVICE SEAL & SIGN

CONTRACTORS SEAL & SIGN

THE DRAWINGS, CONCEPT AND DESIGN CONTAINED AREA
THE PROPERTIES OF MALDIVES POLICE SERVICE. USE OF
ANY KIND OR COPY OF WHOLE OR PART OF THIS
DRAWING CONCEPT OR DESIGN OR USE ON OTHER
PROJECTS OR SITES OTHER THAN THAT SPECIFIED ON
THIS DRAWINGS IS STRICTLY PROHIBITED

ARCHITECT/DESIGNER DRAFTED BY

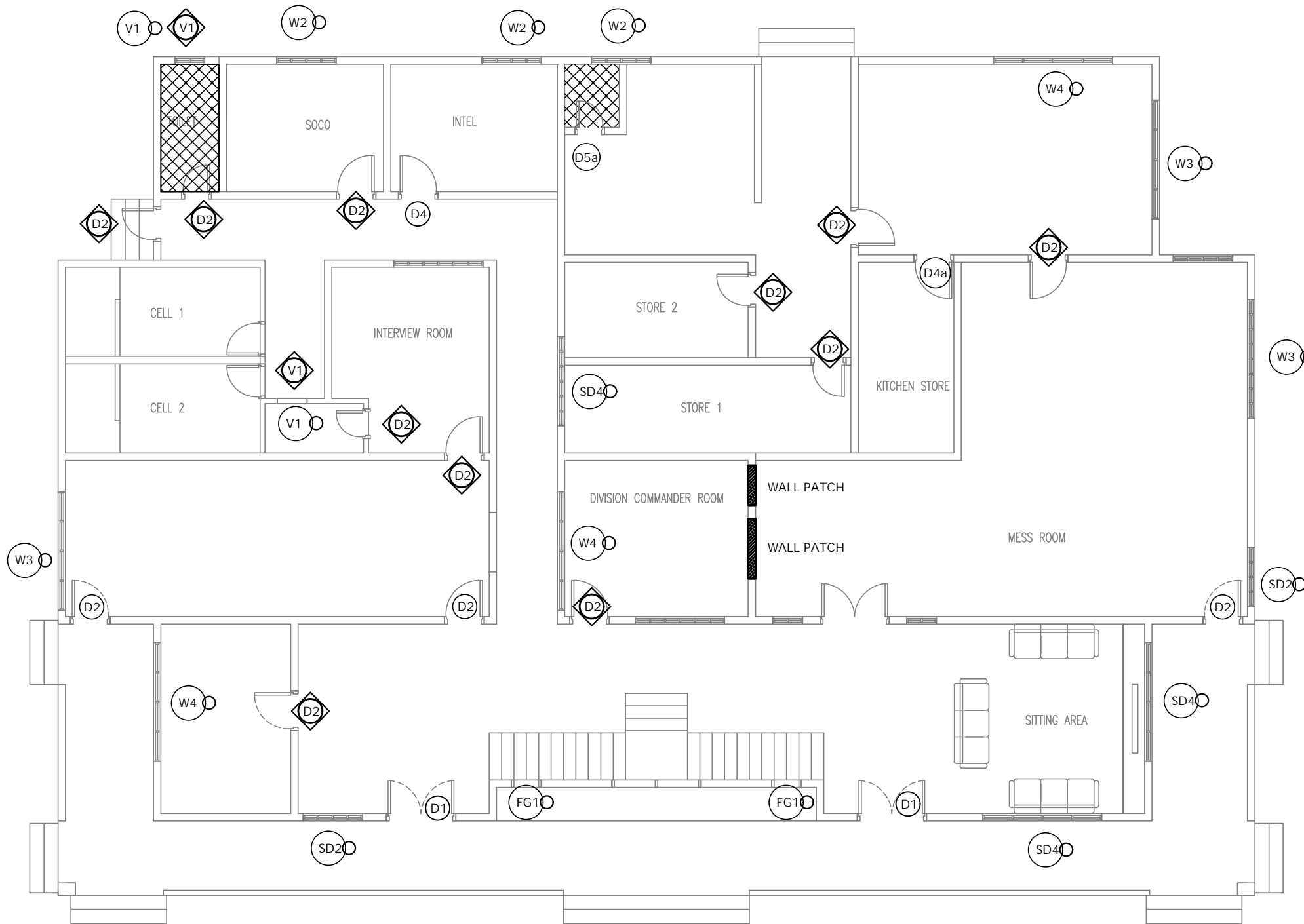
STRUCTURAL ENGINEER DRAFTED BY

CHECKED BY CHECKED BY

ARCHITECTURAL DRAWINGS

SHEET NO. 25-DECEMBER-2023

A-03



GROUND FLOOR TILE & DOOR RENOVATION PLAN

SCALE 1:100



INFRASTRUCTURE AND BUILDING DEVELOPMENT
MALDIVES POLICE SERVICE

PROJECT TITLE:

AA. RASDHOO POLICE STATION
RENOVATION

MALDIVES POLICE SERVICE SEAL & SIGN

CONTRACTORS SEAL & SIGN

THE DRAWINGS, CONCEPT AND DESIGN CONTAINED AREA
THE PROPERTIES OF MALDIVES POLICE SERVICE. USE OF
ANY KIND OR COPY OF WHOLE OR PART OF THIS
DRAWING CONCEPT OR DESIGN OR USE ON OTHER
PROJECTS OR SITES OTHER THAN THAT SPECIFIED ON
THIS DRAWINGS IS STRICTLY PROHIBITED

ARCHITECT/DESIGNER DRAFTED BY

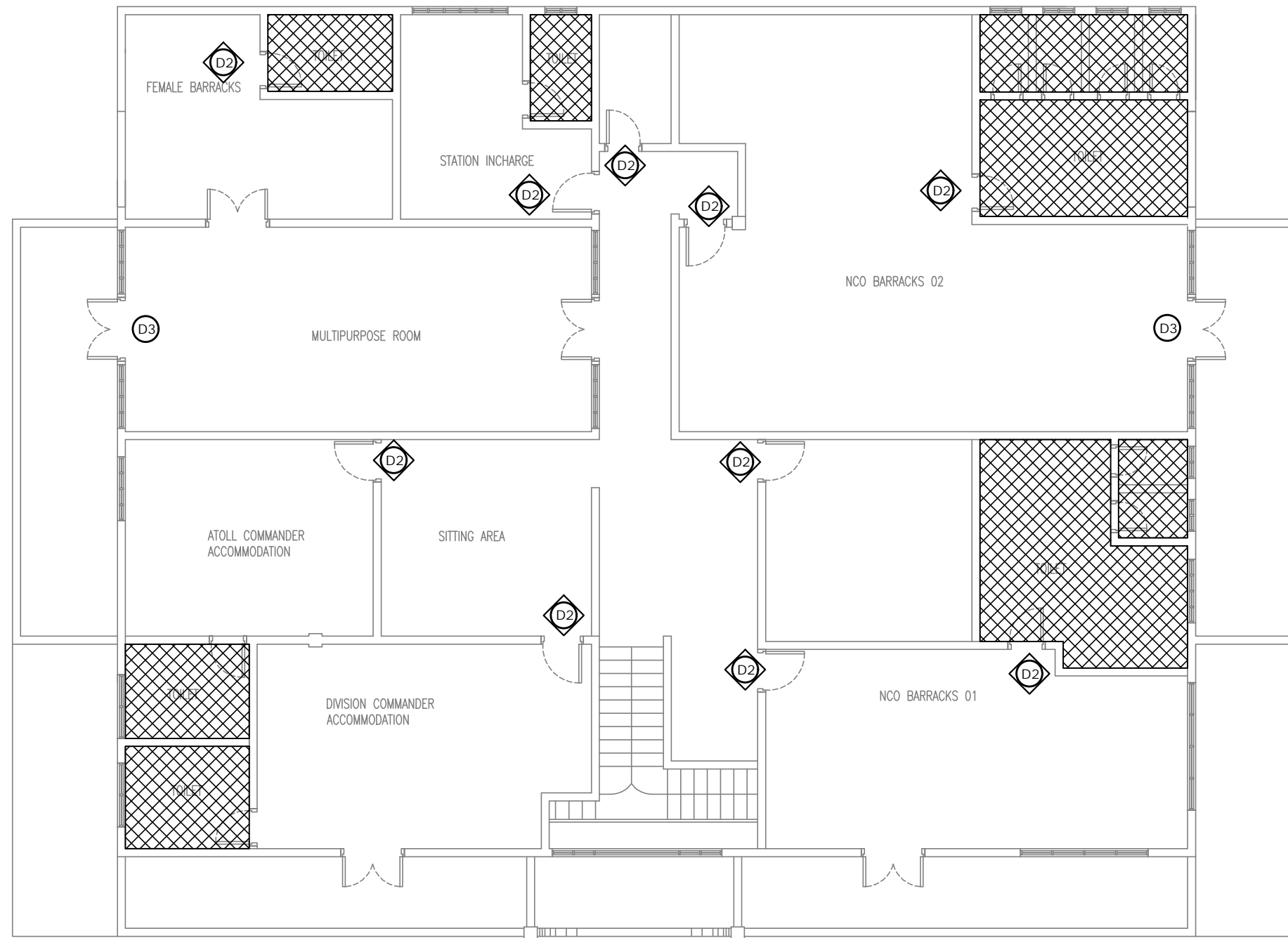
STRUCTURAL ENGINEER DRAFTED BY

CHECKED BY CHECKED BY

ARCHITECTURAL DRAWINGS

SHEET NO. 25-DECEMBER-2023

A-04



1ST FLOOR TILE & DOOR RENOVATION PLAN

SCALE 1:100



INFRASTRUCTURE AND BUILDING DEVELOPMENT
MALDIVES POLICE SERVICE

PROJECT TITLE:

AA. RASDHOO POLICE STATION
RENOVATION

MALDIVES POLICE SERVICE SEAL & SIGN

CONTRACTORS SEAL & SIGN

THE DRAWINGS, CONCEPT AND DESIGN CONTAINED AREA
THE PROPERTIES OF MALDIVES POLICE SERVICE. USE OF
ANY KIND OR COPY OF WHOLE OR PART OF THIS
DRAWING CONCEPT OR DESIGN OR USE ON OTHER
PROJECTS OR SITES OTHER THAN THAT SPECIFIED ON
THIS DRAWINGS IS STRICTLY PROHIBITED

ARCHITECT/DESIGNER DRAFTED BY

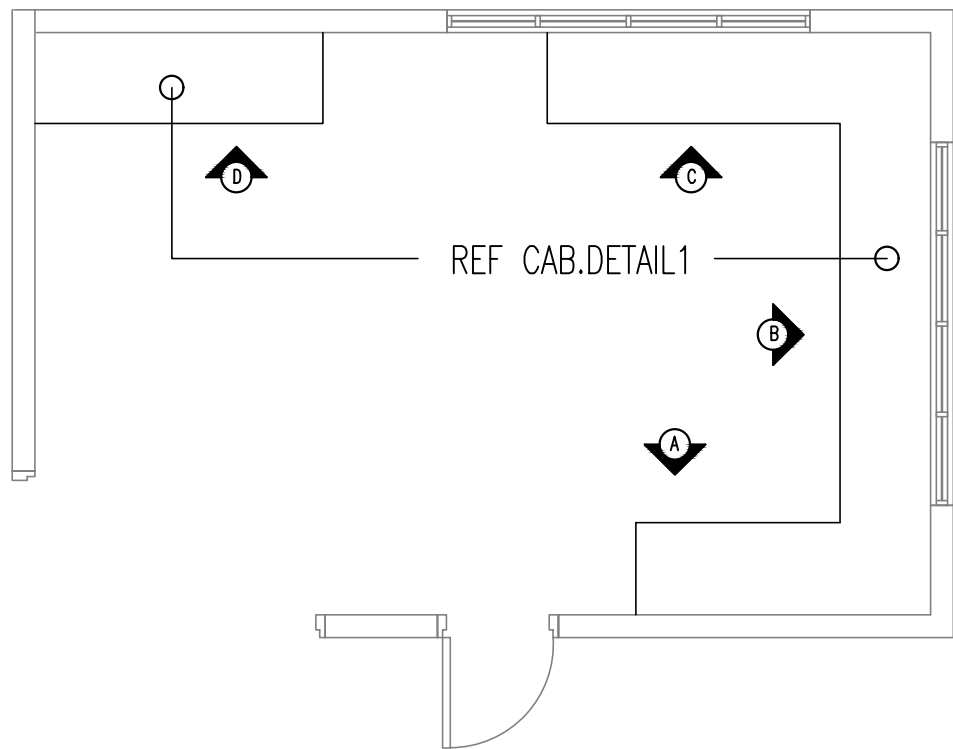
STRUCTURAL ENGINEER DRAFTED BY

CHECKED BY CHECKED BY

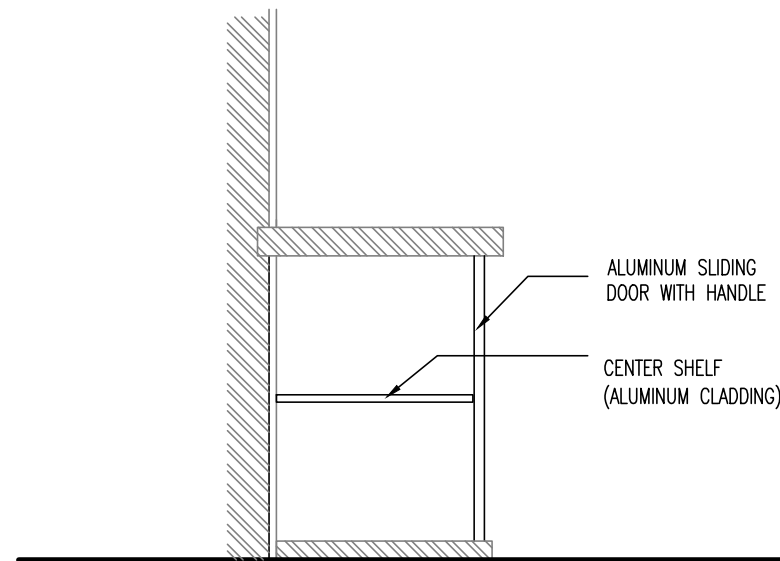
ARCHITECTURAL DRAWINGS

SHEET NO. 25-DECEMBER-2023

A-05



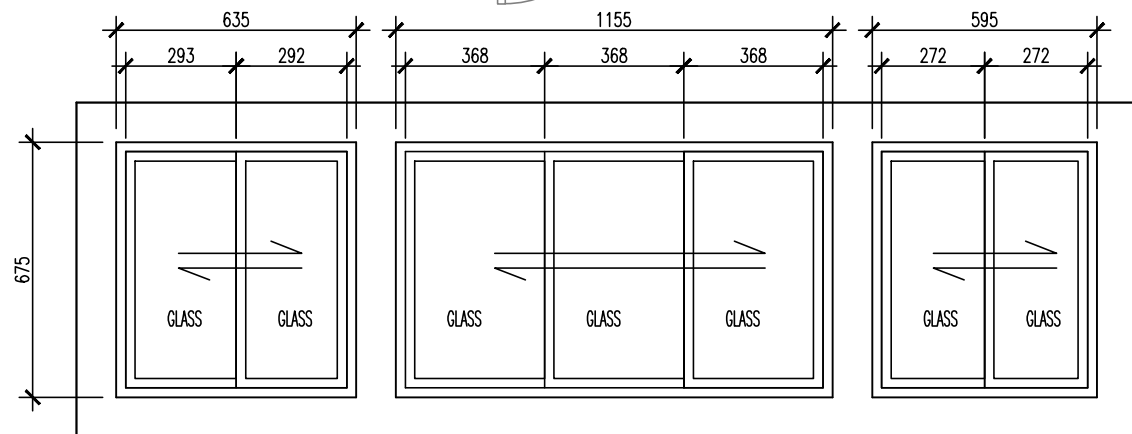
REF CAB.DETAIL1



SECTIONAL VIEW

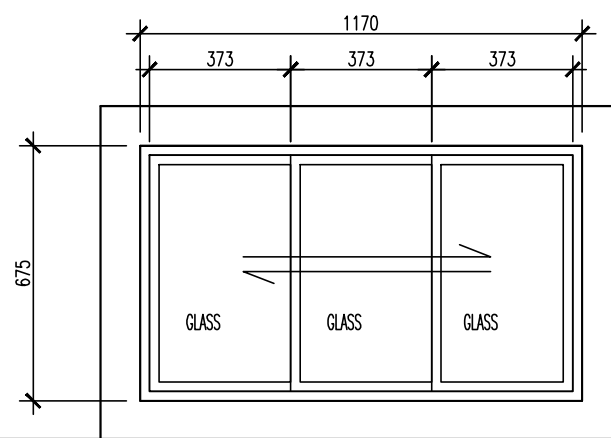
NOTE:

1. CONFIRM ACTUAL MEASUREMENTS ON SITE BEFORE FABRICATION
2. SUBMIT ACCESSORIES AND SHOP DRAWINGS FOR APPROVAL



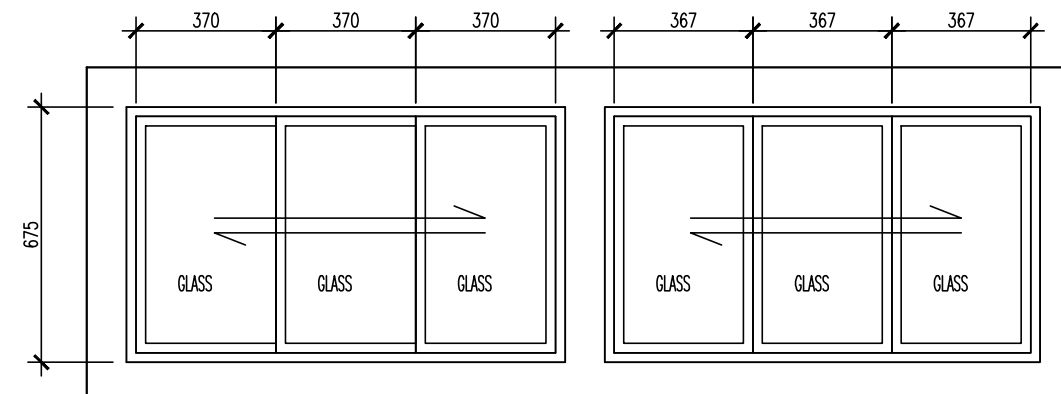
SLIDING ALUMINUM FRAME DOOR
* INCLUDE, HANDLES

CUPBOARD B
SCALE 1:20

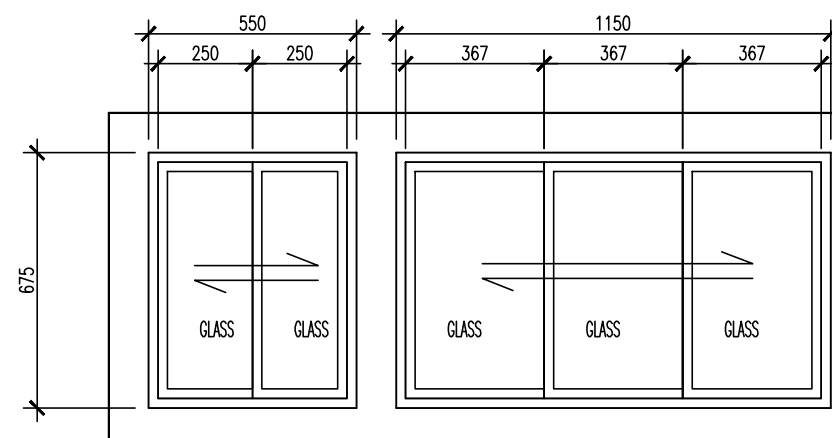


SLIDING ALUMINUM FRAME DOOR
* INCLUDE, HANDLES

CUPBOARD A
SCALE 1:20

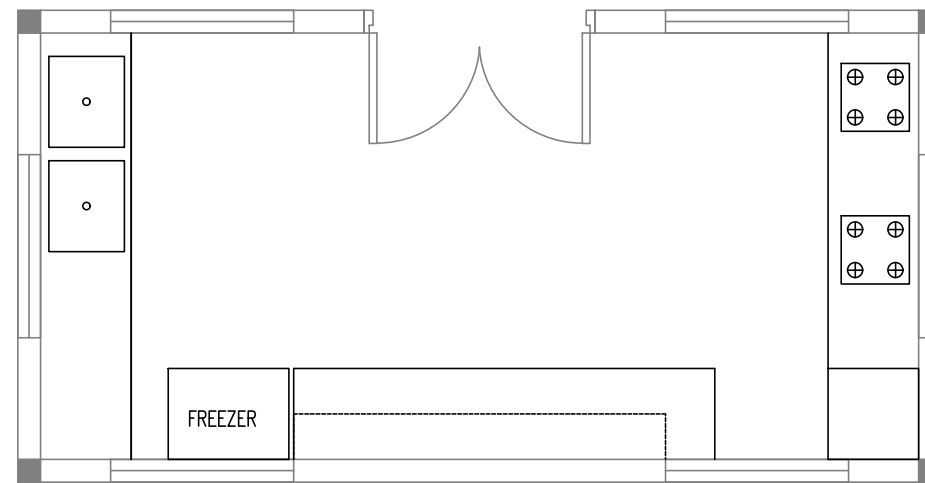
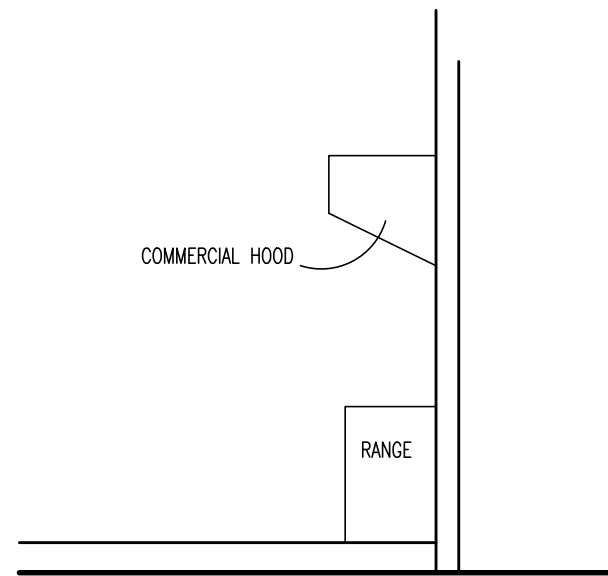


CUPBOARD C
SCALE 1:20
SLIDING ALUMINUM FRAME DOOR
* INCLUDE, HANDLES



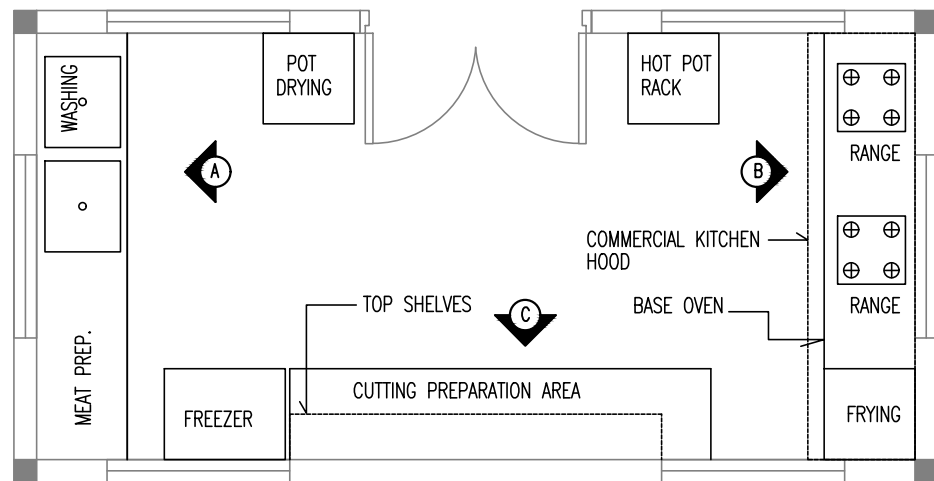
SLIDING ALUMINUM FRAME DOOR
* INCLUDE, HANDLES

CUPBOARD D
SCALE 1:20



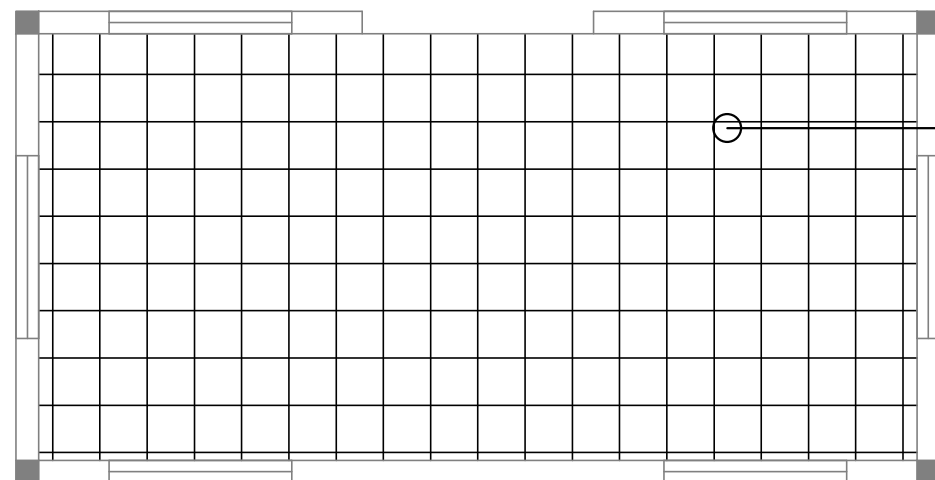
KITCHEN CABINETS PLAN

SCALE 1:50



KITCHEN CABINETS PLAN

SCALE 1:50



WALL TILING UPTO 2.4
FLOOR TILING PORCELAIN TILES

KITCHEN TILING PLAN

SCALE 1:50



INFRASTRUCTURE AND BUILDING DEVELOPMENT
MALDIVES POLICE SERVICE

PROJECT TITLE:
AA. RASDHOO POLICE STATION
RENOVATION

MALDIVES POLICE SERVICE SEAL & SIGN

CONTRACTORS SEAL & SIGN

THE DRAWINGS, CONCEPT AND DESIGN CONTAINED AREA
THE PROPERTIES OF MALDIVES POLICE SERVICE. USE OF
ANY KIND OR COPY OF WHOLE OR PART OF THIS
DRAWING CONCEPT OR DESIGN OR USE ON OTHER
PROJECTS OR SITES OTHER THAN THAT SPECIFIED ON
THIS DRAWINGS IS STRICTLY PROHIBITED

ARCHITECT/DESIGNER DRAFTED BY

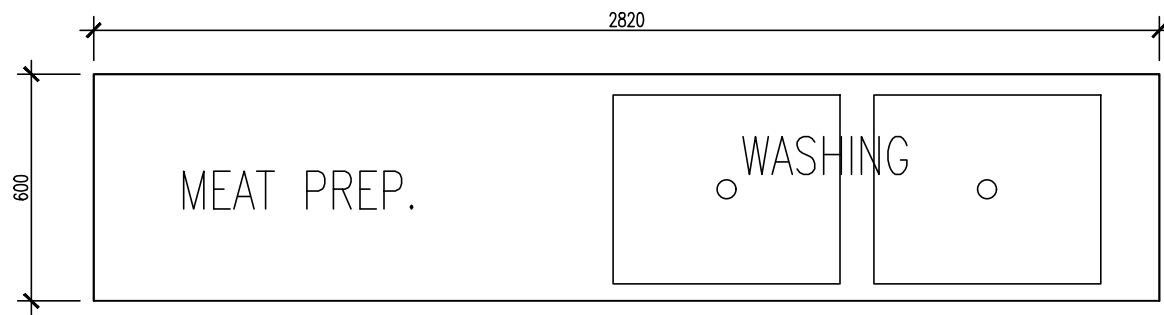
STRUCTURAL ENGINEER DRAFTED BY

CHECKED BY CHECKED BY

ARCHITECTURAL DRAWINGS

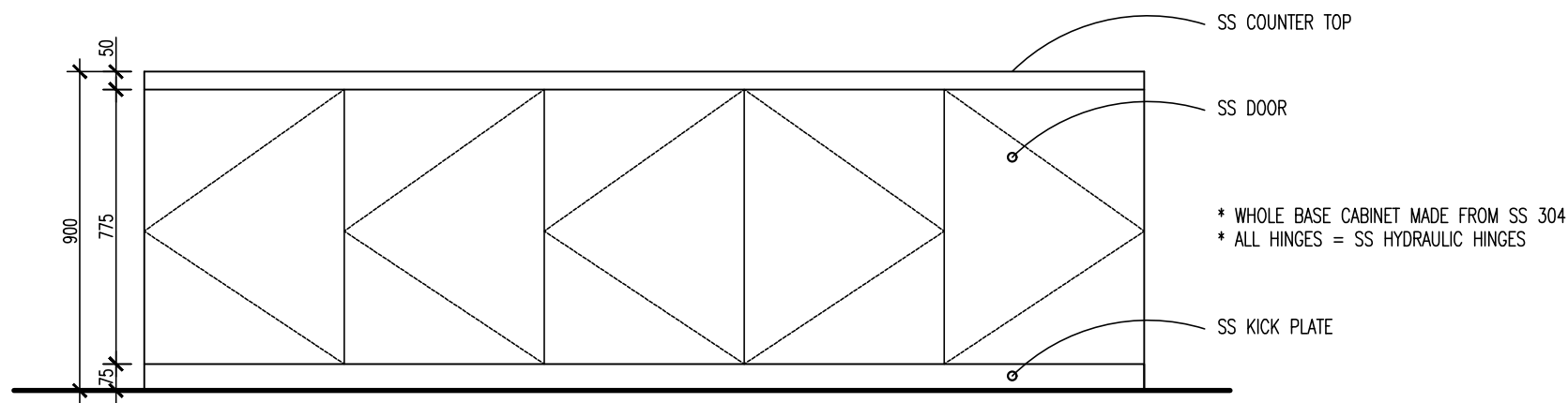
SHEET NO. 25-DECEMBER-2023

A-06



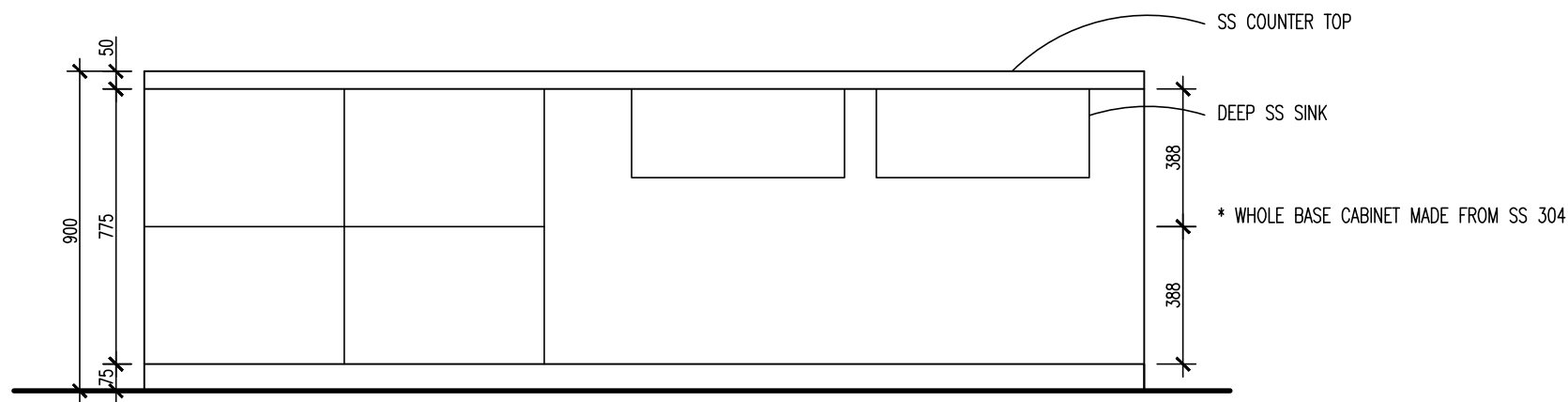
CUPBOARD A PLAN

SCALE 1:20



CUPBOARD A ELEVATION (WITH DOORS)

SCALE 1:20

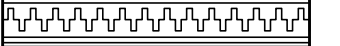


CUPBOARD A ELEVATION (WITH OUT DOORS)

SCALE 1:20

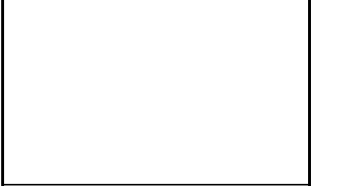


INFRASTRUCTURE AND BUILDING DEVELOPMENT
MALDIVES POLICE SERVICE



PROJECT TITLE:
AA. RASDHOO POLICE STATION
RENOVATION

MALDIVES POLICE SERVICE SEAL & SIGN

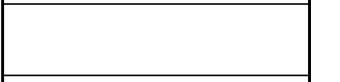


CONTRACTORS SEAL & SIGN

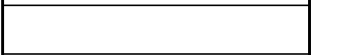


THE DRAWINGS, CONCEPT AND DESIGN CONTAINED AREA
THE PROPERTIES OF MALDIVES POLICE SERVICE. USE OF
ANY KIND OR COPY OF WHOLE OR PART OF THIS
DRAWING CONCEPT OR DESIGN OR USE ON OTHER
PROJECTS OR SITES OTHER THAN THAT SPECIFIED ON
THIS DRAWINGS IS STRICTLY PROHIBITED

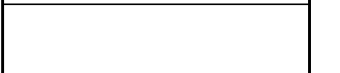
ARCHITECT/DESIGNER DRAFTED BY



STRUCTURAL ENGINEER DRAFTED BY



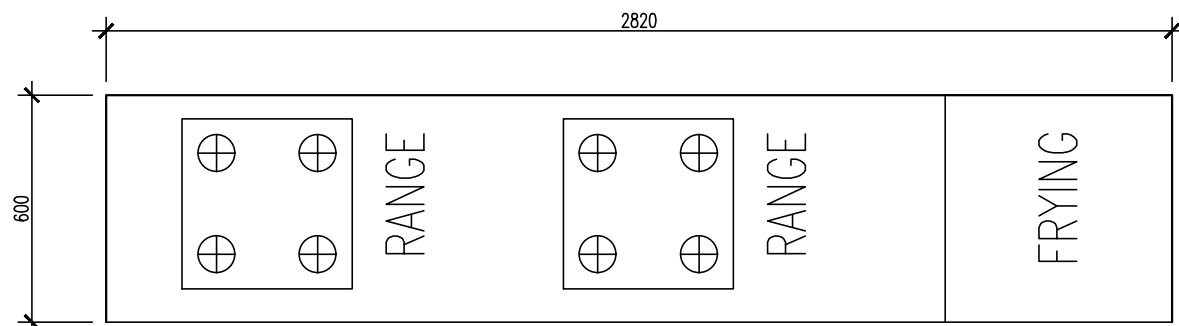
CHECKED BY CHECKED BY



ARCHITECTURAL DRAWINGS

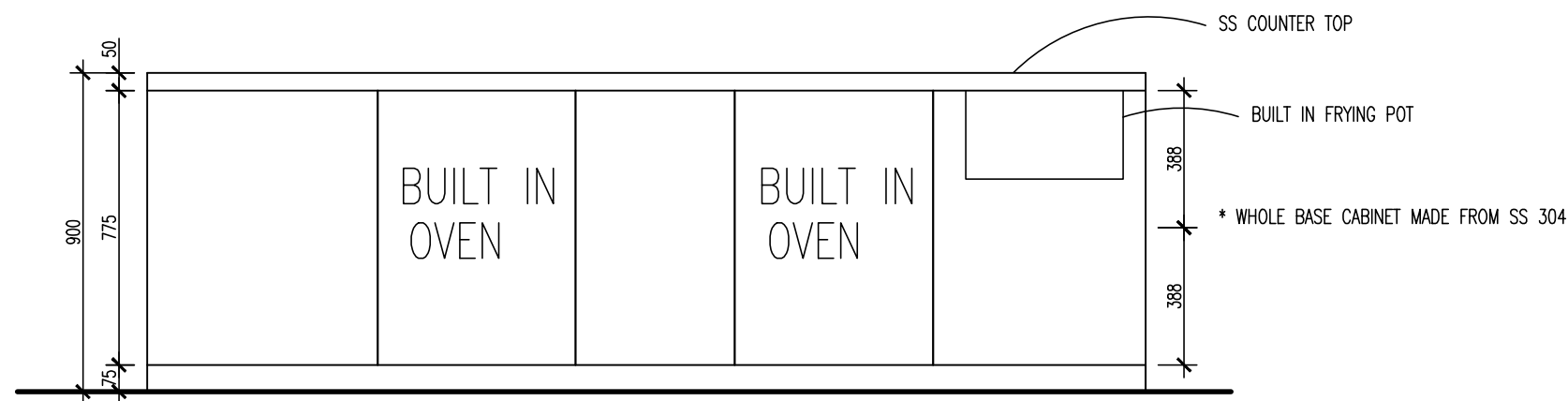
SHEET NO. 25-DECEMBER-2023

A-07



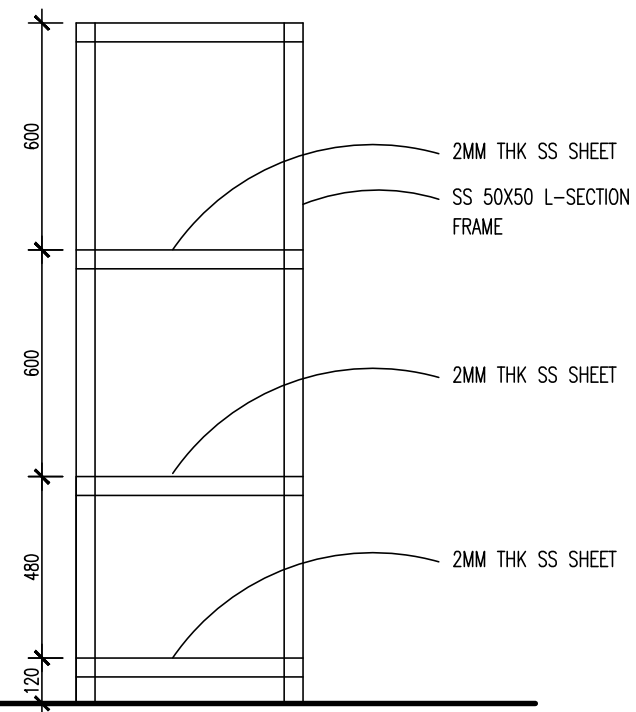
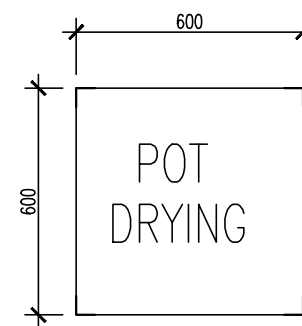
CUPBOARD B PLAN

SCALE 1:20



CUPBOARD B ELEVATION

SCALE 1:20

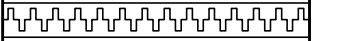


POT DRYING RACK ELEVATION

SCALE 1:20



INFRASTRUCTURE AND BUILDING DEVELOPMENT
MALDIVES POLICE SERVICE



PROJECT TITLE:
AA. RASDHOO POLICE STATION
RENOVATION

MALDIVES POLICE SERVICE SEAL & SIGN

CONTRACTORS SEAL & SIGN

THE DRAWINGS, CONCEPT AND DESIGN CONTAINED AREA
THE PROPERTIES OF MALDIVES POLICE SERVICE. USE OF
ANY KIND OR COPY OF WHOLE OR PART OF THIS
DRAWING CONCEPT OR DESIGN OR USE ON OTHER
PROJECTS OR SITES OTHER THAN THAT SPECIFIED ON
THIS DRAWINGS IS STRICTLY PROHIBITED

ARCHITECT/DESIGNER DRAFTED BY

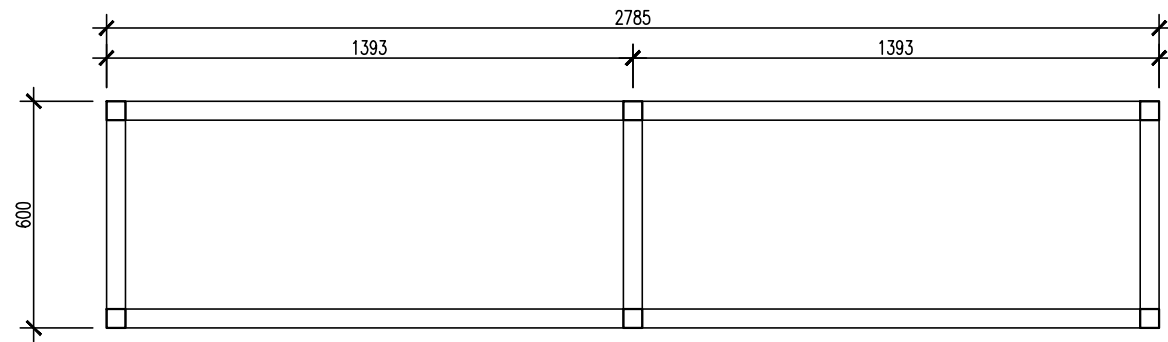
STRUCTURAL ENGINEER DRAFTED BY

CHECKED BY CHECKED BY

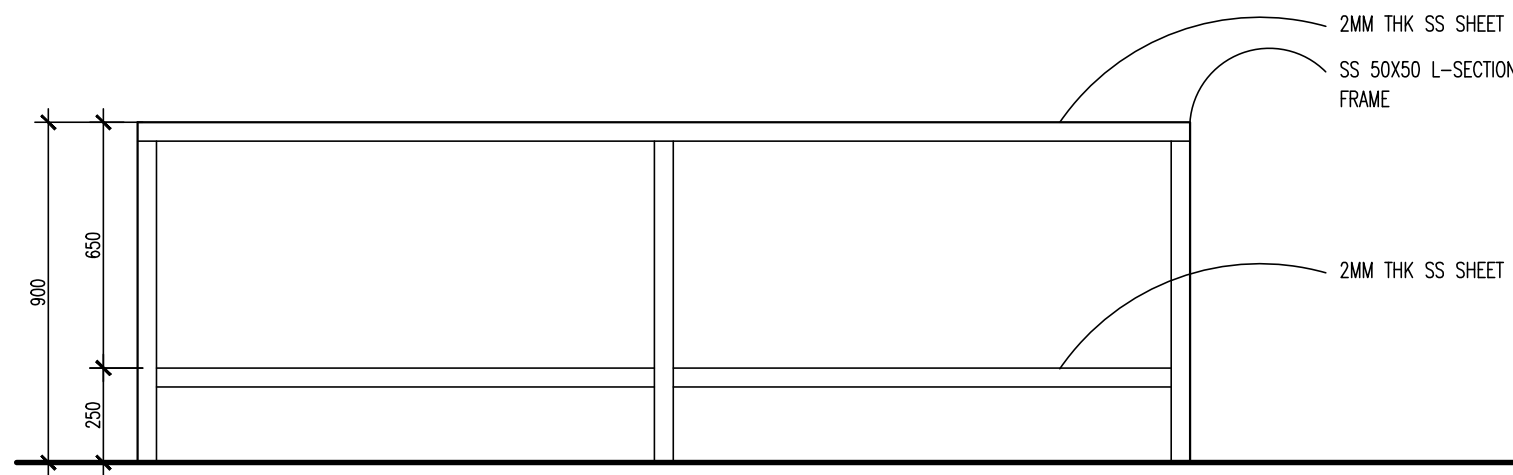
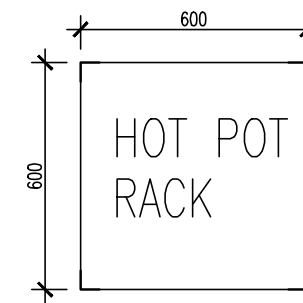
ARCHITECTURAL DRAWINGS

SHEET NO. 25-DECEMBER-2023

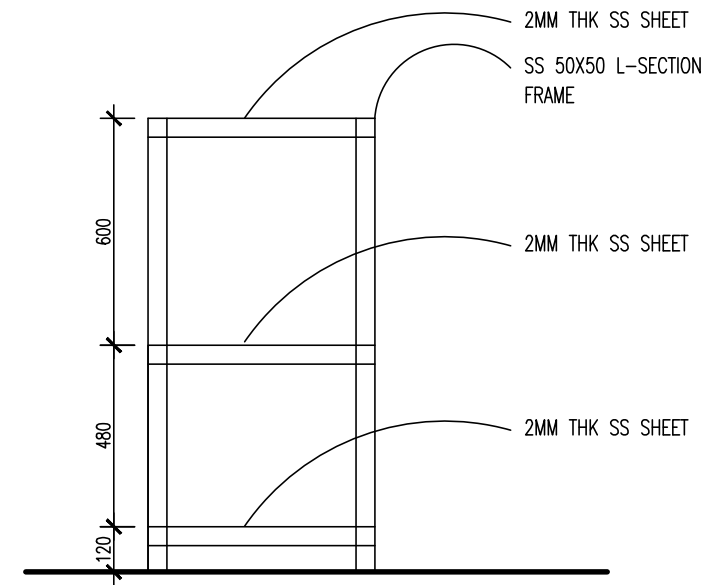
A-08



CUPBOARD C PLAN
SCALE 1:20



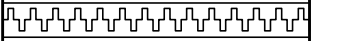
CUPBOARD C ELEVATION
SCALE 1:20



POT DRYING RACK ELEVATION
SCALE 1:20



INFRASTRUCTURE AND BUILDING DEVELOPMENT
MALDIVES POLICE SERVICE



PROJECT TITLE:
AA. RASDHOO POLICE STATION
RENOVATION

MALDIVES POLICE SERVICE SEAL & SIGN

CONTRACTORS SEAL & SIGN

THE DRAWINGS, CONCEPT AND DESIGN CONTAINED AREA
THE PROPERTIES OF MALDIVES POLICE SERVICE. USE OF
ANY KIND OR COPY OF WHOLE OR PART OF THIS
DRAWING CONCEPT OR DESIGN OR USE ON OTHER
PROJECTS OR SITES OTHER THAN THAT SPECIFIED ON
THIS DRAWINGS IS STRICTLY PROHIBITED

ARCHITECT/DESIGNER DRAFTED BY

STRUCTURAL ENGINEER DRAFTED BY

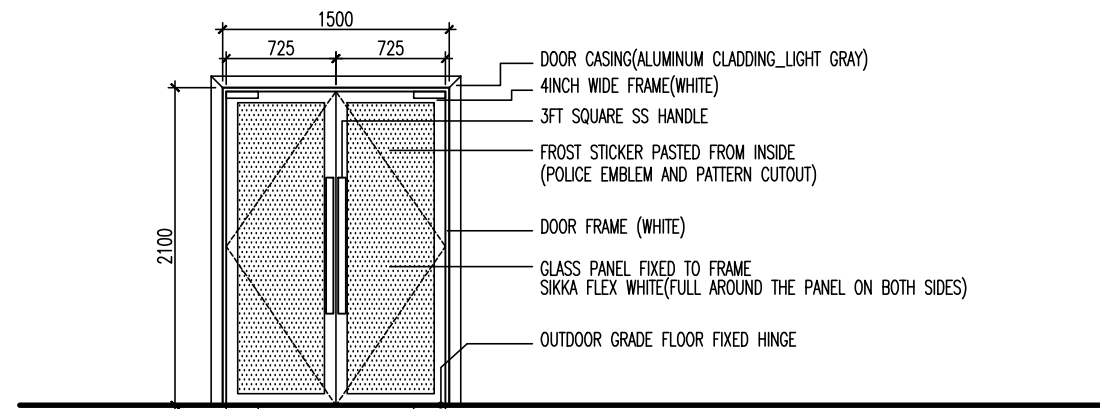
CHECKED BY CHECKED BY

ARCHITECTURAL DRAWINGS

SHEET NO. 25-DECEMBER-2023

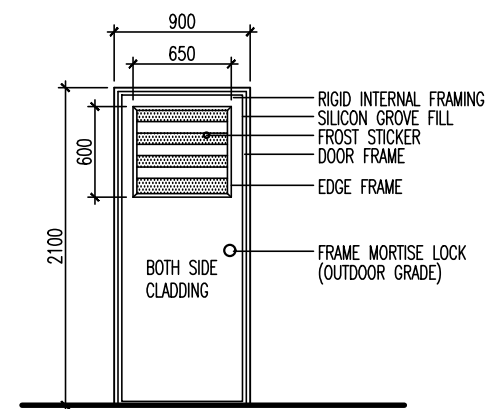
A-09

D1



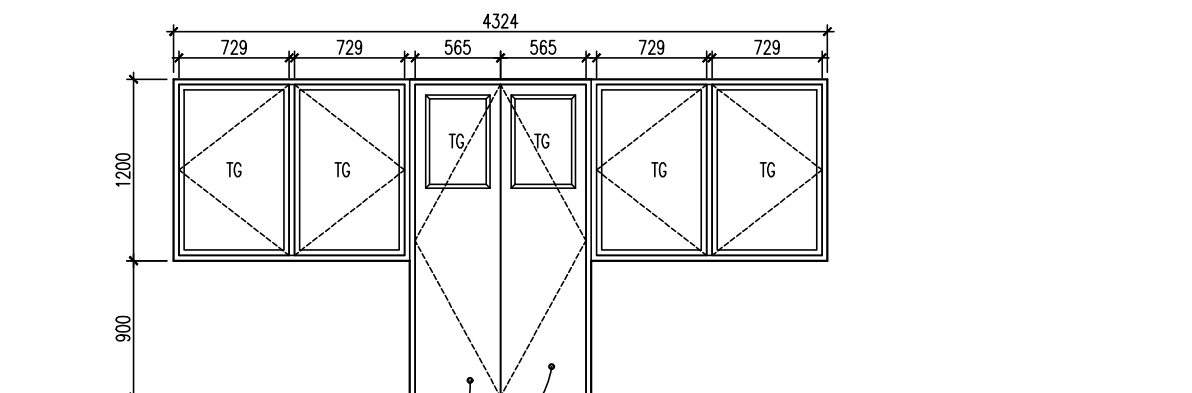
- * PROVIDE WEATHER STRIPPING FROM INSIDE
- * PROVIDE NYLON WIRE BRUSH ON ALL AROUND THE DOOR PANEL FRAME
- * DOOR CASING MUST BE FIXED UP TO THE DOOR FRAME
- * CONTRACTOR MUST TAKE ACTUAL MEASUREMENT FROM SITE
- * CONTRACTOR MUST SUBMIT SHOP DRAWINGS AND ACCESSORIES FOR APPROVAL
- * SCOPE INCLUDES REMOVAL OF EXISTING DOOR

D2



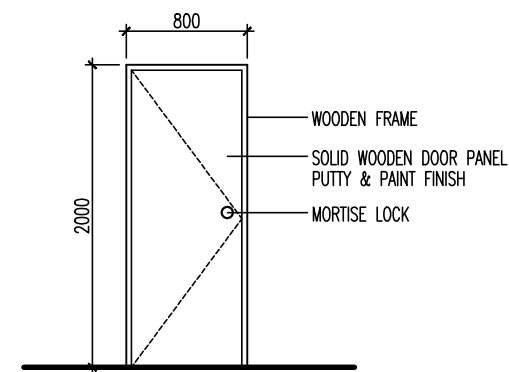
- * PROVIDE PNEUMATIC DOOR CLOSER
- * PROVIDE 4 NOS BEARING HINGES
- * PROVIDE MAGNETIC DOOR STOPPER
- * PROVIDE WEATHER STRIPPING
- * CONTRACTOR MUST SUBMIT SHOP DRAWINGS AND ACCESSORIES FOR APPROVAL
- * SCOPE INCLUDES REMOVAL OF EXISTING DOOR

D3



- BOTH SIDE CLADDING
- * PROVIDE PNEUMATIC DOOR CLOSER
 - * PROVIDE 4 NOS BEARING HINGES
 - * PROVIDE MAGNETIC DOOR STOPPER
 - * PROVIDE WEATHER STRIPPING
 - * CONTRACTOR MUST SUBMIT SHOP DRAWINGS AND ACCESSORIES FOR APPROVAL
 - * SCOPE INCLUDES REMOVAL OF EXISTING DOOR
 - * TG = TINTED GLASS

D4a



- * PROVIDE PNEUMATIC DOOR CLOSER
- * PROVIDE 4 NOS BEARING HINGES
- * PROVIDE MAGNETIC DOOR STOPPER
- * CONTRACTOR MUST SUBMIT SHOP DRAWINGS AND ACCESSORIES FOR APPROVAL
- * SCOPE INCLUDES REMOVAL OF EXISTING DOOR



INFRASTRUCTURE AND BUILDING DEVELOPMENT
MALDIVES POLICE SERVICE

PROJECT TITLE:
AA. RASDHOO POLICE STATION
RENOVATION

MALDIVES POLICE SERVICE SEAL & SIGN

CONTRACTORS SEAL & SIGN

THE DRAWINGS, CONCEPT AND DESIGN CONTAINED AREA
THE PROPERTIES OF MALDIVES POLICE SERVICE. USE OF
ANY KIND OR COPY OF WHOLE OR PART OF THIS
DRAWING CONCEPT OR DESIGN OR USE ON OTHER
PROJECTS OR SITES OTHER THAN THAT SPECIFIED ON
THIS DRAWINGS IS STRICTLY PROHIBITED

ARCHITECT/DESIGNER DRAFTED BY

STRUCTURAL ENGINEER DRAFTED BY

CHECKED BY CHECKED BY

ARCHITECTURAL DRAWINGS

SHEET NO. 25-DECEMBER-2023

A-10



INFRASTRUCTURE AND BUILDING DEVELOPMENT
MALDIVES POLICE SERVICE

PROJECT TITLE:

AA. RASDHOO POLICE STATION
RENOVATION

MALDIVES POLICE SERVICE SEAL & SIGN

CONTRACTORS SEAL & SIGN

THE DRAWINGS, CONCEPT AND DESIGN CONTAINED AREA
THE PROPERTIES OF MALDIVES POLICE SERVICE. USE OF
ANY KIND OR COPY OF WHOLE OR PART OF THIS
DRAWING CONCEPT OR DESIGN OR USE ON OTHER
PROJECTS OR SITES OTHER THAN THAT SPECIFIED ON
THIS DRAWINGS IS STRICTLY PROHIBITED

ARCHITECT/DESIGNER DRAFTED BY

STRUCTURAL ENGINEER DRAFTED BY

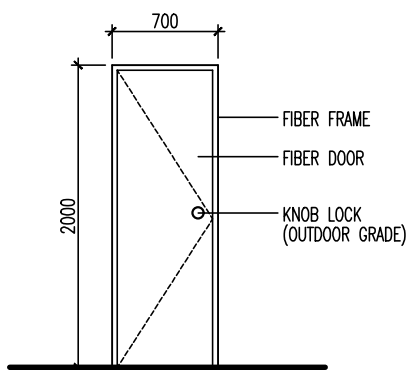
CHECKED BY CHECKED BY

ARCHITECTURAL DRAWINGS

SHEET NO. 25-DECEMBER-2023

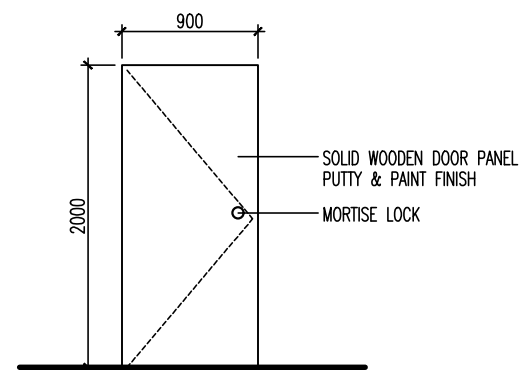
A-11

D5a



- * PROVIDE 3 NOS BEARING HINGES
- * CONTRACTOR MUST SUBMIT SHOP DRAWINGS AND ACCESSORIES FOR APPROVAL
- * SCOPE INCLUDES REMOVAL OF EXISTING DOOR

D4



- * PROVIDE PNEUMATIC DOOR CLOSER
- * PROVIDE 4 NOS BEARING HINGES
- * PROVIDE MAGNETIC DOOR STOPPER
- * CONTRACTOR MUST SUBMIT SHOP DRAWINGS AND ACCESSORIES FOR APPROVAL
- * SCOPE INCLUDES REMOVAL OF EXISTING DOOR