

CLIENT:

K.GURAIIDHOO COUNCIL

PROJECT:

**HUT DESIGN**

K. GURAIIDHOO

ARCHITECT:

FAYYAH FAUZY

ARCHITECTURAL CHECKER:

ALI WAJEEH

STRUCTURAL ENGINEER:

ADAM SAANEEZ

STRUCTURAL CHECKER:

HUSSAIN SHIHAN

SCALE: AS GIVEN

DRWNG TITLE : AS GIVN

DATE: D17M08Y23

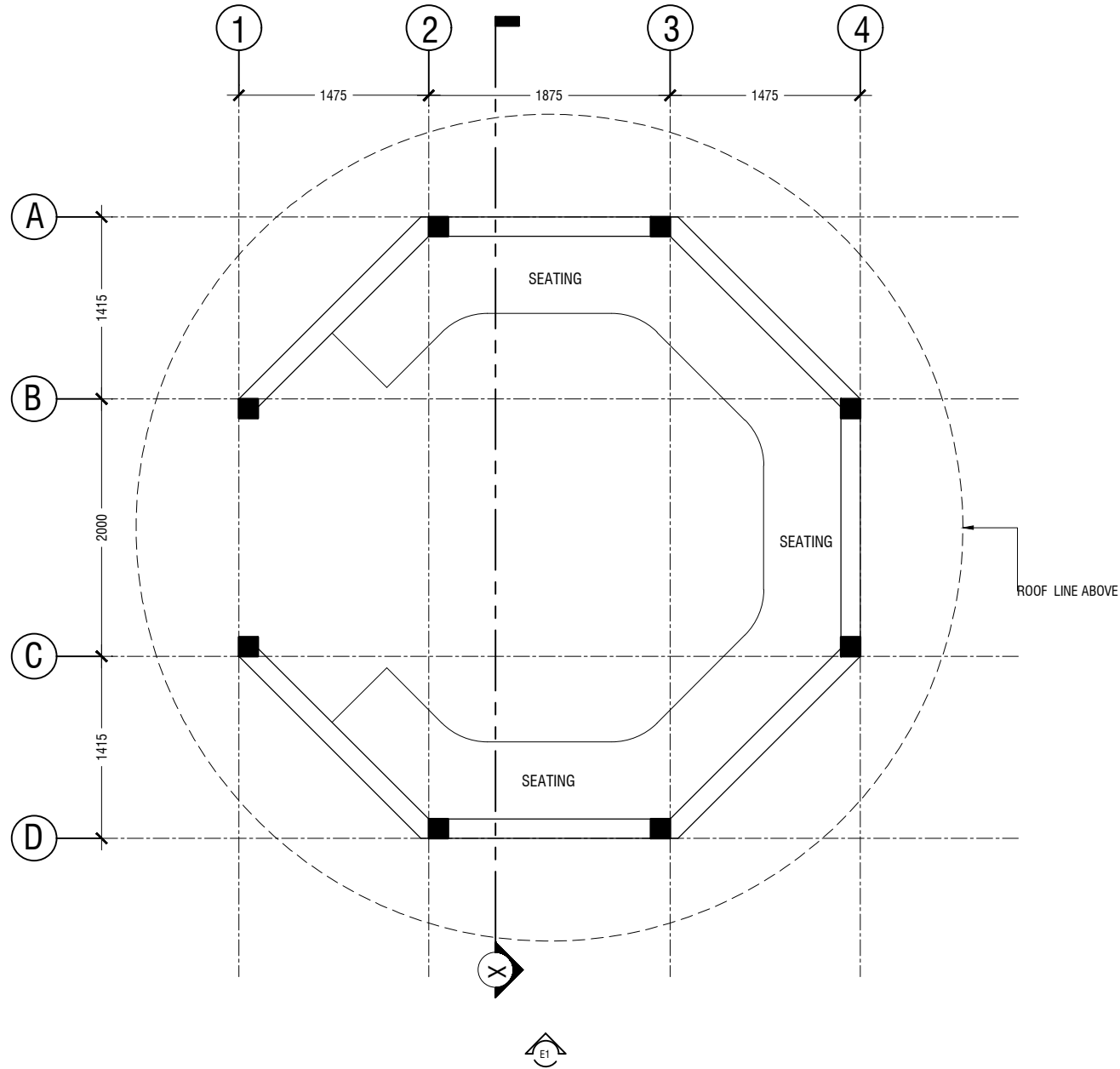
REVISION NO.: 00

FILE NAME:

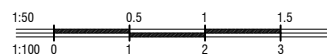
\\DLINK-031BBD\Volume\_1\MACO  
PROJECTS\2023\HUT DESIGN

**WARNING:**

- This drawing shall not be used for construction unless certified.
- Contractor to verify all dimensions of existing works on site before commencing any work or preparing shop drawings.
- Do not scale drawings, use written dimensions only.
- This drawing is to be read in conjunction with the specifications and conditions of contract.
- This drawing and design is copyright and no portion may be reproduced without the permission of the MACO architects



**FLOOR PLAN**  
SCALE = 1:50



A1

CLIENT:

K.GURAIIDHOO COUNCIL

PROJECT:

**HUT DESIGN**

K. GURAIIDHOO

ARCHITECT:

FAYYAH FAUZY

ARCHITECTURAL CHECKER:

ALI WAJEEH

STRUCTURAL ENGINEER:

ADAM SAANEEZ

STRUCTURAL CHECKER:

HUSSAIN SHIHAN

SCALE: AS GIVEN

**DRWNG TITLE : AS GIVN**

DATE: D17M08Y23

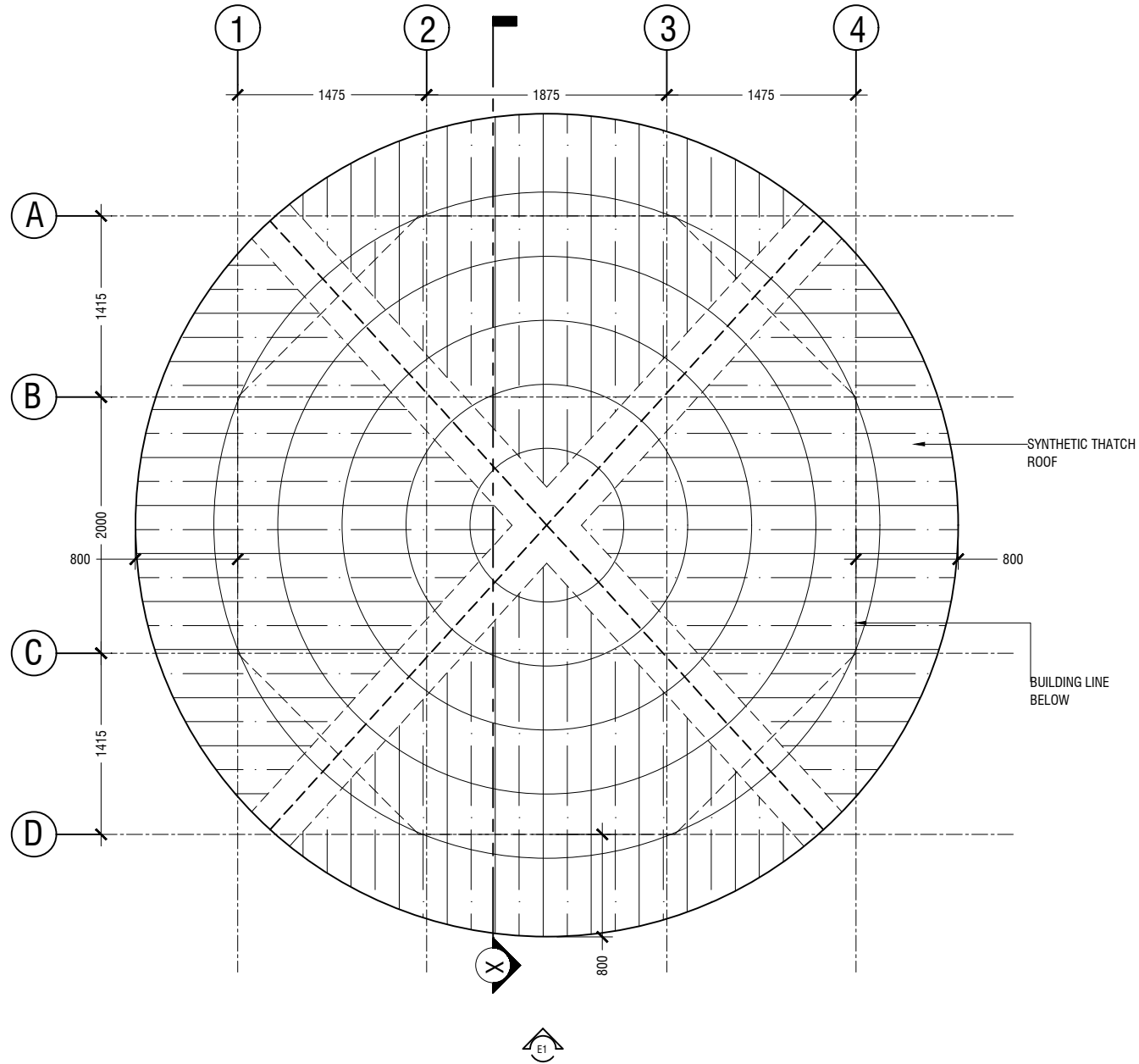
REVISION NO.: 00

FILE NAME:

\\DLINK-031BBD\Volume\_1\MACO  
PROJECTS\2023\HUT DESIGN

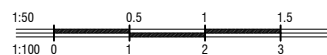
**WARNING:**

- This drawing shall not be used for construction unless certified.
- Contractor to verify all dimensions of existing works on site before commencing any work or preparing shop drawings.
- Do not scale drawings, use written dimensions only.
- This drawing is to be read in conjunction with the specifications and conditions of contract.
- This drawing and design is copyright and no portion may be reproduced without the permission of the MACO architects



**ROOF PLAN**

SCALE = 1:50



**A2**

CLIENT:

K.GURAIIDHOO COUNCIL

PROJECT:

**HUT DESIGN**

K. GURAIIDHOO

ARCHITECT:

FAYYAH FAUZY

ARCHITECTURAL CHECKER:

ALI WAJEEH

STRUCTURAL ENGINEER:

ADAM SAANEEZ

STRUCTURAL CHECKER:

HUSSAIN SHIHAN

SCALE: AS GIVEN

DRWNG TITLE : AS GIVN

DATE: D17M08Y23

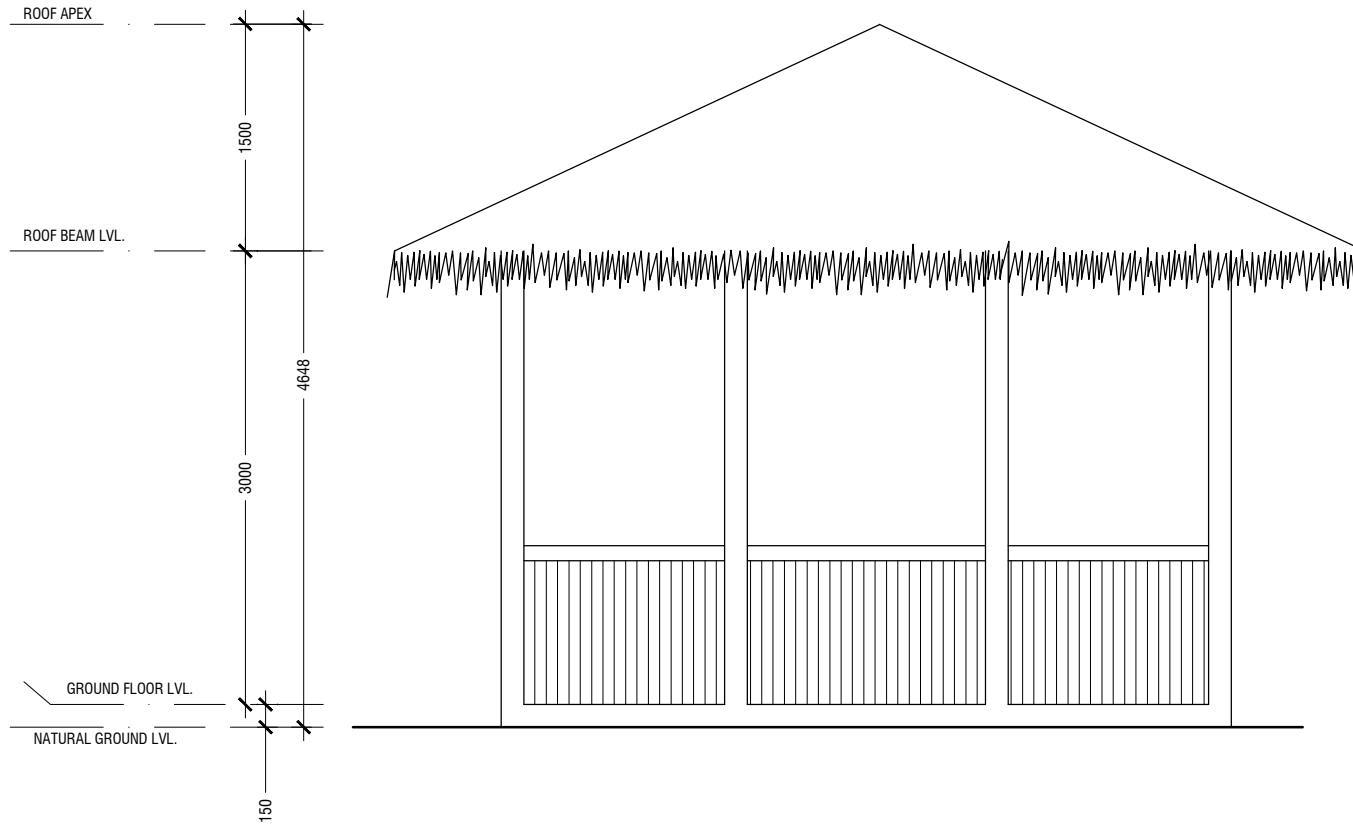
REVISION NO.: 00

FILE NAME:

\\DLINK-031BBD\Volume\_1\MACO  
PROJECTS\2023\HUT DESIGN

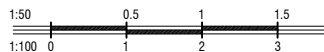
WARNING:

- This drawing shall not be used for construction unless certified.
- Contractor to verify all dimensions of existing works on site before commencing any work or preparing shop drawings.
- Do not scale drawings, use written dimensions only.
- This drawing is to be read in conjunction with the specifications and conditions of contract.
- This drawing and design is copyright and no portion may be reproduced without the permission of the MACO architects



ELEVATION E1

SCALE = 1:50



A3

CLIENT:

K.GURAIIDHOO COUNCIL

PROJECT:

**HUT DESIGN**

K. GURAIIDHOO

ARCHITECT:

FAYYAH FAUZY

ARCHITECTURAL CHECKER:

ALI WAJEEH

STRUCTURAL ENGINEER:

ADAM SAANEEZ

STRUCTURAL CHECKER:

HUSSAIN SHIHAN

SCALE: AS GIVEN

DRWNG TITLE : AS GIVN

DATE: D17M08Y23

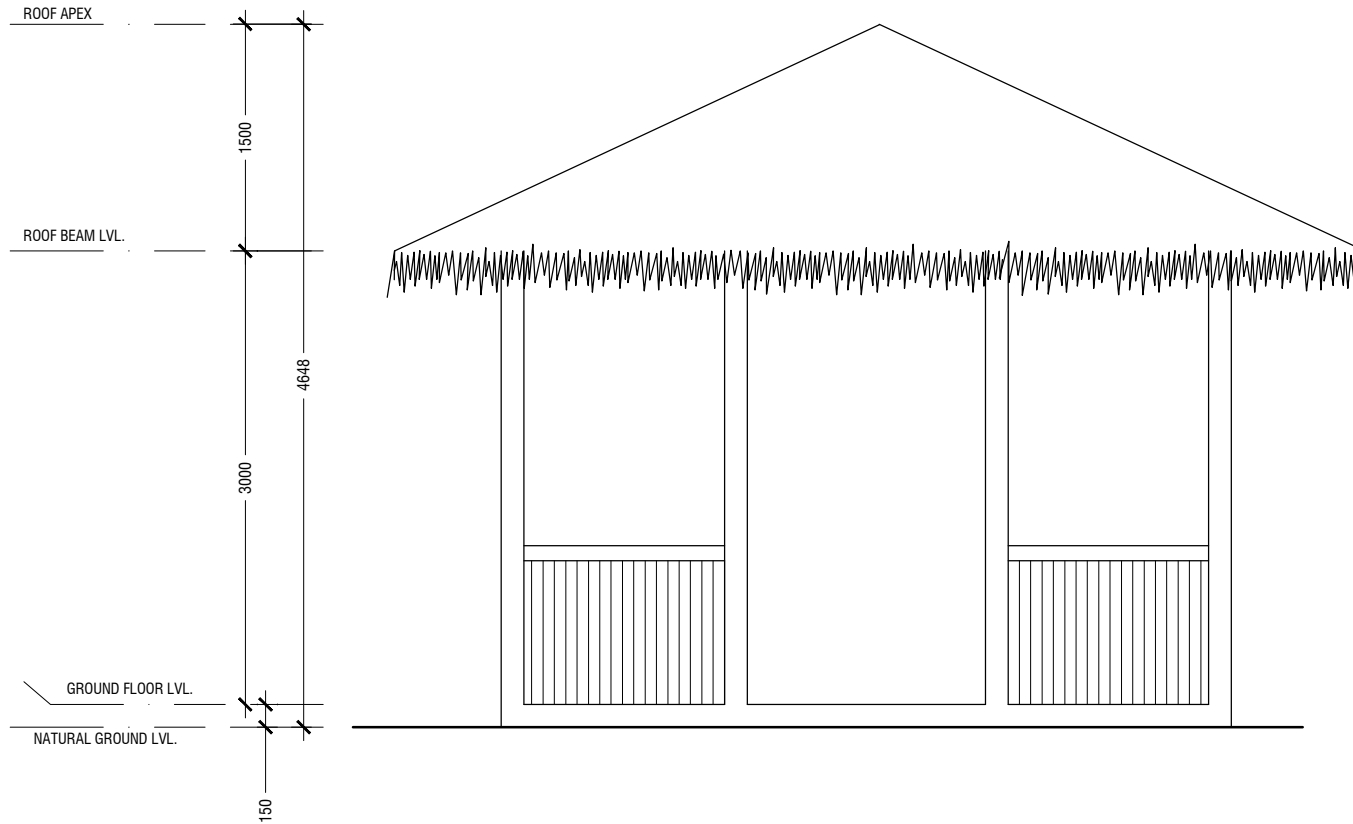
REVISION NO.: 00

FILE NAME:

\\DLINK-031BBD\Volume\_1\MACO  
PROJECTS\2023\HUT DESIGN

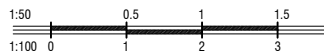
**WARNING:**

- This drawing shall not be used for construction unless certified.
- Contractor to verify all dimensions of existing works on site before commencing any work or preparing shop drawings.
- Do not scale drawings, use written dimensions only.
- This drawing is to be read in conjunction with the specifications and conditions of contract.
- This drawing and design is copyright and no portion may be reproduced without the permission of the MACO architects



**ELEVATION E2**

SCALE = 1:50



**A4**

CLIENT:

K.GURAIIDHOO COUNCIL

PROJECT:

**HUT DESIGN**

K. GURAIIDHOO

ARCHITECT:

FAYYAH FAUZY

ARCHITECTURAL CHECKER:

ALI WAJEEH

STRUCTURAL ENGINEER:

ADAM SAANEEZ

STRUCTURAL CHECKER:

HUSSAIN SHIHAN

SCALE: AS GIVEN

DRWNG TITLE : AS GIVN

DATE: D17M08Y23

REVISION NO.: 00

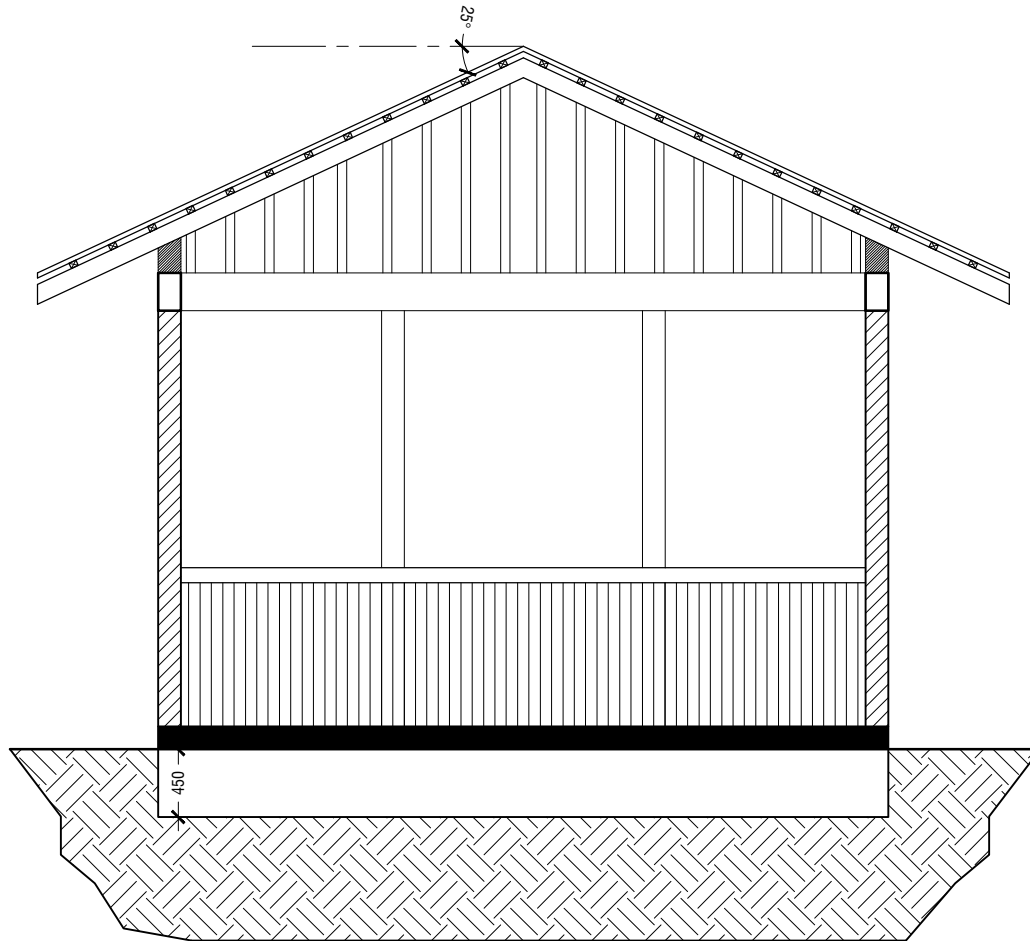
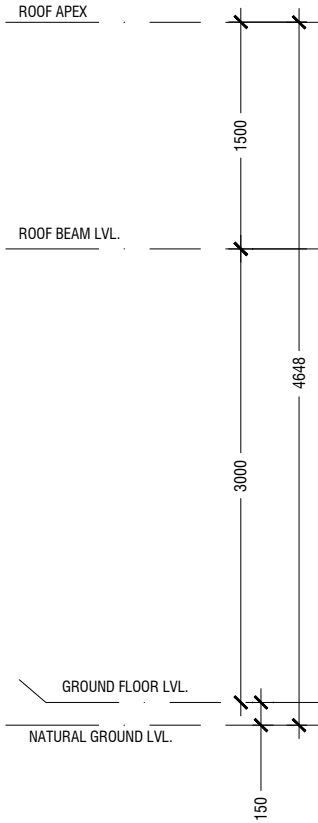
FILE NAME:

\\DLINK-031BBD\Volume\_1\MACO  
PROJECTS\2023\HUT DESIGN

WARNING:

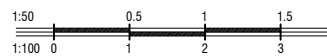
- This drawing shall not be used for construction unless certified.
- Contractor to verify all dimensions of existing works on site before commencing any work or preparing shop drawings.
- Do not scale drawings, use written dimensions only.
- This drawing is to be read in conjunction with the specifications and conditions of contract.
- This drawing and design is copyright and no portion may be reproduced without the permission of the MACO architects

**A5**



**SECTION-X**

SCALE = 1:50



CLIENT:

K.GURAIIDHOO COUNCIL

PROJECT:

**HUT DESIGN**

K. GURAIIDHOO

ARCHITECT:

FAYYAH FAUZY

ARCHITECTURAL CHECKER:

ALI WAJEEH

STRUCTURAL ENGINEER:

ADAM SAANEEZ

STRUCTURAL CHECKER:

HUSSAIN SHIHAN

SCALE: AS GIVEN

DRWNG TITLE : AS GIVN

DATE: D17M08Y23

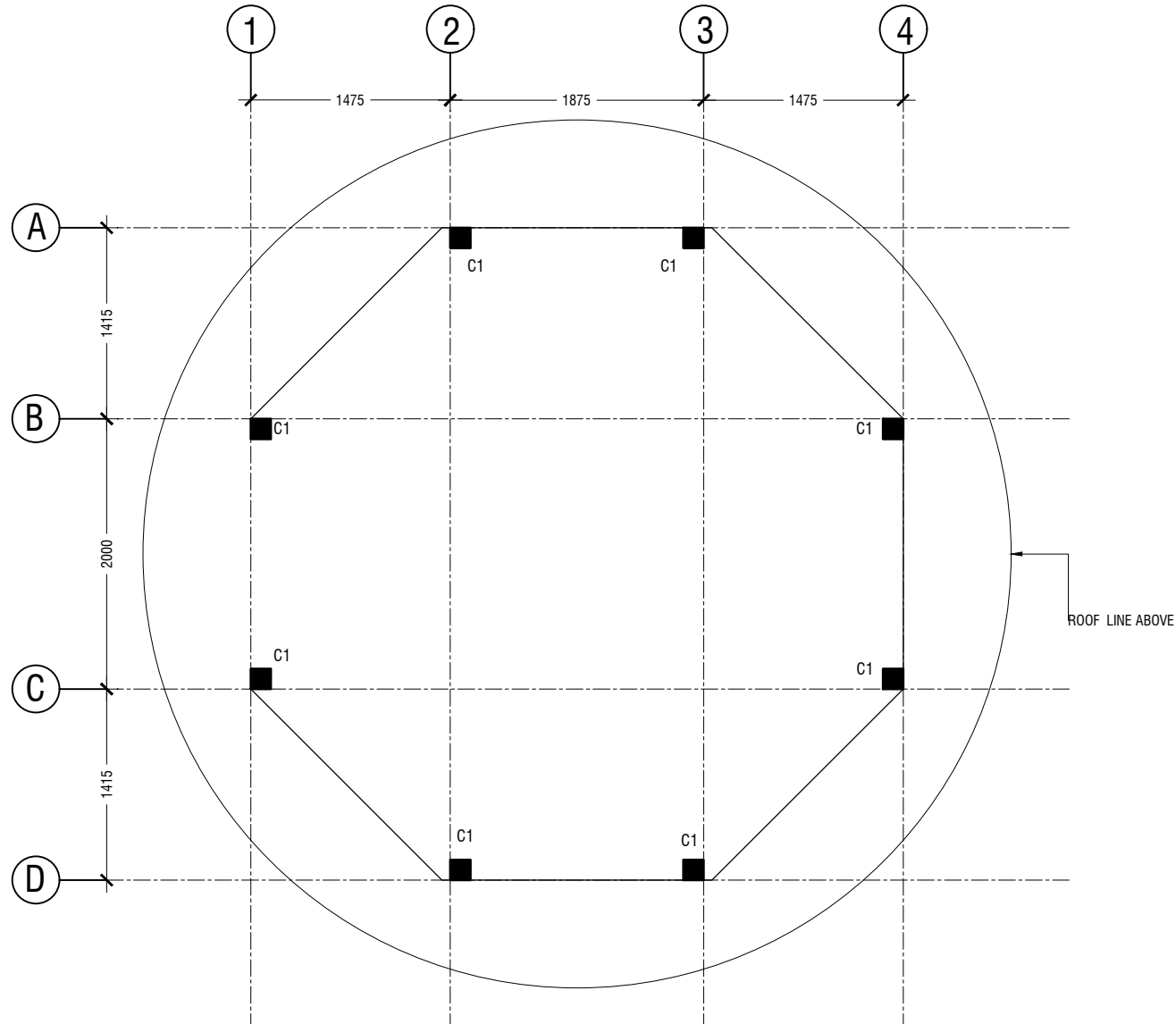
REVISION NO.: 00

FILE NAME:

\\DLINK-031BBD\Volume\_1\MACO  
PROJECTS\2023\HUT DESIGN

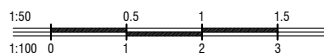
**WARNING:**

- This drawing shall not be used for construction unless certified.
- Contractor to verify all dimensions of existing works on site before commencing any work or preparing shop drawings.
- Do not scale drawings, use written dimensions only.
- This drawing is to be read in conjunction with the specifications and conditions of contract.
- This drawing and design is copyright and no portion may be reproduced without the permission of the MACO architects



**COLUMN LOCATION PLAN**

SCALE = 1:50



**S1**

CLIENT:

K.GURAIIDHOO COUNCIL

PROJECT:

**HUT DESIGN**

K. GURAIIDHOO

ARCHITECT:

FAYYAH FAUZY

ARCHITECTURAL CHECKER:

ALI WAJEEH

STRUCTURAL ENGINEER:

ADAM SAANEEZ

STRUCTURAL CHECKER:

HUSSAIN SHIHAN

SCALE: AS GIVEN

DRWNG TITLE : AS GIVN

DATE: D17M08Y23

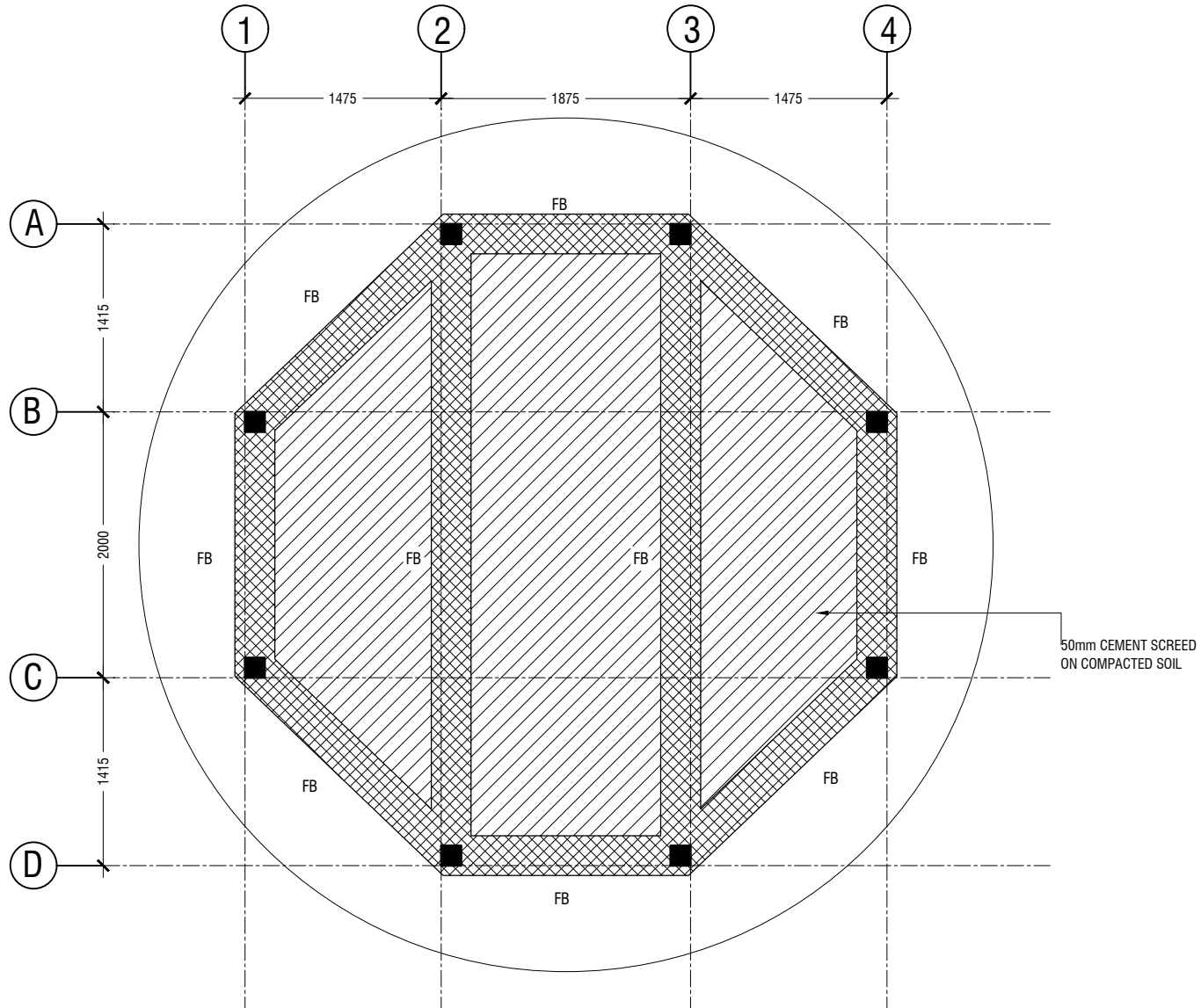
REVISION NO.: 00

FILE NAME:

\\DLINK-031BBD\Volume\_1\MACO  
PROJECTS\2023\HUT DESIGN

WARNING:

- This drawing shall not be used for construction unless certified.
- Contractor to verify all dimensions of existing works on site before commencing any work or preparing shop drawings.
- Do not scale drawings, use written dimensions only.
- This drawing is to be read in conjunction with the specifications and conditions of contract.
- This drawing and design is copyright and no portion may be reproduced without the permission of the MACO architects



**FOUNDATION PLAN**

SCALE = 1:50



FOUNDATION BEAM (FB)

NOTE:  
ALL FOUNDATION BEAMS ARE FB UNLESS SPECIFIED OTHERWISE  
FOUNDATION DEPTH = 750mm

**S2**

CLIENT:

K.GURAIIDHOO COUNCIL

PROJECT:

**HUT DESIGN**

K. GURAIIDHOO

ARCHITECT:

FAYYAH FAUZY

ARCHITECTURAL CHECKER:

ALI WAJEEH

STRUCTURAL ENGINEER:

ADAM SAANEEZ

STRUCTURAL CHECKER:

HUSSAIN SHIHAN

SCALE: AS GIVEN

DRWNG TITLE : AS GIVN

DATE: D17M08Y23

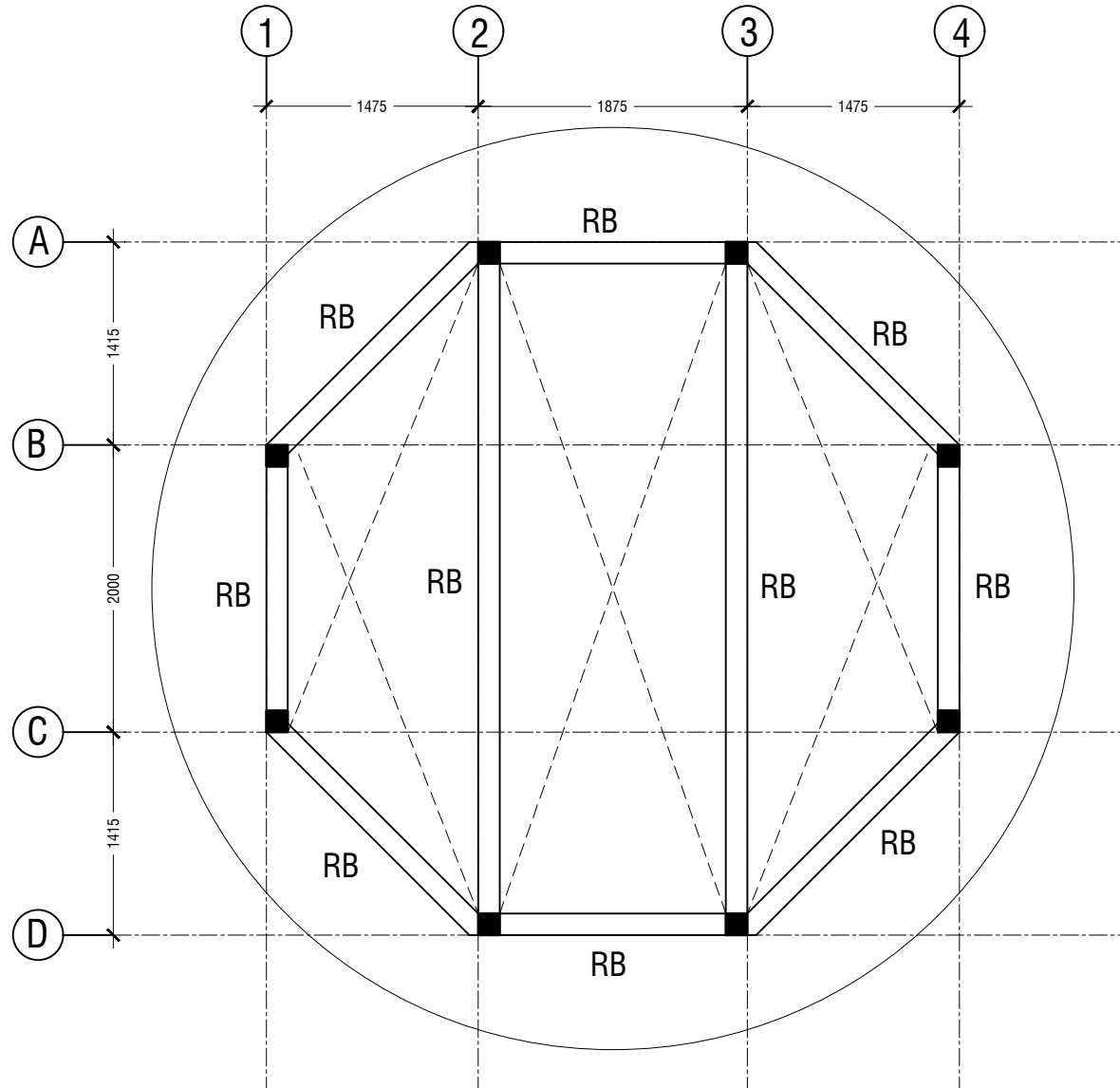
REVISION NO.: 00

FILE NAME:

\\DLINK-031BBD\Volume\_1\MACO  
PROJECTS\2023\HUT DESIGN

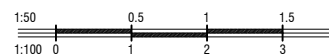
**WARNING:**

- This drawing shall not be used for construction unless certified.
- Contractor to verify all dimensions of existing works on site before commencing any work or preparing shop drawings.
- Do not scale drawings, use written dimensions only.
- This drawing is to be read in conjunction with the specifications and conditions of contract.
- This drawing and design is copyright and no portion may be reproduced without the permission of the MACO architects



**ROOF BEAM PLAN**

SCALE = 1:50



**S3**



CLIENT:

K.GURAIIDHOO COUNCIL

PROJECT:

**HUT DESIGN**

K. GURAIIDHOO

ARCHITECT:

FAYYAH FAUZY

ARCHITECTURAL CHECKER:

ALI WAJEEH

STRUCTURAL ENGINEER:

ADAM SAANEEZ

STRUCTURAL CHECKER:

HUSSAIN SHIHAN

SCALE: AS GIVEN

**DRWNG TITLE : AS GIVN**

DATE: D17M08Y23

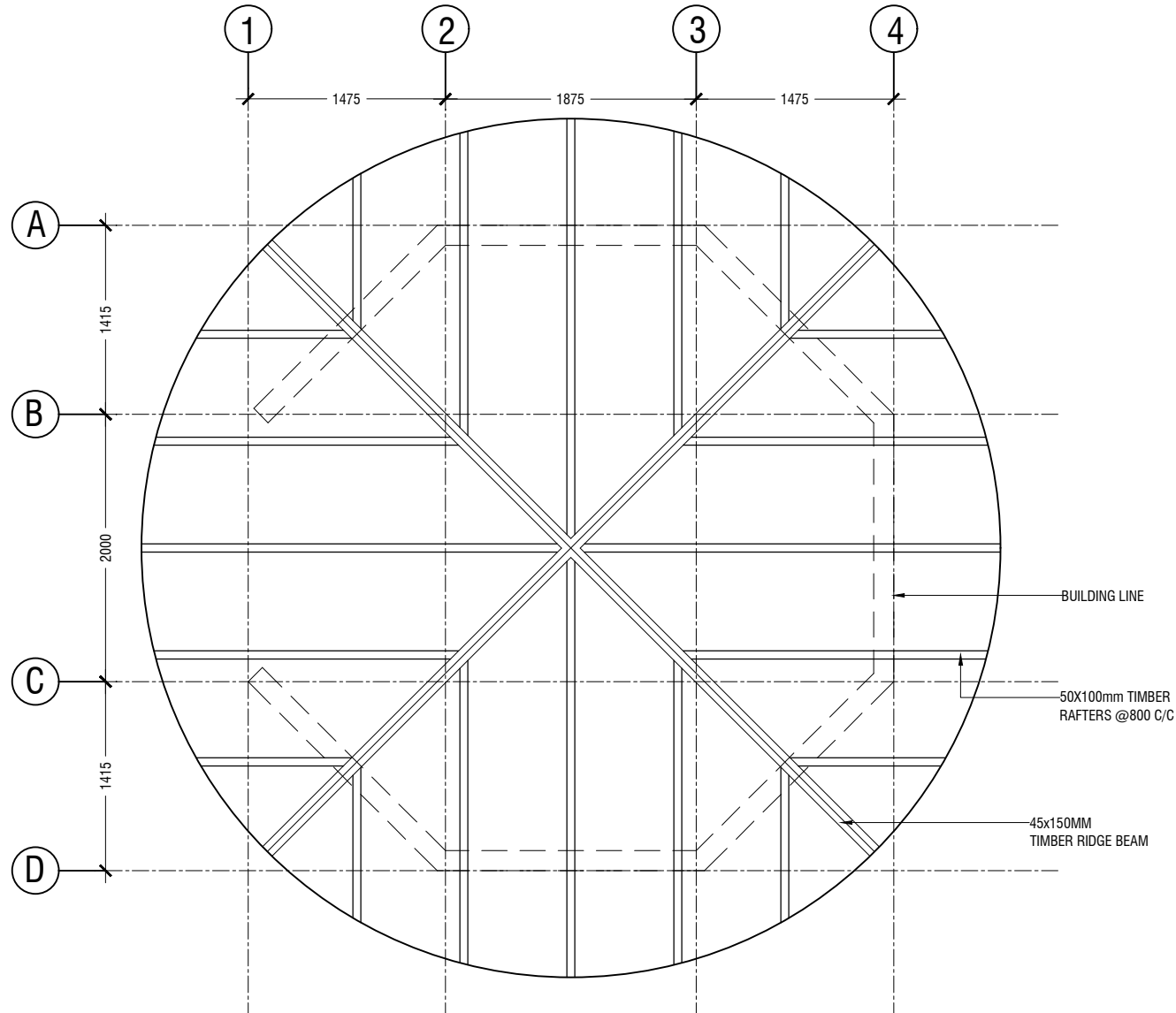
REVISION NO.: 00

FILE NAME:

\\DLINK-031BBD\Volume\_1\MACO  
PROJECTS\2023\HUT DESIGN

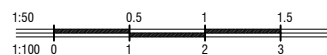
**WARNING:**

- This drawing shall not be used for construction unless certified.
- Contractor to verify all dimensions of existing works on site before commencing any work or preparing shop drawings.
- Do not scale drawings, use written dimensions only.
- This drawing is to be read in conjunction with the specifications and conditions of contract.
- This drawing and design is copyright and no portion may be reproduced without the permission of the MACO architects



**ROOF FRAMING PLAN**

SCALE = 1:50



**S4**

