



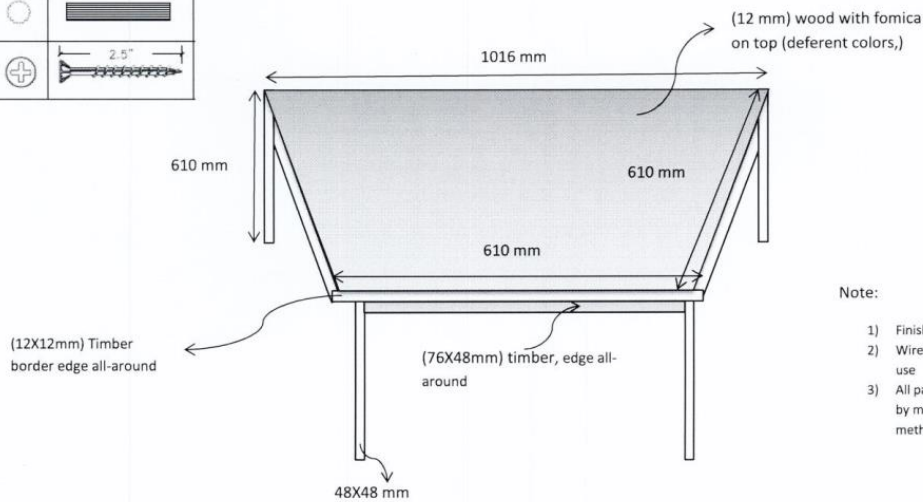
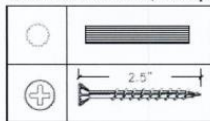
ދިވެހިސަރުކާރުގެ  
 ފަރާތުން  
 ބިނާކުރި  
 ފަންޓޭޝަނަލް ސަލާމަތް ދަފްތަރު

ދިވެހިސަރުކާރުގެ ފަރާތުން ބިނާކުރި ފަންޓޭޝަނަލް ސަލާމަތް ދަފްތަރު

## TRAPIZIUM DESK

Screw to be screwed before putting on the formica finish

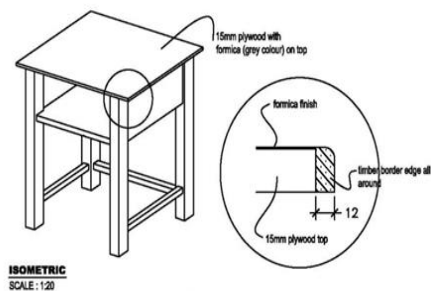
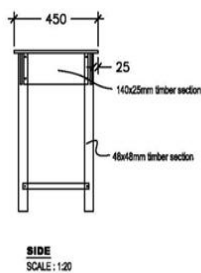
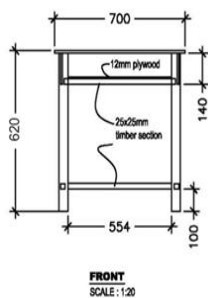
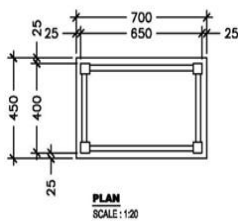
- Multi-groove furniture hardwood timber dowels that allows excess glue to escape and distribute along the dowel when it is pushed into place.
- Countersunk Rib head (needle point) 8 No. screws for general fixing to treated timber, EG.,trellis,outdoor furniture fence, lattice, etc



Note:

- 1) Finish 2 coat varnish
- 2) Wire nail should not be use
- 3) All parts should be joined by mortise and tenon method

## PRIMARY DESK



Note:

- 1) Finish: 2 coat varnish
- 2) Wire nail should not be used
- 3) All parts should be joined by mortise and tenon method

PRIMARY DESK  
SCALE: AS GIVEN

