

Procurement of Storage Room Racks and IT Workbench

BIDDERS DETAILS

BUSINESS NAME:

CONTACT #:

EMAIL:

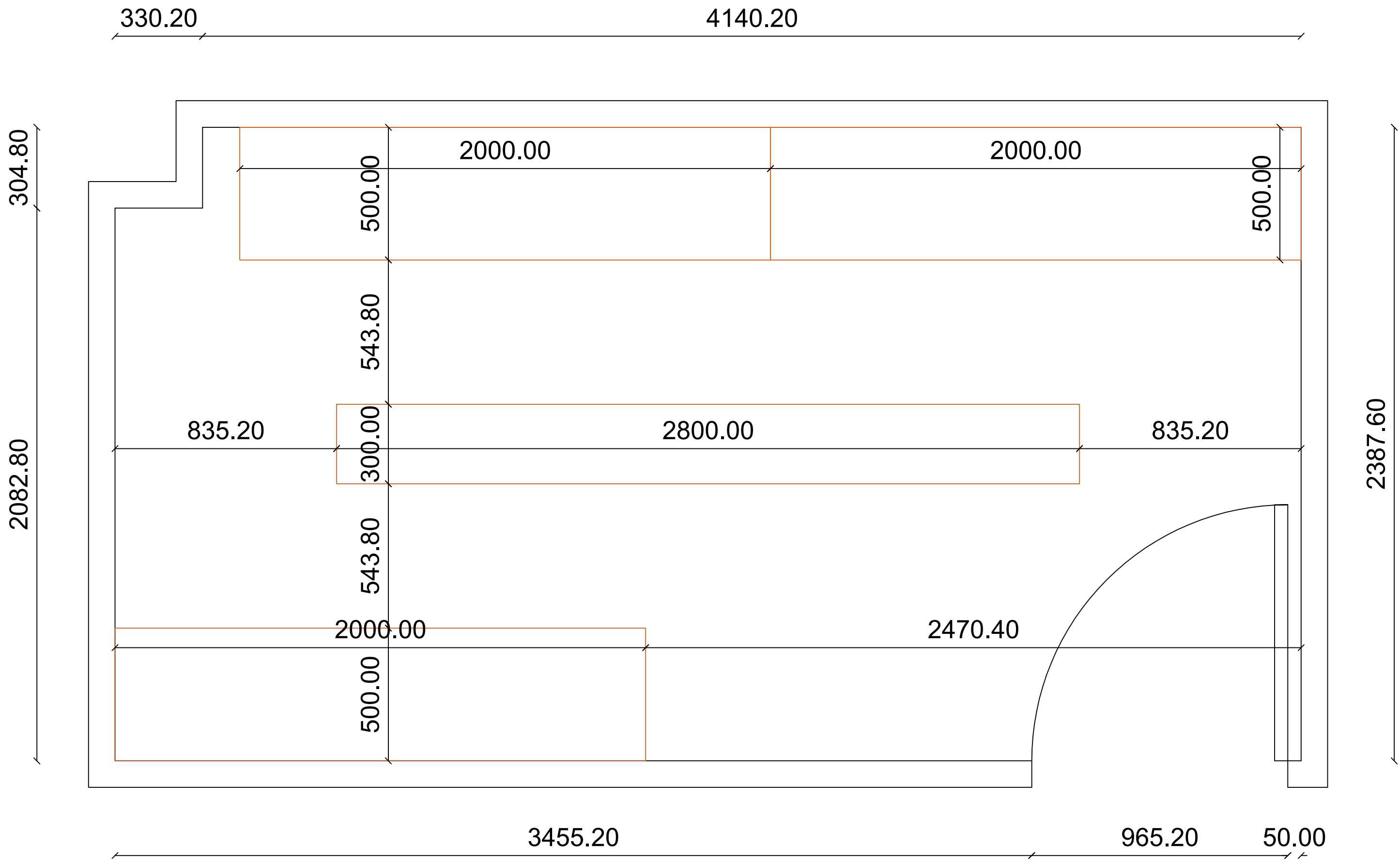
SIGN/STAMP:

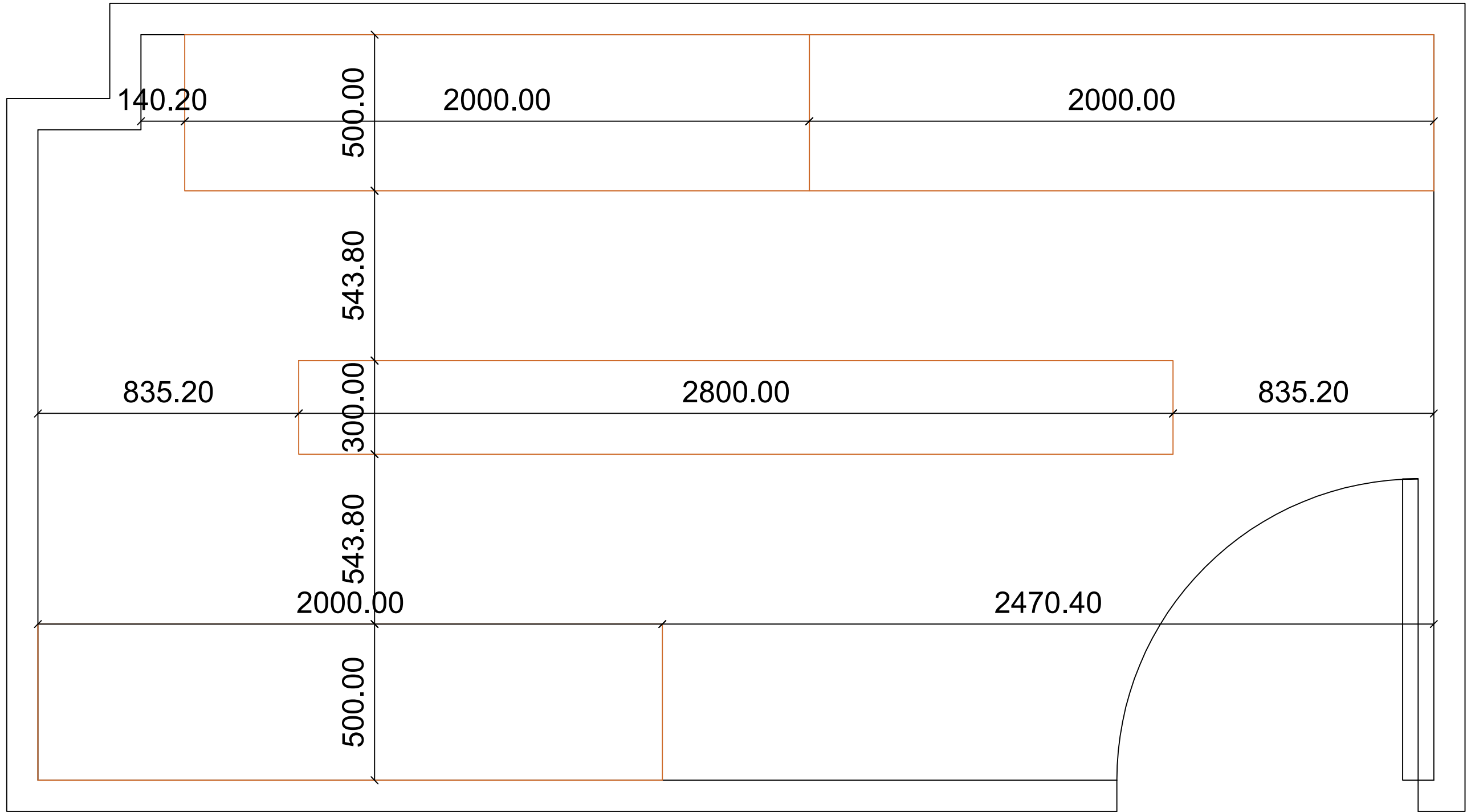
REQUIRED SPECIFICATION		PROPOSED SPECIFICATION
Storage Room Racks		
Racks are to have six storeys excluding the top shelf.		
All storeys to be individually height adjustable.		
Rack dimensions and quantities:		
2000mm x 500mm x 2000mm (L x W x H): 3 pieces		
2800mm x 300mm x 2000mm (L x W x H): 1 piece		
Storage bin specifications and total quantities:		
Specification	Quantity	
300mm x 100mm x 150mm - 5kg load - White	30	
300mm x 200mm x 150mm - 15kg load - Green	15	
300mm x 200mm x 200mm - 15kg load - Yellow	15	
300mm x 280mm x 150mm - 15kg load - Red	10	
300mm x 280mm x 150mm - 15kg load - Blue	10	
300mm x 400mm x 200mm - 25kg load - Black	10	
500mm x 200mm x 150mm - 15kg load - White	30	
500mm x 200mm x 150mm - 15kg load - Blue	30	
500mm x 200mm x 200mm - 20kg load - Yellow	30	
500mm x 400mm x 150mm - 25kg load - Green	15	
500mm x 400mm x 200mm - 35kg load - Red	15	
500mm x 400mm x 200mm - 35kg load - Black	15	
If the specified color is not available, bidders can submit any color instead.		
Please refer to attached drawings for dimensions of the room and general arrangement idea.		
Workbench		
Entire workbench including cabinets to be 1600mm (L) x 2050mm (H)		
Please refer to attached image of sample workbench and part numbers.		
Specification	Quantity	
Workbench and bottom drawer sets - TC-007	1	
Tool hanging backplate - HP-01	4	
Tool mounting fixtures - TH-01	3	
Top cabinets - TC-002	2	
Scope of work for bidder		
Assembly of storage racks and workbench on-site.		
All fasteners used in assembly to be torqued to manufacturer specifications.		
Storage shelves to be anchored to floor with heavy duty concrete fasteners and torqued to manufacturer specifications.		

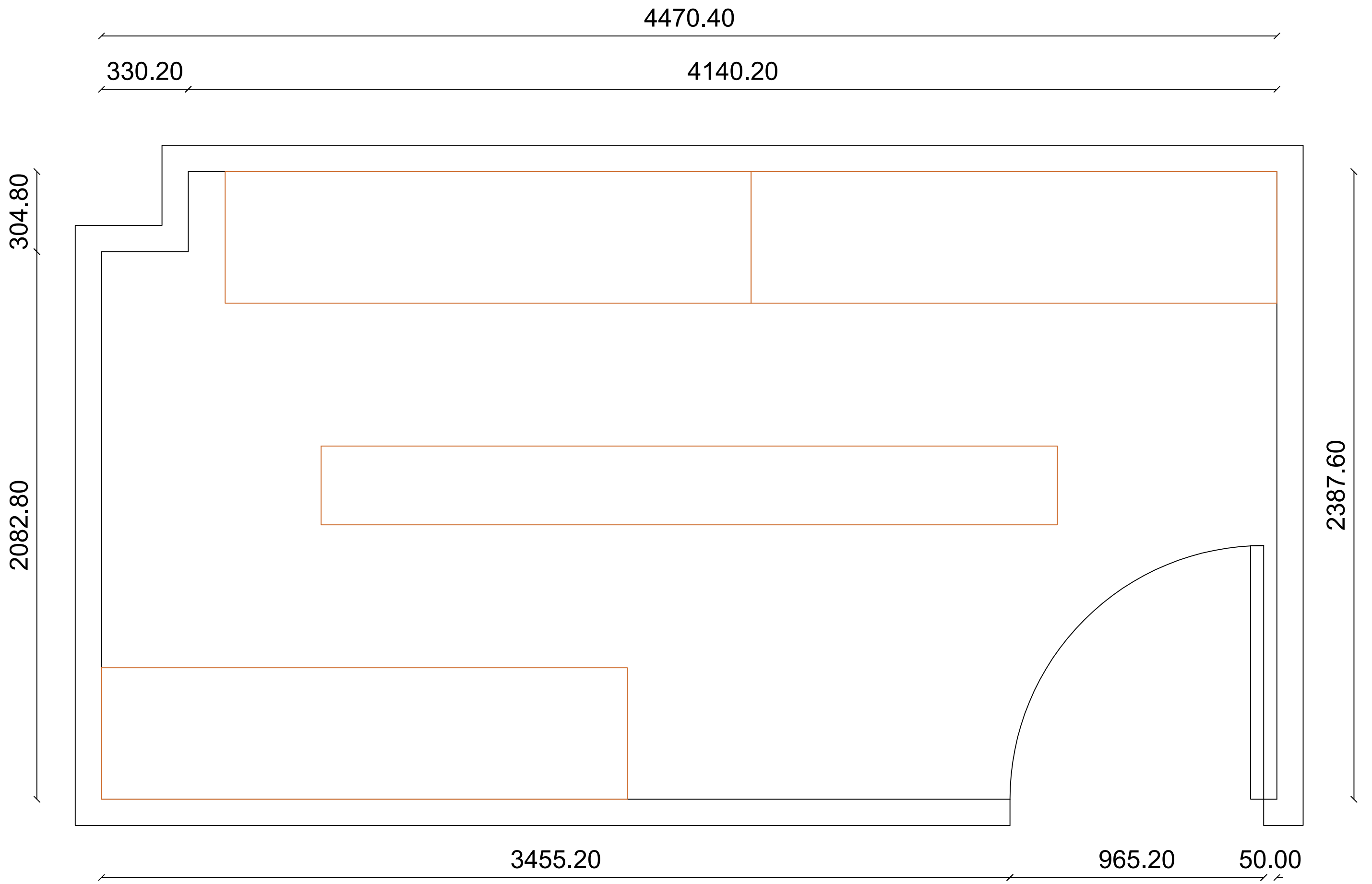
PRICE

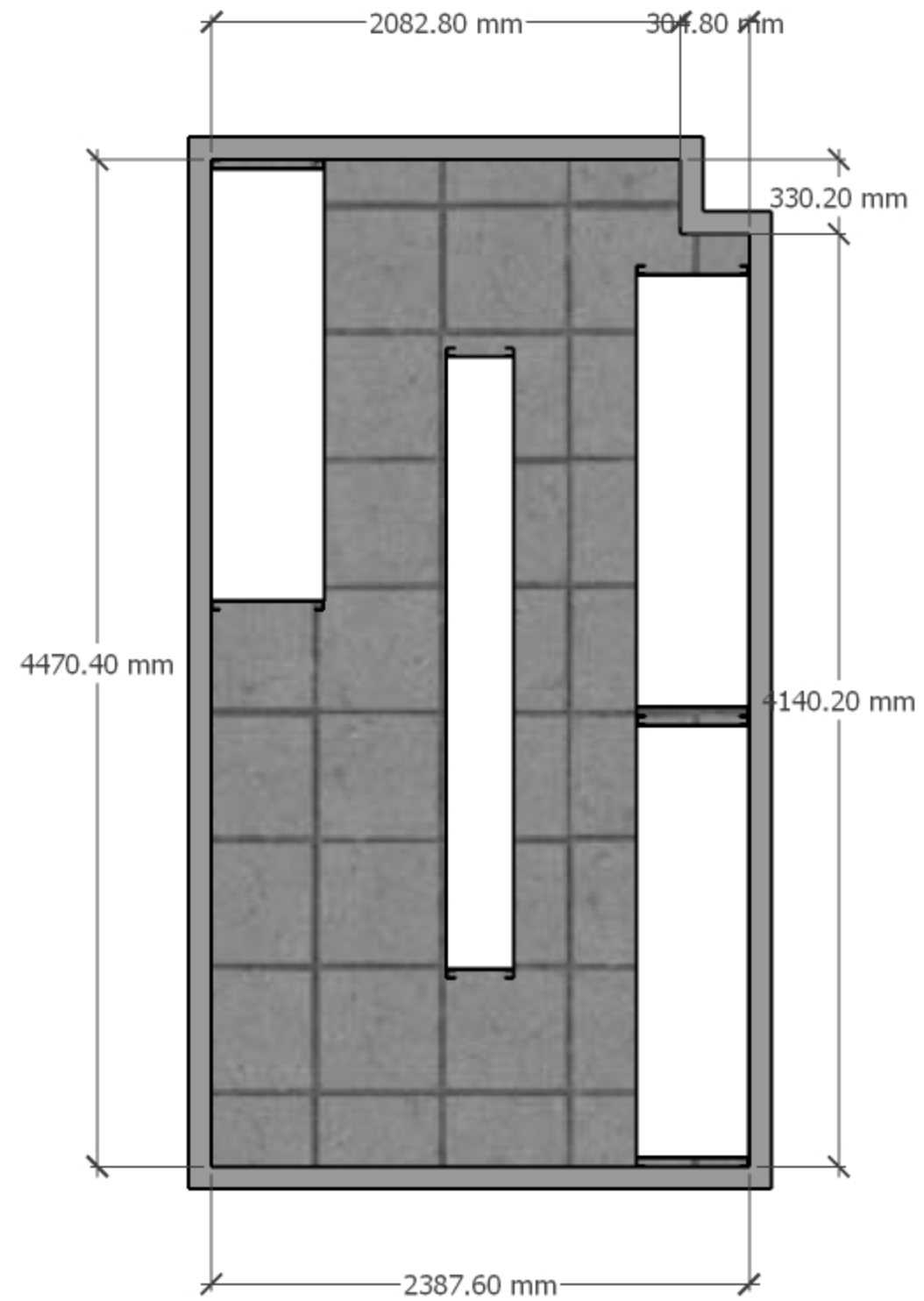
GST

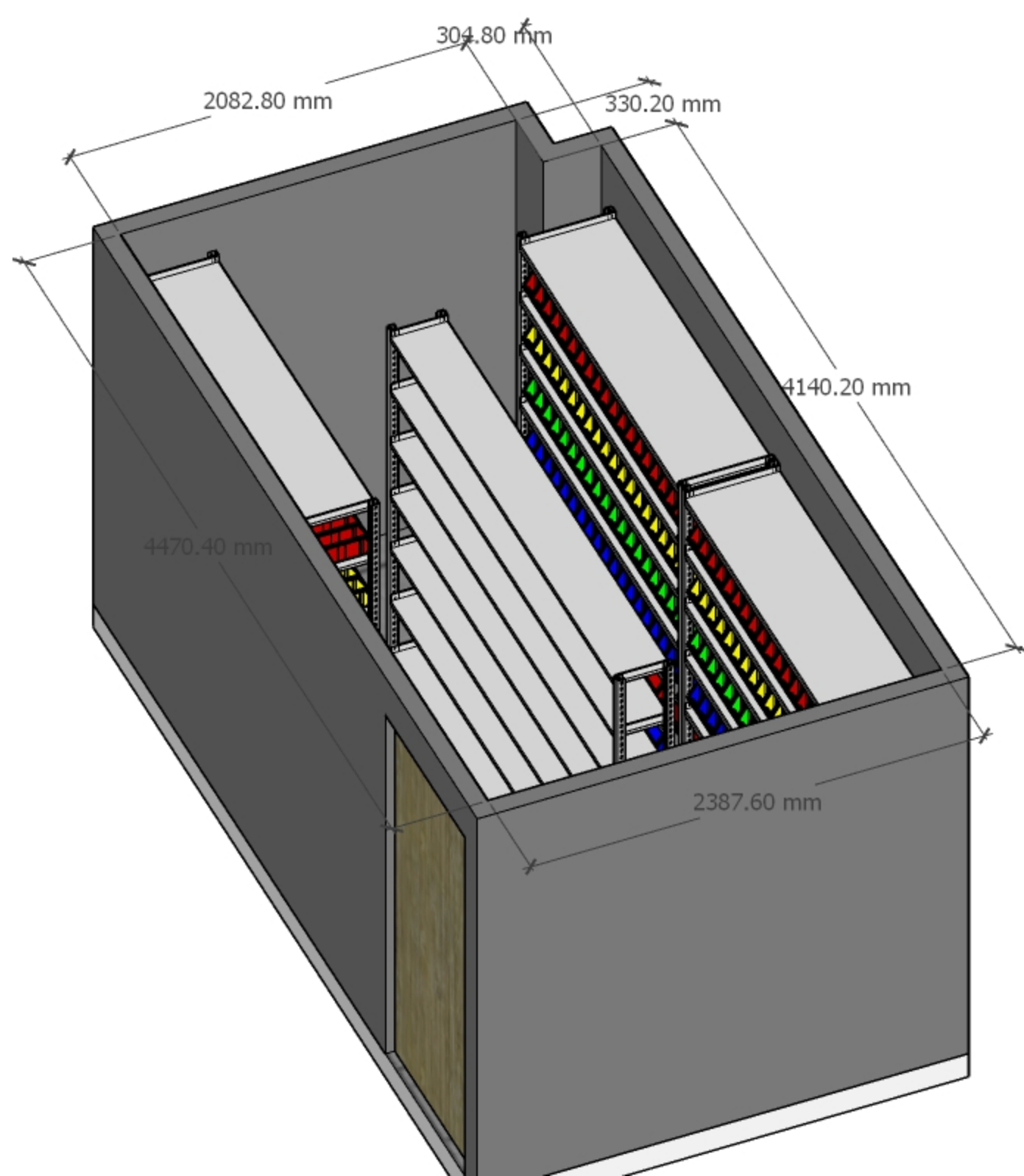
TOTAL

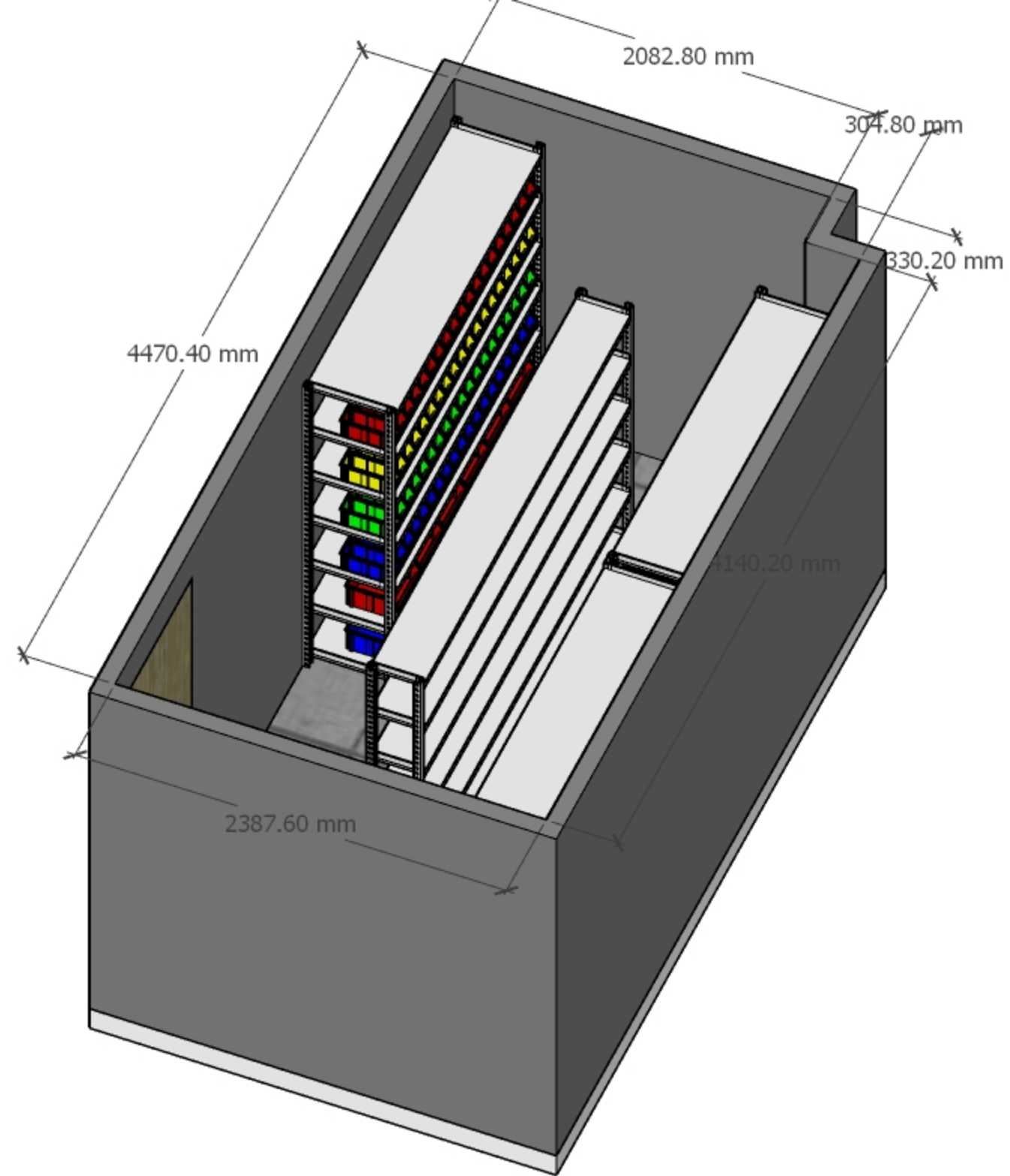


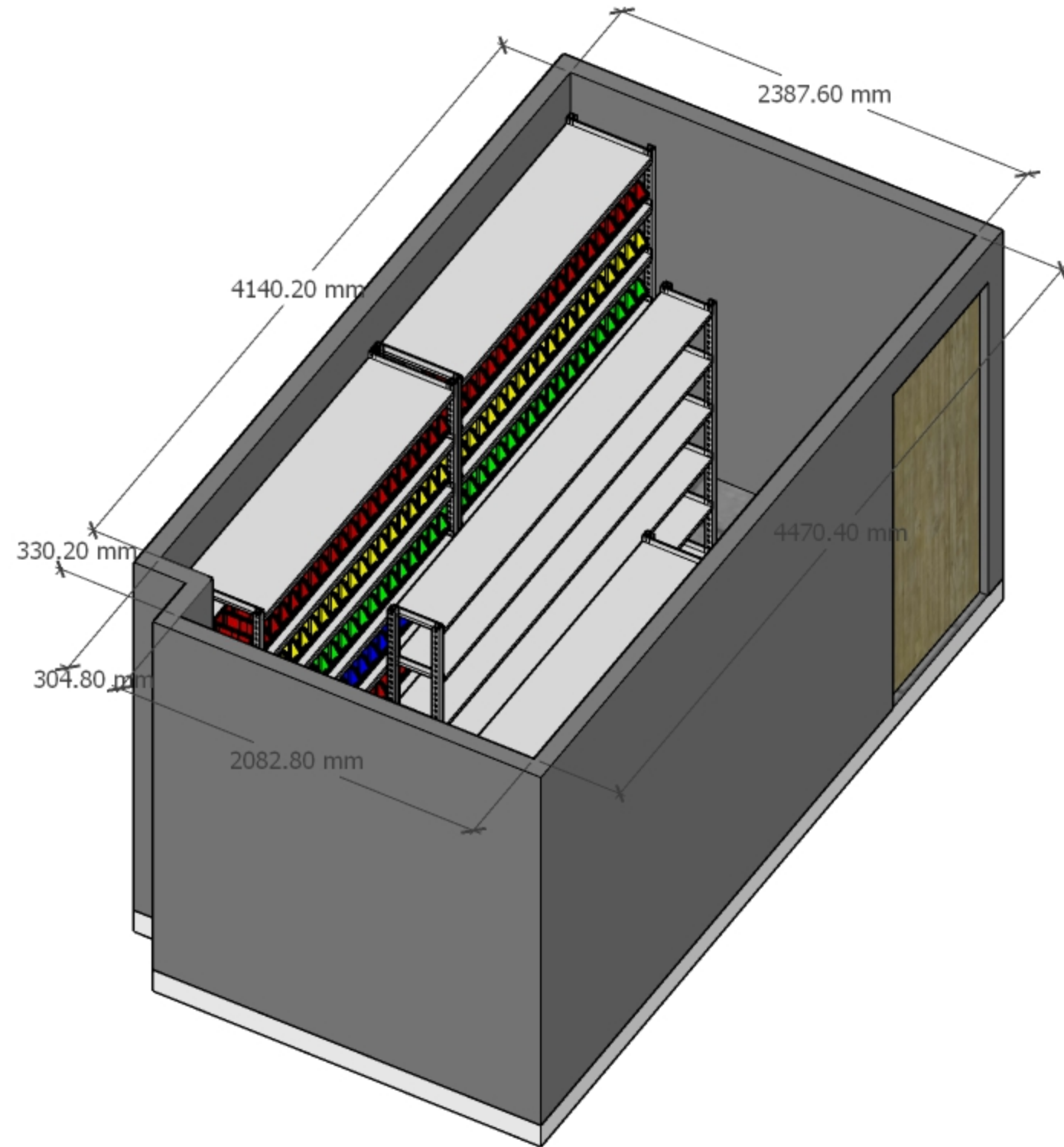








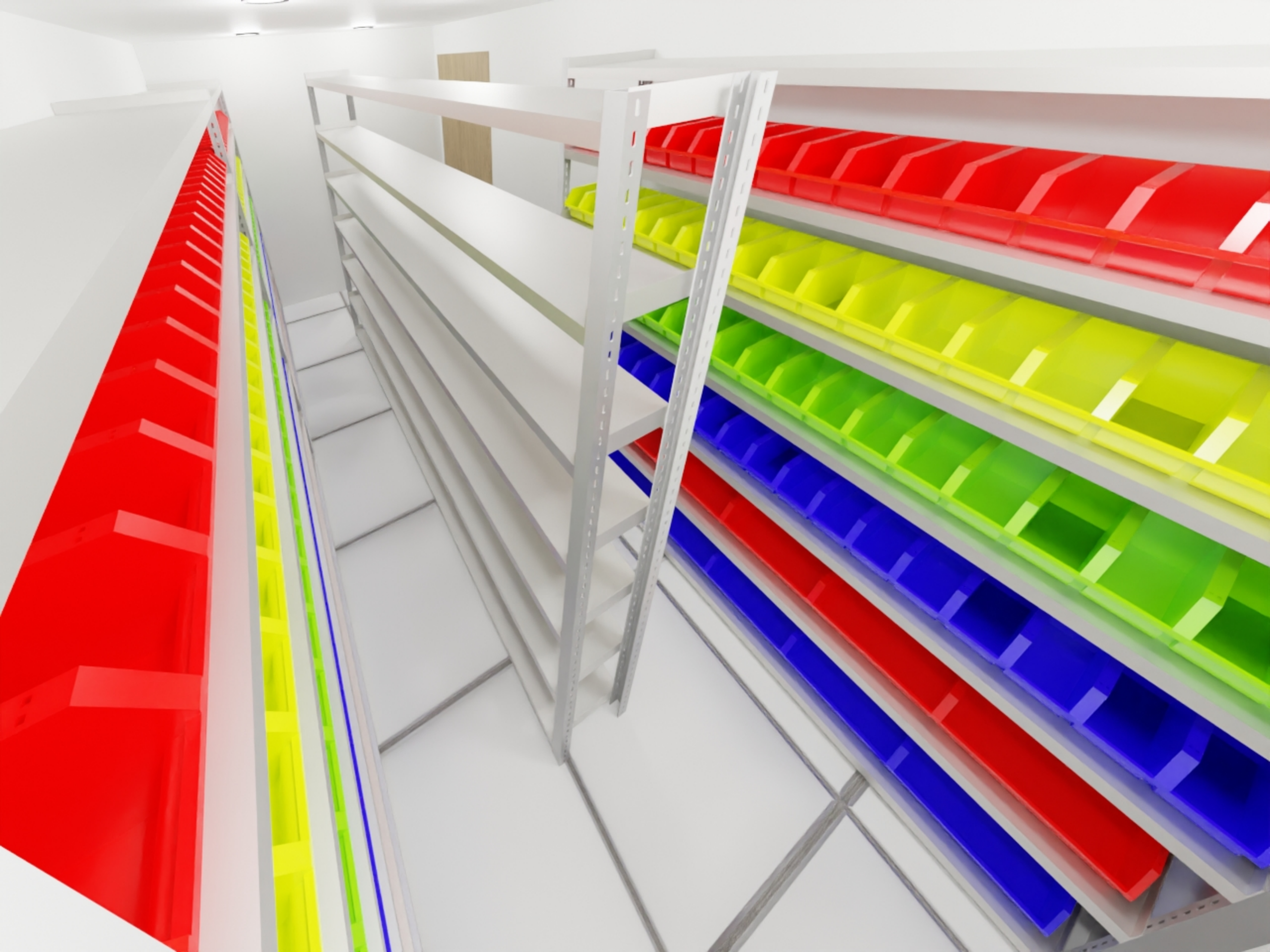














CTC-05 OVERALL SIZE:W4500*D620*H2050MM

